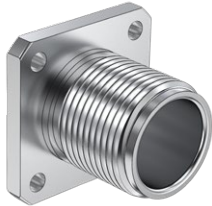


**650-072 650-074
650-073**

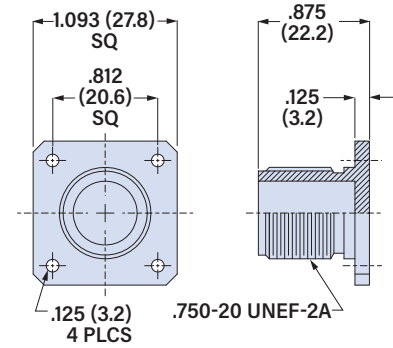
RF CONNECTOR ACCESSORIES

650-072 DUMMY RECEPTACLE FOR TYPE HN COAX RF PLUGS

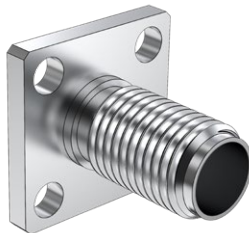


Use dummy storage receptacle to secure and protect unused plugs. 650-072 receptacle accommodates Type HN coaxial plug connectors. Aluminum, stainless steel or brass.

PART NUMBER	
Aluminum 6061-T6	Electroless Nickel 650-072M
	Black Zinc-Nickel 650-072ZR
	Nickel-PTFE 650-072MT
	O. D. Cadmium 650-072NF
303 SST	Passivate 650-072Z1
	Electroless Nickel 650-072ZM
Brass	Electroless Nickel 650-072BM
	White Bronze 650-072WB

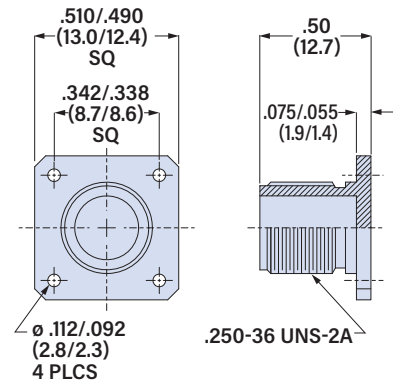


650-073 DUMMY RECEPTACLE FOR SMA COAX RF PLUGS

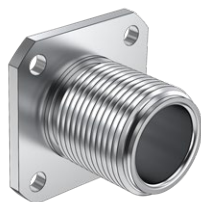


Use dummy storage receptacle to secure and protect unused plugs. 650-073 receptacle accommodates M39012 Series SMA connectors. Aluminum, stainless steel or brass.

PART NUMBER	
Aluminum 6061-T6	Electroless Nickel 650-073M
	Black Zinc-Nickel 650-073ZR
	Nickel-PTFE 650-073MT
	O. D. Cadmium 650-073NF
303 SST	Passivate 650-073Z1
	Electroless Nickel 650-073ZM
Brass	Electroless Nickel 650-073BM
	White Bronze 650-073WB



650-074 DUMMY RECEPTACLE FOR TYPE N COAX RF PLUGS



Use dummy storage receptacle to secure and protect unused plugs. 650-074 receptacle accommodates Type N RF connectors. Aluminum, stainless steel or brass.

PART NUMBER	
Aluminum 6061-T6	Electroless Nickel 650-074M
	Black Zinc-Nickel 650-074ZR
	Nickel-PTFE 650-074MT
	O. D. Cadmium 650-074NF
303 SST	Passivate 650-074Z1
	Electroless Nickel 650-074ZM
Brass	Electroless Nickel 650-074BM
	White Bronze 650-074WB

