



650-076 Dummy Storage Receptacle for MIL-PRF-39012 RF Coax Type BNC Connectors

Basic Number 650-076 = Type BNC	Finish (See Table II)
650-076	NF

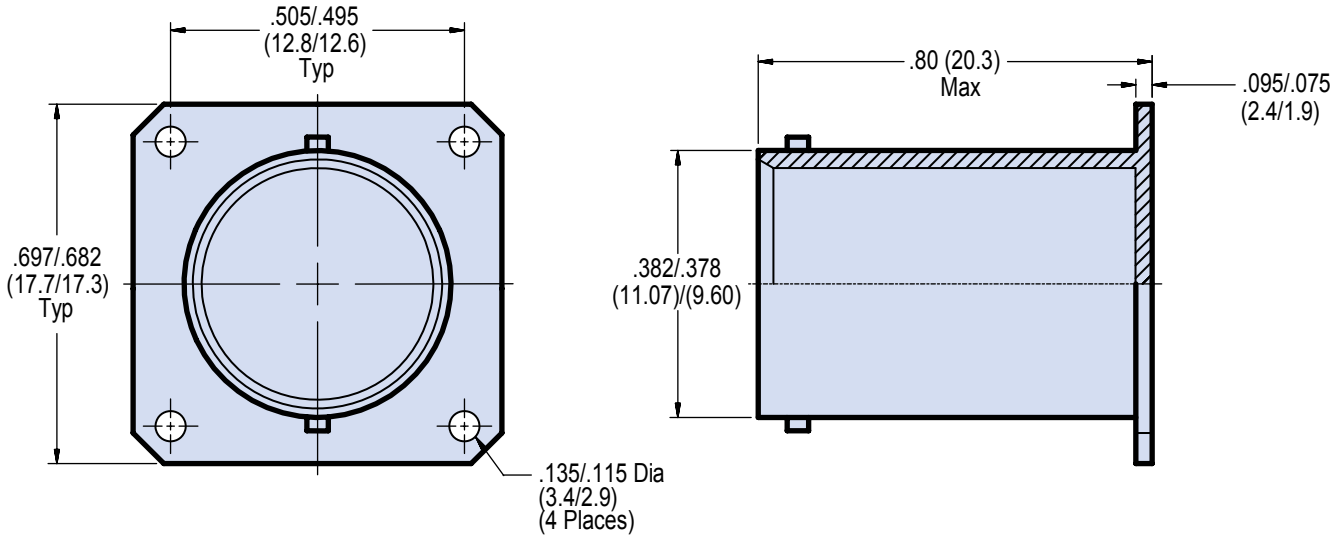


Table II: Materials and Finishes		
Code	Material	Finish
M	Aluminum Alloy 6061-T6	Electroless Nickel
MT		Nickel Fluoropolymer
NF		Cadmium, Olive Drab
ZR		Zinc-Nickel, Black
Z1	303 Stainless Steel	Passivate
BM	Brass	Brass - Electroless Nickel
WB		White Bronze (Non-Magnetic)

- | APPLICATION NOTES |
|---|
| <ol style="list-style-type: none"> 1. Assembly identified with manufacturer's name and part number, space permitting. 2. Material/Finish - See Table II. 3. Metric dimensions (mm) are in parentheses. |