

SERIES 151 MIL-DTL-55116 QPL

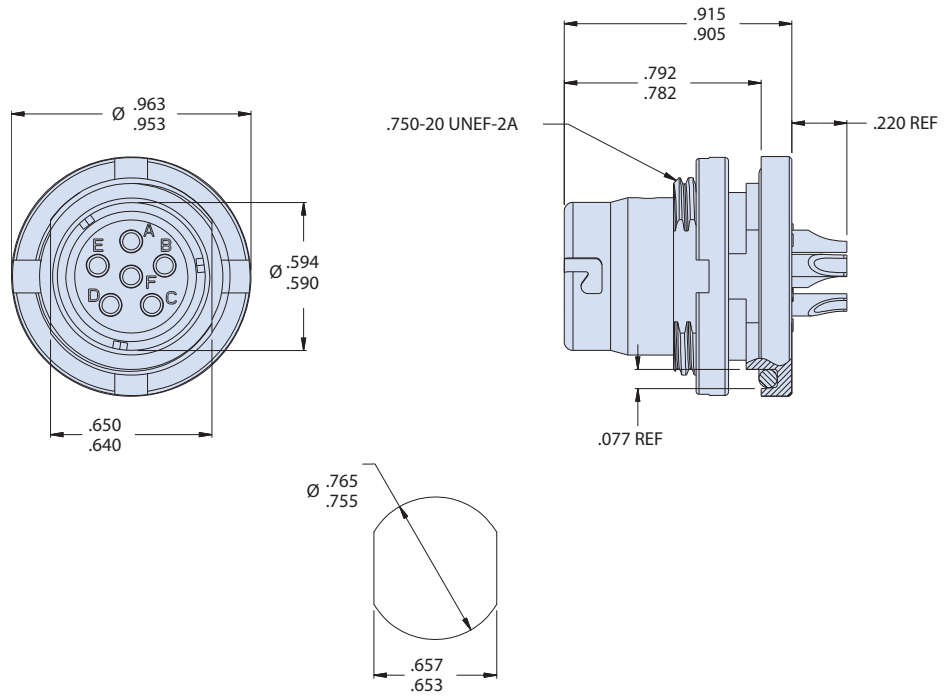
Radio-Mount Jam Nut Audio Receptacle



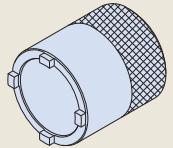
151-003 • M55116/9 - /10 • U-183



Series 151 MIL-DTL-55116 QPL panel mount jam nut receptacles are designed for high-reliability, severe environment communications equipment. They are available in either a 5 pin or 6 pin configuration. Receptacles are equipped with solder cup spring terminals and a jam nut for panel mounting. Shells and nuts are made of passivated stainless steel, contacts are gold plated copper alloy. Receptacle connector contacts are sealed in the unmated condition.

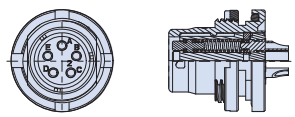


600-196 Spanner Tool

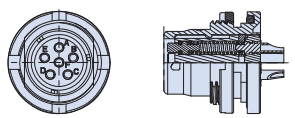


Spanner tool with socket drive attachment for all Series 151 and 152 55116 receptacles

Recommended Panel Hole



**U-183 Jam Nut Receptacle,
5 Solder Cup Contacts**



**U-183 Jam Nut Receptacle,
6 Solder Cup Contacts**

No. of Contacts	Contact Type	MIL SPEC Part Number	Glenair Part Number	Mates With
5	Solder Cup	M55116/9-0	151-003-1	152-001-1 152-001-3 152-002-1 152-002-3 152-005-5 152-006-5 151-001-1 151-001-3 151-002-1 151-002-3
6	Solder Cup	M55116/10-0	151-003-2	152-001-2 152-001-4 152-002-2 152-002-4 152-005-6 152-006-6 151-001-2 151-001-4 151-002-2 151-002-4