

SPRING ACTION
ProSeal™ environmental connector covers
 for USB connectors
 Pressure seal, full environmental

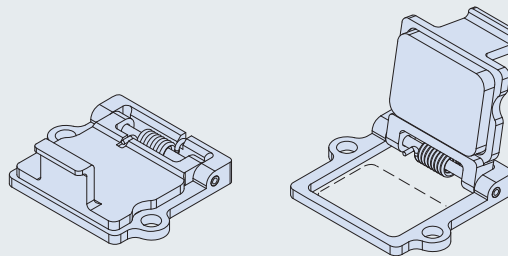


667-431 PROSEAL PROTECTIVE COVER FOR USB CONNECTORS

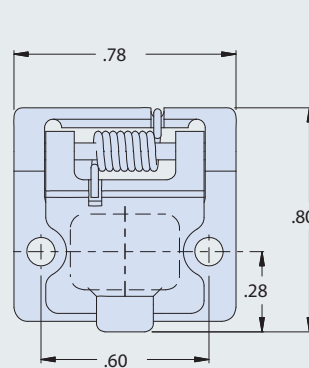


How to Order 667-431			
Sample Part Number	667-431	MT	15
Series	ProSeal protective cover for USB connectors		
Material / Finish	See Table I		
Shell Size	7, 15		

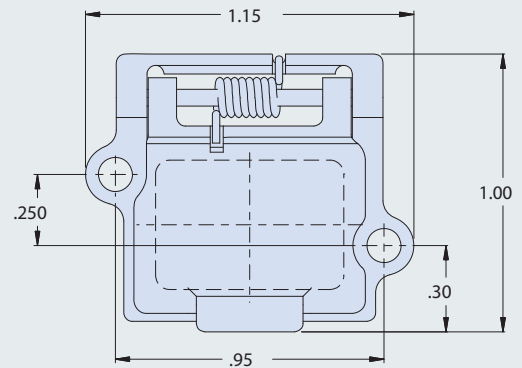
- Pressure seal, full environmental protection
- Positive spring-action in closed position



Shown closed and open



SHELL SIZE 7



SHELL SIZE 15

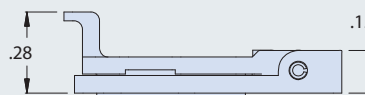


Table I: Material and Finish		
Sym	Material	Finish
MT	Aluminum	Nickel-PTFE
ZR		Zinc-Nickel, Black (Tri-Valent CR)
M		Electroless Nickel
NF		Cad Plate / Olive Drab over Electroless Nickel
C		Anodize / Black
UC		Zinc Cobalt / Black

MATERIAL / FINISH

Cover / Bracket - See Table I
 Spring / Roll Pin - Stainless Steel / Passivate
 Gasket - Silicone