

QPL QUALIFIED

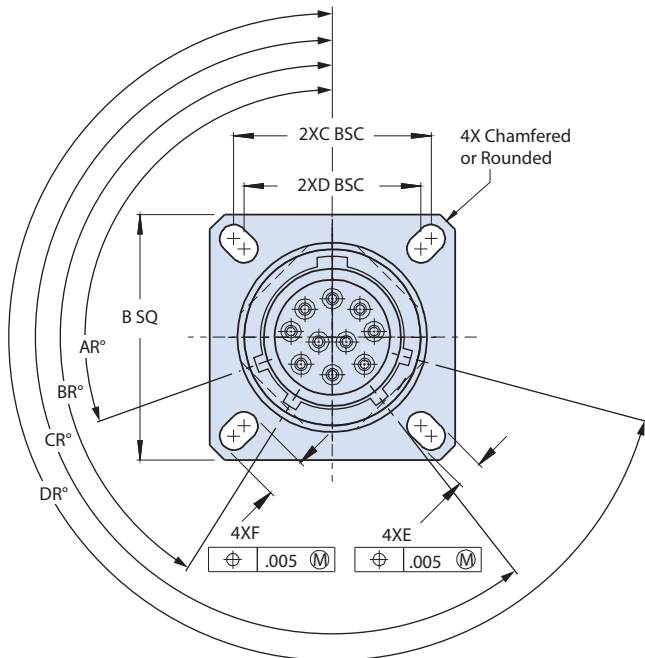
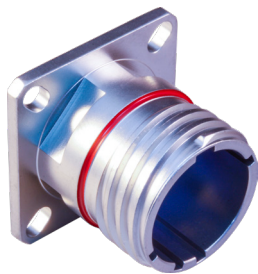
# MIL-DTL-38999 Series III, Triple-Start Thread

## D38999/21 box mount hermetic receptacle

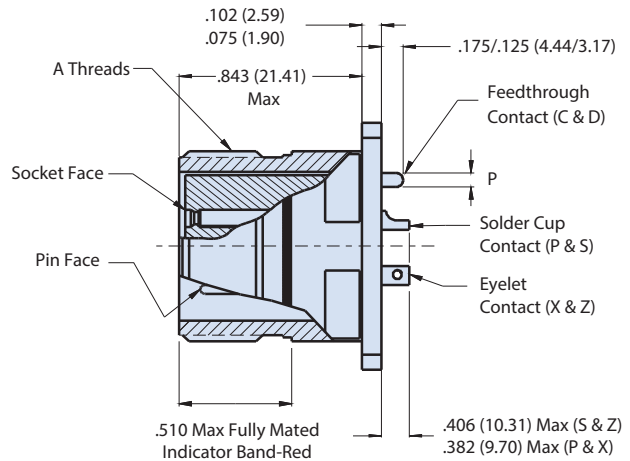


SERIES III HERMETIC

QPL Part Number Development						
Sample Part Number	D38999/21	Y	B	35	P	N
MIL-DTL-38999	D38999/21 = Box mount receptacle					
Class	N = Hermetic, CRES, nickel finish, conductive, -65°C to 200°C Y = Hermetic, CRES, passivate finish, conductive, -65°C to 200°C H = Hermetic, CRES, passivate finish, conductive, -65°C to 200°C (space grade)					
Shell Size Code	A, B, C, D, E, F, G, H and J (per MIL-STD-1560)					
Insert Arrangement	Per MIL-STD-1560; See reference information section for details					
Contact Type	P = Pin, solder cup S = Socket, solder cup		X = Pin, eyelet Z = Socket, eyelet		C = Pin, PCB flex feedthrough D = Socket, PCB flex feedthrough	
Alternate Polarization	A, B, C, D, E, N = Normal					



Contact Size		
Size	ø P	
22D	.015 (0.38)	FEEDTHROUGH CONTACT STYLE C AND D
	.011 (0.28)	
20	.028 (0.71)	SIZE 12 AND SIZE 16
	.024 (0.61)	
16	.0635 (1.61)	SIZE 22D AND SIZE 20
	.0615 (1.56)	
12	.095 (2.41)	
	.093 (2.36)	



**NOTES**

- The 239-204 and AS85049/130 have the same dimensions
- Basic Specification D38999 "Flange gasket not provided with connector. Use gasket 239-204 and select appropriate material"

Wire Accommodation	
Contact Size	Wire Gauge
22D	#22 - #28
20	#20 - #24
16	#16 - #20
12	#12 - #14

# COTS EQUIVALENT MIL-DTL-38999 Series III, Triple-Start Thread 233-100-H2 box mount hermetic receptacle



SERIES III HERMETIC

COTS Part Number Development						
Sample Part Number	233-100-H2	Z1	11	-35	P	N
Series / Basic Part No.	233-100-H2 = Hermetic, box mount receptacle					
Material/Finish*	ZL = CRES, nickel finish, conductive, -65°C to 200°C Z1 = CRES, passivate finish, conductive, -65°C to 200°C Z1S = Hermetic, CRES, passivate finish, conductive, -65°C to 200°C (space grade)					
Shell Size	9, 11, 13, 15, 17, 19, 21, 23, 25					
Insert Arrangement	Per MIL-STD-1560; See reference information section for details					
Contact Type	P = Pin, solder cup S = Socket, solder cup		X = Pin, eyelet Z = Socket, eyelet		C = Pin, PCB flex feedthrough D = Socket, PCB flex feedthrough	
Alternate Polarization	A, B, C, D, E, N (Normal),					

Additional material/finish options are available, consult factory for ordering information.

Dimensions							
Shell Size Code	Shell Size	A Thread .1P-.3L-TS-2A	B Sq ±.012	C Bsc	D Bsc	E ±.008	F ±.008
A	9	.6250	.937 (23.80)	.719 (18.26)	.594 (15.09)	.128 (3.25)	.216 (5.49)
B	11	.7500	1.031 (26.19)	.812 (20.62)	.719 (18.26)	.128 (3.25)	.194 (4.93)
C	13	.8750	1.126 (28.60)	.906 (23.01)	.812 (20.62)	.128 (3.25)	.194 (4.93)
D	15	1.0000	1.220 (30.99)	.969 (24.61)	.906 (23.01)	.173 (4.39)	.173 (4.39)
E	17	1.1875	1.311 (33.30)	1.062 (26.97)	.969 (24.61)	.128 (3.25)	.194 (4.93)
F	19	1.2500	1.437 (36.50)	1.156 (29.36)	1.062 (26.97)	.128 (3.25)	.194 (4.93)
G	21	1.3750	1.563 (39.70)	1.250 (31.75)	1.156 (29.36)	.128 (3.25)	.194 (4.93)
H	23	1.5000	1.689 (42.90)	1.375 (34.92)	1.250 (31.75)	.154 (3.91)	.242 (6.15)
J	25	1.6250	1.811 (46.00)	1.500 (38.10)	1.375 (34.92)	.150 (3.81)	.242 (6.15)

Series III Alternate Keyway Polarizations																				
Shell Size Code	Shell Size	Key and Keyway ID Letter	AR° BSC	BR° BSC	CR° BSC	DR° BSC	Shell Size Code	Shell Size	Key and Keyway Code	AR° BSC	BR° BSC	CR° BSC	DR° BSC	Shell Size Code	Shell Size	Key and Keyway ID Letter	AR° BSC	BR° BSC	CR° BSC	DR° BSC
A	9	N	105	140	215	265	B C D	11 13 15	N	95	141	208	236	E F G H J	17 19 21 23 25	N	80	142	196	293
		A	102	132	248	320			A	113	156	182	292			A	135	170	200	310
		B	80	118	230	312			B	90	145	195	252			B	49	169	200	244
		C	35	140	205	275			C	53	156	220	255			C	66	140	200	257
		D	64	155	234	304			D	119	146	176	298			D	62	145	180	280
		E	91	131	197	240			E	51	141	184	242			E	79	153	197	272

Additional Material/Finish Options	
Finish Code	Description
Z1S†	CRES, passivate finish, conductive, -65°C to 200°C, space-grade

† Connectors ordered with "Z1S" include outgas processing to conform to outgassing requirements of Class H.