

233-105 Crimp contact series with accessory threads

How To Order - 233-105							
Sample Part Number	233-105	-20	NF	17-8	P	N	-LC
Series / Basic Part No.	MIL-DTL-38999 Series III Environmental Connector						
Connector Style	20 = Wall mount receptacle 24 = Jam nut receptacle 26 = Plug						
Material and Finish	See Table I						
Shell Size-Insert Arrangement	Per MIL-STD-1560						
Contact Type	P = Pin, 500 cycles A = Pin insert, less standard contacts			S = Socket, 500 cycles B = Socket insert, less standard contacts			
Alternate Polarization	A, B, C, D, E, N = Normal						
Mod Code for Less Contacts	Connector marked with P or S according to insert but supplied less contacts						

Table I: Material and Finish				
38999	233-105	Material	Finish Description	RoHS
F	ME	Aluminum	Electroless nickel (48 hr. salt spray)	☑
G	MA		Space-grade electroless nickel, matte (48 hr. salt spray)	☑
T	MT		Ni-PTFE	☑
W	NF		Cadmium O.D. over electroless nickel (500 hr. salt spray)	☒
Z*	ZR		Black zinc-nickel over electroless nickel	☑
*qualification pending				

Connector Mating and Accessory Thread Dimensions			
Shell Size Code	Shell Size	A Thread	J Thread
A	9	.6250-.1P-.3L-TS-2A	M12 X 1.0-6g 0.100R
B	11	.7500-.1P-.3L-TS-2A	M15 X 1.0-6g 0.100R
C	13	.8750-.1P-.3L-TS-2A	M18 X 1.0-6g 0.100R
D	15	1.0000-.1P-.3L-TS-2A	M22 X 1.0-6g 0.100R
E	17	1.1875-.1P-.3L-TS-2A	M25 X 1.0-6g 0.100R
F	19	1.2500-.1P-.3L-TS-2A	M28 X 1.0-6g 0.100R
G	21	1.3750-.1P-.3L-TS-2A	M31 X 1.0-6g 0.100R
H	23	1.5000-.1P-.3L-TS-2A	M34 X 1.0-6g 0.100R
J	25	1.6250-.1P-.3L-TS-2A	M37 X 1.0-6g 0.100R

Wire Accommodation	
Contact Size	Wire Gauge
23	#22 - #28
22D	#22 - #28
20	#20 - #24
16	#16 - #20
12	#12 - #14

NOTES

- 233-105 is designed to meet or exceed the mechanical, electrical, environmental and dimensional requirements of D38999/20, /24 & /26.
- Insert arrangements IAW MIL-STD-1560, Glenair HD and size #8 shielded contact insert arrangements available only in COTS series
- Blue color band indicates rear release retention system.
- Connector is supplied with contacts (including spares), insertion/removal tool and sealing plugs.
- Dimensions in inches (millimeters) are subject to change without notice
- Consult factory for additional information

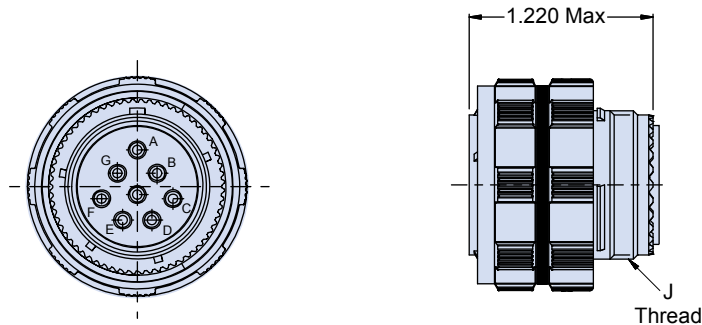
MIL-DTL-38999 Series III Environmental connectors

D38999/20, /24, /26 Crimp contact series



How To Order - Mil-Spec							
Sample Part Number	D38999/	20	W	A	35	P	N
Series / Basic Part No.	MIL-DTL-38999 Series III Environmental Connector						
Connector Style	20 = Wall mount receptacle 24 = Jam nut receptacle 26 = Plug						
Class (Material and Finish)	See Table I						
Shell Size Code	A, B, C, D, E, F, G, H and J (per MIL-STD-1560)						
Insert Pattern	See pages 4–9 (per MIL-STD-1560)						
Contact Type	P = Pin, 500 cycles A = Pin insert, less standard contacts			S = Socket, 500 cycles B = Socket insert, less standard contacts			
Alternate Polarization	A, B, C, D, E, N = Normal						

PLUG WITH ACCESSORY THREADS



JAM NUT RECEPTACLE AND WALL MOUNT RECEPTACLE

