

ENVIRONMENTAL, MICRO MINIATURE CIRCULAR

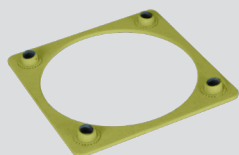
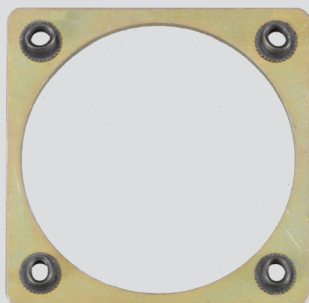
Series 806

Mil-Aero Connectors

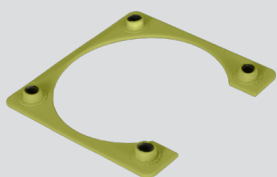
480-003 Nut Plates



480-003 NUT PLATES



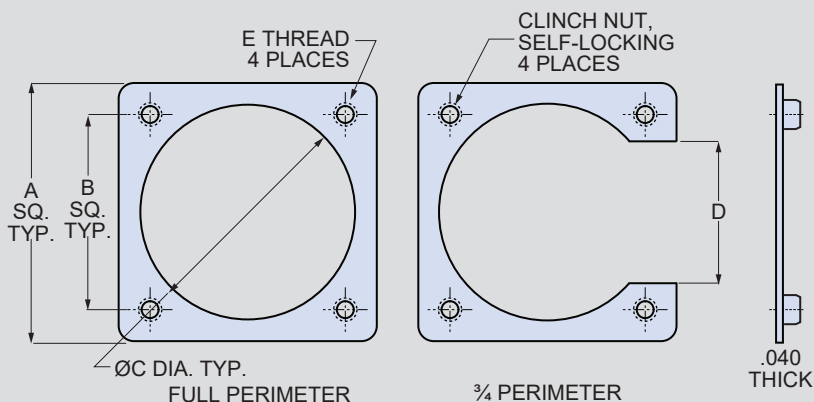
1 Full perimeter nut plate. Assemble over wires before connector termination. Shown with epoxy primer coating.



2 3/4 perimeter nut plate for installation on pre-wired assemblies. Shown with epoxy primer coating.

Nut plates speed up connector installation and eliminate dropped hardware in hard-to-reach locations. For use with Series 806 square flange panel mount connectors. Two styles: full perimeter and 3/4 perimeter. Install full perimeter plate over wires before terminating the connector. 3/4 perimeter version can be installed on wired connectors. Aluminum plate with self-locking stainless steel female clinch nuts. Plate is coated with chem film per MIL-DTL-5541 Class 1A, or, for maximum corrosion protection choose epoxy primer coating.

How To Order					
SAMPLE PART NUMBER	480-003	E	12	B	
Product	480-003 = Nut Plate for Series 806 Receptacles				
Finish	E = Chem film EAP = Epoxy primer coating				
Shell Size	8 9 10 11 12 14 16 18 20 22 24				
Style	A = full perimeter (Fig. 1) B = 3/4 perimeter (Fig. 2)				
Clinch Nut Thread Size	Omit = standard UNC threads M = metric threads				



Construction

- Plate: aluminum alloy
- Code E finish: chemical conversion coating per MIL-DTL-5541 Class 1A
- Code EAP finish: epoxy primer per MIL-PRF-23377 Type 1
- Clinch nuts: stainless steel, passivated

Shell Size	A Typ		B		ϕC		D		E	
	In.	mm.	In.	mm.	In.	mm.	In.	mm.	UNC	Metric
7	.740	18.80	.469	11.91	.433	11.00	.201	5.11	4-40	M3 x 0.5
8	.812	20.62	.531	13.49	.494	12.54	.263	6.68	4-40	M3 x 0.5
9	.875	22.23	.594	15.09	.562	14.27	.326	8.28	4-40	M3 x 0.5
10	.903	22.94	.625	15.88	.630	16.00	.357	9.07	4-40	M3 x 0.5
11	.950	24.13	.670	17.02	.697	17.70	.402	10.21	4-40	M3 x 0.5
12	1.028	26.11	.765	19.43	.753	19.13	.497	12.62	4-40	M3 x 0.5
14	1.123	28.52	.859	21.82	.875	22.23	.591	15.01	4-40	M3 x 0.5
16	1.217	30.91	.938	23.83	1.000	25.40	.670	17.02	4-40	M3 x 0.5
18	1.308	33.22	1.016	25.81	1.110	28.19	.748	19.00	4-40	M3 x 0.5
20	1.434	36.42	1.109	28.17	1.260	32.00	.789	20.04	6-32	M4 x 0.7
22	1.560	39.62	1.203	30.56	1.385	35.18	.883	22.43	6-32	M4 x 0.7
24	1.686	42.82	1.312	33.32	1.510	38.35	.992	25.20	6-32	M4 x 0.7