

Connettore da riposo *Dummy Receptacle*

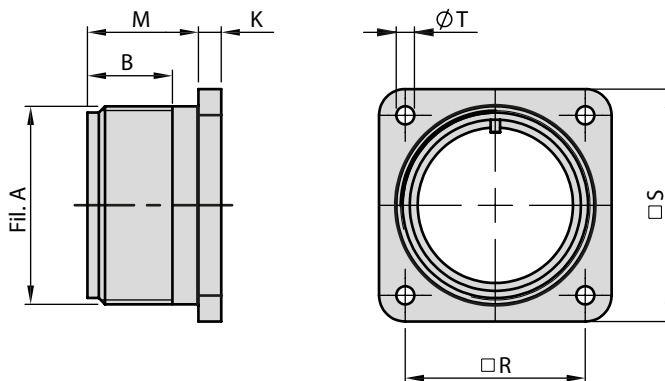
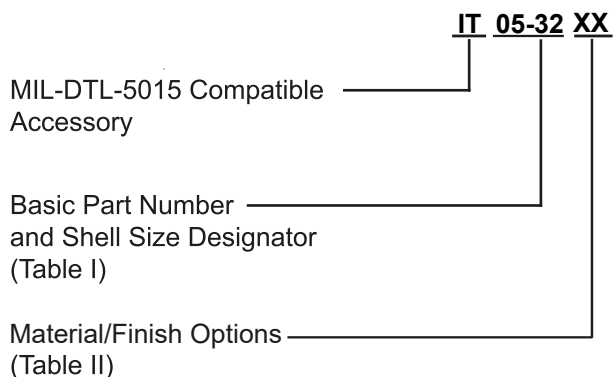


TABLE I: DIMENSIONS

Connector Size	A Thread	B min.	M +0.2 0	K ±0.2	ØT +0.1 0	R ±0.1	S ±0.2
10SL	0.6250 - 24UNEF	11	14.3	2.8	3.2	18.25	25.4
12S	0.7500 - 20UNEF	11	14.3	2.8	3.2	20.6	27.8
12	0.7500 - 20UNEF	16	19.1	2.8	3.2	20.6	27.8
14S	0.8750 - 20UNEF	11	14.3	3.3	3.2	23.0	30.0
14	0.8750 - 20UNEF	16	19.1	3.3	3.2	23.0	30.0
16S	1.0000 - 20UNEF	11	14.3	3.3	3.2	24.6	32.5
16	1.0000 - 20UNEF	16	19.1	3.3	3.2	24.6	32.5
18	1.1250 - 18UNEF	16	19.1	4.0	3.2	27.0	35.0
20	1.2500 - 18UNEF	16	19.1	4.0	3.2	29.4	38.0
22	1.3750 - 18UNEF	16	19.6	4.0	3.2	31.75	41.0
24	1.5000 - 18UNEF	17	20.6	4.0	3.7	34.9	44.5
28	1.7500 - 18UNS	17	20.0	4.0	3.7	39.7	50.9
32	2.0000 - 18UNS	17	22.3	4.0	4.3	44.45	57.0
36	2.2500 - 16UN	17	22.3	4.0	4.3	49.2	63.5
40	2.5000 - 16UN	17	22.3	4.0	4.3	55.5	69.9

TABLE II

ALUMINUM FINISH OPTIONS (*)	
Sym	Description
F2	Bright Nickel Plating
F6	Black Electrodeposited Paint
F7	Black Zinc Nickel
F8	Olive Drab Zinc Nickel
Omit for standard version (Cadmium Olive Drab Finish)	
MATERIAL OPTIONS	
FK	Stainless Steel
MB	Marine Bronze

(*) For further finish options, please contact the factory.

Connettore da riposo *Dummy Receptacle*

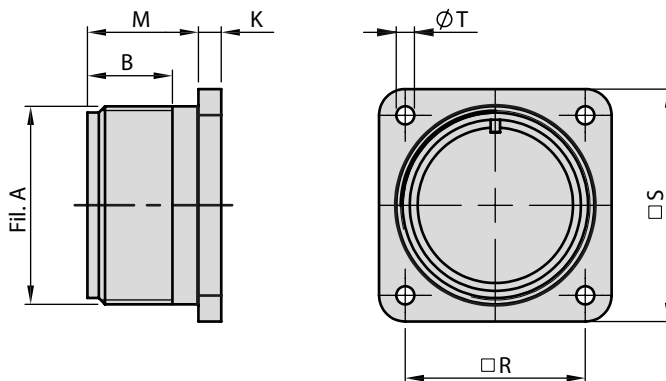
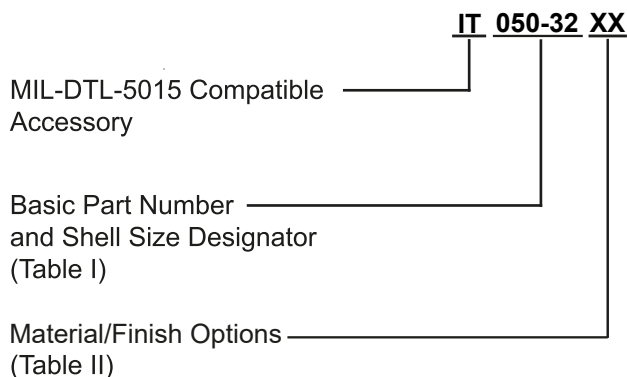


TABLE I: DIMENSIONS

Connector Size	A Thread	B min.	M +0.2 0	K ±0.2	ØT +0.1 0	R ±0.1	S ±0.2
10SL	0.6250 - 24UNEF	11	14.3	2.8	3.2	18.25	25.4
12S	0.7500 - 20UNEF	11	14.3	2.8	3.2	20.6	27.8
12	0.7500 - 20UNEF	16	19.1	2.8	3.2	20.6	27.8
14S	0.8750 - 20UNEF	11	14.3	3.3	3.2	23.0	30.0
14	0.8750 - 20UNEF	16	19.1	3.3	3.2	23.0	30.0
16S	1.0000 - 20UNEF	11	14.3	3.3	3.2	24.6	32.5
16	1.0000 - 20UNEF	16	19.1	3.3	3.2	24.6	32.5
18	1.1250 - 18UNEF	16	19.1	4.0	3.2	27.0	35.0
20	1.2500 - 18UNEF	16	19.1	4.0	3.2	29.4	38.0
22	1.3750 - 18UNEF	16	19.6	4.0	3.2	31.75	41.0
24	1.5000 - 18UNEF	17	20.6	4.0	3.7	34.9	44.5
28	1.7500 - 18UNS	17	20.0	4.0	3.7	39.7	50.9
32	2.0000 - 18UNS	17	22.3	4.0	4.3	44.45	57.0
36	2.2500 - 16UN	17	22.3	4.0	4.3	49.2	63.5
40	2.5000 - 16UN	17	22.3	4.0	4.3	55.5	69.9

TABLE II

ALUMINUM FINISH OPTIONS (*)	
Sym	Description
F2	Bright Nickel Plating
F6	Black Electrodeposited Paint
F7	Black Zinc Nickel
F8	Olive Drab Zinc Nickel
Omit for standard version (Cadmium Olive Drab Finish)	
MATERIAL OPTIONS	
FK	Stainless Steel
MB	Marine Bronze

(*) For further finish options, please contact the factory.