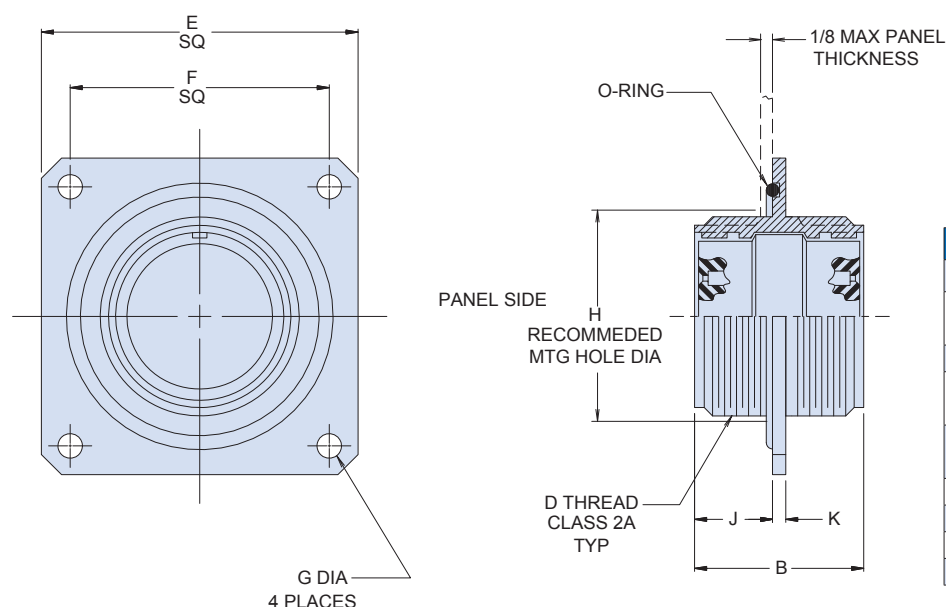


How To Order 947-041

Sample Part Number	947-041	M	18-11	P	X
Series / Basic Part No.	MIL-DTL-5015 type bulkhead feed-thru, panel mount				
Finish	See Table II				
Shell Size - Insert Arrangement*	Per Table I and MIL-C-5015				
Contact Style	P = Pins S = Sockets PS = Pin on panel side / socket opposite SP = Socket on panel side / pin opposite				
Alternate Polarization	W, X, Y, Z (omit for normal). Insert rotates in relation to master key				



Sym	Material	Finish
B	Al Alloy	Cadmium Plate / Olive Drab
M		Electroless Nickel
N		Cad Plate / Olive Drab over Nickel Plate
NF		Cad / O.D. over Electroless Nickel (500 hr. Salt Spray)
ZU	SST	Black Cad / Nickel Strike
ZW		Olive Drab Cad / Nickel
Z1		Passivated
ZL		Electrodeposited Nickel

Table I

Shell Size	B Max	D Thread Class 2A	E Dim ± .031	F Dim ± .005	G Dia. +.010/- .000	H Dia. +.010/- .000	J ± .015	K ± .015
8S	1.750 (44.5)	1/2-28 UNEF	0.875 (22.2)	0.594 (15.1)	0.120 (3.0)	0.510 (13.0)	0.578 (14.7)	0.083 (2.1)
10SL	1.750 (44.5)	3/8-24 UNEF	1.000 (25.4)	0.719 (18.3)	0.120 (3.0)	0.635 (16.1)	0.578 (14.7)	0.083 (2.1)
12S	1.750 (44.5)	3/4-20 UNEF	1.094 (27.8)	0.812 (20.6)	0.120 (3.0)	0.760 (19.3)	0.578 (14.7)	0.083 (2.1)
12	2.125 (54.0)	3/4-20 UNEF	1.094 (27.8)	0.812 (20.6)	0.120 (3.0)	0.760 (19.3)	0.800 (20.3)	0.083 (2.1)
14S	1.750 (44.5)	7/8-20 UNEF	1.188 (30.2)	0.906 (23.0)	0.120 (3.0)	0.885 (22.5)	0.578 (14.7)	0.083 (2.1)
14	2.125 (54.0)	7/8-20 UNEF	1.188 (30.2)	0.906 (23.0)	0.120 (3.0)	0.885 (22.5)	0.800 (20.3)	0.083 (2.1)
16S	1.750 (44.5)	1-20 UNEF	1.281 (32.5)	0.969 (24.6)	0.120 (3.0)	1.010 (25.7)	0.578 (14.7)	0.083 (2.1)
16	2.125 (54.0)	1-20 UNEF	1.281 (32.5)	0.969 (24.6)	0.120 (3.0)	1.010 (25.7)	0.800 (20.3)	0.083 (2.1)
18	2.125 (54.0)	1 1/8-18 UNEF	1.375 (34.9)	1.062 (27.0)	0.120 (3.0)	1.135 (28.8)	0.800 (20.3)	0.100 (2.5)
20	2.125 (54.0)	1 1/4-18 UNEF	1.500 (38.1)	1.156 (29.4)	0.120 (3.0)	1.260 (32.0)	0.800 (20.3)	0.100 (2.5)
22	2.125 (54.0)	1 3/8-18 UNEF	1.625 (41.3)	1.250 (31.8)	0.120 (3.0)	1.385 (35.2)	0.800 (20.3)	0.100 (2.5)
24	2.125 (54.0)	1 1/2-18 UNEF	1.750 (44.5)	1.375 (34.9)	0.147 (3.7)	1.510 (38.4)	0.800 (20.3)	0.100 (2.5)
28	2.125 (54.0)	1 3/4-18 UNS	2.000 (50.8)	1.562 (39.7)	0.147 (3.7)	1.760 (44.7)	0.820 (20.8)	0.100 (2.5)
32	2.125 (54.0)	2-18 UNS	2.250 (57.2)	1.750 (44.5)	0.173 (4.4)	2.010 (51.1)	0.800 (20.3)	0.100 (2.5)
36	2.125 (54.0)	2 1/4-16 UNS	2.500 (63.5)	1.938 (49.2)	0.173 (4.4)	2.260 (57.4)	0.880 (22.4)	0.125 (3.2)
40	2.125 (54.0)	2 1/2-16 UN	2.750 (69.9)	2.188 (55.6)	0.173 (4.4)	2.510 (63.8)	0.880 (22.4)	0.125 (3.2)
44	2.125 (54.0)	2 3/4-16 UN	3.000 (76.2)	2.438 (61.9)	0.173 (4.4)	2.760 (70.1)	0.880 (22.4)	0.125 (3.2)
48	2.125 (54.0)	3-16 UN	3.250 (82.6)	2.688 (68.3)	0.173 (4.4)	3.010 (76.5)	0.880 (22.4)	0.125 (3.2)

NOTES

Assembly identified with manufacturer's name and P/N, space permitting

MATERIAL/FINISH

Shell - See Table II
 Contacts - Copper alloy / gold plate
 Insulators, Spacer - High-grade rigid dielectric
 O-rings & seals - Silicone