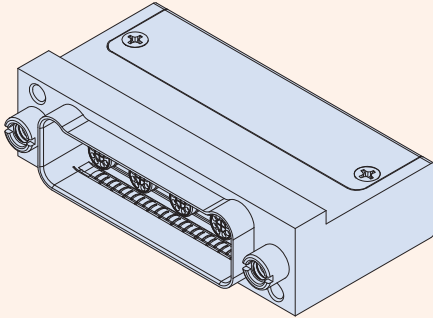


SERIES 792

High-Speed Ultraminiature Rectangular Connectors



792-010P El Ochito® Right Angle PCB Receptacle Connectors 90° PC Tail Ochito Octaxial Contacts



Ultraminiature. High-speed. Right Angle Board Mount. Series 792 connectors are intended for 10Gb Ethernet, USB 3.0 and other multi-gigabit protocols. 792-010P connectors feature 90° Ochito octaxial PCB tail contacts, machined aluminum shells and environmental protection. Scoop-proof interface for problem-free service. Military-grade performance and construction.

Technical Data

Specifications

- Operating temperature: -65 to +125 °C
- Current rating, size 23 contact: 5A
- Current rating, Ochito contacts: 1.5A
- Voltage rating (DWV): 500 Vac
- Shock: EIA-364-27 condition D
- Vibration: EIA-364-28 condition V, letter E
- Insulation Resistance: 5000 MΩ min.
- Shell-to-shell resistance with EMI spring: 2.5 mΩ max.
- Altitude immersion: 75,000 feet

Construction

- Shell: aluminum alloy
- Metal insert: aluminum, nickel plated
- Insulators: high-grade rigid dielectric
- Interfacial seal: fluorosilicone blend
- Contacts: copper alloy, 50 microinches gold over nickel plating
- EMI spring: copper alloy, nickel plated
- Potting Compound: epoxy
- EMI cover: aluminum, same finish as shell
- Hardware: 300 series SST, passivated

How To Order

	Sample Part Number → 792-010P	D-4P4	MT	E	N	AA
Product	792-010P = Right Angle PCB Receptacle, Ochito Pin Contacts.					
Insert Arrangement	See Table 2					
Shell Finish	M = Electroless Nickel MT = Nickel-PTFE					
EMI Spring	E = EMI spring N = No EMI spring					
Mating Hardware (Table 1)	N = No Hardware P = Jackposts B = Guide Bushings					
El Ochito® Protocol Code	See Table 3					

Table 1 Hardware Option

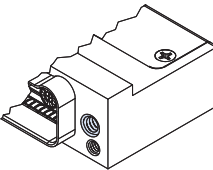
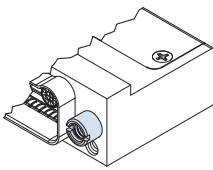
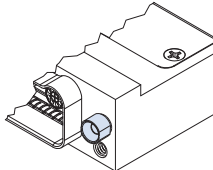
 N No Hardware Blind tapped holes	 P Jackposts 8-32 UNC-2B thread	 B Female Guide Bushings Non-removable
---	--	--

Table 2 Insert Arrangements

Insert arrangement	Number of Contacts		Insert arrangement	Number of Contacts	
	#23	#8		#23	#8
A-1P1, A-1G1*		1	C-9P3	6	3
A-3P1	2	1	D-27P3	24	3
B-23P1	22	1	D-4P4, D-4G4*		4
B-2P2, B-2G2*		2	D-12P4	8	4
B-6P2	4	2	E-45P3	42	3
C-24P2	22	2	E-5P5, E-5G5*		5
C-3P3, C-3G3*		3	E-15P5	10	5

Cavity identification numbers shown are for mating face of plug connectors with socket contacts.

* Insert arrangements with "G" designator are grounded type with metal insert. Insert arrangements with "P" designator have thermoplastic dielectric.

SERIES 792

High-Speed Ultraminiature Rectangular Connectors



792-010P El Ochito® Right Angle PCB Receptacle Connectors 90° PC Tail Ochito Octaxial Contacts

Ochito Protocols



WHITE
10GBASE-T



BLUE
USB 3.0



RED
HDMI, SATA,
DisplayPort

The Ochito octaxial contact has a color-coded insulator signifying the data protocol. White is used for 10 Gb Ethernet, blue is used for USB 3.0, and red is used for multi gigabit 100 ohm protocols including HDMI, DisplayPort and SATA. The connector part number includes a protocol code from Table 3. This code enables combinations of these protocols.

Table 3 Protocol Code

Code AA



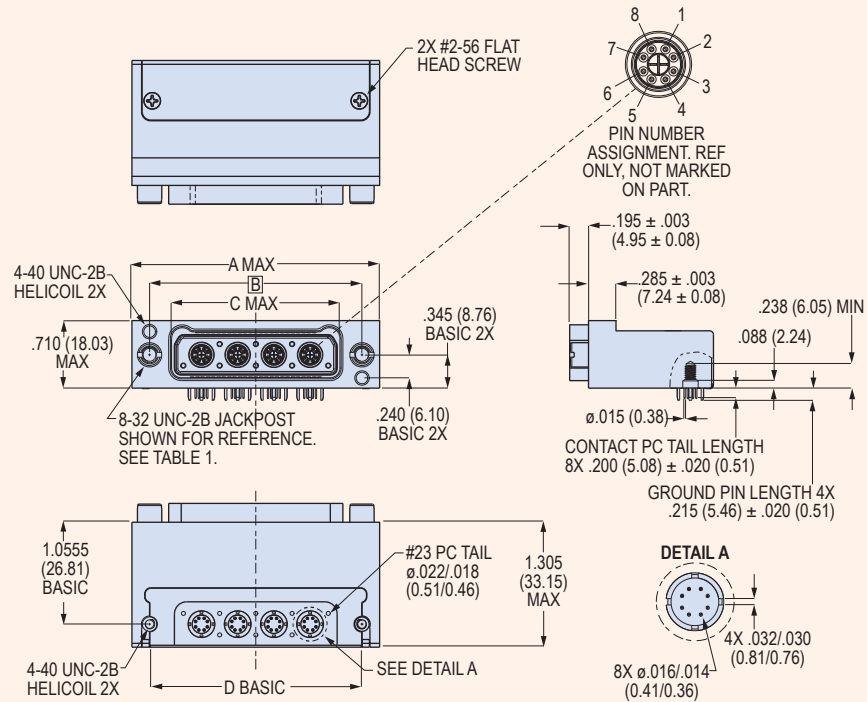
Code AH



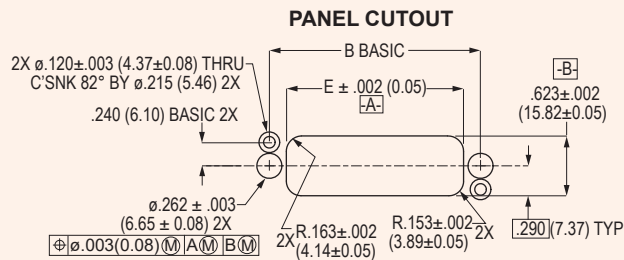
Code	Cavity				
	A1	A2	A3	A4	A5
AA	W	W	W	W	W
AB	B	W	W	W	W
AC	R	W	W	W	W
AD	B	B	W	W	W
AE	R	B	W	W	W
AF	R	R	W	W	W
AG	B	B	B	W	W
AH	R	B	B	W	W
AJ	R	R	B	W	W
AK	R	R	R	W	W
AL	B	B	B	B	W
AM	R	B	B	B	W
AN	R	R	B	B	W
AP	R	R	R	B	W
AQ	R	R	R	R	W
AR	B	B	B	B	B
AS	R	B	B	B	B
AT	R	R	B	B	B
AV	R	R	R	B	B
AW	R	R	R	R	B
AX	R	R	R	R	R

792-010P Dimensions

Shell Size	A Max		B Basic		C Max		D Basic		E ±.002 (0.05)	
	In.	mm.	In.	mm.	In.	mm.	In.	mm.	In.	mm.
A	1.455	36.96	1.075	27.31	.690	17.53	1.075	27.31	.725	18.42
B	1.830	46.48	1.450	36.83	1.065	27.05	1.450	36.83	1.100	27.94
C	2.205	56.01	1.825	46.36	1.440	36.58	1.825	46.36	1.475	37.47
D	2.580	65.53	2.200	55.88	1.815	46.10	2.200	55.88	1.850	46.99
E	2.955	75.06	2.575	65.41	2.190	55.63	2.575	65.41	2.225	56.52



792-010P Panel Cutout



SERIES 792

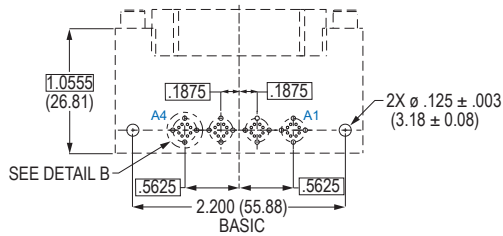
High-Speed Ultraminiature Rectangular Connectors



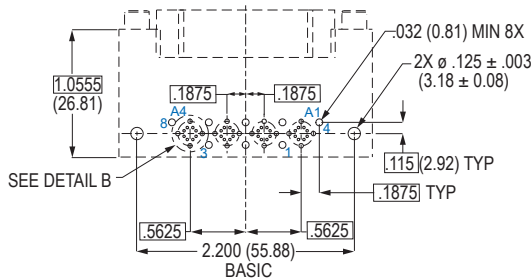
792-010P El Ochito® Right Angle PCB Receptacle Connectors 90° PC Tail Ochito Octaxial Contacts

792-010P Printed Circuit Board Layouts

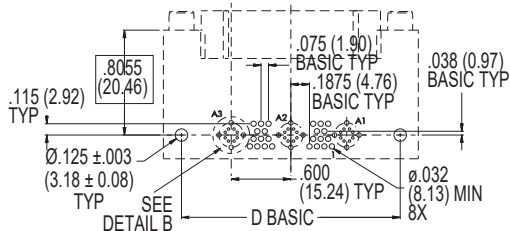
SHELL SIZE D



D-4P4, D-4G4

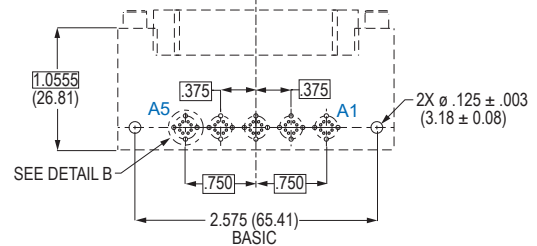


D-12P4

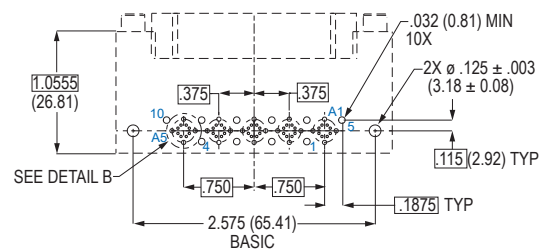


D-27P3

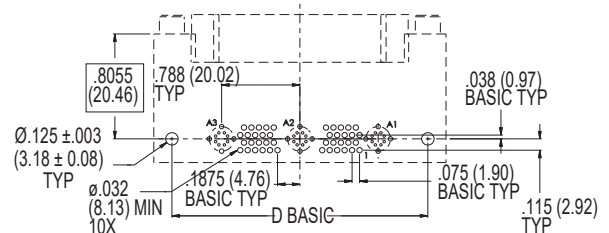
SHELL SIZE E



E-5P5, E-5G5



E-15P5



E-45P3

