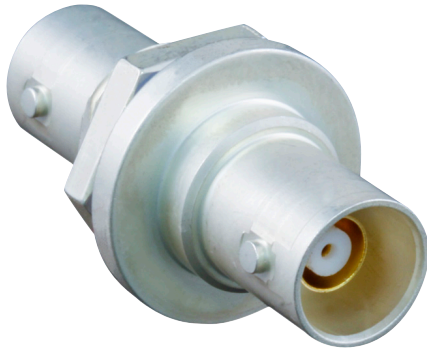




# GRF05-0004

## Triax Adapter - TRB, TRT Series Connector

Hermetic • Bulkhead Feedthrough



**Product Series**

**GRF05-0004**

**Finish**

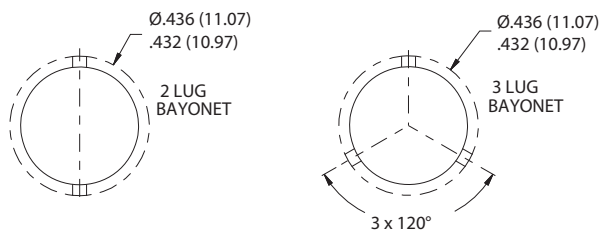
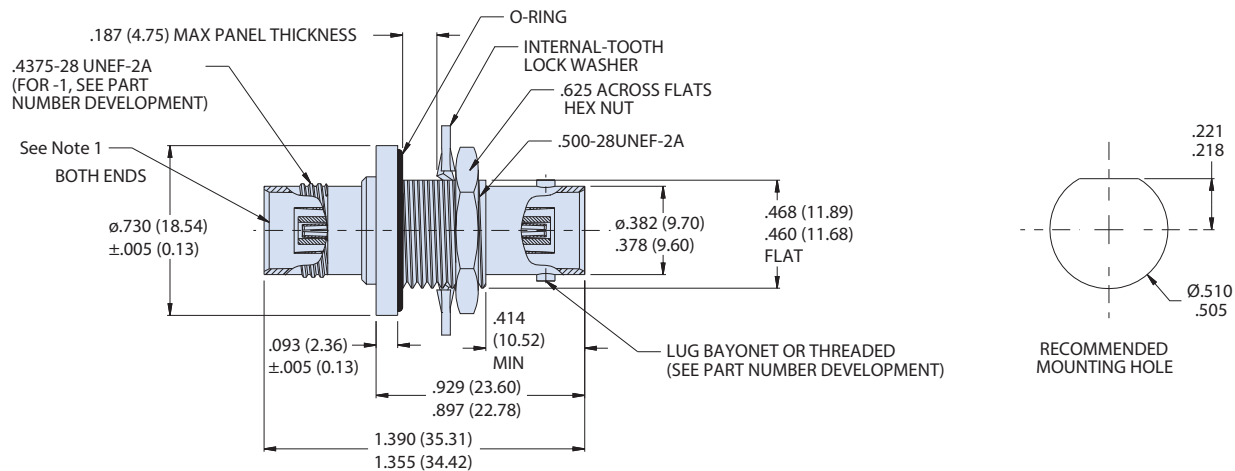
**Z1** = Passivated  
**ZL** = Nickel Plate  
**Z3** = Silver Plate

**-1**

**Z1**

**Keying (Both Ends)**

**-1** = .4375-28 UNEF-2A Thd  
**-2** = 2 Lug Bayonet  
**-3** = 3 Lug Bayonet



### APPLICATION NOTES

- Connector interface is IAW MIL-STD-348, series BNC, socket contact, 2-lug bayonet coupling
- Specifications
  - Frequency range: DC to 4 Ghz
  - Insertion loss:  $\sim$ .157 dB min
  - VSWR: 1.25 max
  - Hermeticity:  $< 1 \times 10^{-7}$  cc/sec of helium at one atmosphere Delta P
  - Insulation resistance: greater than 5000 MegOhms
  - DWV: 1500 VAC between center contact and outer body
- Material/Finish:
  - Operating temperature: -65°C to 165°C
  - Body, jam nut: cres/see part number development
  - Center pin contact (glass sealed section): kovar/gold plated
  - center socket contact (mating ends): copper alloy/gold plated
  - insulator: fused vitreous glass/N.A. PTFE/N.A.

Dimensions in Inches (millimeters) are subject to change without notice.

© 2013 Glenair, Inc.

U.S. CAGE Code 06324

Printed in U.S.A.

**GLENAIR, INC. • 1211 AIR WAY • GLENDALE, CA 91201-2497 • 818-247-6000 • FAX 818-500-9912**  
**www.glenair.com** **N-6** **E-Mail: sales@glenair.com**

Rev. 06.13.22