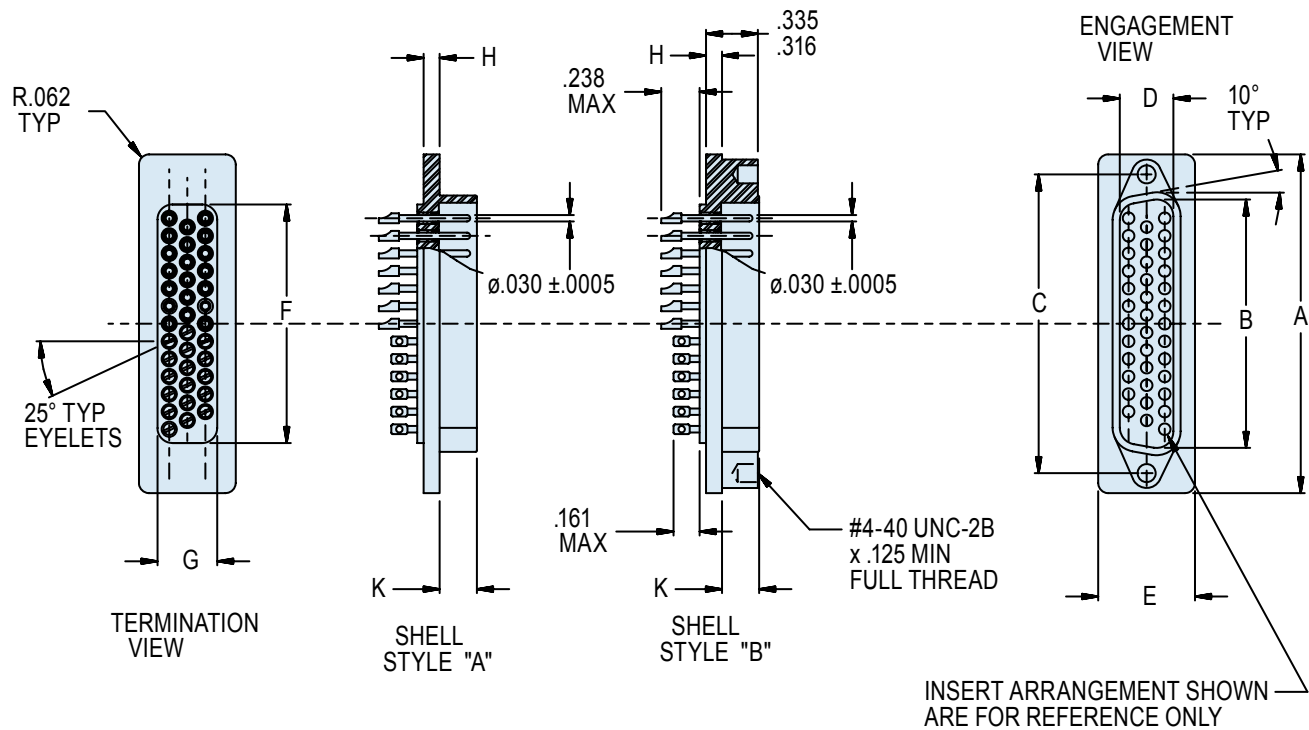
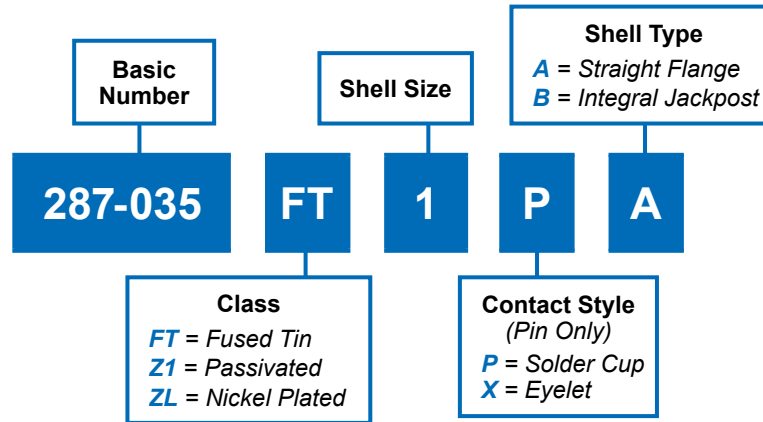


**287-035**  
**MIL-DTL-24308/9 Type Hermetic High Density**  
**Glass-Sealed D-Subminiature Connector**



MIL-DTL-24308  
Type



**APPLICATION NOTES**

- To be identified with manufacturer's name, part number and date code, space permitting.
- Contact Style: Eyelet or solder cup (see part development).
- Material/Finish:  
 Shell: FT = Carbon Steel / Fused Tin  
 Z1 = CRES / Passivated  
 ZL = CRES / Nickel Plated  
 Insulators: Glass bead/N.A.  
 Contacts: Nickel-Iron Alloy / Gold Plated
- Metric dimensions (mm) are indicated in parentheses.
- Performance:  
 DWV - 500 VAC Pin-to-Shell  
 I.R. - 5,000 Megohms Min @ 500 VDC  
 Hermeticity -  $<1 \times 10^{-5}$  scc He/sec @ 1 atmosphere differential.
- Glenair 287-035 will mate with any QPL MIL-DTL-24308/2, /6 and /23 receptacle of the same size and arrangement.

Dimensions in Inches (millimeters) are subject to change without notice.



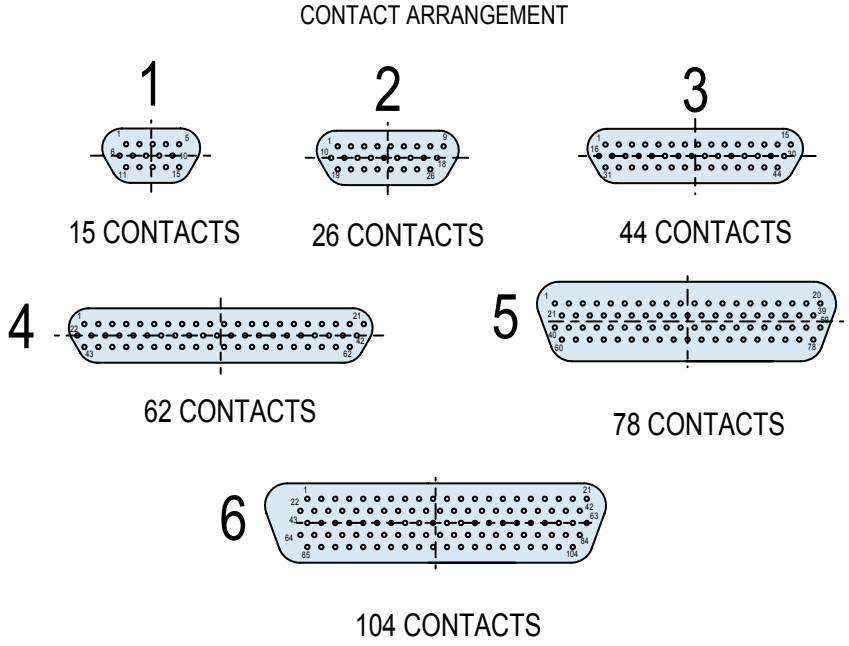
**287-035**  
**MIL-DTL-24308/9 Type Hermetic High Density**  
**Glass-Sealed D-Subminiature Connector**

**SOLDER CUP ORIENTATION**

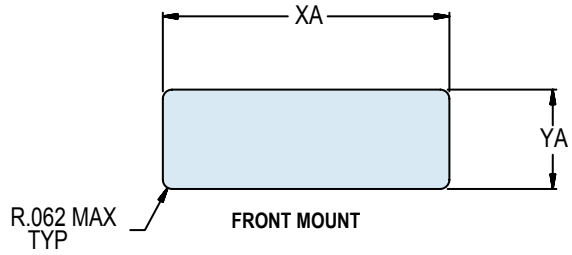
SIZES 1-4

SIZE 5

SIZE 6



RECOMMENDED PANEL CUTOUT  
SEE TABLE II



**TABLE I: CONNECTOR DIMENSIONS**

Shell Size	Dim A ± .015 (± 0.4)	Dim B ± .005 (± 0.1)	Dim C ± .005 (± 0.1)	Dim D ± .004 (± 0.1)	Dim E ± .010 (± 0.3)	Dim F ± .010 (± 0.3)	Dim G ± .005 (± 0.1)	Dim H ± .010 (± 0.3)	Dim K ± .006 (± 0.2)
1	1.213 (30.8)	.667 (16.9)	.984 (25.0)	.330 (8.4)	.498 (12.6)	.759 (19.3)	.422 (10.7)	.094 (2.4)	.235 (6.0)
2	1.541 (39.1)	.993 (25.2)	1.312 (33.3)	.330 (8.4)	.498 (12.6)	1.083 (27.5)	.422 (10.7)	.094 (2.4)	.235 (6.0)
3	2.088 (53.0)	1.535 (39.0)	1.852 (47.0)	.330 (8.4)	.498 (12.6)	1.625 (41.3)	.422 (10.7)	.103 (2.6)	.230 (5.8)
4	2.729 (69.3)	2.183 (55.4)	2.500 (63.5)	.330 (8.4)	.498 (12.6)	2.272 (57.7)	.422 (10.7)	.103 (2.6)	.230 (5.8)
5	2.635 (66.9)	2.079 (52.8)	2.406 (61.1)	.441 (11.2)	.610 (15.5)	2.178 (55.3)	.534 (13.6)	.103 (2.6)	.230 (5.8)
6	2.729 (69.3)	2.212 (56.2)	2.500 (63.5)	.503 (12.8)	.668 (17.0)	2.302 (58.5)	.596 (15.1)	.103 (2.6)	.230 (5.8)

**TABLE II: PANEL CUT-OUT**

Shell Size	Dim. XA	Dim. YA
	± .005 (.13)	
1	.775 (19.7)	.438 (11.1)
2	1.099 (27.9)	.438 (11.1)
3	1.642 (41.7)	.438 (11.1)
4	2.288 (58.1)	.438 (11.1)
5	2.194 (55.7)	.550 (14.0)
6	2.318 (58.9)	.612 (15.5)

Dimensions in Inches (millimeters) are subject to change without notice.