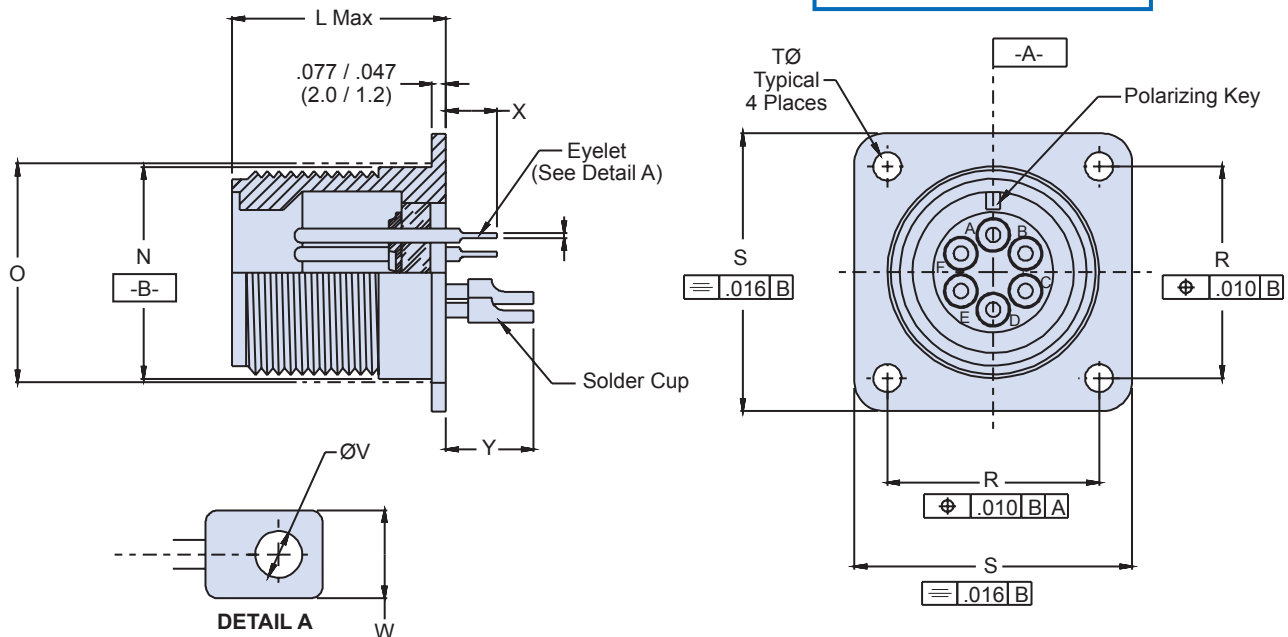
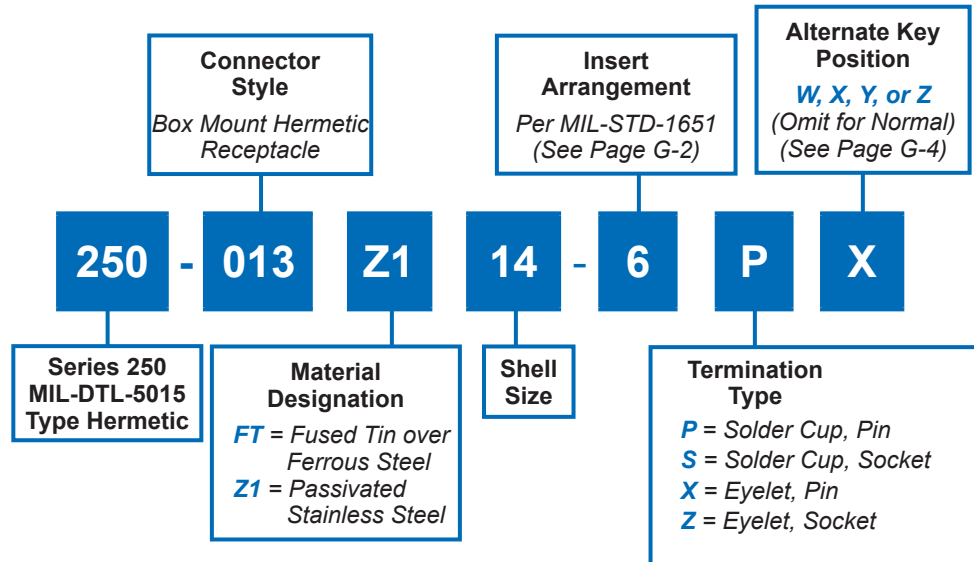


# 250-013 MIL-DTL-5015 Type Hermetic Threaded Coupling Box Mount Receptacle Connector MS3142 Type



## APPLICATION NOTES

- To be identified with manufacturer's name, part number and date code, space permitting.
- Front panel mount square flange receptacle with through mounting holes.
- Glenair 250-013 will mate with any MIL-DTL-5015 Series threaded coupling plug of same size and insert polarization.
- Performance:  
Hermeticity -  $<1 \times 10^{-6}$  cc/Sec @ 1 Atm. differential.  
Dielectric Withstanding Voltage - See Table II.  
Insulation Resistance - 5000 Megohms min @ 500VDC.
- Metric Dimensions (mm) are indicated in parentheses.
- Material/Finish:  
Shell\* - Fused tin over ferrous steel/Z1 passivated stainless steel.  
Contacts - 52 Nickel alloy/gold plate  
Seals - Silicone elastomer/N.A.  
Insulation - Glass beads, NOIBN/N.A.  
Socket Insulator: Rigid dielectric/N.A.

\* Additional shell materials available, including titanium and Inconel®. Consult factory for ordering information.

Dimensions in Inches (millimeters) are subject to change without notice.

**250-013**  
**MIL-DTL-5015 Type Hermetic**  
**Threaded Coupling Box Mount Receptacle Connector**  
**MS3142 Type**



MIL-DTL-5015  
Type

**TABLE I: CONTACT DIMENSIONS**

Contact Size	X Max	Y Max	Z Min	V Min	W Max
16	.219 (5.6)	.375 (9.5)	.020 (0.5)	.065 (1.7)	.115 (2.9)
12	.281 (7.1)	.516 (13.1)	.020 (0.5)	.096 (2.4)	.190 (4.8)
8	.700 (17.8)	.719 (18.3)	.040 (1.0)	.135 (3.4)	.330 (8.4)
4	.900 (22.9)	.980 (24.9)	.050 (1.3)	.220 (5.6)	.440 (11.2)
0	.900 (22.9)	.980 (24.9)	.090 (2.3)	.335 (8.5)	.605 (15.4)

Note: Contact sizes 4 and 0 are not available for "S" size shells (8S, 10S, 10SL, 12S, 14S, and 16S) and size 12 and 14

**TABLE II: SERVICE RATING**

Service Rating	Working Voltage (Volts RMS)
INST	200
A	500
D	900
E	1250
B	1750
C	3000

**HERMETIC LEAK RATE MOD CODES**

Designator	Required Leak Rate
-585A	1 x 10 <sup>-10</sup> cc Helium per second
-585B	1 x 10 <sup>-9</sup> cc Helium per second
-585C	1 x 10 <sup>-8</sup> cc Helium per second

**TABLE III: CONNECTOR DIMENSIONS**

Size	L Maximum Contact Size		ØN + .000 - .062 (+ 0 -1.6)	ØO (Ref) Mounting Hole	R T.P ℄ — ℄	S ±.031 (0.8)	ØT ±.005 (0.1)
	16, 12, 8	4, 0					
	8S	.730 (18.5)					
10S	.730 (18.5)	-	.656 (16.7)	.688 (17.5)	.719 (18.3)	1.000 (25.4)	.120 (3.0)
10SL	.730 (18.5)	-	.656 (16.7)	.688 (17.5)	.719 (18.3)	1.000 (25.4)	.120 (3.0)
12S	.730 (18.5)	-	.782 (19.9)	.812 (20.6)	.812 (20.6)	1.094 (27.8)	.120 (3.0)
12	.915 (23.2)	-	.782 (19.9)	.812 (20.6)	.812 (20.6)	1.094 (27.8)	.120 (3.0)
14S	.730 (18.5)	-	.906 (23.0)	.938 (23.8)	.906 (23.0)	1.188 (30.2)	.120 (3.0)
14	.915 (23.2)	-	.906 (23.0)	.938 (23.8)	.906 (23.0)	1.188 (30.2)	.120 (3.0)
16S	.730 (18.5)	1.040 (26.4)	1.032 (26.2)	1.062 (27.0)	.969 (24.6)	1.281 (32.5)	.120 (3.0)
16	.915 (23.2)	1.040 (26.4)	1.032 (26.2)	1.062 (27.0)	.969 (24.6)	1.281 (32.5)	.120 (3.0)
18	.915 (23.2)	1.040 (26.4)	1.156 (29.4)	1.188 (30.2)	1.062 (27.0)	1.375 (34.9)	.120 (3.0)
20	.915 (23.2)	1.040 (26.4)	1.282 (32.6)	1.312 (33.3)	1.156 (29.4)	1.500 (38.1)	.120 (3.0)
22	.915 (23.2)	1.040 (26.4)	1.406 (35.7)	1.438 (36.5)	1.250 (31.8)	1.625 (41.3)	.120 (3.0)
24	.915 (23.2)	1.040 (26.4)	1.532 (38.9)	1.562 (39.7)	1.375 (34.9)	1.750 (44.5)	.147 (3.7)
28	.915 (23.2)	1.040 (26.4)	1.782 (45.3)	1.812 (46.0)	1.562 (39.7)	2.000 (50.8)	.147 (3.7)
32	.915 (23.2)	1.040 (26.4)	2.032 (51.6)	2.062 (52.4)	1.750 (44.5)	2.250 (57.2)	.173 (4.4)
36	.915 (23.2)	1.040 (26.4)	2.282 (58.0)	2.312 (58.7)	1.938 (49.2)	2.500 (63.5)	.173 (4.4)
40	.915 (23.2)	1.040 (26.4)	2.532 (64.3)	2.562 (65.1)	2.188 (55.6)	2.750 (69.9)	.173 (4.4)
44	.915 (23.2)	1.040 (26.4)	2.782 (70.7)	2.812 (71.4)	2.375 (60.3)	3.000 (76.2)	.173 (4.4)
48	.915 (23.2)	1.040 (26.4)	3.032 (77.0)	3.062 (77.8)	2.625 (66.7)	3.250 (82.6)	.173 (4.4)

Dimensions in Inches (millimeters) are subject to change without notice.