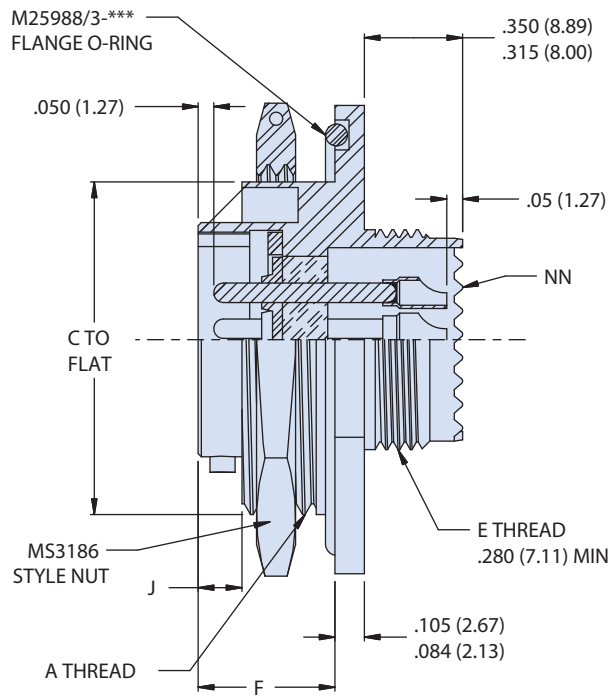
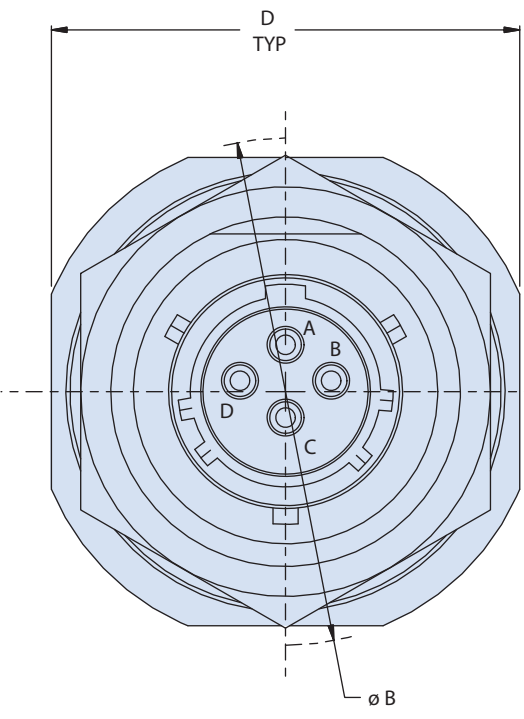
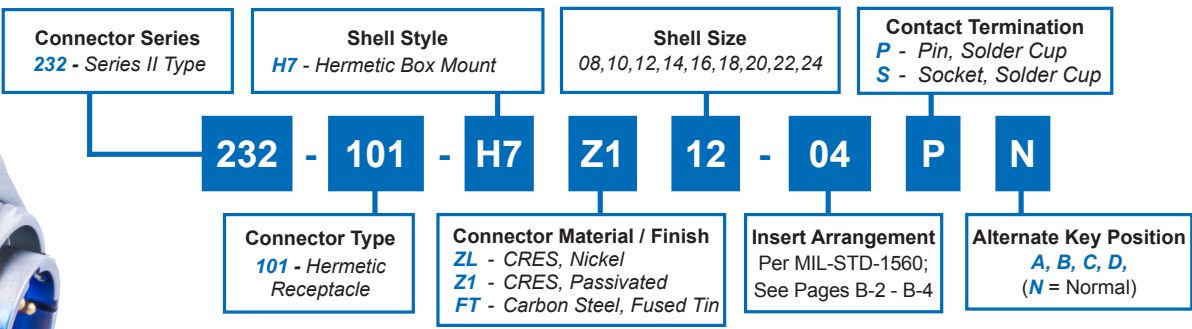




232-101-H7 Jam Nut Mount Hermetic Receptacle with Integrated Accessory Threads, Low Profile MIL-DTL-38999 Series II Type

How To Order: Commercial

B



Dimensions in Inches (millimeters) are subject to change without notice.

232-101-H7
Jam Nut Mount Hermetic Receptacle
with Integrated Accessory Threads, Low Profile
MIL-DTL-38999 Series II Type



WIRE ACCOMODATION	
Contact Size	Wire Guage
22D	#22 - #28
20	#20 - #24
16	#16 - #20
12	#12 - #14

HERMETIC LEAK RATE MODE CODES	
Designator	Required Leak Rate
-585A	1 x 10 ⁻¹⁰ cc helium per second
-585B	1 x 10 ⁻⁹ cc helium per second
-585C	1 x 10 ⁻⁸ cc helium per second

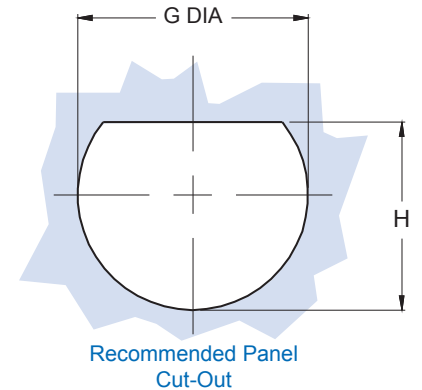


TABLE III: DWV VOLTAGE LEVELS	
SERVICE RATING	VOLTAGE AC RMS 60HZ
M	1300 VAC
I	1800 VAC
II	2300 VAC
N	1000 VAC

TABLE I										
SHELL SIZE	A THREAD CLASS 2A	B DIA	C FLAT	D A/F	E THREAD 0.100 R	F	G DIA	H	J	NN TEETH
8	.875-20	1.391 (35.33)	0.818 (20.78)	1.266 (32.16)	M12 x 1.0-6g	0.443 (11.25)	0.895 (22.73)	0.830 (21.08)	0.145 (3.68)	12
	UNEF	1.359 (34.52)	0.811 (20.60)	1.234 (31.34)		0.433 (11.00)	0.885 (22.48)	0.820 (20.83)	0.140 (3.56)	
10	1.000-20	1.516 (38.51)	0.942 (23.93)	1.391 (35.33)	M15 x 1.0-6g	0.443 (11.25)	1.020 (25.91)	0.955 (24.26)	0.145 (3.68)	16
	UNEF	1.484 (37.69)	0.935 (23.75)	1.359 (34.52)		0.433 (11.00)	1.010 (25.65)	0.945 (24.00)	0.140 (3.56)	
12	1.125-18	1.641 (41.68)	1.066 (27.08)	1.516 (38.51)	M18 x 1.0-6g	0.443 (11.25)	1.145 (29.08)	1.085 (27.56)	0.145 (3.68)	20
	UNEF	1.609 (40.87)	1.059 (26.90)	1.484 (37.69)		0.433 (11.00)	1.135 (28.83)	1.075 (27.30)	0.140 (3.56)	
14	1.250-18	1.766 (44.86)	1.191 (30.25)	1.641 (41.68)	M22 x 1.0-6g	0.443 (11.25)	1.270 (32.26)	1.210 (30.73)	0.145 (3.68)	24
	UNEF	1.734 (44.04)	1.184 (30.07)	1.609 (40.87)		0.433 (11.00)	1.260 (32.00)	1.200 (30.48)	0.140 (3.56)	
16	1.375-18	1.954 (49.63)	1.321 (33.55)	1.797 (45.64)	M25 x 1.0-6g	0.443 (11.25)	1.395 (35.43)	1.335 (33.91)	0.145 (3.68)	28
	UNEF	1.922 (48.82)	1.314 (33.38)	1.765 (44.83)		0.433 (11.00)	1.385 (35.18)	1.325 (33.65)	0.140 (3.56)	
18	1.500-18	2.032 (51.61)	1.441 (36.60)	1.906 (48.41)	M28 x 1.0-6g	0.443 (11.25)	1.520 (38.61)	1.460 (37.08)	0.145 (3.68)	32
	UNEF	2.000 (50.80)	1.434 (36.42)	1.874 (47.60)		0.433 (11.00)	1.510 (38.35)	1.450 (36.83)	0.140 (3.56)	
20	1.625-18	2.157 (54.79)	1.566 (39.78)	2.032 (51.61)	M31 x 1.0-6g	0.469 (11.91)	1.645 (41.78)	1.585 (40.26)	0.171 (4.34)	36
	UNEF	2.125 (53.97)	1.559 (39.60)	2.000 (50.80)		0.459 (11.66)	1.635 (41.53)	1.575 (40.00)	0.166 (4.22)	
22	1.750-18	2.281 (57.94)	1.691 (42.95)	2.156 (54.76)	M34 x 1.0-6g	0.469 (11.91)	1.770 (44.96)	1.709 (43.41)	0.171 (4.34)	40
	UNS	2.249 (57.12)	1.684 (42.77)	2.124 (53.95)		0.459 (11.66)	1.760 (44.70)	1.699 (43.15)	0.166 (4.22)	
24	1.875-16	2.406 (61.11)	1.816 (46.13)	2.281 (57.94)	M37 x 1.0-6g	0.469 (11.91)	1.895 (48.13)	1.835 (46.61)	0.171 (4.34)	44
	UN	2.374 (60.30)	1.809 (45.95)	2.249 (57.12)		0.459 (11.66)	1.885 (47.88)	1.825 (46.36)	0.166 (4.22)	

Dimensions in Inches (millimeters) are subject to change without notice.