

244-004

MIL-DTL-38999 Series III Type TVS Connector
Rear Panel Mount Receptacle with RJ45 Jack to Rear Solder Cup or
PC Tail Termination and Accessory Threads



TVS Connectors



How to Order	
Sample Part Number	244-004 NF 19 P G N 1
Basic Number	244-004
Finish ¹	See Material & Finish Table
Shell Size	17 or 19
Termination	P = PC tail S = Solder cup
Insert-to-Shell Grounding	G = Shielded and grounded to shell
Alternate Key Position	Per MIL-DTL-38999 A, B, C, D, E, N = Normal
RJ45 Orientation	1, 2, 3, or 4

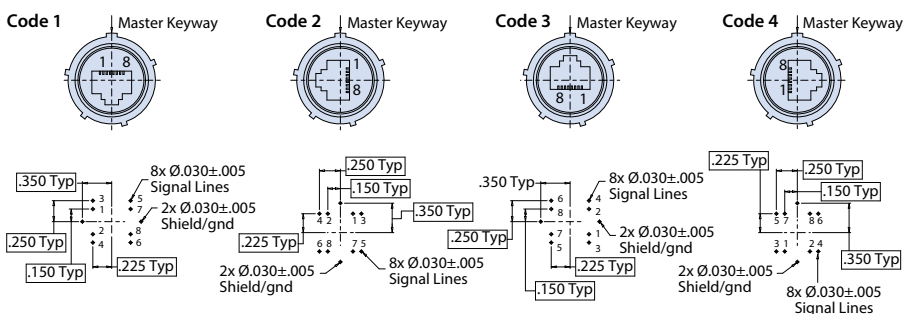
Materials and Finishes ¹	
NF	Cadmium olive drab
ME	Electroless nickel
MT	Nickel PTFE

NOTES

- See Section A for alternate key positions, panel cutout dimensions and complete finish options

All external dimensions, features, etc. compliant with D38999/20, /24, &/26. Consult factory for additional information.

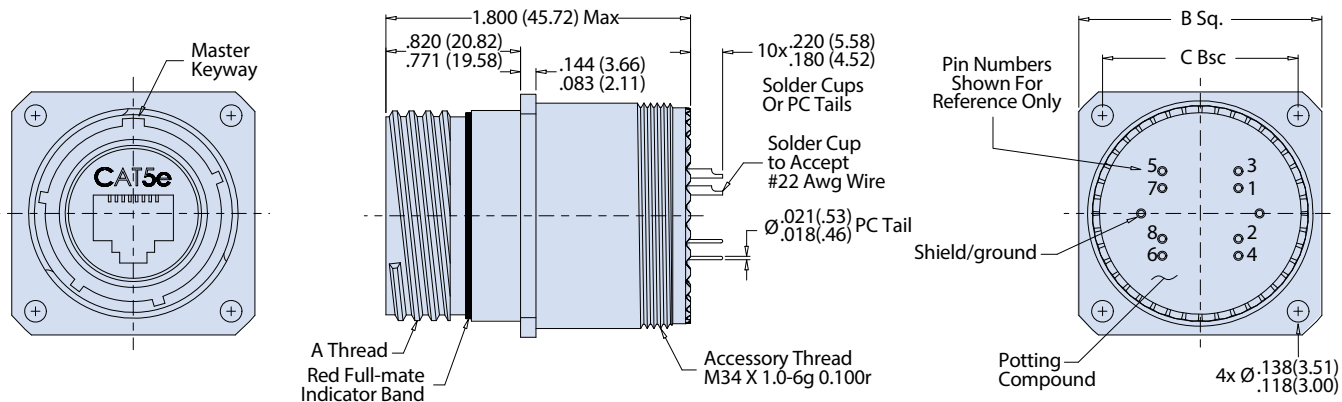
RJ45 ORIENTATION CODE AND PCB LAYOUT (PCB LAYOUT FOR PC TAIL VERSION)



Component Mounting Side

		Jam Nut Dimensions							
Shell Size	A Thread	B Sq.		C Bsc		Ø D Min		E Bsc	
		in	mm	in	mm	in	mm	in	mm
17	1.1875-.1P-.3L-TS-2A	1.323 1.299	33.60 32.99	1.062	26.97	1.219	30.96	1.062	26.97
19	1.2500-.1P-.3L-TS-2A	1.449 1.425	36.80 36.195	1.156	29.36	1.297	32.94	1.156	29.36

REAR PANEL MOUNT RECEPTACLE WITH ACCESSORY THREADS



Dimensions in inches (millimeters) and are subject to change without notice.