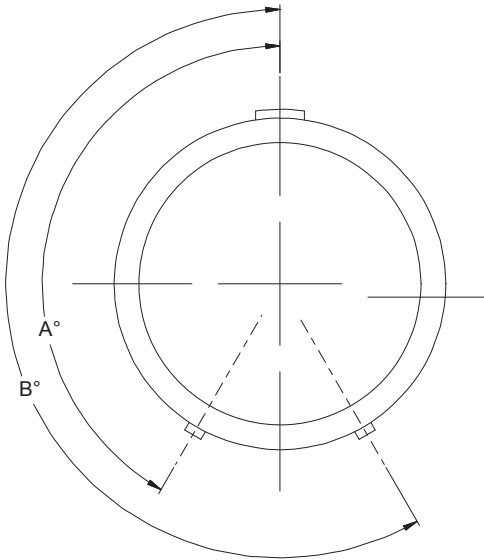


Series 80 Mighty Mouse Filter Connector Normal and Alternate Key Positions

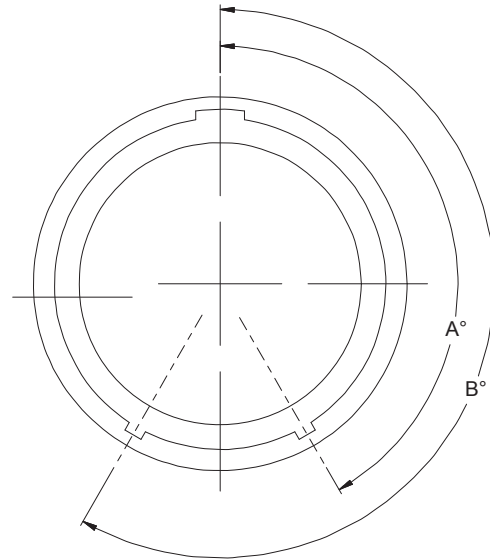
Plug
Key Positions



SERIES

801
804
805

Receptacle
Keyway Positions



Series 80 Mighty Mouse
Alternate Key Positions

Key Position	Notes	A°	B°
A	Normal	150°	210°
B	Alternate #1	75°	210°
C	Alternate #2	95°	230°
D	Alternate #3	140°	275°
E	Alternate #4	75°	275°
F	Alternate #5	95°	210°
U	Universal	-	-

Notes

- Materials/Finishes: Shells, Barrel, Coupling Nut, Jam Nut - See Table I
Insulators - High grade rigid dielectric/N.A.
Seals - Fluorosilicone
Contacts: Copper alloy 50 μ " Gold over 50 μ " Nickel
- Assembly to be identified with Glenair's name, part number, and date code - space permitting.
- All contacts to have identical filter value. Other filter arrangements available, contact factory.
- Electrical Ratings: DWV- 300 VDC; Standard Operating Voltage 200 VDC (Filter class X, Y and Z are 250 VDC)
- Insulation Resistance: 5000 MegOhms Min. at 200 VDC.
- Operating Temperature: -55°C to +125°C (Env Class Connectors)
- Other filter styles (C-L, L-C, Unbalanced Pi, Multi-Stage, Multi-Value) are available, please consult the factory.

Dimensions in inches (millimeters) and are subject to change without notice.