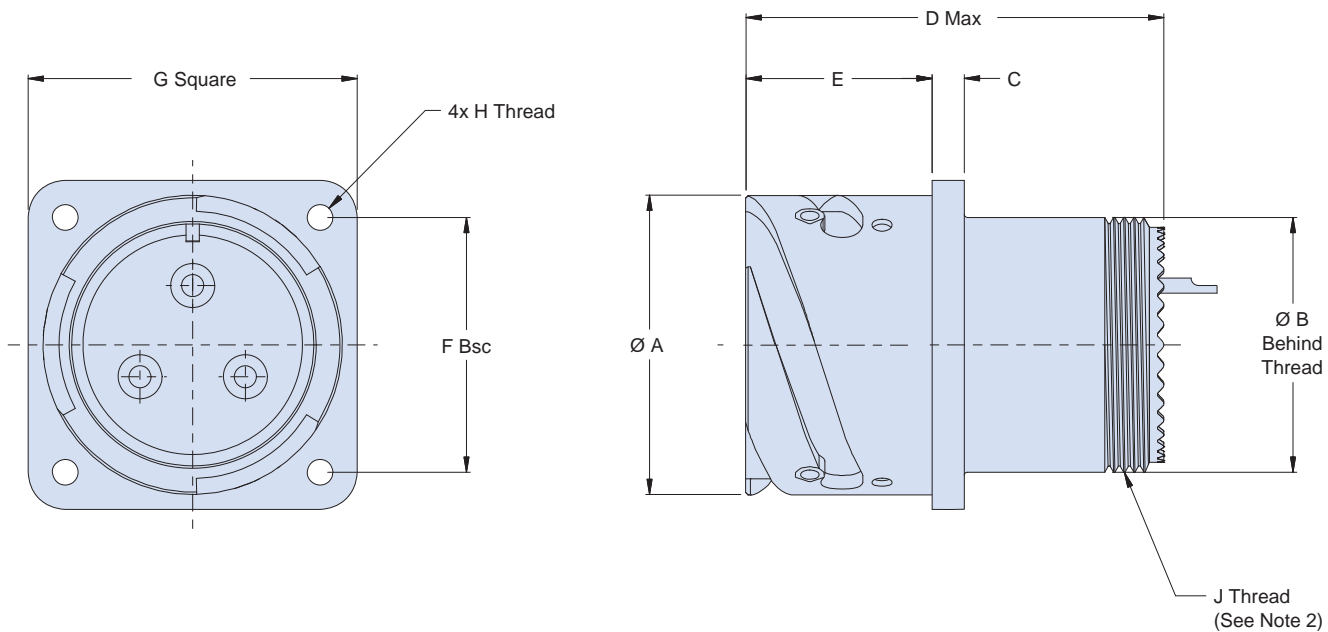


**VG 95234 TYPE REAR PANEL MOUNT RECEPTACLE, REVERSE BAYONET COUPLING**
**B**

How To Order									
<b>Sample Part Number</b>	240-ITS	<b>W</b>	<b>NF</b>	<b>20-3</b>	<b>P</b>	<b>S</b>	<b>C</b>	<b>B</b>	<b>N</b>
<b>Filter Connector</b>	VG 95234 Type								
<b>Shell Style</b>	<b>W</b> = Wall Mount <b>WT</b> = Jam Nut with Accessory Thread (See Note 2)								
<b>Connector Class</b>	See Table II								
<b>Insert Arrangement</b>	See pages B-88 – B-91								
<b>Contact Gender</b>	<b>P</b> = Pin <b>S</b> = Socket								
<b>Termination Type</b>	<b>S</b> = Solder Cup								
<b>Filter Type</b>	<b>C</b> = C Circuit (See Note 1)								
<b>Capacitance</b>	See Table III								
<b>Alternate Insert Position</b>	<b>W, X, Y, Z, N</b> = Normal (See pages B-88 – B-91)								


**Notes**

- Other filter styles (Pi, C-L, L-C, Unbalanced Pi, Multi-Stage, Multi-Value) are available, please consult the factory.
- Shell style JT shown. Shell style J is less accessory threads and teeth.

Dimensions in inches (millimeters) and are subject to change without notice.

**240-ITSW**  
**VG 95234 Type Receptacle Connector**  
**Rear Panel Mount with Reverse Bayonet Coupling**



Series ITS  
VG 95234 Type

**B**

**Table I: Dimensions**

Shell Size	Ø A +.000 (.00) -.006 (.15)	Ø B Max	C ±.008 (±.20)	D Max	E +.016 (4.0) -.000 (0.0) (±.20)	F Bsc	G ±.012 (±.30)	H Thread	J Thread 2A
10SL	.717 (18.2)	.638 (16.2)	.110 (2.8)	1.650 (41.9)	.717 (18.2)	.719 (18.3)	1.000 (25.4)	M4	.625-24 UNEF
14S	.969 (24.6)	.756 (19.2)	.126 (3.2)	1.650 (41.9)	.717 (18.2)	.906 (23.0)	1.181 (30.0)	M4	.750-20 UNEF
16S	1.079 (27.4)	.882 (22.4)	.126 (3.2)	1.650 (41.9)	.717 (18.2)	.969 (24.6)	1.280 (32.5)	M4	.875-20 UNEF
16	1.079 (27.4)	.882 (22.4)	.126 (3.2)	1.800 (45.7)	.907 (23.0)	.969 (24.6)	1.280 (32.5)	M4	.875-20 UNEF
18	1.213 (30.8)	1.008 (25.6)	.157 (4.0)	1.800 (45.7)	.907 (23.0)	1.063 (27.0)	1.378 (35.0)	M4	1.000-20 UNEF
20	1.346 (34.2)	1.142 (29.0)	.157 (4.0)	1.800 (45.7)	.907 (23.0)	1.157 (29.4)	1.496 (38.0)	M4	1.125-18 UNEF
22	1.472 (37.4)	1.268 (32.2)	.157 (4.0)	1.800 (45.7)	.907 (23.0)	1.250 (31.8)	1.614 (41.0)	M4	1.250-18 UNEF
24	1.610 (40.9)	1.390 (35.3)	.157 (4.0)	1.800 (45.7)	.907 (23.0)	1.375 (34.9)	1.752 (44.5)	M4	1.375-18 UNEF
28	1.839 (46.7)	1.630 (41.4)	.157 (4.0)	1.800 (45.7)	.947 (24.1)	1.563 (39.7)	2.000 (50.8)	M5	1.625-18 UNEF
32	2.102 (53.4)	1.882 (47.8)	.157 (4.0)	1.800 (45.7)	.947 (24.1)	1.750 (44.5)	2.244 (57.0)	M5	1.875-16 UN
36	2.346 (59.6)	2.130 (54.1)	.157 (4.0)	1.800 (45.7)	.947 (24.1)	1.937 (49.2)	2.500 (63.5)	M5	2.0625-16 UN
40	2.579 (65.5)	2.323 (59.0)	.157 (4.0)	1.800 (45.7)	.947 (24.1)	2.187 (55.5)	2.752 (70.0)	M5	2.3125-16 UN

**Table II: Connector Class**

Sym	Material	Finish Description
ME	Aluminum	Electroless Nickel
NF		Cadmium O.D. Over Electroless Nickel
ZL	Stainless Steel	Electro-Deposited Nickel

**Table III: Capacitor Array Code  
Capacitance Range**

Class	C - Circuit (pF)
X	80,000 - 120,000
Y	40,000 - 60,000
Z	30,000 - 45,000
A	19,000 - 28,000
B	16,000 - 22,500
C	9,000 - 16,500

Dimensions in inches (millimeters) and are subject to change without notice.