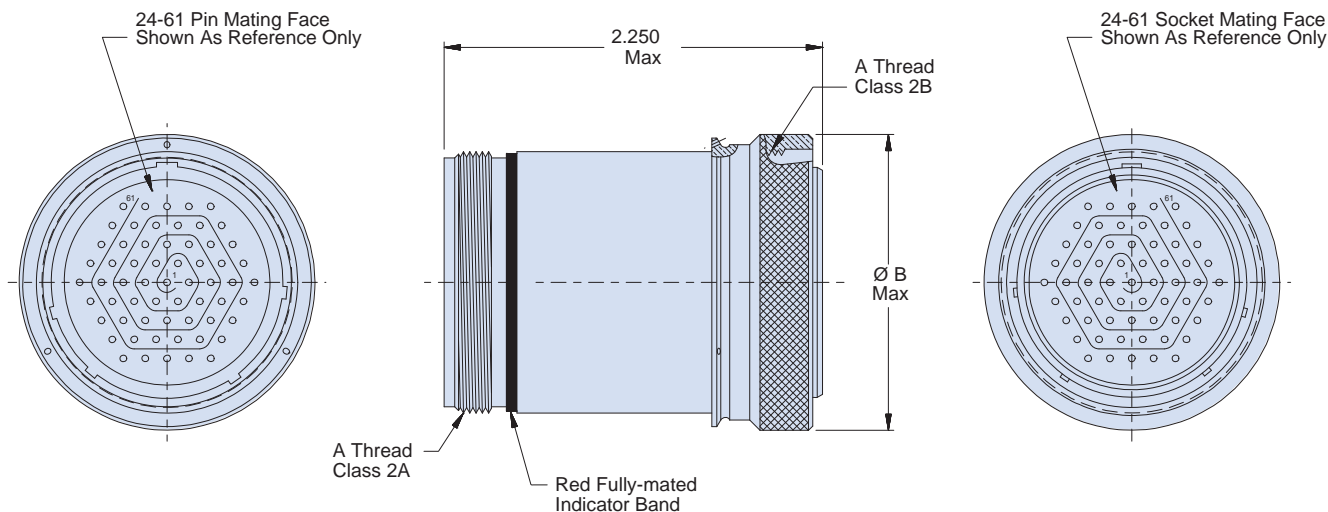


MIL-DTL-83723 SERIES III TYPE -WALL MOUNT RECEPTACLE

How To Order									
Sample Part Number	240-837	A	ME	24-61	PS	P	A	N	N
Filter Connector	MIL-DTL-83723 Series III Type, Threaded Coupling								
Shell Style	A = Connector Adapter								
Connector Class	See Table I								
Insert Arrangement	IAW MIL-STD-1554. (See pages B-72 – B-73)								
Contact Gender	PS = Pins, Plug Side SP = Sockets, Plug Side (See Note 2)								
Filter Type	P = Pi Circuit C = C Circuit (See Note 1)								
Capacitance	See Table II								
Flange Mounting Style	N = Not Applicable								
Alternate Insert Position	IAW MIL-DTL-83723 and MIL-STD-1554 1, 2, 3, 4, 5, 6, 7, 8, 9, Y, N = Normal (See page B-73)								


Notes

- Other filter styles (C-L, L-C, Unbalanced Pi, Multi-Stage, Multi-Value) are available, please consult the factory.
- Please consult the factory for Pin/Pin and/or Socket/Socket contact arrangements.

Dimensions in inches (millimeters) and are subject to change without notice.

240-837A
MIL-DTL-83723 Series III Type
Filtered Connector Adapter, Threaded Coupling



MIL-DTL-83723
Type

B

Table I: Connector Class		
Sym	Material	Finish Description
ME	Aluminum	Electroless Nickel
MT	Aluminum	Ni-PTFE 1000 Hour Grey™ Nickel Fluorocarbon Polymer
NF	Aluminum	Cadmium O.D. Over Electroless Nickel
ZL	Stainless Steel	Electro-Deposited Nickel
ZN	Aluminum	Zinc-Nickel, Olive Drab
ZR	Aluminum	Zinc Nickel, Black - RoHS

Table II: Capacitor Array Code Capacitance Range		
Class	Pi - Circuit (pF)	C - Circuit (pF)
X*	160,000 - 240,000	80,000 - 120,000
Y*	80,000 - 120,000	40,000 - 60,000
Z*	60,000 - 90,000	30,000 - 45,000
A	38,000 - 56,000	19,000 - 28,000
B	32,000 - 45,000	16,000 - 22,500
C	18,000 - 33,000	9,000 - 16,500
D	8,000 - 12,000	4,000 - 6,000
E	3,300 - 5,000	1,650 - 2,500
F	800 - 1,300	400 - 650
G	400 - 600	200 - 300
J	70-120	35-60

* Filter Classes X, Y and Z are 250 VDC.
All others are 500 VDC

TABLE III: Dimensions		
Shell Size	A Thread	Ø B
8	.562-24 UNEF	.776 (19.7)
10	.688-24 UNEF	.906 (23.0)
12	.875-20 UNEF	1.078 (27.4)
14	.938-20 UNEF	1.141 (29.0)
16	1.062-18 UNEF	1.266 (32.2)
18	1.188-18 UNEF	1.375 (34.9)
20	1.312-18 UNEF	1.510 (38.4)
22	1.438-18 UNEF	1.625 (41.3)
24	1.562-18 UNEF	1.760 (44.7)

Dimensions in inches (millimeters) and are subject to change without notice.