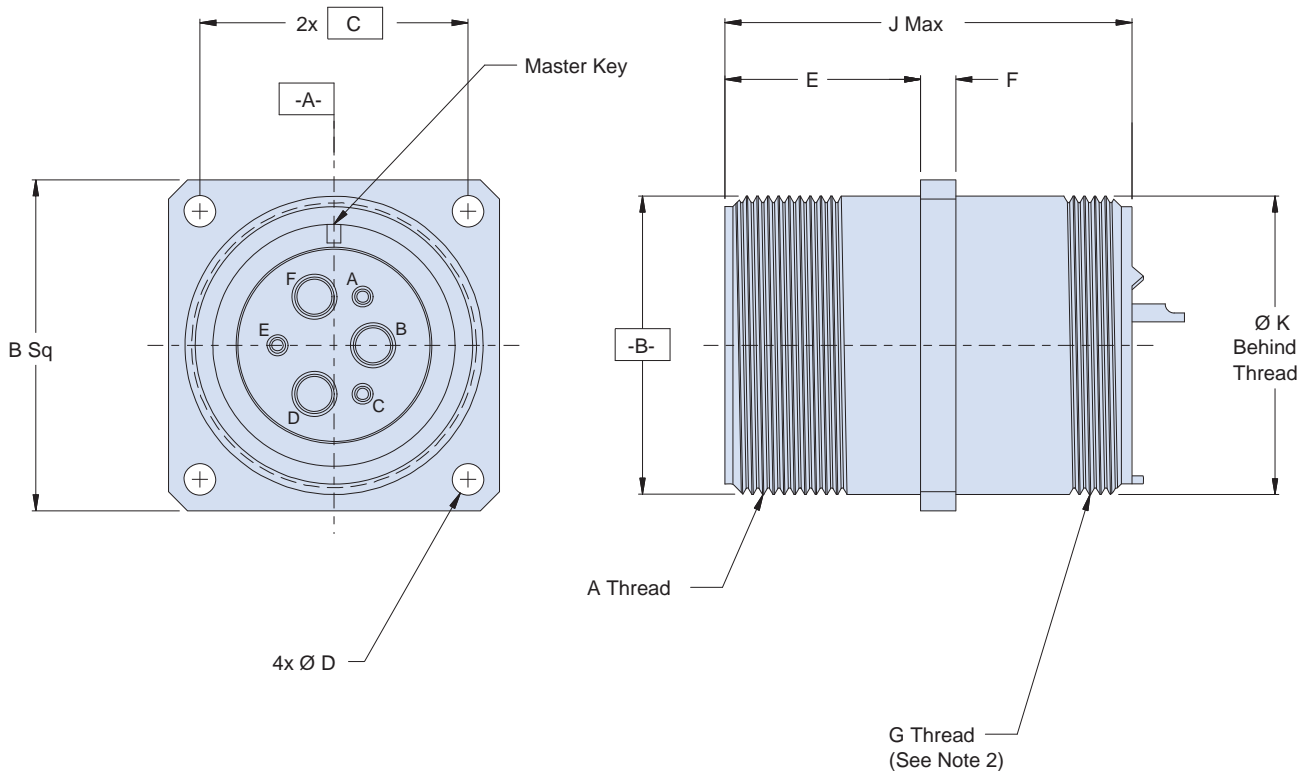


### MIL-DTL-5015 TYPE WALL MOUNT RECEPTACLE

How To Order	
Sample Part Number	240-515 W NF 36-4 SS C B X
Filter Connector	MIL-DTL-5015 Type
Shell Style	W = Wall Mount
Connector Class	See Table II
Insert Arrangement	IAW MIL-STD-1651 (See pages B-97 – B-99)
Contact Type	PS = Pin, Solder Cup SS = Socket, Solder Cup
Filter Type	C = C Circuit (See Note 1)
Capacitance	See Table III
Alternate Insert Position	Per MIL-STD-1651. W, X, Y, Z, N = Normal (See pages B-97 – B-99)



#### Notes

1. Other filter styles (Pi, C-L, L-C, Unbalanced Pi, Multi-Stage, Multi-Value) are available, please consult the factory.

Dimensions in inches (millimeters) and are subject to change without notice.

240-515W  
MIL-DTL-5015 Series III Type Filter Connector  
MS3450 Wall Mount Receptacle



MIL-DTL-5015  
Type

B

Table I: Dimensions

Shell Size	A Thread 2A	B ±.031 (±.79)	C Bsc	Ø D Holes	E	F ±.015 (±.38)	G Thread 2A	J Max	Ø K
8S	.500-28 UNEF	.875 (22.2)	.594 (15.1)	.130 (3.3) .115 (2.9)	.593 (15.1) .562 (14.3)	.083 (2.1)	.500-20 UNF	1.800 (45.7)	.500 (12.7) .490 (12.4)
10SL	.625-24 UNEF	1.000 (25.4)	.719 (18.3)	.130 (3.3) .115 (2.9)	.593 (15.1) .562 (14.3)	.083 (2.1)	.625-24 UNEF	1.800 (45.7)	.625 (15.9) .615 (15.6)
10SL	.625-24 UNEF	1.000 (25.4)	.719 (18.3)	.130 (3.3) .115 (2.9)	.593 (15.1) .562 (14.3)	.083 (2.1)	.625-24 UNEF	1.800 (45.7)	.625 (15.9) .615 (15.6)
12S	.750-20 UNEF	1.094 (27.8)	.812 (20.6)	.130 (3.3) .115 (2.9)	.593 (15.1) .562 (14.3)	.083 (2.1)	.750-20 UNEF	1.800 (45.7)	.750 (19.1) .740 (18.8)
12	.750-20 UNEF	1.094 (27.8)	.812 (20.6)	.130 (3.3) .115 (2.9)	.781 (19.8) .750 (19.1)	.083 (2.1)	.750-20 UNEF	2.000 (50.8)	.750 (19.1) .740 (18.8)
14S	.875-20 UNEF	1.188 (30.2)	.906 (23.0)	.130 (3.3) .115 (2.9)	.593 (15.1) .562 (14.3)	.083 (2.1)	.875-20 UNEF	1.800 (45.7)	.875 (22.2) .865 (22.0)
14	.875-20 UNEF	1.188 (30.2)	.906 (23.0)	.130 (3.3) .115 (2.9)	.781 (19.8) .750 (19.1)	.083 (2.1)	.875-20 UNEF	2.000 (50.8)	.875 (22.2) .865 (22.0)
16S	1.000-20 UNEF	1.281 (32.5)	.969 (24.6)	.130 (3.3) .115 (2.9)	.593 (15.1) .562 (14.3)	.083 (2.1)	1.000-20 UNEF	1.800 (45.7)	1.000 (24.5) .990 (25.1)
16	1.000-20 UNEF	1.281 (32.5)	.969 (24.6)	.130 (3.3) .115 (2.9)	.781 (19.8) .750 (19.1)	.083 (2.1)	1.000-20 UNEF	2.000 (50.8)	1.000 (24.5) .990 (25.1)
18	1.125-18 UNEF	1.375 (34.9)	1.062 (27.0)	.130 (3.3) .115 (2.9)	.781 (19.8) .750 (19.1)	.125 (3.2)	1.0625-18 UNEF	2.000 (50.8)	1.062 (27.0) 1.052 (26.7)
20	1.250-18 UNEF	1.500 (38.1)	1.156 (29.4)	.130 (3.3) .115 (2.9)	.781 (19.8) .750 (19.1)	.125 (3.2)	1.1875-18 UNEF	2.000 (50.8)	1.187 (30.1) 1.177 (29.9)
22	1.375-18 UNEF	1.625 (41.3)	1.250 (31.8)	.130 (3.3) .115 (2.9)	.781 (19.8) .750 (19.1)	.125 (3.2)	1.3125-18 UNEF	2.000 (50.8)	1.312 (33.3) 1.302 (33.1)
24	1.500-18 UNEF	1.750 (44.5)	1.375 (34.9)	.157 (4.0) .142 (3.6)	.843 (21.4) .812 (20.6)	.125 (3.2)	1.4375-18 UNEF	2.000 (50.8)	1.437 (36.5) 1.427 (36.2)
28	1.750-18 UNS	2.000 (50.8)	1.562 (39.7)	.157 (4.0) .142 (3.6)	.843 (21.4) .812 (20.6)	.125 (3.2)	1.750-18 UNS	2.000 (50.8)	1.750 (44.5) 1.740 (44.2)
32	2.000-18 UNS	2.250 (57.2)	1.750 (44.5)	.183 (4.6) .168 (4.3)	.906 (23.0) .875 (22.2)	.125 (3.2)	2.000-18 UNS	2.000 (50.8)	2.000 (50.8) 1.990 (50.5)
36	2.250-16 UN	2.500 (63.5)	1.938 (49.2)	.183 (4.6) .168 (4.3)	.906 (23.0) .875 (22.2)	.125 (3.2)	2.250-16 UN	2.000 (50.8)	2.250 (57.2) 2.240 (56.9)
40	2.500-16 UN	2.750 (69.9)	2.188 (55.6)	.183 (4.6) .168 (4.3)	.906 (23.0) .875 (22.2)	.125 (3.2)	2.500-16 UN	2.000 (50.8)	2.500 (63.5) 2.490 (63.2)

Table II: Connector Class

Sym	Material	Finish Description
ME	Aluminum	Electroless Nickel
NF		Cadmium O.D. Over Electroless Nickel
ZL	Stainless Steel	Electro-Deposited Nickel

Table III: Capacitor Array Code  
Capacitance Range

Class	C - Circuit (pF)
X	80,000 - 120,000
Y	40,000 - 60,000
Z	30,000 - 45,000
A	19,000 - 28,000
B	16,000 - 22,500
C	9,000 - 16,500

Dimensions in inches (millimeters) and are subject to change without notice.