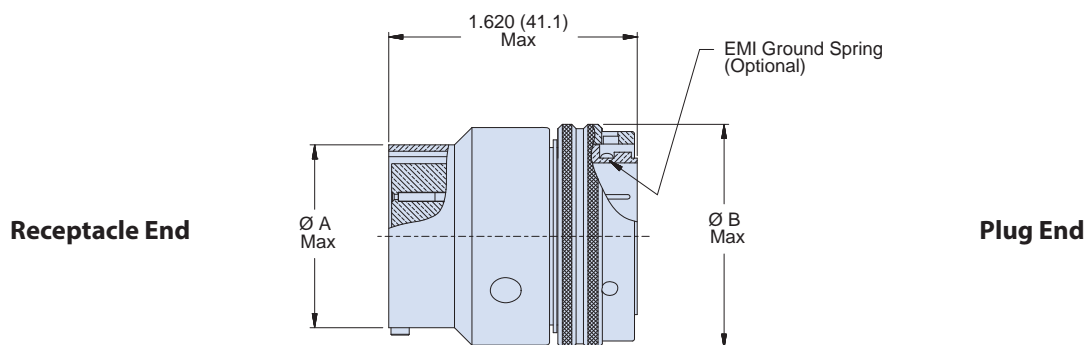


D38999 SERIES II TYPE CONNECTOR ADAPTER

How To Order									
Sample Part Number	240-382	A	ME	14-35	PS	P	A	N	U
Filter Connector	MIL-DTL-38999 Series II Type								
Shell Style	A = Connector Adapter								
Connector Class	See Table I								
Insert Arrangement	IAW MIL-STD-1560. (See pages B-18 – B-19)								
Contact Gender	PS = Pins, Plug Side SP = Sockets, Plug Side (See Note 2)								
Filter Type	P = Pi Circuit C = C Circuit (See Note 1)								
Capacitance	See Table II								
Flange Mounting Style	N = Not Applicable								
Alternate Key Position	A, B, C, D, N = Normal, U = Universal (See page B-19) (See Note 3)								



Note

1. Other filter styles (C-L, L-C, Unbalanced Pi, Multi-Stage, Multi-Value) are available, please consult the factory.
2. Please consult the factory for Pin/Pin and/or Socket/Socket contact arrangements.
3. Do not mate Universal key position with another Universal

Dimensions in inches (millimeters) and are subject to change without notice.

240-382A
MIL-DTL-38999 Series II Type Filter Connector
Connector Adapter



MIL-DTL-38999
Type

B

Sym	Class	Material	Finish Description
ME	Environmental	Aluminum	Electroless Nickel
MT	Environmental	Aluminum	Ni-PTFE 1000 Hour Grey™ Nickel Fluorocarbon Polymer
NF	Environmental	Aluminum	Cadmium O.D. Over Electroless Nickel
ZL	Environmental	Stainless Steel	Electro-Deposited Nickel
ZN	Environmental	Aluminum	Zinc-Nickel, Olive Drab
ZR	Environmental	Aluminum	Zinc Nickel, Black - RoHS

Class	Pi - Circuit (pF)	C - Circuit (pF)
X*	160,000 - 240,000	80,000 - 120,000
Y*	80,000 - 120,000	40,000 - 60,000
Z*	60,000 - 90,000	30,000 - 45,000
A	38,000 - 56,000	19,000 - 28,000
B	32,000 - 45,000	16,000 - 22,500
C	18,000 - 33,000	9,000 - 16,500
D	8,000 - 12,000	4,000 - 6,000
E	3,300 - 5,000	1,650 - 2,500
F	800 - 1,300	400 - 650
G	400 - 600	200 - 300
J	70-120	35-60

* Filter Classes X, Y and Z are 250 VDC.
All others are 500 VDC

Shell Size	Ø A Max	Ø B Max
8	.474 (12.0)	.784 (19.9)
10	.591 (15.0)	.894 (22.7)
12	.751 (19.1)	1.031 (26.2)
14	.876 (22.3)	1.156 (29.4)
16	1.001 (25.4)	1.281 (32.5)
18	1.126 (28.6)	1.406 (35.7)
20	1.251 (31.8)	1.531 (38.9)
22	1.376 (35.0)	1.641 (41.7)
24	1.501 (38.1)	1.766 (44.8)

Dimensions in inches (millimeters) and are subject to change without notice.