

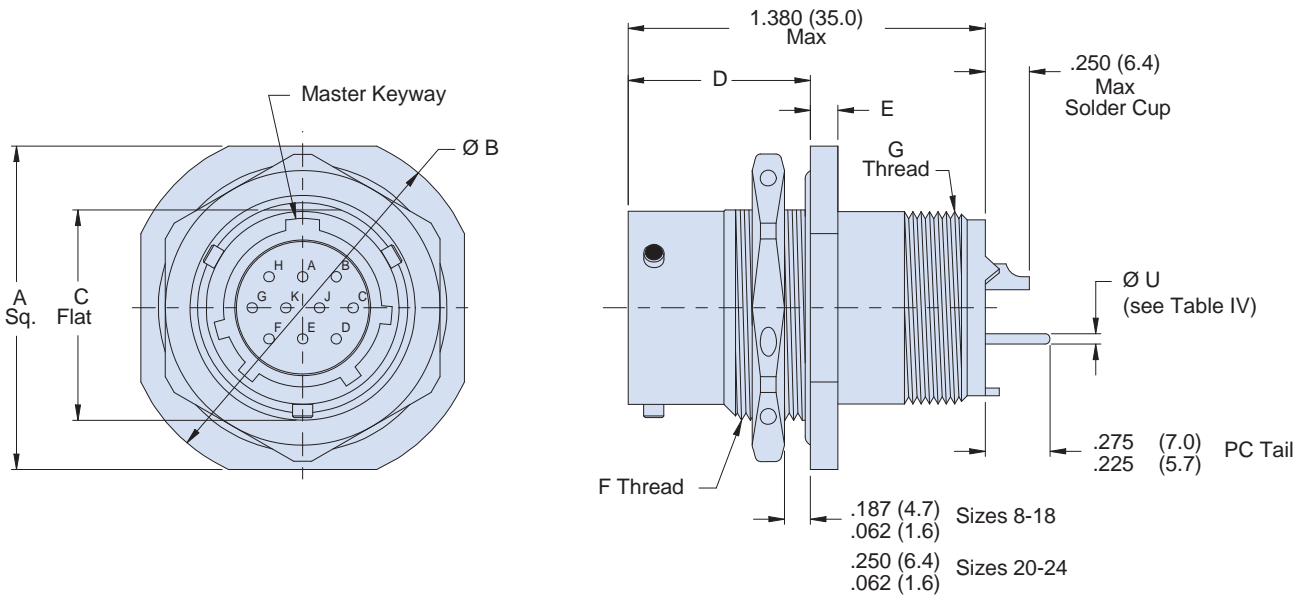


240-264J  
MIL-DTL-26482 Series II Type Filter Connector  
Jam Nut Receptacle

B

MIL-DTL-26482 SERIES II TYPE JAM NUT RECEPTACLE

How To Order										
Sample Part Number	240-264	J	ME	10-6	P	S	P	A	N	N
Filter Connector	MIL-DTL-26482 Series II Type									
Shell Style	J = Jam Nut									
Connector Class	See Table I									
Insert Arrangement	IAW MIL-STD-1669. (See pages B-62 – B-63)									
Contact Gender	P = Pin S = Socket									
Termination	P = PC Tail S = Solder Cup									
Filter Type	P = Pi Circuit C = C Circuit (See Note 1)									
Capacitance	See Table II									
Flange Mounting Style	N = Not Applicable									
Alternate Insert Position	W, X, Y, Z, N = Normal (See page B-63)									



**Notes**

1. Other filter styles (C-L, L-C, Unbalanced Pi, Multi-Stage, Multi-Value) are available, please consult the factory.

Dimensions in inches (millimeters) and are subject to change without notice.

240-264J  
MIL-DTL-26482 Series II Type Filter Connector  
Jam Nut Receptacle



MIL-DTL-26482  
Type

B

Table I: Connector Class

Sym	Class	Material	Finish Description
ME	Environmental	Aluminum	Electroless Nickel
MT	Environmental	Aluminum	Ni-PTFE 1000 Hour Grey™ Nickel Fluorocarbon Polymer
NF	Environmental	Aluminum	Cadmium O.D. Over Electroless Nickel
ZL	Environmental	Stainless Steel	Electro-Deposited Nickel
ZN	Environmental	Aluminum	Zinc-Nickel, Olive Drab
ZR	Environmental	Aluminum	Zinc Nickel, Black - RoHS
H2*	Hermetic	Stainless Steel	Electro-Deposited Nickel

\*Some dimensions do not apply. See drawing 240-264JH2

Table II: Capacitor Array Code Capacitance Range

Class	Pi - Circuit (pF)	C - Circuit (pF)
X*	160,000 - 240,000	80,000 - 120,000
Y*	80,000 - 120,000	40,000 - 60,000
Z*	60,000 - 90,000	30,000 - 45,000
A	38,000 - 56,000	19,000 - 28,000
B	32,000 - 45,000	16,000 - 22,500
C	18,000 - 33,000	9,000 - 16,500
D	8,000 - 12,000	4,000 - 6,000
E	3,300 - 5,000	1,650 - 2,500
F	800 - 1,300	400 - 650
G	400 - 600	200 - 300
J	70-120	35-60

\* Filter Classes X, Y and Z are 250 VDC.  
All others are 500 VDC

Table IV: PC Tail Dia

Contact Size	Ø U
20	.031 (0.79)
	.029 (0.74)
16	.042 (1.07)
	.038 (0.97)
12	.096 (2.44)
	.092 (2.34)

Table III: Dimensions

Shell Size	A Sq.	Ø B	C Flat ±.005 (.13)	D	E	F Thread	G Thread
8	.954 (24.2)	1.078 (27.4)	.525 (13.3)	.707 (18.0)	.113 (2.9)	.5625-24 UNEF-2A	.5000-20 UNF-2A
	.923 (23.4)	1.047 (26.6)		.658 (17.6)	.086 (2.2)		
10	1.078 (27.4)	1.203 (30.6)	.650 (16.5)	.707 (18.0)	.113 (2.9)	.6875-24 UNEF-2A	.6250-24 UNEF-2A
	1.047 (26.6)	1.172 (29.8)		.658 (17.6)	.086 (2.2)		
12	1.266 (32.2)	1.391 (35.3)	.813 (20.6)	.707 (18.0)	.113 (2.9)	.8750-20 UNEF-2A	.7500-20 UNEF-2A
	1.235 (31.4)	1.360 (34.5)		.658 (17.6)	.086 (2.2)		
14	1.391 (35.3)	1.516 (38.6)	.937 (23.8)	.707 (18.0)	.113 (2.9)	1.0000-20 UNEF-2A	.8750-20 UNEF-2A
	1.360 (34.5)	1.485 (37.7)		.658 (17.6)	.086 (2.2)		
16	1.516 (38.5)	1.641 (41.7)	1.061 (27.0)	.707 (18.0)	.113 (2.9)	1.1250-18 UNEF-2A	1.0000-20 UNEF-2A
	1.485 (37.7)	1.610 (40.9)		.658 (17.6)	.086 (2.2)		
18	1.641 (41.7)	1.766 (44.9)	1.186 (30.1)	.707 (18.0)	.113 (2.9)	1.2500-18 UNEF-2A	1.0625-18 UNEF-2A
	1.610 (40.9)	1.735 (44.1)		.658 (17.6)	.086 (2.2)		
20	1.828 (46.6)	1.954 (49.6)	1.311 (33.3)	.772 (19.6)	.148 (3.8)	1.3750-18 UNEF-2A	1.1875-18 UNEF-2A
	1.797 (45.6)	1.923 (48.8)		.721 (18.3)	.096 (2.4)		
22	1.954 (49.6)	2.078 (52.8)	1.436 (36.5)	.772 (19.6)	.148 (3.8)	1.5000-18 UNEF-2A	1.3125-18 UNEF-2A
	1.923 (48.8)	2.047 (52.0)		.721 (18.3)	.096 (2.4)		
24	2.078 (52.8)	2.203 (56.0)	1.561 (39.7)	.772 (19.6)	.148 (3.8)	1.6250-18 UNEF-2A	1.4375-18 UNEF-2A
	2.047 (52.0)	2.172 (55.2)		.721 (18.3)	.096 (2.4)		

Dimensions in inches (millimeters) and are subject to change without notice.