

180-118ASR

Next Generation MIL-PRF-64266/9 (NGCON) Type
Fiber Optic Alignment Sleeve Retainer (ASR)



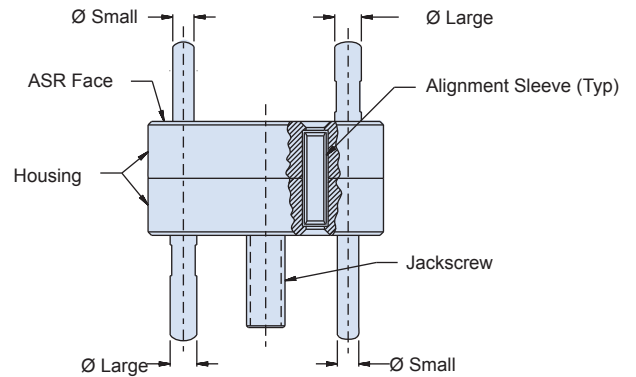
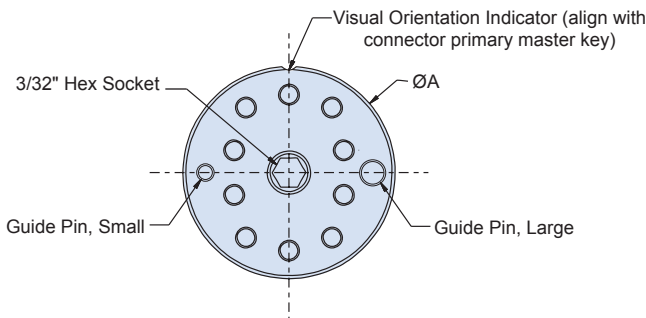
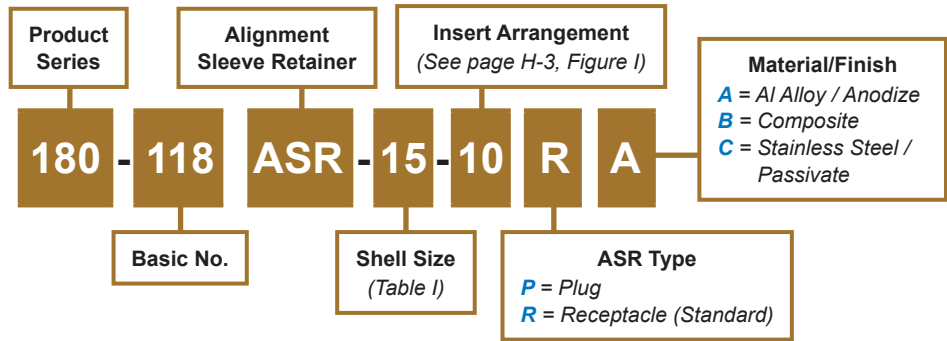
MIL-PRF-64266
(NGCON)



MIL-PRF-64266/9 (NGCON) type alignment sleeve retainer (ASR)



How To Order



Shell Size 15
Arrangement 10 Shown

Table I			
Shell Size	Shell Size Code (Ref)	Arrangement	ØA Max
11	B	2 or 4	.412 (10.5)
13	C	6	.488 (12.4)
15	D	8 or 10	.666 (16.9)
23	H	18 or 36	1.070 (27.2)

Material and Finish

Housing: Al Alloy/Anodize
Alignment Sleeve: Zirconia Ceramic
Guide Pins, Jackscrew: Stainless/Passivate

