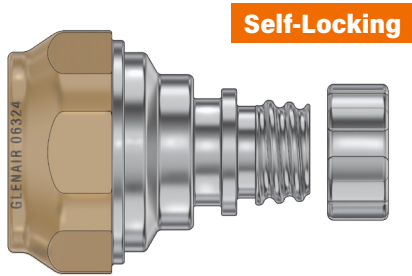


Series 31 Shrink Boot Adapters

for AS50151 Crimp, M26482 Series II, M83723 Series III, AS95234

311A*019 Shrink Boot Adapter, Braid Trap, Composite



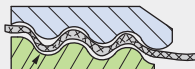
Self-Locking

Adapter Code **A**

AS50151 crimp, AS95234, MIL-DTL-26482 Ser. II, MIL-DTL-83723 Ser. III

BRAID TRAP

TAPERED CANDELABRA THREAD



Corrosion-proof composite material. 311A*019 composite shrink boot adapter fits AS50151 crimp (MS3450), AS95234, MIL-DTL-26482 Series II, MIL-DTL-83723 Series III connectors. Adapter has candelabra-style tapered thread to captivate shield braid under nut. install optional lipped shrink boot over nut for environmental protection. Anti-decoupling mechanism provides audible detented coupling and prevents backoff under high vibration. Supplied as adapter only or as kit with shrink boot. Glass-filled high performance thermoplastic.

PART NUMBER

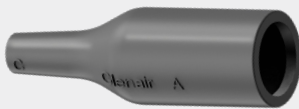
			311AS019	XM	20	06	T
Base P/N	Base Part No.	Profile					
	311AS019	S Straight					
	311AT019	T 45°					
	311AW019	W 90°					
Finish	XM	Electroless Nickel	<i>Coupling nut is natural amber color, unplated</i>				
	XMT	Nickel-PTFE					
	XW	Olive Drab Cadmium					
	XZR	Black Zinc-Nickel					
Shell Size	08 10 12 14 16 18 20 22 24						
Entry Size	<i>See Table 1</i>						
Shrink Boot	<i>Omit if not required</i>						
	T	Shrink Boot included					

TABLE 1: ENTRY SIZE

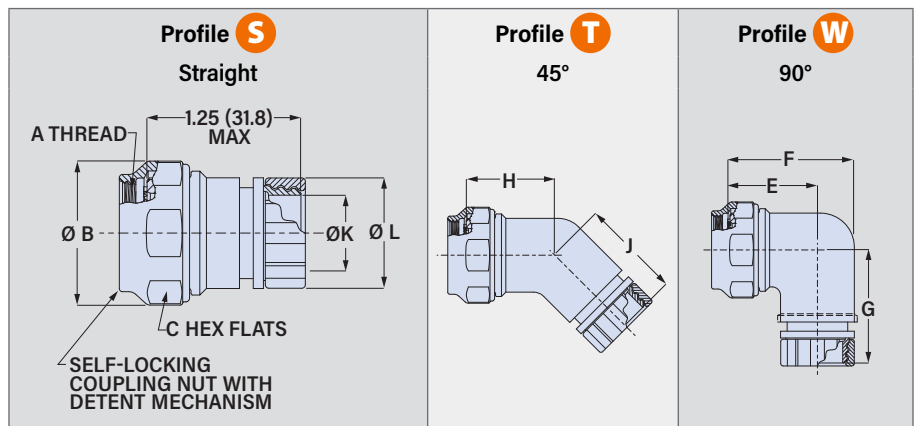
Entry Size	Shell Sizes	K Entry Dia.		L	
		±.030 (0.8) in mm	±.06 (1.5) in mm	±.06 (1.5) in mm	±.06 (1.5) in mm
02	08-24	.250	6.4	.52	13.2
03	10-24	.375	9.5	.64	16.3
04	12-24	.500	12.7	.77	19.6
05	14-24	.625	15.9	.92	23.4
06	16-24	.750	19.1	1.02	25.9
07	18-24	.810	20.6	1.14	29.0
08	20-24	.940	23.9	1.27	32.3
09	22-24	1.060	26.9	1.43	36.3
10	24	1.190	30.2	1.52	38.6

SHRINK BOOT

Optional heatshrink boot provides cable strain relief and environmental protection. Type 1 high-performance semi-rigid elastomer resists fuels and oils and withstands temperature extremes.



Entry Size	Shrink Boot P/N
02	770-003S112
03	770-001S103
04	770-001S103
05	770-001S104
06	770-001S104
07	770-001S105
08	770-001S106
09	770-001S107
10	770-001S107



Shell Size	A Thread Class 2B	ø B Max		C Hex Flats		ø E ±.06(1.5)		F ±.09(2.3)		G ±.09(2.3)		H ±.06(1.5)		J ±.09(2.3)		Max Entry Size
		in	mm	in	mm	in	mm	in	mm	in	mm	in	mm			
08	0.500-20 UNF	.86	21.8	.750	19.1	.69	17.5	.88	22.4	1.19	30.2	.72	18.3	1.00	25.4	02
10	0.625-24 UNEF	.98	24.9	.875	22.2	.75	19.1	1.00	25.4	1.25	31.8	.75	19.1	1.06	26.9	03
12	0.750-20 UNEF	1.16	29.5	1.000	25.4	.81	20.6	1.13	28.7	1.31	33.3	.75	19.1	1.13	28.7	04
14	0.875-20 UNEF	1.28	32.5	1.125	28.6	.88	22.4	1.31	33.3	1.38	35.1	.76	19.3	1.16	29.5	05
16	1.000-20 UNEF	1.41	35.8	1.250	31.8	.94	23.9	1.38	35.1	1.44	36.6	.78	19.8	1.18	30.0	06
18	1.0625-18 UNEF	1.52	38.6	1.375	34.9	.97	24.6	1.44	36.6	1.47	37.3	.79	20.1	1.19	30.2	07
20	1.1875-18 UNEF	1.64	41.7	1.500	38.1	1.06	26.9	1.63	41.4	1.56	39.6	.82	20.8	1.22	31.0	08
22	1.3125-18 UNEF	1.77	45.0	1.625	41.3	1.13	28.7	1.75	44.5	1.63	41.4	.86	21.8	1.26	32.0	09
24	1.4375-18 UNEF	1.89	48.0	1.750	44.5	1.19	30.2	1.88	47.8	1.69	42.9	.89	22.6	1.29	32.8	10