

Series 31 Shrink Boot Adapters

for MIL-DTL-38999 Series III and IV Connectors

310HS048 Shrink Boot Adapter, Pre-installed Boot, Composite



Self-Locking

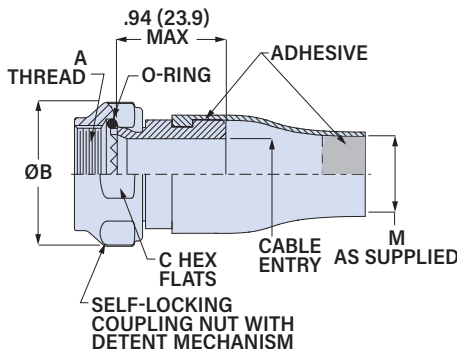
- Pre-installed boot for 50% faster boot installation
- Environmental
- Adhesive lined
- 3 boot material options
- Corrosion-proof composite

Adapter Code **H**

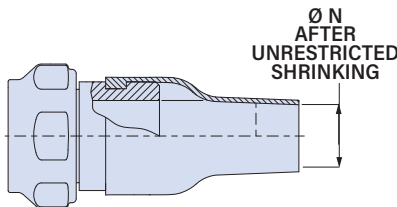
This accessory fits these connectors:
MIL-DTL-38999 Series III and Series IV

Fast installation, environmental, self-locking, corrosion-proof composite. 310HS048 "piggyback" shrink boot adapter fits MIL-DTL-38999 Series III and IV connectors. Use with jacketed, unshielded cable. Piggyback boots reduce boot installation time by 50% and eliminate misalignment problems. Anti-decoupling mechanism provides audible detented coupling and prevents backoff under high vibration. Three boot materials: Type 1 high performance elastomer, Type 2 zero halogen or Type 3 flexible polyolefin Adapter is glass-filled high performance thermoplastic, silicone O-ring.

As Supplied



After Shrinking



PART NUMBER

310HS048 XB 23 -1

Base P/N	310HS048																														
Finish	XB No Plating, Black																														
Shell Size	<table border="1"> <tr> <td>Shell Size</td> <td>9</td><td>11</td><td>13</td><td>15</td><td>17</td><td>19</td><td>21</td><td>23</td><td>25</td> </tr> <tr> <td></td> <td>A</td><td>B</td><td>C</td><td>D</td><td>E</td><td>F</td><td>G</td><td>H</td><td>J</td> </tr> <tr> <td>Size Code</td> <td>09</td><td>11</td><td>13</td><td>15</td><td>17</td><td>19</td><td>21</td><td>23</td><td>25</td> </tr> </table>	Shell Size	9	11	13	15	17	19	21	23	25		A	B	C	D	E	F	G	H	J	Size Code	09	11	13	15	17	19	21	23	25
Shell Size	9	11	13	15	17	19	21	23	25																						
	A	B	C	D	E	F	G	H	J																						
Size Code	09	11	13	15	17	19	21	23	25																						
Boot Material	<ul style="list-style-type: none"> -1 Type 1 High Performance Semi-Rigid Elastomer -2 Type 2 Zero Halogen Semi-Rigid Polyolefin -3 Type 3 Flexible Polyolefin 																														

SHRINK BOOT MATERIAL SELECTION GUIDE

	Type 1 High Performance	Type 2 Zero Halogen	Type 3 General Purpose
Material	Semi-Rigid Elastomer	Semi-Rigid Polyolefin	Flexible Polyolefin
Resistance to Fuels, Oils	Excellent	Very Good	Good
Adhesive Type	W1 Hot Melt	W1 Hot Melt	W2 Hot Melt
Continuous Operating Temp.	-55 to +125 °C	-55 to +125 °C	-55 to +70 °C
Low Smoke/Zero Halogen	No	Yes	No
SAE Material Type	AS5258 Type H	AS5258 Type G	AS81765/1 Type 1

Shell Size	A Thread	Ø B Max		C Hex Flats		Ø M Min		Ø N Max		Min Cable Entry	
		in	mm	in	mm	in	mm	in	mm	in	mm
9 (A)	M12X1.0-6H	.86	21.8	.750	19.1	.250	6.4	.197	5.0	.250	6.4
11 (B)	M15X1.0-6H	.98	24.9	.875	22.2	.355	9.0	.197	5.0	.355	9.0
13 (C)	M18X1.0-6H	1.16	29.5	1.000	25.4	.491	12.5	.236	6.0	.491	12.5
15 (D)	M22X1.0-6H	1.28	32.5	1.125	28.6	.565	14.4	.236	6.0	.565	14.4
17 (E)	M25X1.0-6H	1.41	35.8	1.250	31.8	.690	17.5	.276	7.0	.690	17.5
19 (F)	M28X1.0-6H	1.52	38.6	1.375	34.9	.769	19.5	.335	8.5	.769	19.5
21 (G)	M31X1.0-6H	1.64	41.7	1.500	38.1	.894	22.7	.394	10.0	.894	22.7
23 (H)	M34X1.0-6H	1.77	45.0	1.625	41.3	1.019	25.9	.394	10.0	1.019	25.9
25 (J)	M37X1.0-6H	1.89	48.0	1.750	44.5	1.134	28.8	.591	15.0	1.134	28.8