

# Series 31 Shrink Boot Adapters

for MIL-DTL-38999 Series III and IV Connectors

## 310H\*057 Shrink Boot Adapter, Pre-installed Boot, EMI Band Adapter, Composite



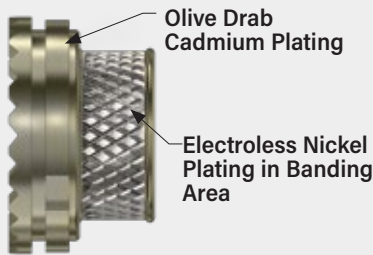
**Self-Locking**

- Pre-installed boot
- 50% faster installation
- Environmental
- Adhesive lined boot
- Corrosion-proof composite material
- EMI banding adapter

### Adapter Code **H**

This accessory fits these connectors:  
MIL-DTL-38999 Series III and Series IV

### FIG. 1: NFS PLATING



**Banding Adapter with selective NFS plating finish**

### BAND

Terminate cable braid to adapter with banding strap. Glenair's Band-Master ATS® banding system provides quick, easy, cost-effective and highly reliable termination of braid shield. Stainless steel.



**Micro Band**



**Hand Tool  
601-101**

Pre-Coiled Band P/N	Length	Max Dia.
<b>601-061</b>	8.13 (206)	.88 (22.4)
<b>601-065</b>	14.25 (362)	1.80 (45.7)

**Fast installation, shielded, environmental, self-locking.** 310H\*057 "piggyback" shrink boot adapter fits MIL-DTL-38999 Series III and IV connectors. Use with jacketed, shielded cable. Terminate cable overbraid to EMI banding adapter with optional stainless steel microband. Piggyback boots reduce boot installation time by 50% and eliminate misalignment problems. Anti-decoupling mechanism provides audible detented coupling and prevents backoff under high vibration. Three boot materials: Type 1 high performance elastomer, Type 2 zero halogen or Type 3 flexible polyolefin Coupling nut and adapter body are PEI thermoplastic. EMI adapter is brass. Silicone O-ring, polyamide hot melt adhesive.

### PART NUMBER

**310HS057 BM 19 -1 K**

<b>Base P/N</b>	Base Part No.	Profile
	<b>310HS057</b> <b>S</b>	Straight
	<b>310HA057</b> <b>A</b>	90° Boot
	<b>310HB057</b> <b>B</b>	45° Boot
<b>EMI Adapter Finish</b>	<b>BM</b>	Electroless Nickel
	<b>BMT</b>	Nickel-PTFE
	<b>BNS</b>	Olive Drab Cadmium, Selective (fig. 1)
<b>Shell Size</b>	Shell Size	9 11 13 15 17 19 21 23 25
	Size Code	<b>09 11 13 15 17 19 21 23 25</b>
<b>Boot Material</b>	<b>-1</b>	Type 1 High Performance Semi-Rigid Elastomer
	<b>-2</b>	Type 2 Zero Halogen Semi-Rigid Polyolefin
	<b>-3</b>	Type 3 Flexible Polyolefin
<b>Band</b>	<i>Omit if not required</i>	
	<b>K</b>	Pre-Coiled MicroBand included With Backshell

### SHRINK BOOT MATERIAL SELECTION GUIDE

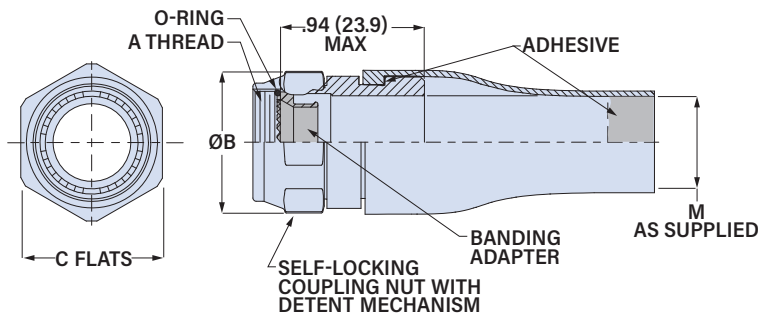
	Type 1 High Performance	Type 2 Zero Halogen	Type 3 General Purpose
<b>Material</b>	Semi-Rigid Elastomer	Semi-Rigid Polyolefin	Flexible Polyolefin
<b>Resistance to Fuels, Oils</b>	Excellent	Very Good	Good
<b>Adhesive Type</b>	W1 Hot Melt	W1 Hot Melt	W2 Hot Melt
<b>Continuous Operating Temp.</b>	-55 to +125 °C	-55 to +125 °C	-55 to +70 °C
<b>Low Smoke/Zero Halogen</b>	No	Yes	No
<b>SAE Material Type</b>	AS5258 Type H	AS5258 Type G	AS81765/1 Type 1

# Series 31 Shrink Boot Adapters

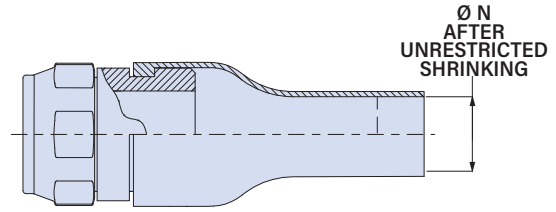
for MIL-DTL-38999 Series III and IV Connectors

## 310H\*057 Shrink Boot Adapter, Pre-installed Boot, EMI Band Adapter, Composite

**As Supplied**

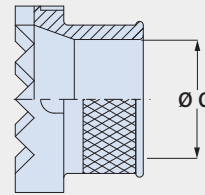


**After Shrinking**



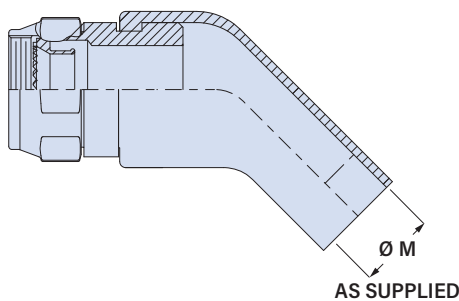
Shell Size	A Thread	Ø B Max		C Hex Flats		Ø M Min		Ø N Max	
		in	mm	in	mm	in	mm	in	mm
9 (A)	M12X1.0-6H	.86	21.8	.750	19.1	.250	6.4	.197	5.0
11 (B)	M15X1.0-6H	.98	24.9	.875	22.2	.355	9.0	.197	5.0
13 (C)	M18X1.0-6H	1.16	29.5	1.000	25.4	.491	12.5	.236	6.0
15 (D)	M22X1.0-6H	1.28	32.5	1.125	28.6	.565	14.4	.236	6.0
17 (E)	M25X1.0-6H	1.41	35.8	1.250	31.8	.690	17.5	.276	7.0
19 (F)	M28X1.0-6H	1.52	38.6	1.375	34.9	.769	19.5	.335	8.5
21 (G)	M31X1.0-6H	1.64	41.7	1.500	38.1	.894	22.7	.394	10.0
23 (H)	M34X1.0-6H	1.77	45.0	1.625	41.3	1.019	25.9	.394	10.0
25 (J)	M37X1.0-6H	1.89	48.0	1.750	44.5	1.134	28.8	.591	15.0

**BANDING ADAPTER**



Shell Size	G Dia. ± .015 (0.4)	in	mm
11 (B)	.270	6.9	
13 (C)	.390	9.9	
15 (D)	.512	13.0	
17 (E)	.637	16.2	
19 (F)	.757	19.2	
21 (G)	.881	22.4	
23 (H)	1.006	25.6	
25 (J)	1.131	28.7	

**45°**



**90°**

