

Series 31 Shrink Boot Adapters

for MIL-DTL-38999 Series I and II Connectors

310F*058 Shrink Boot Adapter, Pre-installed Boot, EMI Band Adapter



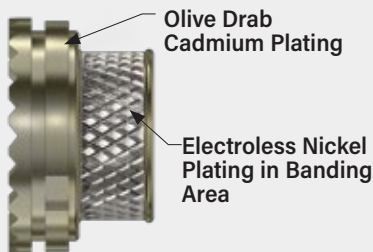
Self-Locking

- Pre-installed boot
- 50% faster installation
- Environmental
- Adhesive lined boot
- 3 material options
- "Drop-in" EMI banding adapter

Adapter Code **F**

This accessory fits these connectors:
MIL-DTL-38999 Series I and Series II

FIG. 1: NFS PLATING



Banding Adapter with selective NFS plating finish

BAND

Terminate cable braid to adapter with banding strap. Glenair's Band-Master ATS® banding system provides quick, easy, cost-effective and highly reliable termination of braid shield. Stainless steel.



Pre-Coiled Band P/N	Length	Max Dia.
601-061	8.13 (206)	.88 (22.4)
601-065	14.25 (362)	1.80 (45.7)

Fast installation, shielded, environmental, self-locking. 310F*058 "piggyback" shrink boot adapter fits MIL-DTL-38999 Series I and II connectors. Use with jacketed, shielded cable. Terminate cable overbraid to EMI banding adapter with optional stainless steel microband. Piggyback boots reduce boot installation time by 50% and eliminate misalignment problems. Anti-decoupling mechanism provides audible detented coupling and prevents backoff under high vibration. Three boot materials: Type 1 high performance elastomer, Type 2 zero halogen or Type 3 flexible polyolefin. Backshell, coupling nut and drop-in banding adapter are aluminum. Silicone O-ring, polyamide hot melt adhesive.

PART NUMBER

310FS058 NF 16 -2 K

Base P/N	Base Part No.	Profile								
	310FS058 S	Straight								
	310FA058 A	90° Boot								
	310FB058 B	45° Boot								
Material/Finish	M	Alum/ Electroless Nickel								
	MT	Alum/ Nickel-PTFE								
	NF	Alum/ Olive Drab Cadmium								
	NFS	Alum/ Olive Drab Cadmium, Selective (<i>fig. 1</i>)								
	ZR	Alum/ Black Zinc-Nickel								
	TZ	Alum/ Tin-Zinc								
Shell Size	Shell Size									
	38999 Series I	9	11	13	15	17	19	21	23	25
	38999 Series II	8	10	12	14	16	18	20	22	24
	Size Code	08	10	12	14	16	18	20	22	24
Boot Material	-1	Type 1 High Performance Semi-Rigid Elastomer								
	-2	Type 2 Zero Halogen Semi-Rigid Polyolefin								
	-3	Type 3 Flexible Polyolefin								
Band	<i>Omit if not required</i>									
	K	Pre-Coiled MicroBand included With Backshell								

SHRINK BOOT MATERIAL SELECTION GUIDE

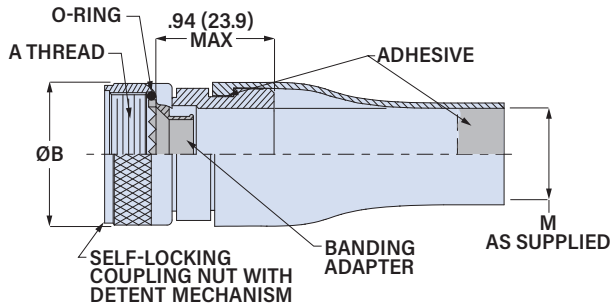
	Type 1 High Performance	Type 2 Zero Halogen	Type 3 General Purpose
Material	Semi-Rigid Elastomer	Semi-Rigid Polyolefin	Flexible Polyolefin
Resistance to Fuels, Oils	Excellent	Very Good	Good
Adhesive Type	W1 Hot Melt	W1 Hot Melt	W2 Hot Melt
Continuous Operating Temp.	-55 to +125 °C	-55 to +125 °C	-55 to +70 °C
Low Smoke/Zero Halogen	No	Yes	No
SAE Material Type	AS5258 Type H	AS5258 Type G	AS81765/1 Type 1

Series 31 Shrink Boot Adapters

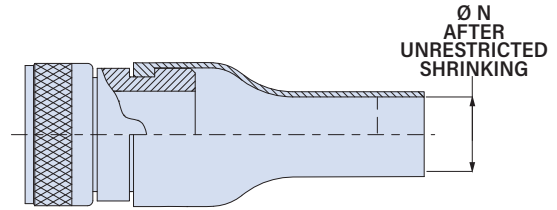
for MIL-DTL-38999 Series I and II Connectors

310F*058 Shrink Boot Adapter, Pre-installed Boot, EMI Band Adapter

As Supplied

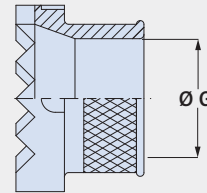


After Shrinking



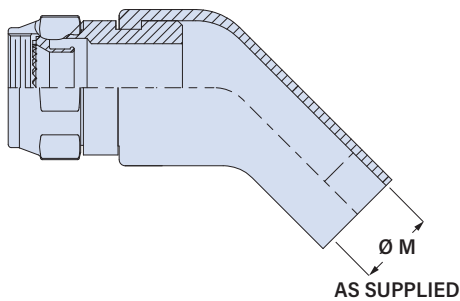
Shell Size	A Thread UNEF-2B	Ø B Max		Ø M Min		Ø N Max	
		in	mm	in	mm	in	mm
8/9	0.4375-28	.86	21.8	.250	6.4	.197	5.0
10/11	0.5625-24	.97	24.6	.355	9.0	.197	5.0
12/13	0.6875-24	1.11	28.2	.491	12.5	.236	6.0
14/15	0.8125-20	1.21	30.7	.565	14.4	.236	6.0
16/17	0.9375-20	1.35	34.3	.690	17.5	.276	7.0
18/19	1.0625-18	1.46	37.1	.769	19.5	.335	8.5
20/21	1.1875-18	1.60	40.6	.894	22.7	.394	10.0
22/23	1.3125-18	1.70	43.2	1.019	25.9	.394	10.0
24/25	1.4375-18	1.84	46.7	1.134	28.8	.591	15.0

BANDING ADAPTER



Shell Size	G Dia. ± .015 (0.4)	
	in	mm
08	.138	3.5
10	.248	6.3
12	.374	9.5
14	.455	11.6
16	.577	14.7
18	.672	17.1
20	.797	20.2
22	.922	23.4
24	1.047	26.6

45°



90°

