

Series 31 Shrink Boot Adapters

for MIL-DTL-38999 Series I and II Connectors

310F*057 Shrink Boot Adapter, Pre-installed Boot, EMI Band Adapter, Composite



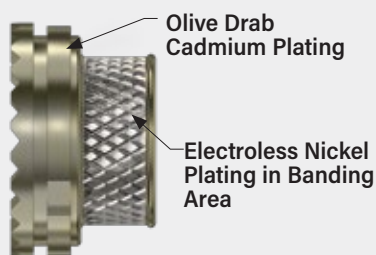
Self-Locking

- Pre-installed boot
- 50% faster installation
- Environmental
- Adhesive lined boot
- Corrosion-proof composite material
- EMI banding adapter

Adapter Code **F**

This accessory fits these connectors:
MIL-DTL-38999 Series I and Series II

FIG. 1: NFS PLATING



Banding Adapter with selective NFS plating finish

BAND

Terminate cable braid to adapter with banding strap. Glenair's Band-Master ATS® banding system provides quick, easy, cost-effective and highly reliable termination of braid shield. Stainless steel.



Micro Band



Hand Tool
601-101

Pre-Coiled

Band P/N	Length	Max Dia.
601-061	8.13 (206)	.88 (22.4)
601-065	14.25 (362)	1.80 (45.7)

Fast installation, shielded, environmental, self-locking. 310F*057 "piggyback" shrink boot adapter fits MIL-DTL-38999 Series I and II connectors. Use with jacketed, shielded cable. Terminate cable overbraid to EMI banding adapter with optional stainless steel microband. Piggyback boots reduce boot installation time by 50% and eliminate misalignment problems. Anti-decoupling mechanism provides audible detented coupling and prevents backoff under high vibration. Three boot materials: Type 1 high performance elastomer, Type 2 zero halogen or Type 3 flexible polyolefin. Coupling nut and adapter body are PEI thermoplastic. EMI adapter is brass. Silicone O-ring, polyamide hot melt adhesive.

PART NUMBER

310FS057 BM 18 -1 K

Base P/N	Base Part No.	Profile								
	310FS057 S	Straight								
	310FA057 A	90° Boot								
	310FB057 B	45° Boot								
EMI Adapter Finish	BM	Electroless Nickel								
	BMT	Nickel-PTFE								
	BNS	Olive Drab Cadmium, Selective (fig. 1)								
Shell Size	Shell Size									
	38999 Series I	9	11	13	15	17	19	21	23	25
	38999 Series II	8	10	12	14	16	18	20	22	24
	Size Code	08	10	12	14	16	18	20	22	24
Boot Material	-1	Type 1 High Performance Semi-Rigid Elastomer								
	-2	Type 2 Zero Halogen Semi-Rigid Polyolefin								
	-3	Type 3 Flexible Polyolefin								
Band	Omit if not required									
	K	Pre-Coiled MicroBand included With Backshell								

SHRINK BOOT MATERIAL SELECTION GUIDE

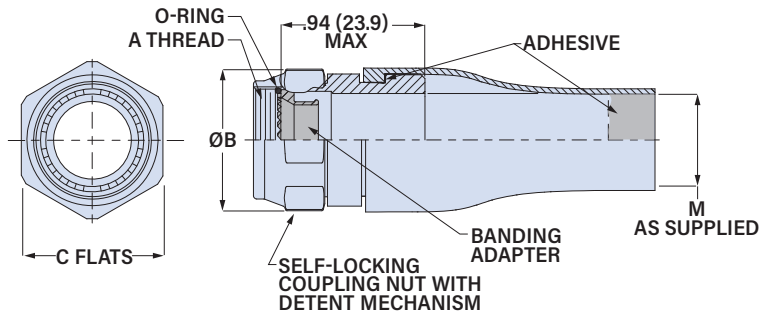
	Type 1 High Performance	Type 2 Zero Halogen	Type 3 General Purpose
Material	Semi-Rigid Elastomer	Semi-Rigid Polyolefin	Flexible Polyolefin
Resistance to Fuels, Oils	Excellent	Very Good	Good
Adhesive Type	W1 Hot Melt	W1 Hot Melt	W2 Hot Melt
Continuous Operating Temp.	-55 to +125 °C	-55 to +125 °C	-55 to +70 °C
Low Smoke/Zero Halogen	No	Yes	No
SAE Material Type	AS5258 Type H	AS5258 Type G	AS81765/1 Type 1

Series 31 Shrink Boot Adapters

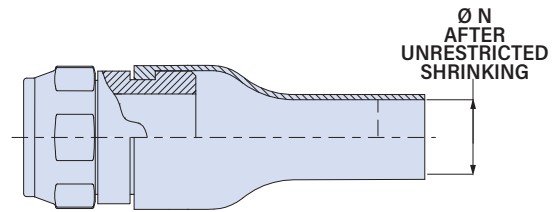
for MIL-DTL-38999 Series I and II Connectors

310F*057 Shrink Boot Adapter, Pre-installed Boot, EMI Band Adapter, Composite

As Supplied

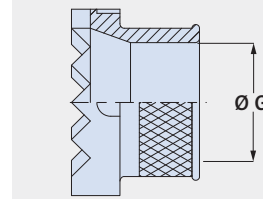


After Shrinking



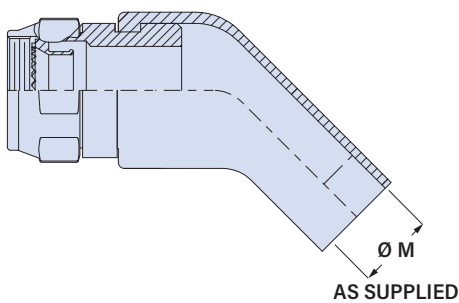
Shell Size	A Thread UNEF-2B	Ø B Max in	mm	C Hex Flats in	mm	Ø M Min in	mm	Ø N Max in	mm
08	0.4375-28	.86	21.8	.750	19.1	.250	6.4	.197	5.0
10	0.5625-24	.98	24.9	.875	22.2	.355	9.0	.197	5.0
12	0.6875-24	1.16	29.5	1.000	25.4	.491	12.5	.236	6.0
14	0.8125-20	1.28	32.5	1.125	28.6	.565	14.4	.236	6.0
16	0.9375-20	1.41	35.8	1.250	31.8	.690	17.5	.276	7.0
18	1.0625-18	1.52	38.6	1.375	34.9	.769	19.5	.335	8.5
20	1.1875-18	1.64	41.7	1.500	38.1	.894	22.7	.394	10.0
22	1.3125-18	1.77	45.0	1.625	41.3	1.019	25.9	.394	10.0
24	1.4375-18	1.89	48.0	1.750	44.5	1.134	28.8	.591	15.0

BANDING ADAPTER



Shell Size	G Dia. ± .015 (0.4)	in	mm
08	.140	3.6	
10	.270	6.9	
12	.390	9.9	
14	.512	13.0	
16	.637	16.2	
18	.757	19.2	
20	.881	22.4	
22	1.006	25.6	
24	1.131	28.7	

45°



90°

