



MISSION-CRITICAL
INTERCONNECT
SOLUTIONS



INTEROPERABLE
NATO STANAG 4695
Soldier Power Connectors



BATTLE-TESTED

STAR-PAN™

The Scalable, Multiport USB Hub, Cable,
and Power Management System from Glenair

FEBRUARY 2024



BATTLE-TESTED
STAR-PAN™

Powering soldier connectivity and C4ISR mission success

Battlefield Management System (BMS) electronics have revolutionized mission effectiveness. But the relentless evolution of C4ISR devices including precision targeting, ground and air radio communications, real-time video downlink, GPS/navigation, and personal area network computing has added significant mission weight to the dismounted soldier ensemble. Battery power management for this broad range of electronic gear is a significant challenge in terms of mission time, weight, and supply logistics. The Glenair STAR-PAN™ data hub and power distribution system enables soldiers—from standard light infantry to Special Operation Forces—to make the most of C4ISR technology, improving situational awareness, surveillance, intelligence and reconnaissance while optimizing power monitoring and distribution performance. Importantly, all STAR-PAN™ technologies—from the scalable range of low-profile hub enclosures to the complete solution set of cables, adapters, and radio sidehats—are designed for optimal size, weight, power, and ruggedness as well as battle-tested environmental and EMC performance. STAR-PAN is equipped exclusively with NATO-standard Mighty Mouse QDC connectors and cables.

STAR-PAN™ packaging reduces heat and increases power efficiency and battery life

- Versatile 2, 4, and 6-port high-speed hub configurations
- Compatible with USB 2.0 and SMBus
- Embedded power charging
- Smart power monitoring for longer mission life
- Robust circuit protection
- MIL-STD-810 harsh-environment tested
- Compliant NATO STANAG 4695 Soldier Power Connector
- MISSION MANAGER for on-the-fly device integration to soldier C4ISR networks



Glenair's Tactical Interconnect Solutions team is backed by six decades of proven, made-in-America interconnect industry performance in service of US and NATO armed forces.

Export of STAR-PAN™ outside of the U.S. is controlled by the U.S. Department of Commerce Export Administration. See individual product pages for details. Consult factory for technology / hardware licensing information.

BATTLE-TESTED

STAR-PAN™

Scalable Multiport USB Hub / Power Distribution Technology for Battlefield C4ISR Applications



STAR-PAN HUBS: SCALABLE MULTIPOINT POWER AND DATA HUBS AND ACCESSORIES



Soldier hubs supporting 2, 4, or 6 USB peripheral devices, radios, end-user host device (EUD), power supplies, and other mission-specific equipment. New 10-user Base Station X.

HUBS

STAR-PAN MISSION MANAGER: DEVICE INTEGRATION AND MANAGEMENT



Provides full-time on-the-fly C4ISR device integration and host-to-broker data exchange between soldier USB peripherals and the EUD.

MISSION
MANAGER

GENERAL-PURPOSE CABLES



Basic range of hub-to-EUD, radio-to-PAN, and core battery hookup cables used in virtually every STAR-PAN configuration.

GENERAL
PURPOSE

RADIO CABLES AND ADAPTERS



Across-the-board integration and cable support for all soldier radio types including radio sidehat power and data adapters.

RADIO
CABLES

POWER CABLES AND BATTERY ADAPTERS



Complete range of cables and battery adapters for all military battery types, next-generation conformal batteries, shared radio power, and AC/DC power sources.

POWER
CABLES

TARGETING CABLES AND ADAPTERS



Integration and cable support for US and NATO-standard hand-held range finders and targeting system devices.

TARGETING
CABLES

VIDEO / GPS AND AUXILIARY C4ISR CABLES



Video downlink, GPS, and auxiliary C4ISR device cables, including the complete range of TacROVER peripherals.

VIDEO / GPS
CABLES

HOST / EUD CABLES AND ADAPTERS



End User Device and Host cables with Micro-B USB 2.0, Micro-B USB 3.0, and USB-C adapters are available for all popular EUD types.

HOST/EUD
CABLES

COMMERCIAL PROTOCOL CABLES AND ADAPTERS



Ruggedized cables and jumpers for the interconnection of devices equipped with commercial interface connectors such as USB, RJ45, and RS-232.

COMMERCIAL
CABLES

SOFT GOODS: MISSION KIT BAGS, POUCHES, CONNECTOR DUST COVERS



Rugged, MOLLE-compatible Mission Bag and Pouches for safe storage, organization, and transport of STAR-PAN™ system hubs, cables, and adapters. Connector dust covers.

SOFT
GOODS



STAR-PAN HUBS / CABLES USE **Mil-Qualified Nett Warrior Power and Data Connectors**

Series 807 Mighty Mouse NW micro miniature connectors for dismounted soldier battery charging, radio, and PAN applications, NSN stock-listed.

Today's warfighters demand quick battery charging and reliable radio operation. Glenair pioneered the original 6-pin Nett Warrior connector, as well as a second-generation 7-pin series with USB-C power integration and delivery. Now Glenair is introducing a signature 10 Amp Crown Ring contact-equipped version for higher-current applications that easily integrates into US / NATO, Nett Warrior, and STAR-PAN hub and cable systems. Contacts are capable of carrying 10 amps of current across 3 separate channels with less than 30°C of temperature rise. Electrical resistance remains consistent across 2000 mating cycles. Best of all, Glenair has integrated the new 10 Amp contact connectors into our next-generation STAR-PAN NG platform, ensuring intelligent, system-wide handling of warfighter electronic equipment—for both 10 Amp-capable devices as well as lower-power legacy hardware.

Glenair STAR-PAN NG hubs and cables—now equipped with 10 Amp Crown Ring contact receptacles—are smart devices capable of managing next-generation high-power equipment as well as lower-power legacy devices.

SERIES 807 MIGHTY MOUSE NW CONNECTOR LINE

All designs backward-compatible with current and legacy Nett Warrior hardware

- **Original 6-pin Nett Warrior plugs and receptacles**
- **Backward-compatible 7-pin series with USB-C power integration and delivery**
- **New 10 Amp receptacles for higher-current soldier battery, radio, and PAN C4ISR equipment**



EQUIPPED WITH US ARMY AND NATO QUALIFIED

Nett Warrior Connectors

For STAR-PAN hub systems, Nett Warrior C4ISR hardware, next-gen and legacy radios and batteries



QUALIFIED FOR USE WITH ALL STAR-PAN AND STAR-PAN NG POWER / DATA HUBS

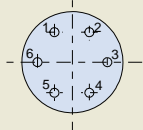


Glenair Signature Mighty Mouse 807 NW connectors are available in pigtail and point-to-point cables for all US/NATO soldier C4ISR devices.

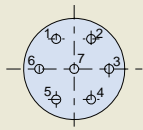
MATERIALS / FINISH

- Shell: Al alloy / ZNU plated
- Contacts: Cu alloy / Au plated
- Insulators: Rigid dielectric
- O-rings: Fluorosilicone

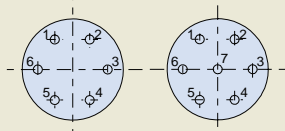
Series 807 NW Nett Warrior Connector Insert Arrangements



Original NSN-Listed 6-Pin (Nett Warrior Program / NATO STANAG 4695 Approved)

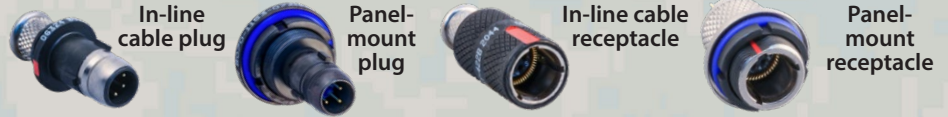


Backward-Compatible 7-Pin USB-C Power Series



10-Amp STAR-PAN NG Series 6-6 and 6-7 Arrangements

SERIES 807 MIGHTY MOUSE NW CONNECTOR LINE: HOW-TO-ORDER



Series 807 NW Plugs (6 pin)	Crimp	PC Tail	Solder Cup	In-Line	Rear Mount Jam Nut	Front Mount Jam Nut
8070-1676-06ZNU6-6PY NSN 5935-01-659-5575	X			X		
807-871-06ZNU6-6PY	X			X		
807-309-06ZNU6-6PY			X	X		
8070-1153-07ZNU6-6EC			X		X	
8070-1153-07ZNU6-6PC		X			X	
8070-1153-00ZNU6-6EC			X			X
8070-1153-00ZNU6-6PC		X				X
Series 807 NW Receptacles (6 socket)	Crimp	PC Tail	Solder Cup	In-Line	Rear Mount Jam Nut	Front Mount Jam Nut
8070-1675-01ZNU6-6SY NSN 5935-01-659-4090	X			X		
8070-1675-07ZNU6-6SY	X				X	
8070-1675-00ZNU6-6SY	X					X
807-874-01ZNU6-6SY	X			X		
807-874-00ZNU6-6SY	X					X
807-874-07ZNU6-6SY	X				X	
807-348-01ZNU6-6SY			X	X		
807-216-07ZNU6-6SY			X		X	
807-216-01ZNU6-6SY			X	X		
807-216-00ZNU6-6SY			X			X
807-216-07ZNU6-6DY		X			X	
807-216-01ZNU6-6DY		X		X		
807-216-00ZNU6-6DY		X				X
Series 807 NW Plugs (7 pin)	Crimp	PC Tail	Solder Cup	In-Line	Rear Mount Jam Nut	Front Mount Jam Nut
8070-1676-06ZNU6-7PY	X			X		
807-871-06ZNU6-7PY	X			X		
Series 807 NW Receptacles (7 socket)	Crimp	PC Tail	Solder Cup	In-Line	Rear Mount Jam Nut	Front Mount Jam Nut
8070-1675-01ZNU6-7SY	X			X		
8070-1675-07ZNU6-7SY	X				X	
8070-1675-00ZNU6-7SY	X					X
807-874-01ZNU6-7SY	X			X		
807-874-00ZNU6-7SY	X					X
807-874-07ZNU6-7SY	X				X	
8070-1299-ZNU6-7DY		X				X
Series 807 NW Receptacles (10 Amp)	Pigtail Assembly	PC Tail	Solder Cup	In-Line	Rear Mount Jam Nut	Front Mount Jam Nut
8071-6924	X			X		
8070-3151-07ZNU6-6SY		X			X	

BATTLE-TESTED

STAR-PAN™

Selection Guide

Hubs, cables, adapters, and accessories



STAR-PAN HUBS: SCALABLE MULTIPOINT POWER AND DATA HUBS

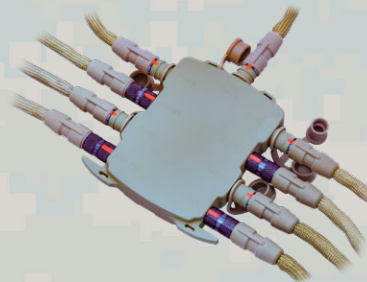
Part No.	NATO Stock No. NSN	Description	Electrical Function	Weight	IP Rating	Protocol	ECCN / EAR	Page No.
808-054 808-058	5995-01-688-2439	STAR-PAN Light bifurcated cable (battery plug / RADIO plug cable ends or battery plug / PAN receptacle cable ends)	Power + Data	122g	IP67	USB1.1 USB2.0	3A611.x	14
808-057-1	6150-01-682-5677	STAR-PAN II hub / cable assembly, optional MOLLE pouch and MOLLE clip	Power + Data	245g	IP67	USB1.1 USB2.0 SMBus	3A611.a	16
808-194-1	5935-01-691-2366	STAR-PAN II connectorized hub, optional MOLLE pouch, clip, and expansion cable	Power + Data	170g	IP67	USB1.1 USB2.0 SMBus	3A611.a	16
808-273		STAR-PAN IV, optional MOLLE pouch, MOLLE clip, general-purpose cable	Power + Data	(consult factory)	IP67	USB1.1 USB2.0 SMBus	3A611.a	22
808-037	6140-01-669-3584	STAR-PAN VI, standard port configuration	Power + Data	337g	IP67	USB1.1 USB2.0 SMBus	3A611.a	28
TS8-462		STAR-PAN X Base Station, with 10 PAN ports	Power + Data	5 lbs.	IP67	USB 3.0 HDMI 10G Ethernet	3A611.a	34
TS3-001		STAR-PAN USB Flash drive (for all STAR-PAN hubs)	Data	(consult factory)				20, 26, 32, 35



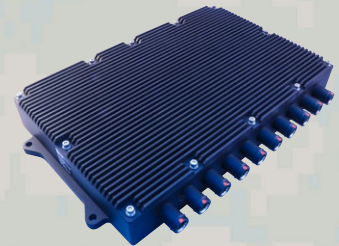
**STAR-PAN™ II
Hub / Cable Assembly and
Connectorized Hub**



STAR-PAN™ IV



STAR-PAN™ VI



**STAR-PAN™ X
Base Station**

STAR-PAN MISSION MANAGER

Part No.	NATO Stock No. NSN	Description	Electrical Function	Weight	IP Rating	Protocol	ECCN / EAR	Page No.
TS2-002	7025-01-687-0223	STAR-PAN MISSION MANAGER, standard	Host Datalink Manager	90g	IP67	USB1.1 / USB2.0 SMBus Ethernet	99	36
TS2-005		STAR-PAN MISSION MANAGER, WiFi version	Host Datalink Manager	(consult factory)	IP67	USB1.1 / USB2.0 SMBus Ethernet	99	36
TS2-010		STAR-PAN MISSION MANAGER, WiFi version with wireless external antenna	Host Datalink Manager	(consult factory)	IP67	USB1.1 / USB2.0 SMBus Ethernet	99	36

BATTLE-TESTED

STAR-PAN™

Selection Guide

Hubs, cables, adapters, and accessories



GENERAL PURPOSE STAR-PAN CABLES

Part No.	NATO Stock No. NSN	Description	Electrical Function	Weight	Standard Length	Cable Finish	ECCN / EAR	Page No.
808-047	5995-01-668-8636	Mighty Mouse 807 universal adapter cable	Power + Data	50g	24"	Santoprene or Nomex	3A611.x	21, 39
808-081	5995-01-682-9386	STAR-PAN II Expansion Cable	Power + Data	56g	8"	Black Santoprene	3A611.x	21
808-095		90° Exit Cable (with 90° plug)	Power + Data	20g	6"	Nomex, O.D.	3A611.x	40
808-244		90° Exit Cable (with 90° receptacle)	Power + Data	20g	6"	Nomex, O.D.	3A611.x	41
808-236		6-6 Receptacle-to-Receptacle Cable	Power + Data	(consult factory)	8"	Black Polyurethane	3A611.x	42
TS8-452		Radio-to-PAN Adapter Cable	Power + Data	(consult factory)	24"	Nomex, O.D.	3A611.x	43
808-129		Plug flying lead assembly	Power + Data	65g	24"	Black Santoprene	99	45
808-130		Receptacle flying lead assembly	Power + Data	65g	24"	Black Santoprene	99	45

STAR-PAN RADIO CABLES AND ADAPTERS

Part No.	NATO Stock No. NSN	Description	Electrical Function	Weight	Standard Length	Cable / Device Finish	ECCN / EAR	Page No.
808-087		AN/PRC-117F Radio Cable (PAN Port)	Data	(consult factory)	36"	Santoprene, Black	3A611.x	49
808-035	5995-01-668-8687	AN/PRC-117G Radio Cable	Power + Data	90g	32"	Nomex, O.D.	3A611.x	50
808-088	5995-01-692-0106	AN/PRC-117G Radio Cable (PAN Port)	Data	90g	32"	Nomex, O.D.	3A611.x	51
808-039		AN/PRC-148 JEM Radio Adapter	Power + Data	122g	20"	Nomex, O.D.	3A611.x	52
TS8-515		AN/PRC-148 Sync Serial Adapter	Power + Data	91g	N/A	Black Zinc-Nickel	3A611.x	53
TS8-431		AN/PRC-152A Radio Adapter	Power + Data	(consult factory)	N/A	Black Zinc-Nickel	3A611.x	54
808-032	5995-01-668-8863	AN/PRC-152A Radio Adapter	Power + Data	116g	24"	Nomex, O.D.	3A611.x	55
TS8-513		AN/PRC-152A Radio Side Connector	Power + Data	(consult factory)	N/A	Black Zinc-Nickel	3A611.x	56
TS8-410		AN/PRC 152/152A Sync Serial Adapter	Power + Data	91g	N/A	Black Zinc-Nickel	3A611.x	57
TS8-508		AN/PRC-161 BATS-D Radio Adapter	Power + Data	(consult factory)	20"	Black Santoprene / ZN	3A611.x	58
TS8-509		AN/PRC-161 BATS-D Radio Adapter, PAN port	Power + Data	(consult factory)	20"	Black Santoprene / ZN	3A611.x	59
808-166		AN/PRC-161 BATS-D Radio Adapter	Power + Data	166g	20"	Nomex, O.D.	3A611.x	60
TS8-409		AN/PRC-161 Radio Ethernet Adapter	Power + Data	(consult factory)	32"	Nomex, O.D.	3A611.x	61
TS8-457		AN/PRC-163 Radio Battery Adapter, Red I/O	Power + Data	(consult factory)	N/A	Black Zinc-Nickel	3A611.x	62
TS8-458		AN/PRC-163 Radio Battery Adapter, Black I/O	Power + Data	(consult factory)	N/A	Black Zinc-Nickel	3A611.x	63
TS8-495		AN/PRC-163 Radio Adapter, Red/Black Switch	Power + Data	(consult factory)	N/A	Black Zinc-Nickel	3A611.x	64
TS8-411		AN/PRC-167 Multi-Function I/O (MFI) Cable	Power + Data	(consult factory)	18"	Santoprene, Black	3A611.x	65
808-132		Elbit PNR 1000 Radio Adapter	Data	80g	21"	Santoprene, Black	3A611.x	66
TS8-470		Elbit PNR 1000 Radio Adapter	Power+Data	42g	N/A	Black Zinc-Nickel	3A611.x	67
TS8-446	5995-01-691-2527	Harris RF-7850S-TR Radio Cable	Data	75g	18"	Santoprene, Black	3A611.x	68
808-257	5995-01-683-8677	Harris RF-7800S Radio Cable	Data	(consult factory)	32"	Nomex, O.D.	3A611.x	69
808-148		Harris RF-7800S Radio Cable (Radio Host)	Data	74g	32"	Nomex, O.D.	3A611.x	70
TS8-466		Harris RF-7800S-TR Radio Cable, PAN Port	Data	(consult factory)	32"	Nomex, O.D.	3A611.x	71
TS8-426		Harris RF-7850M Sync Serial Adapter	Power + Data	91g	N/A	Black Zinc-Nickel	3A611.x	72
808-044		Raytheon RT-1922 Microlight SADL Radio Cable	Power + Data	60g	24"	Nomex, O.D.	3A611.x	73
TS3-009		Thales PR4G Radio Ethernet Cable	Power + Data	(consult factory)	24"	Santoprene, Black	3A611.x	74
TS3-016		TrellisWare TSM Shadow Radio Power Booster	Power + Data	69g	N/A	Black Zinc-Nickel	3A611.x	75
TS8-486		TS-950 Radio Power Booster	Power	(consult factory)	N/A	Black Zinc-Nickel	3A611.x	76
TS1-094		Right-Angle Cable for use with TS8-486	Power + Data	(consult factory)	N/A	Black Santoprene / ZN	EAR99	77
TS1-003		Silvus SC4200 Radio Data Cable, AUX port	Data	(consult factory)	24"	Santoprene, Black	EAR99	78
TS8-539		MPU5 Ethernet Cable	Power + Data	(consult factory)	90"	Black Santoprene / ZN	3A611.x	79
TS8-544		MPU5 Ethernet Cable with RPB Option	Power + Data	(consult factory)	30"	Black Santoprene / ZN	3A611.x	80

BATTLE-TESTED

STAR-PAN™

Selection Guide
Hubs, cables, adapters, and accessories



STAR-PAN POWER CABLES AND BATTERY ADAPTERS

Part No.	NATO Stock No. NSN	Description	Electrical Function	Weight	Standard Length	Cable / Device Finish	ECCN / EAR	Page No.
808-242		BB2590 Battery Adapter w/ Charging / SMBus	Power	286g	N/A	Black, Green, Tan	99	82
TS2-026 (-1, -2, -3)		BB2590 Adapters (Standard, EMI box, and 5V Out options)	Power	(consult factory)	N/A	Black Zinc-Nickel	99	83
TS1-027		Battery Connector for Bren-Tronics BTA-70838-8	Power	(consult factory)	21"	Black Zinc-Nickel	99	84
TS1-033		Battery Connector for Bren-Tronics BTA-70909-8	Power	(consult factory)	24"	Black Zinc-Nickel	99	84
808-066	5935-01-683-1932	Radio Battery Adapter for Harris and BT70716XX Handheld Radios	Power	70g	N/A	Black Zinc-Nickel	3A611.x	85
TS3-022		Universal Radio Power Booster (RPB)	Power	(consult factory)	N/A	Black Anodized	3A611.x	86
808-175		PRC-152A, -152, -148 Universal Battery Adapter / Charger	Power	(consult factory)	N/A	Santoprene / Zinc-Nickel, Black	3A611.x	87
TS8-459		AN/PRC Radio Battery Adapter	Power	(consult factory)	N/A	Santoprene / Black Anodized	3A611.x	88
TS8-473		AN/PRC-163 Dual Power Cable Battery Eliminator	Power	(consult factory)	N/A	Santoprene / Zinc-Nickel, Black	3A611.x	89
808-063		PRC-152A, -152, -148 Radio Power Booster	Power	172g	N/A	Santoprene / Zinc-Nickel, Black	3A611.x	90
TS1-067		Cable for use with Radio Battery Adapter	Power	(consult factory)	N/A	Santoprene / Zinc-Nickel, Black	3A611.x	91
TS1-030		Cable for use with Radio Battery Adapter	Power	(consult factory)	3.75"	Santoprene / Zinc-Nickel, Black	99	92
TS1-073		Cable for use with Radio Battery Adapter	Power	(consult factory)	4"	Santoprene / Black Conductive	99	93
TS1-045		AN/PRC-163 Dual Charge/Battery Eliminator Cable	Power	(consult factory)	N/A	Santoprene / Black Conductive	99	94
TS2-003		Power Scavenger	Power	(consult factory)	N/A	Black Conductive	3A611.x	95
TS2-009		Power Conditioner	Power	(consult factory)	N/A	Matte Tan	3A611.x	96
TS2-093		STAR-PAN X Adapter Cable for TS2-009 Power Conditioner	Power	(consult factory)	10"	Santoprene, Black	99	97
TS1-053		Automotive Aux Power / Cigarette Lighter Adapter Cable	Power	(consult factory)	120"	Black Overmolded	99	98
TS1-054		Mighty Mouse to Battery Clamp Adapter Cable	Power	(consult factory)	240"	Black Overmolded	99	99
TS1-055		Mighty Mouse to NATO Plug Adapter Cable	Power	(consult factory)	120"	Black Overmolded	99	100
808-059	6150-01-674-0055	Cigarette Lighter Power Adapter Cable	Power	84g	72"	Santoprene, Black	3A611.x	101
808-064 808-064-EU	5995-01-668-8659 5995-01-682-9273	AC/DC Power Adapter Cable AC/DC Power Adapter Cable, European	Power	590g	110"	Santoprene, Black	3A611.x	102
TS3-060		USB-C Power Delivery Downstream Charging Cable	Power	(consult factory)	18"	Santoprene, Black	3A611.x	103



AN/PRC-152/ 152A Sync Serial Adapter



BB2590 Parallel Charging Battery Adapter with SMBus



Universal Battery Adapter / Charger For Harris PRC-152A, PRC-152, and PRC-148 Radios

BATTLE-TESTED

STAR-PAN™

Selection Guide

Hubs, cables, adapters, and accessories



STAR-PAN TARGETING CABLES AND ADAPTERS

Part No.	NATO Stock No. NSN	Description	Electrical Function	Weight	Standard Cable Length	Cable Finish	ECCN / EAR	Page No.
808-041	5995-01-668-8804	Vector 21 / 23B Cable	Data	205g	54"	Santoprene, Black	3A611.x	105
TS8-494		Vektor 21 / Moskito / Multi-Use RS232 Cable	Data	205g	54"	Santoprene, Black	3A611.x	106
808-049	5995-01-693-5683	PLRF 15C / 25C Cable	Data	76g	45"	Santoprene, Black	3A611.x	107
808-212		STERNA True North Finder (TNF) cable	Data + Power	110g	24"	Santoprene, Black	3A611.x	108
808-246	5995-01-684-4726	JIM-LR Cable	Data + Power	235g	24"	Santoprene, Black	3A611.x	109
808-219		JIM Compact Cable	Data + Power	115g	40"	Santoprene, Black	3A611.x	110
TS8-488		JIM Compact P2 Cable, 90° Overmold w/Switch	Data + Power	(consult factory)	60"	Santoprene, Black	3A611.x	111
808-218		Moskito TI Cable	Data + Power	150g	24"	Santoprene, Black	3A611.x	112
808-251	6150-01-693-7011	Moskito TI RS-232 to USB Converter Cable	Data + Power	59g	24"	Santoprene, Black	3A611.x	113
TS8-427		Moskito TI-SI1 with STERNA Cable	Data + Power	(consult factory)	N/A	Santoprene, Black	3A611.x	114

VIDEO / GPS POWER AND DATA CABLES

Part No.	NATO Stock No. NSN	Description	Electrical Function	Weight	Standard Cable Length	Cable Finish	ECCN / EAR	Page No.
808-040	5995-01-668-8854	DAGR GPS Cable	Data + Power	104g	32"	O.D. Nomex / Blk. Santoprene	3A611.x	116
808-045		TacROVER-P SIR 2.0 Cable	Data + Power	104g	32"	O.D. Nomex / Blk. Santoprene	3A611.x	117
808-068		TacROVER-P SIR 2.5 Cable	Data	(consult factory)	6"	O.D. Nomex	3A611.x	118
808-043	5995-01-693-7025	TacROVER-P SIR 2.5 Video Cable	Data	70g	24"	O.D. Nomex	3A611.x	119
808-082	5995-01-693-6951	TacROVER-E SIR 2.5 Cable	Data + Power	(consult factory)	33"	O.D. Nomex / Blk. Santoprene	3A611.x	120
808-067	5995-01-693-7053	TacROVER-P SIR 2.5 Cable	Data + Power	106g	33"	O.D. Nomex / Blk. Santoprene	3A611.x	121
TS8-463U		TacROVER-E SIR 2.5 Cable with "U" Bend	Data + Power	(consult factory)	20"	Santoprene, Black	3A611.x	122
808-152		TacROVER-P SIR 2.5 with TAC-EYE Cable	Data + Power	108g	24"	O.D. Nomex / Blk. Santoprene	3A611.x	123
808-151		Tactical Net Rover Cable	Data + Power	112g	24"	O.D. Nomex / Blk. Santoprene	3A611.x	124
TS8-404		Tactical Net Rover Cable with TAC-EYE Adapter	Data + Power	(consult factory)	24"	Santoprene, Black	3A611.x	125
808-171		Tactical Net Rover Cable with Thru Power	Data + Power	112g	24"	O.D. Nomex / Blk. Santoprene	3A611.x	126
TS1-037		Cable for 808-151 and TS8-404 TNR Cables	Data	(consult factory)	5.50"	Santoprene, Black	3A611.x	127
808-224	5995-01-683-6023	StrikeHawk Digital Cable	Data	100g	24"	Nomex, O.D.	3A611.x	128
TS8-424		Remote Secure Receiver-to-PAN Port Cable	Data	(consult factory)	30"	Santoprene, Black	3A611.x	129
TS8-467		Teledyne FLIR BH3 Hangar Cable, Power / Data	Data + Power	(consult factory)	34"	Santoprene, Black	3A611.x	130
TS3-072		MOHOC IP Camera Cable	Data + Power	(consult factory)	34"	Santoprene, Black	3A611.x	131



DAGR GPS Navigation Cable



StrikeHawk Digital Adapter Cable



BATTLE-TESTED

STAR-PAN™

Selection Guide

Hubs, cables, adapters, and accessories



STAR-PAN-TO-HOST/EUD CABLES, ADAPTERS, AND ACCESSORIES

Part No.	NATO Stock No. NSN	Description	Electrical Function	Weight	Standard Length	Cable / Device Finish	ECCN / EAR	Page No.
808-101	5995-01-683-8691	Panasonic® Toughpad® FZ-M1/FZ-B2 Adapter	Data + Power	62g	N/A	Black Zinc-Nickel	3A611.x	133
808-103	5935-01-683-8596	Toughpad® FZ-M1/FZ-B2 Adapter with Cable	Data + Power	92g	12"	Santoprene / Zinc-Nickel, Black	3A611.x	134
TS3-003		TS3-003 Panasonic® FZ-M1 Voltage-Regulated Adapter Cable	Data + Power	(consult factory)	24"	Santoprene / Zinc-Nickel, Black	3A611.x	135
808-281	5995-01-683-1103	Juggernaut QD USB-C Host Cable with Power Delivery	Data + Power	72g	24"	Santoprene, Black	3A611.x	136
TS1-020		Juggernaut USB-C to Mighty Mouse Plug cable	Data	(consult factory)	19"	Santoprene / Zinc-Nickel, Black	99	137
TS3-052		Juggernaut USB-C Charging Cable with Power Delivery	Data + Power	(consult factory)	24"	Santoprene, Black	3A611.x	138
TS1-095		6P7 Receptacle-to-Receptacle Cable	Data + Power	(consult factory)	24"	Santoprene / Zinc-Nickel, Black	99	139
TS1-096		6P7 Plug-to-Plug Cable	Data + Power	(consult factory)	24"	Santoprene / Zinc-Nickel, Black	99	140
TS1-081		Juggernaut S21 IMPCT USB-C to Mighty Mouse Plug cable	Data + Power	(consult factory)	19"	Santoprene / Zinc-Nickel, Black	99	141
808-135	5995-01-668-8832	USB-C Cable	Data	76g	21"	Santoprene, Black	3A611.x	142
808-232	5995-01-688-2121	USB-C Host Cable with Power Delivery	Data + Power	68g	24"	Santoprene, Black	99	143
808-102		USB On-The-Go Cable	Data	62g	6"	Santoprene, Black	3A611.x	144
808-096, -160, -271		Host Mode OTG Adapters	Data + Power	8g	N/A	Black Zinc-Nickel	3A611.x	145
8071-3628	5935-01-682-9578	Host Mode OTG Adapter, USB Detect, Grounded ID Pin	Data + Power	8g	N/A	Black Zinc-Nickel	3A611.x	146
TS1-034		USB-C Host Mode Adapter	Data + Power	8g	N/A	Black Zinc-Nickel	3A611.x	147
TS1-009		USB-C Charge Adapter	Data + Power	8g	N/A	Black Zinc-Nickel	99	148
808-259		Gender Changer Adapter (plug connectors)	Data + Power	11g	N/A	Black Zinc-Nickel	99	149
808-260		Gender Changer Adapter (receptacle connectors)	Data + Power	(consult factory)	N/A	Black Zinc-Nickel	99	150
808-080		STAR-PAN IV Radio Adapter	Data + Power	(consult factory)	8"	Polyurethane, Black	3A611.x	151
808-274		6-6 Plug-to-Plug cable	Data + Power	(consult factory)	8"	Polyurethane, Black	3A611.x	152
TS1-106		USB-C to Mighty Mouse-Interfaced Device Cable		(consult factory)	8"	TPE, Black	99	153



Panasonic ToughPad® Adapter



Host Mode Adapters and Gender-Changers



USB-C EUD Charging Cable

BATTLE-TESTED

STAR-PAN™

Selection Guide

Hubs, cables, adapters, and accessories



COMMERCIAL PROTOCOL CABLES, ADAPTERS, AND ACCESSORIES

Part No.	NATO Stock No. NSN	Description	Electrical Function	Weight	Standard Cable Length	Cable Finish	ECCN / EAR	Page No.
808-079	5995-01-682-9409	USB Type A Cable	Data	26g	18"	Santoprene, Black	3A611.x	157
808-145	5995-01-679-0913	USB Type A EUD Cable	Data + 5V Power	26g	18"	Santoprene, Black	3A611.x	158
808-053	5995-01-674-0054	PAN Port to USB-A Cable	Data + 5V Power	18g	5"	Santoprene, Black	3A611.x	159
808-111		On-The-Go USB Adapter Cable	Data + Power	(consult factory)	5"	Santoprene, Black	3A611.x	160
TS3-033		DB-9 RS-232 Cable	Data + Power	88g	24"	Polyurethane, Black	3A611.x	161
808-078	5995-01-682-9477	RJ45 Plug Cable	Data	80g	24"	Santoprene, Black	3A611.x	162
808-084	5995-01-693-7143	RJ45 Receptacle Cable	Data	94g	30"	Nomex, O.D.	3A611.x	163

SOFT GOODS: MISSION KIT BAG AND POUCHES

Part No.	Description	Weight	Length	Material/Color	ECCN / EAR	Page No.
TS4-011	Mission Kit Bag with Pouches - Complete Kit	2.08 lbs.	L = 20" W = 14" D = 2.5" (outer Kit Bag)	Cordura/Black	99	163
TS4-001	Mission Kit Bag	.9 lbs	L = 20" W = 14" D = 2.5"	Cordura/Black	99	163
TS4-002	Large Pouch	.18 lbs.	W = 18" H = 4"	Cordura/Black	99	164
TS4-003	Square Pouch	.9 lbs.	W = 10" H = 10"	Cordura/Black	99	164
TS4-004	Medium Pouch	.1 lbs.	W = 9.5" H = 5"	Cordura/Black	99	164
TS4-017	STAR-PAN II MOLLE Pouch	1.1 oz.	L = 3.5" W = 2.5" H = 1"	Cordura/Desert Tan or Camouflage	99	165
TS4-018	STAR-PAN IV MOLLE Pouch	(consult factory)	(consult factory)	Cordura/Desert Tan or Camouflage	99	165
TS4-009	STAR-PAN VI MOLLE Pouch	4 oz.	L = 5" W = 7" H = 1.5"	Cordura/Desert Tan or Camouflage	99	165
TS4-028	MISSION MANAGER MOLLE Pouch	(consult factory)	L = 4" W = 2"	Cordura/Desert Tan or Camouflage	99	165
TS4-022	Connector dust caps	(consult factory)	various	Tan or Black	99	166
TS4-024	Dust Caps for in-line cable receptacles	(consult factory)	various	Tan or Black	99	167
TS4-025	Dust Caps for in-line cable plugs	(consult factory)	various	Tan or Black	99	167



Mission Kit Bag
(**TS4-011** complete kit shown)



Pouches



STAR-PAN VI MOLLE Pouch



STAR-PAN™ Power Distribution and Management Architecture

Symbiotic radio / battery power utilization and management for Special Operations Forces and other battery-power-intensive mission profiles



Smart Power = Longer Missions and Lighter Loads

Board-level, embedded system power monitoring, conditioning and charging makes STAR-PAN the most powerful tool for extended mission life and operational effectiveness. *Smart power equals longer missions and lighter loads* by significantly reducing the number of batteries that must be carried by C4ISR-equipped soldiers. Available interconnect cabling and power adapter accessories facilitate accelerated charging of the EUD, radio and peripherals as well as power scavenging from conditioned DC power sources such as vehicles.

STAR-PAN EMBEDDED SYSTEM POWER MANAGEMENT

- API interface for user-controlled power management
- Port priority, charge state, system battery state, and temperature protection
- Charge-circuitry for a wide range of smart batteries

UNIVERSAL POWER AND DATA CONNECTOR INTERFACE



The STAR-PAN system uses Glenair Mighty Mouse 807 connectors which are fully-compliant to US and NATO standards for EUDs, radios, batteries, and C4ISR peripherals. Many soldier batteries can be directly connected to the STAR-PAN system without adapters using the general-purpose Mighty-Mouse equipped C1 cable.



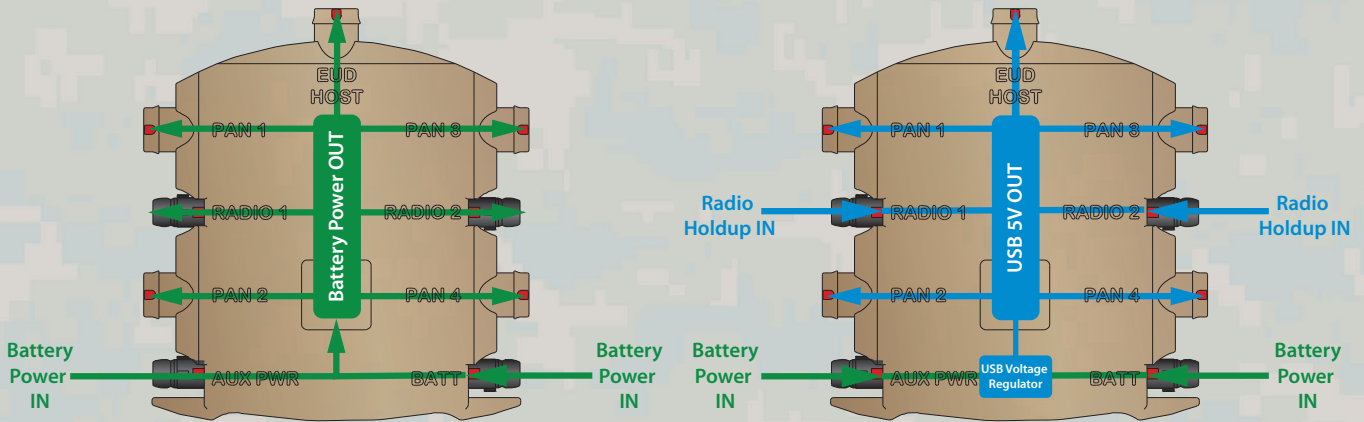
BATTLE-TESTED

STAR-PAN™

Power distribution and management architecture

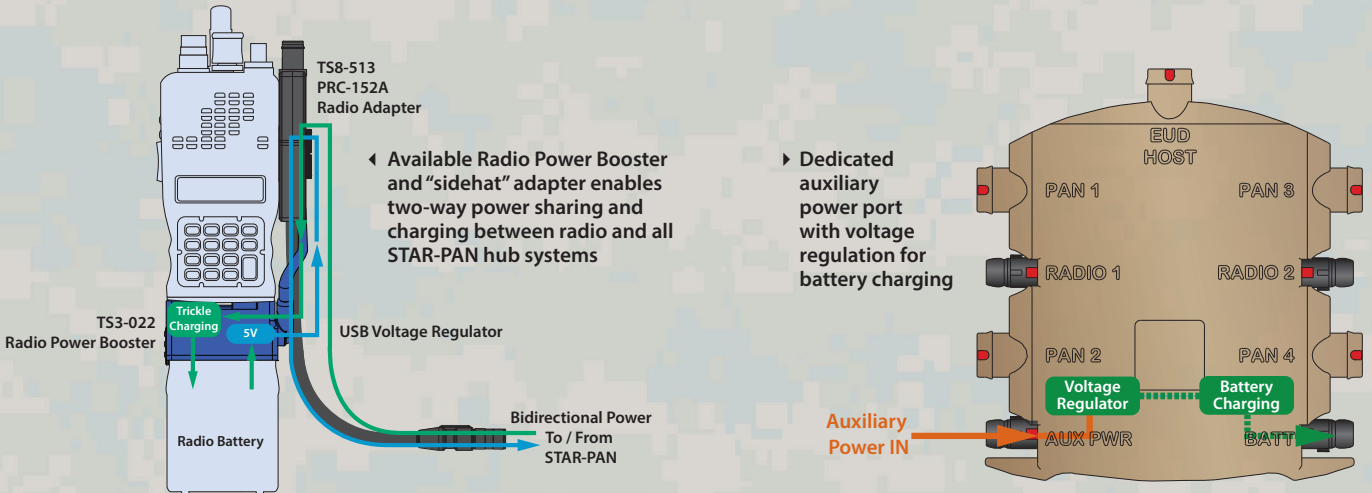


STAR-PAN POWER DISTRIBUTION / CHARGING ARCHITECTURE (STAR-PAN VI SYSTEM SHOWN)



▲ Primary power distribution supports dual hot-swappable battery inputs routed to PAN, EUD, and Radio ports

▲ USB power layer supports regulation of input battery power for distribution to USB 2.0 devices and radio “holdup power IN” functionality

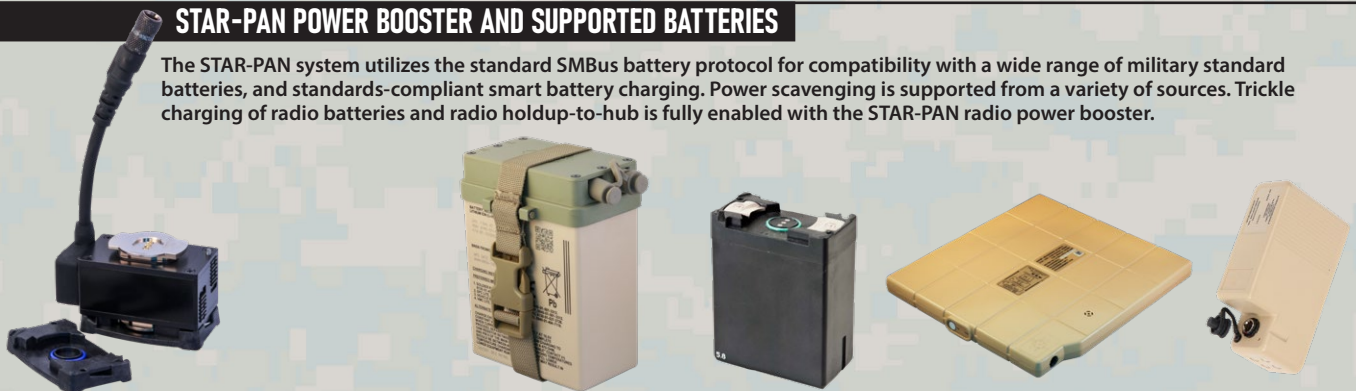


▲ Available Radio Power Booster and “sidehat” adapter enables two-way power sharing and charging between radio and all STAR-PAN hub systems

▶ Dedicated auxiliary power port with voltage regulation for battery charging

STAR-PAN POWER BOOSTER AND SUPPORTED BATTERIES

The STAR-PAN system utilizes the standard SMBus battery protocol for compatibility with a wide range of military standard batteries, and standards-compliant smart battery charging. Power scavenging is supported from a variety of sources. Trickle charging of radio batteries and radio holdup-to-hub is fully enabled with the STAR-PAN radio power booster.



808-175 Radio Power Booster for two-way power sharing

BB-2590 batteries

Handheld radio batteries

Conformal wearable batteries

Soldier smart batteries



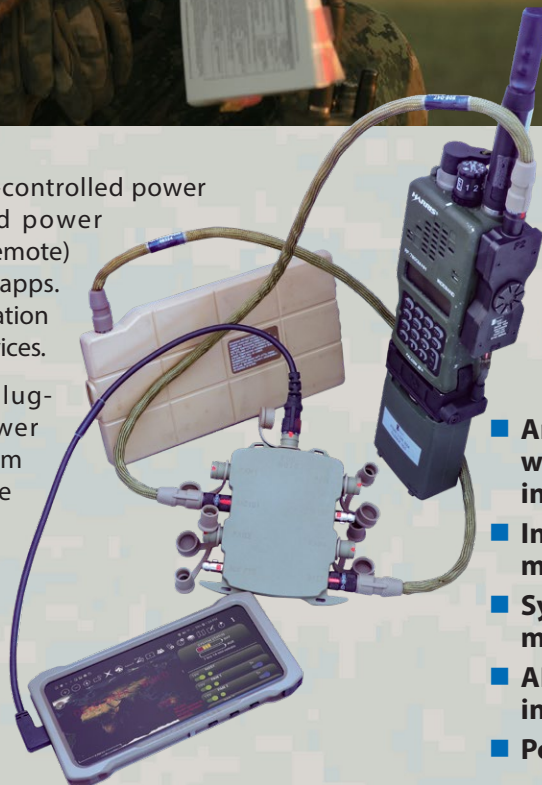
STAR-PAN™ Android / Windows Apps and ATAK Plug-In

User-controlled charging and battery power management touch-screen applications



STAR-PAN system software offers firmware-controlled power management as well as EUD-controlled power management via SPAR (STAR-PAN Android Remote) and WASP (Windows Application STAR-PAN) apps. These two applications deliver seamless integration with Android- and Windows-based End User Devices.

An additional STAR-PAN app, the ATAK plug-in, integrates STAR-PAN battery and power management directly into ATAK (Android Team Awareness Kit), the leading DACAS software application used by JTAC and other Special Operations Forces. Familiar touch-screen controls and easy-to-read graphical user interface allows soldiers in the field to quickly and easily view and manage port priority, charge state, and system battery state for the STAR-PAN system and all interconnected peripherals.



- Android / Windows apps with seamless ATAK integration
- Independent port power management
- System battery state management
- API interface for software integration
- Power protection

BATTLE-TESTED

STAR-PAN™

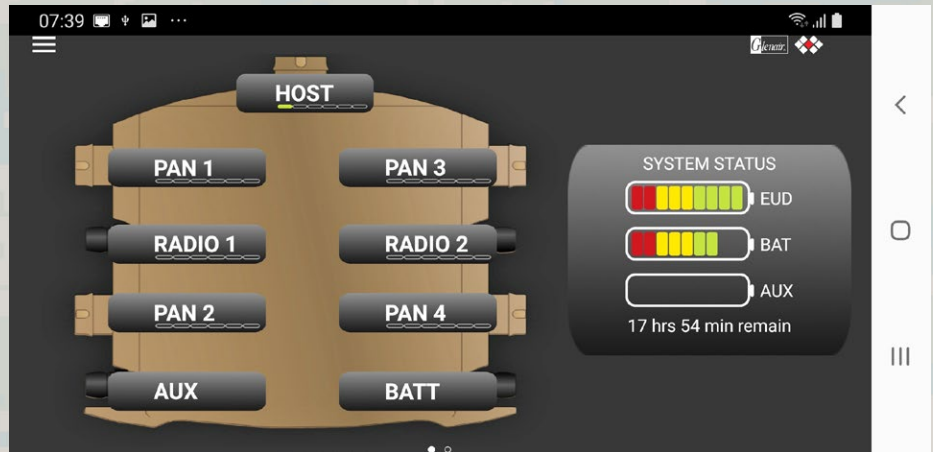
Android and Windows Power Management Apps and ATAK plug-in



STAR-PAN ANDROID REMOTE (SPAR) POWER MANAGEMENT APP

STAR-PAN power and data hubs may be supported with an Android-based power management app displaying system battery status and power usage by port/device. Touch-screen functionality allows user to easily turn power on and off to individual ports. Requires Android 4.4.4.

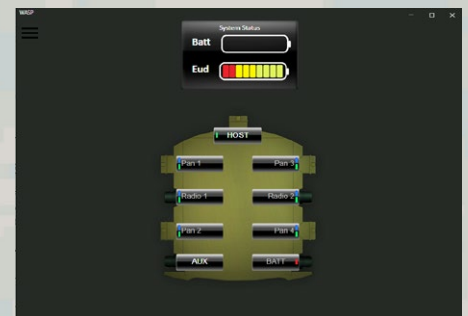
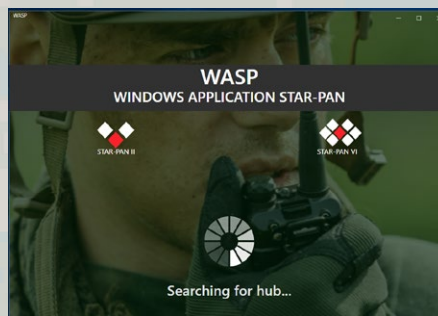
- Root access not required
- Supports multiple connections via Android API
- Power logging feature
- Available with all hubs



WINDOWS APPLICATION for STAR-PAN (WASP) POWER MANAGEMENT APP

For Windows-based End User Devices, the WASP power management app displays system battery status and power usage by port/device. Touch-screen functionality allows user to easily turn power on and off to individual ports.

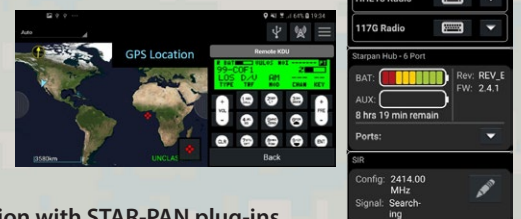
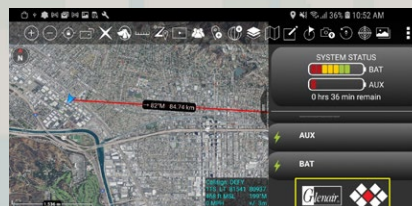
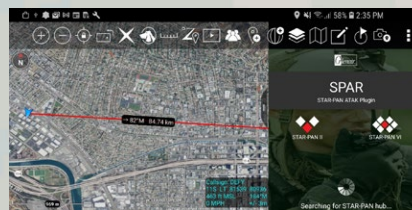
- Touchscreen and mouse compatible
- Enables power management from Windows devices



STAR-PAN BMS PLUG-INS

STAR-PAN power management system status plug-ins are also available for Android Team Awareness Kit (ATAK) and Android Precision Assault Strike Suite (APASS) software. These plug-ins enable users to quickly monitor hub and battery status without leaving the main applications.

- Operate simultaneously with SPAR
- Allows for quick power management without switching applications



ATAK (left) and APASS (right) in action with STAR-PAN plug-ins



STAR-PAN™ Light

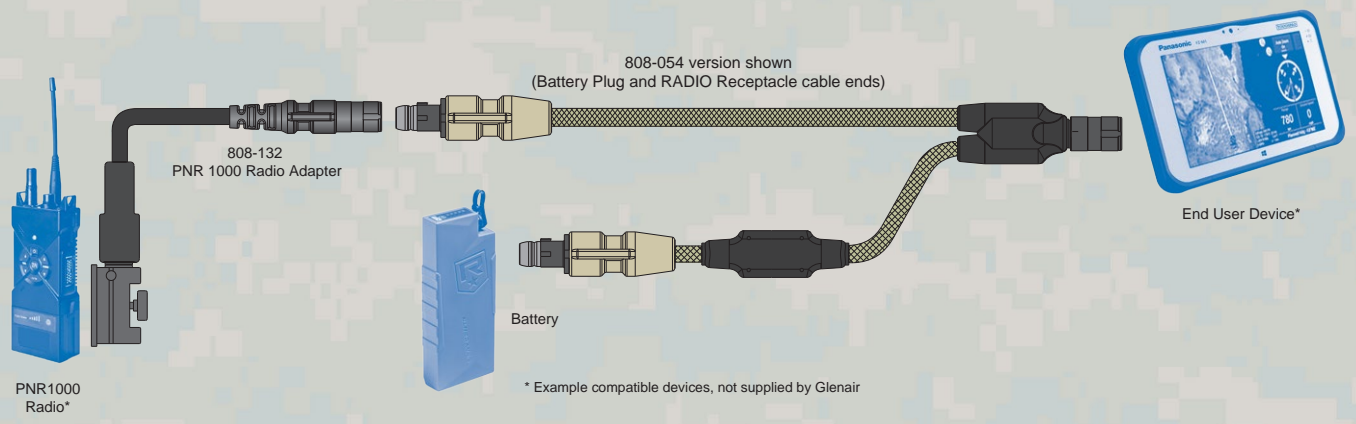
Enabling situational awareness, comms, and improved battery power autonomy for light dismounted infantry

FEATURES

- Supports power and data connectivity between soldier's EUD, pDDL (or radio), plus battery
- 5V regulator bifurcated cable optimized for plug-and-play connectivity to US- and NATO-standard devices
- Interconnect interface is Glenair Series Mighty Mouse (NATO STANAG 4695) quick-disconnect connectors
- Radio connectivity requires additional adapter cable

STAR-PAN LIGHT CAPABILITY DIAGRAM

- 1 designated host / EUD port
- 1 battery cable / port
- 1 designated peripheral cable / port (expandable for radio use with adapter cable)



BATTLE-TESTED

STAR-PAN™ Light

808-054 / 808-058

Bifurcated power and data cable with 5V regulator



STAR-PAN™ HUBS + ACCESSORIES

OVERVIEW

The Glenair STAR-PAN™ Light is a lightweight bifurcated data and power cable, ruggedized for harsh environment dismounted soldier applications. The cable is compatible with USB1.1, USB2.0 (full and high-speed), and SMBus protocols and contains a single power port, EUD port, and single C4ISR peripheral port. For the standard dismounted soldier, STAR-PAN Light enhances soldier situational awareness and tempo on the battlefield while maintaining flexibility, scalability, interoperability and increased autonomy. All connector interfaces are compliant to the NATO STANAG 4695 standard for Soldier Power Connectors

PAN APPLICATIONS

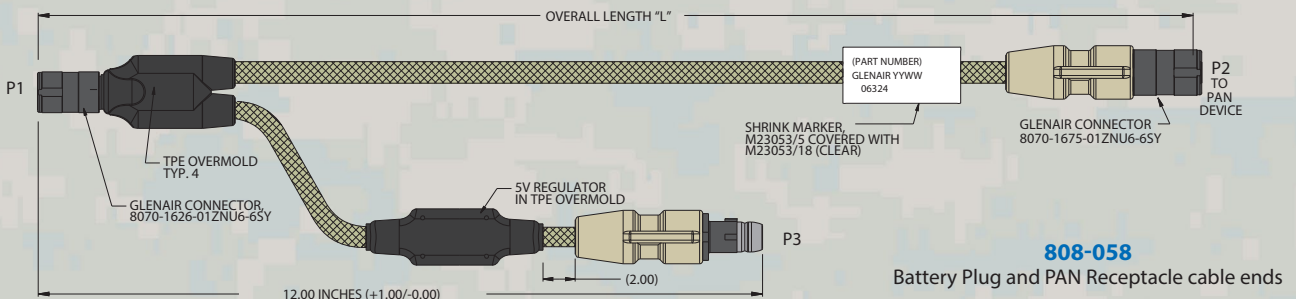
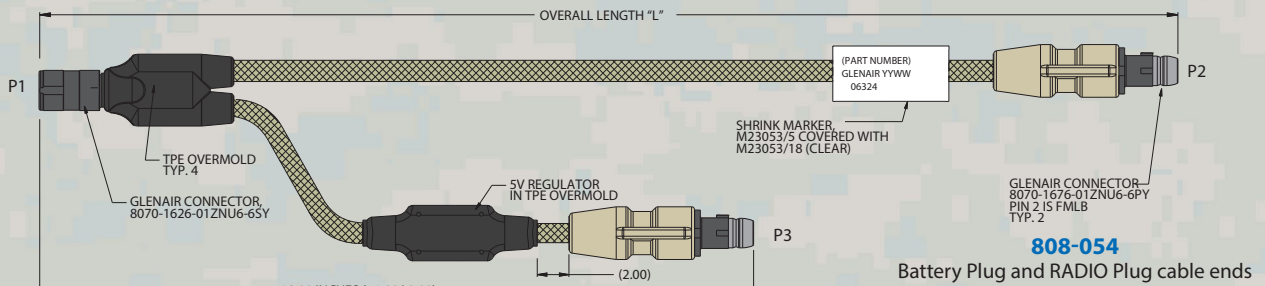
- Dismounted infantry soldier situational awareness and battery management
- Fast-moving special operations forces communications and situational awareness

HOW TO ORDER

Sample Part Number:	808	-054	-36
STAR-PAN Series	STAR-PAN Light bifurcated cable 808-054 = battery plug and RADIO plug ends 808-058 = battery plug and PAN receptacle ends [NATO NSN 5995-01-688-2439]		
Length Designator	In inches Omit for default length of 24.00"		

PERFORMANCE SPECIFICATIONS

Operating Conditions	
Storage Temperature	-40°C to +80°C
Operating Temperature	-40°C to +55°C
Operation Altitude	9754m
Storage Altitude	15240m
Water Immersion, Mated	MIL-STD-810, Method 512, 1m for 1 hr.; IP67 rated dust / water resistant
Host & Pan	
Battery Voltage	10.0V to 20.0V, 14.8V typical
Battery Supply Current	3.5A Maximum per individual port
Battery Supply Total Current	5A total system
5VUSB Supply Voltage	4.75V to 5.1 V, 4.90V typical
5VUSB Supply Current	3A Maximum per individual port
Radio Port	
Battery Voltage	10.0V to 20.0V, 14.8V typical.
Battery Supply Current	5A maximum
+5V Back Up Supply Current	1.2A typical, based on radio supply, radio 1 primary
+5V Back Up Supply Current	.5A per port
USB +/USB -	-0.5V to +3.5V
Battery Port	
Battery Input Voltage	10V to 20V
Battery Supply Current	5A maximum system supply current





STAR-PAN™ II

Integrated USB data/power distribution hub for fast-moving special operation forces and small-squad team leaders

Mission flexibility is key in meeting the warfighter's ever-evolving duties in the field. The STAR-PAN™ II USB data/power hub is designed for just the most core C4ISR capabilities including End User Device (EUD) integration, radio comm support, video downlink (Rover) as well as robust management of battery and auxiliary power sources. Two versions are available: a pre-cabled hub assembly with integrated EUD and power cables equipped with NATO STANAG 4695 standard connectors; and a connectorized hub, ready for configuration with customer-specified cables and adapters.

KEY FEATURES/BENEFITS

- Provides battery power and +5VBus power via 2 cabled power input ports for extended missions or battery hot swap
- Supports soldier EUD/Host, Radio, and up to 2 USB peripheral devices (with bifurcated 808-081 cable for 2nd device)
- SMBus, USB2.0 (full and high-speed), USB1.1 compatible interface
- Power monitoring and management for each voltage rail and port
- Compatible Personal Area Network (PAN) pin configuration and Smart Battery interface
- Built-in SMBus to USB converter to USB host devices

FEATURES

- STAR-PAN II 808-057-1 with integrated cables, or 808-194-1 standard hub
- Designated host/EUD port, designated radio/peripheral port, and Universal PAN compliant port (expandable for up to two devices)
- Supports hot-swappable power sources and radio-supplied backup power
- Heat-efficient electronics packaging to optimize efficiency and extend battery life

PAN APPLICATIONS

- Dismounted infantry soldier situational awareness and battery management
- Fast-moving special operations forces communications and situational awareness
- Fire rescue field communications and logistics
- Underground, highwall, and surface mining wireless communications

Export of STAR-PAN™ USB Hub/Power Distribution systems is restricted and/or controlled by U.S. Department of Commerce Export Administration Regulations

BATTLE-TESTED

STAR-PAN™ II

808-194-1 / 808-057 -1

2 port (expandable) power and data hub / cabled hub assembly



OVERVIEW

The Glenair STAR-PAN™ II Hub is a lightweight, durable, compact data and power distribution hub, ruggedized for harsh environment dismounted soldier applications. STAR-PAN II provides a data backbone for up to 3 USB devices with power monitoring and management for connected external peripherals, radio, and the soldier's EUD/Host. STAR-PAN II is compatible with USB1.1, USB2.0 (full and high-speed), and SMBus protocols, and incorporates dual power input ports for extended missions or battery substitution, minimizing down time. All connector interfaces are compliant to the NATO STANAG 4695 standard for Soldier Power Connectors. Recommended: general-purpose C1 cable for EUD, battery, and peripheral connectivity.

PERFORMANCE SPECIFICATIONS

Operating Conditions	
Operating Temperature	-40°C to +55°C
Storage Temperature	-40°C to +80°C
Operation Altitude	9754m
Storage Altitude	15240m
Water Immersion, Mated	MIL-STD-810, Method 512, 1m for 1 hr.; IP67 rated dust / water resistant
Host & Pan	
Battery Voltage	10.0V to 20.0V, 14.8V typical
Battery Supply Current	3.5A Maximum per individual port
Battery Supply Total Current	5A total system
5VUSB Supply Voltage	4.75V to 5.1 V, 4.90V typical
5VUSB Supply Current	3A Maximum per individual port
Radio Port	
Battery Voltage	10.0V to 20.0V, 14.8V typical. Highest priority for power management
Battery Supply Current	5A maximum per individual port
+5V Back Up Supply Current	1.2A typical, 3A max, based on radio supply, radio 1 primary
+5V Back Up Supply Current	.5A per port
Battery Port	
Battery Input Voltage	10V to 20V
Battery Supply Current	5A maximum system supply current
SMBus Data	-0.5V to +3.5V, 808-194-1 P5 only

STAR-PAN™ HUBS + ACCESSORIES

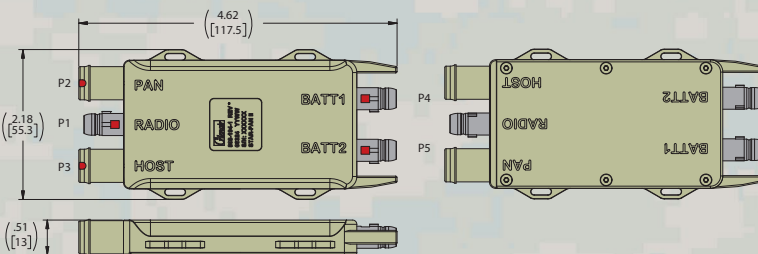
HOW TO ORDER

Sample Part Number:	808-194-1
STAR-PAN Hub	STAR-PAN II 2 port power/data hub [NATO NSN 5935-01-691-2366]
Hub with MOLLE clip	808-194-1-MC 2-port Power/data hub with MOLLE clip

STAR-PAN II PORT CONFIGURATION

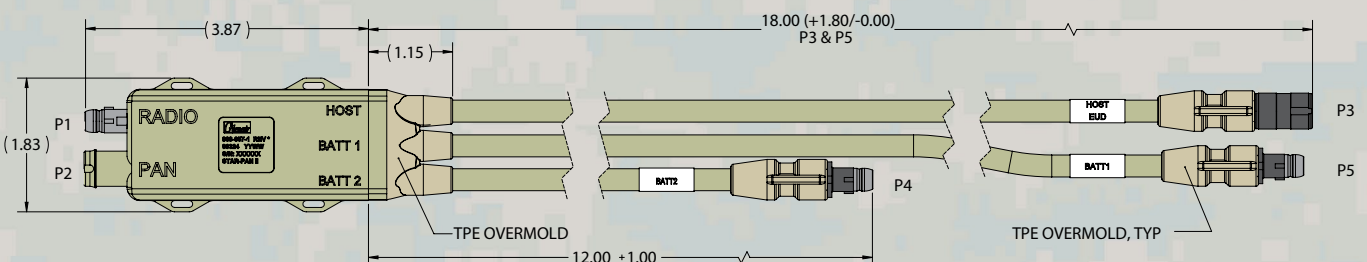
EUD	1
RADIO	1
PAN	1
POWER	2

Both versions of STAR-PAN II provide identical capabilities. Non-cabled version is designed more for users with unique EUD or battery-power configuration requirements. All cables supplied separately.



HOW TO ORDER: HUB / CABLE ASSEMBLY VERSION

Sample Part Number:	808-057-1
Hub with Integrated Cables	STAR-PAN II 2 port power/data hub with integrated cables [NATO NSN 6140-01-682-5677]
Hub with MOLLE clip	808-057-1-MC 2-port Power/data hub with MOLLE clip



BATTLE-TESTED

STAR-PAN™ II

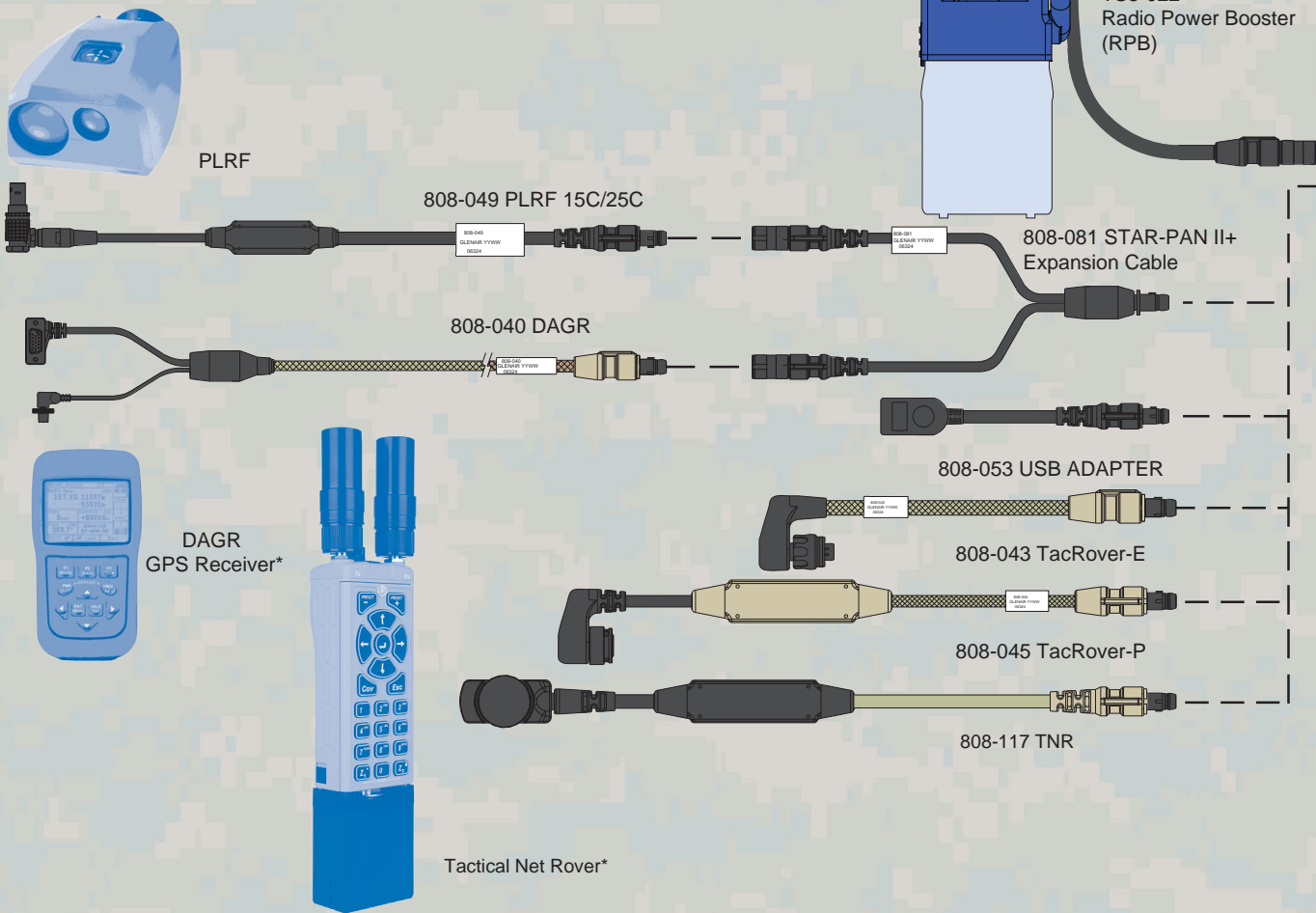
808-057-1 and 808-194-1 Configuration diagram 2 port (expandable) power and data system



STAR-PAN™ HUBS + ACCESSORIES

STAR-PAN II CAPABILITY DIAGRAM

- Universal PAN compliant ports (up to two devices)
- 1 designated host/EUD port
- 1 designated radio peripheral port
- 1 expandable PAN port for up to two USB peripherals
- Hot-swappable power sources
- Radio-supplied backup power
- Glenair power port management
- Across-the-board support for all soldier radio types:
 - L3HARRIS [AN/PRC-117G, AN/PRC-152A]
 - THALES [AN/PRC-154 Rifleman, AN/PRC-148 JEM]
 - Domo Tactical Communications (DTC) [SOL8SDR-H]
 - ELBIT [PNR-1000, MCTR-7200HH]
 - Silvus Technologies [SC4200, SC4400]
 - Bittium [Tough SDR Handheld™]



BATTLE-TESTED

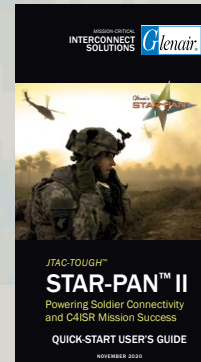
STAR-PAN™ II

808-057-1 and 808-194-1 Configuration diagram 2 port (expandable) power and data system



GLENAIR STAR-PAN TECHNOLOGY ILLUSTRATED IN THIS CAPABILITY DIAGRAM

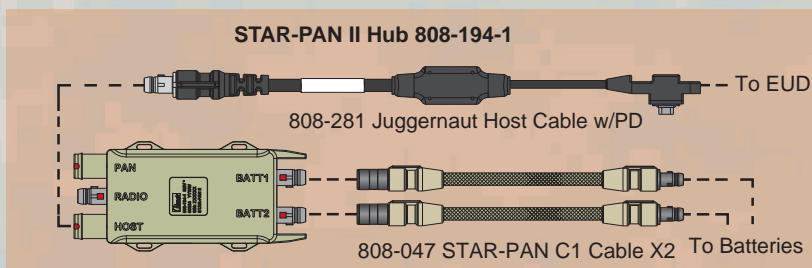
STAR-PAN Component Description	Part Number
STAR-PAN II Multiport USB and Power Distribution Hub	808-057-1
STAR-PAN Expansion Cable	808-081
PRC 152A Radio Data Adapter	TS8-513
Juggernaut Host Cable with Power Delivery	808-281
DAGR GPS/Navigation Cable	808-040
PLRF 15C/25C Laser Range Finder Cable	808-049
TacROVER-P SIR 2.0 ISR Receiver Cable	808-045
TacROVER-E ISR Receiver Cable	808-043
Tactical Net Rover ISR Receiver Cable	808-117
USB 2.0 Adapter Cable	808-053
BB2590 Battery Adapter	TS2-026
Radio Power Booster	TS3-022
STAR-PAN II Quick-Start User's Guide	990-TS002



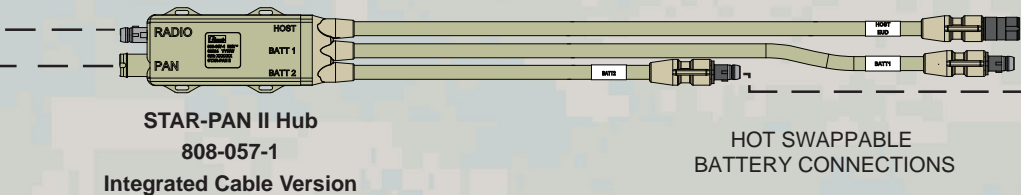
Pocket-Size
STAR-PAN II
Quick-Start
User's Guide

[www.glenair.com/
star-pan](http://www.glenair.com/star-pan)

STAR-PAN™ HUBS + ACCESSORIES

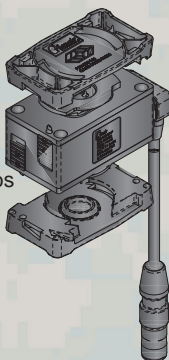


End
User
Device*

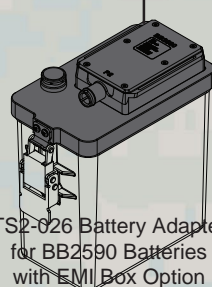


Conformal Wearable Battery*
(direct connection, no adapter required)

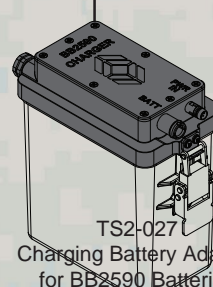
808-175
Battery Adapter
PRC-152A,
PRC-152,
and PRC-148 Radios



TS2-026 Battery Adapter
for BB2590 Batteries
with EMI Box Option



TS2-027
Charging Battery Adapter
for BB2590 Batteries



* Example compatible devices, not supplied by Glenair

* Example compatible devices, not supplied by Glenair

BATTLE-TESTED

STAR-PAN™ II

STAR-PAN II accessories

TS4-017 MOLLE pouch • TS3-001 USB Flash drive



STAR-PAN™ HUBS + ACCESSORIES



STAR-PAN II
MOLLE pouch

MOLLE POUCH SPECIFICATIONS

- Tan or Camouflage Cordura
- Single-button snap-lock for mounting on MOLLE loops
- Front loop Velcro securely retains STAR-PAN II hub

HOW TO ORDER

Sample Part Number:		TS4-017	-T
STAR-PAN MOLLE Pouch	STAR-PAN II MOLLE pouch		
Color Option	-T = Tan -C = Camo		



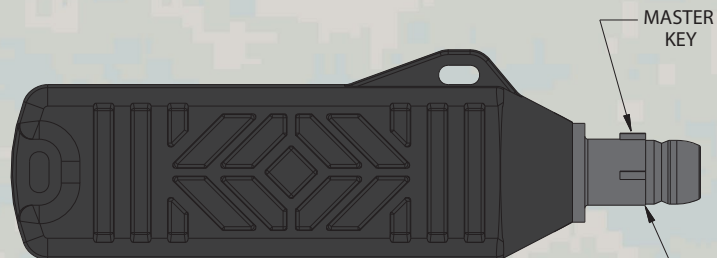
STAR-PAN
USB Flash drive

USB FLASH DRIVE SPECIFICATIONS

- Ergonomic black overmold
- 8, 16, 32, and 64 Gb capacities available
- Works with all STAR-PAN hubs

HOW TO ORDER

Sample Part Number:		TS3-001	
Accessory Series	STAR-PAN USB Flash drive		
Flash Drive Size	Omit for default 64 Gigabyte -08 = 8Gb -16 = 16Gb -32 = 32Gb		



CONNECTOR INTERFACE IAW
8070-1676-06ZNU6-6PY
CAVITY 2 - FMLB

BATTLE-TESTED

STAR-PAN™ II

808-047 General-Purpose STAR-PAN Cable

808-081 STAR-PAN II expansion cable



QUALIFIED FOR USE WITH ALL STAR-PAN POWER / DATA HUBS: LIGHT, II, IV, VI, AND BASE STATION X STANDARD CABLE FOR USE WITH ALL MIGHTY MOUSE 807-EQUIPPED ADAPTER CABLES, EUDs, BATTERIES, AND PERIPHERALS

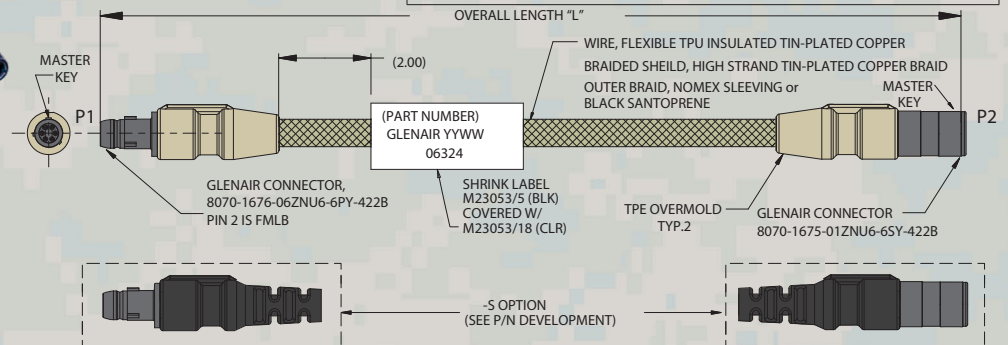


SPECIFICATIONS

- Olive drab Nomex® braided cable, or black Santoprene-jacketed cable
- Overmolded, ergonomic connector strain reliefs, desert tan or black
- Mighty Mouse 807 (NATO standard) connectors
- Weight, 24" cable: 50g
- Export classification: ECCN 3A611.x

HOW TO ORDER

Sample Part Number:	808-047	-36
Cable Series	General-Purpose STAR-PAN cable	
Cable Jacket Option	-S = Black Santoprene Jacket Omit for standard Olive Drab Nomex	
Length Designator	In inches. Omit for default length of 24.00" [NATO NSN 5995-01-668-8636]	



DESIGNED FOR STAR-PAN II. EXPANDS PAN PORT TO UTILIZE TWO USB PERIPHERAL DEVICES



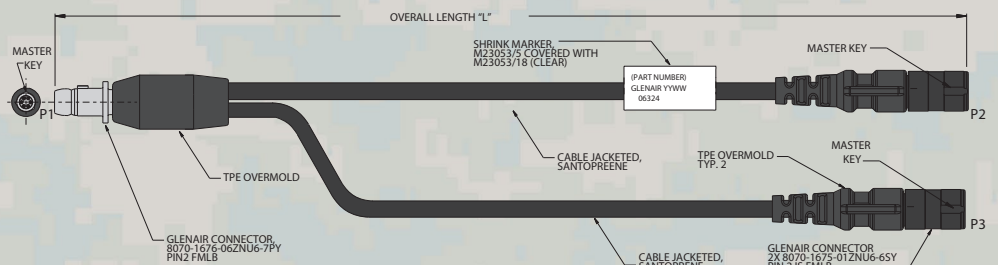
HUB PORT DESIGNATOR:
PAN

SPECIFICATIONS

- Santoprene-jacketed cable, black
- TPE overmolded, ergonomic connector strain reliefs
- Mighty Mouse 807 (NATO standard) connectors
- Weight, 8" cable: 56g
- Export classification: ECCN 3A611.x

HOW TO ORDER

Sample Part Number:	808-081	
Cable Series	STAR-PAN II Expansion Cable	
Length Designator	In inches (minimum 6.00") Omit for default length of 8.00"	



STAR-PAN™ HUBS + ACCESSORIES



STAR-PAN™ IV

Integrated USB data/power distribution hub for ground force commanders, UAS and UGV controllers, and other complex tactical mission specialists



FEATURES

- 1 designated host/EUD port
- 1 designated radio peripheral port
- 3 PAN receptacles for up to four peripherals
- Battery and auxiliary power source input
- Glenair power port management
- Radio-supplied backup power
- Smart battery charging from auxiliary power
- Up to 5A battery power per port, 5A system total
- Up to 3A 5 Volt VBUS power per port, 5A system total
- Precision-machined construction, integrated connectors
- Heat-efficient electronics packaging to optimize efficiency and extend battery life

KEY FEATURES/BENEFITS

- Battery Power and +5VBus power to up to 4 USB devices, 2 dedicated Radio ports
- Robust fault mode protection circuitry for surge, reverse voltage, and over current
- Embedded level 3 charge control circuitry for smart battery interface, within a wide charge voltage range
- Compatible with DC power sources
- APS port for system power and main system battery charging on extended missions
- Radio Port Vbus System Hold Up for extended mission time and weight reduction
- Compatible Personal Area Network (PAN) pin configuration and Smart battery interface
- Built-in SMBus to USB converter to USB host device

BATTLE-TESTED

STAR-PAN™ IV

808-273

4 port smart power and data hub system



OVERVIEW

The Glenair STAR-PAN™ IV Hub is a lightweight, durable, compact data and power distribution hub, ruggedized for harsh environment dismounted soldier applications. The connectorized hub provides a data backplane with power monitoring and management to connected external peripherals used in Digitally Aided Close Air Support (DACAS) and other mission applications. The hub is compatible with USB1.1, USB2.0 (full and high speed), and SMBus protocols. STAR-PAN™ IV contains two power inputs for extended missions. One radio port capable of powering up the USB Data backplane and host connection. A dedicated charge port for use with smart batteries and auxiliary power sources including multiple DC power sources such as vehicle power, solar panels, kinetic energy devices or fuel cells. All connector interfaces compliant to NATO STANAG 4695. Recommended: general-purpose C1 cable for EUD, battery, and peripheral connectivity.

PAN APPLICATIONS

- Ground force commander
- Special operations force team leader
- SUAS and UGV controller

HOW TO ORDER

Sample Part Number:	808-273
Connectorized Hub	STAR-PAN IV 4-port power/data hub
Hub with MOLLE clip	808-273-MC 4-port Power/data hub with MOLLE clip

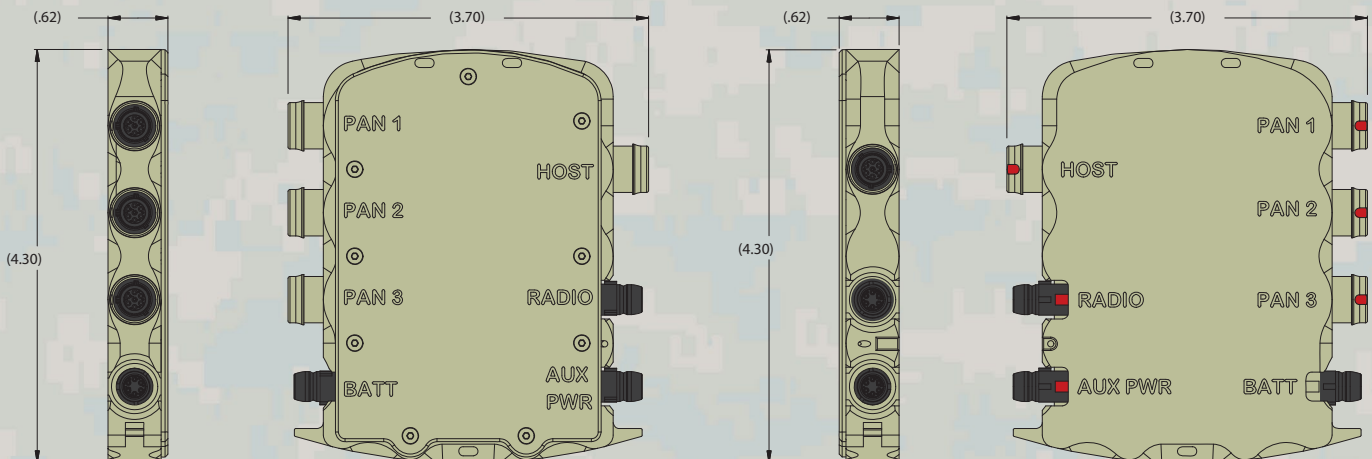
STAR-PAN IV PORT CONFIGURATION

EUD	1
RADIO	1
PAN	3
POWER	2

PERFORMANCE SPECIFICATIONS

Operating Conditions	
Operating Temperature	-40°C to +55°C
Storage Temperature	-40°C to +80°C
Operation Altitude	9754m
Storage Altitude	15240m
Water Immersion, Mated	MIL-STD-810, Method 512, 1m for 1 hr.; IP67 rated dust / water resistant
Host & Pan 1-3	
Battery Voltage	10.0V to 20.0V, 14.8V typical
Battery Supply Current	5A Maximum per individual port
+5V Backup Total Supply Current	5A based on radio supply, Radio 1 primary
Radio Port	
Battery Voltage	10.0V to 20.0V, 14.8V typical. Highest priority for power management
Battery Supply Current	5A maximum per individual port
+5V Back Up Supply Current	1.2A typical, 3A max, based on radio supply, radio 1 primary
+5V Back Up Supply Current	.5A per port
Auxiliary Power Supply Port	
Auxiliary Voltage Source	10V to 36V
Auxiliary Supply Current	5 A maximum system supply current
Battery Port	
Battery Input Voltage	10V to 20V
Battery Supply Current	5A maximum system supply current
Battery Charge Current	3A

STAR-PAN™ HUBS + ACCESSORIES



BATTLE-TESTED

STAR-PAN™ IV

808-273 4 port smart power / data hub system

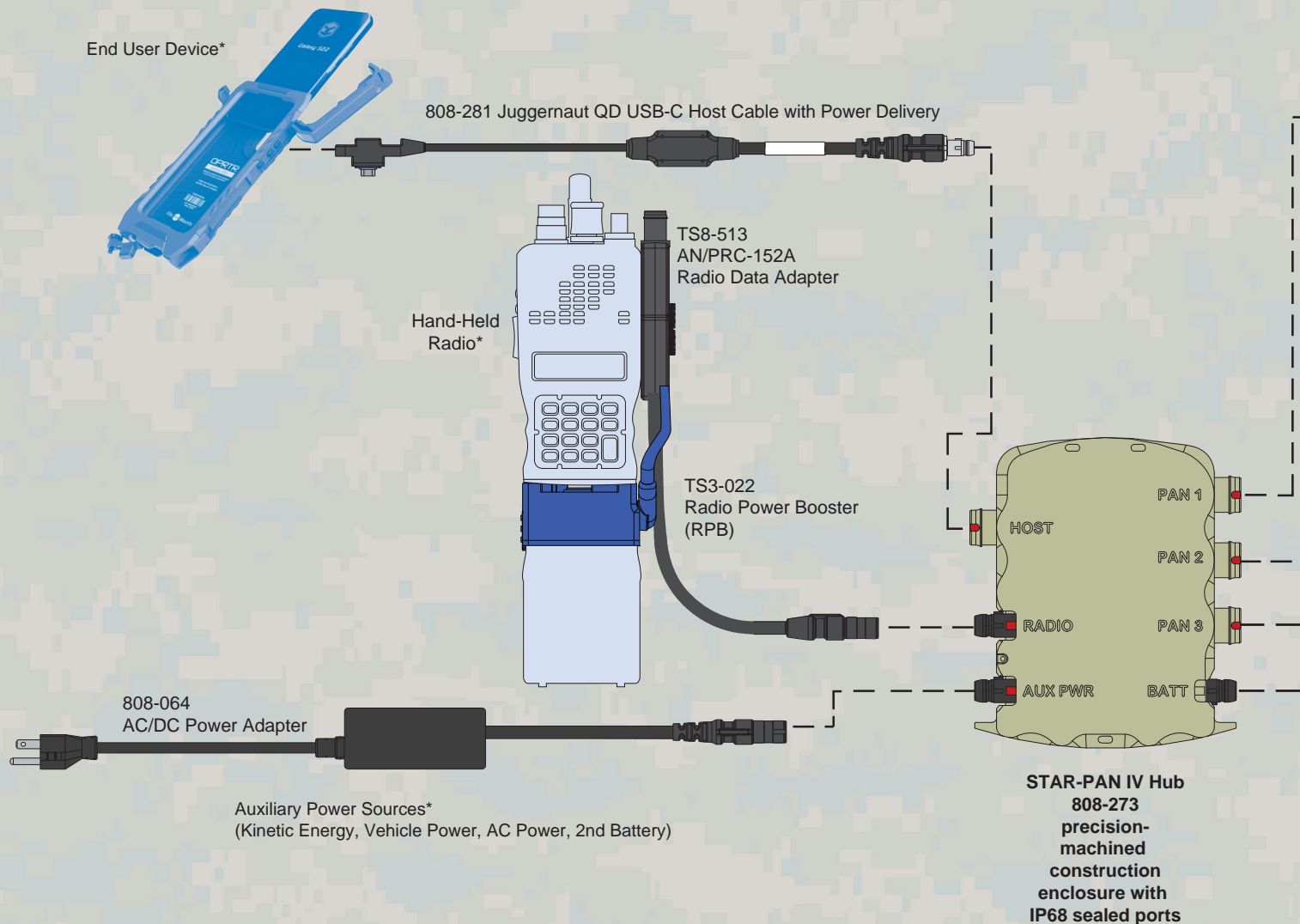
Configuration diagram



STAR-PAN™ HUBS + ACCESSORIES

STAR-PAN VI CAPABILITY DIAGRAM

- 1 designated host/EUD port
- 1 designated radio peripheral port
- 3 PAN receptacles for up to four peripherals
- Battery and auxiliary power source input
- Glenair power port management
- Radio-supplied backup power
- Smart battery charging from auxiliary power
- Up to 5A battery power per port, 5A system total
- Up to 3A 5 Volt VBUS power per port, 5A system total



BATTLE-TESTED

STAR-PAN™ IV

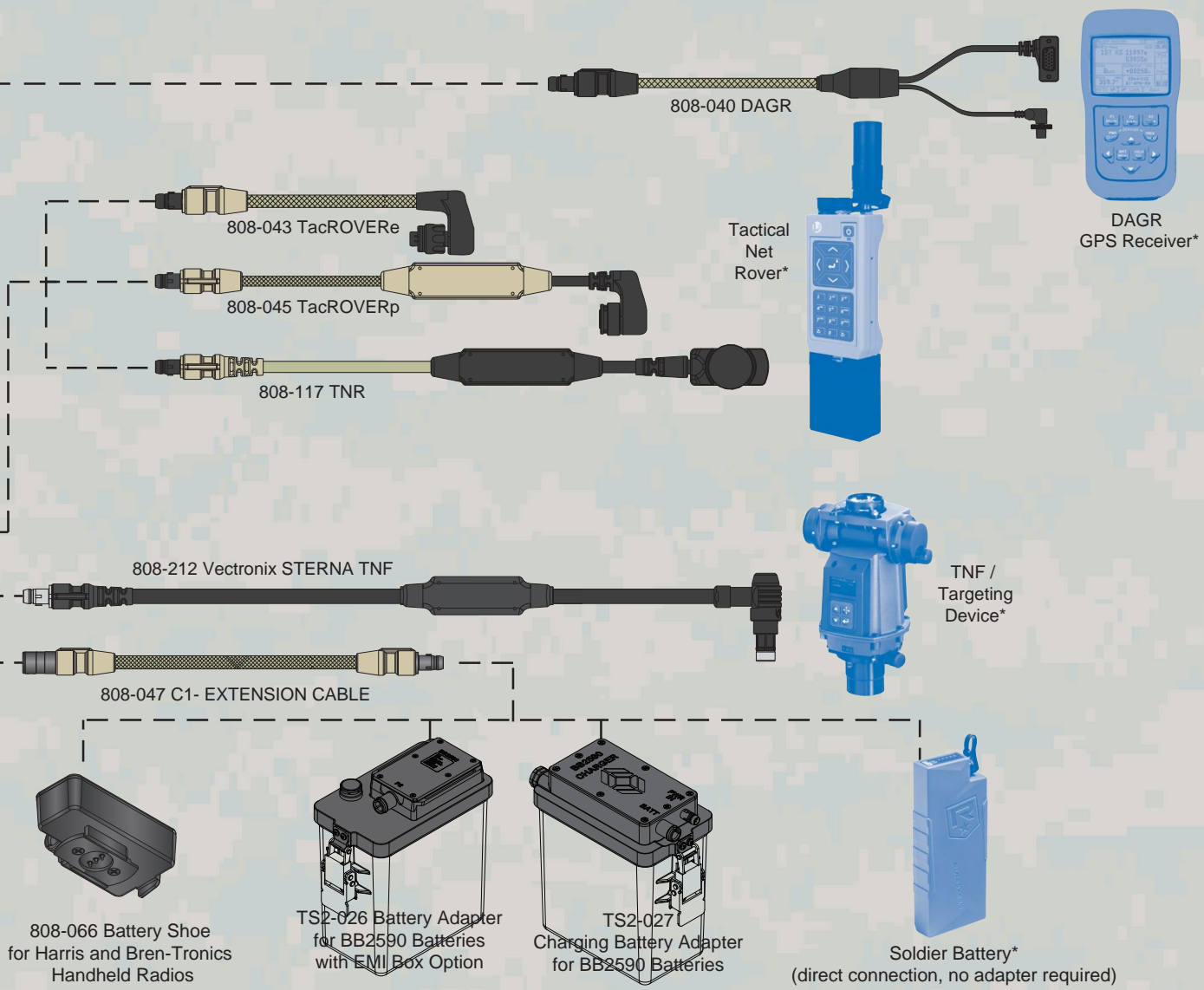
808-273 4 port smart power / data hub system Configuration diagram



STAR-PAN™ HUBS + ACCESSORIES

GLENAIR STAR-PAN TECHNOLOGY ILLUSTRATED IN THIS CAPABILITY DIAGRAM

STAR-PAN Component Description	Part Number
STAR-PAN IV Multiport USB and Power Distribution Hub	808-273
STAR-PAN General-Purpose Extension Cable	808-047
DAGR GPS/Navigation Cable	808-040
PRC 152A Radio Data Adapter	TS8-513
Juggernaut Host Cable with Power Delivery	808-281
TacROVER-E ISR Receiver Cable	808-043
TacROVER-P SIR 2.0 ISR Receiver Cable	808-045
Tactical Net Rover ISR Receiver Cable	808-117
STERNA TNF Adapter Cable	808-212
BB2590 Battery Adapter	TS2-026
Radio Power Booster	TS3-022
AC/DC Power Adapter Cable	808-064



* Example compatible devices, not supplied by Glenair

BATTLE-TESTED

STAR-PAN™ IV

STAR-PAN IV accessories

TS4-018 MOLLE pouch • TS3-001 USB Flash drive



STAR-PAN™ HUBS + ACCESSORIES



STAR-PAN IV
MOLLE pouch

MOLLE POUCH SPECIFICATIONS

- Desert tan Cordura
- Single-button snap-lock for mounting on MOLLE loops
- Front loop Velcro securely retains STAR-PAN IV hub

HOW TO ORDER

Sample Part Number:		TS4-018	-T
STAR-PAN MOLLE Pouch	STAR-PAN IV MOLLE pouch		
Color Option	-T = Tan -C = Camo		



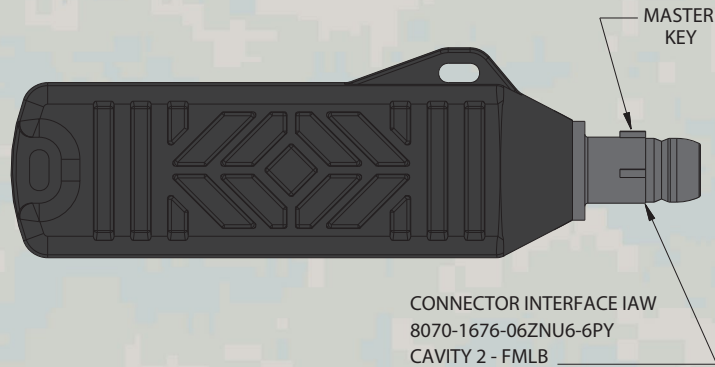
STAR-PAN
USB Flash drive

USB FLASH DRIVE SPECIFICATIONS

- Ergonomic black overmold
- 8, 16, 32, and 64 Gb capacities available
- Works with all STAR-PAN hubs

HOW TO ORDER

Sample Part Number:		TS3-001	
Accessory Series	STAR-PAN USB Flash drive		
Flash Drive Size	Omit for default 64 Gigabyte -08 = 8Gb -16 = 16Gb -32 = 32Gb		



BATTLE-TESTED

STAR-PAN™

STAR-PAN IV accessories

808-047 General-Purpose STAR-PAN Cable



STAR-PAN™ HUBS + ACCESSORIES



**General-Purpose
STAR-PAN Cable**

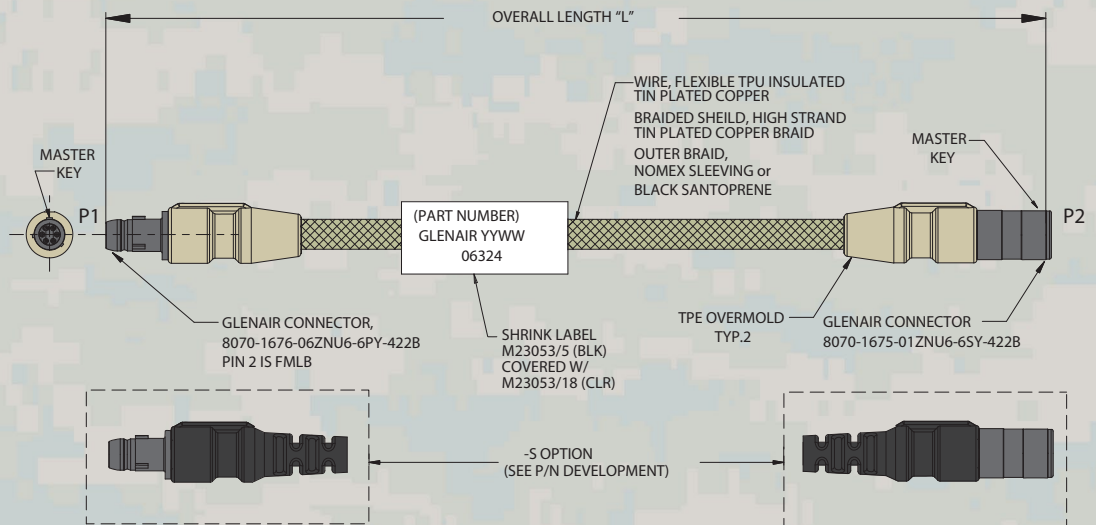
- Olive drab Nomex® braided cable, or black Santoprene-jacketed cable
- Overmolded, ergonomic connector strain reliefs, desert tan or black
- Mighty Mouse 807 (NATO standard) connectors
- Weight, 24" cable: 50g
- Export classification: ECCN 3A611.x



QUALIFIED FOR USE WITH
ALL STAR-PAN POWER / DATA HUBS:
LIGHT, II, IV, VI, AND BASE STATION X
STANDARD CABLE FOR USE WITH ALL
MIGHTY MOUSE 807-EQUIPPED ADAPTER
CABLES, EUDs, BATTERIES, AND PERIPHERALS

HOW TO ORDER

Sample Part Number:	808-047	-36
Cable Series	General-Purpose STAR-PAN cable	
Cable Jacket Option	-S = Black Santoprene Jacket Omit for standard Olive Drab Nomex	
Length Designator	In inches. Omit for default length of 24.00" [NATO NSN 5995-01-668-8636]	





STAR-PAN™ VI

Integrated USB data/power distribution hub for digitally aided close air support (DACAS) and other combined mission commander / JTAC applications

FEATURES

KEY FEATURES/BENEFITS

- Battery Power and +5VBus power to up to 4 USB devices, 2 dedicated Radio ports
- Robust fault mode protection circuitry for surge, reverse voltage, and over current
- Embedded level 3 charge control circuitry for smart battery interface, within a wide charge voltage range
- Compatible with DC power sources
- APS port for system power and main system battery charging on extended missions
- Radio Port Vbus System Hold Up for extended mission time and weight reduction
- Compatible Personal Area Network (PAN) pin configuration and Smart battery interface
- Built-in SMBus to USB converter to USB host device

- Universal PAN compliant ports (up to six devices)
- 1 designated host/EUD port
- 2 designated radio peripheral ports
- 4 PAN receptacles for up to four peripherals
- Battery and auxiliary power source input
- Glenair power port management
- Radio-supplied backup power
- Smart battery charging from auxiliary power
- Up to 5A battery power per port, 5A system total
- Up to 3A 5 Volt VBUS power per port, 5A system total
- Precision-machined construction, integrated connectors
- Heat-efficient electronics packaging to optimize efficiency and extend battery life

BATTLE-TESTED

STAR-PAN™ VI

808-037

6 port smart power and data hub system



OVERVIEW

The Glenair STAR-PAN™ VI Hub is a lightweight, durable, compact data and power distribution hub, ruggedized for harsh environment dismounted soldier applications. The connectorized hub provides a data backplane with power monitoring and management to connected external peripherals used in Digitally Aided Close Air Support (DACAS) and other mission applications. The hub is compatible with USB1.1, USB2.0 (full and high speed), and SMBus protocols. STAR-PAN™ VI contains two power inputs for extended missions. Two radio ports capable of powering up the USB Data backplane and host connection. A dedicated charge port for use with smart batteries and auxiliary power sources including multiple DC power sources such as vehicle power, solar panels, kinetic energy devices or fuel cells. All connector interfaces compliant to NATO STANAG 4695. Recommended: general-purpose C1 cable for EUD, battery, and peripheral connectivity.

PAN APPLICATIONS

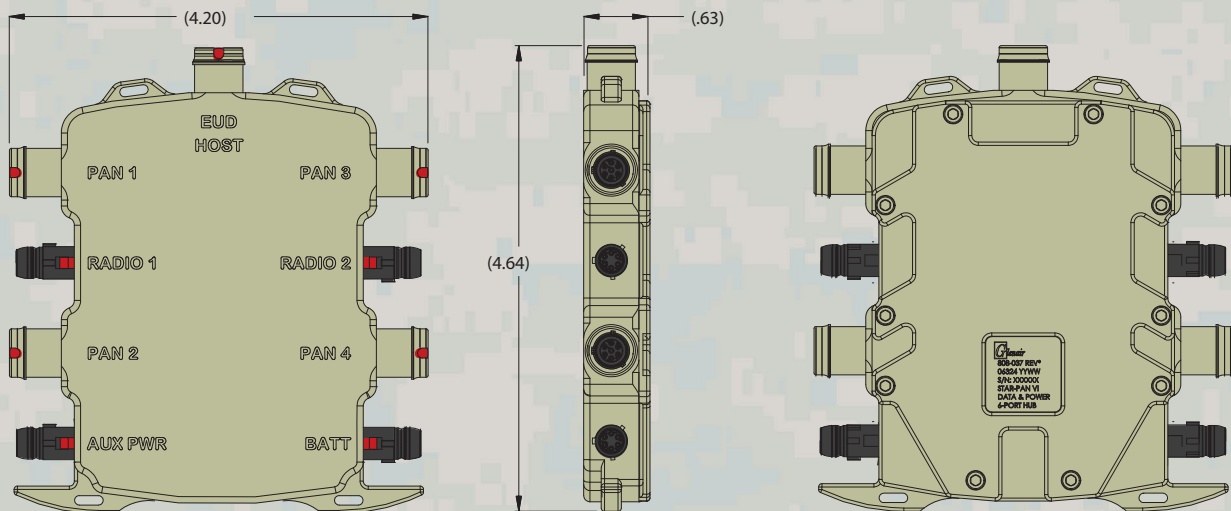
- JTAC Digitally Aided Close Air Support (DACAS)
- Tactical ops center operations commander

HOW TO ORDER

Sample Part Number:	808-037
Connectorized Hub	808-037 STAR-PAN VI 6-port power/data hub, standard port configuration: 1 EUD, 2 RADIO, 4 PAN, 2 POWER
Hub with MOLLE clip	808-037-MC 6-port hub, standard port configuration, with MOLLE clip

PERFORMANCE SPECIFICATIONS

Operating Conditions	
Operating Temperature	-40°C to +55°C
Storage Temperature	-40°C to +80°C
Operation Altitude	9754m
Storage Altitude	15240m
Water Immersion, Mated	MIL-STD-810, Method 512, 1m for 1 hr.; IP67 rated dust / water resistant
Host & Pan 1-4	
Battery Voltage	10.0V to 20.0V, 14.8V typical
Battery Supply Current	5A Maximum per individual port
+5V Backup Total Supply Current	5A based on radio supply, Radio 1 primary
Radio 1 and 2 Ports	
Battery Voltage	10.0V to 20.0V, 14.8V typical. Highest priority for power management
Battery Supply Current	5A maximum per individual port
+5V Back Up Supply Current	1.2A typical, 3A max, based on radio supply, radio 1 primary
+5V Back Up Supply Current	.5A per port
Auxiliary Power Supply Port	
Auxiliary Voltage Source	10V to 36V
Auxiliary Supply Current	5 A maximum system supply current
Battery Port	
Battery Input Voltage	10V to 20V
Battery Supply Current	5A maximum system supply current
Battery Charge Current	3A



STAR-PAN™ HUBS + ACCESSORIES

BATTLE-TESTED

STAR-PAN™ VI

808-037 6 port smart power and data system

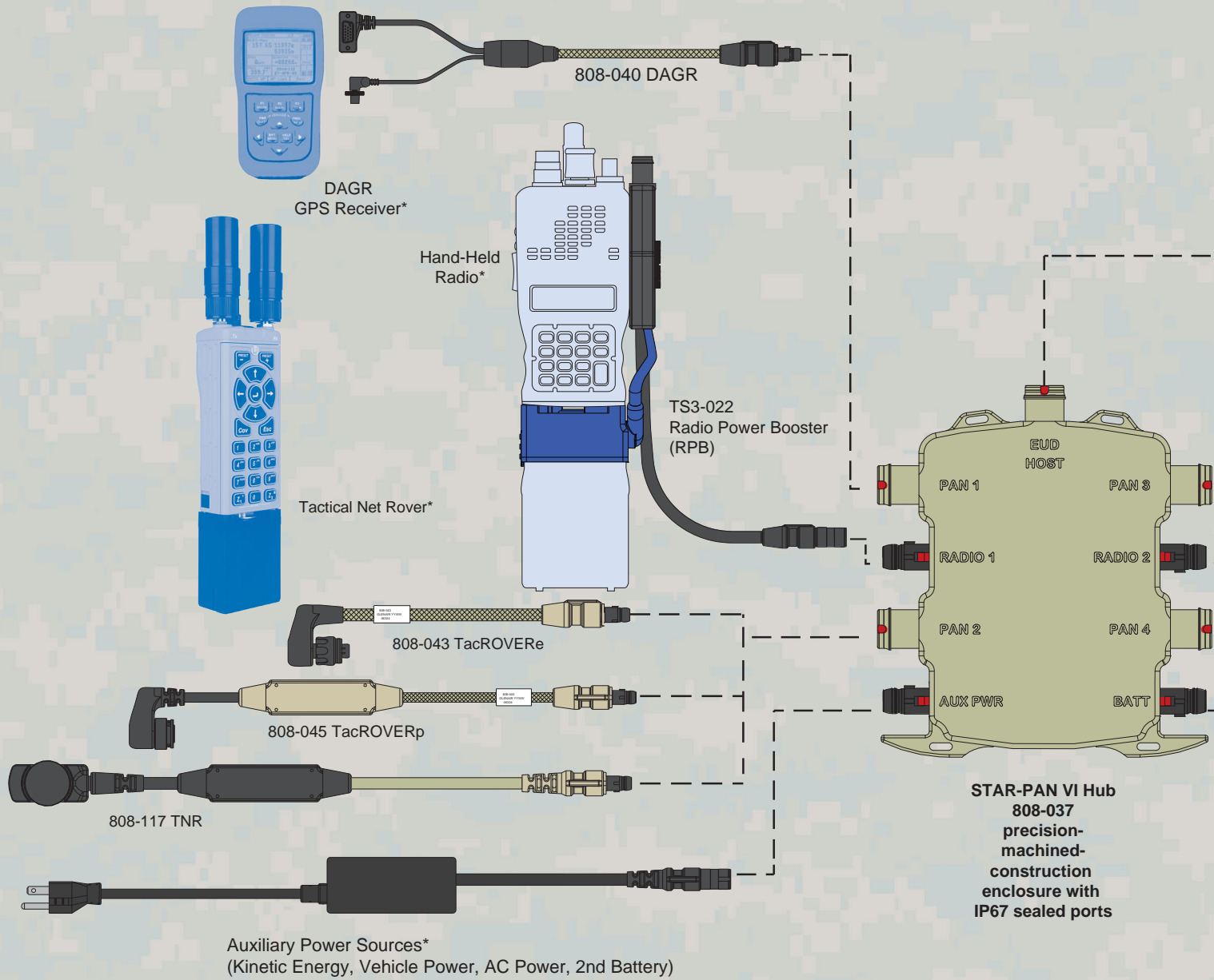
Configuration diagram



STAR-PAN™ HUBS + ACCESSORIES

STAR-PAN VI CAPABILITY DIAGRAM

- Universal PAN compliant ports (up to six devices)
- 1 designated host/EUD port
- 2 designated radio peripheral ports
- 4 PAN receptacles for up to four peripherals
- Battery and auxiliary power source input
- Glenair power port management
- Radio-supplied backup power
- Smart battery charging from auxiliary power
- Up to 5A battery power per port, 5A system total
- Up to 3A 5 Volt VBUS power per port, 5A system total



BATTLE-TESTED

STAR-PAN™ VI

808-037 6 port smart power and data system Configuration diagram



GLENAIR STAR-PAN TECHNOLOGY ILLUSTRATED IN THIS CAPABILITY DIAGRAM

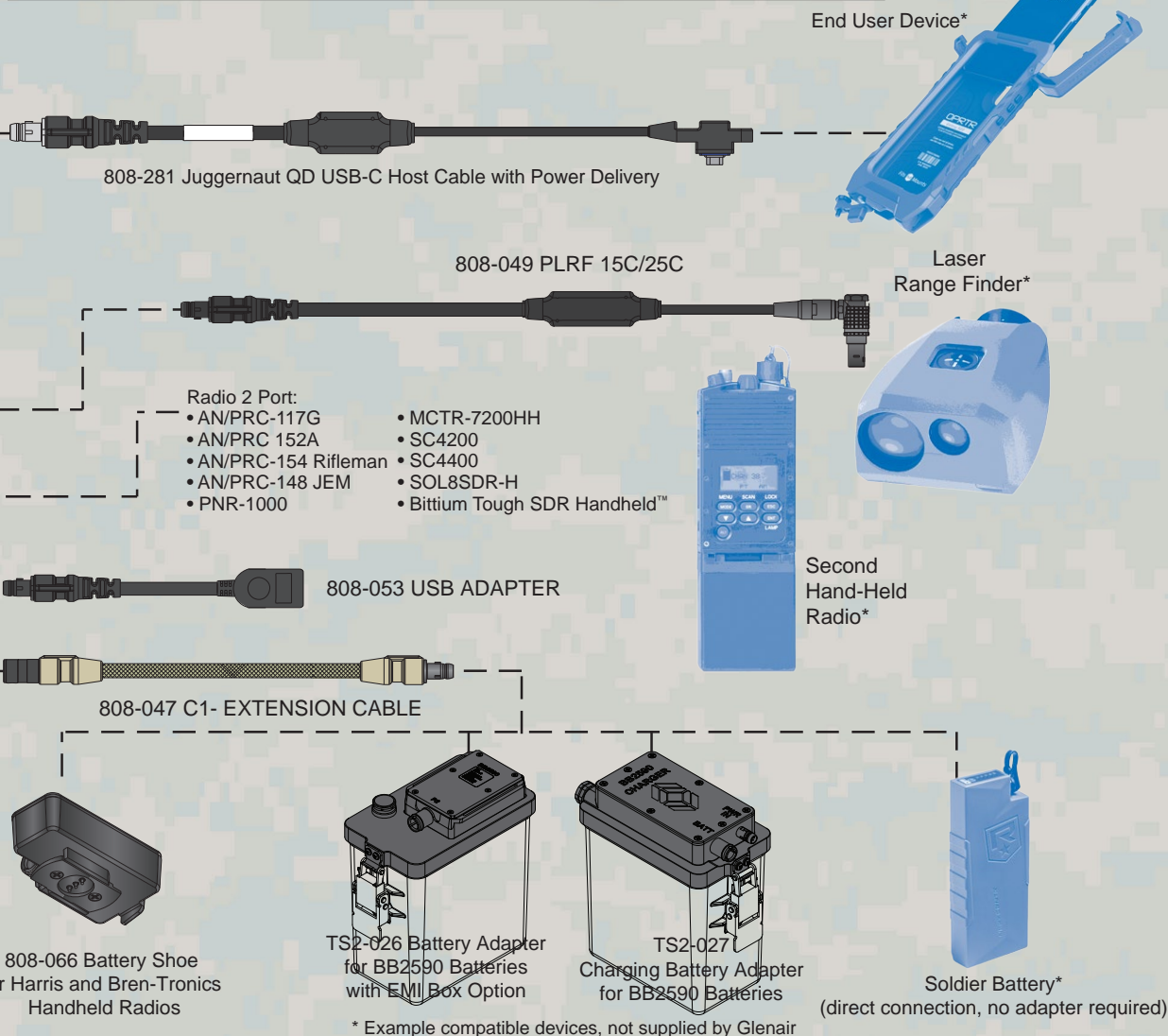
STAR-PAN Component Description	Part Number
STAR-PAN VI Multiport USB and Power Distribution Hub	808-037
STAR-PAN General-Purpose Extension Cable	808-047
PRC 152A Radio Data Adapter	TS8-513
Juggernaut Host Cable with Power Delivery	808-281
DAGR GPS/Navigation Cable	808-040
RT-1922 MicroLight SADL Radio Cable	808-044
TacROVER-E ISR Receiver Cable	808-043
TacROVER-P SIR 2.0 ISR Receiver Cable	808-045
Tactical Net Rover ISR Receiver Cable	808-117
PLRF 15C/25C Laser Range Finder Cable	808-049
USB 2.0 Adapter Cable	808-053
BB2590 Battery Adapter	TS2-026
Radio Power Booster	TS3-022
AC/DC Power Adapter Cable	808-064
STAR-PAN VI Quick-Start User's Guide	990-TS003



Pocket-Size
STAR-PAN VI
Quick-Start
User's Guide

[www.glenair.com/
star-pan](http://www.glenair.com/star-pan)

STAR-PAN™ HUBS + ACCESSORIES



BATTLE-TESTED

STAR-PAN™ VI

STAR-PAN VI accessories

TS4-009 MOLLE pouch • TS3-001 USB Flash drive



STAR-PAN™ HUBS + ACCESSORIES



STAR-PAN VI
MOLLE pouch

MOLLE POUCH SPECIFICATIONS

- Tan or Camouflage Cordura
- Single-button snap-lock for mounting on MOLLE loops
- Front loop Velcro securely retains STAR-PAN II hub

HOW TO ORDER

Sample Part Number:		TS4-009	-C
STAR-PAN MOLLE Pouch	STAR-PAN VI MOLLE pouch		
Color Option	-T = Tan -C = Camo		



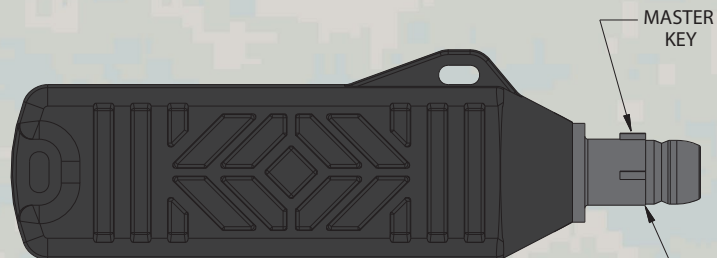
STAR-PAN
USB Flash drive

USB FLASH DRIVE SPECIFICATIONS

- Ergonomic black overmold
- 8, 16, 32, and 64 Gb capacities available
- Works with all STAR-PAN hubs

HOW TO ORDER

Sample Part Number:		TS3-001	
Accessory Series	STAR-PAN USB Flash drive		
Flash Drive Size	Omit for default 64 Gigabyte -08 = 8Gb -16 = 16Gb -32 = 32Gb		



CONNECTOR INTERFACE IAW
8070-1676-06ZNU6-6PY
CAVITY 2 - FMLB

BATTLE-TESTED

STAR-PAN™

STAR-PAN VI accessories

808-047 General-Purpose STAR-PAN Cable



STAR-PAN™ HUBS + ACCESSORIES



**General-Purpose
STAR-PAN Cable**



QUALIFIED FOR USE WITH
ALL STAR-PAN POWER / DATA HUBS:
LIGHT, II, IV, VI, AND BASE STATION X
STANDARD CABLE FOR USE WITH ALL
MIGHTY MOUSE 807-EQUIPPED ADAPTER
CABLES, EUDs, BATTERIES, AND PERIPHERALS

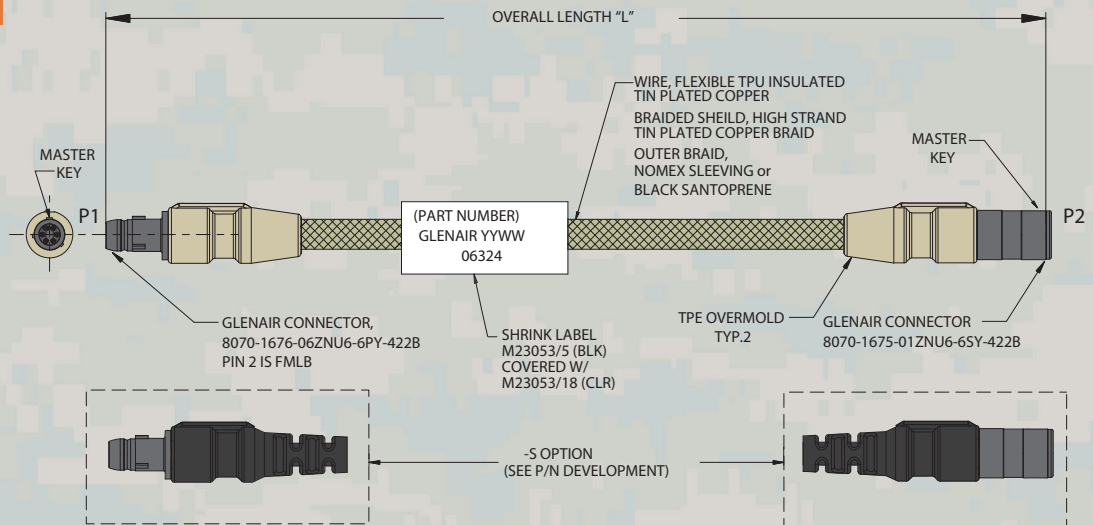
SPECIFICATIONS

- Olive drab Nomex® braided cable, or black Santoprene-jacketed cable
- Overmolded, ergonomic connector strain reliefs, desert tan or black
- Mighty Mouse 807 (NATO standard) connectors
- Weight, 24" cable: 50g
- Export classification: ECCN 3A611.x

HOW TO ORDER

Sample Part Number:	808-047	-36
Cable Series	General-Purpose STAR-PAN cable	
Cable Jacket Option	-S = Black Santoprene Jacket Omit for standard Olive Drab Nomex	
Length Designator	In inches. Omit for default length of 24.00" [NATO NSN 5995-01-668-8636]	

HUB PORT DESIGNATOR:
PAN





STAR-PAN™ X BASE STATION

Ten-port power/data hub with TAK Server

Optimized for vehicle, helicopter, or vessel mounting, STAR-PAN X Base Station enhances soldier situational awareness with real-time TAK Server access to Battlefield Management System data, while at the same time charging soldier system batteries. STAR-PAN X Base Station incorporates an embedded MISSION MANAGER with upgraded processing power. STAR-PAN X Base Station uses the same NATO standard interconnect interface as soldier-worn STAR-PAN systems.

KEY FEATURES/BENEFITS

- Provide Battery Power and VBUS power to up to 10 USB peripheral devices simultaneously
- Heat-efficient electronics packaging for optimal efficiency and extended battery life
- Auxiliary power ports for long-length missions or hot swappable BB2590 batteries
- SMBUS, USB2.0 (Full and High Speed), USB1.1 compatible interface, USB 3.0 Super Speed, Gigabit Ethernet, HDMI output
- Glenair signature power monitoring and management
- Standard Personal Area Network (PAN) pin configuration, smart battery interface, Direct Current Power Source (DCPS)
- SMBus to USB conversion via PAN power connectors
- Overvoltage, overcurrent, short circuit protection and SMBus capability
- SPAR APP compatibility
- Environmentally sealed

SPECIFICATIONS

- PAN ports for up to ten devices
- HDMI and Ethernet ports
- Integrated STAR-PAN MISSION MANAGER functionality
- Two USB 3.0 ports
- Two battery and one auxiliary power source inputs
- Glenair power port management
- Smart battery charging from auxiliary power
- Up to 5A battery power per port, 20A system total
- Up to 2A 5 Volt VBUS power per port, 10A across all ports
- Precision-machined construction, integrated connectors



BATTLE-TESTED

STAR-PAN™ X Base Station

TS8-462

10-port smart power and data base station hub



STAR-PAN™ HUBS + ACCESSORIES

OVERVIEW

STAR-PAN X 10-Port Base Station is a multi-port data and power hub for platform-based C4ISR integration. STAR-PAN X 10-port Base Station provides the same NATO standard interconnect interface as soldier-worn STAR-PAN systems, making it completely interoperable with the existing portfolio of cables and adapters, and allowing easy soldier interconnection to the platform's data and power network. The unit incorporates an embedded MISSION MANAGER with upgraded processing power. STAR-PAN X has various industry standard interfaces and the ability to run on external battery power. This gives it an ad hoc Walk on/Walk off integration capability without the need to dramatically impact or change the platform's data or power architecture. Dismounted soldiers can connect to the vehicle power and data accessing on-board radios and sensors via a single cable connection and/or access data through the WiFi-network when operating in the vicinity of the vehicle.

APPLICATIONS

- Armored personnel carriers
- Land / air troop transports
- Landing craft / Naval vessels

BASE STATION X CABLE PART NUMBERS

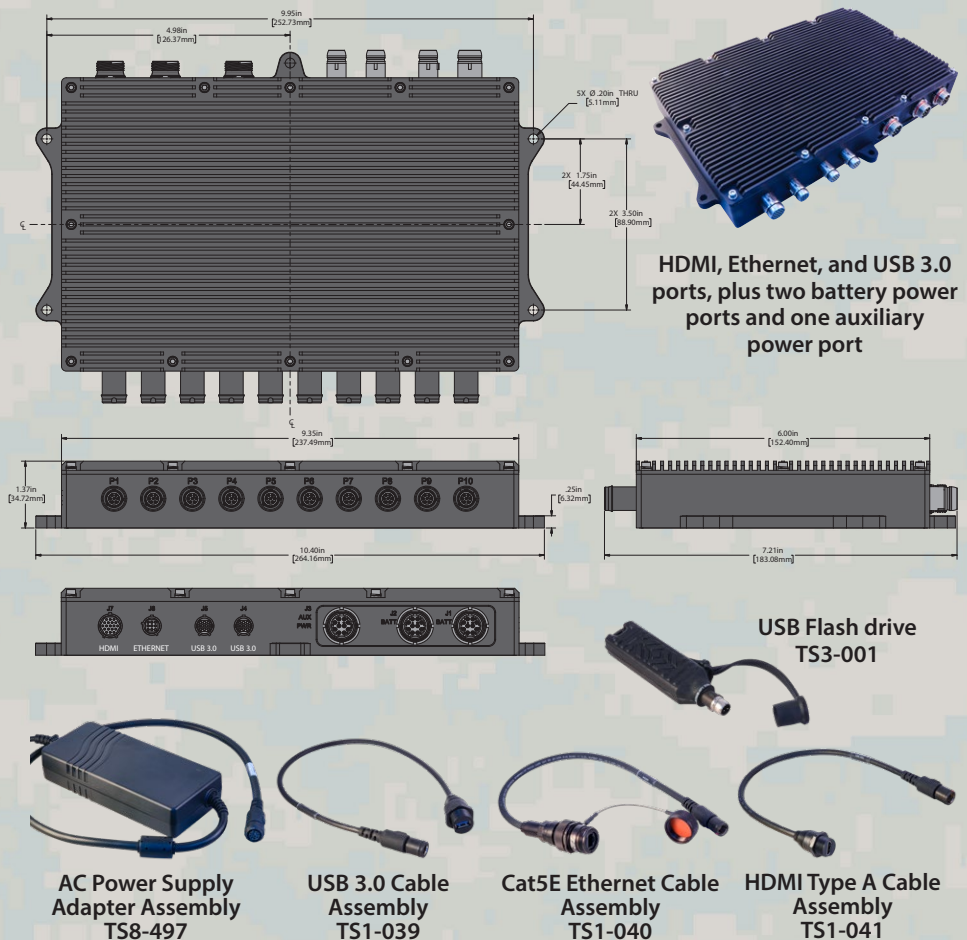
BB259 Battery Cable Adapter	TS8-496
BB259 Battery Cable Adapter With Enclosed EMI Box	TS8-496-1
AC Pwr Supply Cable Adapter	TS8-497
USB 3.0 Cable Assembly	TS1-039
Cat 5e Ethernet Cable	TS1-040
HDMI Type A Cable Assembly	TS1-041
USB Flash drive	TS3-001
General-Purpose Extension Cable	808-047
BATT Port Adapter Cable	TS1-100
Plug-to-AUX Port Adapter Cable	TS1-090
Plug-to-BATT Port Adapter Cable	TS1-092
Plug to TS2-009 Power Conditioner Adapter Cable	TS1-093

HOW TO ORDER

Sample Part Number:	TS8-462
Connectorized Hub	STAR-PAN X Base Station 10-port power/data hub

PERFORMANCE SPECIFICATIONS

Operating Conditions	
Operating Temperature	-40°C to +60°C
Storage Temperature	-40°C to +80°C
Operation Altitude	40,000 ft.
Pan 1-10	
Battery Voltage	10.0V to 20.0V
Battery Supply Current	5A Maximum per individual port
Total VBATT Output Current	20A
Auxiliary Power Supply Port	
Auxiliary Voltage Source	10V to 36V
Auxiliary Input Current	20A maximum
Battery Port	
Battery Input Voltage	20V to 36V, 28V typical
Battery Input Current	10A maximum
Battery Charge Current	5A maximum



STAR-PAN™

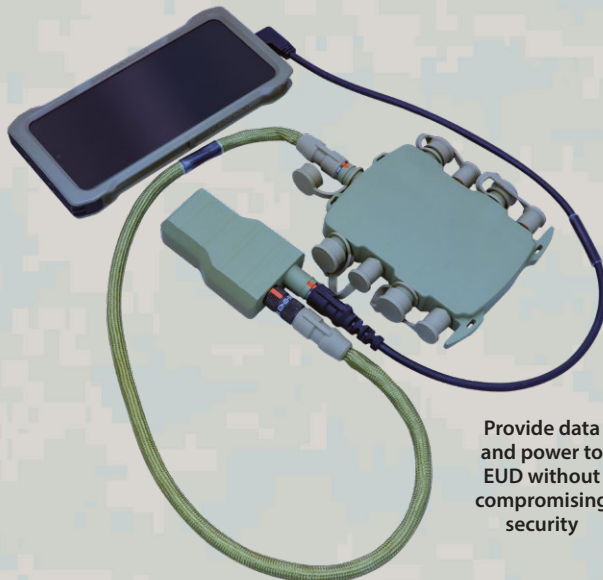
STAR-PAN™ MISSION MANAGER

Plug-and-play EUD/USB peripheral data exchange device

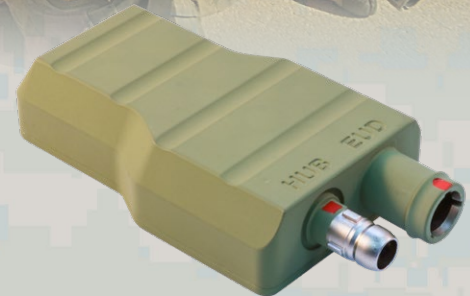
GLENAIR MISSION MANAGER WITH MX QUICK-CONFIGURATION SOFTWARE

JTAC peripheral device configuration for both general use and mission-specific profiles is a complicated and time-consuming process, repeated for each and every mission. The Glenair STAR-PAN™ MISSION MANAGER with MX quick-configuration software reduces this problem by providing a plug-and-play bridge between the soldier's End User Device (EUD) and the C4ISR peripherals he depends on for mission success.

The STAR-PAN™ MISSION MANAGER is a Linux OS ARM-based embedded computing device that acts as a full-time host, brokering data between soldier USB peripherals and the EUD. In combination with Stauder Technologies' user-configurable MX application software, the STAR-PAN™ MISSION MANAGER makes connecting multiple devices to any EUD—before, during, or between missions—easier than ever before.



Provide data and power to EUD without compromising security



FEATURES

- End User Device independent—no device rooting or custom ROM images needed
- Real-time, plug-and-play device integration
- Supports multiple simultaneous Ethernet devices
- Dedicated EUD port for connection to downstream EUD
- WiFi version with RF antenna port
- Minimal power demands
- Seamless integration into STAR-PAN systems
- NATO standard Mighty Mouse connector interface
- Mission Manager MX software Android, iOS, Windows and Linux compatible
- Export classification EAR99

Mission Manager with MX Software

Plug-and-play EUD / USB peripheral data exchange device



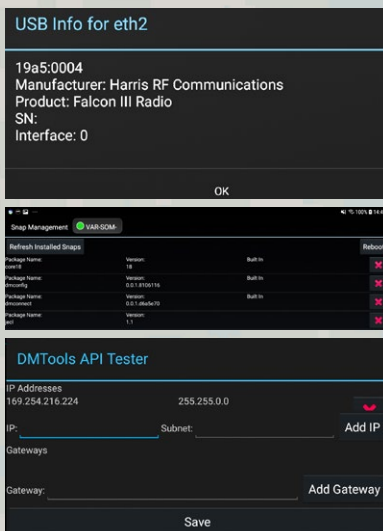
MISSION MANAGER

STAR-PAN™ MISSION MANAGER MX SOFTWARE CAPABILITIES

MISSION MANAGER with Stauder Technologies' MX quick-configuration software eliminates the need for costly EUD OS development, and/or complicated device provisioning, by providing an intelligent interconnection bridge between the soldier's EUD and his C4ISR peripherals. The secure datalink software runs directly on the EUD providing a graphical user interface for configuration and management of USB/Ethernet datalink connections and radios. STAR-PAN™ MISSION MANAGER with MX software eliminates the need to retest or recertify complex systems after EUD update or replacement.



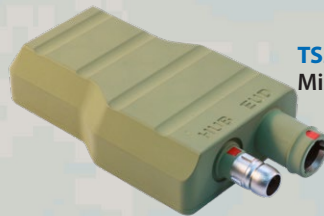
QUALIFIED FOR USE WITH
ALL STAR-PAN POWER / DATA HUBS:
LIGHT, I, II, IV, AND VI



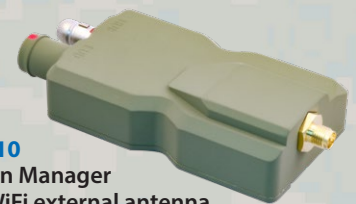
MISSION MANAGER MX software runs directly on the soldier's EUD to provide plug-and-play configuration and management of USB/Ethernet datalink connections and radios

HOW TO ORDER

Sample Part Number:	TS2-002
Mission Manager - standard	TS2-002 MISSION MANAGER [NATO NSN 7025-01-687-0223]
Mission Manager - wireless	TS2-005 MISSION MANAGER Wireless
Mission Manager - with WiFi / RF	TS2-010 MISSION MANAGER Wireless with external antenna
Quick-Start User's Guide	990-TS004 MISSION MANAGER Quick-Start User's Guide



TS2-002
Mission Manager

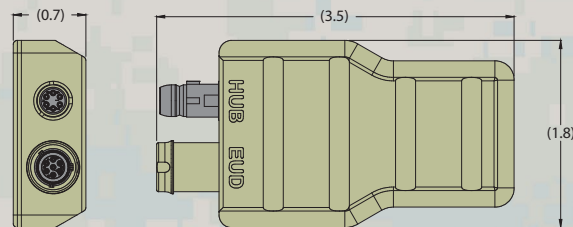


TS2-010
Mission Manager
with WiFi external antenna

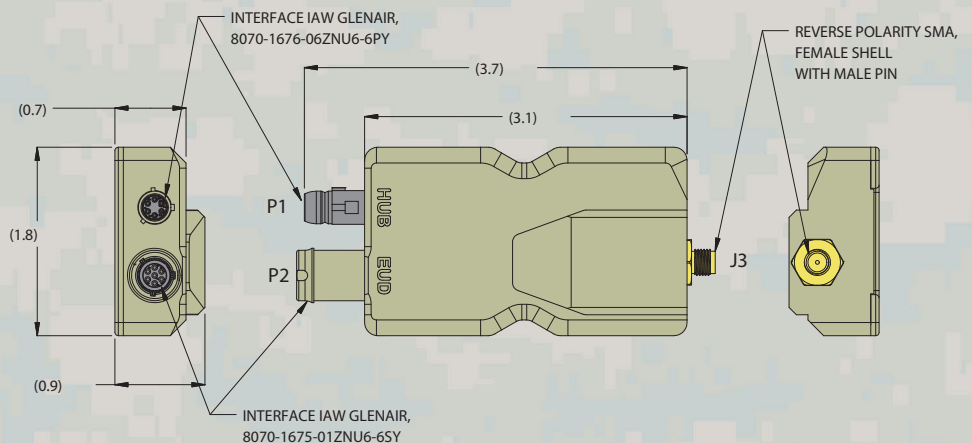
PERFORMANCE SPECIFICATIONS

Storage Temperature	-40°C to +80°C
Operating Temperature	-20°C to +55°C
Operation Altitude	9754m
Storage Altitude	15240m

TS2-002 MISSION MANAGER STANDARD / TS2-005 MISSION MANAGER WIRELESS



TS2-010 MISSION MANAGER WITH WIRELESS RF CONNECTOR





BATTLE-TESTED

STAR-PAN™

General-Purpose Cables



GENERAL PURPOSE STAR-PAN CABLES

Part No.	NATO Stock No. NSN	Description	Electrical Function	Weight	Standard Length	Cable Finish	ECCN / EAR	Page No.
808-047	5995-01-668-8636	General-Purpose STAR-PAN cable (for use with all Mighty Mouse 807-equipped adapter cables, EUDs, batteries, and peripherals)	Power + Data	50g	24"	Black Santoprene or Nomex, O.D.	3A611.x	39
808-081		STAR-PAN II Expansion Cable	Power + Data	56g	8"	Black Santoprene	3A611	40
TS8-460		STAR-PAN II Splitter Cable	Power + Data	56g	8"	Black Santoprene	3A611	41
808-095		90° Exit Cable (with 90° plug)	Power + Data	20g	6"	Nomex, O.D.	3A611.x	42
808-244		90° Exit Cable (with 90° receptacle)	Power + Data	20g	6"	Nomex, O.D.	3A611.x	43
808-236		6-6 Receptacle-to-Receptacle Cable	Power + Data	(consult factory)	8"	Black Polyurethane	3A611.x	44
TS8-452		Radio-to-PAN Adapter Cable	Power + Data	(consult factory)	24"	Nomex, O.D.	3A611.x	45
808-129		Plug flying lead assembly	Power + Data	65g	24"	Black Santoprene	99	46
808-130		Receptacle flying lead assembly	Power + Data	65g	24"	Black Santoprene	99	47

BATTLE-TESTED

STAR-PAN™

General-Purpose STAR-PAN Cables

808-047 General-purpose STAR-PAN cable



GENERAL-PURPOSE CABLES



General-Purpose STAR-PAN Cable



QUALIFIED FOR USE WITH
ALL STAR-PAN POWER / DATA HUBS:
LIGHT, II, IV, VI, AND BASE STATION X
STANDARD CABLE FOR USE WITH ALL
MIGHTY MOUSE 807-EQUIPPED ADAPTER
CABLES, EUDs, BATTERIES, AND PERIPHERALS

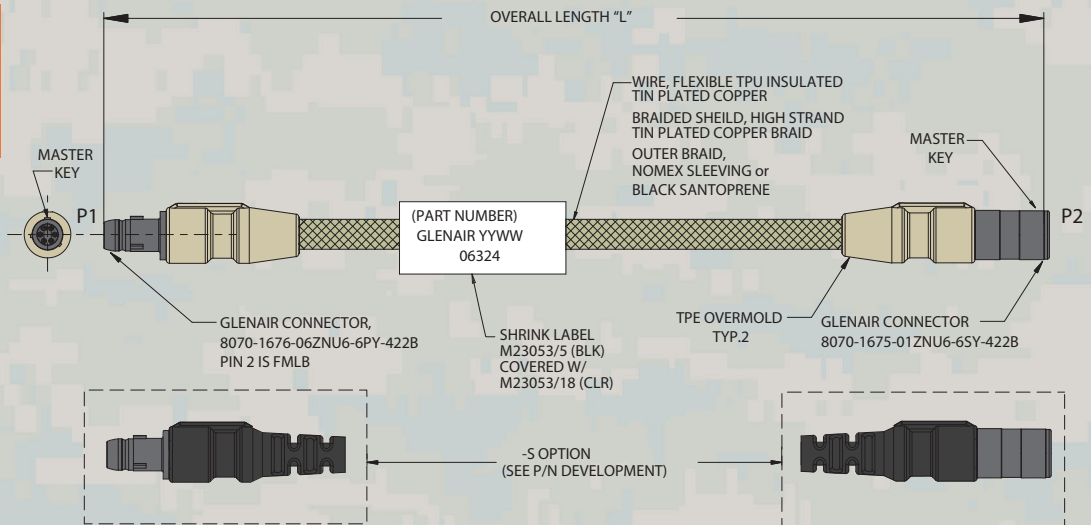
SPECIFICATIONS

- Olive drab Nomex® braided cable, or black Santoprene-jacketed cable
- Overmolded, ergonomic connector strain reliefs, desert tan or black
- Mighty Mouse 807 (NATO standard) connectors
- Weight, 24" cable: 50g
- Export classification: ECCN 3A611.x

HOW TO ORDER

Sample Part Number:	808-047	-36
Cable Series	General-Purpose STAR-PAN cable	
Cable Jacket Option	-S = Black Santoprene Jacket Omit for standard Olive Drab Nomex	
Length Designator	In inches. Omit for default length of 24.00" [NATO NSN 5995-01-668-8636]	

HUB PORT DESIGNATOR:
**EUD
AUX
RADIO
BATT**



BATTLE-TESTED

STAR-PAN™ II

General-Purpose STAR-PAN Cables

808-081 STAR-PAN II expansion cable



DESIGNED FOR STAR-PAN II.
EXPANDS PAN PORT TO UTILIZE TWO
USB PERIPHERAL DEVICES



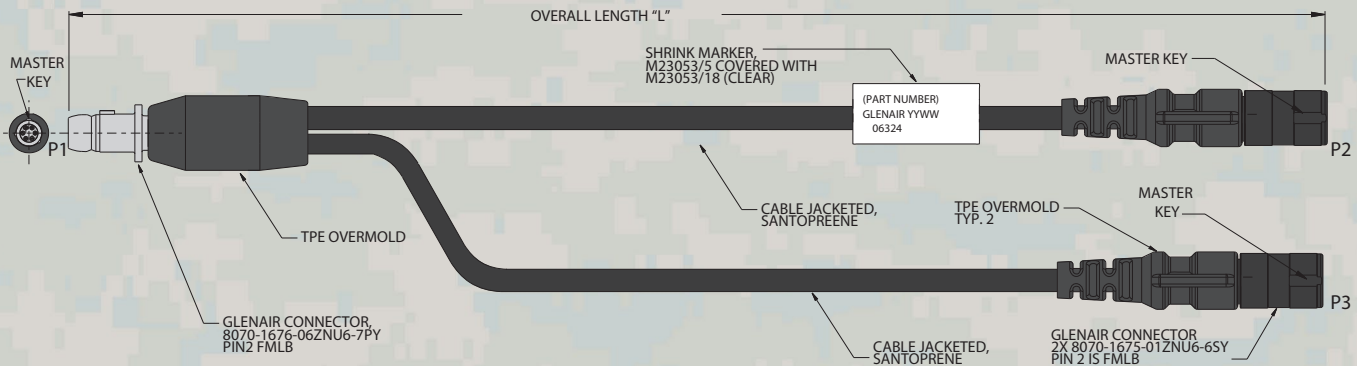
SPECIFICATIONS

- Santoprene-jacketed cable, black
- TPE overmolded, ergonomic connector strain reliefs
- Mighty Mouse 807 (NATO standard) connectors
- Weight, 8" cable: 56g
- Export classification: ECCN 3A611.x

HOW TO ORDER

Sample Part Number:	808-081
Cable Series	STAR-PAN II Expansion Cable
Length Designator	In inches (minimum 6.00") Omit for default length of 8.00"

HUB PORT DESIGNATOR:
PAN



GENERAL-PURPOSE CABLES

BATTLE-TESTED

STAR-PAN™ II

General-Purpose STAR-PAN Cables

TS8-460 STAR-PAN II splitter cable



DESIGNED FOR STAR-PAN II.
EXPANDS PAN PORT INTO ONE RADIO
CONNECTION AND ONE PAN CONNECTION

SPECIFICATIONS

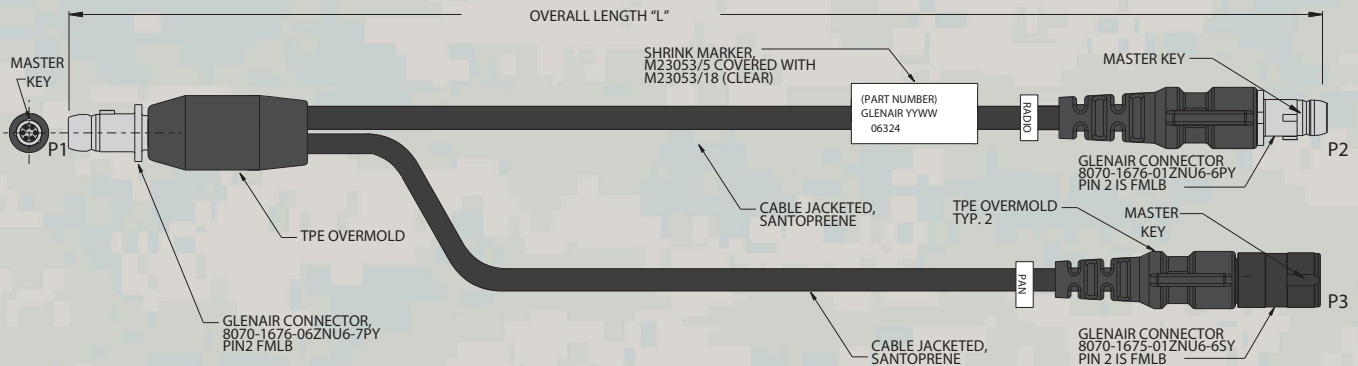
- Santoprene-jacketed cable, black
- TPE overmolded, ergonomic connector strain reliefs
- Mighty Mouse 807 (NATO standard) connectors
- Weight, 8" cable: 56g
- Export classification: ECCN 3A611.x

HOW TO ORDER

Sample Part Number:		TS8-460
Cable Series	STAR-PAN II Splitter Cable	
Length Designator	In inches (minimum 6.00") Omit for default length of 8.00"	

GENERAL-PURPOSE CABLES

HUB PORT DESIGNATOR:
PAN



BATTLE-TESTED

STAR-PAN™

General-Purpose STAR-PAN Cables

808-095 Right-angle exit cable (90° plug)



GENERAL-PURPOSE CABLES

SPECIFICATIONS

- Olive drab Nomex® braided cable
- Overmolded, ergonomic connector strain reliefs, desert tan
- Mighty Mouse 807 (NATO standard) connectors
- Weight, 6" cable: 20g
- Export classification: ECCN 3A611.x

HOW TO ORDER

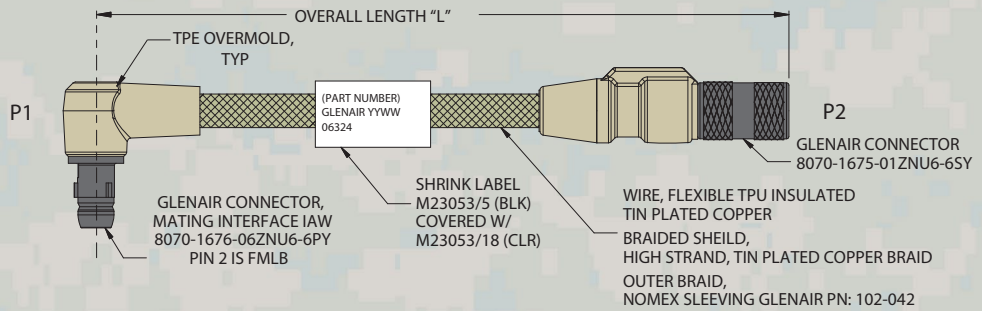
Sample Part Number:	808-095	-8
Cable Series	STAR-PAN 90° plug cable	
Master Key Orientation	See figure 1. Omit for -3 90° default	
Length Designator	In inches Omit for default length of 6.00"	



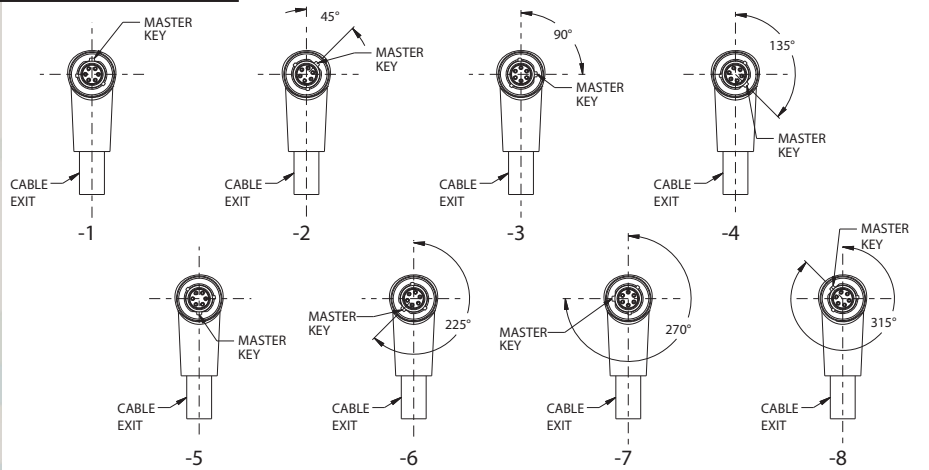
QUALIFIED FOR USE WITH
ALL STAR-PAN POWER / DATA HUBS:
LIGHT, I, II, IV, AND VI

HUB PORT DESIGNATOR:

**EUD
AUX
RADIO
BATT**



MASTER KEY ORIENTATION



BATTLE-TESTED

STAR-PAN™

General-Purpose STAR-PAN Cables

808-244 Right-angle exit cable (90° receptacle)



GENERAL-PURPOSE CABLES

SPECIFICATIONS

- Olive drab Nomex® braided cable
- Overmolded, ergonomic connector strain reliefs, desert tan
- Mighty Mouse 807 (NATO standard) connectors
- Weight, 6" cable: 20g
- Export classification: ECCN 3A611.x

HOW TO ORDER

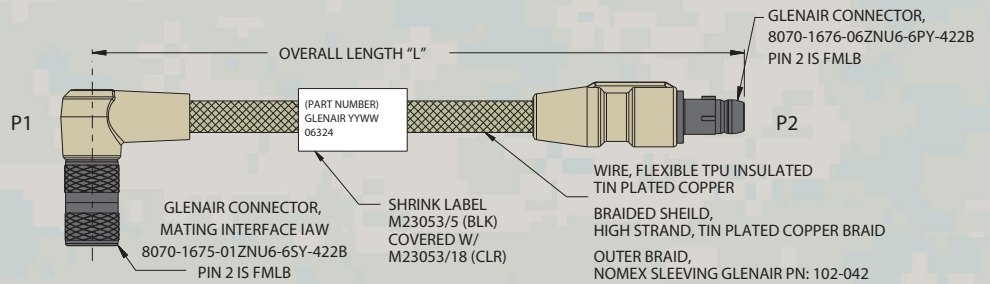
Sample Part Number:	808-244	-8
Cable Series	STAR-PAN 90° receptacle cable	
Master Key Orientation	See figure 1. Omit for -3 90° default	
Length Designator	In inches Omit for default length of 6.00"	



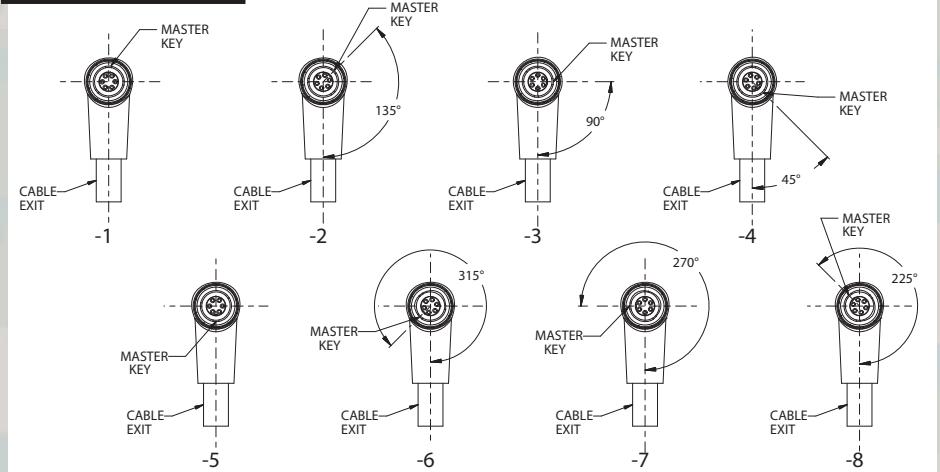
QUALIFIED FOR USE WITH
ALL STAR-PAN POWER / DATA HUBS:
LIGHT, I, II, IV, AND VI

HUB PORT DESIGNATOR:

**EUD
AUX
RADIO
BATT**



MASTER KEY ORIENTATION



BATTLE-TESTED

STAR-PAN™

General-Purpose STAR-PAN Cables

808-236 6-6 Receptacle-to-Receptacle Cable



GENERAL-PURPOSE CABLES



Receptacle-to-Receptacle connector cable

SPECIFICATIONS

- Polyurethane-overmolded cable, black
- Overmolded, ergonomic connector strain reliefs, black
- Mighty Mouse 807 (NATO standard) connectors
- Weight, 8" cable: (consult factory)
- Export classification: ECCN 3A611.x

HOW TO ORDER

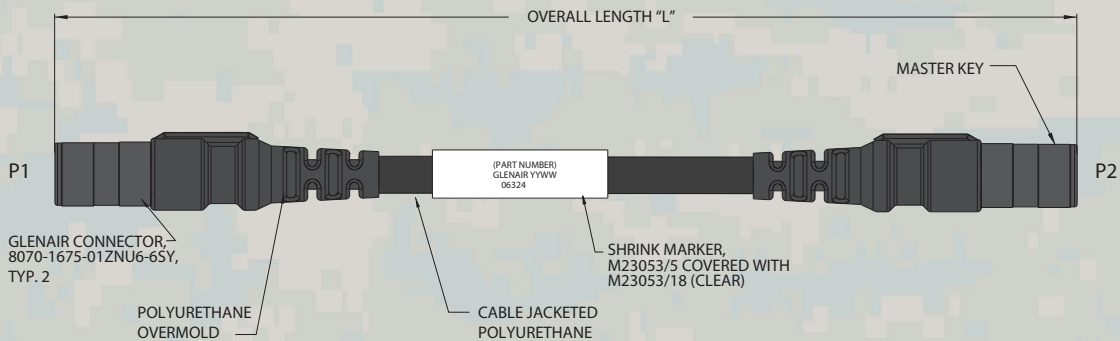
Sample Part Number:		808-236	-12
Cable Series	General-Purpose STAR-PAN cable		
Length Designator	In inches. Omit for default length of 8.00"		



QUALIFIED FOR USE WITH ALL STAR-PAN POWER / DATA HUBS: LIGHT, I, II, IV, AND VI

HUB PORT DESIGNATOR:

EUD
AUX
RADIO
BATT



BATTLE-TESTED

STAR-PAN™

General-Purpose STAR-PAN Cables TS8-452 Radio-to-PAN Adapter Cable



GENERAL-PURPOSE CABLES



Radio-to-PAN
adapter cable

SPECIFICATIONS

- Nomex-overbraided cable, olive drab
- Overmolded, ergonomic connector strain reliefs, desert tan
- Mighty Mouse 807 (NATO standard) connectors
- Weight, 24" cable: (consult factory)
- Export classification: ECCN 3A611.x

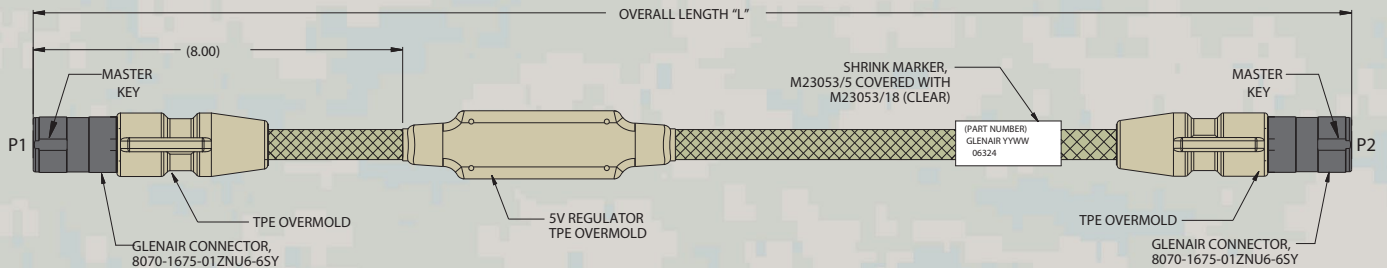
HOW TO ORDER

Sample Part Number:		TS8-452	-32
Cable Series	General-Purpose STAR-PAN cable		
Length Designator	In inches. Omit for default length of 24.00"		



QUALIFIED FOR USE WITH
ALL STAR-PAN POWER / DATA HUBS:
LIGHT, I, II, IV, AND VI

HUB PORT DESIGNATOR:
EUD
AUX
RADIO
BATT



BATTLE-TESTED

STAR-PAN™

General-Purpose STAR-PAN Cables: 808-129 PAN port



GENERAL-PURPOSE CABLES

SPECIFICATIONS

- User-terminatable for fast prototyping and non-standard connector support
- Black Santoprene-jacketed single-ended cable
- Overmolded, ergonomic connector strain relief
- Mighty Mouse 807 (NATO standard) connector
- Weight, 24" cable: 65g
- Export classification: EAR 99
- PAN port

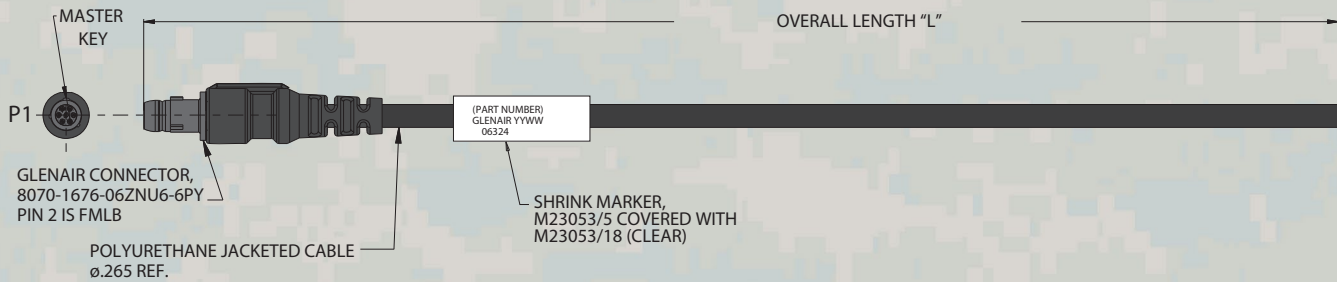
HOW TO ORDER

Sample Part Number:	808-129	-18
Cable Series	STAR-PAN flying lead assembly, PAN port	
Length Designator	In inches Omit for default length of 24.00"	



QUALIFIED FOR USE WITH
ALL STAR-PAN POWER / DATA HUBS:
LIGHT, I, II, IV, AND VI

HUB PORT DESIGNATOR:
PAN



BATTLE-TESTED

STAR-PAN™

General-Purpose STAR-PAN Cables: 808-130 RADIO, AUX, or BATT port



GENERAL-PURPOSE CABLES

SPECIFICATIONS

- User-terminatable for fast prototyping and non-standard connector support
- Black Santoprene-jacketed single-ended cable
- Overmolded, ergonomic connector strain relief
- Mighty Mouse 807 (NATO standard) connector
- Weight, 24" cable: 65g
- Export classification: EAR 99
- RADIO, AUX, or BATT port

HOW TO ORDER

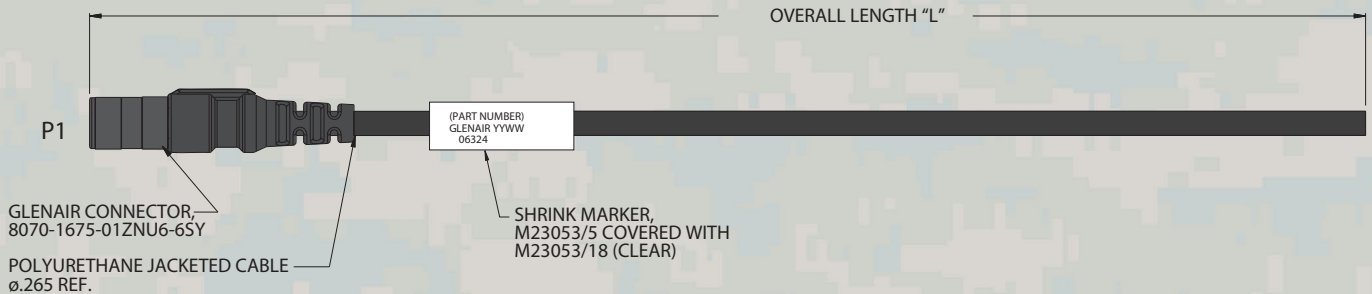
Sample Part Number:	808-130	-18
Cable Series	STAR-PAN flying lead assembly, RADIO, AUX, or BATT port	
Length Designator	In inches Omit for default length of 24.00"	



QUALIFIED FOR USE WITH
ALL STAR-PAN POWER / DATA HUBS:
LIGHT, I, II, IV, AND VI

HUB PORT DESIGNATOR:

**RADIO
AUX
BATT**



BATTLE-TESTED

STAR-PAN™

Radio cables and adapters



STAR-PAN RADIO CABLES AND ADAPTERS

Part No.	NATO Stock No. NSN	Description	Page No.
808-087		AN/PRC-117F Radio Cable (PAN Port)	49
808-035	5995-01-668-8687	AN/PRC-117G Radio Cable	50
808-088	5995-01-692-0106	AN/PRC-117G Radio Cable (PAN Port)	51
808-039		AN/PRC-148 JEM Radio Adapter	52
TS8-515		AN/PRC-148 Sync Serial Adapter	53
TS8-431		AN/PRC-152A Radio Adapter	54
808-032	5995-01-668-8863	AN/PRC-152A Radio Adapter	55
TS8-513		AN/PRC-152A Radio Side Connector	56
TS8-410		AN/PRC 152 / 152A Sync Serial Adapter	57
TS8-508		AN/PRC-161 BATS-D Radio Adapter	58
TS8-509		AN/PRC-161 BATS-D Radio Adapter, PAN port	59
808-166		AN/PRC-161 BATS-D Radio Adapter	60
TS8-409		AN/PRC-161 Radio Ethernet Adapter	61
TS8-457		AN/PRC-163 Radio Battery Adapter, Red I/O	62
TS8-458		AN/PRC-163 Radio Battery Adapter, Black I/O	63
TS8-495		AN/PRC-163 Radio Adapter, with Red/Black Switch (PAN port)	64
TS8-411		AN/PRC-167 Multi-Function I/O (MFI) Cable	65
808-132		Elbit PNR 1000 Radio Adapter	66
TS8-470		Elbit PNR 1000 Radio Adapter	67
TS8-446	5995-01-691-2527	Harris RF-7850S-TR Radio Cable with Mighty Mouse Plug	68
808-257	5995-01-683-8677	Harris RF-7800S Radio Cable	69
808-148		Harris RF-7800S Radio Cable (Radio Host)	70
TS8-466		Harris RF-7800S-TR Radio Cable, PAN Port Connection	71
TS8-426		Harris RF-7850M Sync Serial Adapter	72
808-044		Raytheon RT-1922 Microlight SADL Radio Cable	73
TS3-009		Thales PR4G Radio Ethernet Cable	74
TS3-016		TrellisWare TSM Shadow Radio Adapter	75
TS8-486		TS-950 Radio Power Booster	76
TS1-094		Right-Angle Cable for use with TS8-486	77
TS1-003		Silvus SC4200 Radio Data Cable, AUX port	78
TS8-539		MPU5 Ethernet Cable	79
TS8-544		MPU5 Ethernet Cable with Radio Power Boost Option	80

BATTLE-TESTED

STAR-PAN™

Radio cables and adapters

808-087 AN/PRC-117F PAN Port Radio Cable



RADIO CABLES AND ADAPTERS



**AN/PRC-117F,
AN/PRC-150, RF-5800H,
RF-7800H-MP Radio Cable**

SPECIFICATIONS

- For interconnection of referenced radio types to STAR-PAN power / data hubs
- Synchronous Serial Interface (SSI) Data Downlink Adapter Cable
- Santoprene jacketed cable, black
- Ergonomic overmolding
- Mighty Mouse 807 (NATO standard) connector and PRC 117F connector
- Weight, 36" cable: (consult factory)
- Export classification: ECCN 3A611.x
- PAN port connection

HOW TO ORDER

Sample Part Number:	808-087	R	-32
Cable Series	AN/PRC / RF Radio Data Adapter Cable		
Data Connector Angle	R = Right angle data connector Omit = standard straight data connector		
Length Designator	In inches Omit for default length of 36.00"		

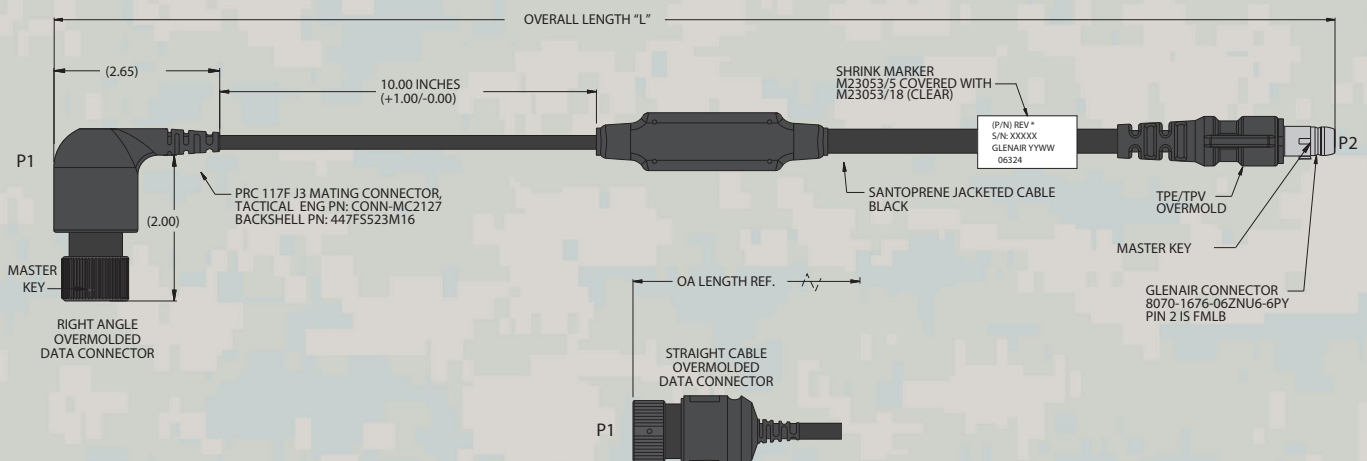


QUALIFIED FOR USE WITH ALL STAR-PAN POWER / DATA HUBS

LIGHT, II, IV, AND VI

HUB PORT DESIGNATOR:

PAN



BATTLE-TESTED

STAR-PAN™

Radio cables and adapters

808-035 AN/PRC-117G Radio Cable



RADIO CABLES AND ADAPTERS



AN/PRC-117G, AN/PRC-160
RF-7800M-MP,
RF7800H-MP
Radio Cable

SPECIFICATIONS

- For interconnection of referenced man-pack radio type to STAR-PAN power / data hubs
- Nomex® braided wire protection, olive drab. Consult factory for other cable finish options
- Overmolded, ergonomic connector strain reliefs, desert tan
- Mighty Mouse 807 (NATO standard) connector and J4 Radio connector
- Weight, 32" cable: 90g
- Export classification: ECCN 3A611.x

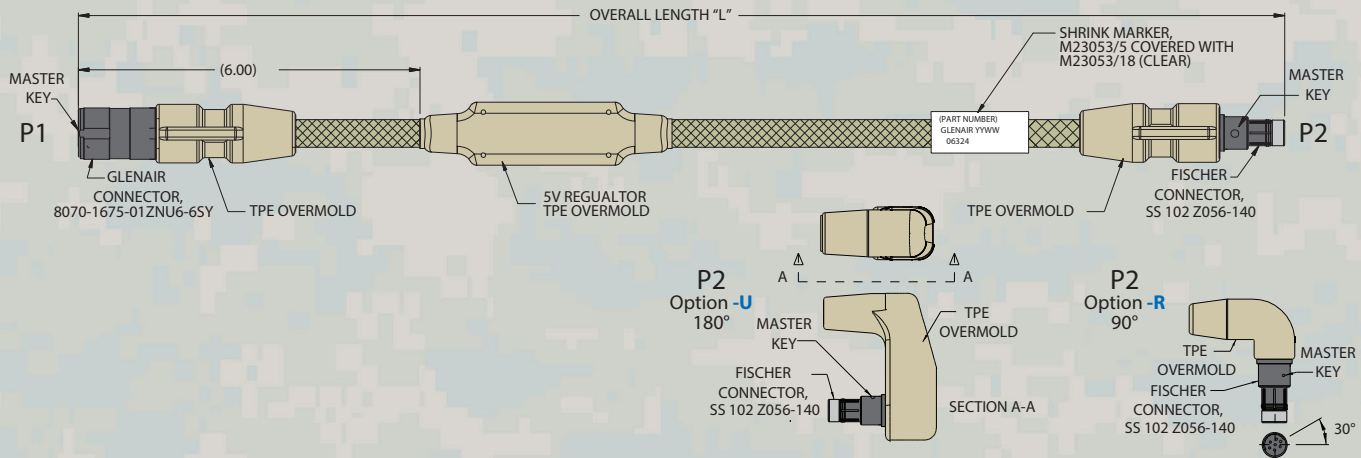
HOW TO ORDER

Sample Part Number:	808-035	-24
Cable Series	AN/PRC-117G Radio Adapter Cable	
P2 Angle Option	-R = Right Angle -U = 180° Omit for straight (default)	
Length Designator	In inches (6.00" min.) Omit for default length of 32.00"	



QUALIFIED FOR USE WITH ALL STAR-PAN POWER / DATA HUBS
LIGHT, II, IV, AND VI

HUB PORT DESIGNATOR:
RADIO



BATTLE-TESTED

STAR-PAN™

Radio cables and adapters

808-088 AN/PRC-117G PAN Port Radio Cable



RADIO CABLES AND ADAPTERS



AN/PRC-117G, AN/PRC-160
RF-7800M-MP,
RF7800H-MP
Radio Cable

SPECIFICATIONS

- For interconnection of referenced man-pack radio type to STAR-PAN power / data hubs
- Nomex® braided wire protection, olive drab. Consult factory for other cable finish options
- Overmolded, ergonomic connector strain reliefs, desert tan
- Mighty Mouse 807 (NATO standard) connector and J4 Radio connector.
- Weight, 32" cable: 90g
- Export classification: ECCN 3A611.x
- PAN Port connection

HOW TO ORDER

Sample Part Number:	808-088	-36
Cable Series	AN/PRC-117G / RF7800 Radio Adapter Cable	
P2 Angle Option	-R = Right Angle -U = 180° Omit for straight (default)	
Length Designator	In inches (6.00" min.) Omit for default length of 32.00"	

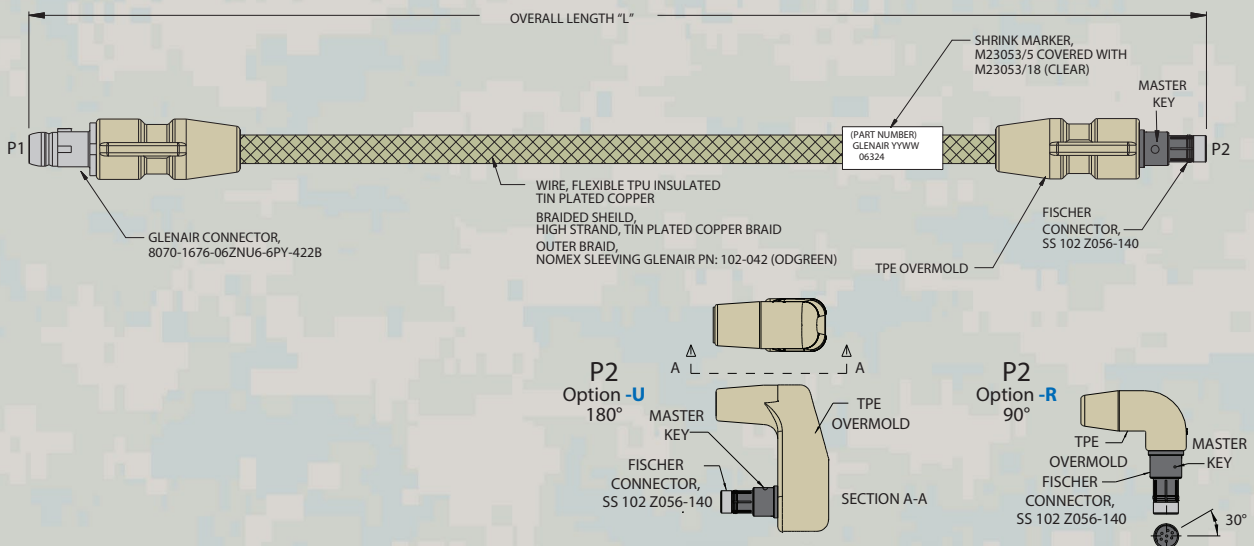


QUALIFIED FOR USE WITH ALL STAR-PAN POWER / DATA HUBS

LIGHT, II, IV, AND VI

HUB PORT DESIGNATOR:

PAN



BATTLE-TESTED

STAR-PAN™

Radio cables and adapters

808-039 AN/PRC-148 JEM Radio Adapter



RADIO CABLES AND ADAPTERS



**AN/PRC-148 JEM
Radio Adapter**

SPECIFICATIONS

- For interconnection of referenced hand-held radio type to STAR-PAN power / data hubs
- Nomex® braided wire protection, olive drab. Consult factory for other cable finish options
- Overmolded, ergonomic connector strain reliefs, desert tan
- Black zinc-nickel stainless steel thumbscrew
- Mighty Mouse 807 (NATO standard) connectors
- Weight, 24" cable: 122g
- Export classification: ECCN 3A611.x

HOW TO ORDER

Sample Part Number:	808-039	-24
Adapter Series	AN/PRC-148 Radio Adapter Cable	
Length Designator	In inches (6.00" min.) Omit for default length of 20.00"	

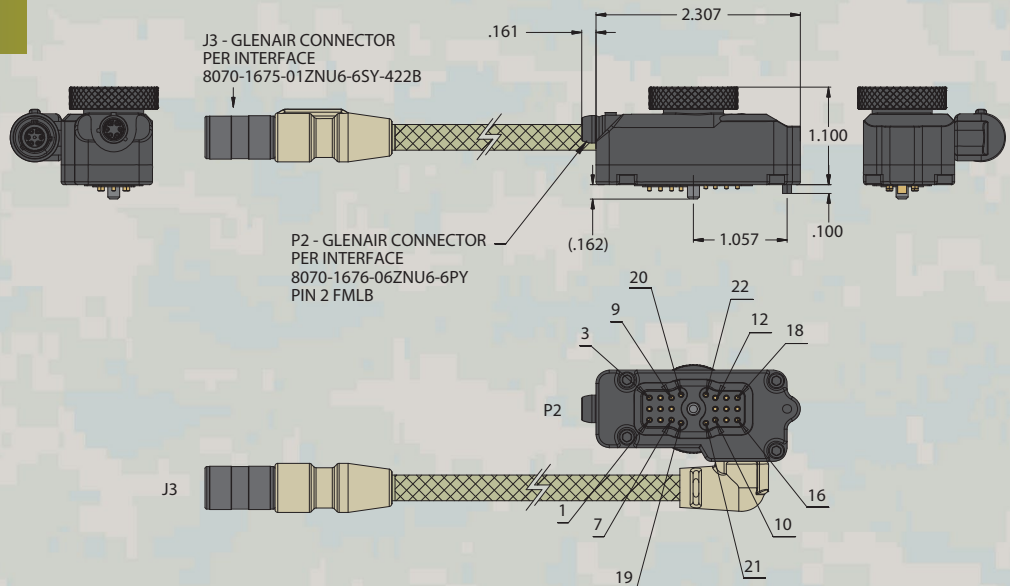
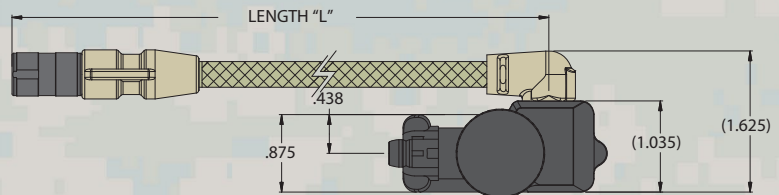


QUALIFIED FOR USE WITH ALL STAR-PAN POWER / DATA HUBS

LIGHT, II, IV, AND VI

HUB PORT DESIGNATOR:
RADIO

RADIO POWER BOOST



BATTLE-TESTED

STAR-PAN™

Radio cables and adapters

TS8-515 AN/PRC-148 Sync Serial Adapter



RADIO CABLES AND ADAPTERS

SPECIFICATIONS

- For interconnection of referenced hand-held radio type to STAR-PAN power / data hubs
- Integrated Audio to Data radio switch
- Aluminum housing, black zinc-nickel finish
- Black stainless steel thumbscrew
- Mighty Mouse 807 (NATO standard) connectors
- Weight 91g
- Export classification: ECCN 3A611.x

HOW TO ORDER

Sample Part Number:

TS8-515

Adapter Series

AN/PRC-148 Sync Serial Adapter



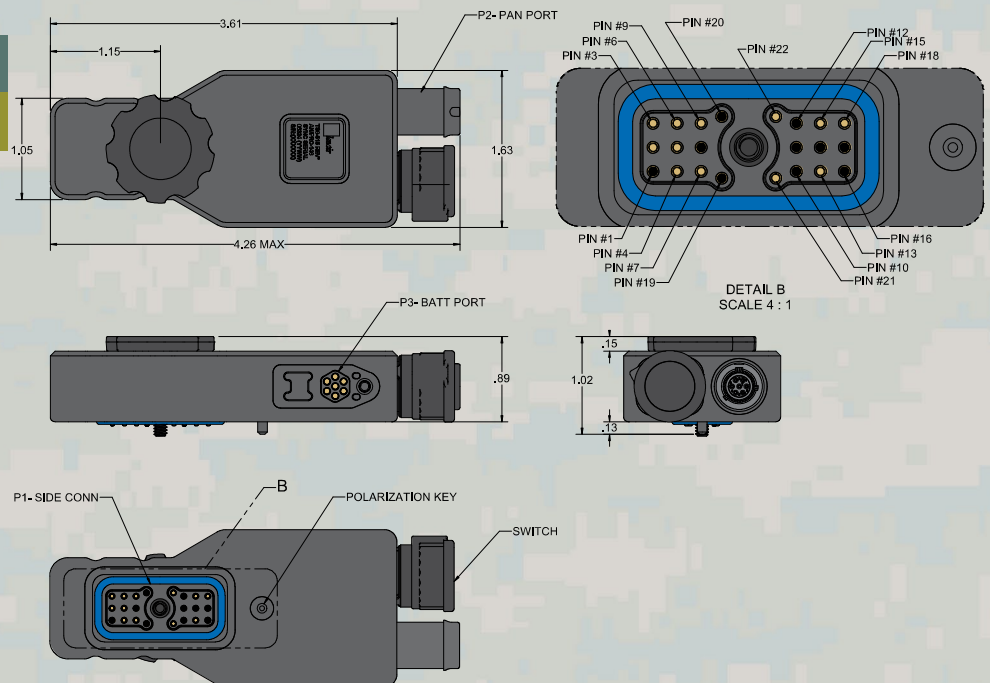
QUALIFIED FOR USE WITH ALL STAR-PAN POWER / DATA HUBS

LIGHT, II, IV, AND VI

HUB PORT DESIGNATOR:

RADIO

RADIO POWER BOOST



BATTLE-TESTED

STAR-PAN™

Radio cables and adapters

TS8-431 AN/PRC-152A Radio Adapter



RADIO CABLES AND ADAPTERS



**AN/PRC-152A
Radio Adapter**

SPECIFICATIONS

- For interconnection of referenced hand-held radio type to STAR-PAN power / data hubs
- Black zinc-nickel finish
- Weight: (consult factory)
- Mighty Mouse 807 (NATO standard) connectors
- Export classification: ECCN 3A611.x

HOW TO ORDER

Sample Part Number:

TS8-431

Adapter Series

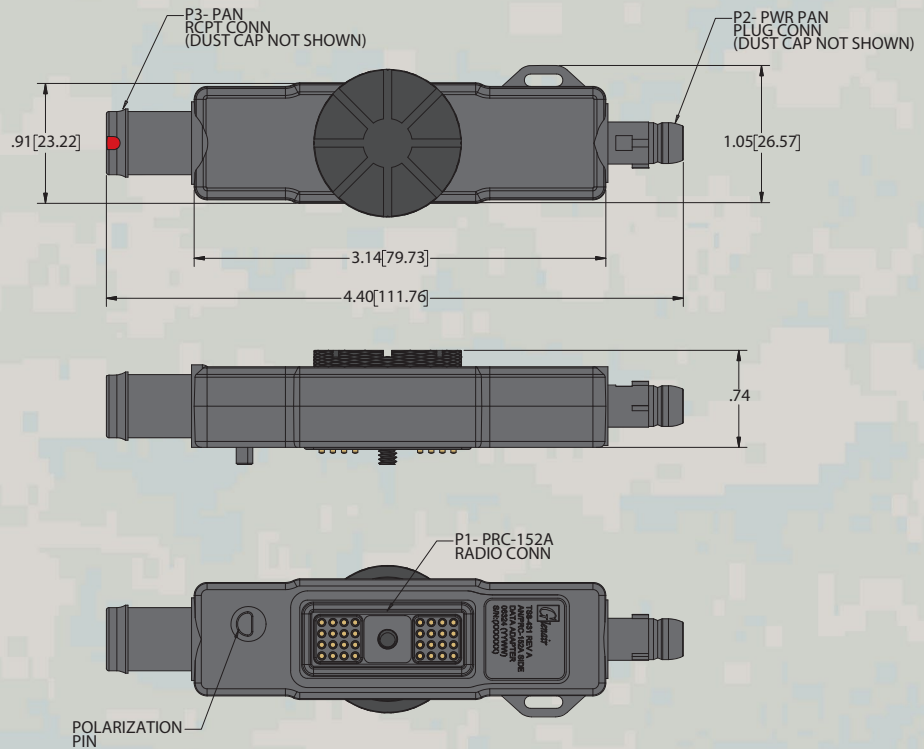
AN/PRC-152A Radio Adapter Cable



QUALIFIED FOR USE WITH ALL STAR-PAN POWER / DATA HUBS
LIGHT, II, IV, AND VI

HUB PORT DESIGNATOR:
RADIO

RADIO POWER BOOST



BATTLE-TESTED

STAR-PAN™

Radio cables and adapters

808-032 AN/PRC-152A Radio Adapter



RADIO CABLES AND ADAPTERS



**AN/PRC-152A
Radio Adapter**

SPECIFICATIONS

- For interconnection of referenced hand-held radio type to STAR-PAN power / data hubs
- Nomex® braided wire protection, olive drab. Consult factory for other cable finish options
- Overmolded, ergonomic connector strain reliefs, desert tan
- Black zinc-nickel stainless steel thumbscrew
- Mighty Mouse 807 (NATO standard) connectors
- Weight, 24" cable: 116g
- Export classification: ECCN 3A611.x

HOW TO ORDER

Sample Part Number:	808-032	-28
Adapter Series	AN/PRC-152A Radio Adapter Cable	
Length Designator	In inches (6.00" min.) Omit for default length of 24.00"	



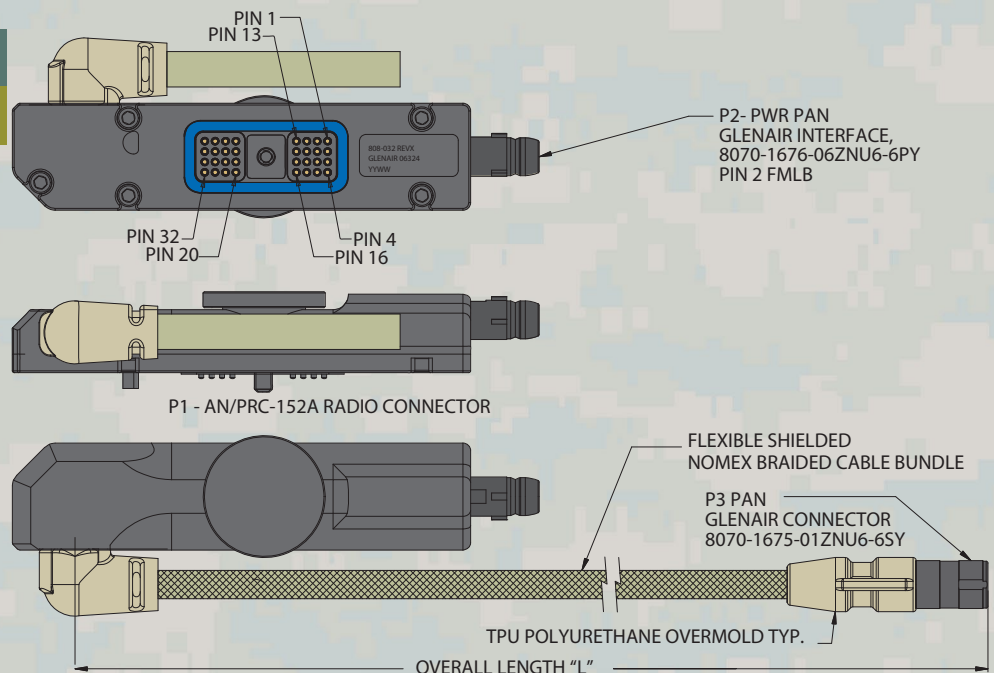
QUALIFIED FOR USE WITH ALL STAR-PAN POWER / DATA HUBS

LIGHT, II, IV, AND VI

HUB PORT DESIGNATOR:

RADIO

RADIO POWER BOOST



BATTLE-TESTED

STAR-PAN™

Radio cables and adapters

TS8-513 AN/PRC-152A Radio Side Connector



RADIO CABLES AND ADAPTERS



**AN/PRC-152A
Radio Adapter**

SPECIFICATIONS

- For interconnection of referenced hand-held radio type to STAR-PAN power / data hubs
- Aluminum, black zinc-nickel finish
- Black zinc-nickel stainless steel thumbscrew
- Mighty Mouse 807 (NATO standard) connector
- Export classification: ECCN 3A611.x

HOW TO ORDER

Sample Part Number:

TS8-513

Adapter Series

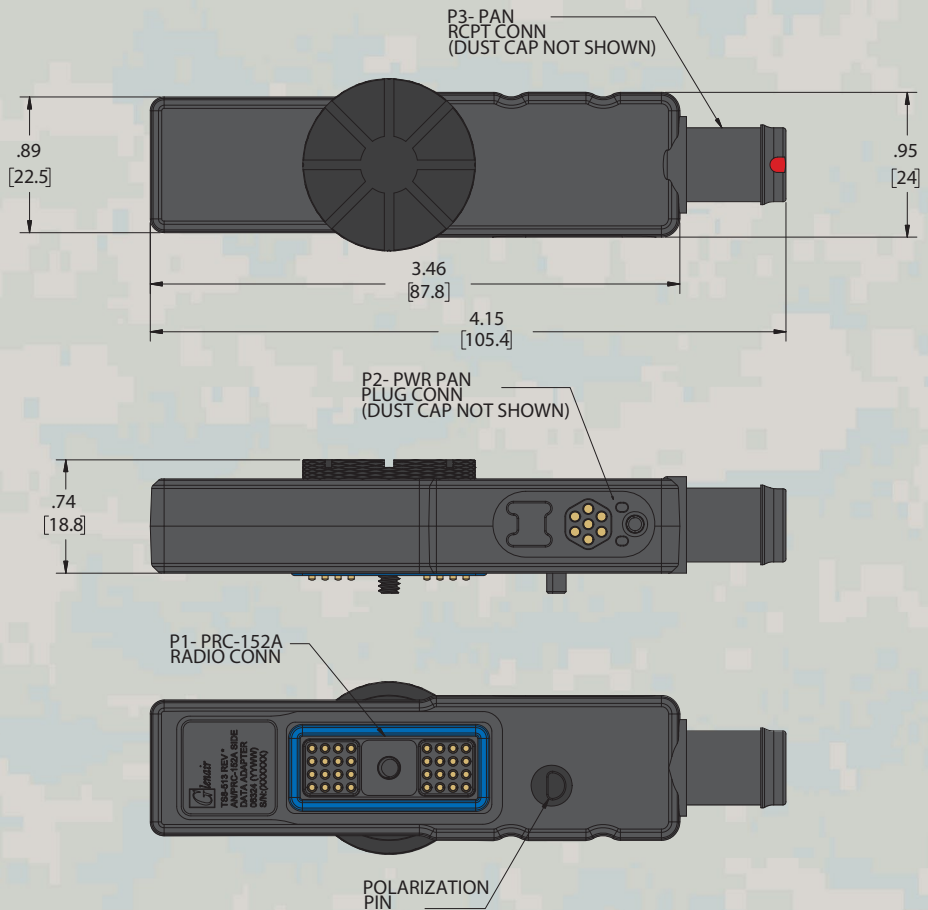
AN/PRC-152A Radio Side Connector



QUALIFIED FOR USE WITH ALL STAR-PAN POWER / DATA HUBS
LIGHT, II, IV, AND VI

HUB PORT DESIGNATOR:
RADIO

RADIO POWER BOOST



BATTLE-TESTED

STAR-PAN™

Radio cables and adapters

TS8-410 AN/PRC 152/152A Sync Serial Adapter



RADIO CABLES AND ADAPTERS



**AN/PRC-152/152A
Sync Serial Adapter**

SPECIFICATIONS

- For interconnection of referenced hand-held radio type to STAR-PAN power / data hubs
- Aluminum housing, black zinc-nickel finish
- Black stainless steel thumbscrew
- Mighty Mouse 807 (NATO standard) connectors
- Weight 91g
- Export classification: ECCN 3A611.x
- Adapter Cable 808-047 sold separately

HOW TO ORDER

Sample Part Number:

TS8-410

Adapter Series

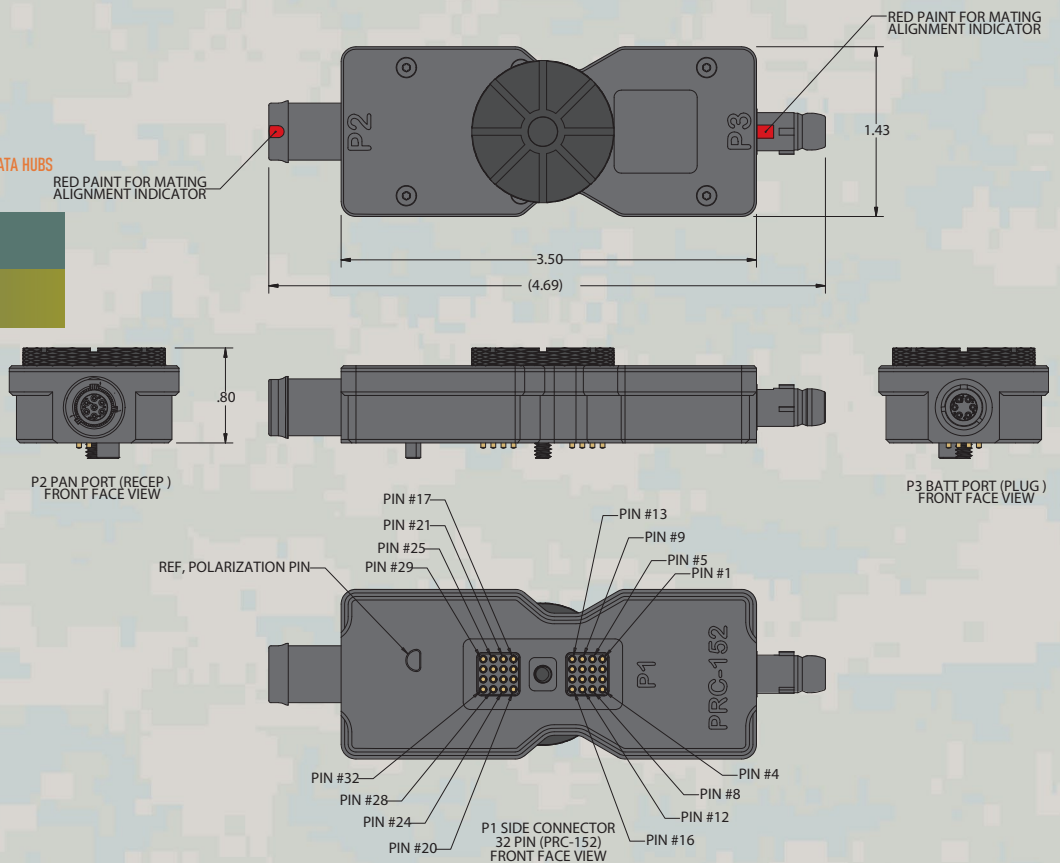
AN/PRC-152/152A Sync Serial Adapter



QUALIFIED FOR USE WITH ALL STAR-PAN POWER / DATA HUBS
LIGHT, II, IV, AND VI

HUB PORT DESIGNATOR:
RADIO

RADIO POWER BOOST



BATTLE-TESTED

STAR-PAN™

Radio cables and adapters

TS8-508 AN/PRC-161 BATS-D Radio Adapter



RADIO CABLES AND ADAPTERS



AN/PRC-161 BATS-D
Radio Adapter

SPECIFICATIONS

- For interconnection of referenced hand-held radio type to STAR-PAN power / data hubs
- Aluminum, black zinc-nickel finish
- Black zinc-nickel stainless steel thumbscrew
- Santoprene jacketed cable, black
- Mighty Mouse 807 (NATO standard) connector
- Export classification: ECCN 3A611.x

HOW TO ORDER

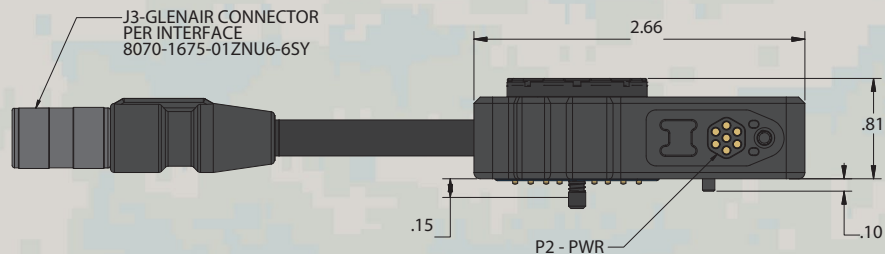
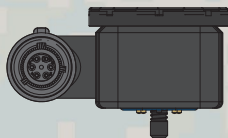
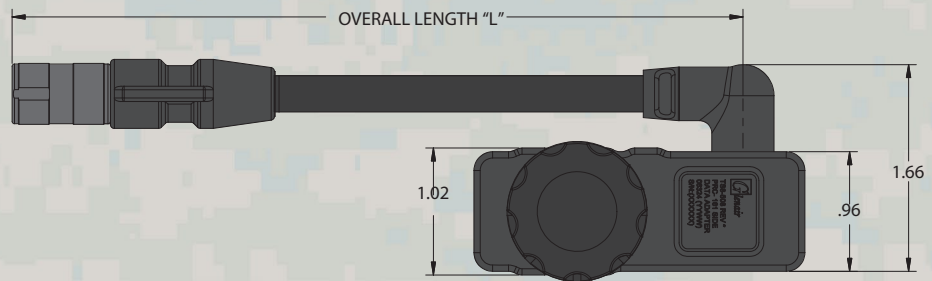
Sample Part Number:	TS8-508
Adapter Series	BATS-D AN/PRC 161 Radio Data Adapter Cable
Length Designator	In inches, 6.00" minimum Omit for default length of 20.00"



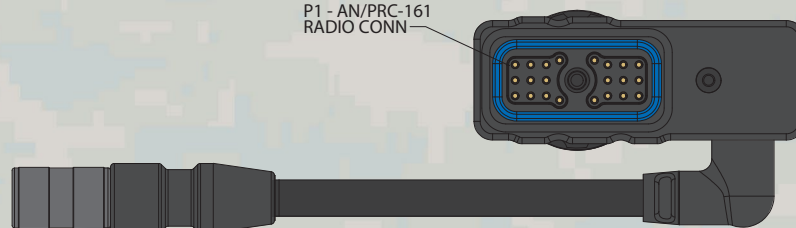
QUALIFIED FOR USE WITH ALL STAR-PAN POWER / DATA HUBS
LIGHT, II, IV, AND VI

HUB PORT DESIGNATOR:
RADIO

RADIO POWER BOOST



P1 - AN/PRC-161
RADIO CONN



BATTLE-TESTED

STAR-PAN™

Radio cables and adapters

TS8-509 AN/PRC-161 BATS-D Radio Adapter, PAN port



**AN/PRC-161 BATS-D
Radio Adapter**

SPECIFICATIONS

- For interconnection of referenced hand-held radio type to STAR-PAN power / data hubs
- Aluminum, black zinc-nickel finish
- Black zinc-nickel stainless steel thumbscrew
- Santoprene jacketed cable, black
- Mighty Mouse 807 (NATO standard) connector
- Export classification: ECCN 3A611.x

HOW TO ORDER

Sample Part Number:	TS8-509
Adapter Series	BATS-D AN/PRC 161 Radio Data Adapter Cable
Length Designator	In inches, 6.00" minimum Omit for default length of 20.00"

RADIO CABLES AND ADAPTERS



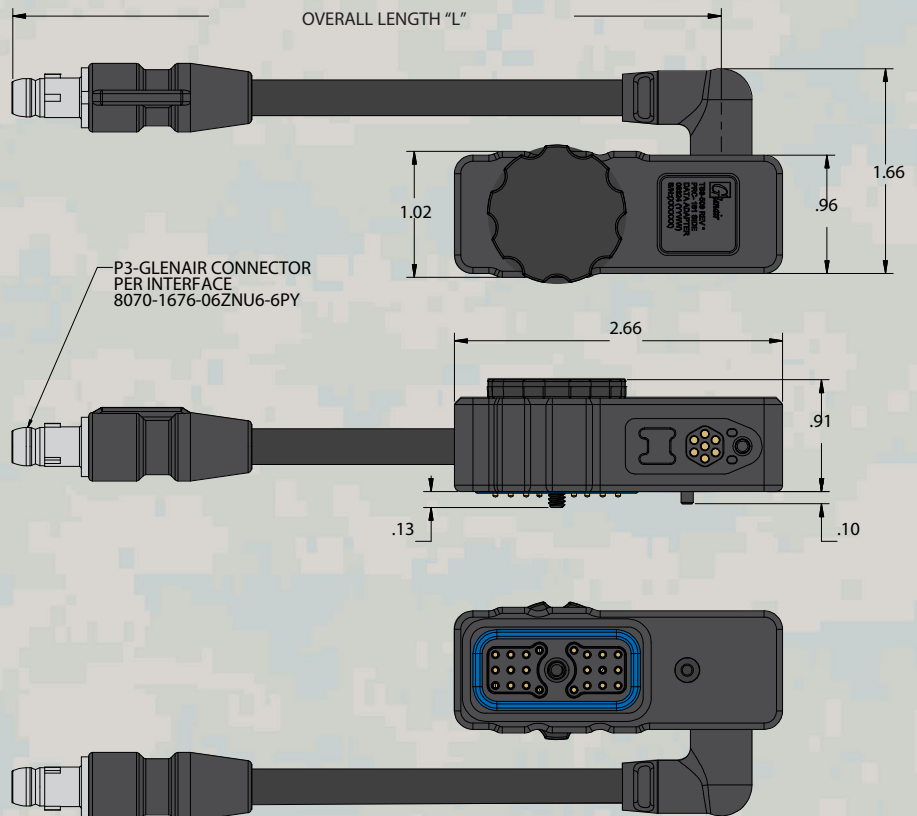
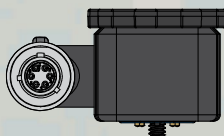
QUALIFIED FOR USE WITH ALL STAR-PAN POWER / DATA HUBS

LIGHT, II, IV, AND VI

HUB PORT DESIGNATOR:

PAN

RADIO POWER BOOST



BATTLE-TESTED

STAR-PAN™

Radio cables and adapters

808-166 AN/PRC-161 BATS-D Radio Adapter



RADIO CABLES AND ADAPTERS



**AN/PRC-161 BATS-D
Radio Adapter**

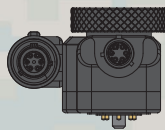


QUALIFIED FOR USE WITH ALL STAR-PAN POWER / DATA HUBS

LIGHT, II, IV, AND VI

HUB PORT DESIGNATOR:
RADIO

RADIO POWER BOOST

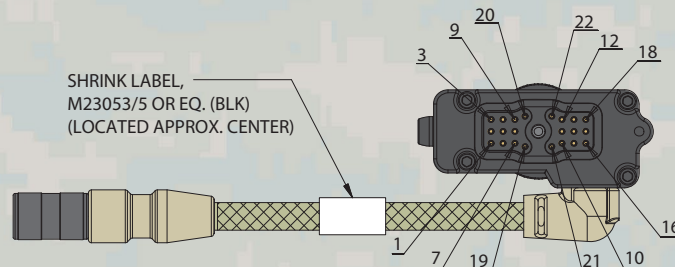
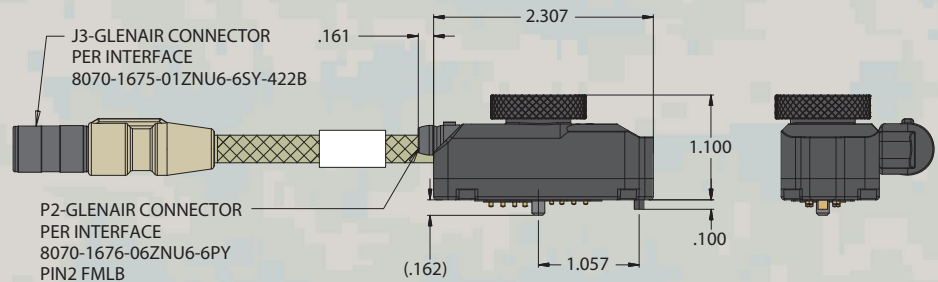
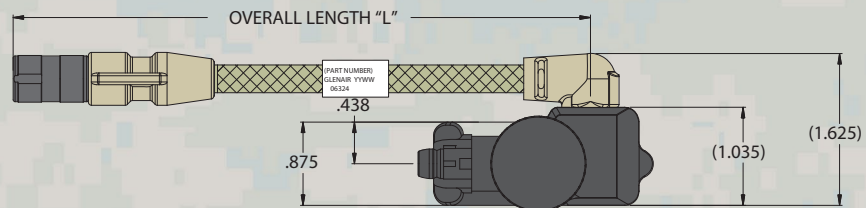


SPECIFICATIONS

- For interconnection of referenced hand-held radio type to STAR-PAN power / data hubs
- Nomex® braided wire protection, olive drab. Consult factory for other cable finish options
- Overmolded, ergonomic connector strain reliefs, desert tan.
- Aluminum housing, black zinc-nickel finish
- Black stainless steel thumbscrew
- Mighty Mouse 807 (NATO standard) connectors.
- Weight, 20" cable: 122g
- Export classification: ECCN 3A611.x

HOW TO ORDER

Sample Part Number:	808-166	-24
Cable Series	BATS-D AN/PRC 161 Radio Data Adapter Cable	
Length Designator	In inches, 6.00" minimum Omit for default length of 20.00"	



BATTLE-TESTED

STAR-PAN™

Radio cables and adapters

TS8-409 AN/PRC-161 PAN Port Radio Ethernet Adapter



RADIO CABLES AND ADAPTERS



**AN/PRC-161
Radio Ethernet Adapter**



QUALIFIED FOR USE WITH ALL STAR-PAN POWER / DATA HUBS

LIGHT, II, IV, AND VI

HUB PORT DESIGNATOR:

PAN

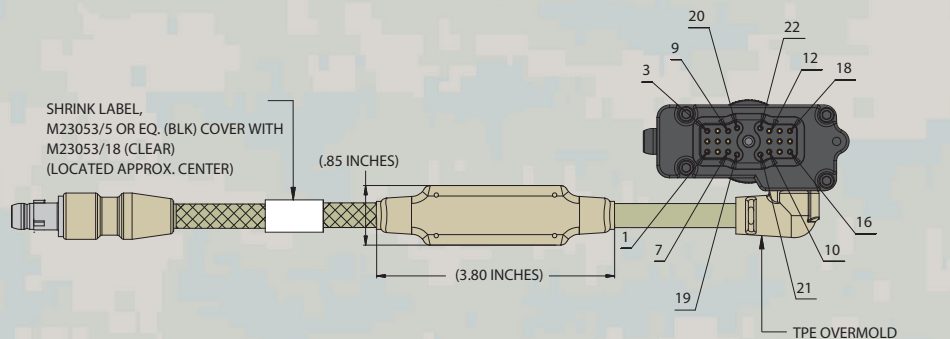
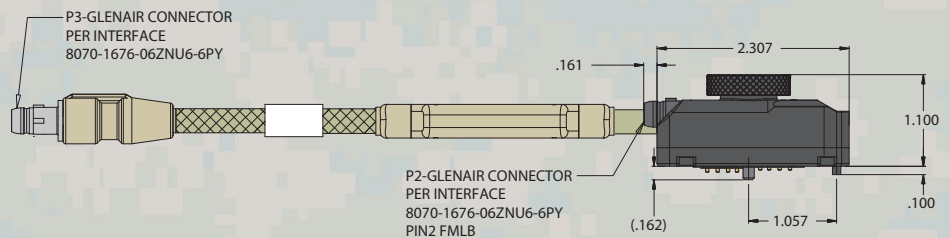
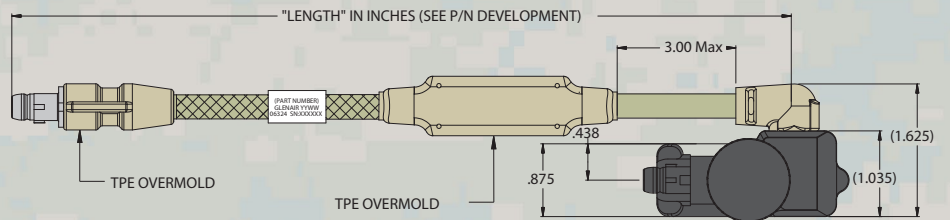
RADIO POWER BOOST

SPECIFICATIONS

- For interconnection of referenced hand-held radio type to STAR-PAN power / data hubs
- Nomex® braided wire protection, olive drab. Consult factory for other cable finish options
- Overmolded, ergonomic connector strain reliefs, desert tan.
- Aluminum housing, black zinc-nickel finish
- Black stainless steel thumbscrew
- Mighty Mouse 807 (NATO standard) connectors.
- Weight, 32" cable: (consult factory)
- Export classification: ECCN 3A611.x

HOW TO ORDER

Sample Part Number:	TS8-409	-24
Adapter Series	BATS-D AN/PRC 161 Radio Data Adapter Cable	
Length Designator	In inches, 10.00" minimum Omit for default length of 32.00"	



BATTLE-TESTED

STAR-PAN™

Radio cables and adapters

TS8-457 AN/PRC-163 Radio Battery Adapter, Red I/O



RADIO CABLES AND ADAPTERS



AN/PRC-163
Radio Adapter, Red I/O

SPECIFICATIONS

- For interconnection of referenced hand-held radio type to STAR-PAN power / data hubs
- Black stainless steel thumbscrew
- Mighty Mouse 807 (NATO standard) connectors
- Weight: (consult factory)
- Red I/O connection
- Export classification: ECCN 3A611.x

HOW TO ORDER

Sample Part Number:

TS8-457

Adapter Series

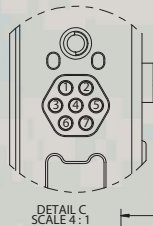
AN/PRC-163 Radio Adapter, red I/O

STAR-PAN™

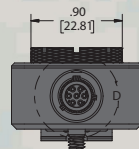
QUALIFIED FOR USE WITH ALL STAR-PAN POWER / DATA HUBS
LIGHT, II, IV, AND VI

HUB PORT DESIGNATOR:
RADIO

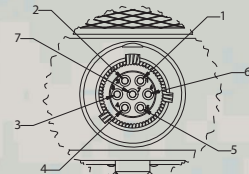
RADIO POWER BOOST



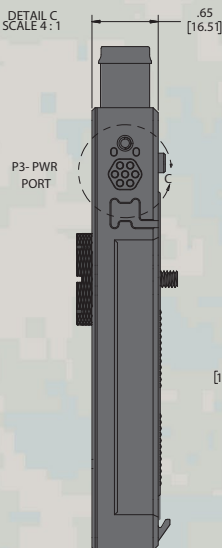
DETAIL C
SCALE 4:1



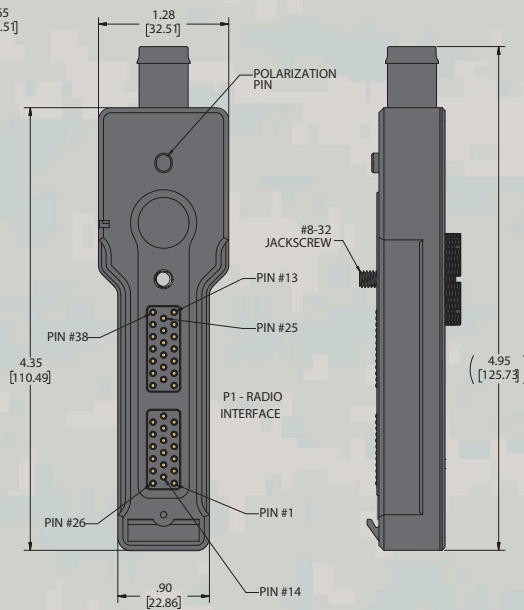
P2 - PAN
PORT



DETAIL D
SCALE 4:1



P3 - PWR
PORT



POLARIZATION
PIN

#8-32
JACKSCREW

PIN #13

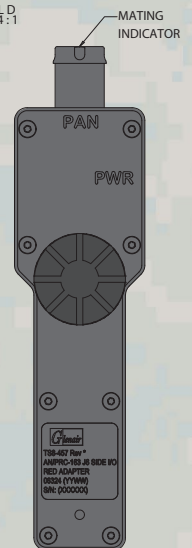
PIN #25

PIN #38

P1 - RADIO
INTERFACE

PIN #1

PIN #14



MATING
INDICATOR

TS8-457 Part #
AN/PRC-163 JB SIDE I/O
RED ADAPTER
GLEN AIRWAY
MFR: 0000000

BATTLE-TESTED

STAR-PAN™

Power cables and battery adapters

TS8-458 AN/PRC-163 Radio Battery Adapter, Black I/O



RADIO CABLES AND ADAPTERS



**AN/PRC-163
Radio Adapter, Black I/O**

SPECIFICATIONS

- For interconnection of referenced hand-held radio type to STAR-PAN power / data hubs
- Black stainless steel thumbscrew
- Mighty Mouse 807 (NATO standard) connectors
- Weight: (consult factory)
- Black I/O connection
- Export classification: ECCN 3A611.x

HOW TO ORDER

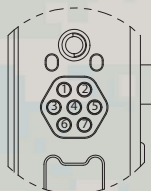
Sample Part Number:	TS8-458
Adapter Series	AN/PRC-163 Radio Adapter, black I/O



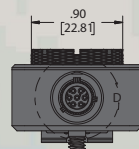
QUALIFIED FOR USE WITH ALL STAR-PAN POWER / DATA HUBS
LIGHT, II, IV, AND VI

HUB PORT DESIGNATOR:
RADIO

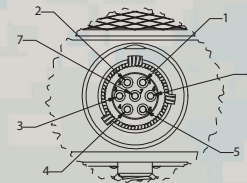
RADIO POWER BOOST



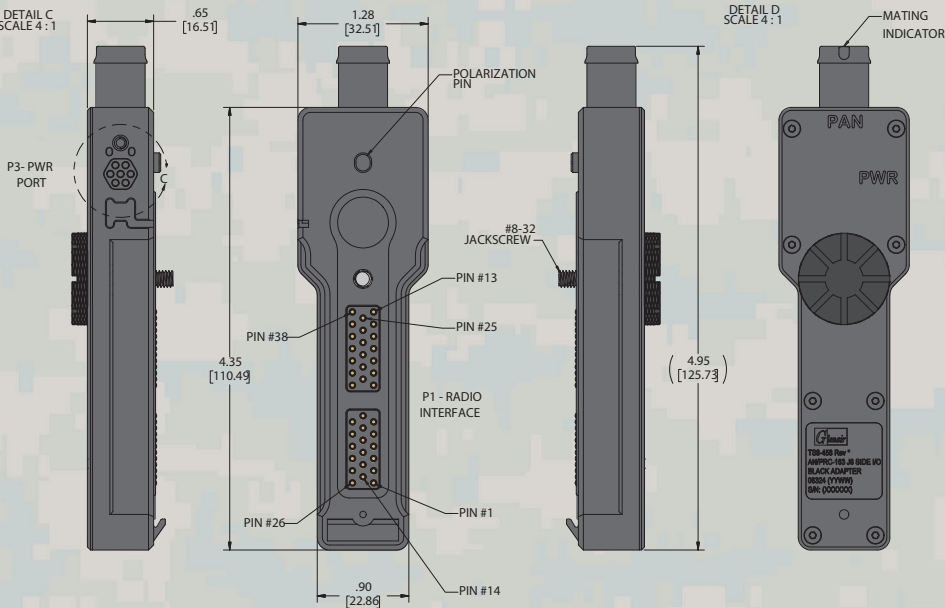
DETAIL C
SCALE 4:1



P2 - PAN
PORT



DETAIL D
SCALE 4:1



BATTLE-TESTED

STAR-PAN™

Radio cables and adapters

TS8-495 AN/PRC-163 Radio Adapter, with Red/Black Switch



RADIO CABLES AND ADAPTERS



AN/PRC-163
Radio Adapter
Red/Black I/O switch

SPECIFICATIONS

- For interconnection of referenced radio type to STAR-PAN power / data hubs
- Mighty Mouse 807 (NATO standard) connectors
- Weight: (consult factory)
- Dual I/O USB selection switch
- Export classification: ECCN 3A611.x

HOW TO ORDER

Sample Part Number:

TS8-495

Adapter Series

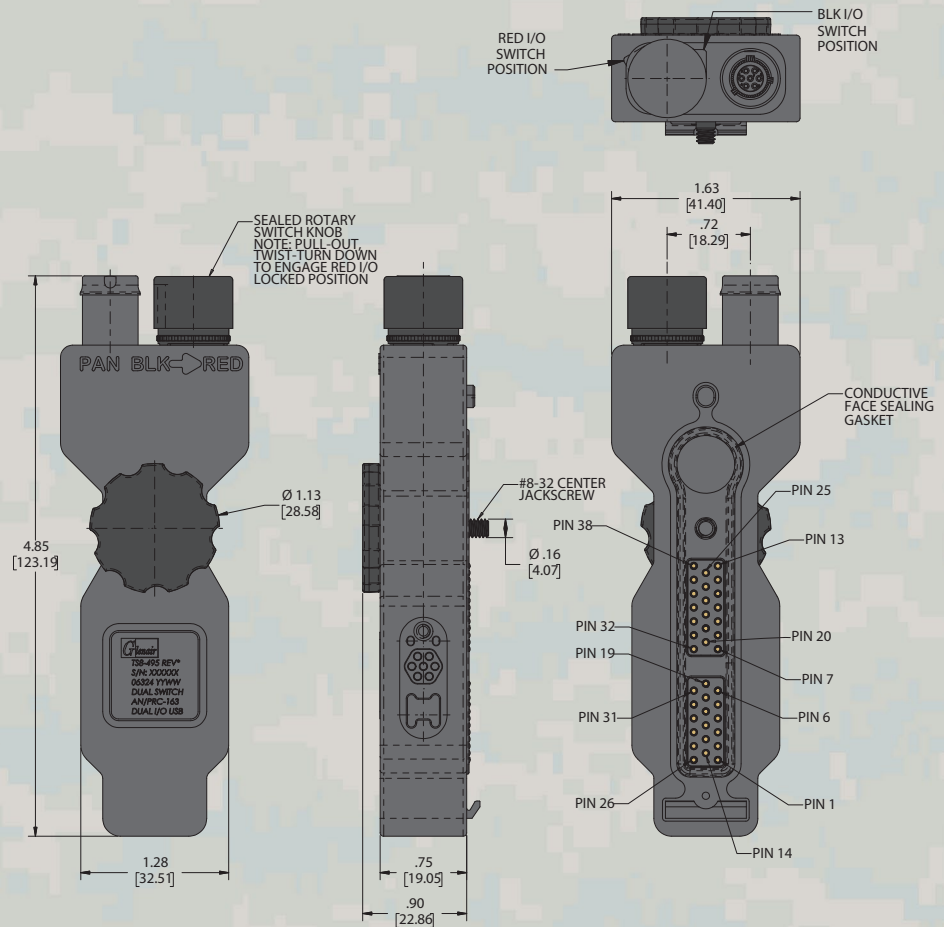
AN/PRC-163 Radio Adapter with red/black switch



QUALIFIED FOR USE WITH ALL STAR-PAN POWER / DATA HUBS

LIGHT, II, IV, AND VI

HUB PORT DESIGNATOR:
RADIO



BATTLE-TESTED

STAR-PAN™

Radio cables and adapters

TS8-411 AN/PRC-167 Multi-Function I/O (MFI) Cable



RADIO CABLES AND ADAPTERS



**AN/PRC-167 Radio
(alt. use with PRC-163)
MFI (Multi-Function I/O)
cable**

SPECIFICATIONS

- For interconnection of referenced radio type to STAR-PAN power / data hubs
- Santoprene jacketed cable, black
- Ergonomic overmolding
- Mighty Mouse 807 (NATO standard) connector and P1 radio connector
- Weight, 18" cable: (consult factory)
- Export classification: ECCN 3A611.x

HOW TO ORDER

Sample Part Number:	TS8-411	-22
Cable Series	AN/PRC-167 MFI cable	
Length Designator	In inches Omit for default length of 18.00"	

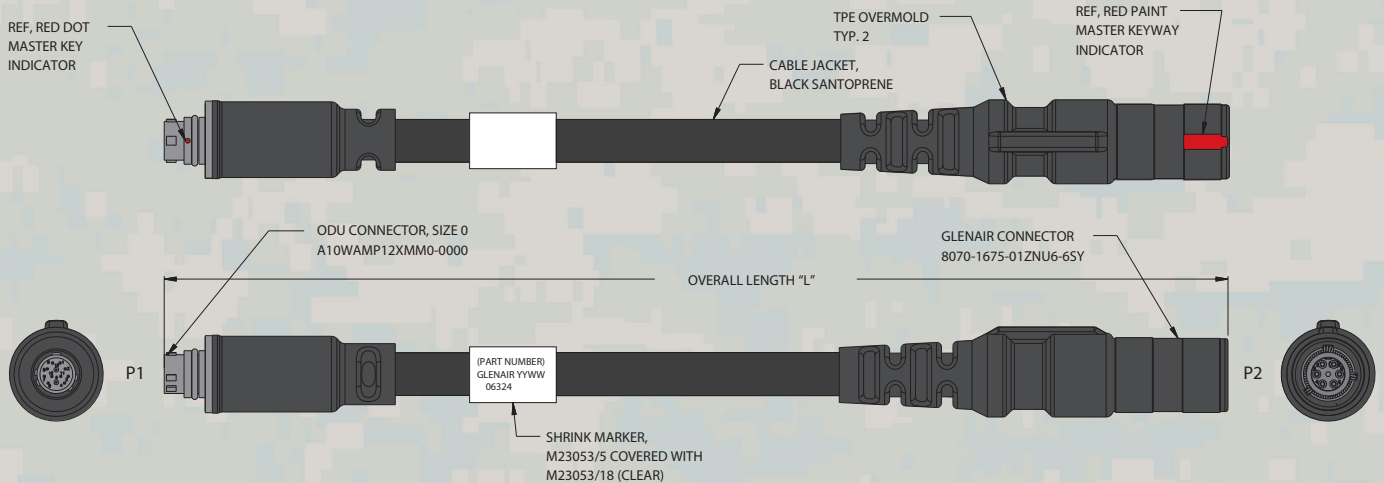


QUALIFIED FOR USE WITH ALL STAR-PAN POWER / DATA HUBS

LIGHT, II, IV, AND VI

HUB PORT DESIGNATOR:

RADIO



BATTLE-TESTED

STAR-PAN™

Radio cables and adapters

808-132 Elbit PNR 1000 Radio Adapter



RADIO CABLES AND ADAPTERS



Elbit PNR 1000 Radio Adapter

SPECIFICATIONS

- For interconnection of referenced hand-held radio type to STAR-PAN power / data hubs
- Santoprene jacketed cable, black
- Ergonomic overmolding
- Glenair environmental heat-shrink boot seals radio connector to cable
- Mighty Mouse 807 (NATO standard) connector.
- Weight, 21" cable: 80g
- Export classification: ECCN 3A611.x

HOW TO ORDER

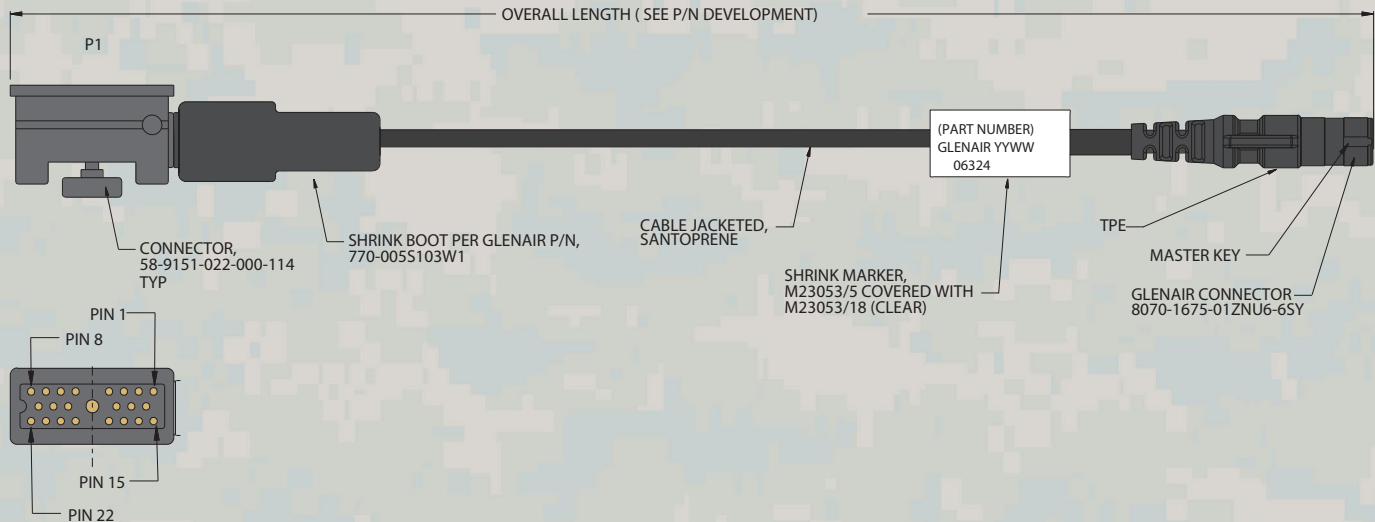
Sample Part Number:	808-132	-24
Cable Series	PNR 1000 Radio Adapter Cable	
Length Designator	In inches Omit for default length of 21.00"	



QUALIFIED FOR USE WITH ALL STAR-PAN POWER / DATA HUBS

LIGHT, II, IV, AND VI

HUB PORT DESIGNATOR:
RADIO



BATTLE-TESTED

STAR-PAN™

Radio cables and adapters

TS8-470 Elbit PNR 1000 Radio Adapter



RADIO CABLES AND ADAPTERS



**Elbit PNR 1000
Radio Adapter**

SPECIFICATIONS

- For interconnection of referenced hand-held radio type to STAR-PAN power / data hubs
- Black zinc-nickel finish
- Weight: (consult factory)
- Mighty Mouse 807 (NATO standard) connector.
- Export classification: ECCN 3A611.x

HOW TO ORDER

Sample Part Number:

TS8-470

Adapter Series

PNR 1000 Radio Adapter Cable



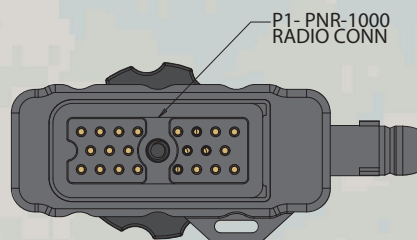
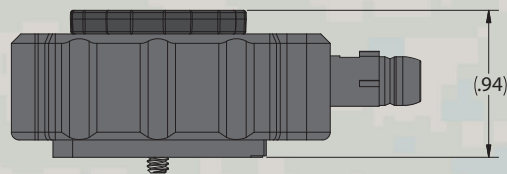
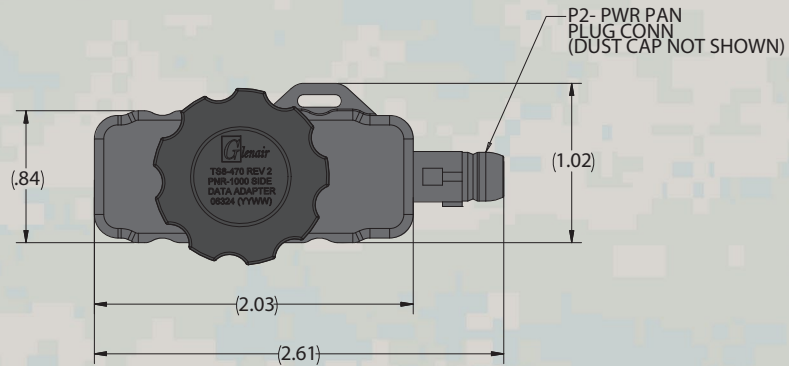
QUALIFIED FOR USE WITH ALL STAR-PAN POWER / DATA HUBS

LIGHT, II, IV, AND VI

HUB PORT DESIGNATOR:

RADIO

RADIO POWER BOOST



BATTLE-TESTED

STAR-PAN™

Radio cables and adapters

TS8-446 Harris RF-7850S-TR Radio Cable



RADIO CABLES AND ADAPTERS



Harris RF-7850S-TR Radio Cable

SPECIFICATIONS

- For interconnection of referenced hand-held radio type to STAR-PAN power / data hubs
- Santoprene jacketed cable, black
- Ergonomic overmolding
- Mighty Mouse 807 (NATO standard) plug connector and J4 Radio connector with backshell
- Weight, 19" cable: 75g
- Export classification: ECCN 3A611.x

HOW TO ORDER

Sample Part Number:	TS8-446	-20
Cable Series	RF-7580S-TR Radio Adapter Cable	
Length Designator	In inches Omit for default length of 19.00"	

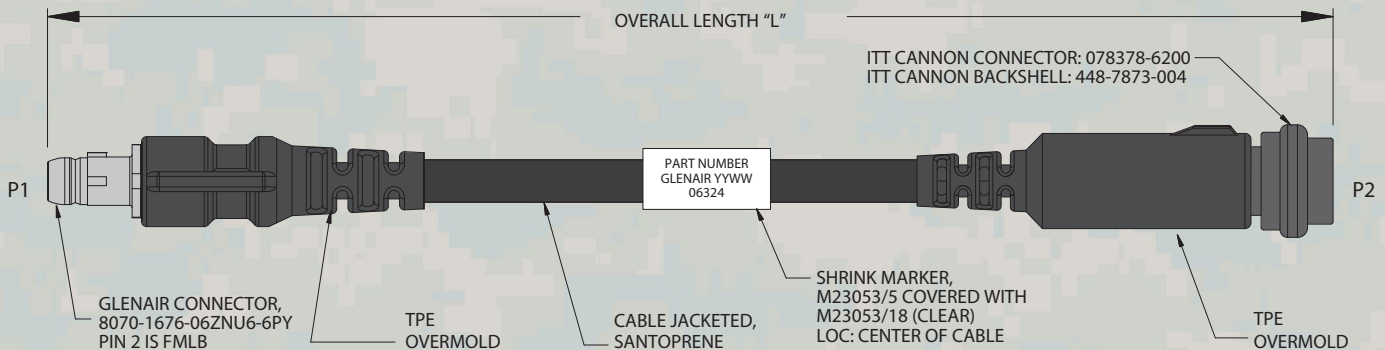


QUALIFIED FOR USE WITH ALL STAR-PAN POWER / DATA HUBS

LIGHT, II, IV, AND VI

HUB PORT DESIGNATOR:

PAN



BATTLE-TESTED

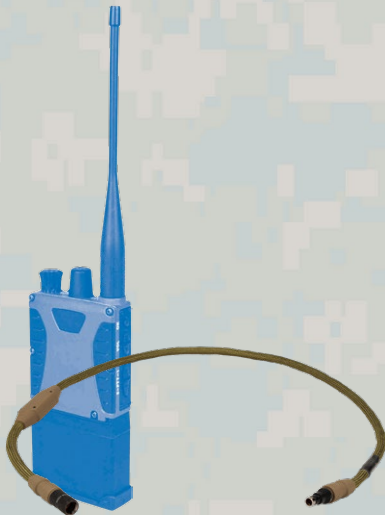
STAR-PAN™

Radio cables and adapters

808-257 Harris RF-7800S Radio Cable



RADIO CABLES AND ADAPTERS



Harris RF-7800S
Radio Cable

SPECIFICATIONS

- For interconnection of referenced hand-held radio type to STAR-PAN power / data hubs
- Nomex® braided wire protection, olive drab. Consult factory for other cable finish options
- Overmolded, ergonomic connector strain reliefs, desert tan
- Mighty Mouse 807 (NATO standard) connector and J4 Radio connector.
- Weight, 32" cable: (consult factory)
- Export classification: ECCN 3A611.x

HOW TO ORDER

Sample Part Number:	808-257	-36
Cable Series	RF7800S Radio Adapter Cable	
Length Designator	In inches Omit for default length of 32.00"	

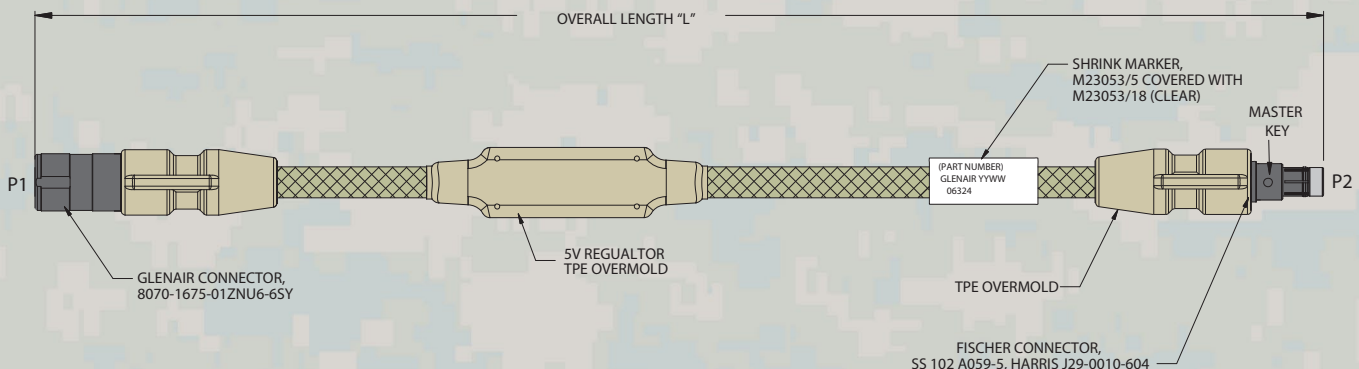


QUALIFIED FOR USE WITH ALL STAR-PAN POWER / DATA HUBS

LIGHT, II, IV, AND VI

HUB PORT DESIGNATOR:

RADIO



BATTLE-TESTED

STAR-PAN™

Radio cables and adapters

808-148 Harris RF-7800S Radio Cable (Radio Host)



RADIO CABLES AND ADAPTERS



**Harris RF-7800S
Radio Cable**

SPECIFICATIONS

- For interconnection of referenced hand-held radio type to End User Device
- Nomex® braided wire protection, olive drab. Consult factory for other cable finish options
- Overmolded, ergonomic connector strain reliefs, desert tan
- Mighty Mouse 807 (NATO standard) connector and J4 Radio connector.
- Weight, 32" cable: 74g
- Export classification: ECCN 3A611.x
- Radio acts as USB host

HOW TO ORDER

Sample Part Number:	808-148	-36
Cable Series	RF7800S Radio Adapter Cable	
Length Designator	In inches Omit for default length of 32.00"	

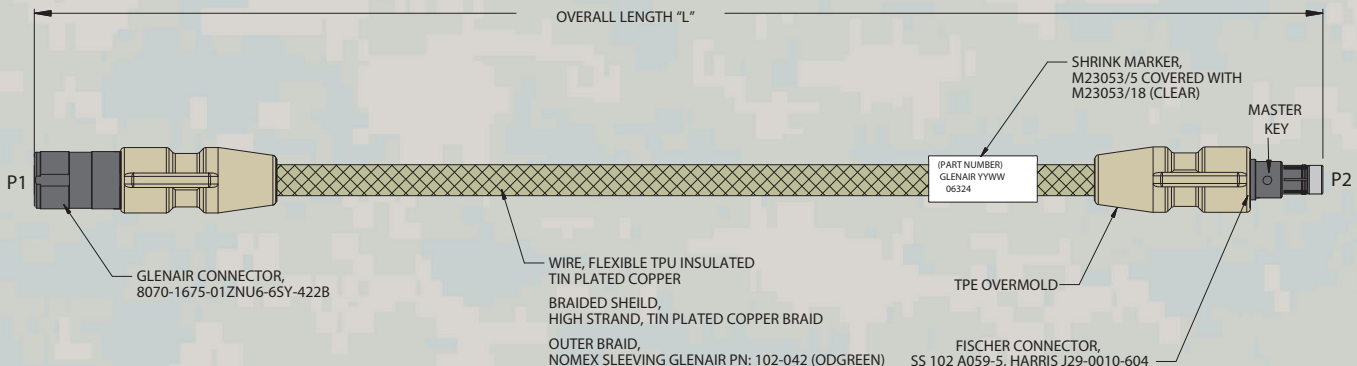


QUALIFIED FOR USE WITH ALL STAR-PAN POWER / DATA HUBS

LIGHT, II, IV, AND VI

HUB PORT DESIGNATOR:

RADIO



BATTLE-TESTED

STAR-PAN™

Radio cables and adapters

TS8-466 Harris RF-7800S-TR Radio Cable, PAN port connection



RADIO CABLES AND ADAPTERS



**Harris RF-7800S
Radio Cable**

SPECIFICATIONS

- For interconnection of referenced hand-held radio type to STAR-PAN power / data hubs
- Nomex® braided wire protection, olive drab.
- Overmolded, ergonomic connector strain reliefs, desert tan
- Mighty Mouse 807 (NATO standard) and J4 Radio connectors
- Weight: (consult factory)
- Export classification: ECCN 3A611.x

HOW TO ORDER

Sample Part Number:	TS8-466	-36
Cable Series	RF7800S-TR Radio Adapter Cable	
Length Designator	In inches Omit for default length of 32.00"	

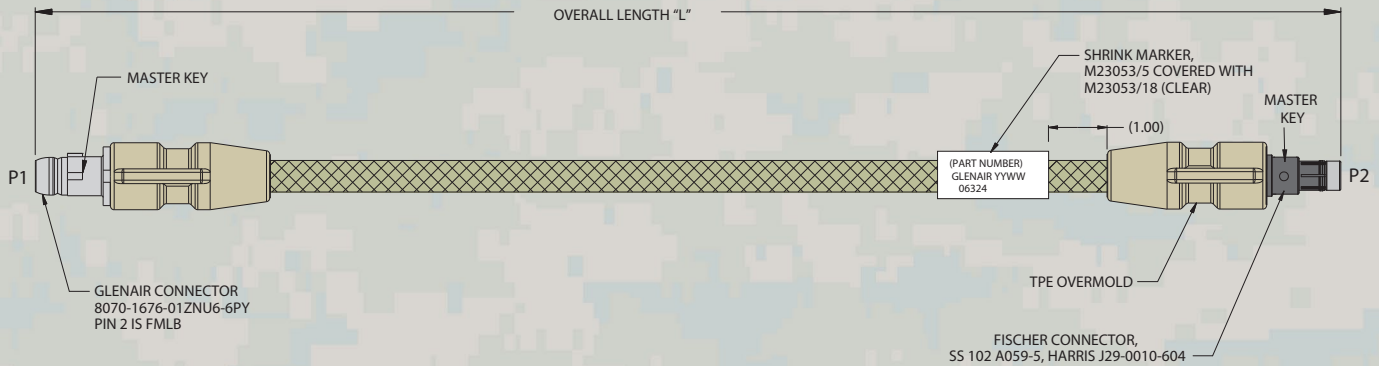


QUALIFIED FOR USE WITH ALL STAR-PAN POWER / DATA HUBS

LIGHT, II, IV, AND VI

HUB PORT DESIGNATOR:

PAN



BATTLE-TESTED

STAR-PAN™

Radio cables and adapters

TS8-426 Harris RF-7850M Sync Serial Adapter



RADIO CABLES AND ADAPTERS



Harris RF-7850M Sync Serial Adapter

SPECIFICATIONS

- For interconnection of referenced hand-held radio type to STAR-PAN power / data hubs
- Aluminum housing, black zinc-nickel finish
- Black stainless steel thumbscrew
- Mighty Mouse 807 (NATO standard) connectors
- Weight 91g
- Export classification: ECCN 3A611.x

HOW TO ORDER

Sample Part Number:

TS8-426

Adapter Series

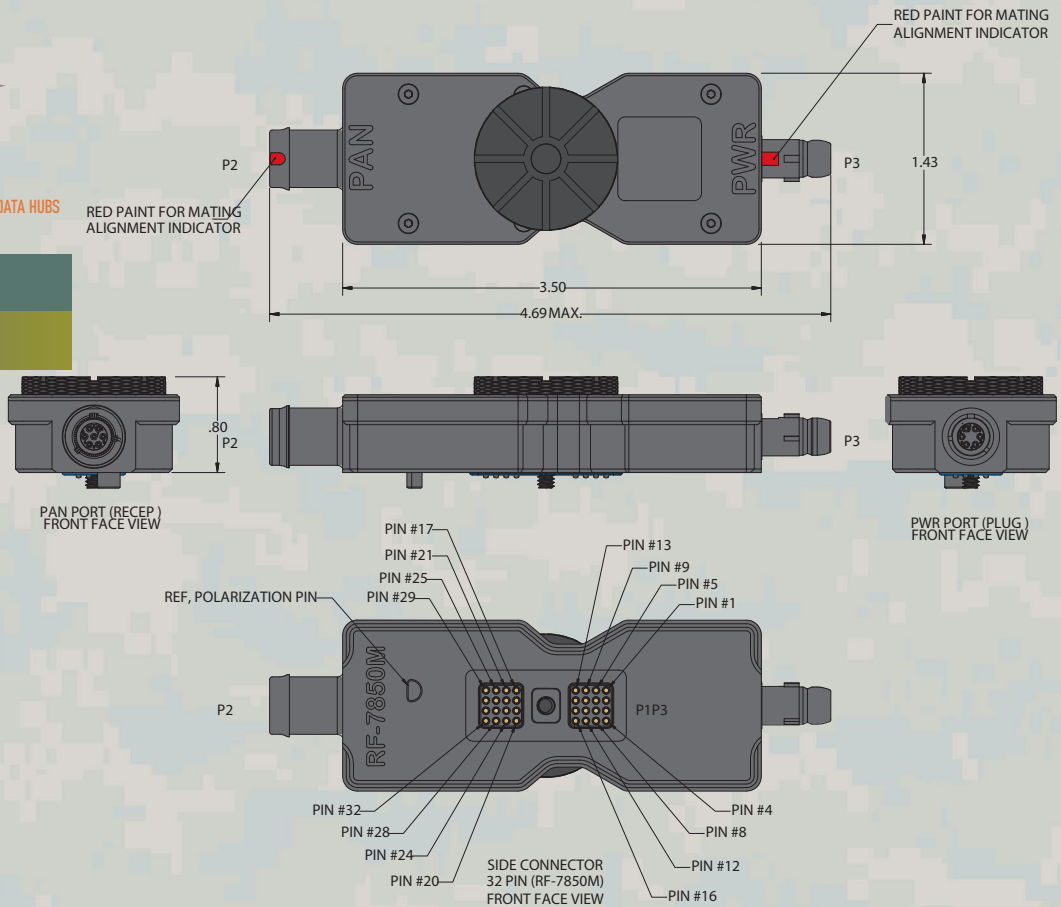
RF-7850M Sync Serial Adapter



QUALIFIED FOR USE WITH ALL STAR-PAN POWER / DATA HUBS
LIGHT, II, IV, AND VI

HUB PORT DESIGNATOR:
RADIO

RADIO POWER BOOST



BATTLE-TESTED

STAR-PAN™

Radio cables and adapters

808-044 Raytheon RT-1922 Microlight SADL Radio Cable



RADIO CABLES AND ADAPTERS



Raytheon RT-1922 Microlight Situational Awareness Data Link (SADL) Radio Cable

SPECIFICATIONS

- For interconnection of referenced hand-held radio type to STAR-PAN power / data hubs
- Nomex® braided wire protection, olive drab. Consult factory for other cable finish options
- Overmolded, ergonomic connector strain reliefs, desert tan
- Mighty Mouse 807 (NATO standard) connectors
- Weight, 24" cable: 60g
- Export classification: ECCN 3A611.x

HOW TO ORDER

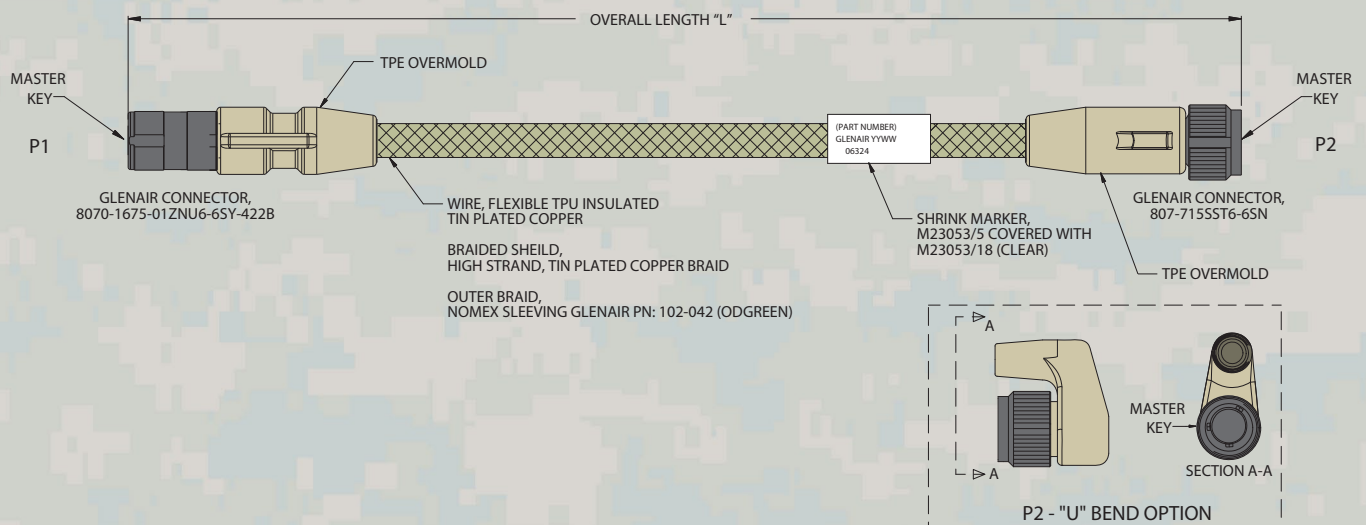
Sample Part Number:	808-044	-U	-28
Cable Series	RT-1922 Microlight SADL Radio Cable		
U-Bend Option	U = with "U" bend- Omit for straight		
Length Designator	In inches Omit for default length of 24.00"		



QUALIFIED FOR USE WITH ALL STAR-PAN POWER / DATA HUBS

LIGHT, II, IV, AND VI

HUB PORT DESIGNATOR:
RADIO



BATTLE-TESTED

STAR-PAN™

Radio cables and adapters

TS3-009 Thales PR4G Radio Ethernet Cable



RADIO CABLES AND ADAPTERS



Thales PR4G Radio Cable

SPECIFICATIONS

- For interconnection of referenced radio type to STAR-PAN power / data hubs
- Santoprene jacketed cable, black
- Ergonomic overmolding
- Mighty Mouse 807 (NATO standard) connector and J4 Radio connector
- Weight: (consult factory)
- Export classification: ECCN 3A611.x

HOW TO ORDER

Sample Part Number:	TS3-009	-30
Cable Series	Thales PR4G Radio Ethernet Cable	
Length Designator	In inches Omit for default length of 24.00"	

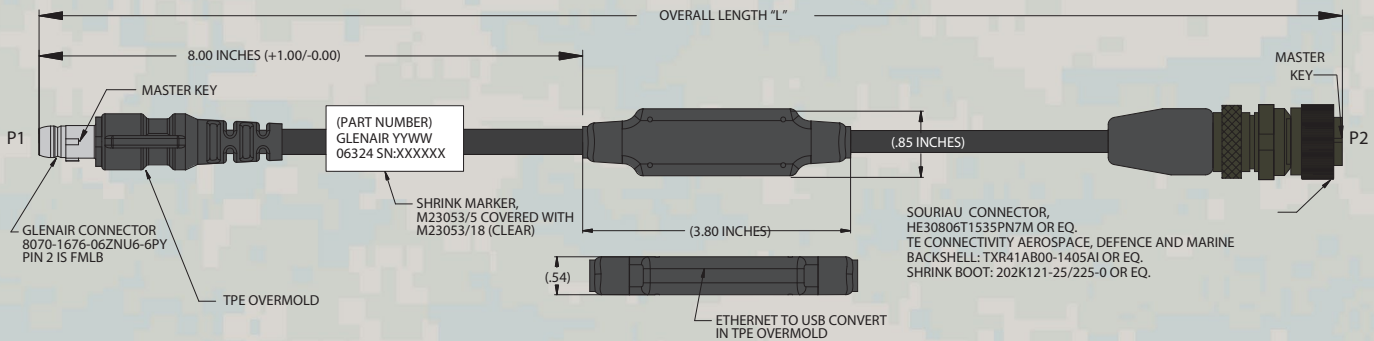


QUALIFIED FOR USE WITH ALL STAR-PAN POWER / DATA HUBS

LIGHT, II, IV, AND VI

HUB PORT DESIGNATOR:

PAN



BATTLE-TESTED

STAR-PAN™

Radio cables and adapters

TS3-016 TrellisWare TW-950 TSM Shadow Radio Adapter



**TrellisWare TSM Shadow
Radio Adapter**

SPECIFICATIONS

- For interconnection of referenced radio type to STAR-PAN power / data hubs
- Black zinc-nickel finish
- Mighty Mouse 807 (NATO standard) connector
- Weight: (consult factory)
- Export classification: EAR99

HOW TO ORDER

Sample Part Number:

TS3-016

Adapter Series

TrellisWare TS-950 TSM Shadow radio adapter



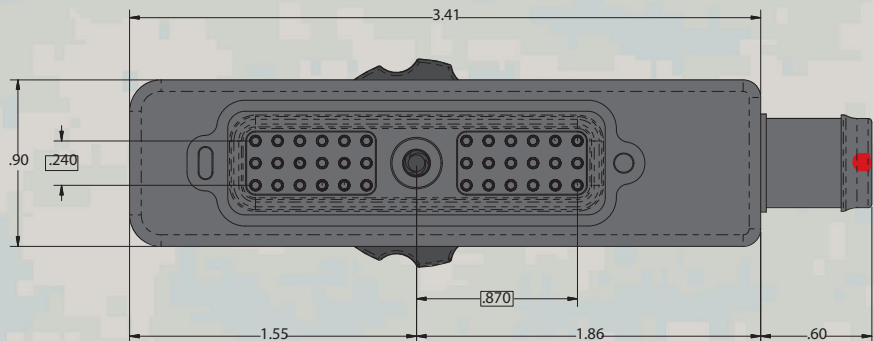
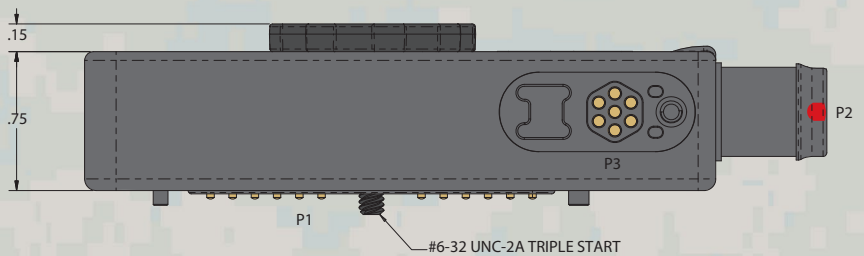
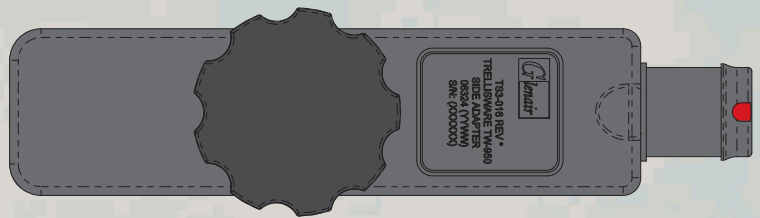
QUALIFIED FOR USE WITH ALL STAR-PAN POWER / DATA HUBS

LIGHT, II, IV, AND VI

HUB PORT DESIGNATOR:

RADIO

RADIO POWER BOOST



RADIO CABLES AND ADAPTERS

BATTLE-TESTED

STAR-PAN™

Radio cables and adapters

TS8-486 TrellisWare TW-950 TSM Shadow Radio Power Booster



RADIO CABLES AND ADAPTERS

SPECIFICATIONS

- Black zinc-nickel finish
- Weight: (consult factory)
- Export classification: ECCN 3A611.x
- Assembly supplied with TS1-094 cable

HOW TO ORDER

Sample Part Number:

TS8-486

Adapter Series

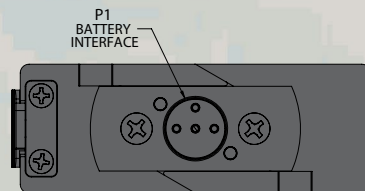
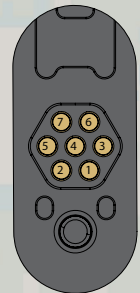
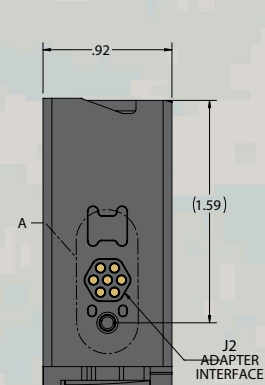
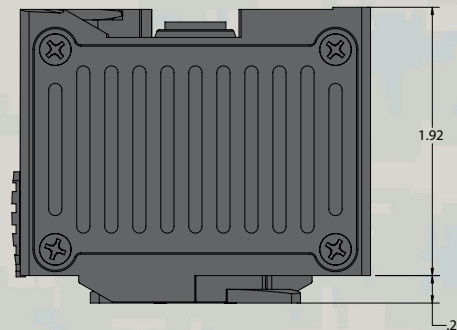
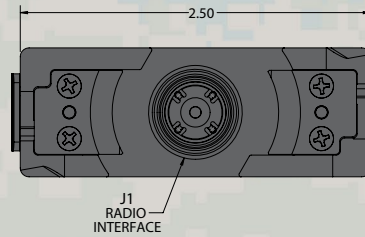
TrellisWare Radio Power Booster



QUALIFIED FOR USE WITH ALL STAR-PAN POWER / DATA HUBS
LIGHT, II, IV, AND VI

HUB PORT DESIGNATOR:
RADIO

RADIO POWER BOOST



BATTLE-TESTED

STAR-PAN™

Radio cables and adapters

TS1-094 Cable for use with TS8-486 Power Booster



RADIO CABLES AND ADAPTERS

SPECIFICATIONS

- Black overmolded cable
- Black zinc-nickel finish housings
- Weight: (consult factory)
- Export classification: EAR99

HOW TO ORDER

Sample Part Number:

TS1-094

Adapter Series

Cable for use with RPB TS8-486



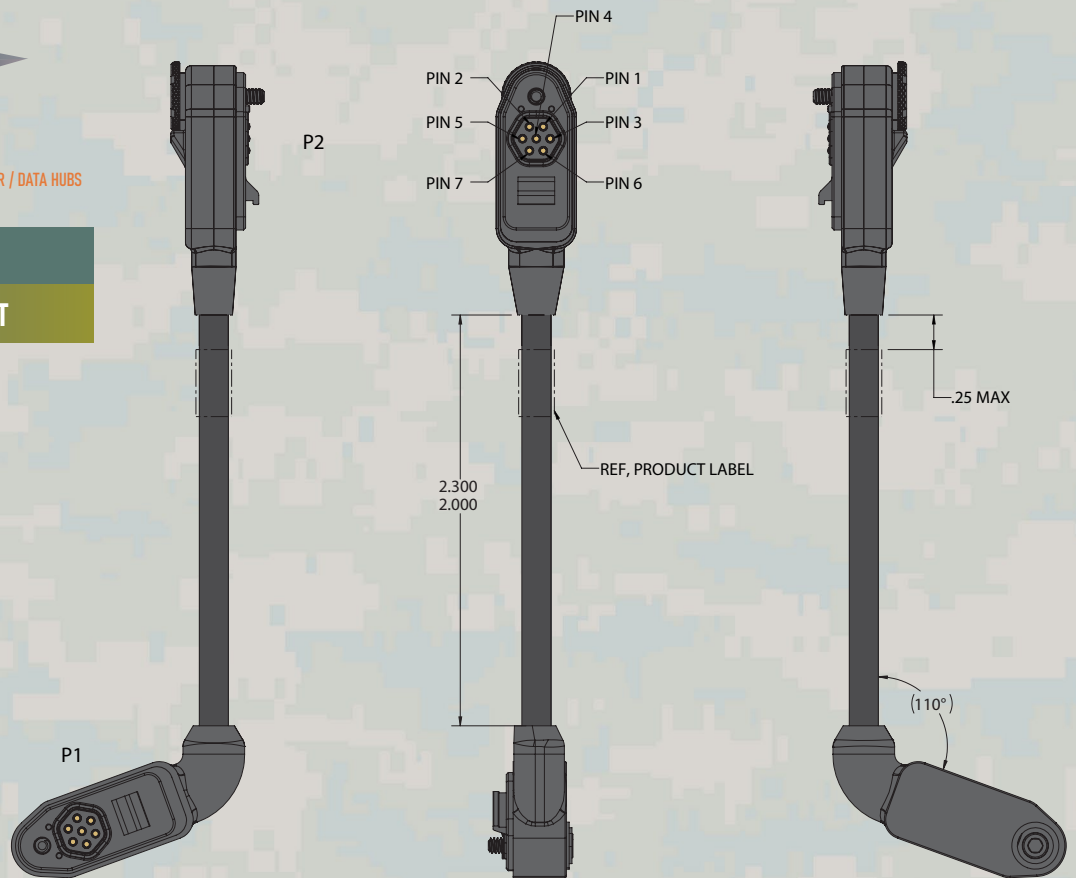
QUALIFIED FOR USE WITH ALL STAR-PAN POWER / DATA HUBS

LIGHT, II, IV, AND VI

HUB PORT DESIGNATOR:

RADIO

RADIO POWER BOOST



BATTLE-TESTED

STAR-PAN™

Radio cables and adapters

TS1-003 Silvus SC4200 Data Cable



RADIO CABLES AND ADAPTERS



Silvus SC4200 Radio Cable

SPECIFICATIONS

- For interconnection of referenced radio type to STAR-PAN power / data hubs
- Santoprene jacketed cable, black
- Ergonomic overmolding
- Mighty Mouse 807 (NATO standard) connector and J4 Radio connector
- Weight: (consult factory)
- Export classification: EAR99

HOW TO ORDER

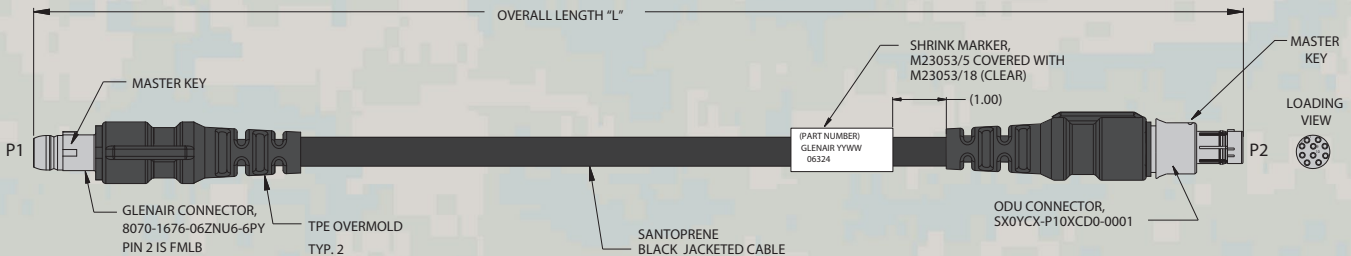
Sample Part Number:	TS1-003	-30
Cable Series	Silvus SC4200 Radio Data Cable	
Length Designator	In inches Omit for default length of 24.00"	



QUALIFIED FOR USE WITH ALL STAR-PAN POWER / DATA HUBS
LIGHT, II, IV, AND VI

HUB PORT DESIGNATOR:
AUX

RADIO POWER BOOST



BATTLE-TESTED

STAR-PAN™

Radio cables and adapters

TS8-539 MPU5 Ethernet Cable



RADIO CABLES AND ADAPTERS

SPECIFICATIONS

- For interconnection of referenced radio type to STAR-PAN power / data hubs
- Santoprene jacketed cable, black
- Ergonomic TPU overmolding
- Mighty Mouse 807 (NATO standard) connector and radio connector assembly
- Weight: (consult factory)
- Export classification: ECCN 3A611.x

HOW TO ORDER

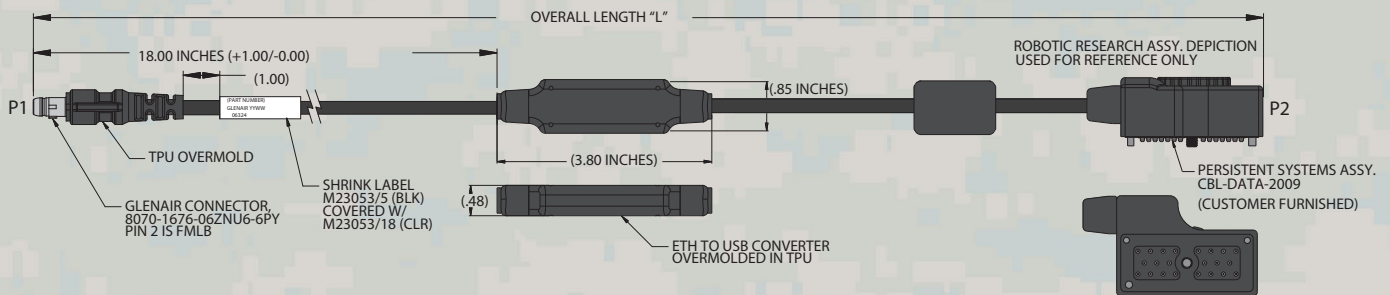
Sample Part Number:	TS8-539	-30
Cable Series	MPU5 Ethernet cable	
Length Designator	In inches. 90" max. Omit for default length of 90.00"	



QUALIFIED FOR USE WITH ALL STAR-PAN POWER / DATA HUBS

LIGHT, II, IV, AND VI

HUB PORT DESIGNATOR:
RADIO



BATTLE-TESTED

STAR-PAN™

Radio cables and adapters

TS8-544 MPU5 Ethernet Cable with Radio Power Boost option



RADIO CABLES AND ADAPTERS

SPECIFICATIONS

- For interconnection of referenced radio type to STAR-PAN power / data hubs
- Santoprene jacketed cable, black
- Ergonomic TPE overmolding
- Mighty Mouse 807 (NATO standard) connector, URPB connector, and radio connector assembly
- Weight: (consult factory)
- Export classification: ECCN 3A611.x

HOW TO ORDER

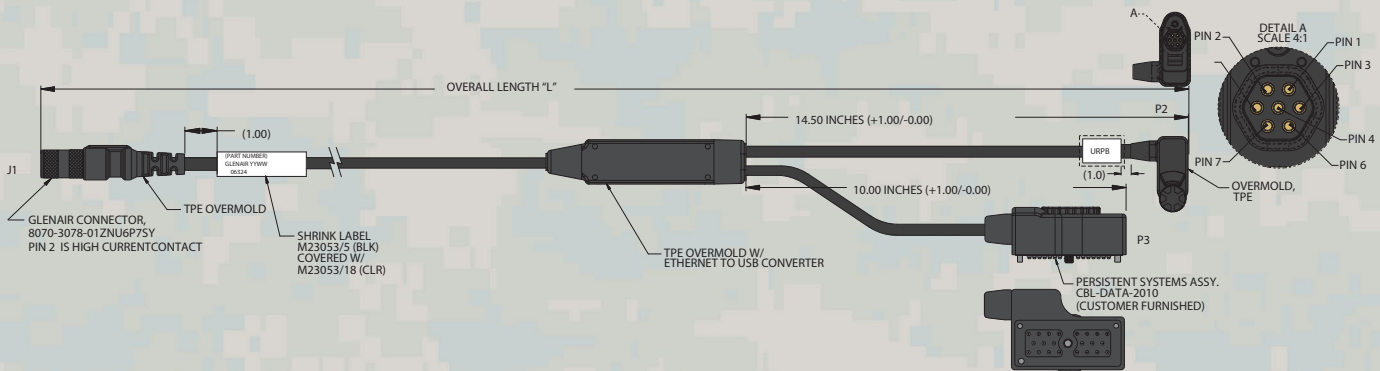
Sample Part Number:	TS8-544	-24
Cable Series	MPU5 Ethernet cable with RPB	
Length Designator	In inches. 30" max. Omit for default length of 30.00"	



QUALIFIED FOR USE WITH ALL STAR-PAN POWER / DATA HUBS
LIGHT, II, IV, AND VI

HUB PORT DESIGNATOR:
RADIO

RADIO POWER BOOST





BATTLE-TESTED

STAR-PAN™

Power / battery cables and adapters

STAR-PAN POWER CABLES AND BATTERY ADAPTERS

Part No.	NATO Stock No. NSN	Description	Page No.
808-242		BB2590 Battery Adapter with Charging and SMBus	82
TS2-026 (-1, -2, -3)		BB2590 Adapters (Standard, EMI box, and 5V Out options)	83
TS1-027		Battery Connector for Bren-Tronics BTA-70838-8	84
TS1-033		Battery Connector for Bren-Tronics BTA-70909-8	
808-066	5935-01-683-1932	Radio Battery Adapter for Harris and BT70716XX Handheld Radios	85
TS3-022		Universal Radio Power Booster (RPB)	86
808-175		PRC-152A, -152, -148 Universal Battery Adapter / Charger	87
TS8-459		AN/PRC Radio Power Booster	88
TS8-473		AN/PRC-163 Dual Power Cable Battery Eliminator	89
808-063		PRC-152A, -152, -148 Radio Power Booster	90
TS1-067		Cable for use with Radio Battery Adapter	91
TS1-030		Cable for use with Radio Battery Adapter	92
TS1-073		Cable for use with Radio Battery Adapter	93
TS1-045		AN/PRC-163 Dual Charge/Battery Eliminator Cable	94
TS2-003		Power Scavenger	95
TS2-009		Power Conditioner	96
TS1-093		STAR-PAN X Adapter Cable for TS2-009 Power Conditioner	97
TS1-053		Automotive Aux Power / Cigarette Lighter Adapter Cable	98
TS1-054		Mighty Mouse to Battery Clamp Adapter Cable	99
TS1-055		Mighty Mouse to NATO Plug Adapter Cable	100
808-059	6150-01-674-0055	Cigarette Lighter Power Adapter Cable	101
808-064	5995-01-668-8659	AC/DC Power Adapter Cable	102
808-064-EU	5995-01-682-9273		
TS3-060		USB-C Power Delivery Downstream Charging Cable	103

BATTLE-TESTED

STAR-PAN™

Power cables and battery adapters

808-242 BB2590 Battery Adapter with Charging and SMBus



POWER CABLES AND BATTERY ADAPTERS



SPECIFICATIONS

- For connection of referenced battery to STAR-PAN power / data hubs
- Aluminum housing, Olive Drab epoxy paint finish
- Strap color options: standard Coyote Tan, Ranger Green, or Black
- Mighty Mouse 807 (NATO standard) Power In / Battery connectors and BB2590 battery connector
- Weight: 286g
- Export classification: EAR 99

HOW TO ORDER

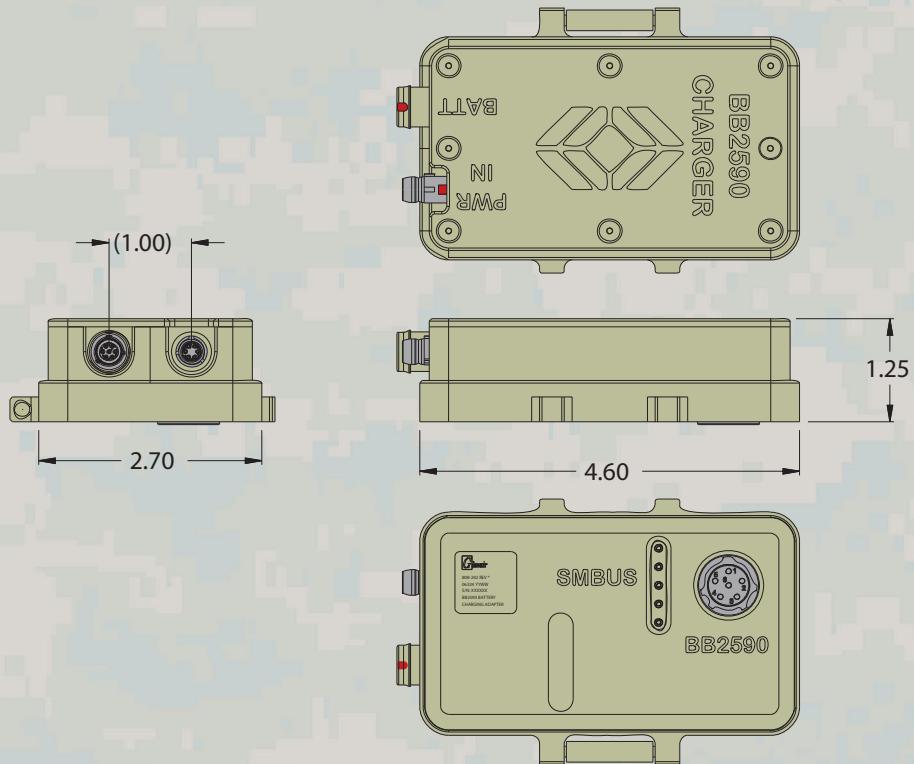
Sample Part Number:	808-242	-GRN
Adapter Series	BB2590 Battery Connector	
Strap Color Option	-BLK = Black -GRN = Ranger Green Omit = Coyote Tan	

BB2590 Parallel Charging Battery Adapter with SMBus



QUALIFIED FOR USE WITH ALL STAR-PAN POWER / DATA HUBS
LIGHT, II, IV, AND VI

HUB PORT DESIGNATOR:
BATT

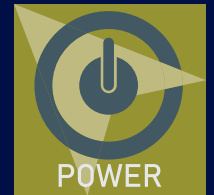


BATTLE-TESTED

STAR-PAN™

Power cables and battery adapters

TS2-026 BB2590 Battery Adapter, EMI Box / 5V Regulator options



POWER CABLES AND BATTERY ADAPTERS

SPECIFICATIONS

- For connection of BB2590 battery to STAR-PAN power / data hubs
- EMI-protective box option and 5V regulator options
- Aluminum housing, black zinc-nickel finish
- Mighty Mouse 807 (NATO standard) Power In / Battery connector and BB2590 battery connector
- Weight: consult factory
- Export classification: EAR 99

HOW TO ORDER

Sample Part Number:	TS2-026	-1
Adapter Series	BB2590 battery adapter	
EMI Box / 5V OUT Options	Omit = standard configuration -1 = BB2590 Adapter - STAR-PAN Standard with EMI box -2 = BB2590 Adapter - STAR-PAN Standard with EMI box and 5V out -3 = BB2590 Adapter - STAR-PAN Standard 5V Out	



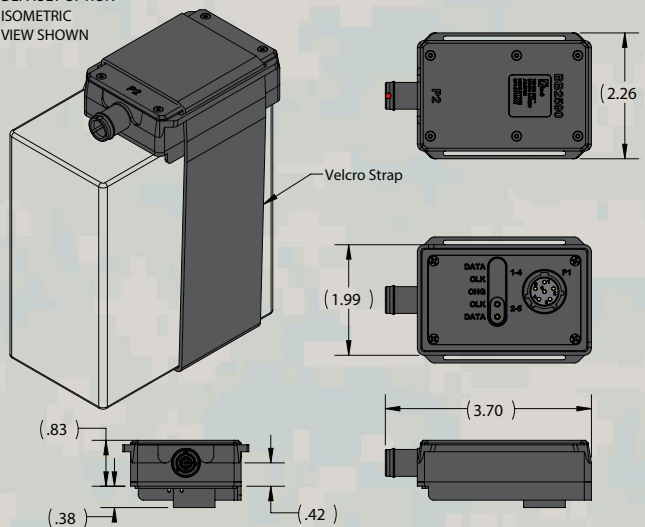
QUALIFIED FOR USE WITH ALL STAR-PAN POWER / DATA HUBS

LIGHT, II, IV, AND VI

HUB PORT DESIGNATOR:

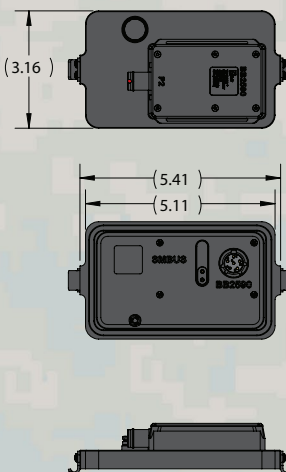
BATT

DEFAULT OPTION
ISOMETRIC
VIEW SHOWN

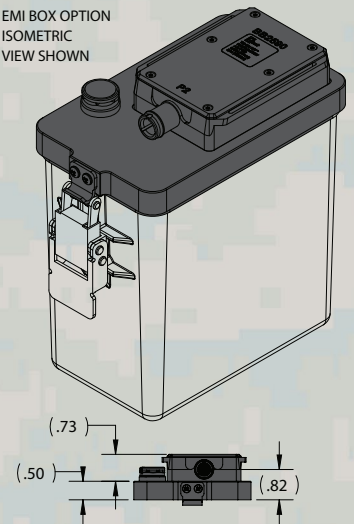


DEFAULT OPTION

EMI BOX OPTION (-1)



EMI BOX OPTION
ISOMETRIC
VIEW SHOWN



BATTLE-TESTED

STAR-PAN™

Power cables and battery adapters

TS1-027 / TS1-033 for Bren-Tronics Batteries



POWER CABLES AND BATTERY ADAPTERS



Battery Connector for Bren-Tronics Batteries:
TS1-027: BTA-70838-8
TS1-033: BTA-70909-8

SPECIFICATIONS

- Aluminum housing, black conductive finish
- Santoprene jacketed cable, black
- Weight: (consult factory)
- Export classification: EAR99

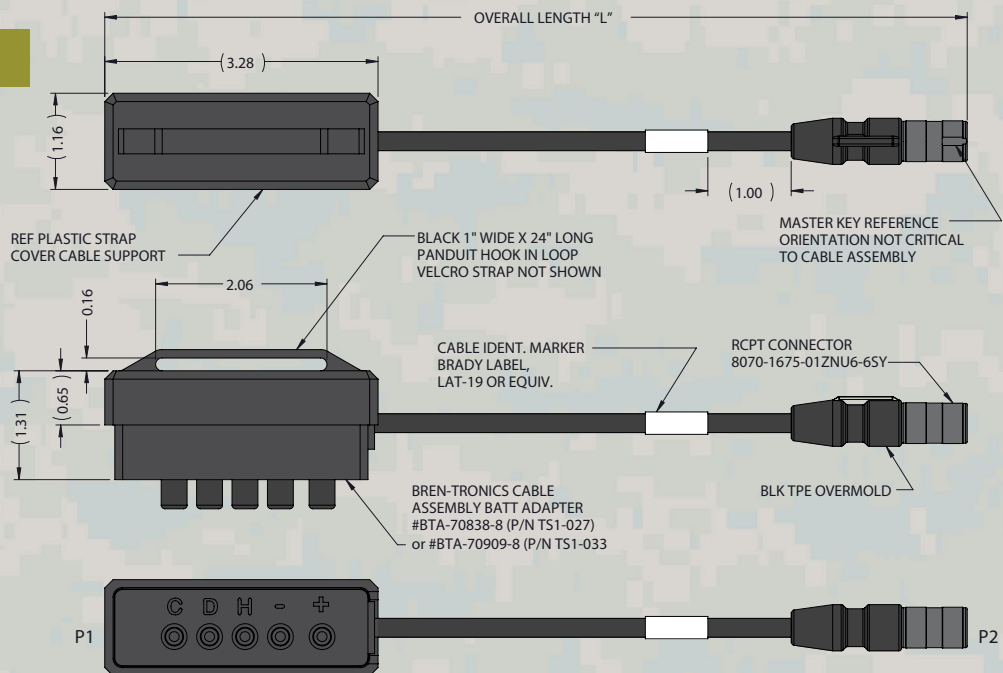
HOW TO ORDER

Sample Part Number:		TS1-027
Adapter Series	Bren-Tronics Battery Connectors	
	TS1-027: for Bren-Tronics BTA-70838-8 TS1-033: for Bren-Tronics BTA-70909-8	
Length Option	In Inches	
	Omit for standard length: TS1-027 = 21 inches; TS1-033 = 24 inches	



QUALIFIED FOR USE WITH ALL STAR-PAN POWER / DATA HUBS
LIGHT, II, IV, AND VI

HUB PORT DESIGNATOR:
BATT

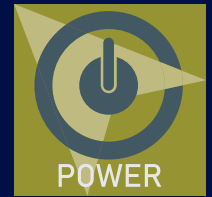


BATTLE-TESTED

STAR-PAN™

Power cables and battery adapters

808-066 Radio Battery Adapter



POWER CABLES AND BATTERY ADAPTERS



Battery Shoe connects Harris handheld radio and Bren-Tronics BT70716XX batteries



QUALIFIED FOR USE WITH ALL STAR-PAN POWER / DATA HUBS
LIGHT, II, IV, AND VI

SPECIFICATIONS

- For connection of for Harris and BT70716XX handheld radio batteries to STAR-PAN power / data hubs
- Aluminum housing, black zinc-nickel finish
- Mighty Mouse 807 (NATO standard) connector
- Weight: 70g
- Export classification: ECCN 3A611.x

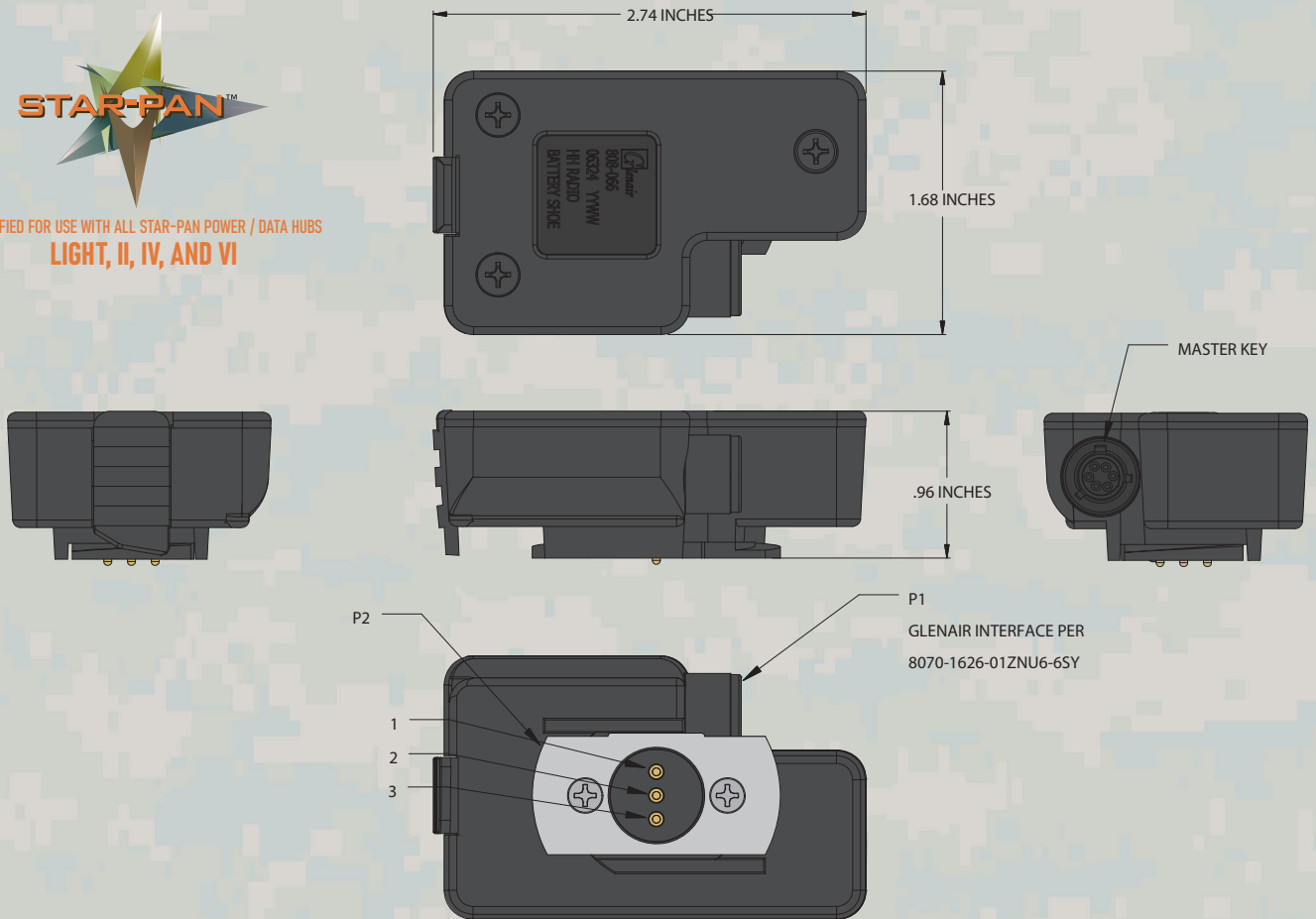
HOW TO ORDER

Sample Part Number:

808-066

Adapter Series

Battery Adapter for Handheld Radios



BATTLE-TESTED

STAR-PAN™

Power cables and battery adapters

TS3-022 Universal Radio Power Booster



POWER CABLES AND BATTERY ADAPTERS



SPECIFICATIONS

- Radio Power Booster enables trickle charging of radio batteries and radio holdup to hub
- Aluminum housing, black anodize finish
- Weight: (consult factory)
- Export classification: ECCN 3A611.a

HOW TO ORDER

Sample Part Number:

TS3-022

Adapter Series

BT-70838BE Battery Connector

For Harris AN/PRC-148, -152A, -161, -163; MPU-5; TNR

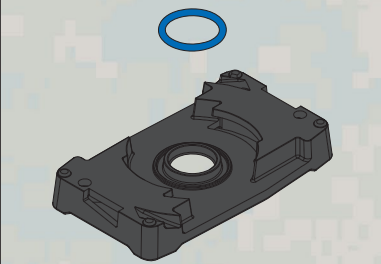


QUALIFIED FOR USE WITH ALL STAR-PAN POWER / DATA HUBS
LIGHT, II, IV, AND VI

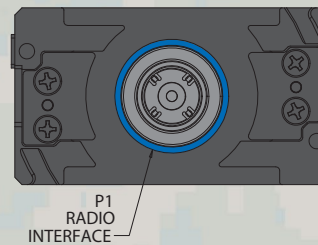
RADIO POWER BOOST

SUPPLIED ACCESSORY

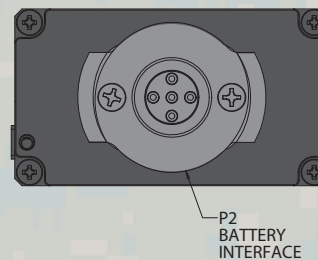
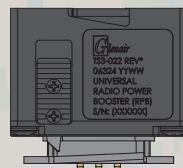
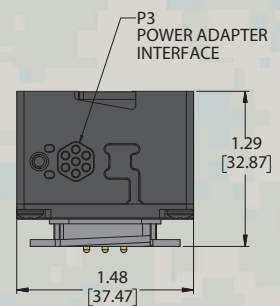
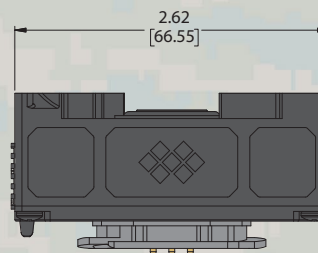
Part No. 808



Dust Cover with O-Ring Seal
Rugged black polycarbonate with fluorosilicone O-ring supplied with each assembly



P1
RADIO
INTERFACE



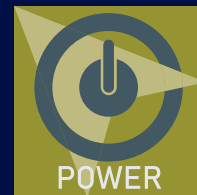
P2
BATTERY
INTERFACE

BATTLE-TESTED

STAR-PAN™

Power cables and battery adapters

808-175 PRC-152A, -152, -148 Battery Adapter / Charger



POWER CABLES AND BATTERY ADAPTERS



For Harris PRC-152A, PRC-152, and PRC-148 Radios



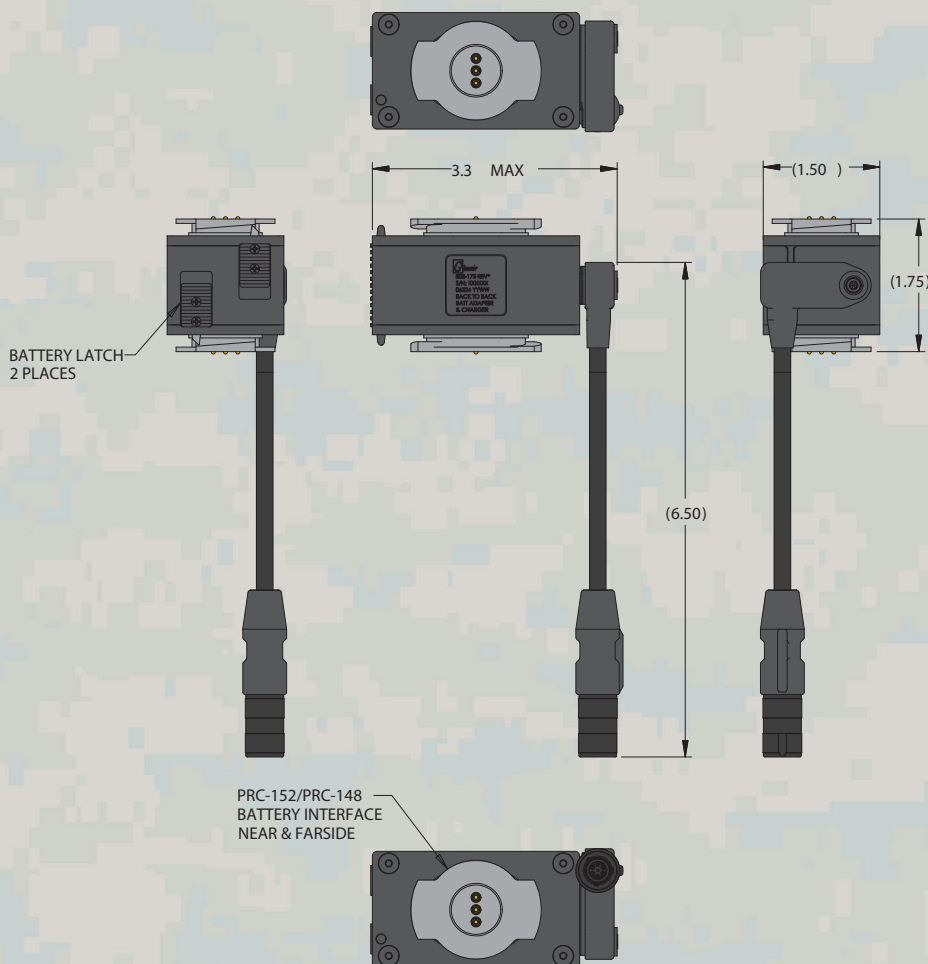
QUALIFIED FOR USE WITH ALL STAR-PAN POWER / DATA HUBS LIGHT, II, IV, AND VI

SPECIFICATIONS

- Back-to-back battery adapter and charger
- Aluminum housing, black zinc-nickel finish
- Overmolded, ergonomic connector strain reliefs, black.
- Santoprene jacketed cable, black
- Mighty Mouse 807 (NATO standard) connector
- Weight: (consult factory)
- Export classification: ECCN 3A611.x

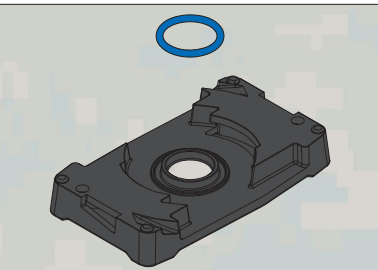
HOW TO ORDER

Part Number:	808-175
Adapter Series	Back-to-Back Radio Battery Adapter / Charger



SUPPLIED ACCESSORY

Part No. 808-144



Dust Cover with O-Ring Seal
Rugged black polycarbonate with fluorosilicone O-ring. Two supplied with each assembly

BATTLE-TESTED

STAR-PAN™

Power cables and battery adapters

TS8-459 AN/PRC-163 Radio Battery Adapter



POWER CABLES AND BATTERY ADAPTERS



**Battery Adapter
for Harris AN/PRC-163**



QUALIFIED FOR USE WITH ALL STAR-PAN POWER / DATA HUBS
LIGHT, II, IV, AND VI

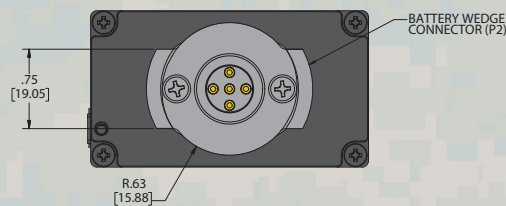
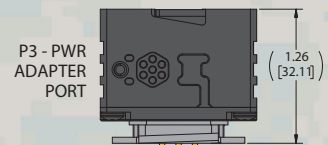
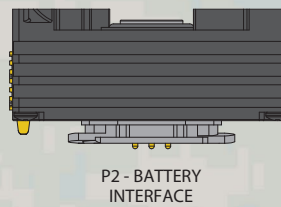
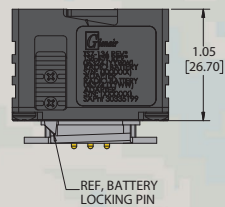
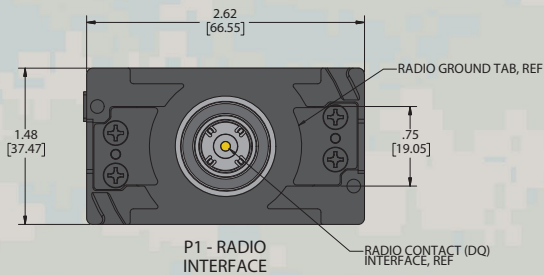
RADIO POWER BOOST

SPECIFICATIONS

- Radio Power Booster enables trickle charging of radio batteries and radio holdup to hub
- Aluminum housing, black anodized finish
- Weight: (consult factory)
- Export classification: ECCN 3A611.x

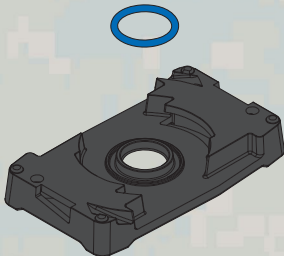
HOW TO ORDER

Part Number:	TS8-459
Adapter Series	Radio Battery Adapter



SUPPLIED ACCESSORY

Part No. 808-144



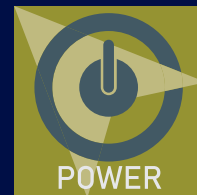
Dust Cover with O-Ring Seal
Rugged black polycarbonate with fluorosilicone O-ring supplied with each assembly

BATTLE-TESTED

STAR-PAN™

Power cables and battery adapters

TS8-473 AN/PRC-163 Dual Power Cable Battery Eliminator



POWER CABLES AND BATTERY ADAPTERS



Battery Eliminator for Harris AN/PRC-163



QUALIFIED FOR USE WITH ALL STAR-PAN POWER / DATA HUBS LIGHT, II, IV, AND VI

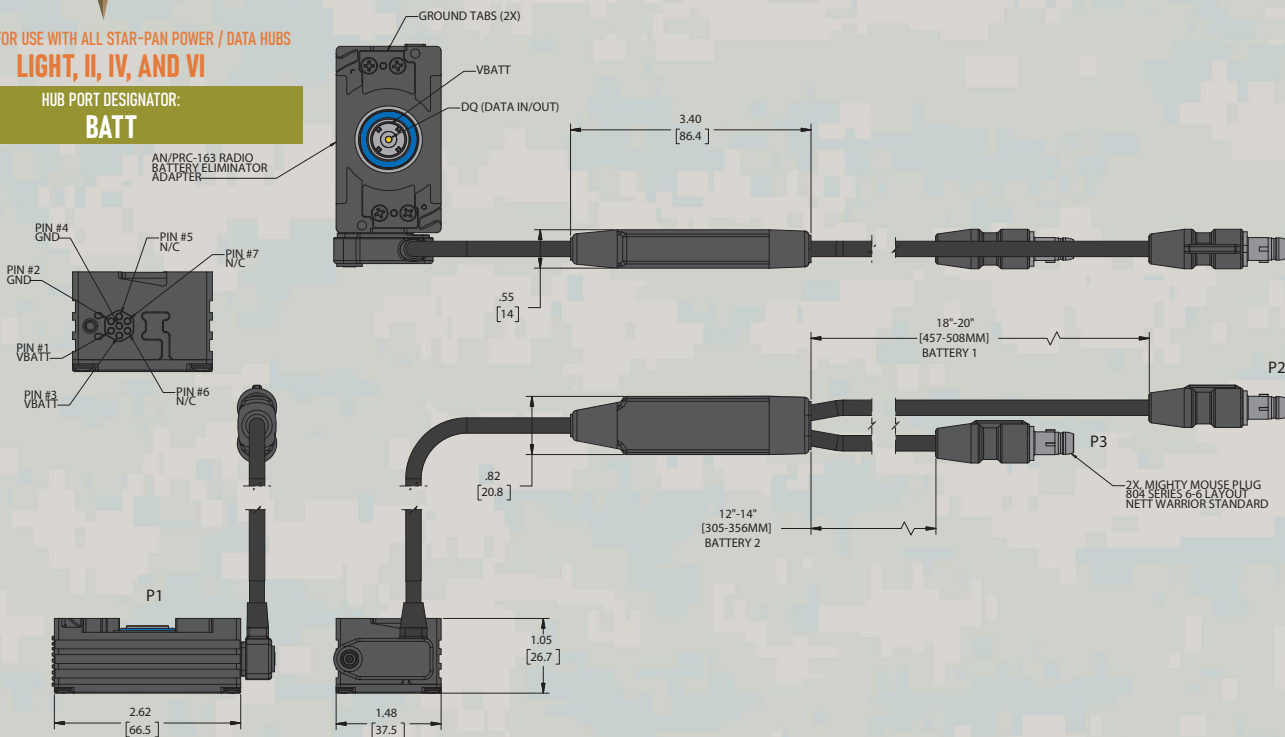
HUB PORT DESIGNATOR: BATT

SPECIFICATIONS

- Battery eliminator adapter
- Aluminum housing, black anodized finish
- Overmolded, ergonomic connector strain reliefs, black.
- Santoprene jacketed cable, black
- 2 Mighty Mouse 807 (NATO standard) connectors for “hot swap” capability
- Weight: (consult factory)
- Export classification: ECCN 3A611.x

HOW TO ORDER

Part Number:	TS8-473
Adapter Series	Battery Eliminator Adapter



BATTLE-TESTED

STAR-PAN™

Power cables and battery adapters

808-063 PRC-152A, -152, -148 Radio Power Booster



POWER CABLES AND BATTERY ADAPTERS



For Harris AN/PRC-152 / 152A, RF-7800M-HH, RF-7850-TR, L3 TNR, Silvus SC42 / SC44, DTC Radios



QUALIFIED FOR USE WITH ALL STAR-PAN POWER / DATA HUBS LIGHT, II, IV, AND VI

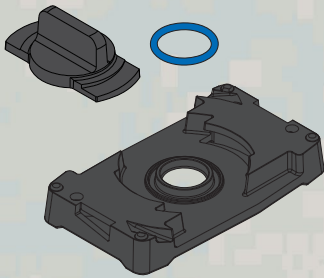
HUB PORT DESIGNATOR:

BATT

RADIO POWER BOOST

SUPPLIED ACCESSORIES

Part Nos. 808-144 and 990-80287



Top Cover and Dust Cover with O-Ring
Rugged black polycarbonate with fluorosilicone O-ring supplied with each assembly

SPECIFICATIONS

- Radio Power Booster enables trickle charging of radio batteries and radio holdup to hub
- Aluminum housing, black zinc-nickel finish
- Overmolded, ergonomic connector strain reliefs, black.
- Santoprene jacketed cable, black
- Mighty Mouse 807 (NATO standard) connector
- Weight: 172g
- Export classification: ECCN 3A611.x

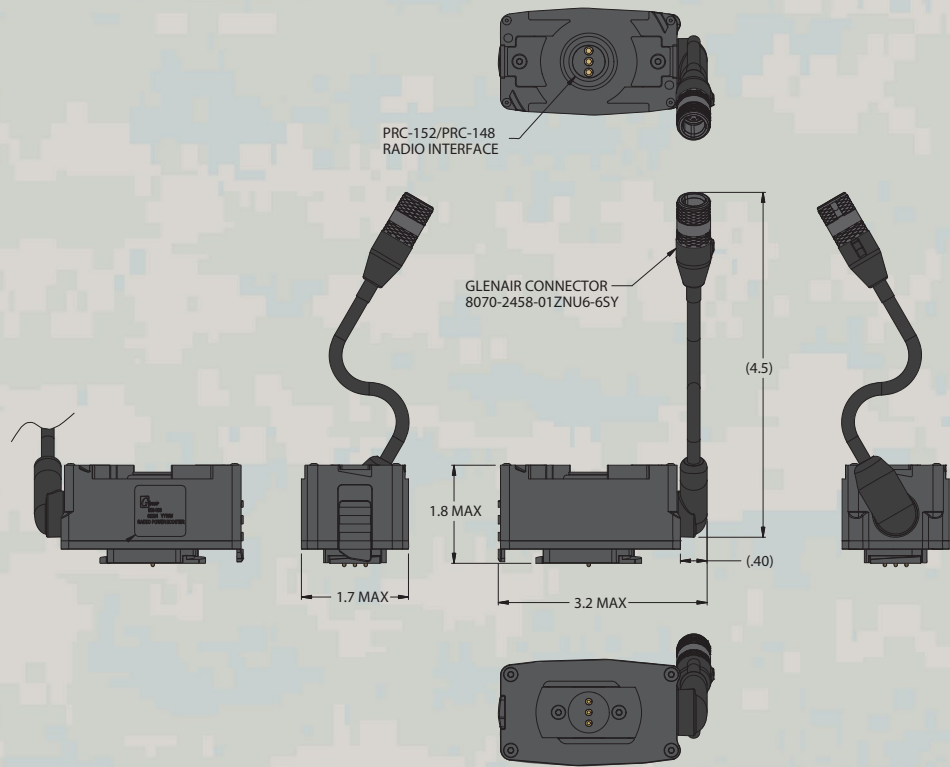
HOW TO ORDER

Part Number:

808-063

Adapter Series

Radio Power Booster

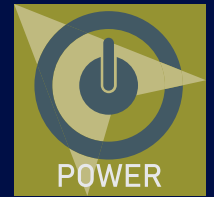


BATTLE-TESTED

STAR-PAN™

Power cables and battery adapters

TS1-067 Cable for use with Radio Battery Adapters



POWER CABLES AND BATTERY ADAPTERS



SPECIFICATIONS

- Aluminum housing, black conductive finish
- Santoprene jacketed cable, black
- Weight: (consult factory)
- Export classification: ECCN 3A611.x

Radio Battery Adapter cable
for TS3-022 and TS8-459

HOW TO ORDER

Sample Part Number:

TS1-067

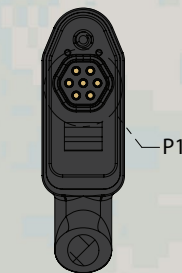
Cable Series

Cable for use with Radio Battery Adapters
TS3-022 and TS8-459

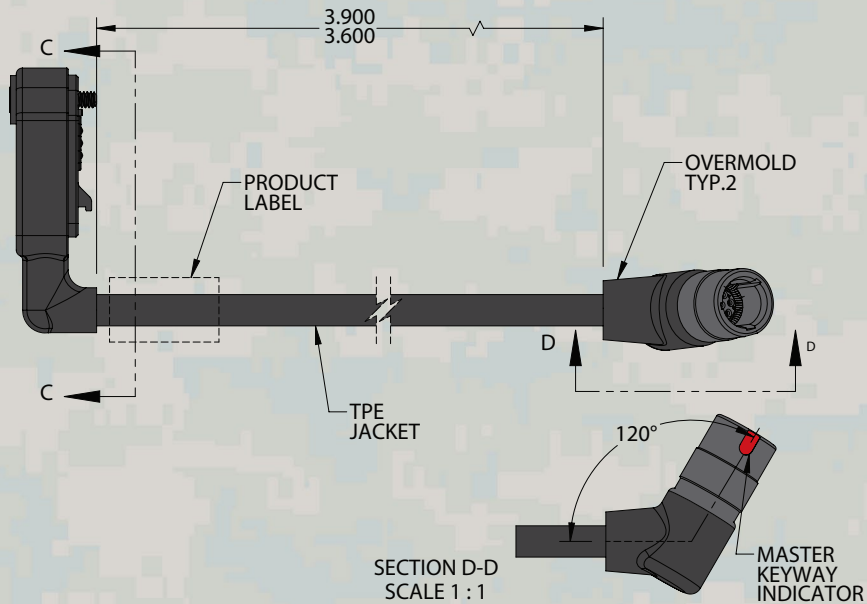


QUALIFIED FOR USE WITH ALL STAR-PAN POWER / DATA HUBS
LIGHT, II, IV, AND VI

HUB PORT DESIGNATOR:
BATT



SECTION C-C
SCALE 1 : 1



BATTLE-TESTED

STAR-PAN™

Power cables and battery adapters

TS1-030 Cable for use with Radio Battery Adapters



POWER CABLES AND BATTERY ADAPTERS



SPECIFICATIONS

- Aluminum housing, black conductive finish
- Santoprene jacketed cable, black
- Weight: (consult factory)
- Export classification: EAR99

Radio Battery Adapter cable for TS3-022 and TS8-459

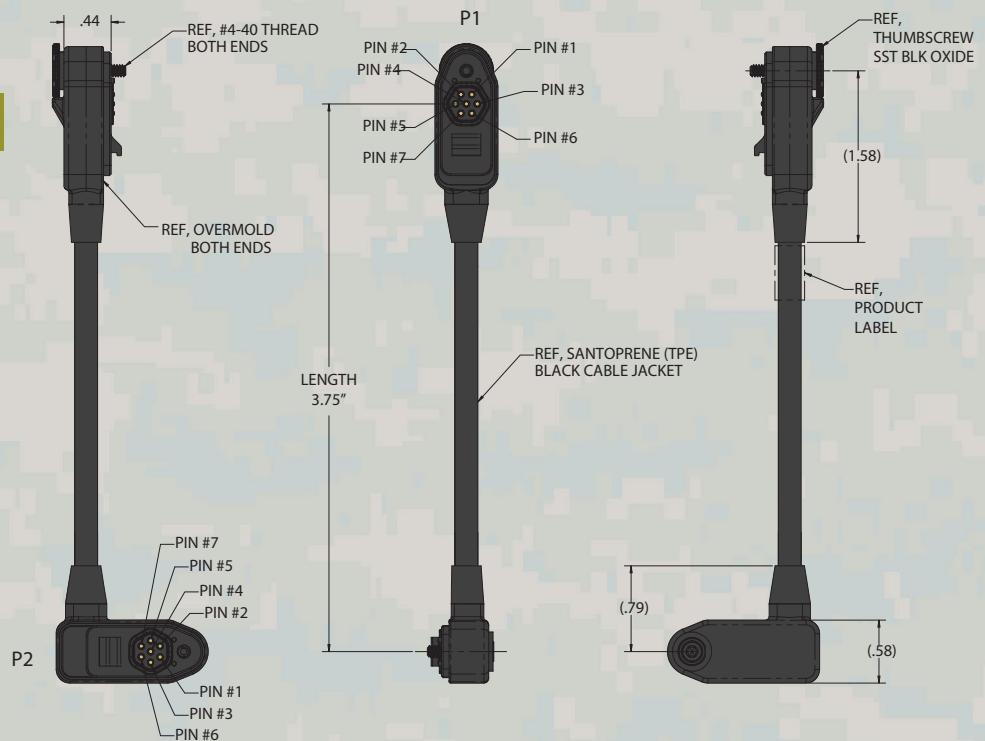
HOW TO ORDER

Sample Part Number:	TS1-030	-6	-A
Cable Series	Cable for use with Radio Battery Adapters TS3-022 and TS8-459		
Length	In Inches Omit for standard length of 5.75"		
Retained Screw Option	-A = Thumbscrew at P1 and Thumbscrew at P2 -B = Socket Head at P1 and Thumbscrew at P2 -C = Socket Head at P1 and Socket Head at P2 Omit for Thumbscrew at P1 and Socket Head at P2		
Packaging Option	Omit = Standard packaging -N = No packaging		



QUALIFIED FOR USE WITH ALL STAR-PAN POWER / DATA HUBS LIGHT, II, IV, AND VI

HUB PORT DESIGNATOR:
BATT

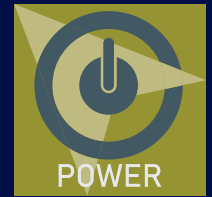


BATTLE-TESTED

STAR-PAN™

Power cables and battery adapters

TS1-073 Cable for use with Radio Battery Adapters



POWER CABLES AND BATTERY ADAPTERS

SPECIFICATIONS

- Aluminum housing, black conductive finish
- Santoprene jacketed cable, black
- Weight: (consult factory)
- Export classification: EAR99

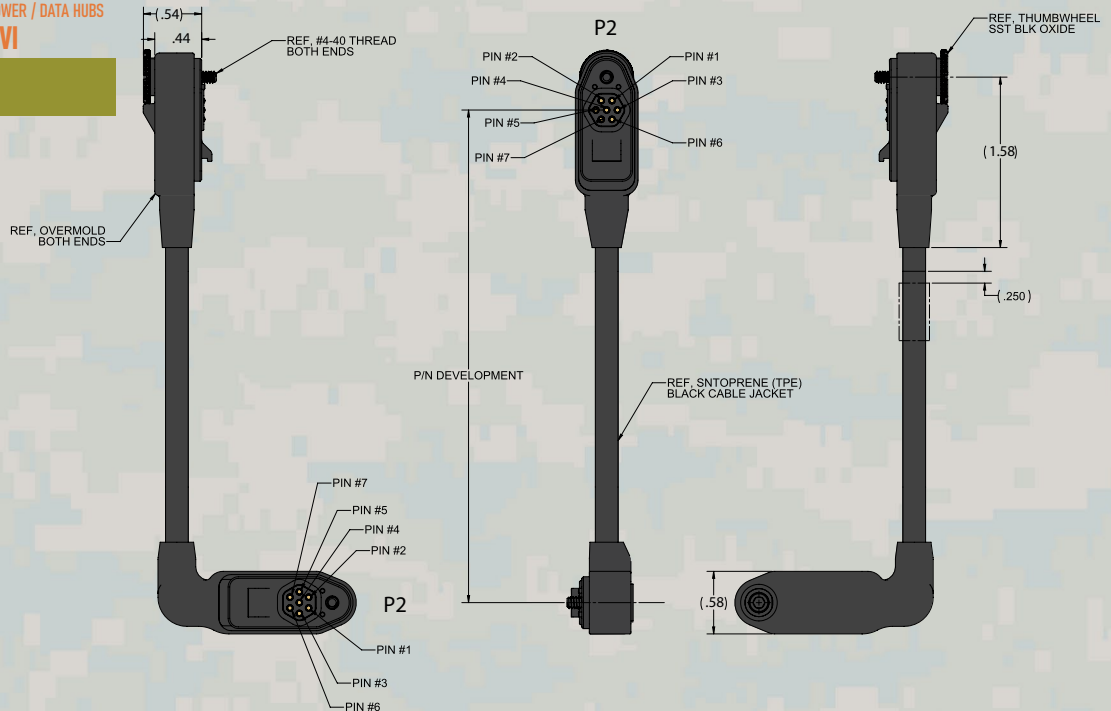
HOW TO ORDER

Sample Part Number:	TS1-073
Cable Series	Cable for use with Radio Battery Adapters
Length Designator	In Inches Omit for standard length of 4"



QUALIFIED FOR USE WITH ALL STAR-PAN POWER / DATA HUBS
LIGHT, II, IV, AND VI

HUB PORT DESIGNATOR:
BATT



BATTLE-TESTED

STAR-PAN™

Power cables and battery adapters

TS1-045 AN/PRC-163 Dual Charge/Battery Eliminator Cable



POWER CABLES AND BATTERY ADAPTERS

SPECIFICATIONS

- Aluminum housing, black conductive finish
- Santoprene jacketed cable, black
- Weight: (consult factory)
- Export classification: EAR 99

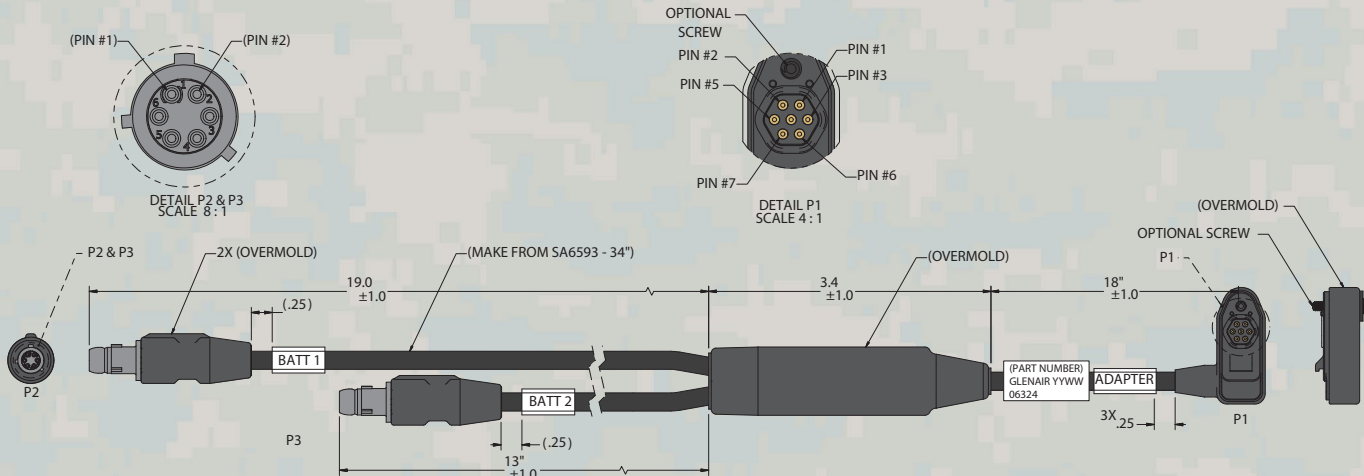
HOW TO ORDER

Sample Part Number:	TS1-045	-S
Cable Series	AN/PRC-163 dual battery charge / battery eliminator cable	
Screw Option	-S = with screw Omit for no screw supplied at P1	



QUALIFIED FOR USE WITH ALL STAR-PAN POWER / DATA HUBS
LIGHT, II, IV, AND VI

HUB PORT DESIGNATOR:
BATT

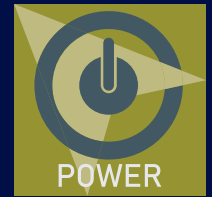


BATTLE-TESTED

STAR-PAN™

Power cables and battery adapters

TS2-003 Power Scavenger



POWER CABLES AND BATTERY ADAPTERS

SPECIFICATIONS

- Energy harvesting from renewable energy sources
- Simultaneous smart battery charging and uninterrupted powering of other devices
- Aluminum housing, black conductive finish
- Weight: (consult factory)
- Export classification: ECCN 3A611.a

HOW TO ORDER

Sample Part Number:

TS2-003

Adapter Series

Power Scavenger

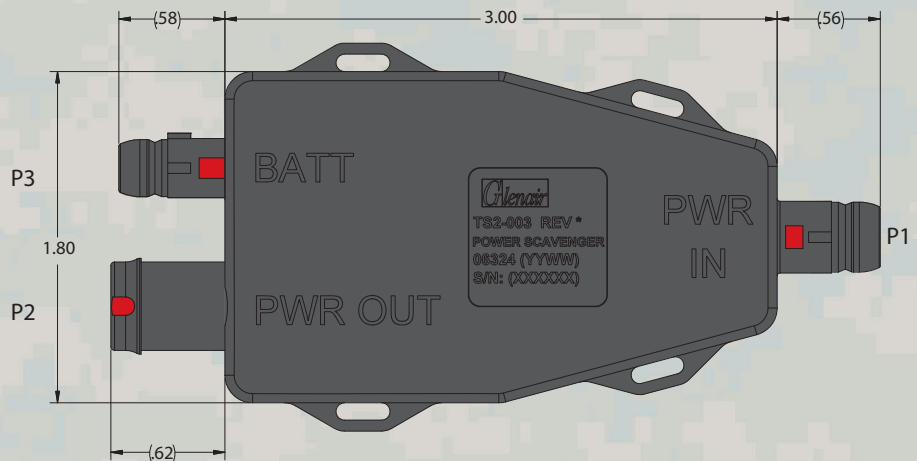


QUALIFIED FOR USE WITH ALL STAR-PAN POWER / DATA HUBS

LIGHT, II, IV, AND VI

HUB PORT DESIGNATOR:

BATT



BATTLE-TESTED

STAR-PAN™

Power cables and battery adapters

TS2-009 Power Conditioner



POWER CABLES AND BATTERY ADAPTERS



Power Conditioner

SPECIFICATIONS

- Enables multiple power input options and regulates power for use with STAR-PAN hubs
- Aluminum housing, electroless nickel finish, painted matte tan
- Conductive fluorosilicone housing gasket
- Mighty Mouse 807 (NATO standard) connector [power out] and Mighty Mouse 801 connector [power in]

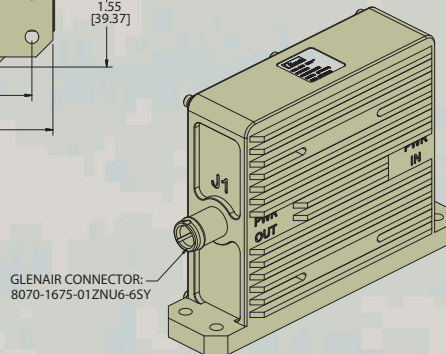
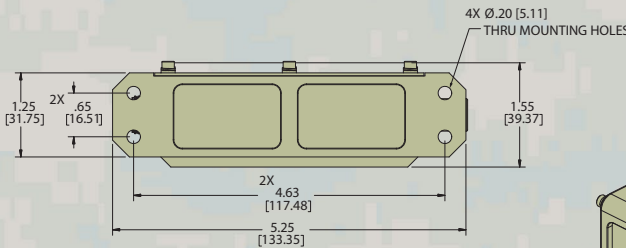
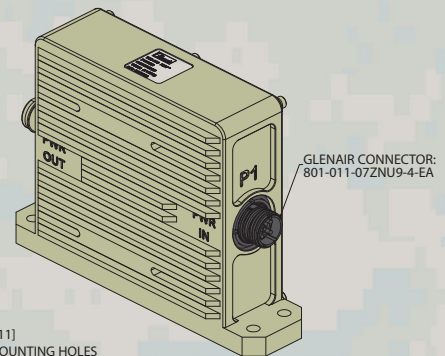
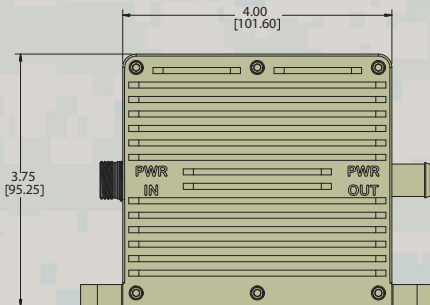
HOW TO ORDER

Part Number:	TS2-009
Adapter Series	Power Conditioner



QUALIFIED FOR USE WITH ALL STAR-PAN POWER / DATA HUBS
LIGHT, II, IV, AND VI

HUB PORT DESIGNATOR:
AUX or BATT

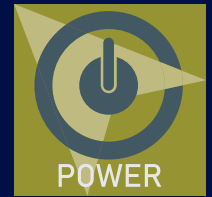


BATTLE-TESTED

STAR-PAN™

Power cables and battery adapters

TS1-093 STAR-PAN X Adapter Cable for TS2-009 Power Conditioner



POWER CABLES AND BATTERY ADAPTERS

TS1-093 STAR-PAN X ADAPTER CABLE SPECIFICATIONS

- For connection of STAR-PAN X power / data hubs to TS2-009 Power Conditioner
- Mighty Mouse 801 connector [power in] and Mighty Mouse 807 (NATO standard) connector
- Export classification: EAR 99

HOW TO ORDER

Part Number:	TS1-093	-16
Adapter Series	STAR-PAN X to TS2-009 Power Conditioner adapter cable	
Length Designator	In inches Omit for default length of 10.00"	

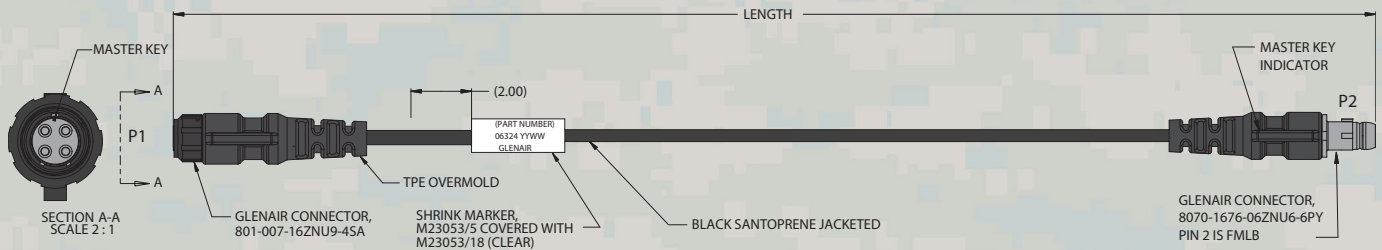


QUALIFIED FOR USE WITH ALL STAR-PAN POWER / DATA HUBS

LIGHT, II, IV, AND VI

HUB PORT DESIGNATOR:

BATT



BATTLE-TESTED

STAR-PAN™

Power cables and battery adapters

TS1-053 Automotive Aux Power/Cigarette Lighter Adapter Cable



POWER CABLES AND BATTERY ADAPTERS

SPECIFICATIONS

- For connection of STAR-PAN power / data hubs to vehicle aux power or cigarette lighter with TS2-009 Power Conditioner
- Mighty Mouse 801 connector [power in]
- Export classification: EAR 99

HOW TO ORDER

Part Number:	TS1-053
Adapter Series	Automotive Aux Power/Cigarette Lighter Adapter Cable
Length Designator	In inches Omit for default length of 120.00"

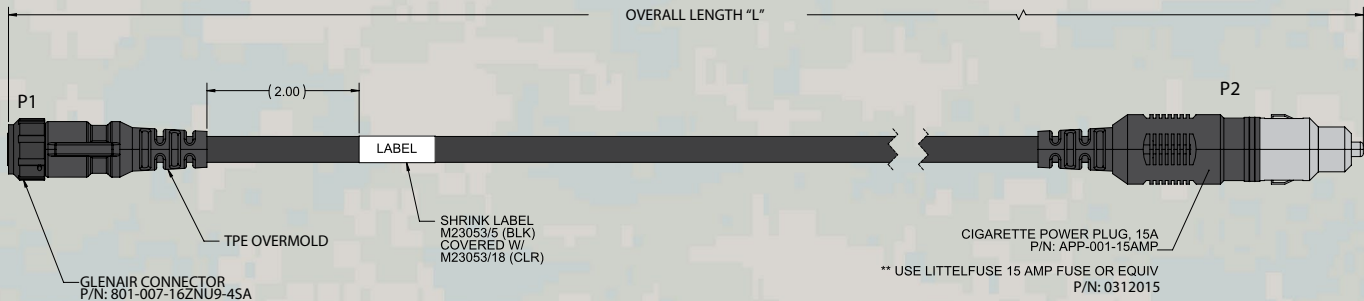


QUALIFIED FOR USE WITH ALL STAR-PAN POWER / DATA HUBS

LIGHT, II, IV, AND VI

HUB PORT DESIGNATOR:

BATT

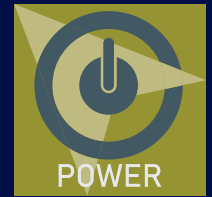


BATTLE-TESTED

STAR-PAN™

Power cables and battery adapters

TS1-054 Mighty Mouse to Battery Clamp Adapter Cable



POWER CABLES AND BATTERY ADAPTERS

SPECIFICATIONS

- For connection of STAR-PAN power / data hubs to battery with TS2-009 Power Conditioner
- Mighty Mouse 801 connector [power in]
- Export classification: EAR 99

HOW TO ORDER

Part Number:

TS1-054

Adapter Series

Battery Clamp Adapter Cable

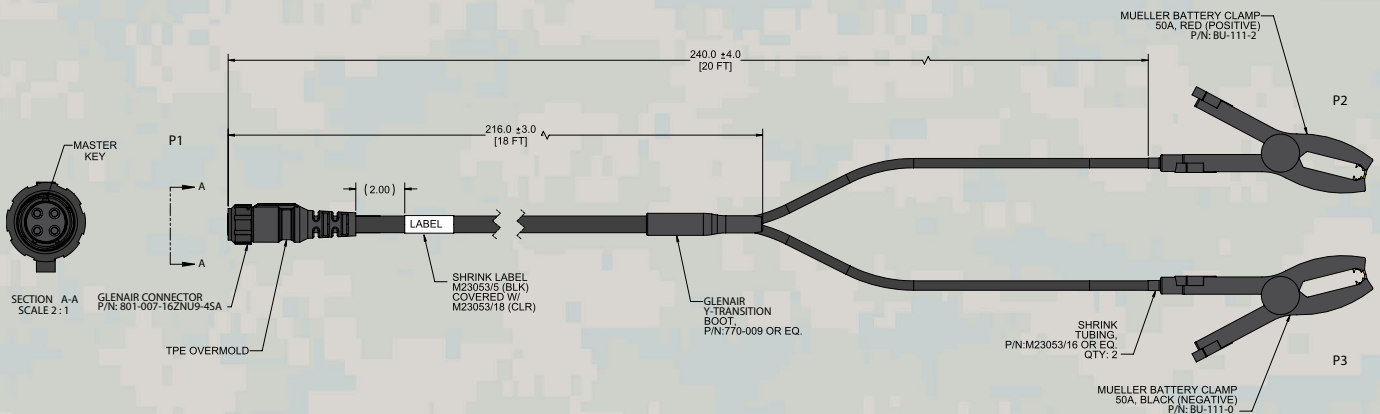


QUALIFIED FOR USE WITH ALL STAR-PAN POWER / DATA HUBS

LIGHT, II, IV, AND VI

HUB PORT DESIGNATOR:

BATT



BATTLE-TESTED

STAR-PAN™

Power cables and battery adapters

TS1-055 Mighty Mouse to NATO Plug Adapter Cable



POWER CABLES AND BATTERY ADAPTERS

SPECIFICATIONS

- For connection of STAR-PAN power / data hubs to NATO plug connector with TS2-009 Power Conditioner
- Mighty Mouse 801 connector [power in]
- Export classification: EAR 99

HOW TO ORDER

Part Number:

TS1-055

Adapter Series

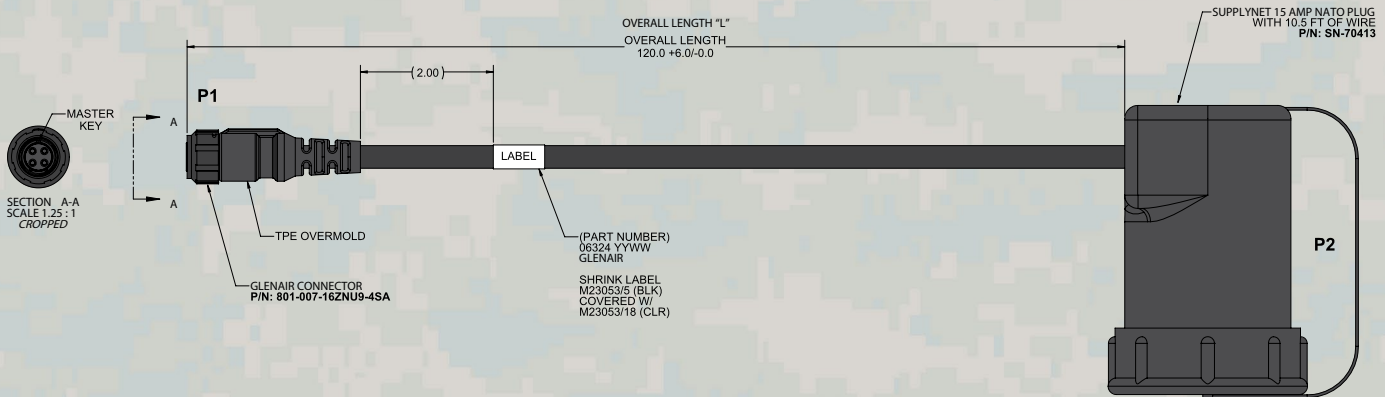
NATO Plug Adapter Cable



QUALIFIED FOR USE WITH ALL STAR-PAN POWER / DATA HUBS
LIGHT, II, IV, AND VI

HUB PORT DESIGNATOR:

BATT

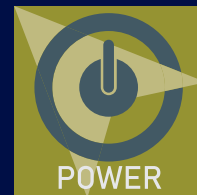


BATTLE-TESTED

STAR-PAN™

Power cables and battery adapters

808-059 Cigarette Lighter Power Adapter Cable



POWER CABLES AND BATTERY ADAPTERS



Cigarette lighter power adapter cable

SPECIFICATIONS

- For connection of STAR-PAN power / data hubs to vehicle cigarette lighter
- Provides conditioned vehicle power
- Mighty Mouse 807 (NATO standard) connector
- Weight, standard 72" cable: 84g
- Export classification: ECCN 3A611.x

HOW TO ORDER

Sample Part Number:

808-059

Cable Series

Cigarette Lighter Power Adapter Cable

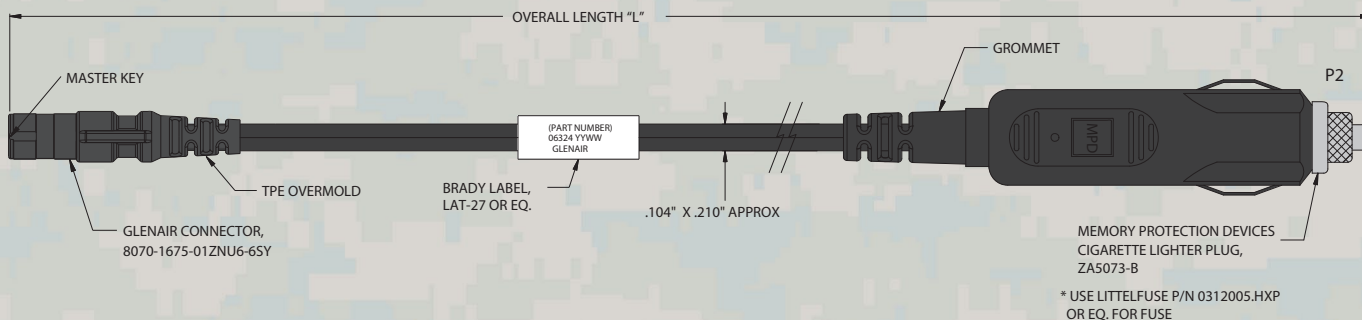


QUALIFIED FOR USE WITH ALL STAR-PAN POWER / DATA HUBS

LIGHT, II, IV, AND VI

HUB PORT DESIGNATOR:

AUX or BATT



BATTLE-TESTED

STAR-PAN™

Power cables and battery adapters

808-064 AC/DC Power Adapter Cable



POWER CABLES AND BATTERY ADAPTERS



AC/DC power adapter cable

SPECIFICATIONS

- For connection of STAR-PAN power / data hubs to standard power outlets
- Worldwide wall outlet compatibility
- Mighty Mouse 807 (NATO standard) connector
- Weight, 110" cable: 590g
- Export classification: ECCN 3A611.x

HOW TO ORDER

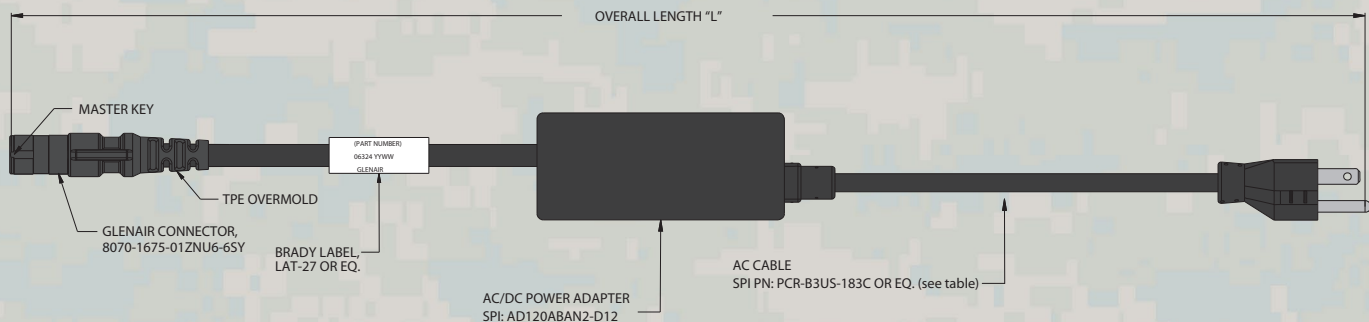
Sample Part Number:	808-064	-EU	-120
Cable Series	AC/DC Power Adapter		
Plug Type Option	US, EU, UK, AU, KR, DM, SW (see code table below)		
Length Designator	In inches Omit for default length of 110.00"		



QUALIFIED FOR USE WITH ALL STAR-PAN POWER / DATA HUBS
LIGHT, II, IV, AND VI

HUB PORT DESIGNATOR:
AUX or BATT

AC Plug Type Option			
Code	P/N	Country / Region	Mating Ref.
US	PCR-B3US-183C	North America (default)	Type B
EU	PCR-B3REU-183B	Europe	Type E/F
UK	PCR-B3UK-183B2	United Kingdom	Type G
AU	PCR-B3AU-183B	Australia	Type I
KR	PCR-BRKR-183B	South Korea	Type F
DM	PCR-B3RDM-183B	Denmark	Type K
SW	PCR-B3SW-183B	Switzerland	Type G

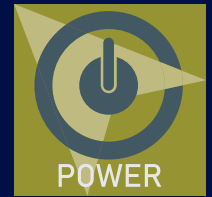


BATTLE-TESTED

STAR-PAN™

Power cables and battery adapters

TS3-060 USB-C PD Downstream Charging Cable



POWER CABLES AND BATTERY ADAPTERS

SPECIFICATIONS

- Places USB-C Power Delivery-capable devices into device mode, and provides a charge current of 2–3A (device and power source-dependent)
- Aluminum housing, black conductive finish
- Santoprene jacketed cable, black, with ergonomic TPE overmolded strain reliefs
- Weight: (consult factory)
- Export classification: ECCN 3A611.x

HOW TO ORDER

Sample Part Number:	TS3-060	-24
Cable Series	USB-C PD downstream charging cable	
Length Option	In Inches. 48.00" max Omit for standard length of 18.00 inches.	

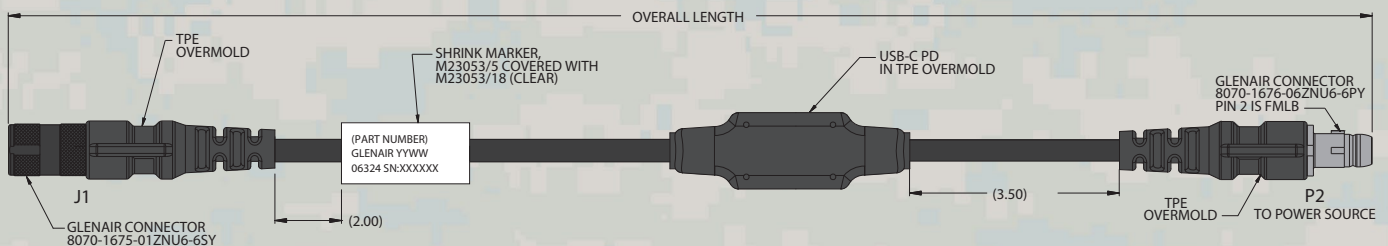


QUALIFIED FOR USE WITH ALL STAR-PAN POWER / DATA HUBS

LIGHT, II, IV, AND VI

HUB PORT DESIGNATOR:

BATT





BATTLE-TESTED

STAR-PAN™

Targeting device cables and adapters

STAR-PAN TARGETING DEVICE CABLES AND BATTERY ADAPTERS

Part No. / Description	NATO Stock No. NSN		Page No.
808-041	5995-01-668-8804	Vector 21 / 23B Cable	105
TS8-494		Vektor 21 / Moskito / Multi-Purpose RS232 Cable	106
808-049	5995-01-693-5683	PLRF 15C / 25C Cable	107
808-212		STERNA True North Finder (TNF) cable	108
808-246	5995-01-684-4726	JIM-LR Cable	109
808-219		JIM Compact Cable	110
TS8-488		JIM Compact P2 Cable, Right-Angle Overmold with Switch	111
808-218		Moskito TI Cable	112
808-251	6150-01-693-7011	Moskito TI RS-232 to USB Converter Cable	113
TS8-427		Moskito TI-SI1 with STERNA Cable	114



Safran Vectronix Vector 21/21B and Moskito Data Cable



PLRF 15C/25C Laser Range Finder Cable



Safran Vectronix STERNA TNF Data Cable

BATTLE-TESTED

STAR-PAN™

Targeting device cables and adapters

808-041 Vector 21 / 23B Cable



For Safran Vectronix
Vector 21/23B and Moskito

SPECIFICATIONS

- For connection of referenced targeting device to STAR-PAN power / data hubs
- Santoprene-jacketed cable and ergonomic TPE overmold
- Trigger assembly with integrated RS-232 to USB conversion circuitry
- Mighty Mouse 807 (NATO standard) hub and P2 peripheral device connectors
- Weight, 54" cable: 205g
- Export classification: ECCN 3A611.x

HOW TO ORDER

Sample Part Number:

808-041

Cable Series

Vector 21/23B/Moskito Data Cable

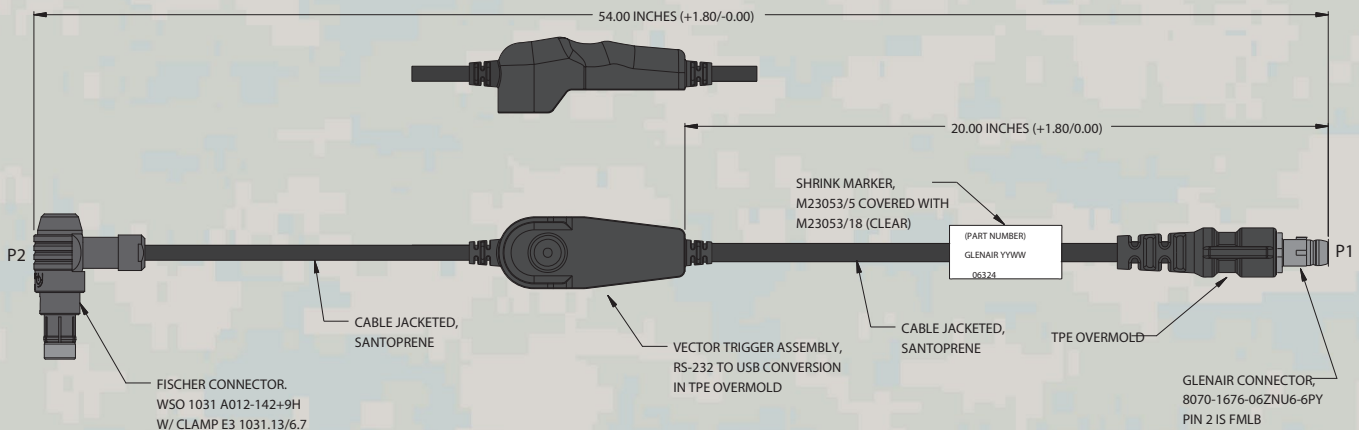


QUALIFIED FOR USE WITH ALL STAR-PAN POWER / DATA HUBS

LIGHT, II, IV, AND VI

HUB PORT DESIGNATOR:

PAN



TARGETING CABLES AND ADAPTERS

BATTLE-TESTED

STAR-PAN™

Targeting device cables and adapters

TS8-494 Vector 21 / Moskito / Multi-Use RS232 cable



TARGETING CABLES AND ADAPTERS

SPECIFICATIONS

- Mutli-Purpose RS232 Cable for connection of TNF targeting devices to STAR-PAN power / data hubs
- Santoprene-jacketed cable and ergonomic TPE overmold
- Trigger assembly with integrated RS-232 to USB conversion circuitry
- Mighty Mouse 807 (NATO standard) hub and P1 peripheral device connectors
- Weight, 54" cable: 205g
- Export classification: ECCN 3A611.x

HOW TO ORDER

Sample Part Number:	TS8-494	-40
Cable Series	Vector 21 / Moskito / RS232 cable	
Length Designator	In inches. Omit for default length of 54"	

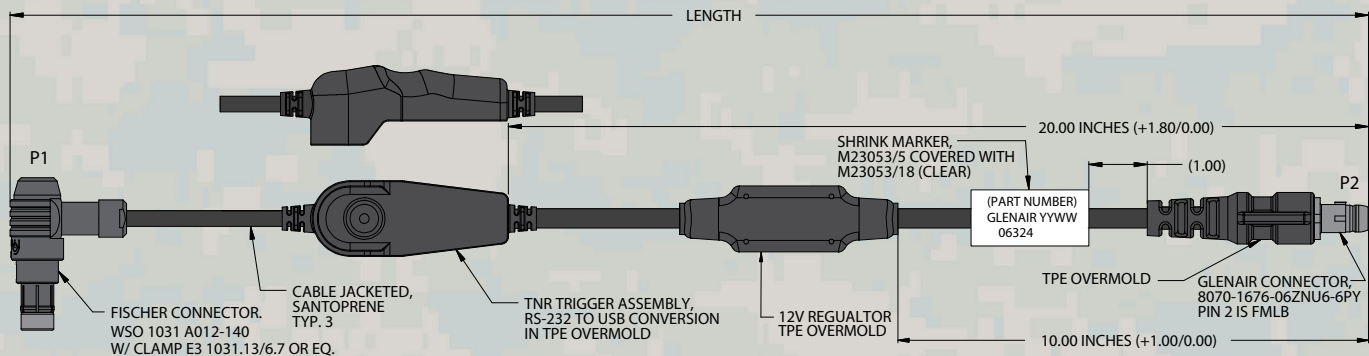


QUALIFIED FOR USE WITH ALL STAR-PAN POWER / DATA HUBS

LIGHT, II, IV, AND VI

HUB PORT DESIGNATOR:

PAN



BATTLE-TESTED

STAR-PAN™

Targeting device cables and adapters

808-049 PLRF 15C / 25C Cable



TARGETING CABLES AND ADAPTERS



**PLRF 15C / 25C
Laser Range Finder Cable**

SPECIFICATIONS

- For connection of referenced targeting device to STAR-PAN power / data hubs
- Santoprene-jacketed cable and ergonomic TPE overmold
- Integrated RS-232 to USB conversion circuitry
- Mighty Mouse 807 (NATO standard) hub and P1 peripheral device connectors
- Weight, 45" cable: 76g
- Export classification: ECCN 3A611.x

HOW TO ORDER

Sample Part Number:	808-049	-50
Cable Series	PLRF 15C/25C Laser Range Finder Cable	
Length Designator	In inches. Omit for default length of 45.00"	

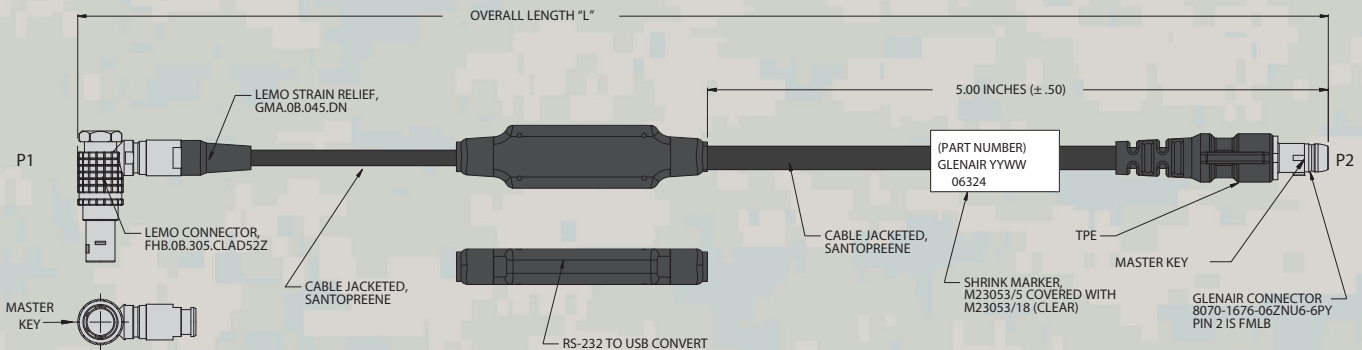


QUALIFIED FOR USE WITH ALL STAR-PAN POWER / DATA HUBS

LIGHT, II, IV, AND VI

HUB PORT DESIGNATOR:

PAN



BATTLE-TESTED

STAR-PAN™

Targeting device cables and adapters

808-212 STERNA True North Finder (TNF) Cable



TARGETING CABLES AND ADAPTERS



STERNA True North Finder (TNF) Cable

SPECIFICATIONS

- For connection of referenced targeting device to STAR-PAN power / data hubs
- Polyurethane-jacketed cable and ergonomic TPU overmold
- Integrated RS-232 to USB conversion circuitry
- Supplies power to STERNA TNF
- Mighty Mouse 807 (NATO standard) hub and P1 peripheral device connectors
- Weight, standard 24" cable: 110g
- Export classification: ECCN 3A611.x

HOW TO ORDER

Sample Part Number:	808-212	-18
Cable Series	STERNA TNF Data Cable	
Length Designator	In inches. Omit for default length of 24.00"	

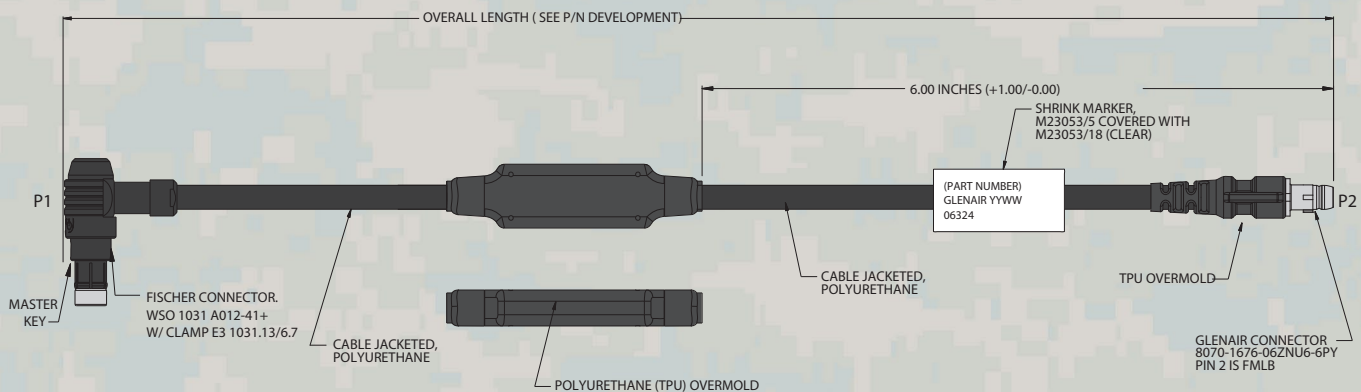


QUALIFIED FOR USE WITH ALL STAR-PAN POWER / DATA HUBS

LIGHT, II, IV, AND VI

HUB PORT DESIGNATOR:

PAN



BATTLE-TESTED

STAR-PAN™

Targeting device cables and adapters

808-246 JIM-LR Cable



JIM-LR Cable

SPECIFICATIONS

- For connection of referenced targeting device to STAR-PAN power / data hubs
- Polyurethane-jacketed cable and ergonomic TPU overmold, black
- Integrated RS-422 to USB conversion circuitry
- Supplies power to JIM-LR
- Mighty Mouse 807 (NATO standard) hub, P2 power and P1 data peripheral device connectors
- Weight, 48" cable: 235g
- Export classification: ECCN 3A611.x

HOW TO ORDER

Sample Part Number:	808-246	-52
Cable Series	STERNA/JIM-LR RS-422 to USB Converter Cable	
Length Designator	In inches, 12" minimum Omit for default length of 48.00"	

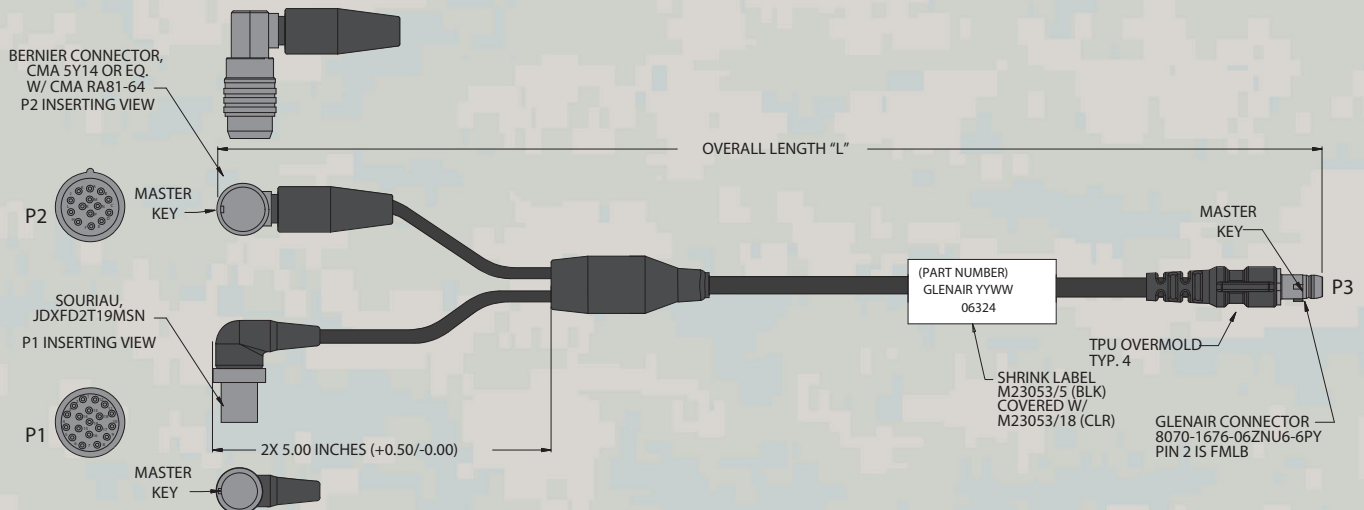


QUALIFIED FOR USE WITH ALL STAR-PAN POWER / DATA HUBS

LIGHT, II, IV, AND VI

HUB PORT DESIGNATOR:

PAN



TARGETING CABLES AND ADAPTERS

BATTLE-TESTED

STAR-PAN™

Targeting device cables and adapters

808-219 JIM Compact Cable



TARGETING CABLES AND ADAPTERS



JIM Compact Cable

SPECIFICATIONS

- For connection of referenced targeting device to STAR-PAN power / data hubs
- Polyurethane-jacketed cable and ergonomic TPE overmold, black
- Integrated Ethernet to USB conversion circuitry
- Mighty Mouse 807 (NATO standard) hub and P1 peripheral device connectors
- Weight, 40" cable: 115g
- Export classification: ECCN 3A611.x

HOW TO ORDER

Sample Part Number:	808-219	-30
Cable Series	JIM Compact Adapter Cable	
Length Designator	In inches. Omit for default length of 40.00"	

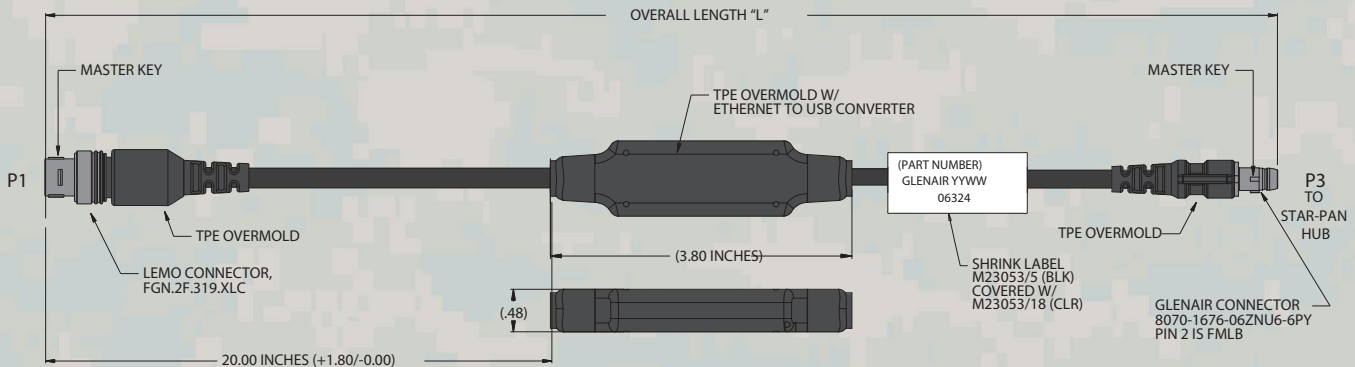


QUALIFIED FOR USE WITH ALL STAR-PAN POWER / DATA HUBS

LIGHT, II, IV, AND VI

HUB PORT DESIGNATOR:

PAN



BATTLE-TESTED

STAR-PAN™

Targeting device cables and adapters

TS8-488 JIM Compact Cable, Right-Angle Overmold with Switch



TARGETING CABLES AND ADAPTERS



JIM Compact Cable with Right-Angle Overmold and Switch

SPECIFICATIONS

- For connection of referenced targeting device to STAR-PAN power / data hubs
- Polyurethane-jacketed cable and ergonomic TPE overmold, black
- Integrated Ethernet to USB conversion circuitry
- Mighty Mouse 807 (NATO standard) hub and J2 peripheral device connectors
- Weight, 60" cable: (consult factory)
- Export classification: ECCN 3A611.x

HOW TO ORDER

Sample Part Number:	TS8-488	-30
Cable Series	JIM Compact Adapter Cable	
Length Designator	In inches. 36" minimum Omit for default length of 60.00"	

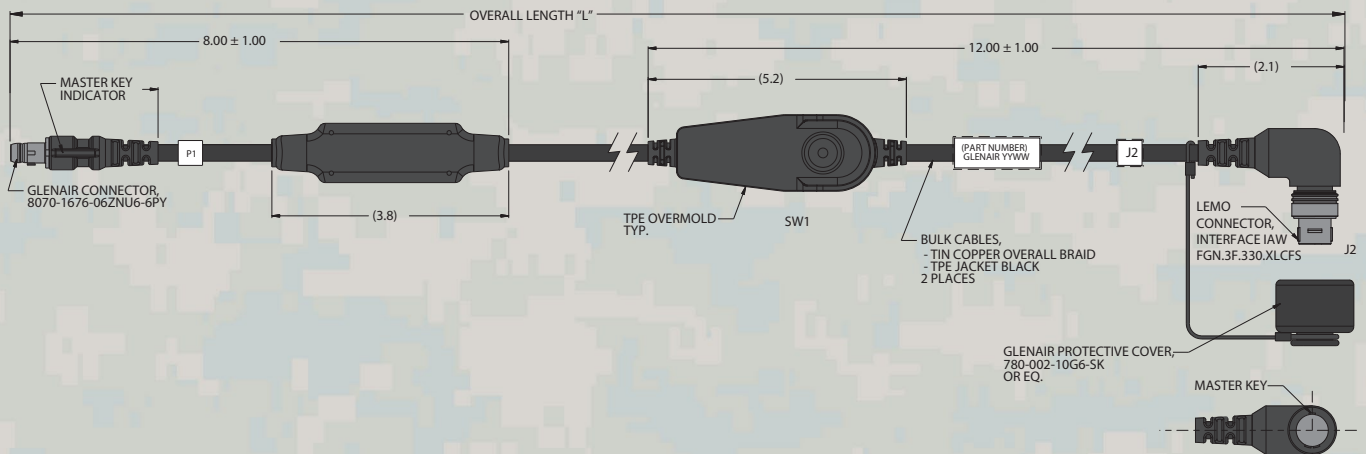


QUALIFIED FOR USE WITH ALL STAR-PAN POWER / DATA HUBS

LIGHT, II, IV, AND VI

HUB PORT DESIGNATOR:

PAN



BATTLE-TESTED

STAR-PAN™

Targeting device cables and adapters 808-218 Moskito TI Cable



TARGETING CABLES AND ADAPTERS



Moskito TI Cable

SPECIFICATIONS

- For connection of referenced targeting device to STAR-PAN power / data hubs
- Polyurethane-jacketed cable and ergonomic TPU overmold, black
- Integrated Ethernet to USB conversion circuitry
- Mighty Mouse 807 (NATO standard) hub and P1/P2 peripheral device connectors
- Weight, 24" cable: 150g
- Export classification: ECCN 3A611.x

HOW TO ORDER

Sample Part Number:	808-218	-30
Cable Series	Moskito TI Cable	
Length Designator	In inches. Omit for default length of 24.00"	

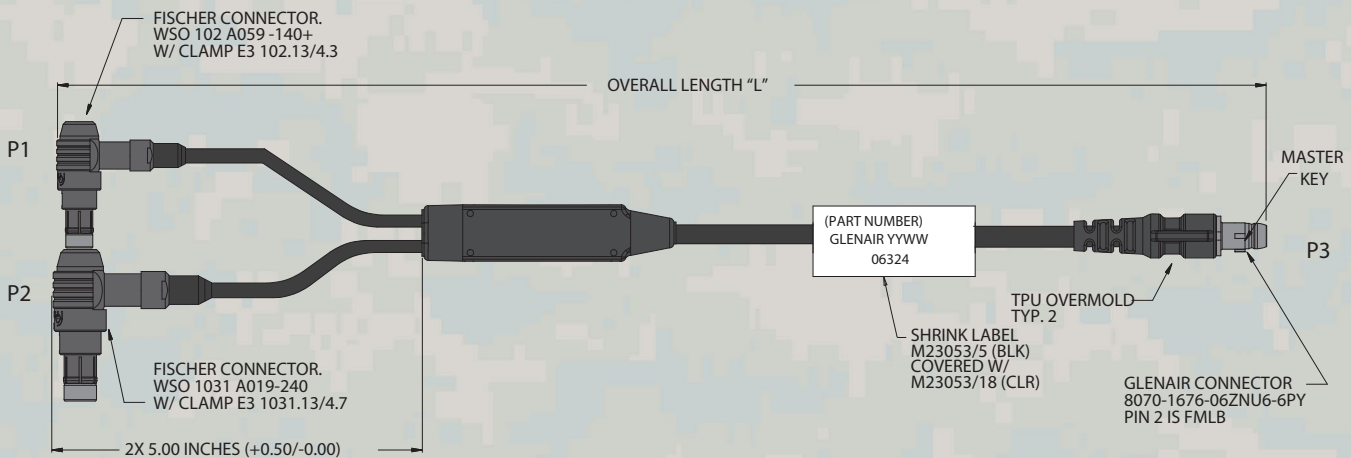


QUALIFIED FOR USE WITH ALL STAR-PAN POWER / DATA HUBS

LIGHT, II, IV, AND VI

HUB PORT DESIGNATOR:

PAN



BATTLE-TESTED

STAR-PAN™

Targeting device cables and adapters

808-251 Moskito TI RS-232 to USB Converter Cable



TARGETING CABLES AND ADAPTERS



Moskito TI Adapter Cable

SPECIFICATIONS

- For connection of referenced targeting device to STAR-PAN power / data hubs
- Polyurethane-jacketed cable and ergonomic TPU overmold, black
- Integrated RS-232 to USB conversion circuitry
- Mighty Mouse 807 (NATO standard) hub and P1 peripheral device connectors
- Weight, 24" cable: 59g
- Export classification: ECCN 3A611.x
- RS-232 and power
- PAN port connection

HOW TO ORDER

Sample Part Number:	808-251	-30
Cable Series	Moskito TI Adapter Cable	
Length Designator	In inches. Omit for default length of 24.00"	

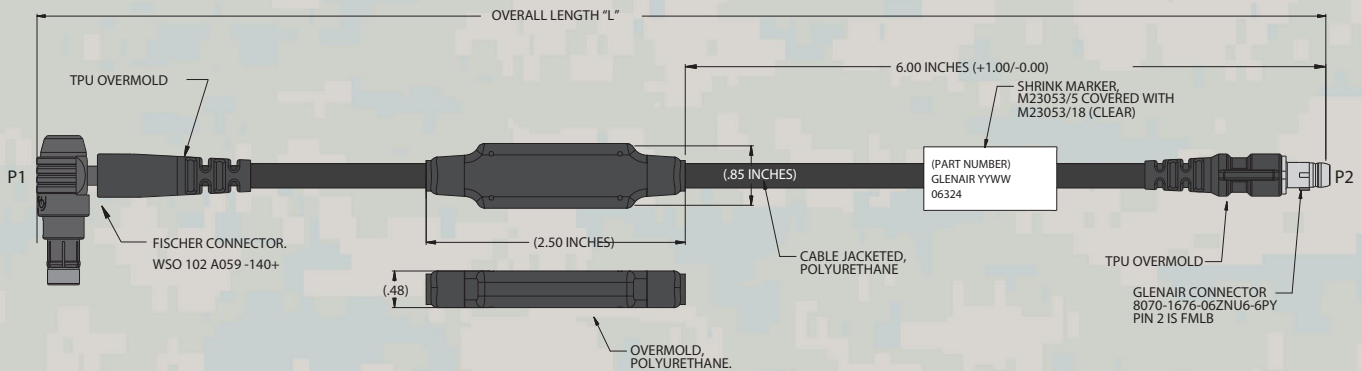


QUALIFIED FOR USE WITH ALL STAR-PAN POWER / DATA HUBS

LIGHT, II, IV, AND VI

HUB PORT DESIGNATOR:

PAN



BATTLE-TESTED

STAR-PAN™

Targeting device cables and adapters

TS8-427 Moskito TI-SI1 with STERNA Cable



TARGETING CABLES AND ADAPTERS



Moskito TI-SI1 with STERNA Cable

SPECIFICATIONS

- For connection of referenced targeting device to STAR-PAN power / data hubs
- Polyurethane-jacketed cable and ergonomic TPU overmold, black
- Integrated RS-232 to USB conversion circuitry
- Mighty Mouse 807 (NATO standard) hub and P1/P2 peripheral device connectors
- Weight: (consult factory)
- Export classification: ECCN 3A611.x

HOW TO ORDER

Sample Part Number:

TS8-427

Cable Series

Moskito TI - SI1 with STERNA cable

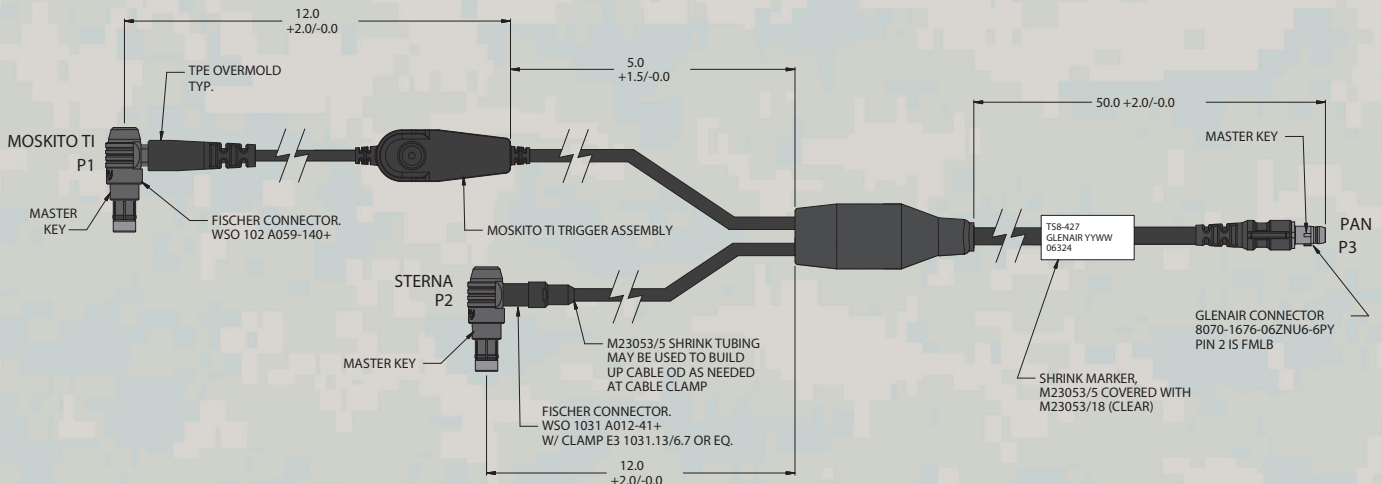


QUALIFIED FOR USE WITH ALL STAR-PAN POWER / DATA HUBS

LIGHT, II, IV, AND VI

HUB PORT DESIGNATOR:

PAN





BATTLE-TESTED

STAR-PAN™

Video downlink, GPS, and auxiliary device cables

VIDEO / GPS POWER AND DATA CABLES

Part No. / Description	NATO Stock No. NSN		Page No.
808-040	5995-01-668-8854	DAGR GPS Cable	116
808-045		TacROVER-P SIR 2.0 Cable	117
808-068		TacROVER-P SIR 2.5 Cable	118
808-043	5995-01-693-7025	TacROVER-P SIR 2.5 Video Cable	119
808-082	5995-01-693-6951	TacROVER-E SIR 2.5 Cable	120
808-067	5995-01-693-7053	TacROVER-P SIR 2.5 Cable	121
TS8-463U		TacROVER-E SIR 2.5 Cable with "U" Bend	122
808-152		TacROVER-P SIR 2.5 with TAC-EYE Cable	123
808-151		Tactical Net Rover Cable	124
TS8-404		Tactical Net Rover Cable with TAC-EYE Adapter	125
808-171		Tactical Net Rover Cable with Thru Power	126
TS1-037		Cable for use with 808-151 and TS8-404 Tactical Net Rover Cables	127
808-224	5995-01-683-6023	StrikeHawk Digital Cable	128
TS8-424		Remote Secure Receiver-to-PAN Port Cable	129
TS8-467		Teledyne FLIR BH3 Hangar Cable, Power and Data	130
TS3-072		MOHOC IP Camera Cable	131

BATTLE-TESTED

STAR-PAN™

Video downlink, GPS, and auxiliary device cables

808-040 DAGR GPS Cable



VIDEO / GPS AND AUXILIARY CABLES



**DAGR GPS and
Micro DAGR-V
Cable**

SPECIFICATIONS

- For interconnection of C4ISR peripheral to STAR-PAN power / data hubs
- Integrated RS-232 to USB conversion circuitry
- Nomex® braid, olive drab; and black Santoprene wire protection. Consult factory for other cable finish options.
- Overmolded, ergonomic connector strain reliefs.
- Black zinc-nickel stainless steel thumbscrew
- Mighty Mouse 807 (NATO standard) connectors and custom DAGR PC and power connectors
- Weight, 24" cable: 104g
- Export classification: 3A611.x

HOW TO ORDER

Sample Part Number:	808-040	-36
Cable Series	DAGR GPS Cable	
Length Designator	In inches Omit for default length of 32.00"	

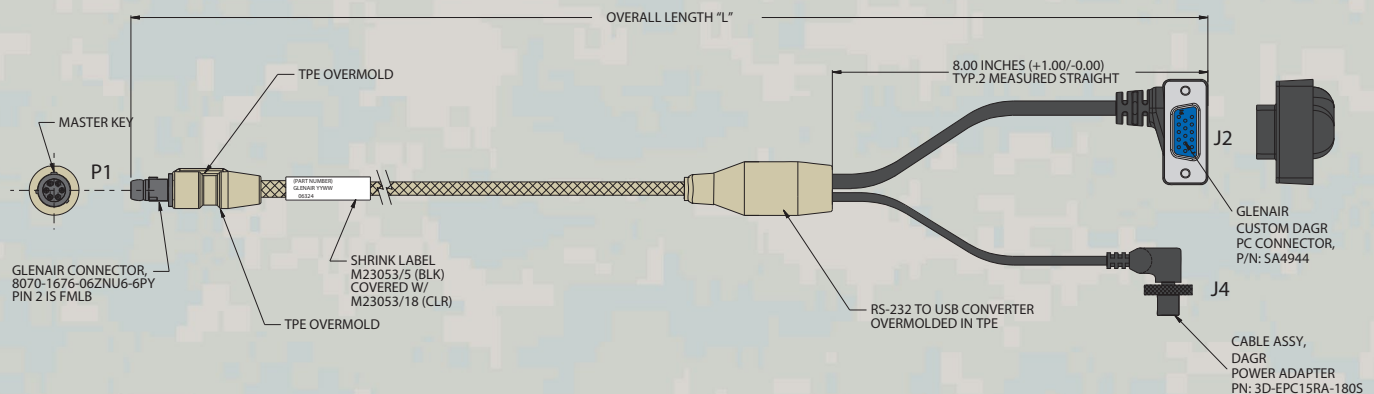


QUALIFIED FOR USE WITH ALL STAR-PAN POWER / DATA HUBS

LIGHT, II, IV, AND VI

HUB PORT DESIGNATOR:

PAN



BATTLE-TESTED

STAR-PAN™

Video downlink, GPS, and auxiliary device cables

808-045 TacROVER-P SIR 2.0 Cable



VIDEO / GPS AND AUXILIARY CABLES



TacROVER-P SIR 2.0 Cable

SPECIFICATIONS

- For interconnection of C4ISR peripheral to STAR-PAN power / data hubs
- Integrated Ethernet to USB conversion circuitry
- Nomex® braid, olive drab and TPE jacketed cable, black
- Overmolded, ergonomic connector strain reliefs.
- Mighty Mouse 807 (NATO standard) and 803 (bayonet-lock) connectors.
- Weight, 32" cable: 104g
- Export classification: 3A611.x

HOW TO ORDER

Sample Part Number:	808-045	-36
Cable Series	TacROVER-P SIR 2.0 Cable	
Length Designator	In inches Omit for default length of 32.00"	

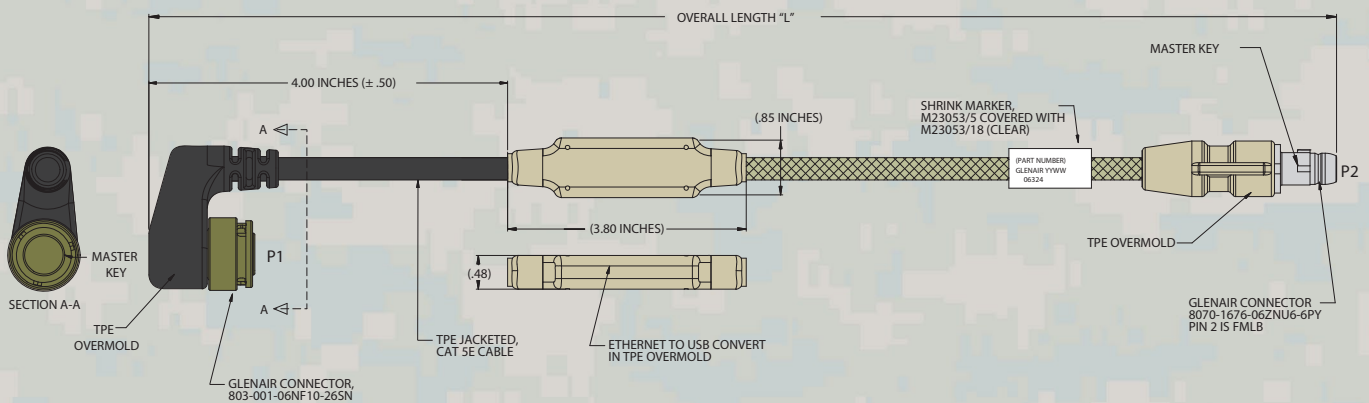


QUALIFIED FOR USE WITH ALL STAR-PAN POWER / DATA HUBS

LIGHT, II, IV, AND VI

HUB PORT DESIGNATOR:

PAN



BATTLE-TESTED

STAR-PAN™

Video downlink, GPS, and auxiliary device cables

808-068 TacROVER-P SIR 2.5 Cable



VIDEO / GPS AND AUXILIARY CABLES



TacROVER-P and -e SIR 2.5 Cable

SPECIFICATIONS

- For interconnection of C4ISR peripheral to STAR-PAN power / data hubs
- Nomex® braided cable, olive drab
- Overmolded, ergonomic connector strain reliefs, desert tan.
- Mighty Mouse 807 (NATO standard) connectors and P2 peripheral device connector
- Weight, 6" cable: (consult factory)
- Export classification: 3A611.x

HOW TO ORDER

Sample Part Number:	808-068	-8
Cable Series	TacROVER-E SIR 2.5 Cable	
Length Designator	In inches. 6.00" minimum	

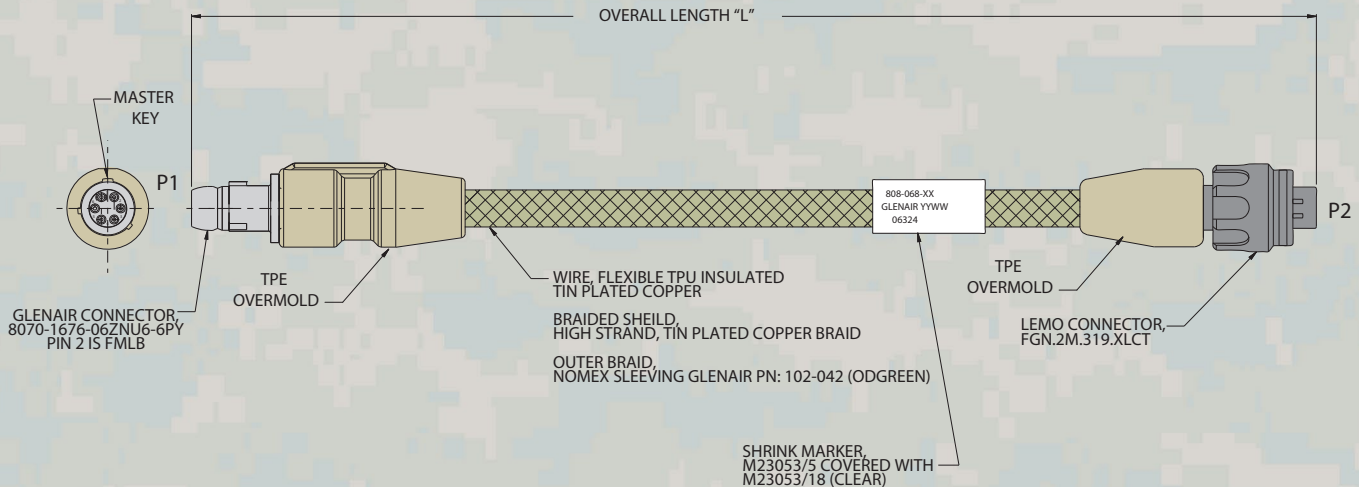


QUALIFIED FOR USE WITH ALL STAR-PAN POWER / DATA HUBS

LIGHT, II, IV, AND VI

HUB PORT DESIGNATOR:

PAN



BATTLE-TESTED

STAR-PAN™

Video downlink, GPS, and auxiliary device cables 808-043 TacROVER-P SIR 2.5 Video Cable



VIDEO / GPS AND AUXILIARY CABLES



TacROVER-P and -e SIR 2.5 Cable

SPECIFICATIONS

- For interconnection of C4ISR peripheral to STAR-PAN power / data hubs
- Nomex® braid, olive drab
- Overmolded, ergonomic connector strain reliefs, desert tan.
- Mighty Mouse 807 (NATO standard) connectors and P2 peripheral device connector
- Weight, 24" cable: 70g
- Export classification: 3A611.x

HOW TO ORDER

Sample Part Number:	808-043	-36
Cable Series	TacROVER-P and -e SIR 2.5 Cable	
Length Designator	In inches Omit for default length of 24.00"	

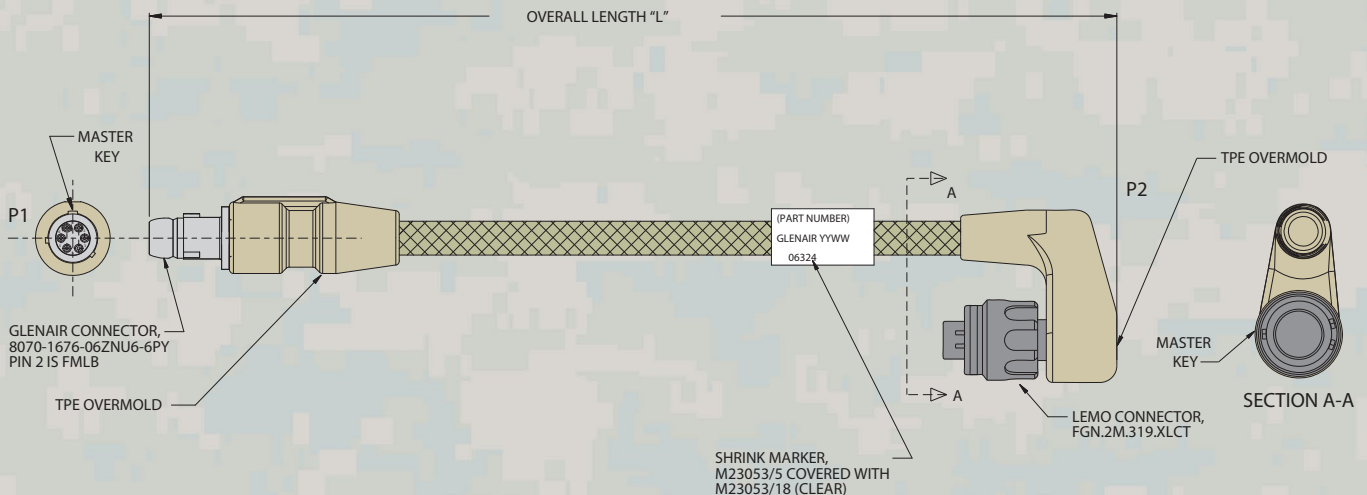


QUALIFIED FOR USE WITH ALL STAR-PAN POWER / DATA HUBS

LIGHT, II, IV, AND VI

HUB PORT DESIGNATOR:

PAN



BATTLE-TESTED

STAR-PAN™

Video downlink, GPS, and auxiliary device cables

808-082 TacROVER-E SIR 2.5 Cable



VIDEO / GPS AND AUXILIARY CABLES



TacROVER-E SIR 2.5 Cable

SPECIFICATIONS

- For interconnection of C4ISR peripheral to STAR-PAN power / data hubs
- Integrated Ethernet to USB conversion circuitry
- Nomex® braid, olive drab and Santoprene jacketed cable, black
- Overmolded, ergonomic connector strain reliefs.
- Mighty Mouse 807 (NATO standard) connectors and P2 peripheral device connector
- Weight, 33" cable: (consult factory)
- Export classification: 3A611.x

HOW TO ORDER

Sample Part Number:	808-082	-U	-40
Cable Series	TacROVER-P SIR 2.5 Cable		
P2 Bend Option	U = "U" Bend, P2 Connector Side Omit for straight cable		
Length Designator	In inches Omit for default length of 33.00"		

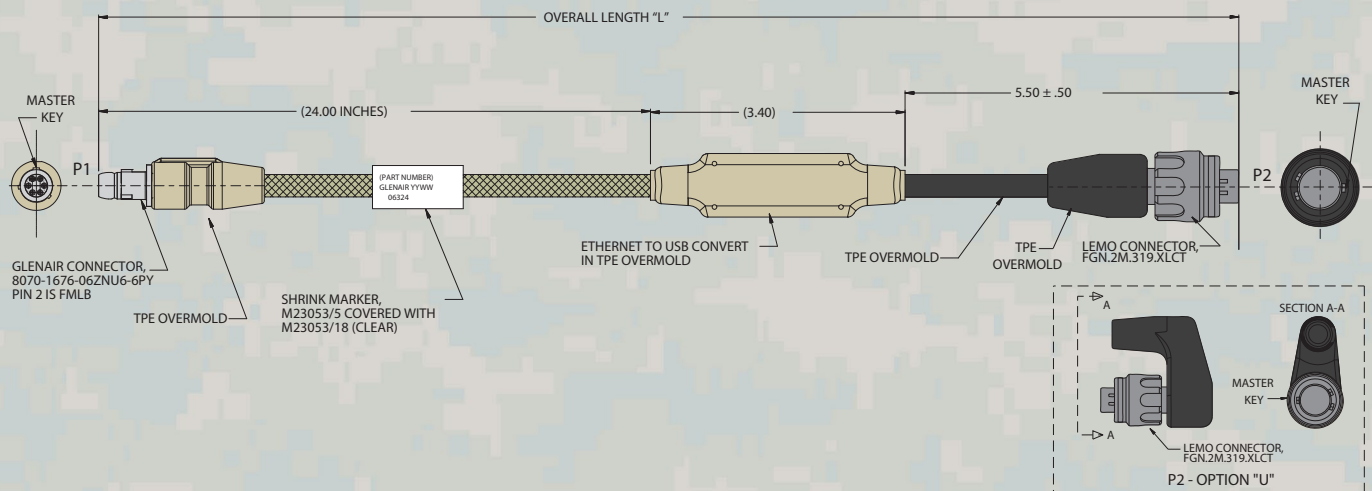


QUALIFIED FOR USE WITH ALL STAR-PAN POWER / DATA HUBS

LIGHT, II, IV, AND VI

HUB PORT DESIGNATOR:

PAN



BATTLE-TESTED

STAR-PAN™

Video downlink, GPS, and auxiliary device cables 808-067 TacROVER-P SIR 2.5 Cable



VIDEO / GPS AND AUXILIARY CABLES



TacROVER-P SIR 2.5 Cable

SPECIFICATIONS

- For interconnection of C4ISR peripheral to STAR-PAN power / data hubs
- Integrated Ethernet to USB conversion circuitry
- Provides power to device
- Nomex® braid, olive drab and Santoprene jacketed cable, black
- Overmolded, ergonomic connector strain reliefs.
- Mighty Mouse 807 (NATO standard) connectors and P2 peripheral device connector
- Weight, 33" cable: 106g
- Export classification: 3A611.x

HOW TO ORDER

Sample Part Number:	808-067	-U	-40
Cable Series	TacROVER-P SIR 2.5 Cable		
P2 Bend Option	U = "U" Bend, P2 Connector Side Omit for straight cable		
Length Designator	In inches Omit for default length of 33.00"		

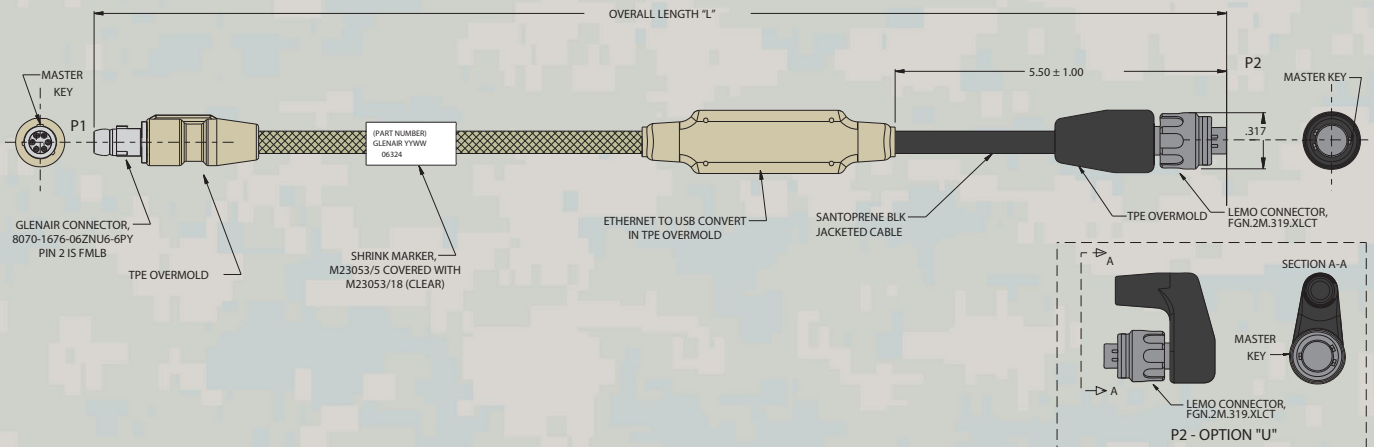


QUALIFIED FOR USE WITH ALL STAR-PAN POWER / DATA HUBS

LIGHT, II, IV, AND VI

HUB PORT DESIGNATOR:

PAN



BATTLE-TESTED

STAR-PAN™

Video downlink, GPS, and auxiliary device cables
TS8-463-U TacROVER-E SIR 2.5 Cable (“U” Bend)



VIDEO / GPS AND AUXILIARY CABLES



**TacROVER-E SIR 2.5 Cable,
 “U” bend**

SPECIFICATIONS

- For interconnection of C4ISR peripheral to STAR-PAN power / data hubs
- Integrated Ethernet to USB conversion circuitry
- Provides power to device
- Santoprene jacketed cable, black
- Overmolded, ergonomic connector strain reliefs.
- Mighty Mouse 807 (NATO standard) connectors and P3 peripheral device connector
- Export classification: ECCN 3A611.x

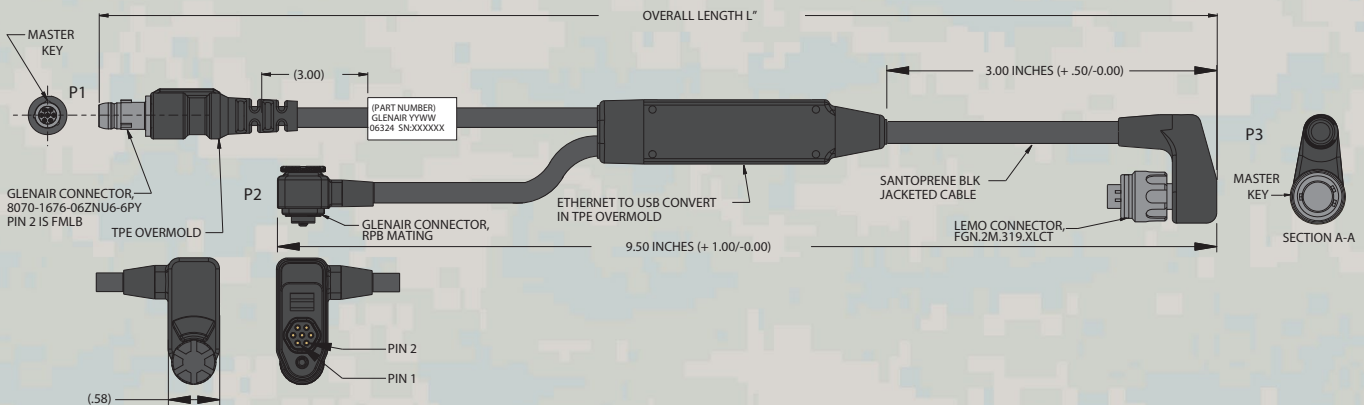
HOW TO ORDER

Sample Part Number:	TS8-463	-U	-30
Cable Series	TacROVER-E SIR 2.5 with RPB Option		
P2 Bend Option	-U = “U” Bend, P2 Connector Side		
Length Designator	In inches Omit for default length of 20.00"		



QUALIFIED FOR USE WITH ALL STAR-PAN POWER / DATA HUBS
LIGHT, II, IV, AND VI

HUB PORT DESIGNATOR:
PAN



BATTLE-TESTED

STAR-PAN™

Video downlink, GPS, and auxiliary device cables
808-152 TacROVER-P SIR 2.5 with TAC-EYE Cable



VIDEO / GPS AND AUXILIARY CABLES



TacROVER-P SIR 2.5 with TAC-EYE Cable

SPECIFICATIONS

- For interconnection of C4ISR peripheral to STAR-PAN power / data hubs
- Integrated Ethernet to USB conversion circuitry
- Provides power to device
- Nomex® braid, olive drab and Santoprene jacketed cable, black
- Overmolded, ergonomic connector strain reliefs, desert tan.
- Mighty Mouse 807 (NATO standard) connectors and P2 peripheral device connector
- Weight, 24" cable: 108g
- Export classification: ECCN 3A611.x
- Composite video to TAC-EYE

HOW TO ORDER

Sample Part Number:	808-152	-U	-30
Cable Series	TacROVER-P SIR 2.5 with TAC-EYE Cable		
P2 Bend Option	U = "U" Bend, P2 Connector Side Omit for straight cable		
Length Designator	In inches Omit for default length of 24.00"		

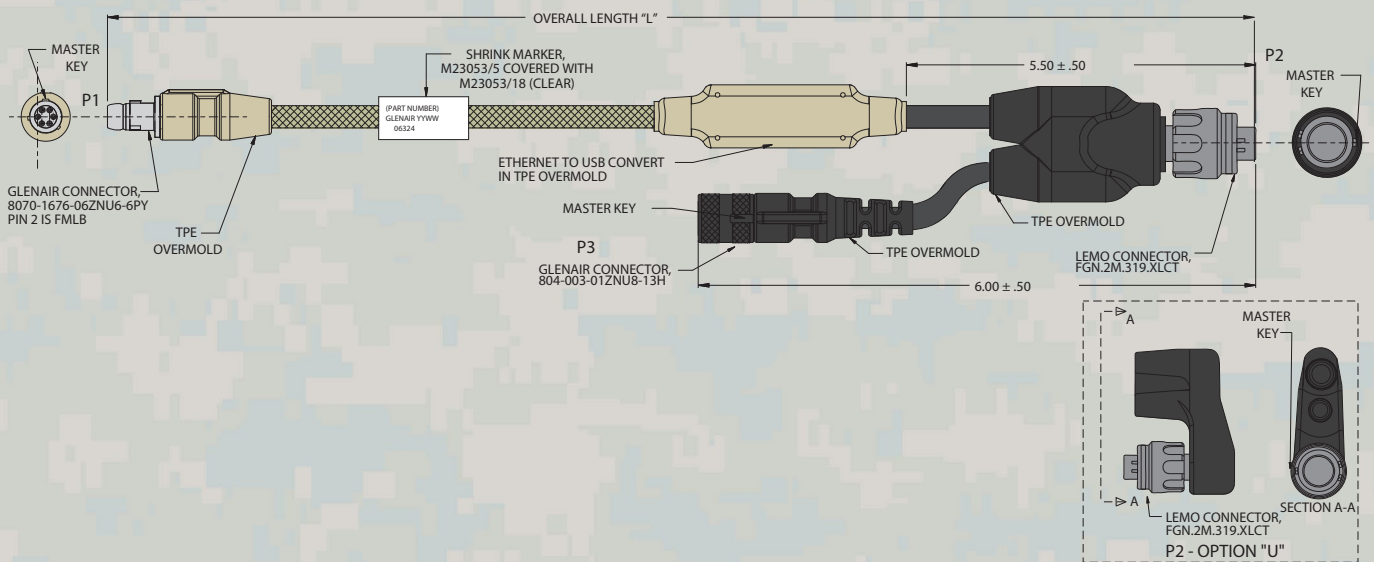


QUALIFIED FOR USE WITH ALL STAR-PAN POWER / DATA HUBS

LIGHT, II, IV, AND VI

HUB PORT DESIGNATOR:

PAN



BATTLE-TESTED

STAR-PAN™

Video downlink, GPS, and auxiliary device cables 808-151 Tactical Net Rover Cable



VIDEO / GPS AND AUXILIARY CABLES



**Tactical Net Rover (TNR)
Cable**

SPECIFICATIONS

- For interconnection of C4ISR peripheral to STAR-PAN power / data hubs
- Integrated Ethernet to USB conversion circuitry
- Nomex® braid, olive drab and Santoprene jacketed cable, black
- Overmolded, ergonomic connector strain reliefs, desert tan.
- Aluminum housing, black zinc-nickel finish
- Black stainless steel thumbscrew
- Mighty Mouse 807 (NATO standard) connectors.
- Weight, 24" cable: 112g
- Export classification: ECCN 3A611.x
- With Radio Power Boost (RPB)

HOW TO ORDER

Sample Part Number:	808-151	-28
Cable Series	TNR Cable with RPB Option	
Length Designator	In inches Omit for default length of 24.00"	



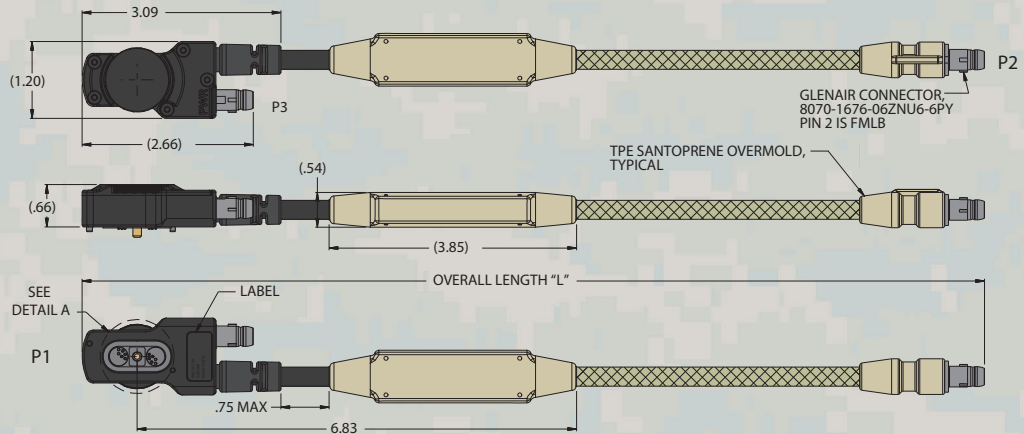
QUALIFIED FOR USE WITH ALL STAR-PAN POWER / DATA HUBS

LIGHT, II, IV, AND VI

HUB PORT DESIGNATOR:

PAN

RADIO POWER BOOST



BATTLE-TESTED

STAR-PAN™

Video downlink, GPS, and auxiliary device cables

TS8-404 Tactical Net Rover cable with RPB and TAC-EYE Adapter



**Tactical Net Rover (TNR)
Cable with RPB and TAC-EYE
Adapter**

SPECIFICATIONS

- For interconnection of C4ISR peripheral to STAR-PAN power / data hubs
- Integrated Ethernet to USB conversion circuitry
- Santoprene jacketed cable, black
- Overmolded, ergonomic connector strain reliefs, black.
- Aluminum housing, black zinc-nickel finish
- Black stainless steel thumbscrew
- Mighty Mouse 807 (NATO standard) connectors.
- Weight, 24" cable, (consult factory)
- Export classification: ECCN 3A611.x

HOW TO ORDER

Sample Part Number:	TS8-404	-28
Cable Series	TNR Cable with RPB Option	
Length Designator	In inches Omit for default length of 24.00"	



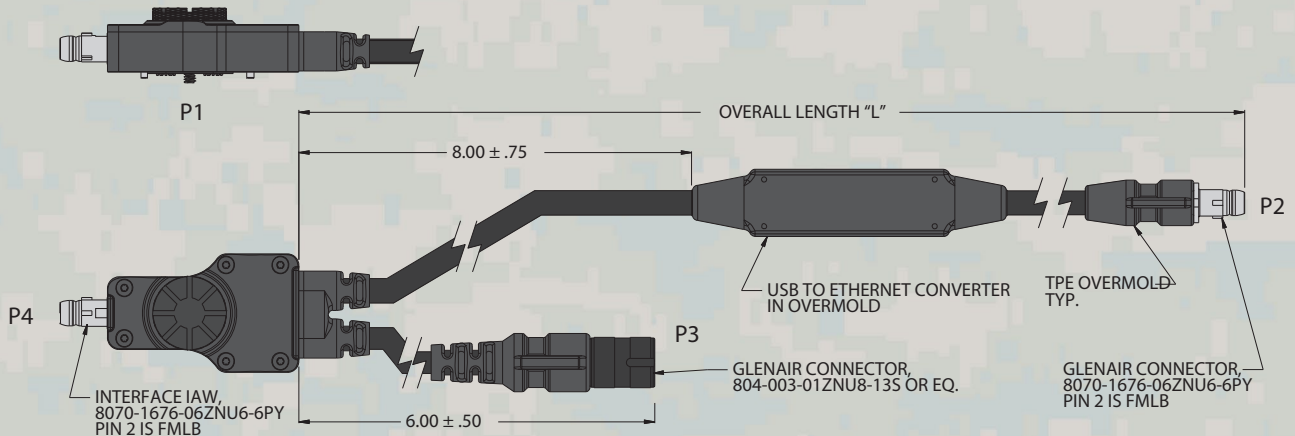
QUALIFIED FOR USE WITH ALL STAR-PAN POWER / DATA HUBS

LIGHT, II, IV, AND VI

HUB PORT DESIGNATOR:

PAN

RADIO POWER BOOST



VIDEO / GPS AND AUXILIARY CABLES

BATTLE-TESTED

STAR-PAN™

Video downlink, GPS, and auxiliary device cables

808-171 Tactical Net Rover cable, 6-6 Plug with Thru Power



VIDEO / GPS AND AUXILIARY CABLES



**Tactical Net Rover (TNR)
Cable with Thru Power**

SPECIFICATIONS

- For interconnection of C4ISR peripheral to STAR-PAN power / data hubs
- Integrated Ethernet to USB conversion circuitry
- Nomex® braid, olive drab and Santoprene jacketed cable, black
- Overmolded, ergonomic connector strain reliefs, desert tan.
- Aluminum housing, black zinc-nickel finish
- Black stainless steel thumbscrew
- Mighty Mouse 807 (NATO standard) connectors.
- Weight, 24" cable: 112g
- Export classification: ECCN 3A611.x
- With Thru Power

HOW TO ORDER

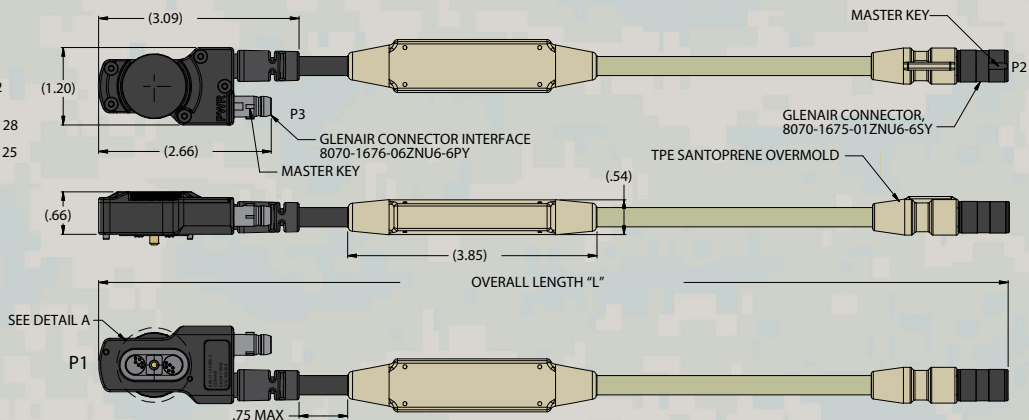
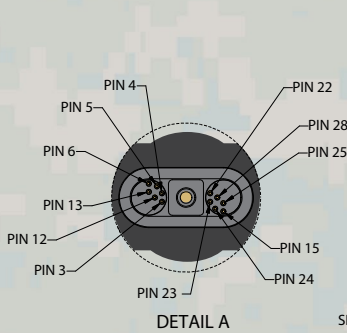
Sample Part Number:	808-171	-28
Cable Series	TNR Cable, RPB Required for Use	
Length Designator	In inches Omit for default length of 24.00"	



QUALIFIED FOR USE WITH ALL STAR-PAN POWER / DATA HUBS

LIGHT, II, IV, AND VI

HUB PORT DESIGNATOR:
RADIO



BATTLE-TESTED
STAR-PAN™

Video downlink, GPS, and auxiliary device cables

TS1-037 cable for use with 808-151, 808-171, TS8-404 TNR cables



VIDEO / GPS AND AUXILIARY CABLES



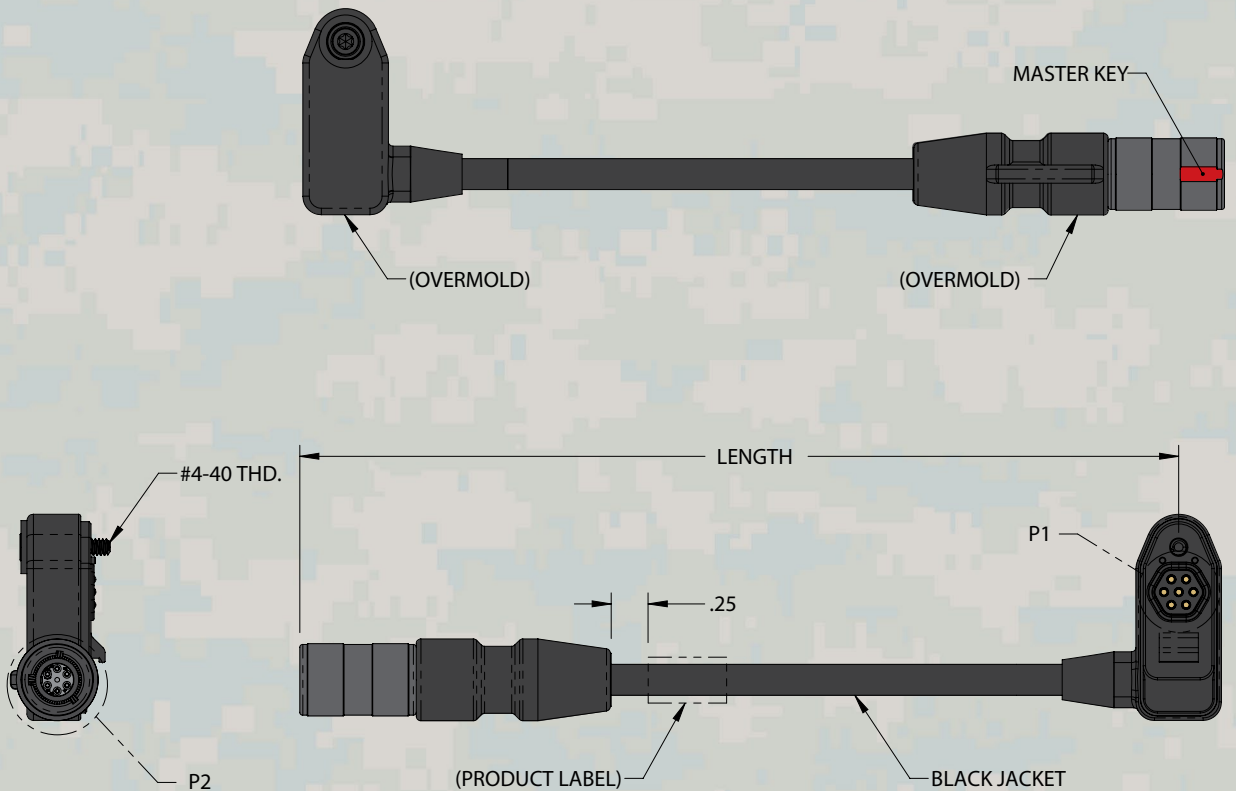
808-151 and TS8-404
connector cable

SPECIFICATIONS

- For interconnection of 808-151 and TS8-404 TNR cables
- Santoprene jacketed cable, black
- Overmolded, ergonomic connector strain reliefs, black.
- Aluminum housing, black zinc-nickel finish
- Black stainless steel thumbscrew
- Mighty Mouse 807 (NATO standard) connector.

HOW TO ORDER

Sample Part Number:	TS1-037	-4
Cable Series	Adapter cable for TNR cables	
Length Designator	In inches Default length is 5.50". Use -4 for optimized compatibility with TNR cables	



BATTLE-TESTED

STAR-PAN™

Video downlink, GPS, and auxiliary device cables 808-224 StrikeHawk Digital Cable



VIDEO / GPS AND AUXILIARY CABLES



StrikeHawk Digital Cable

SPECIFICATIONS

- For interconnection of C4ISR peripheral to STAR-PAN power / data hubs
- Integrated Ethernet to USB conversion circuitry
- Nomex® braid, olive drab and Santoprene jacketed cable, black
- Overmolded, ergonomic connector strain reliefs, desert tan.
- Mighty Mouse 807 (NATO standard) connector and P2 peripheral device connector.
- Weight, 24" cable: 100g
- Export classification: ECCN 3A611.x

HOW TO ORDER

Sample Part Number:	808-224	-28
Cable Series	StrikeHawk Digital cable	
Length Designator	In inches Omit for default length of 24.00"	

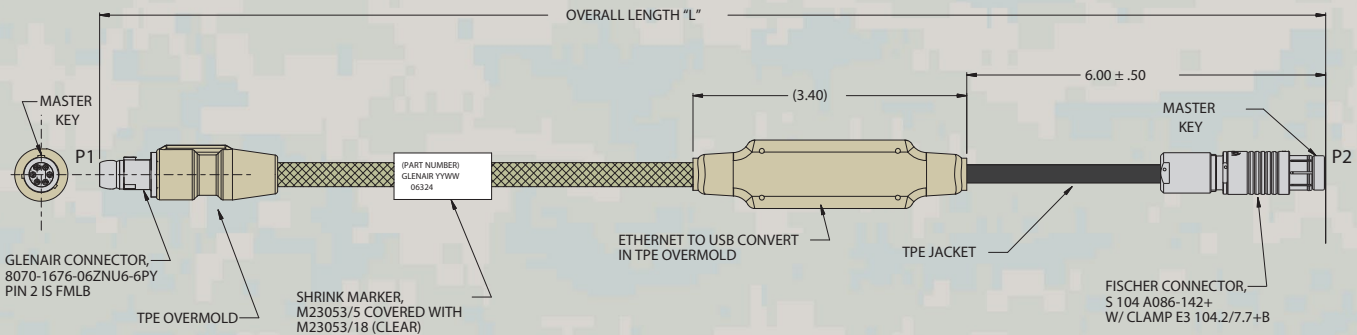


QUALIFIED FOR USE WITH ALL STAR-PAN POWER / DATA HUBS

LIGHT, II, IV, AND VI

HUB PORT DESIGNATOR:

PAN



BATTLE-TESTED

STAR-PAN™

Video downlink, GPS, and auxiliary device cables

TS8-424 Remote Secure Receiver-to-PAN Port Cable



VIDEO / GPS AND AUXILIARY CABLES



RSR-to-PAN Cable

SPECIFICATIONS

- For interconnection of C4ISR peripheral to STAR-PAN power / data hubs
- Santoprene jacketed cable, black
- Overmolded, ergonomic connector strain reliefs, black.
- Mighty Mouse 807 (NATO standard) connector and P1 RSR peripheral connectors
- Weight, 30" cable, (consult factory)
- Export classification: ECCN 3A611.x

HOW TO ORDER

Sample Part Number:	TS8-424	-40
Cable Series	Remote Secure Receiver to PAN Port cable	
Length Designator	In inches. Minimum length 24", maximum 180" Omit for default length of 30.00"	

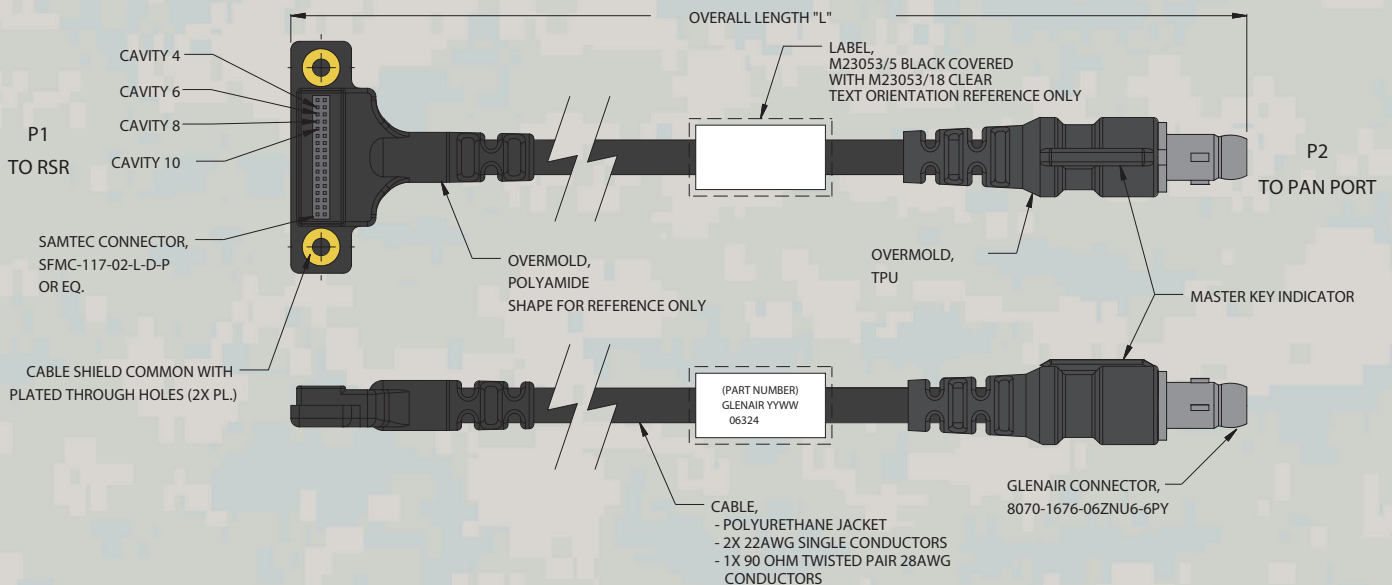


QUALIFIED FOR USE WITH ALL STAR-PAN POWER / DATA HUBS

LIGHT, II, IV, AND VI

HUB PORT DESIGNATOR:

PAN



BATTLE-TESTED

STAR-PAN™

Video downlink, GPS, and auxiliary device cables

TS8-467 Teledyne FLIR BH3 Hangar cable, power and data



VIDEO / GPS AND AUXILIARY CABLES



Teledyne FLIR Black Hornet® PRS hangar cable

SPECIFICATIONS

- For interconnection of C4ISR peripheral to STAR-PAN power / data hubs
- Integrated Ethernet to USB conversion circuitry
- Santoprene jacketed cable, black
- Overmolded, ergonomic connector strain reliefs, black.
- Aluminum housing, black zinc-nickel finish
- Black stainless steel thumbscrew
- Mighty Mouse 807 (NATO standard) connector and P1/P2 peripheral connectors
- Weight, 34" cable, (consult factory)
- Export classification: ECCN 3A611.x

HOW TO ORDER

Sample Part Number:	TS8-467	-24
Cable Series	Teledyne FLIR BH3 Hangar cable	
Length Designator	In inches Omit for default length of 34.00"	

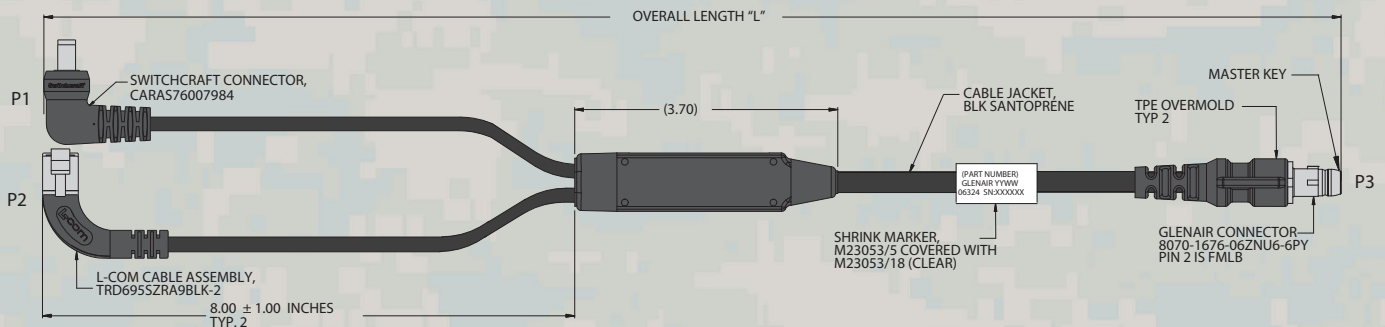


QUALIFIED FOR USE WITH ALL STAR-PAN POWER / DATA HUBS

LIGHT, II, IV, AND VI

HUB PORT DESIGNATOR:

PAN



BATTLE-TESTED

STAR-PAN™

Video downlink, GPS, and auxiliary device cables TS3-072 MOHOC IP Camera Cable



VIDEO / GPS AND AUXILIARY CABLES

SPECIFICATIONS

- For interconnection of C4ISR peripheral to STAR-PAN power / data hubs
- TPE jacketed cable, black
- Overmolded, ergonomic connector strain reliefs, black.
- Mighty Mouse 807 (NATO standard) connectors
- Weight, 24" cable, (consult factory)
- Export classification: ECCN 3A611.x

HOW TO ORDER

Sample Part Number:	TS3-072	-18
Cable Series	Remote Secure Receiver to PAN Port cable	
Length Designator	In inches. Omit for default length of 24.00"	

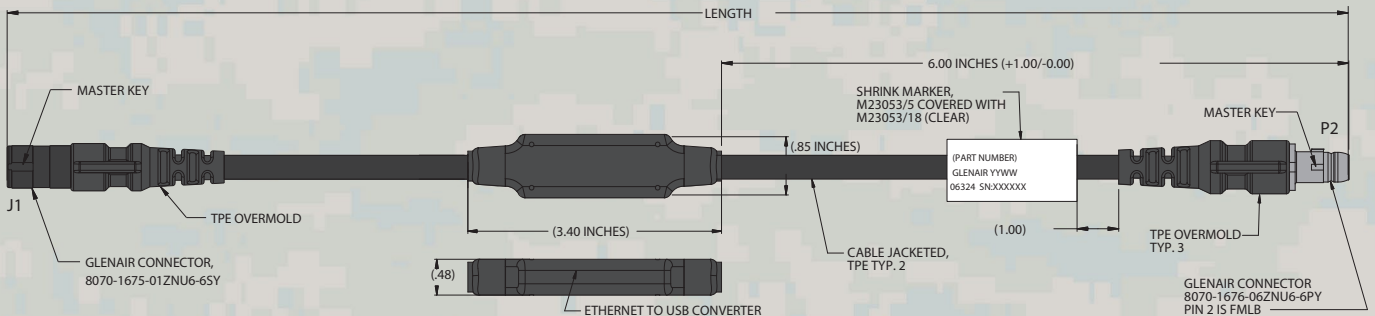


QUALIFIED FOR USE WITH ALL STAR-PAN POWER / DATA HUBS

LIGHT, II, IV, AND VI

HUB PORT DESIGNATOR:

PAN





BATTLE-TESTED

STAR-PAN™

Host/EUD cables and adapters

STAR-PAN-TO-HOST/EUD CABLES, ADAPTERS, AND ACCESSORIES

Part No.	NATO Stock No. NSN	Description	Page No.
808-101	5995-01-683-8691	Panasonic® Toughpad® FZ-M1/FZ-B2 Adapter	133
808-103	5935-01-683-8596	Toughpad® FZ-M1/FZ-B2 Adapter with Cable	134
TS3-003		TS3-003 Panasonic® FZ-M1 Voltage-Regulated Adapter Cable	135
808-281	5995-01-683-1103	Juggernaut QD USB-C Host Cable with Power Delivery	136
TS1-020		Juggernaut USB-C to Mighty Mouse Plug cable	137
TS3-052		Juggernaut USB-C Charging Cable with Power Delivery	138
TS1-095		6P7 Receptacle-to-Receptacle Cable	139
TS1-096		6P7 Plug-to-Plug Cable	140
TS1-081		Juggernaut S21 IMPCT USB-C to Mighty Mouse Plug cable	141
808-135	5995-01-668-8832	USB-C Cable	142
808-232	5995-01-688-2121	USB-C Host Cable with Power Delivery	143
808-102		USB On-The-Go Cable	144
808-096, -160, -271		Host Mode OTG Adapters	145
8071-3628	5935-01-682-9578	Host Mode OTG Adapter, USB Detect, Grounded ID Pin	146
TS1-034		USB-C Host Mode Adapter	147
TS1-009		USB-C Charge Adapter	148
808-259	5935-01-688-2146	Gender Changer Adapter (plug connectors)	149
808-260		Gender Changer Adapter (receptacle connectors)	150
808-080		STAR-PAN IV Radio Adapter	151
808-274		6-6 Plug-to-Plug cable	152
TS1-106		USB-C to Mighty Mouse-Interfaced Device Cable	153

BATTLE-TESTED

STAR-PAN™

Host/EUD cables, adapters, and accessories

808-101 Panasonic® Toughpad® FZ-M1 Adapter



Toughpad® FZ-M1 / FZ-B2 Adapter

SPECIFICATIONS

- For interconnection of End User Device to STAR-PAN power / data hubs
- Aluminum alloy construction, black zinc-nickel finish.
- Mighty Mouse 807 (NATO standard) connector
- Weight: 62g
- Export classification: 3A611.x

HOW TO ORDER

Part Number:

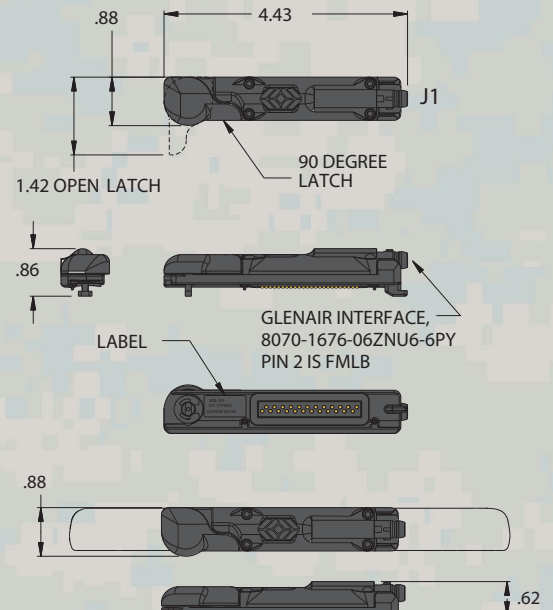
808-101

Adapter

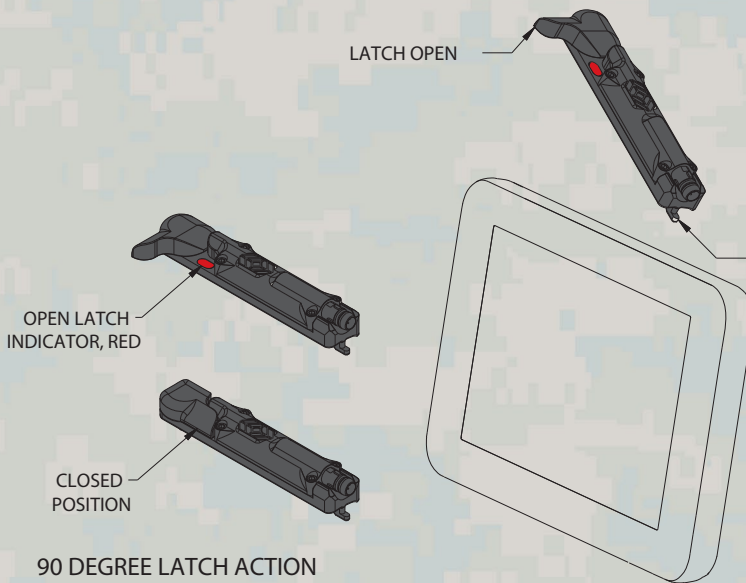
Panasonic Toughpad FZ-M1 Adapter



QUALIFIED FOR USE WITH ALL STAR-PAN POWER / DATA HUBS
LIGHT, II, IV, AND VI



CONNECTOR INSTALLATION



HOST/EUD CABLES, ADAPTERS, AND ACCESSORIES

BATTLE-TESTED

STAR-PAN™

Host/EUD cables, adapters, and accessories

808-103 Panasonic® Toughpad® FZ-M1 Adapter with Cable



HOST/EUD CABLES, ADAPTERS, AND ACCESSORIES



Toughpad® FZ-M1 / FZ-B2 Adapter with Cable

SPECIFICATIONS

- For interconnection of End User Device to STAR-PAN power / data hubs
- Aluminum alloy construction, black zinc-nickel finish.
- Mighty Mouse 807 (NATO standard) connector
- Weight: 62g
- Export classification: 3A611.x

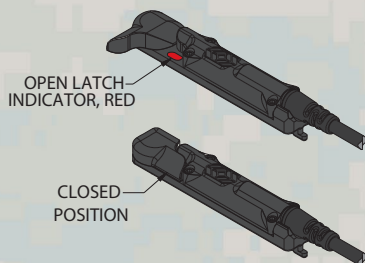
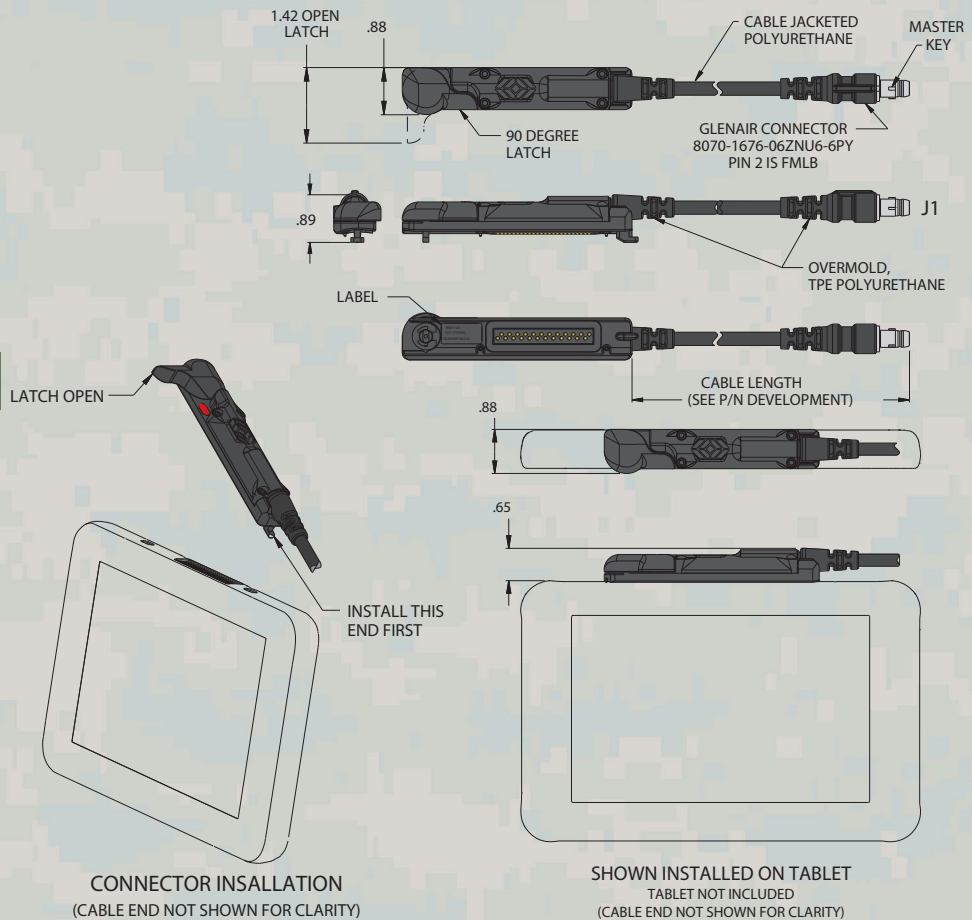
HOW TO ORDER

Sample Part Number:	808-103	-24
Adapter Series	Panasonic Toughpad FZ-M1 Adapter	
Length Designator	In inches. Max. 168.00 inches (14 ft.) Omit for default length of 12.00"	



QUALIFIED FOR USE WITH ALL STAR-PAN POWER / DATA HUBS
LIGHT, II, IV, AND VI

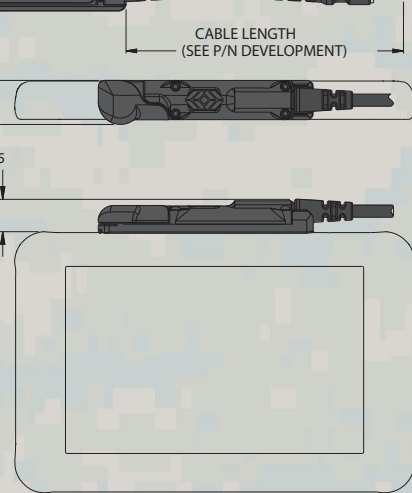
HUB PORT DESIGNATOR:
EUD



90 DEGREE LATCH ACTION
(CABLE END NOT SHOWN FOR CLARITY)



CONNECTOR INSTALLATION
(CABLE END NOT SHOWN FOR CLARITY)



SHOWN INSTALLED ON TABLET
TABLET NOT INCLUDED
(CABLE END NOT SHOWN FOR CLARITY)

BATTLE-TESTED

STAR-PAN™

Host/EUD cables, adapters, and accessories

TS3-003 Panasonic® FZ-M1 Voltage-Regulated Adapter Cable



**Toughpad® FZ-M1 / FZ-B2
Voltage-Regulated
Adapter with Cable**

SPECIFICATIONS

- For interconnection of End User Device to STAR-PAN power / data hubs
- Aluminum alloy housing, black zinc-nickel finish.
- Santoprene jacketed cable, black
- Ergonomic santoprene connector strain reliefs
- Mighty Mouse 807 (NATO standard) connector
- Weight: consult factory
- Export classification: 3A611.x

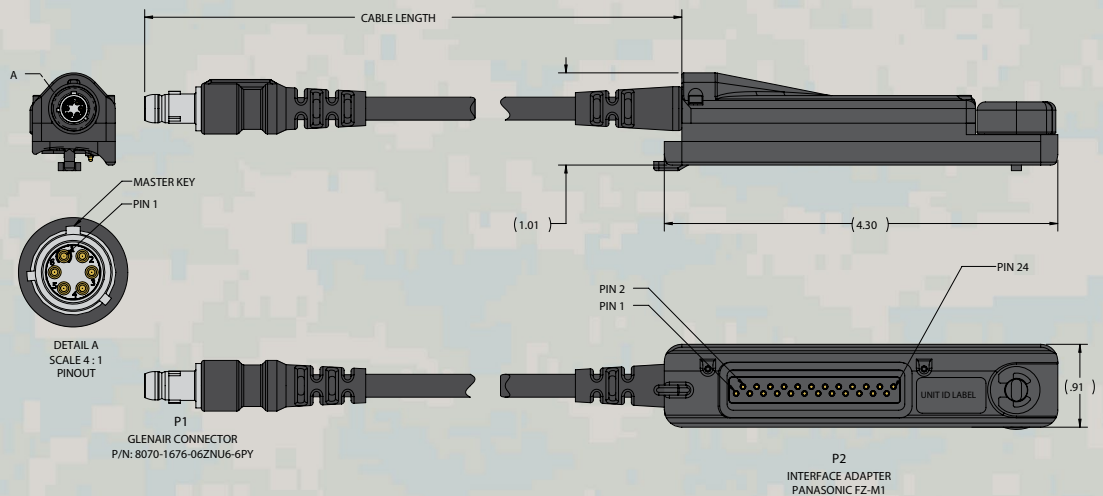
HOW TO ORDER

Part Number:	TS3-003	-36
Adapter	FZ-M1 Voltage-Regulated Adapter Cable	
Length	In inches. Maximum 48.00" Omit for default length of 24.00"	
5V Output Option	Omit = 5V output from tablet -1 = No 5V output	



QUALIFIED FOR USE WITH ALL STAR-PAN POWER / DATA HUBS
LIGHT, II, IV, AND VI

HUB PORT DESIGNATOR:
EUD



HOST/EUD CABLES, ADAPTERS, AND ACCESSORIES

BATTLE-TESTED

STAR-PAN™

Host/EUD cables, adapters, and accessories

808-281 Juggernaut QD USB-C Host Cable with Power Delivery



HOST/EUD CABLES, ADAPTERS, AND ACCESSORIES



Juggernaut QD
USB-C Charger Cable with
Power Delivery

SPECIFICATIONS

- For interconnection of USB-C equipped End User Devices to STAR-PAN power / data hubs
- Santoprene jacketed cable, black
- Places USB-C PD-capable devices into host mode and provides charge current of 2–3A (depending on device and power source negotiation).
- TPE overmolded, ergonomic connector strain reliefs, black.
- Mighty Mouse 807 (NATO standard) connector and Juggernaut USB-C connector
- Ferrite bead option for passive high-frequency noise filtering
- Weight, 24" cable: 72g
- Export classification: EAR99

HOW TO ORDER

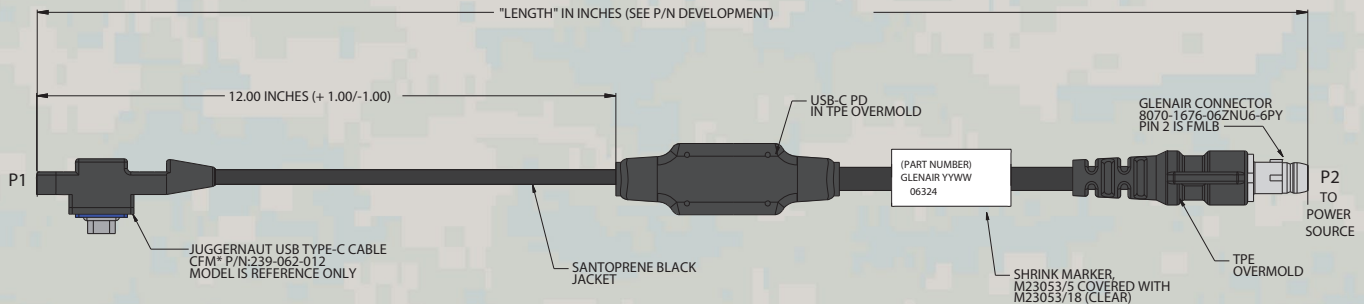
Sample Part Number:	808-281	-F	-30
Cable Series	USB-C Charger Cable with Power Delivery		
Ferrite Bead Option	-F with ferrite bead, omit for no ferrite bead.		
Length Designator	In inches. Maximum 48.00" Omit for default length of 24.00"		



QUALIFIED FOR USE WITH ALL STAR-PAN POWER / DATA HUBS

LIGHT, II, IV, AND VI

HUB PORT DESIGNATOR:
EUD



BATTLE-TESTED

STAR-PAN™

Host/EUD cables, adapters, and accessories

TS1-020 Juggernaut USB-C to Mighty Mouse Plug cable



**Juggernaut QD
USB-C Adapter Cable**

SPECIFICATIONS

- For interconnection of USB-C equipped End User Devices to STAR-PAN power / data hubs
- Santoprene jacketed cable, black
- TPE overmolded, ergonomic connector strain reliefs, black.
- Mighty Mouse 807 (NATO standard) connector and Juggernaut USB-C connector
- Export classification: EAR99

HOW TO ORDER

Sample Part Number:	TS1-020	-24
Adapter Series	USB-C Adapter Cable	
Length Designator	In inches. Min. 6.00", Max. 35.00 inches Omit for default length of 19.00"	

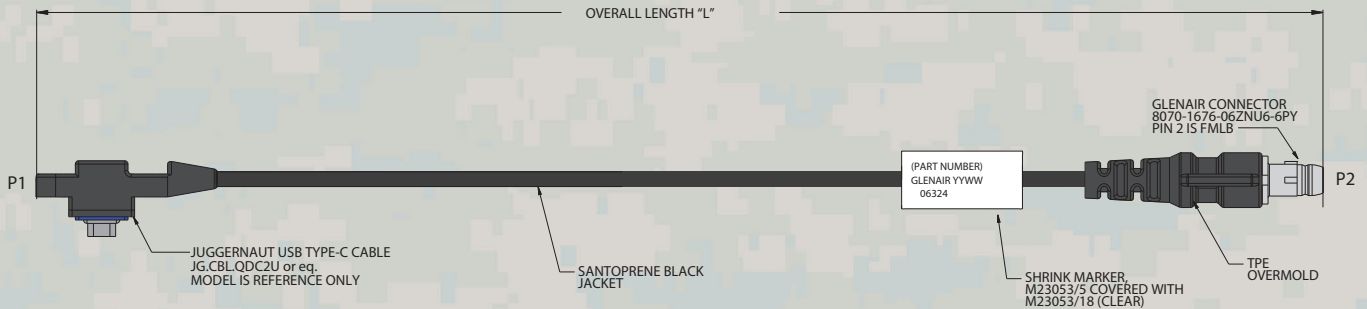


QUALIFIED FOR USE WITH ALL STAR-PAN POWER / DATA HUBS

LIGHT, II, IV, AND VI

HUB PORT DESIGNATOR:

EUD



HOST/EUD CABLES, ADAPTERS, AND ACCESSORIES

BATTLE-TESTED

STAR-PAN™

Host/EUD cables, adapters, and accessories

TS3-052 Juggernaut USB-C Charging Cable with Power Delivery



HOST/EUD CABLES, ADAPTERS, AND ACCESSORIES

SPECIFICATIONS

- For interconnection of USB-C equipped End User Devices to STAR-PAN power / data hubs
- Santoprene jacketed cable, black
- TPE overmolded, ergonomic connector strain reliefs, black.
- Mighty Mouse 807 (NATO standard) connector and Juggernaut USB-C connector
- Use only with Juggernaut S20 IMPCT Case JG.IMPCT.GLXY.S20

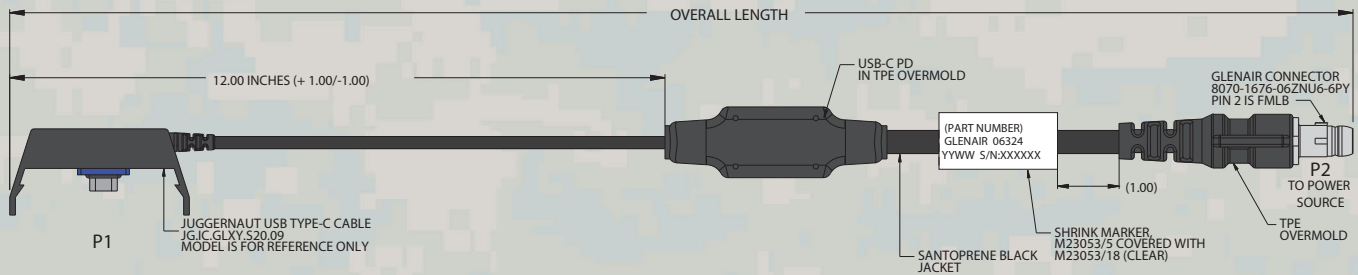
HOW TO ORDER

Sample Part Number:	TS3-052	-
Adapter Series	USB-C charging cable with Power Delivery	
Length Designator	In inches. Max. 48.00 inches Omit for default length of 24.00"	



QUALIFIED FOR USE WITH ALL STAR-PAN POWER / DATA HUBS
LIGHT, II, IV, AND VI

HUB PORT DESIGNATOR:
EUD



BATTLE-TESTED

STAR-PAN™

Host/EUD cables, adapters, and accessories

TS1-095 6P7 Receptacle-to-Receptacle cable



HOST/EUD CABLES, ADAPTERS, AND ACCESSORIES



Receptacle-to-Receptacle cable

SPECIFICATIONS

- For interconnection of End User Devices to STAR-PAN power / data hubs
- Polyurethane jacketed cable, black
- TPE overmolded, ergonomic connector strain reliefs, black.
- Mighty Mouse 807 (NATO standard) connectors

HOW TO ORDER

Sample Part Number:	TS1-095	-36
Adapter Series	6P7 Receptacle-to-Receptacle cable	
Length Designator	In inches. Omit for default length of 24.00"	

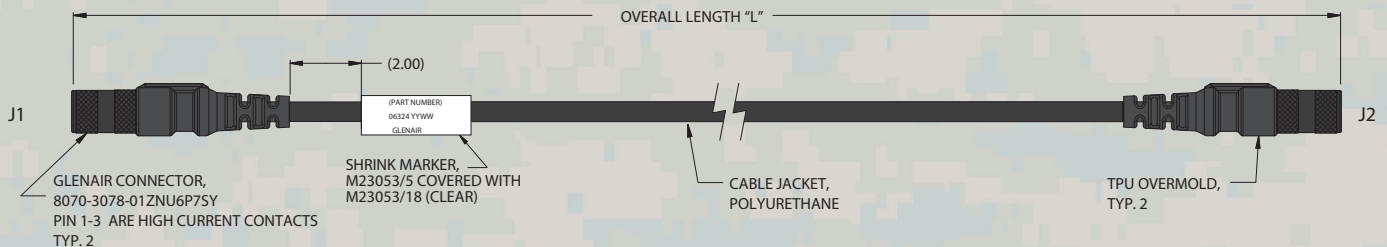


QUALIFIED FOR USE WITH ALL STAR-PAN POWER / DATA HUBS

LIGHT, II, IV, AND VI

HUB PORT DESIGNATOR:

EUD



BATTLE-TESTED

STAR-PAN™

Host/EUD cables, adapters, and accessories

TS1-096 6P7 Plug-to-Plug cable



HOST/EUD CABLES, ADAPTERS, AND ACCESSORIES



Plug-to-Plug cable

SPECIFICATIONS

- For interconnection of End User Devices to STAR-PAN power / data hubs
- Polyurethane jacketed cable, black
- TPE overmolded, ergonomic connector strain reliefs, black.
- Mighty Mouse 807 (NATO standard) connectors

HOW TO ORDER

Sample Part Number:	TS1-096	-36
Adapter Series	6P7 Plug-to-Plug cable	
Length Designator	In inches. Omit for default length of 24.00"	

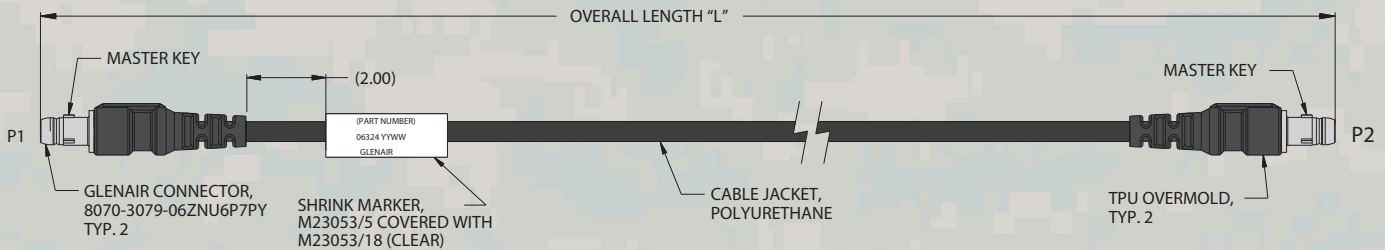


QUALIFIED FOR USE WITH ALL STAR-PAN POWER / DATA HUBS

LIGHT, II, IV, AND VI

HUB PORT DESIGNATOR:

EUD



BATTLE-TESTED

STAR-PAN™

Host/EUD cables, adapters, and accessories

TS1-081 Juggernaut S21 IMPCT USB-C to Mighty Mouse Plug cable



Juggernaut S21 IMPCT
USB-C Adapter Cable

SPECIFICATIONS

- For interconnection of USB-C equipped End User Devices to STAR-PAN power / data hubs
- Santoprene jacketed cable, black
- TPE overmolded, ergonomic connector strain reliefs, black.
- Mighty Mouse 807 (NATO standard) connector and Juggernaut USB-C connector

HOW TO ORDER

Sample Part Number:	TS1-081
Cable Series	USB-C Charger Cable
Length Designator	In inches. Min. 6", Max. 35.00" Omit for default length of 19.00"

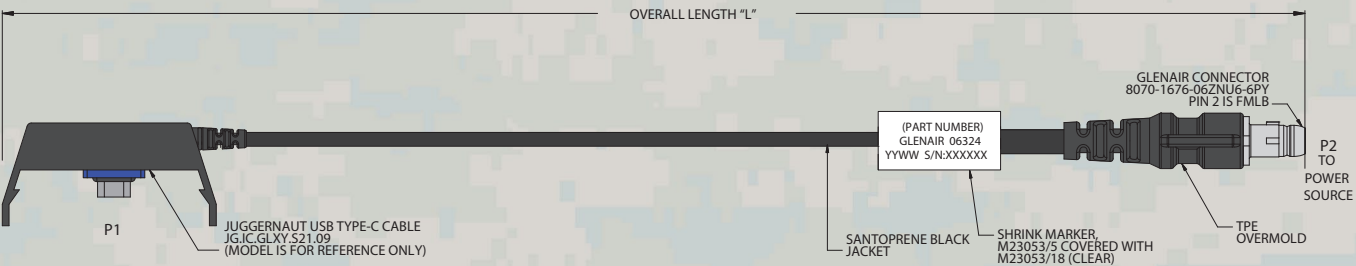


QUALIFIED FOR USE WITH ALL STAR-PAN POWER / DATA HUBS

LIGHT, II, IV, AND VI

HUB PORT DESIGNATOR:

EUD



HOST/EUD CABLES, ADAPTERS, AND ACCESSORIES

BATTLE-TESTED

STAR-PAN™

Host/EUD cables, adapters, and accessories

808-135 USB-C Cable



HOST/EUD CABLES, ADAPTERS, AND ACCESSORIES



USB-C Cable

SPECIFICATIONS

- For interconnection of USB-C equipped End User Devices to STAR-PAN power / data hubs
- Santoprene jacketed cable, black
- Santoprene overmolded, ergonomic connector strain reliefs, black.
- Mighty Mouse 807 (NATO standard) connector
- Weight, 19" cable: 34g
- Export classification: 3A611.x

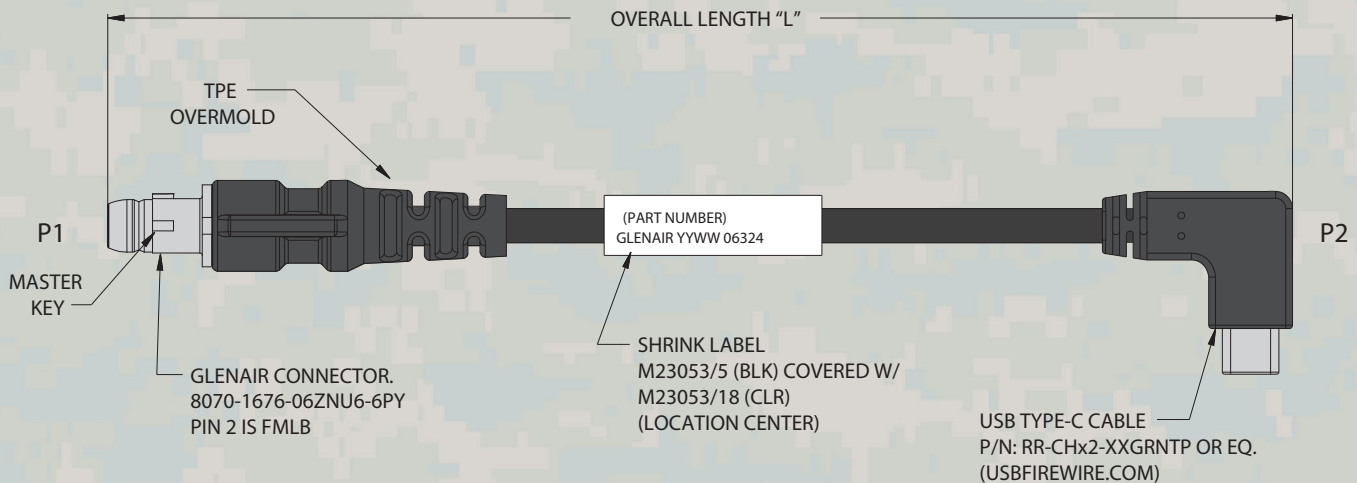
HOW TO ORDER

Sample Part Number:	808-135	-24
Adapter Series	USB-C Adapter Cable	
Length Designator	In inches. Max. 36.00 inches Omit for default length of 19.00"	



QUALIFIED FOR USE WITH ALL STAR-PAN POWER / DATA HUBS
LIGHT, II, IV, AND VI

HUB PORT DESIGNATOR:
EUD



BATTLE-TESTED

STAR-PAN™

Host/EUD cables, adapters, and accessories

808-232 USB-C Host Cable with Power Delivery



SPECIFICATIONS

- For interconnection of USB-C equipped End User Devices to STAR-PAN power / data hubs
- Santoprene jacketed cable, black
- Santoprene overmolded, ergonomic connector strain reliefs, black.
- Mighty Mouse 807 (NATO standard) connector and USB-C connector
- Weight, 24" cable: 68g
- Export classification: EAR99

USB-C Host Cable with Power Delivery

HOW TO ORDER

Sample Part Number:	808-232	-36
Adapter Series	USB-C charging cable with Power Delivery	
Length Designator	In inches. Max. 48.00 inches Omit for default length of 24.00"	

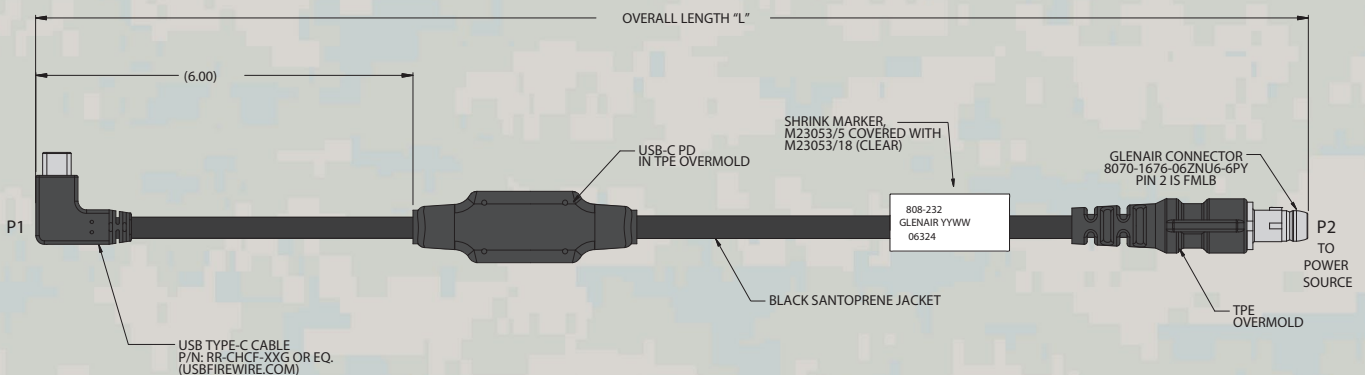


QUALIFIED FOR USE WITH ALL STAR-PAN POWER / DATA HUBS

LIGHT, II, IV, AND VI

HUB PORT DESIGNATOR:

EUD



HOST/EUD CABLES, ADAPTERS, AND ACCESSORIES

BATTLE-TESTED

STAR-PAN™

Host/EUD cables, adapters, and accessories

808-102 USB On-The-Go Cable



HOST/EUD CABLES, ADAPTERS, AND ACCESSORIES



SPECIFICATIONS

- For interconnection of End User Device to STAR-PAN power / data hubs
- Polyurethane overmolded cable, black
- Polyurethane overmolded, ergonomic connector strain reliefs, black.
- Mighty Mouse 807 (NATO standard) connector
- Weight, 6" cable: 62g
- Export classification: 3A611.x

USB On-The-Go Cable

HOW TO ORDER

Part Number:	808-102
Connector	Host Mode Adapter Cable

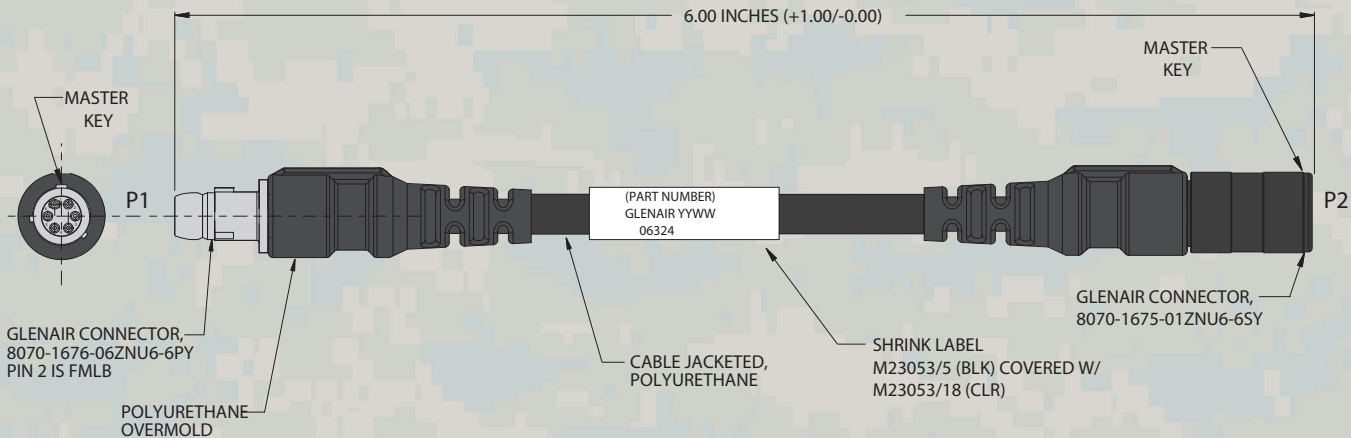


QUALIFIED FOR USE WITH ALL STAR-PAN POWER / DATA HUBS

LIGHT, II, IV, AND VI

HUB PORT DESIGNATOR:

EUD



BATTLE-TESTED

STAR-PAN™

Host/EUD cables, adapters, and accessories

808-096, -160, -271 Host Mode OTG Adapters



HOST/EUD CABLES, ADAPTERS, AND ACCESSORIES



**On-The-Go
Host Mode Adapter**

SPECIFICATIONS

- For interconnection of End User Device to STAR-PAN power / data hubs
- Aluminum, black zinc-nickel finish
- Mighty Mouse 807 (NATO standard) connector
- Weight: 8g
- Export classification: 3A611.x

HOW TO ORDER

Part Number:	808-096
Connector Adapter	STAR-PAN Host Mode On-The-Go Adapter Connector, 64.9K resistance

HOW TO ORDER

Part Number:	808-160
Connector Adapter	Sav-Con® Connector Saver/Adapter for Mighty Mouse 807 connectors 49.9K resistance

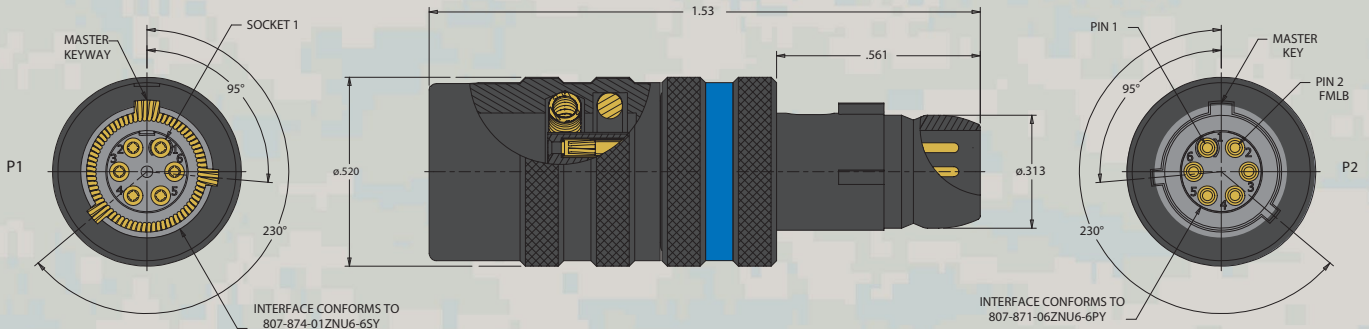
HOW TO ORDER

Part Number:	808-271
Connector Adapter	Sav-Con® Connector Saver/Adapter for Mighty Mouse 807 connectors, 82K resistance



QUALIFIED FOR USE WITH ALL STAR-PAN POWER / DATA HUBS
LIGHT, II, IV, AND VI

HUB PORT DESIGNATOR:
EUD



BATTLE-TESTED

STAR-PAN™

Host/EUD cables, adapters, and accessories

8071-3628 Host Mode OTG Adapter, USB Detect, Grounded ID Pin



HOST/EUD CABLES, ADAPTERS, AND ACCESSORIES



**On-The-Go
Host Mode Adapter**

SPECIFICATIONS

- For interconnection of End User Device to STAR-PAN power / data hubs
- Aluminum, black zinc-nickel finish
- Mighty Mouse 807 (NATO standard) connector
- Weight: 8g
- Export classification: 3A611.x

HOW TO ORDER

Part Number:

8071-3628

Connector Adapter

STAR-PAN Host Mode On-The-Go Adapter Connector,
USB Detect, Grounded ID Pin

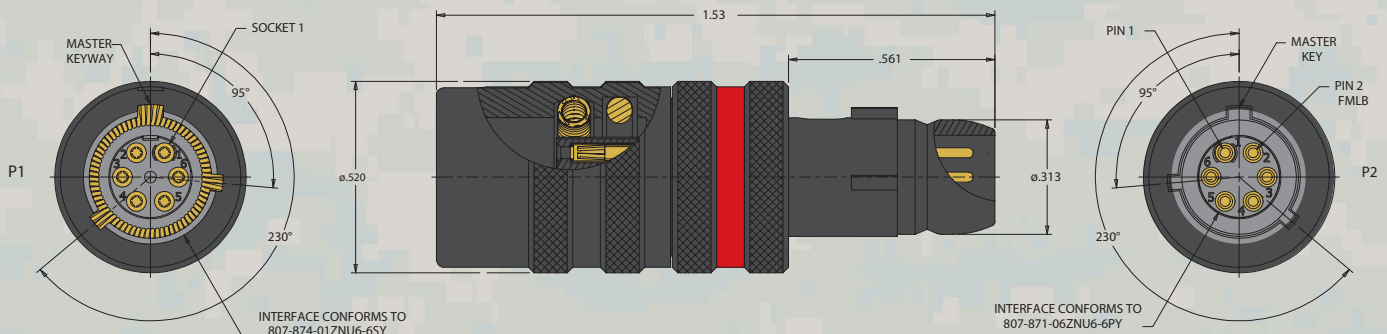


QUALIFIED FOR USE WITH ALL STAR-PAN POWER / DATA HUBS

LIGHT, II, IV, AND VI

HUB PORT DESIGNATOR:

EUD



BATTLE-TESTED

STAR-PAN™

Host/EUD cables, adapters, and accessories

TS1-034 USB-C Host Mode Adapter



**USB-C
Host Mode Adapter**

SPECIFICATIONS

- For interconnection of End User Device to STAR-PAN power / data hubs
- Aluminum, black zinc-nickel finish
- Mighty Mouse 807 (NATO standard) connector
- Weight: 8g
- Export classification: 3A611.x

HOW TO ORDER

Part Number:

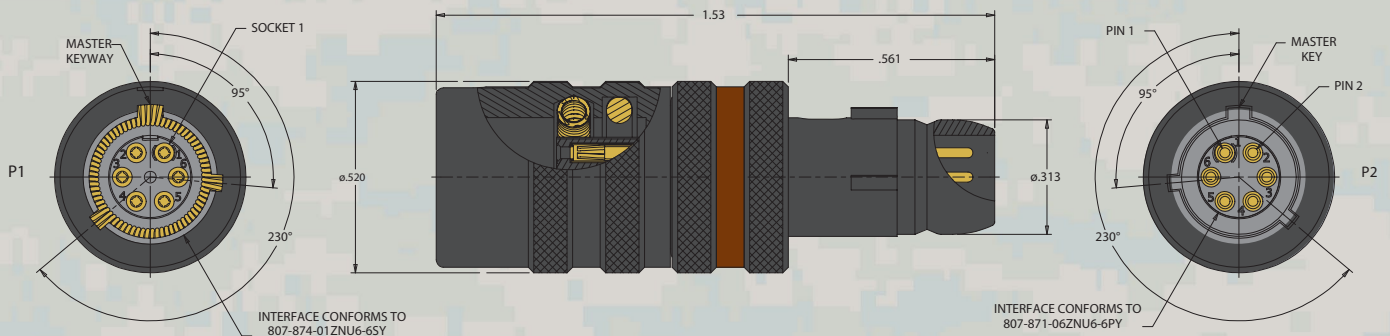
TS1-034

Connector Adapter

STAR-PAN USB-C Host Mode Adapter Connector,
5.1Kohm resistor for direct tether



QUALIFIED FOR USE WITH ALL STAR-PAN POWER / DATA HUBS
LIGHT, II, IV, AND VI



HOST/EUD CABLES, ADAPTERS, AND ACCESSORIES

BATTLE-TESTED

STAR-PAN™

Host/EUD cables, adapters, and accessories

TS1-009 USB-C Charge Adapter



HOST/EUD CABLES, ADAPTERS, AND ACCESSORIES



USB-C Charge Adapter

SPECIFICATIONS

- For interconnection of End User Device to STAR-PAN power / data hubs
- Aluminum, black zinc-nickel finish
- Mighty Mouse 807 (NATO standard) connector
- Weight: 8g

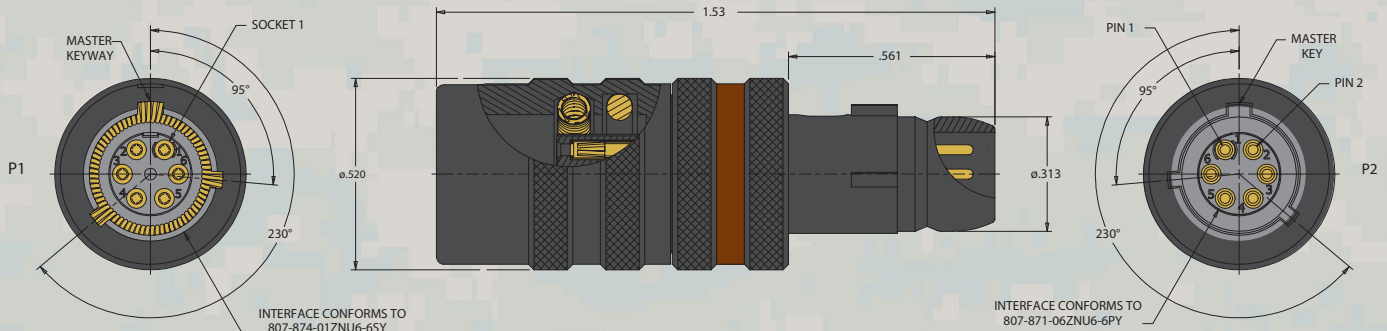
HOW TO ORDER

Sample Part Number:	TS1-009	-1
Adapter Series	USB C Charge Adapter	
Resistor Option	Omit = 22 kΩ (default)	
	-1 = 56kΩ	
	-2 = 10kΩ	



QUALIFIED FOR USE WITH ALL STAR-PAN POWER / DATA HUBS
LIGHT, II, IV, AND VI

HUB PORT DESIGNATOR:
EUD



BATTLE-TESTED

STAR-PAN™

Host/EUD cables, adapters, and accessories

808-259 Gender Changer Adapter (plug connectors)



HOST/EUD CABLES, ADAPTERS, AND ACCESSORIES



Gender Changer Adapter

SPECIFICATIONS

- For gender-change conversion of STAR-PAN power / data hub ports
- Aluminum, black zinc-nickel finish
- Mighty Mouse 807 (NATO standard) plug connectors
- Weight: 11g
- Export classification: EAR99

HOW TO ORDER

Sample Part Number:	808-259-6	-6
Adapter Series	Gender Changer Adapter	
No. of Wired Contacts	-4 = Four Wired Contacts (default) -6 = Six Wired Contacts	

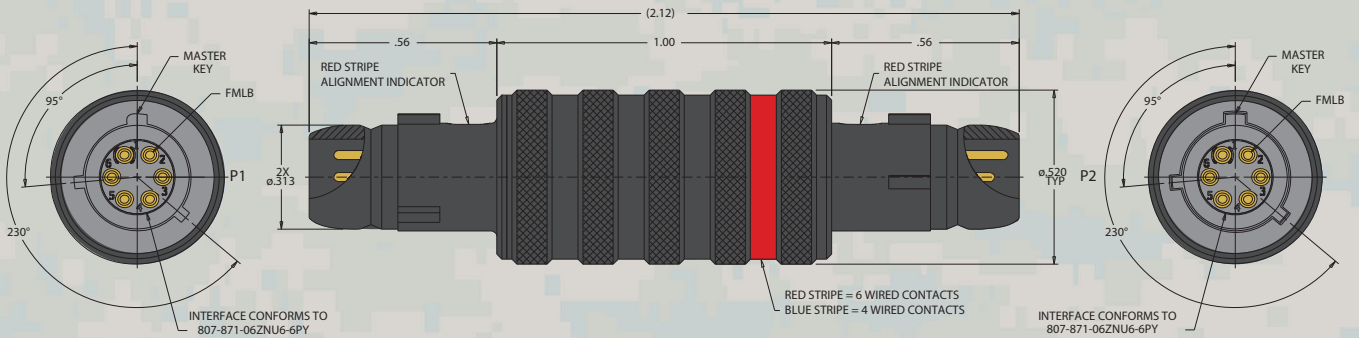


QUALIFIED FOR USE WITH ALL STAR-PAN POWER / DATA HUBS

LIGHT, II, IV, AND VI

HUB PORT DESIGNATOR:

EUD



BATTLE-TESTED

STAR-PAN™

Host/EUD cables, adapters, and accessories

808-260 Gender Changer Adapter (receptacle connectors)



HOST/EUD CABLES, ADAPTERS, AND ACCESSORIES



SPECIFICATIONS

- For gender-change conversion of STAR-PAN power / data hub ports
- Aluminum, black zinc-nickel finish
- Mighty Mouse 807 (NATO standard) receptacle connectors
- Weight: consult factory
- Export classification: EAR99

Gender Changer Adapter

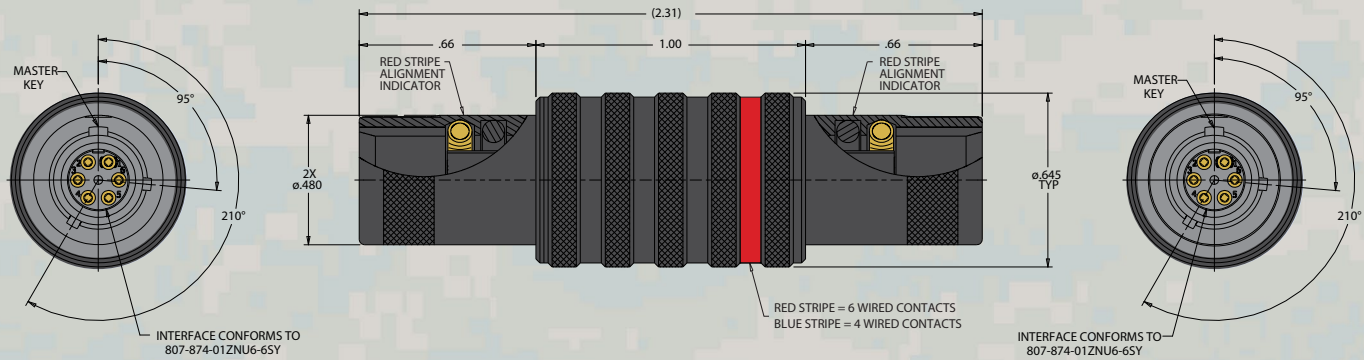
HOW TO ORDER

Sample Part Number:	808-260-6	-6
Adapter Series	Gender Changer Adapter	
No. of Wired Contacts	-4 = Four Wired Contacts (default) -6 = Six Wired Contacts	



QUALIFIED FOR USE WITH ALL STAR-PAN POWER / DATA HUBS
LIGHT, II, IV, AND VI

HUB PORT DESIGNATOR:
EUD



BATTLE-TESTED

STAR-PAN™

Host/EUD cables, adapters, and accessories 808-080 STAR-PAN IV Radio Adapter Cable



SPECIFICATIONS

- Polyurethane overmolded cable, black
- Polyurethane overmolded, ergonomic connector strain reliefs, black.
- Mighty Mouse 807 (NATO standard) connector
- Weight: consult factory
- Export classification: 3A611.x

**STAR-PAN IV
Radio Adapter Cable**

HOW TO ORDER

Sample Part Number:	808-080	-6
Cable Series	STAR-PAN IV Radio Adapter	
Length	In inches. Omit for default length of 8.00"	

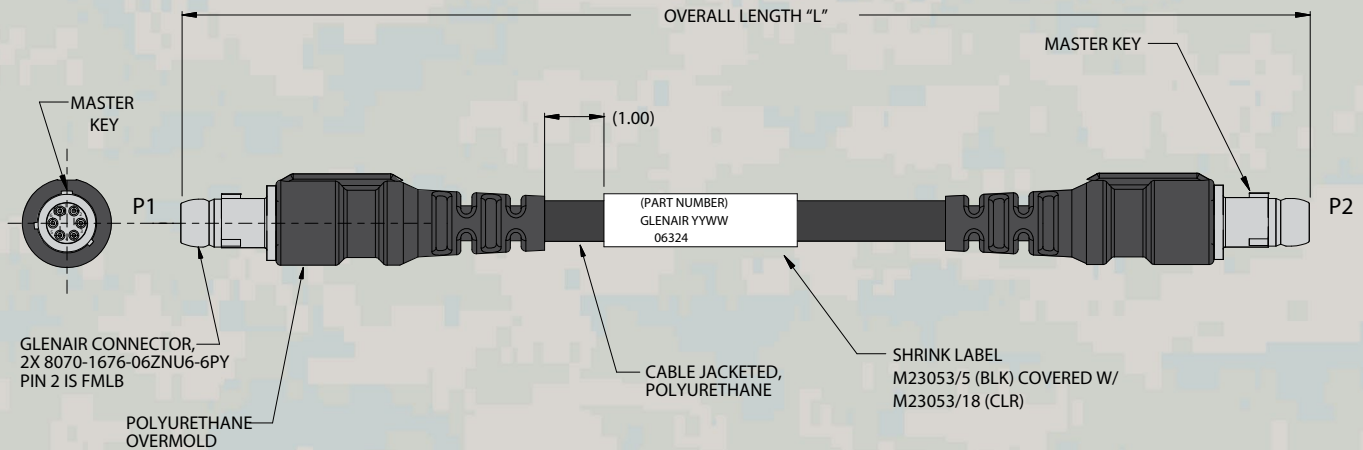


QUALIFIED FOR USE WITH ALL STAR-PAN POWER / DATA HUBS

LIGHT, II, IV, AND VI

HUB PORT DESIGNATOR:

EUD



HOST/EUD CABLES, ADAPTERS, AND ACCESSORIES

BATTLE-TESTED

STAR-PAN™

Host/EUD cables, adapters, and accessories

808-274 6-6 Plug-to-Plug cable



HOST/EUD CABLES, ADAPTERS, AND ACCESSORIES



Plug-to-Plug cable

SPECIFICATIONS

- Polyurethane overmolded cable, black
- Polyurethane overmolded, ergonomic connector strain reliefs, black.
- Mighty Mouse 807 (NATO standard) connectors
- Weight: consult factory
- Export classification: 3A611.x

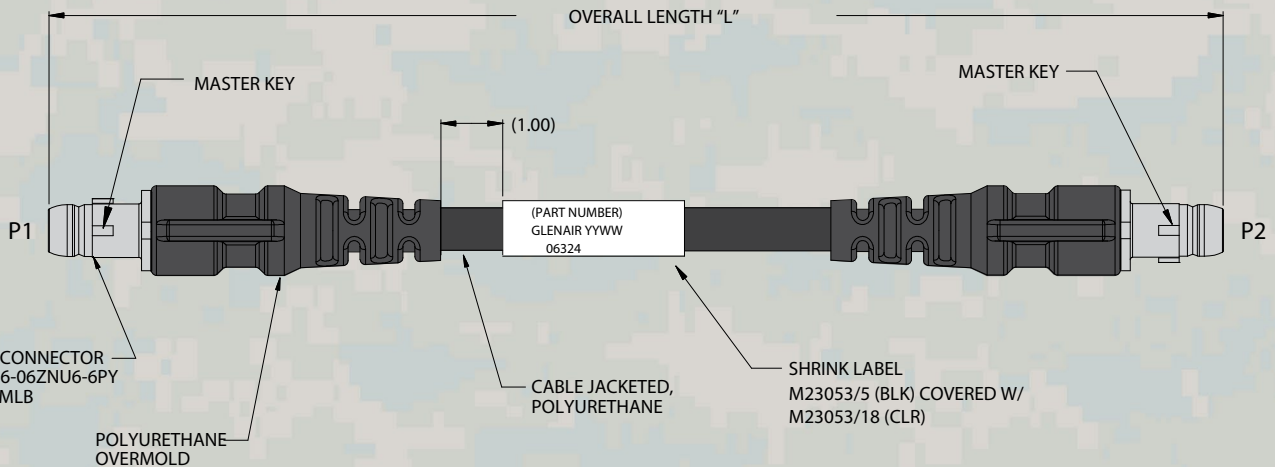
HOW TO ORDER

Sample Part Number:	808-274	-10
Cable Series	STAR-PAN IV Radio Adapter	
Length	In inches. Omit for default length of 8.00"	



QUALIFIED FOR USE WITH ALL STAR-PAN POWER / DATA HUBS
LIGHT, II, IV, AND VI

HUB PORT DESIGNATOR:
EUD

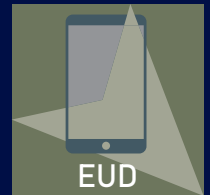


BATTLE-TESTED

STAR-PAN™

Host/EUD cables, adapters, and accessories

TS1-106 USB-C to Mighty Mouse-Interfaced Device Cable



HOST/EUD CABLES, ADAPTERS, AND ACCESSORIES

SPECIFICATIONS

- TPE overmolded cable, black
- TPE overmolded, ergonomic connector strain reliefs, black.
- Mighty Mouse 807 (NATO standard) connector and USB-C connector
- Weight: consult factory
- Export classification: EAR99

HOW TO ORDER

Sample Part Number:	TS1-106	-12
Cable Series	STAR-PAN IV Radio Adapter	
Length	In inches, from 6.00 to 35.00. Omit for default length of 8.00"	

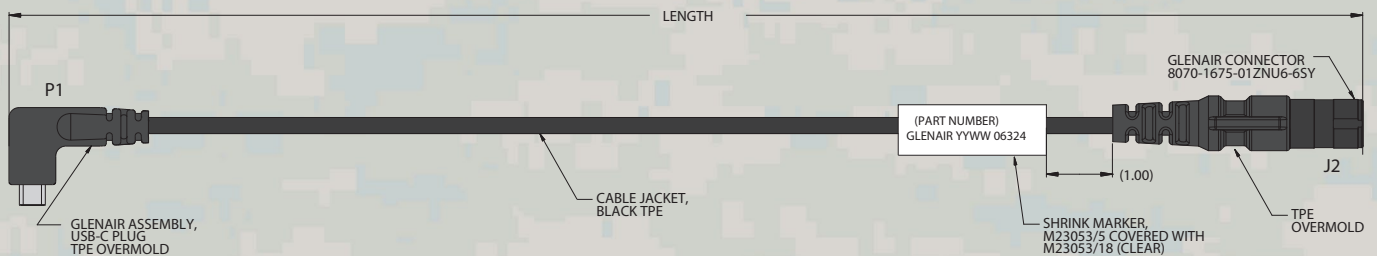


QUALIFIED FOR USE WITH ALL STAR-PAN POWER / DATA HUBS

LIGHT, II, IV, AND VI

HUB PORT DESIGNATOR:

EUD





BATTLE-TESTED

STAR-PAN™

Commercial protocol cables and adapters

COMMERCIAL PROTOCOL CABLES, ADAPTERS, AND ACCESSORIES

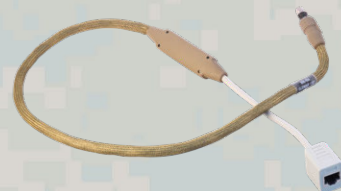
Part No. / Description	NATO Stock No. NSN		Page No.
808-079	5995-01-682-9409	USB Type A Cable	155
808-145	5995-01-679-0913	USB Type A EUD Cable	156
808-053	5995-01-674-0054	PAN Port to USB-A Cable	157
808-111		On-The-Go USB Adapter Cable	158
TS3-033		DB-9 RS-232 Cable	159
808-078	5995-01-682-9477	RJ45 Plug Cable	160
808-084	5995-01-693-7143	RJ45 Receptacle Cable	161



**USB-A host adapter cable
(without power)**



**PAN device to USB-A
Receptacle Adapter Cable**



**Ethernet converter cable,
RJ45 receptacle**

BATTLE-TESTED

STAR-PAN™

Commercial protocol cables, adapters, and accessories

808-079 USB Type A Cable



COMMERCIAL PROTOCOL CABLES AND ADAPTERS



USB Type A Cable

SPECIFICATIONS

- USB Type A host adapter cable, without USB VBUS
- Santoprene jacketed cable, black
- TPE overmolded, ergonomic connector strain relief, black.
- Mighty Mouse 807 (NATO standard) connector and USB-A connector
- Weight, 18" cable: 26g
- Export classification: 3A611.x

HOW TO ORDER

Sample Part Number:	808-079	-24
Cable Series	USB-A Host Adapter Cable	
Length Designator	In inches. Maximum 180" Omit for default length of 18.00"	

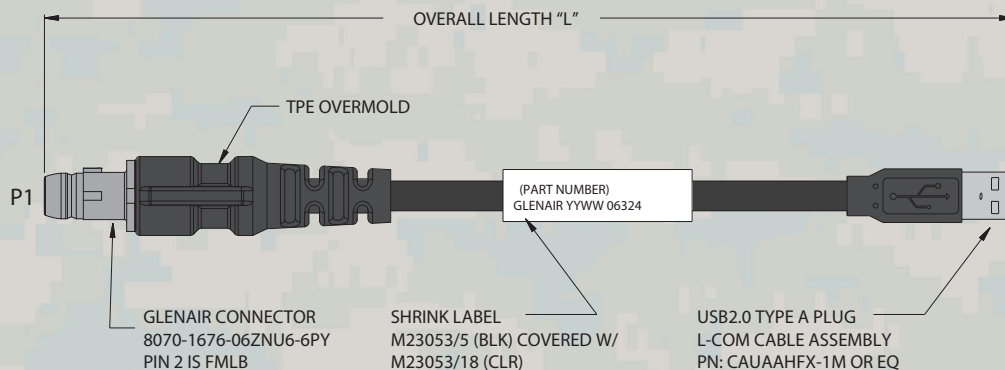


QUALIFIED FOR USE WITH ALL STAR-PAN POWER / DATA HUBS

LIGHT, II, IV, AND VI

HUB PORT DESIGNATOR:

EUD



BATTLE-TESTED

STAR-PAN™

Commercial protocol cables, adapters, and accessories

808-145 USB Type A EUD Cable



COMMERCIAL PROTOCOL CABLES AND ADAPTERS



USB Type A EUD Cable

SPECIFICATIONS

- USB Type A EUD cable
- Santoprene jacketed cable, black
- TPE overmolded, ergonomic connector strain relief, black.
- Mighty Mouse 807 (NATO standard) connector and USB-A connector
- Weight, 18" cable: 26g
- Export classification: 3A611.x

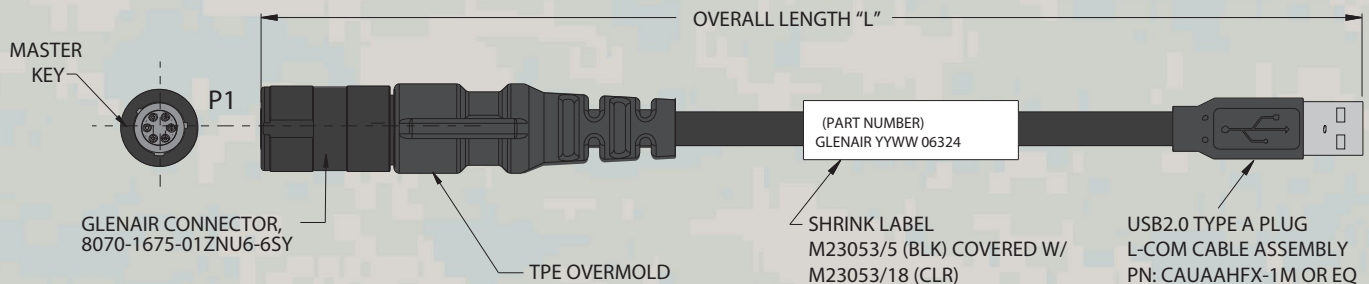
HOW TO ORDER

Sample Part Number:	808-145	-24
Cable Series	USB-A Host Adapter Cable	
Length Designator	In inches. Omit for default length of 18.00"	



QUALIFIED FOR USE WITH ALL STAR-PAN POWER / DATA HUBS
LIGHT, II, IV, AND VI

HUB PORT DESIGNATOR:
EUD



BATTLE-TESTED

STAR-PAN™

Commercial protocol cables, adapters, and accessories

808-053 PAN Port to USB-A Cable



COMMERCIAL PROTOCOL CABLES AND ADAPTERS



Pan Port to USB-A Cable

SPECIFICATIONS

- PAN device to USB type A receptacle adapter cable
- Santoprene jacketed cable, black
- TPE overmolded, ergonomic connector strain reliefs, black.
- Mighty Mouse 807 (NATO standard) connector and USB-A connector
- Weight, 5" cable: 18g
- Export classification: 3A611.x
- PAN port connection

HOW TO ORDER

Sample Part Number:	808-053	-12
Cable Series	USB-A Receptacle Cable	
Length Designator	In inches. Omit for default length of 5.00"	

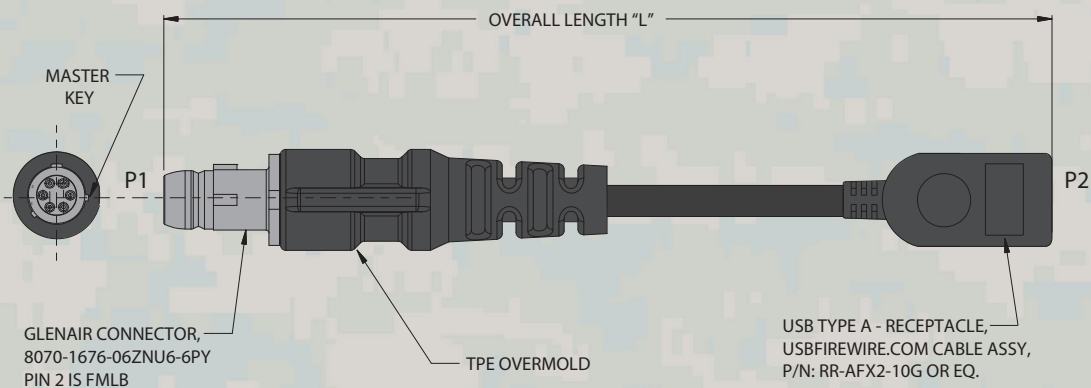


QUALIFIED FOR USE WITH ALL STAR-PAN POWER / DATA HUBS

LIGHT, II, IV, AND VI

HUB PORT DESIGNATOR:

PAN



BATTLE-TESTED

STAR-PAN™

Commercial protocol cables, adapters, and accessories
808-111 On-The-Go USB Adapter Cable



COMMERCIAL PROTOCOL CABLES AND ADAPTERS



On-the-Go
USB Adapter Cable

SPECIFICATIONS

- USB type A receptacle adapter cable
- Santoprene jacketed cable, black
- TPE overmolded, ergonomic connector strain reliefs, black.
- Mighty Mouse 807 (NATO standard) connector and USB-A connector
- Export classification: 3A611.x

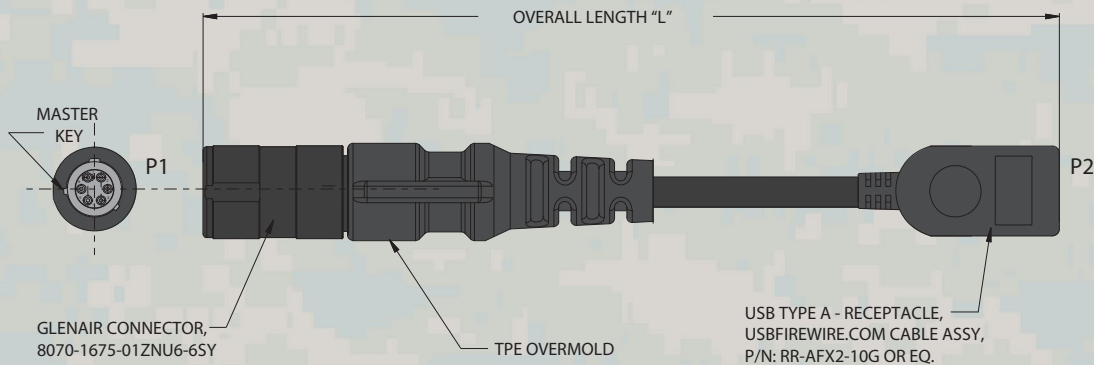
HOW TO ORDER

Sample Part Number:	808-111	-12
Cable Series	OTG USB Adapter Cable	
Length Designator	In inches. Omit for default length of 5.00"	



QUALIFIED FOR USE WITH ALL STAR-PAN POWER / DATA HUBS
LIGHT, II, IV, AND VI

HUB PORT DESIGNATOR:
EUD



BATTLE-TESTED

STAR-PAN™

Commercial protocol cables, adapters, and accessories

TS3-033 DB-9 RS-232 Cable



COMMERCIAL PROTOCOL CABLES AND ADAPTERS



SPECIFICATIONS

- RS-232 converter cable with DB9 connector
- Polyurethane jacketed cable, black
- TPU overmolded, ergonomic connector strain relief, black.
- Mighty Mouse 807 (NATO standard) connector and RS-232 connector
- Weight, 24" cable: 88g
- PAN RS-232 to USB

DB9 RS-232 Cable

HOW TO ORDER

Sample Part Number:	TS3-033	-32
Cable Series	DB-9 RS-232 Cable	
Length Designator	In inches. Omit for default length of 24.00"	

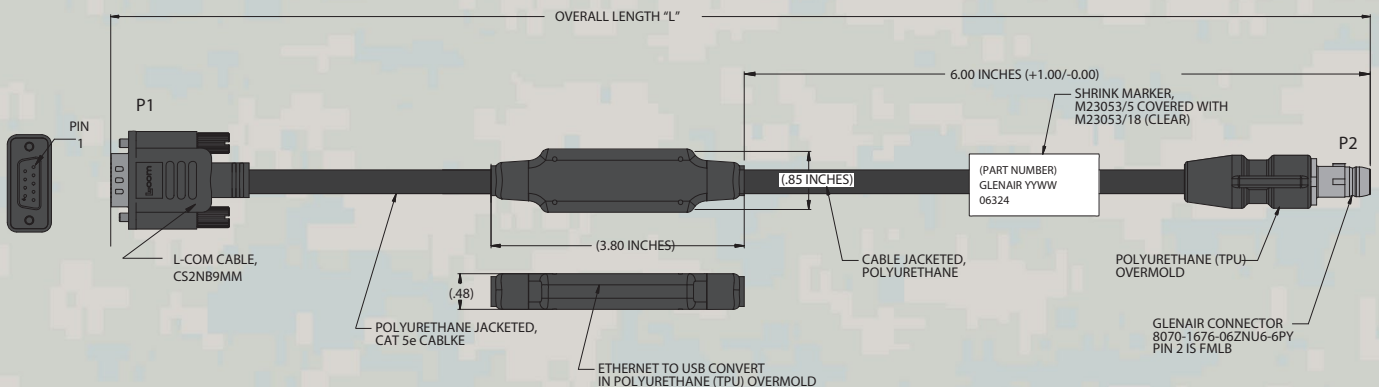


QUALIFIED FOR USE WITH ALL STAR-PAN POWER / DATA HUBS

LIGHT, II, IV, AND VI

HUB PORT DESIGNATOR:

PAN



BATTLE-TESTED

STAR-PAN™

Commercial protocol cables, adapters, and accessories

808-078 RJ45 Plug Cable



COMMERCIAL PROTOCOL CABLES AND ADAPTERS



RJ45 Plug Cable

SPECIFICATIONS

- CAT5e Ethernet cable with RJ45 plug
- Integrated Ethernet to USB conversion circuitry
- Santoprene jacketed cable, black
- TPE overmolded, ergonomic connector strain relief, black.
- Mighty Mouse 807 (NATO standard) connector and RJ45 connector
- Weight, 24" cable: 80g
- Export classification: 3A611.x

HOW TO ORDER

Sample Part Number:	808-078	-32
Cable Series	STAR-PAN RJ45 Ethernet Cable	
Length Designator	In inches. Omit for default length of 24.00"	

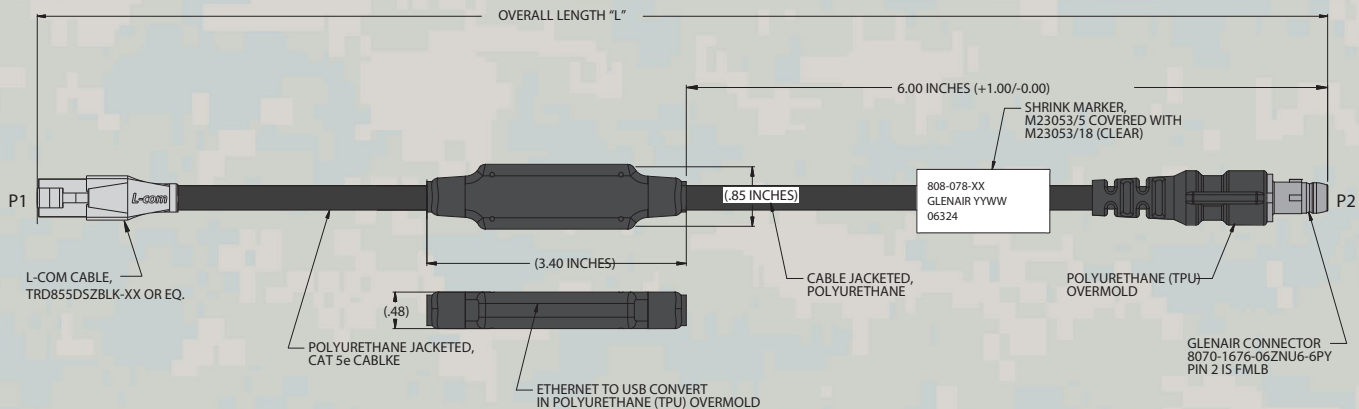


QUALIFIED FOR USE WITH ALL STAR-PAN POWER / DATA HUBS

LIGHT, II, IV, AND VI

HUB PORT DESIGNATOR:

PAN



BATTLE-TESTED

STAR-PAN™

Commercial protocol cables, adapters, and accessories

808-084 RJ45 Receptacle Cable



COMMERCIAL PROTOCOL CABLES AND ADAPTERS



SPECIFICATIONS

- CAT5e Ethernet cable with RJ45 receptacle
- Integrated Ethernet to USB conversion circuitry
- Nomex braided cable, olive drab
- TPE overmolded, ergonomic connector strain relief, desert tan.
- Mighty Mouse 807 (NATO standard) connector and RJ45 connector
- Weight, 30" cable: 94g
- Export classification: 3A611.x

RJ45 Receptacle Cable

HOW TO ORDER

Sample Part Number:	808-084	-24
Cable Series	RJ45 Ethernet Cable	
Length Designator	In inches. Omit for default length of 30.00"	

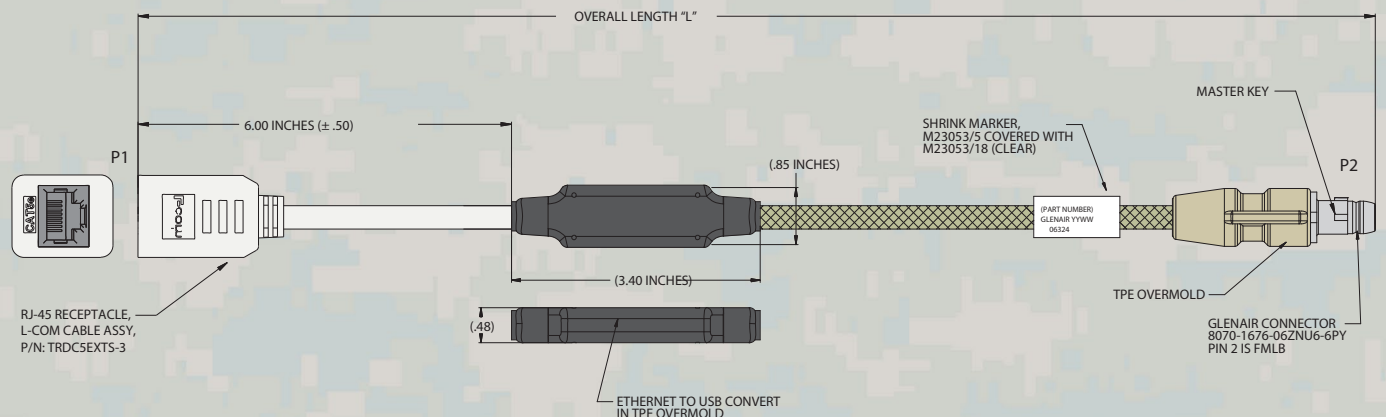


QUALIFIED FOR USE WITH ALL STAR-PAN POWER / DATA HUBS

LIGHT, II, IV, AND VI

HUB PORT DESIGNATOR:

PAN





BATTLE-TESTED

STAR-PAN™

Soft Goods: Mission Kit Bag and Pouches, MOLLE Pouches, and Connector Dust Caps

SOFT GOODS: MISSION KIT BAG AND POUCHES

Part No.	Description	Weight	Length	Material/Color	ECCN / EAR	Page No.
TS4-011	Mission Kit Bag with Pouches - Complete Kit	2.08 lbs.	L = 20" W = 14" D = 2.5" (outer Kit Bag)	Cordura/Black	99	163
TS4-001	Mission Kit Bag	.9 lbs	L = 20" W = 14" D = 2.5"	Cordura/Black	99	163
TS4-002	Large Pouch	.18 lbs.	W = 18" H = 4"	Cordura/Black	99	164
TS4-003	Square Pouch	.9 lbs.	W = 10" H = 10"	Cordura/Black	99	164
TS4-004	Medium Pouch	.1 lbs.	W = 9.5" H = 5"	Cordura/Black	99	164
TS4-017	STAR-PAN II MOLLE Pouch	1.1 oz.	L = 3.5" W = 2.5" H = 1"	Cordura/Desert Tan or Camouflage	99	165
TS4-018	STAR-PAN IV MOLLE Pouch	(consult factory)	(consult factory)	Cordura/Desert Tan or Camouflage	99	165
TS4-009	STAR-PAN VI MOLLE Pouch	4 oz.	L = 5" W = 7" H = 1.5"	Cordura/Desert Tan or Camouflage	99	165
TS4-028	MISSION MANAGER MOLLE Pouch	(consult factory)	L = 4" W = 2"	Cordura/Desert Tan or Camouflage	99	165
TS4-022	Connector dust caps	(consult factory)	various	Tan or Black	99	166
TS4-024	Dust Caps for in-line cable receptacles	(consult factory)	various	Tan or Black	99	167
TS4-025	Dust Caps for in-line cable plugs	(consult factory)	various	Tan or Black	99	167

BATTLE-TESTED

STAR-PAN™

Soft Goods: Mission Kit Bag and Pouches



SOFT GOODS



MISSION KIT BAG SPECIFICATIONS

- Designed to store, organize, and transport all components of the Glenair STAR-PAN system: hubs, cables, adapters, and accessories
- Lightweight, yet rugged and durable
- Black Cordura / nylon mesh construction
- Paracord zipper pulls
- Mission Bag is MOLLE-compatible
- Pouches are user-configurable with secure Velcro attachment to Mission Bag
- Order Bag and Pouches separately, or as a kit



QUALIFIED FOR USE WITH ALL STAR-PAN POWER / DATA HUBS: LIGHT, I, II, IV, AND VI

HOW TO ORDER

Sample Part Number: TS4-011	
Soft Goods	Mission Kit Bag with Pouches - Complete Kit
Kit Contents	TS4-001 – Mission Bag (qty. 1) TS4-002 – Large Pouch (qty. 3) TS4-003 – Square Pouch (qty. 2) TS4-004 – Medium Pouch (qty. 2)



Front view



Back view

MISSION KIT BAG SPECIFICATIONS

- Designed to store, organize, and transport all components of the Glenair STAR-PAN system: hubs, cables, adapters, and accessories
- Black Cordura construction
- Molle web on front of bag
- Front loop Velcro for patches
- Full loop fabric fastening interior for modularity and organization
- Rear pocket for additional storage
- Grab Handles
- Paracord zipper pulls
- Length = 20" Width = 14" Depth = 2.5" Weight = .9 lbs.

HOW TO ORDER

Sample Part Number: TS4-001	
Soft Goods	Mission Kit Bag

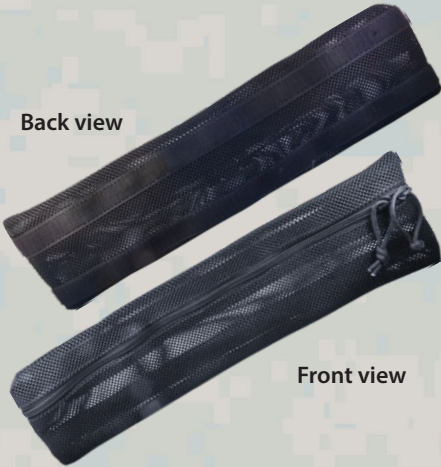
BATTLE-TESTED

STAR-PAN™

Soft Goods: Mission Kit Bag and Pouches



SOFT GOODS



Back view

Front view

STAR-PAN II HUB AND CABLE POUCH SPECIFICATIONS

- Designed to hold STAR-PAN II Power/Data Hubs or STAR-PAN system cables inside the Glenair STAR-PAN Mission Kit Bag
- Black Cordura mesh construction for quick visual reference of contents
- Dual rear Velcro hook strips
- Paracord zipper pulls
- Width = 18" Height = 4" Weight = .18 lbs.

HOW TO ORDER

Sample Part Number:

TS4-002

Soft Goods

Pouch, large



Back view

Front view

STAR-PAN IV / VI HUB SQUARE POUCH SPECIFICATIONS

- Designed to hold STAR-PAN IV / VI hubs inside the Mission Kit Bag
- Black Cordura mesh construction for quick visual reference of contents
- Dual rear Velcro hook strips
- Paracord zipper pulls
- Width = 10" Height = 10" Weight = .9 lbs.

HOW TO ORDER

Sample Part Number:

TS4-003

Soft Goods

Pouch, square



Back view

Front view

ADAPTER / NON-CABLED ITEM POUCH SPECIFICATIONS

- Designed for use inside the Glenair STAR-PAN Mission Kit Bag
- Black Cordura mesh construction for quick visual reference of contents
- Dual rear Velcro hook strips
- Paracord zipper pulls
- Width = 9.5" Height = 5" Weight = .1 lbs.

HOW TO ORDER

Sample Part Number:

TS4-004

Soft Goods

Pouch, medium

BATTLE-TESTED

STAR-PAN™

Soft Goods: MOLLE pouches



SOFT GOODS



STAR-PAN II MOLLE pouch

STAR-PAN II MOLLE POUCH SPECIFICATIONS

- Tan or Camouflage Cordura
- Single-button snap-lock for mounting on MOLLE loops
- Front loop Velcro securely retains STAR-PAN II hub

HOW TO ORDER

Sample Part Number:		TS4-017	-T
STAR-PAN MOLLE Pouch	STAR-PAN II MOLLE pouch		
Color Option	-T = Tan -C = Camo		



STAR-PAN IV MOLLE pouch

STAR-PAN IV MOLLE POUCH SPECIFICATIONS

- Tan or Camouflage Cordura
- Single-button snap-lock for mounting on MOLLE loops
- Front loop Velcro securely retains STAR-PAN IV hub

HOW TO ORDER

Sample Part Number:		TS4-018	-T
STAR-PAN MOLLE Pouch	STAR-PAN IV MOLLE pouch		
Color Option	-T = Tan -C = Camo		



STAR-PAN VI MOLLE pouch

STAR-PAN VI MOLLE POUCH SPECIFICATIONS

- Tan or Camouflage Cordura
- Single-button snap-lock for mounting on MOLLE loops
- Front loop Velcro securely retains STAR-PAN II hub

HOW TO ORDER

Sample Part Number:		TS4-009	-C
STAR-PAN MOLLE Pouch	STAR-PAN VI MOLLE pouch		
Color Option	-T = Tan -C = Camo		



MISSION MANAGER MOLLE pouch

MISSION MANAGER MOLLE POUCH SPECIFICATIONS

- Tan or Camouflage Cordura
- Single-button snap-lock for mounting on MOLLE loops
- Front loop Velcro securely retains MISSION MANAGER

HOW TO ORDER

Sample Part Number:		TS4-028	-T
STAR-PAN MOLLE Pouch	STAR-PAN II MOLLE pouch		
Color Option	-T = Tan -C = Camo		

BATTLE-TESTED

STAR-PAN™

Soft Goods: Dust Caps



SOFT GOODS

SPECIFICATIONS

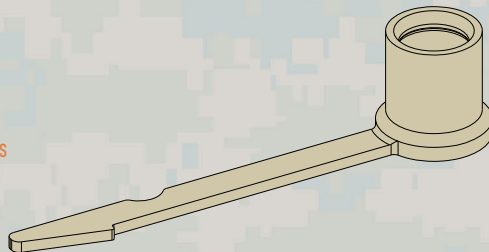
- Rugged and reliable environmental protection for Mighty Mouse 807 series size 6 connectors provided on STAR-PAN system hubs and cables
- Santoprene material
- Plug and receptacle designs
- Self-retaining and zip tie styles
- Black or tan color

HOW TO ORDER

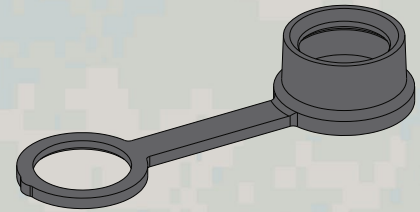
Sample Part Number:	TS4-022	-3	-T
STAR-PAN Connector Dust Cap	STAR-PAN system connector dust caps		
Configuration	-3, -4, -5, -6 (see diagrams)		
Color Option	-T = Tan Omit = Black		



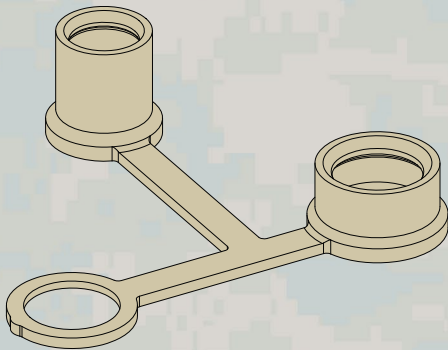
QUALIFIED FOR USE WITH ALL STAR-PAN POWER / DATA HUBS
LIGHT, II, IV, AND VI



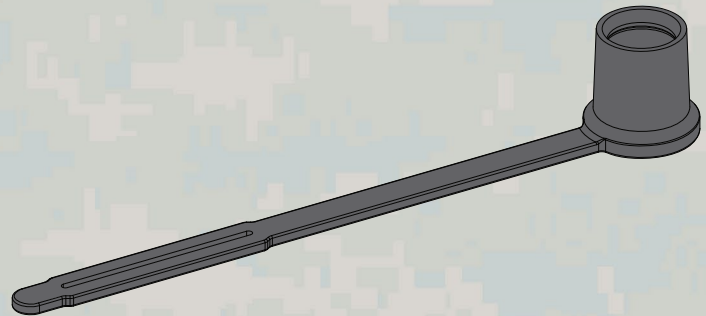
-3 for size 6 plug,
zip tie loop, 1.60" length



-4 for size 6 receptacle,
self-retaining, external sealing



-5 size 6 receptacle and plug,
self-retaining, external sealing



-6 for size 6 plug,
zip tie loop, 2.25" length

BATTLE-TESTED

STAR-PAN™

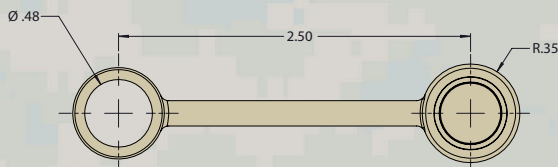
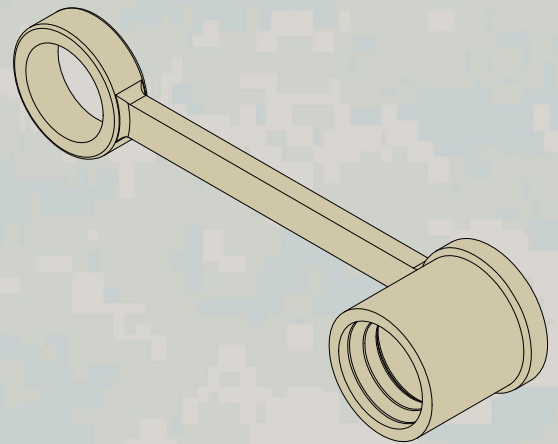
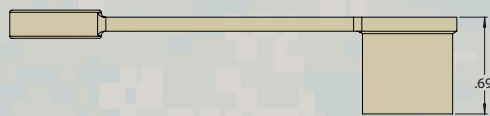
Soft Goods: Dust Caps



SOFT GOODS

HOW TO ORDER

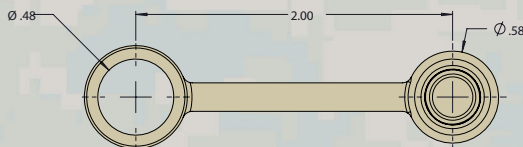
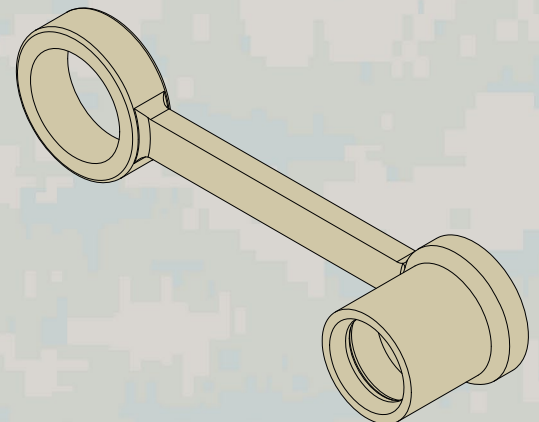
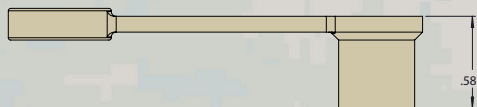
Sample Part Number:	TS4-024	-T
STAR-PAN Connector Dust Cap	STAR-PAN system receptacle dust cap for in-line cable receptacle connectors	
Color Option	-T = Tan Omit = Black	



QUALIFIED FOR USE WITH ALL STAR-PAN POWER / DATA HUBS
LIGHT, II, IV, AND VI

HOW TO ORDER

Sample Part Number:	TS4-025	-T
STAR-PAN Connector Dust Cap	STAR-PAN system receptacle dust cap for in-line cable plug connectors	
Color Option	-T = Tan Omit = Black	



AEROSPACE/
MISSILE
SYSTEMS

SERIES
806
MIL-AERO

Series 806 Mil-Aero:
Advanced performance,
reduced size and weight



Innovative design meets key performance benchmarks for harsh vibration, shock, and environmental settings—as well as high-altitude, unpressurized aircraft zones with aggressive voltage ratings and altitude immersion standards.

SAVE SIZE AND WEIGHT WITH SERIES 806 CONNECTORS

Series 806 Mil-Aero
Smallest Size
.500 In. Mating Threads
3 #20 Contacts or 7 #22
contacts



MIL-DTL-38999
Smallest Size
.625 In. Mating Threads
3 #20 Contacts or 6 #22
contacts



- Next-generation small form factor aerospace-grade circular connector
- Designed for harsh application environments such as aircraft, industrial robotics and more
- Upgraded environmental, electrical and mechanical performance
- Integrated anti-decoupling technology
- Higher density 20HD and 22HD crimp contact arrangements
- Hermetic and filter versions
- +200°C temperature rating

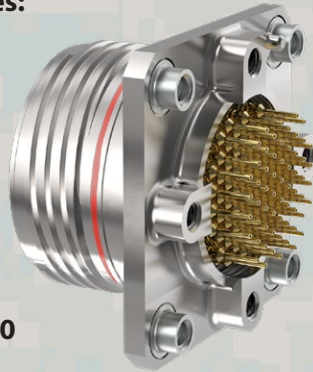
Series 806 Mil-Aero Ultraminiature Circular Connectors

for harsh mil-aero applications IAW MIL-DTL-38999



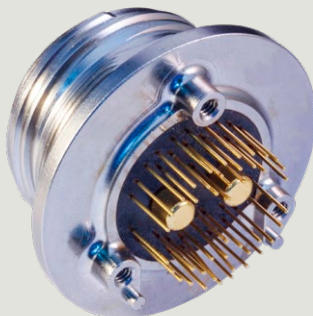
SERIES 806 MIL-AERO: FEATURES / SPECIFICATIONS

- Supported wire sizes:
#20HD contacts
20–24 AWG
#22HD contacts
22–28AWG
- Dielectric withstanding voltage
#20HD layouts:
1800 Vac
#22HD layouts: 1300 Vac
- Reduced pitch triple-start modified anti-decoupling stub ACME mating threads
- “Triple ripple” wire sealing grommet (75,000 ft. rated)
- Integral Nano-Band shield termination platform
- EMI shielding effectiveness per D38999M para. 4.5.28 (65 dB min. leakage attenuation @ 10GHz)
- 10,000 amp indirect lightning strike
- MIL-S-901 Grade A high impact shock

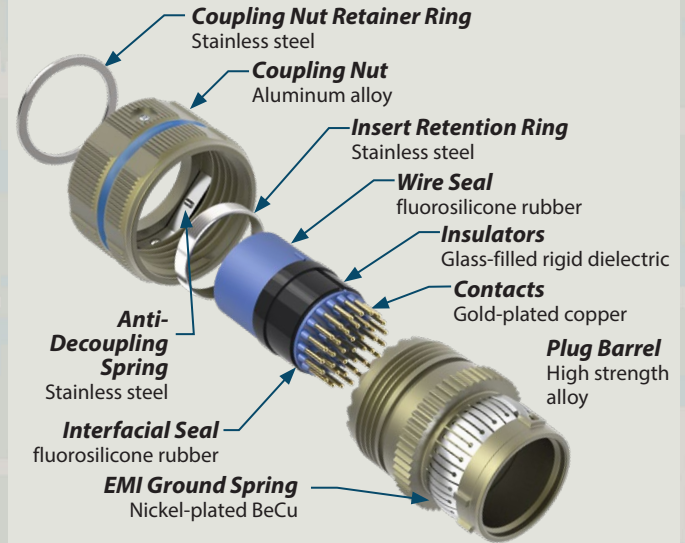


AVAILABLE LIGHTWEIGHT ALUMINUM “CODE RED” HERMETICS

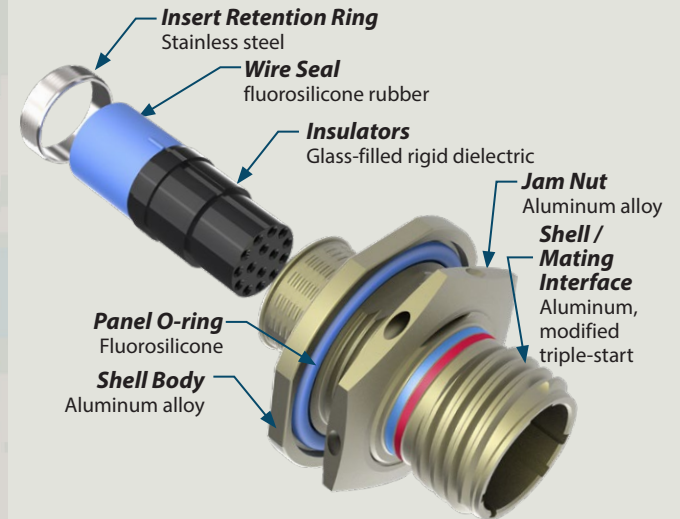
CODE RED is a lightweight encapsulant sealing and assembly process with 50% package-weight savings compared to glass-to-metal seal Kovar/stainless steel solutions. Non-outgassing CODE RED (IAW NASA/ESA) provides durable hermetic sealing with 1×10^{-7} leak rate performance. Gold-plated copper contacts deliver outstanding low-resistance current carrying capacity.



SERIES 806 MIL-AERO PLUG

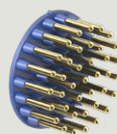


SERIES 806 MIL-AERO RECEPTACLE



SMALLER AND LIGHTER WITH EQUAL D38999 PERFORMANCE?

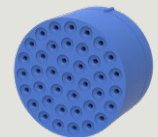
High-Density Layouts
Twice as many contacts in a smaller package



“Top Hat” Insulator
High voltage rating, foolproof alignment



Triple Ripple Wire Seal
Reliable 75,000 ft. altitude immersion



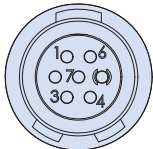
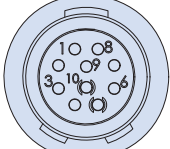
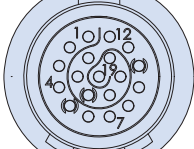
Mighty Mouse SealTac™ Push-Pull Connectors and Cable Jumpers



The Mighty Mouse Series 86 SealTac is a durable, environmentally-sealed push-pull connector with outstanding user ergonomics. Receptacle target-contact designs are fully sealed, easy to maintain and clean, and immersible to 30 PSI / IP68 in the unmated condition. Spring pin contacts (plug side) are rated to 2 Amps and can withstand virtually unlimited mating cycles.

- High-durability unlimited life-cycle performance
- 30 PSI open-face / IP68-level sealing (box side)
- Ergonomic keyed push-pull mating
- High-density micro miniature form factor
- Maintenance-free spring contact inserts
- Integrated EMI/RFI ground spring and shield termination band porch
- High vibration and shock resistant
- Full qualification testing complete and available

Shell Size / Contact Arrangements

		
<p>06-7 shell size 6, 7 contacts</p>	<p>07-10 shell size 7, 10 contacts</p>	<p>08-19 shell size 8, 19 contacts</p>

SERIES 86

SealTac Tactical Push-Pull Connectors

Spring-pin equipped Mighty Mouse
harsh-environmental



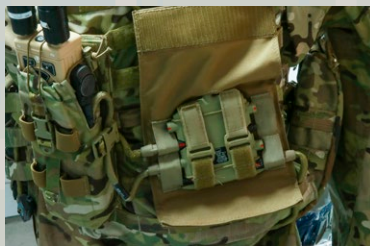
SERIES 86 SEALTAC APPLICATIONS



C4ISR soldier devices



Rugged computers and hand-helds



Power and data hubs



Tactical Communications Gear



Helmet quick-disconnects

CONNECTOR SELECTION GUIDE

IN-LINE RECEPTACLES



860-051-01

Series 86 spring contact push-pull in-line receptacle for cable applications

IN-LINE PLUG



860-050-06

Series 86 target contact push-pull in-line cable plug

JAM-NUT PLUG



860-050-07

Series 86 target contact push-pull jam-nut mount plug

CABLE JUMPER Receptacle-to-receptacle



861-001

Series 86 spring contact push-pull receptacle-to-receptacle overmolded cable jumper

CABLE JUMPER Plug-to-plug



861-002

Series 86 target contact push-pull plug-to-plug overmolded cable jumper

CABLE JUMPER High-speed HDMI



861-003

Series 86 target contact push-pull plug or spring contact push-pull receptacle-to-HDMI overmolded cable jumper

CABLE JUMPER High-speed USB 3.0



861-004

Series 86 target contact push-pull plug or spring contact push-pull receptacle-to-USB 3.0 overmolded cable jumper

Series 86 SealTac™ Performance Summary

	Performance	Specification
DWV	500 Vac	EIA 364-20
IR	5 GΩ, 200 Vdc	EIA 364-21
Temperature Range	-55°C / +125°C	
Contact Ω	40 mΩ	EIA-364-23 (26 AWG wire included)
Durability	2500 cycles min	EIA-364-09
Mating Force	8 lbs (size 06) 12 lbs (size 08)	EIA-364-13
Random Vibration		MIL-STD-810H, method 514.8, Annex E, figure 514.8E-1. One hour each axis, longitudinal and perpendicular axes
Shock		Mil-Std-810, method 516, Procedure I (40 G's, 11ms). 3 shocks X 3 axes X 2 directions = 18 shocks
Water Immersion	30 psi, 30 minutes, 100 MΩ min	EIA 364-21, mated and unmated (open face)

GROUND
SOLDIER

SUPERFLY DATALINK



The Nano miniature Shielded Octaxial
Interconnect for High-Speed Datalink Protocols



High speed, harsh environment SuperFly[®] Datalink connectors—shielded for 10Gb Ethernet, SuperSpeed USB, HDMI, SATA, and DisplayPort protocols—deliver outstanding signal integrity and save significant size and weight compared to Quadrax solutions.

PANEL MOUNT CONNECTOR



Panel mount SuperFly Datalink receptacles feature straight or right angle printed circuit board terminals. SuperFly Datalink board mount jacks are epoxy-sealed and are compatible with conformal coatings.



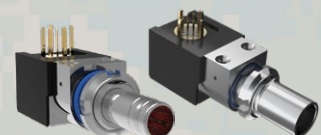
Quick Disconnect



Threaded Coupling



Straight PC Tails



Right Angle PC Tails

SERIES 882

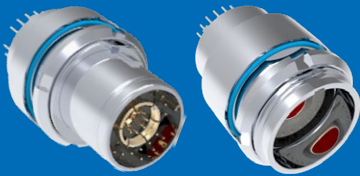
SuperFly® Datalink



The high-speed nano miniature connector for harsh environment defense applications

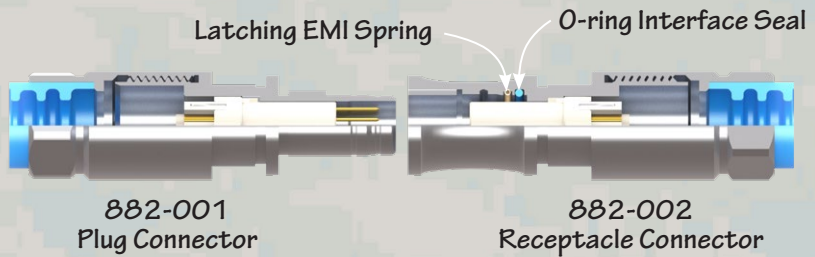
SUPERFLY DATALINK

The High-Speed Ultraminiature Connector for Harsh Environments



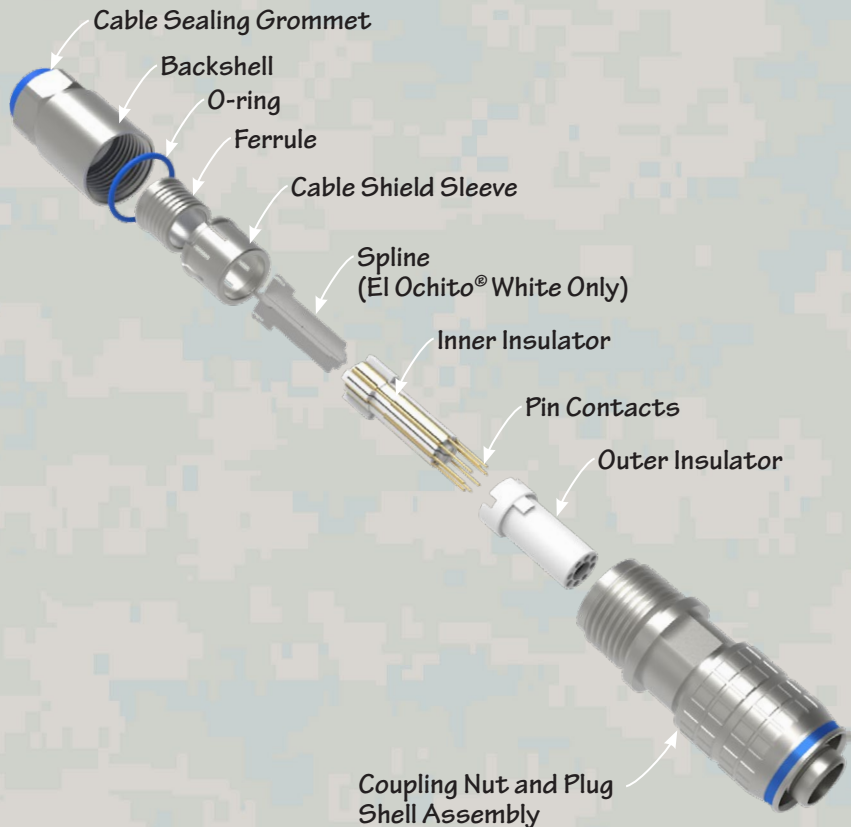
- Ultra-small size
- Shielded Octaxial contacts
- Combo arrangement for HDMI 2.0 and DisplayPort 1.2
- 40Gb Ethernet, SATA and SuperSpeed USB
- Up to 10 Gbps per pair
- PCB or cable termination
- Threaded or Quick-disconnect
- Environmentally protected
- Aerospace-grade performance
- Panel-mount connectors fully-sealed for compatibility with conformal coatings used in board assembly

Push-Pull Quick-Disconnect



Push-pull SuperFly Datalink receptacle connectors feature a canted coil spring for secure mating and excellent EMI protection. A fluorosilicone O-ring provides watertight sealing when mated.

Threaded Coupling Cable Connector



Cable connectors feature gold-plated crimp contacts, precision insulators, integral backshell, sealing grommet and machined shells. Cable connectors are available as unassembled kits or ready-to-use factory-terminated cordsets.

GROUND
SOLDIER

HiPer 55116

QPL and high-performance MCOTS 55116
Audio / Radio Connector Technology



Series 152 HiPer 55116 connectors offer significant performance advantages for modern soldier communication systems

Integrated banding porch/shrink boot groove

<10 mΩ contact resistance

1000 hour+ salt spray corrosion-resistant

Integrated EMI Ground Spring

Fully intermateable and interoperable with MIL-DTL-55116 connectors

- Intermateable and interoperable with standard MIL-DTL-55116 connectors
- Low contact resistance: Less than 10 milliohms
- Integrated EMI ground spring provides improved 2.5 milliohm shell-to-shell conductivity performance
- IP68 rated sealing in mated and unmated condition, prevents water ingress into radio equipment
- 1,000 hour+ salt spray corrosion resistance
- Integrated cable shield termination band porch
- Superior 100 pound cable pull test rating

GLENAIR DLA QUALIFIED SERIES 151 STANDARD MIL-DTL-55116 AUDIO CONNECTORS



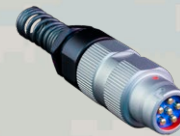
151-001 MIL-DTL-55116 QPL audio plug with wire strain relief



151-002 MIL-DTL-55116 QPL audio plug/overmold adapter



151-003 MIL-DTL-55116 QPL radio-mount jam nut receptacle



151-004 MIL-DTL-55116 QPL in-line receptacle, strain relief



SERIES 152 HIPER 55116 CONNECTOR SELECTION GUIDE



Audio plug, field serviceable, with wire strain relief and rigid contacts, crimp and solder cup



Overmolded audio plug cordset with wire strain relief



Audio plug with shield termination porch, overmolding adapter and rigid contacts, crimp and solder cup



Overmolded audio plug cordset



In-line receptacle with shield termination porch, overmolding adapter, and non-rigid spring contacts, crimp and solder cup



Overmolded in-line audio receptacle cordset



Radio-mount jam nut audio receptacle with non-rigid spring contacts or PC tails and optional ground pins



Filtered radio-mount jam nut audio receptacle with non-rigid spring contacts, solder cup or PC tails

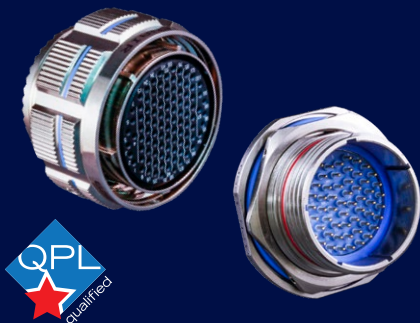


Special adapter configurations and protective covers

Glenair Mil-Spec Interconnect Technologies



Qualified Products: Glenair is a Mil-Aero connector supplier. Our product quality begins in engineering (the largest team in the high-performance interconnect business) and is realized in our “made in the USA” vertically-integrated manufacturing cells. One of the key ways we ensure both areas are functioning smoothly is to submit designs and manufactured specimens into the military QPL process administered by NAVSEA and the Defense Logistic Agency of the US government. These certification exercises are multi-year activities that test every aspect of an interconnect component’s performance.



MIL-DTL-38999 Series III Environmental Connectors



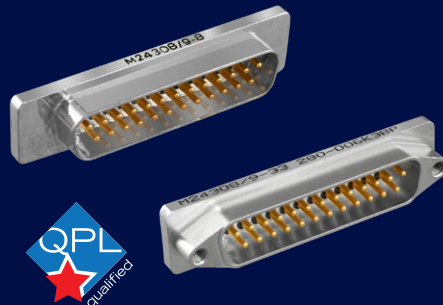
MIL-DTL-38999 Series IV Environmental Connectors



MIL-DTL-28840 Shipboard Connectors and Accessories



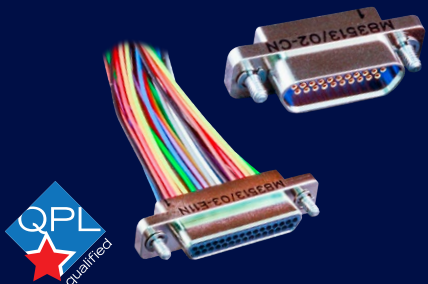
MIL-DTL-38999 Series I, II, III, and IV Hermetic Connectors



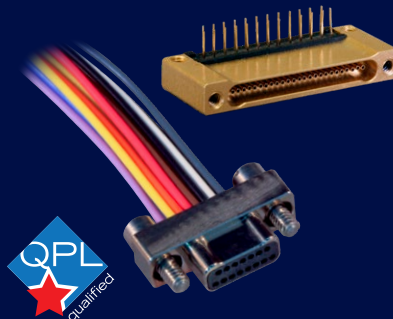
MIL-DTL-24308 Hermetic Connectors



MIL-DTL-28876 Shipboard Fiber Optic



MIL-DTL-83513 Micro-D Connectors and Accessories



MIL-DTL-32139 Nanominiature Connectors and Accessories



MIL-DTL-29504 Fiber Optic Termini and AS39029 Electrical Contacts



MIL-DTL-55116 Radio / Audio Connectors



807 NW Nett Warrior
Qualified Tactical Connectors



STAR-PAN Power / Data Hubs and
Tactical Cordsets



M85049 (AS85049) Backshells and
Connector Accessories



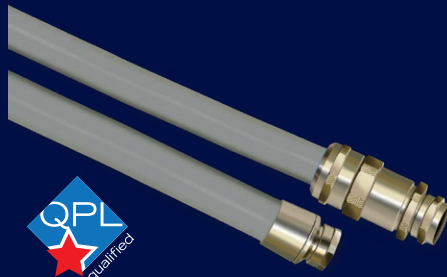
MIL-DTL-83723 Backshells and Connector
Accessories



M81511 (AS81511) Protective Covers and
Connector Accessories



M85049/140 TACOM-Approved and Navy-
Qualified 5617649 Shrink Boots



MIL-PRF-24758 NAVSEA-Qualified Conduit
and Fittings



M85049 Composite Backshells and Covers
for MIL-DTL-38999

GLENAIR'S COMMITMENT TO QUALITY

Glenair is proud of the quality and reliability we build into our broad range of mission-critical interconnect solutions—from discrete connectors to complex cable assemblies and embedded systems. Glenair is the biggest “made in the USA” interconnect supplier in the high-reliability industry, but we also operate factories in the UK, Italy, and Germany to serve the unique requirements of those markets. Glenair’s Worldwide Quality System is ISO 9001 and AS9100 certified and registered. We also hold many discrete product and operations certifications for specialty, high-performance markets including space, nuclear power, and rail. In addition to world-class quality, we are laser-focused on customer service and committed to being the easiest manufacturer in our industry to do business with. Here are just some of our key customer service principles:



- Lightning-fast turnarounds on quotes and special orders
- Worldwide sales and technical support in every major market
- Full-spectrum, “no gap” product lines
- No dollar or quantity minimums
- ISO 9001 and AS9100 certified
- Huge same-day shipment inventory
- Generous NRE, RMA, and sample request policies
- Abundant engineering and technical support
- No attitudinal constraints when it comes to customer convenience and service



MISSION-CRITICAL INTERCONNECT SOLUTIONS

Glenair, Inc.

1211 Air Way • Glendale, California • 91201-2497

Telephone: 818-247-6000 • Fax: 818-500-9912 • sales@glenair.com

www.glenair.com

Glenair East

20 Sterling Drive
Wallingford, CT
06492

Telephone:
203-741-1115
Facsimile:
203-741-0053
sales@glenair.com

Glenair UK Ltd

40 Lower Oakham Way
Oakham Business Park
Mansfield, Notts
NG18 5BY England

Telephone:
+44-1623-638100
Facsimile:
+44-1623-638111
sales@glenair.co.uk

Glenair Microway Systems

7000 North Lawndale Avenue
Lincolnwood, IL
60712

Telephone:
847-679-8833
Facsimile:
847-679-8849

Glenair Nordic AB

Gustav III:s Boulevard 42
SE-169 27 Solna
Sweden

Telephone:
+46-8-50550000
sales@glenair.se

Glenair GmbH

Schaberweg 28
61348 Bad Homburg
Germany

Telephone:
06172 / 68 16 0
Facsimile:
06172 / 68 16 90
info@glenair.de

Glenair Iberica S.L.

Av. De Manoteras, 24 – 2º
28050 Madrid
Spain

Telephone:
+34 915 562 687
sales@glenair.es

Glenair Italia S.p.A.

Via Del Lavoro, 7
40057 Quarto Inferiore –
Granarolo dell'Emilia
Bologna, Italy

Telephone:
+39-051-782811
Facsimile:
+39-051-782259
info@glenair.it

Glenair France SARL

7, Avenue Parmentier
Immeuble Central Parc #2
31200 Toulouse
France

Telephone:
+33-5-34-40-97-40
Facsimile:
+33-5-61-47-86-10
sales@glenair.fr

Glenair Korea

6-21Tapsil-ro 58beon-gil
Giheung-gu, Yongin-si
Gyeonggi-do
Republic of Korea

Telephone:
+82-07-5067-2437
Facsimile:
+82-504-375-4549
sales@glenair.kr

Glenair Japan

40F, Nagoya Lucent Tower,
6-1, Ushijima-cho,
Nishi-ku, Nagoya, 451-6040
Japan

Telephone:
+81-52-569-2521
Facsimile:
+81-52-569-2523
sales@glenair.jp