



**ENVIRONMENTALLY SEALED**

# **RF Connector Protective Covers and Accessories**

**FOR MIL-PRF-39012 AND OTHER MIL/AERO RF CONNECTORS**

AUGUST 2013

SERIES 65 & 66

# Radio Frequency Connector Covers and Accessories



## ***Military standard protective cover and stowage receptacle performance:***

- Reliable, robust protection against environmental and mechanical damage
- Wide range of heavy-duty protective cover attachment and lanyard options
- Military standard and high-performance Glenair materials and platings
- Heavy-duty performance for rugged application environments



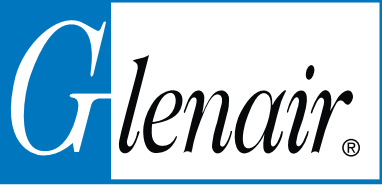
**G**lenair®

Glenair, Inc.  
1211 Air Way  
Glendale, CA  
91201-2497  
818-247-6000  
sales@glenair.com  
www.glenair.com

## RF Coax Connector Protective Covers and Accessories Table of Contents



Table of Contents	
<b>650-072</b> Dummy Stowage Receptacle for (Type HN) Coaxial RF Connectors	<b>4</b>
<b>650-073</b> Dummy Stowage Receptacle for Type MIL-PRF-39012 (SMA) Coaxial RF Connectors	<b>5</b>
<b>650-074</b> Dummy Stowage Receptacle for MIL-PRF-39012 (Type N) Coaxial RF Connectors	<b>6</b>
<b>650-075</b> Dummy Stowage Receptacle for Type MIL-PRF-39012 (TNC) Coaxial RF Connectors	<b>7</b>
<b>650-076</b> Dummy Stowage Receptacle for Type MIL-PRF-39012 (BNC) Coaxial RF Connectors	<b>8</b>
<b>660-101</b> Protective Dust Cover for (Type HN) Coaxial RF Plug Connectors	<b>9</b>
<b>660-102</b> Protective Dust Cover for (Type HN) Coaxial RF Receptacle Connectors	<b>10</b>
<b>660-103</b> Protective Dust Cover for Type MIL-PRF-39012 (SMA) Coaxial RF Plug Connectors	<b>11</b>
<b>660-104</b> Protective Dust Cover for Type MIL-PRF-39012 (SMA) Coaxial RF Receptacle Connectors	<b>12</b>
<b>660-105</b> Protective Dust Cover for Type MIL-PRF-39012 (Type N) Coaxial RF Plug Connectors	<b>13</b>
<b>660-106</b> Protective Dust Cover for Type MIL-PRF-39012 (Type N) Coaxial RF Receptacle Connectors	<b>14</b>
<b>660-107</b> Protective Dust Cover for Type MIL-PRF-39012 (Type TNC) Coaxial RF Plug Connectors	<b>15</b>
<b>660-108</b> Protective Dust Cover for Type MIL-PRF-39012 (Type TNC) Coaxial RF Receptacle Connectors	<b>16</b>
<b>660-109</b> Protective Dust Cover for Type MIL-PRF-39012 (Type BNC) Coaxial RF Plug Connectors	<b>17</b>
<b>660-110</b> Protective Dust Cover for Type MIL-PRF-39012 (Type BNC) Coaxial RF Receptacle Connectors	<b>18</b>
<b>667-127</b> Protective Receptacle Cover and Dummy Plug for MIL-DTL-38999 Series II Type BNC RF Coax Connectors	<b>19</b>



# RF Connector Protective Covers and Accessories Introduction

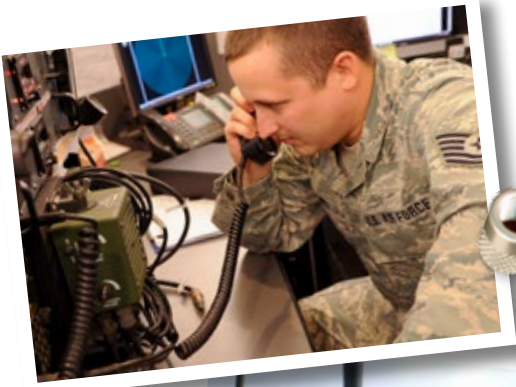


- **Stainless steel wire rope lanyards provide high pull strength, flexibility and durability**
- **Sash chain styles lie flat to equipment housings and panels**
- **Precision-machined storage receptacles, and plug and receptacle covers deliver up to 2000 mating/unmating cycles**
- **Wide range of mil-spec and commercial plating options ensure appropriate grounding and corrosion protection**



## *Environmental sealing, reliable attachment, and rugged performance*

MIL-PRF-39012 RF connectors are used in high-performance military and aerospace applications such as microwave radio, communication base stations, antennas, satellite communications, radar, and RF instrumentation. Proper environmental and mechanical protection of these mission-critical coaxial connectors relies on protective covers and stowage receptacles. Only Glenair offers the complete range of these accessories, in-stock and ready for immediate, same-day shipment. All components are precision machined and equipped with customer's choice of appropriate lanyard and attachment hardware.



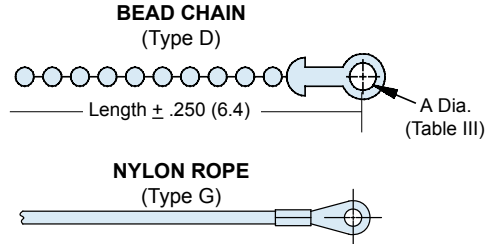
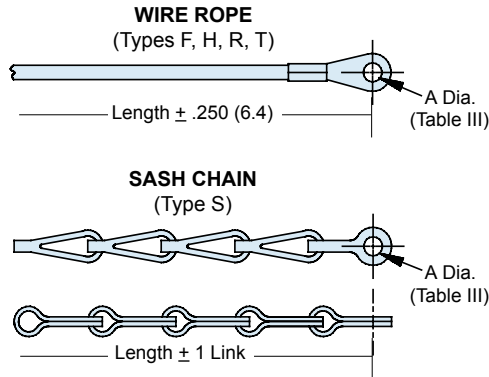
From satellite communications to microwave radio systems and base stations, Glenair RF connector protective covers help extend service life and protect valuable equipment



# RF Coax Connector Protective Covers Attachment Selections, Ring and Eyelet Dimensions



Table I: Attachments	
<b>Sym</b>	<b>Chain</b>
<b>D</b>	Bead Chain, Cres, Passivate
<b>S</b>	#8 Sash Chain, Cres, Passivate
<b>Sym</b>	<b>Wire Rope</b>
<b>F</b>	Wire Rope, Nylon Jacket
<b>H</b>	Wire Rope, Fluoropolymer Jacket
<b>R</b>	Wire Rope, PVC Jacket
<b>T</b>	Wire Rope, No Jacket
<b>Sym</b>	<b>Fabric Rope</b>
<b>G</b>	Flexible Nylon Rope
<b>Sym</b>	<b>None</b>
<b>N</b>	No Attachment
<b>NB</b>	No Lanyard or Attachment Boss



**NOTES**

- Slip/Crimp Sleeve (SCS) for Type G Nylon Cord only provides "slip knot" adjustment. May be crimped for permanent attachment.
- Crimp Ferrule (CF) for Type S Wire Rope only. Supplied loose for user termination.

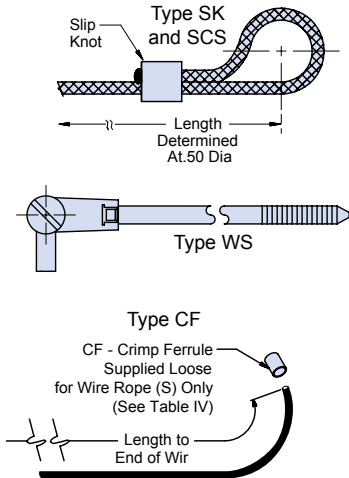


Table II: Materials and Finishes		
Code	Material	Finish
<b>M</b>	Aluminum Alloy 6061-T6	Electroless Nickel
<b>MT</b>		Nickel Fluoropolymer
<b>NF</b>		Cadmium, Olive Drab
<b>ZR</b>		Zinc-Nickel, Black
<b>ZI</b>	303 Stainless Steel	Passivate
<b>BM</b>	Brass	Brass - Electroless Nickel
<b>WB</b>		White Bronze (Non-Magnetic)

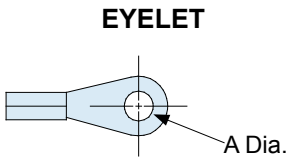


Table III: Eyelet	
Dash No.	P Dia ±.010 (0.3)
01	.140 (3.6)
04	.197 (5.0)
06	.125 (3.2)
09	.156 (4.0)
00	No Eyelet
WS	With Strap
SK	Slip Knot
SCS	Slip/Crimp Sleeve
CF	Crimp Ferrule (Loose)

**SOLID RING - Style A**

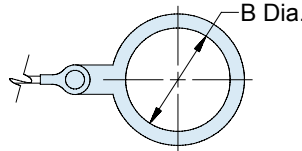


Table IV: Style A Ring Diameter	
Dash No.	N Dia ±.015 (0.4)
095	.312 (7.9)
100	.391 (9.9)
101	.516 (13.1)
102	.583 (14.8)
103	.641 (16.3)
105	.766 (19.5)
106	.896 (22.2)
107	1.016 (25.8)

**SPLIT RING - Style C**

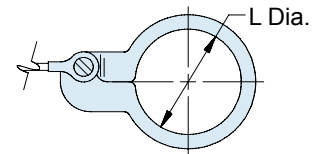


Table V: Style C Ring Diameter	
Dash No.	L Dia ±.015 (0.4)
52	.485 (12.3)
54	.640 (16.3)
56	.750 (19.1)
58	.890 (22.6)
60	1.015 (25.8)



# 650-072 Dummy Stowage Receptacle for RF Coax Type HN Connectors

**Basic Number**  
650-072 = Type HN

**Finish**  
(See Table II)

**650-072**

**NF**

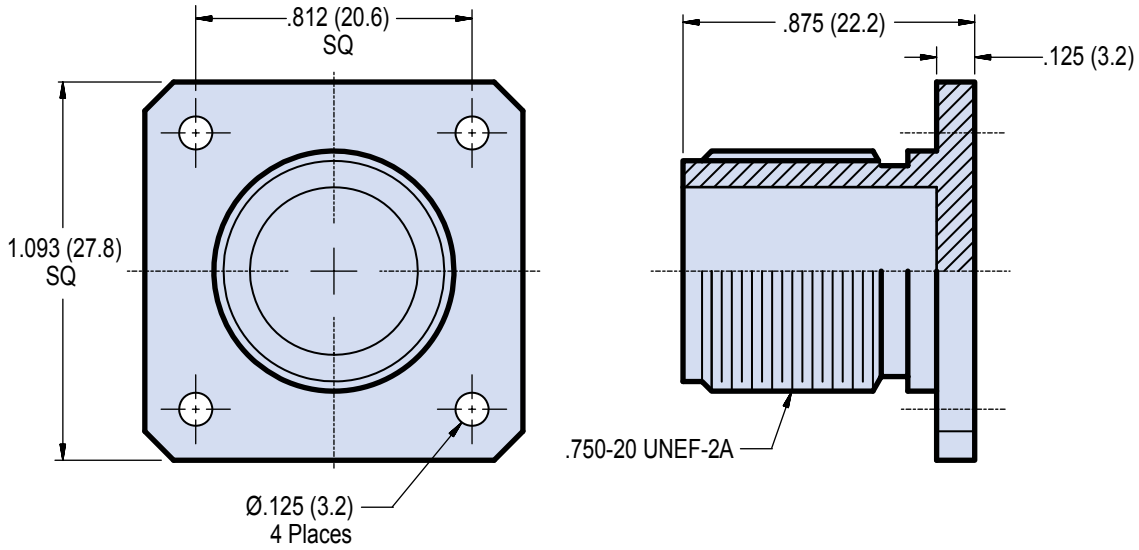
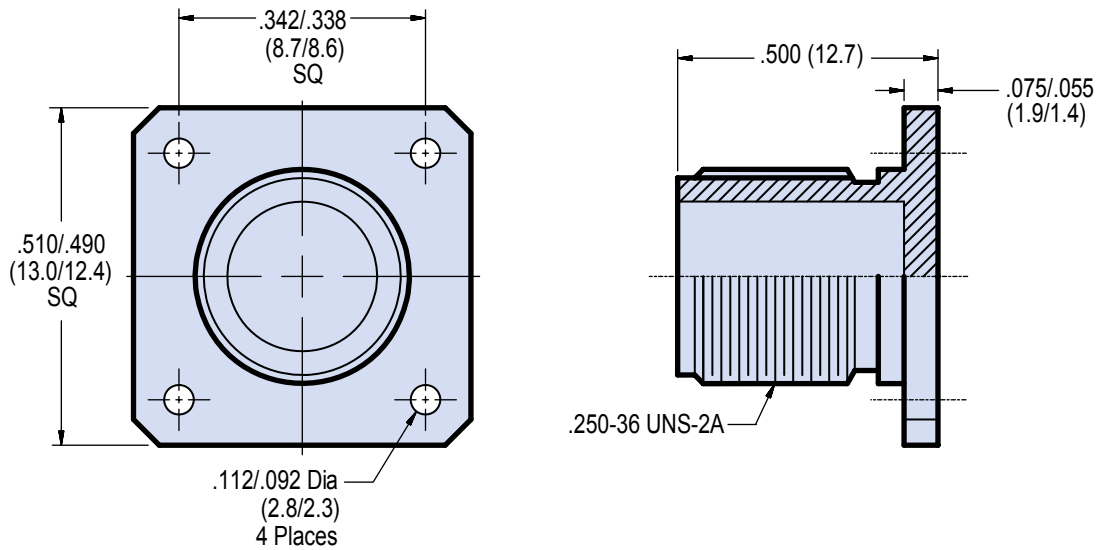
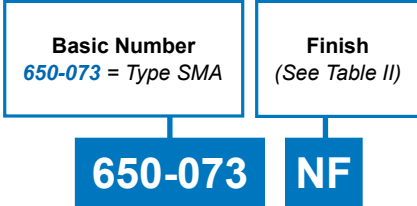


Table II: Materials and Finishes		
Code	Material	Finish
M	Aluminum Alloy 6061-T6	Electroless Nickel
MT		Nickel Fluoropolymer
NF		Cadmium, Olive Drab
ZR		Zinc-Nickel, Black
Z1	303 Stainless Steel	Passivate
BM	Brass	Brass - Electroless Nickel
WB		White Bronze (Non-Magnetic)

APPLICATION NOTES
1. Assembly identified with manufacturer's name and part number, space permitting.
2. Material/Finish - See Table II
3. Metric dimensions (mm) are in parentheses.

**650-073**  
**Dummy Storage Receptacle**  
 for MIL-PRF-39012 RF Coax Type SMA Connectors



**Table II: Materials and Finishes**

Code	Material	Finish
M	Aluminum Alloy 6061-T6	Electroless Nickel
MT		Nickel Fluoropolymer
NF		Cadmium, Olive Drab
ZR		Zinc-Nickel, Black
Z1	303 Stainless Steel	Passivate
BM	Brass	Brass - Electroless Nickel
WB		White Bronze (Non-Magnetic)

**APPLICATION NOTES**

1. Assembly identified with manufacturer's name and part number, space permitting.
2. Material/Finish - See Table II
3. Metric dimensions (mm) are in parentheses.



# 650-074 Dummy Stowage Receptacle for MIL-PRF-39012 RF Coax Type N Connectors

<b>Basic Number</b> 650-074 = Type N	<b>Finish</b> (See Table II)
650-074	NF

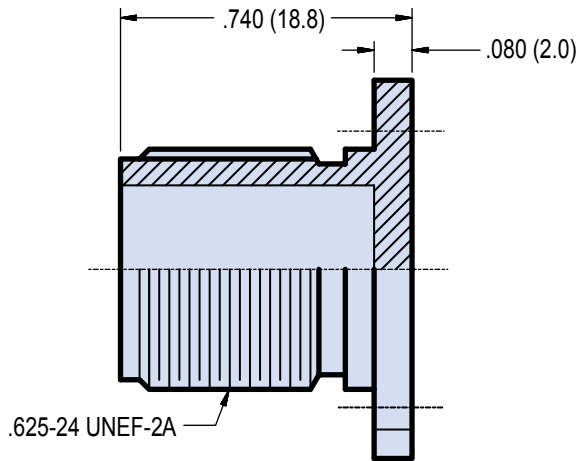
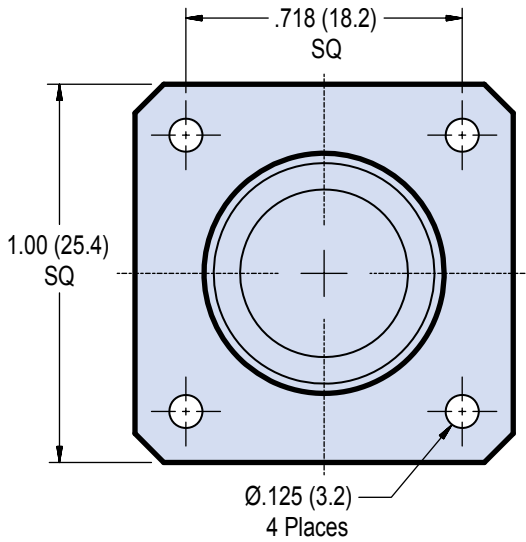


Table II: Materials and Finishes		
Code	Material	Finish
M	Aluminum Alloy 6061-T6	Electroless Nickel
MT		Nickel Fluoropolymer
NF		Cadmium, Olive Drab
ZR		Zinc-Nickel, Black
Z1	303 Stainless Steel	Passivate
BM	Brass	Brass - Electroless Nickel
WB		White Bronze (Non-Magnetic)

APPLICATION NOTES
1. Assembly identified with manufacturer's name and part number, space permitting.
2. Material/Finish - See Table II.
3. Metric dimensions (mm) are in parentheses.



**650-075**  
**Dummy Storage Receptacle**  
 for MIL-PRF-39012 RF Coax Type TNC Connectors

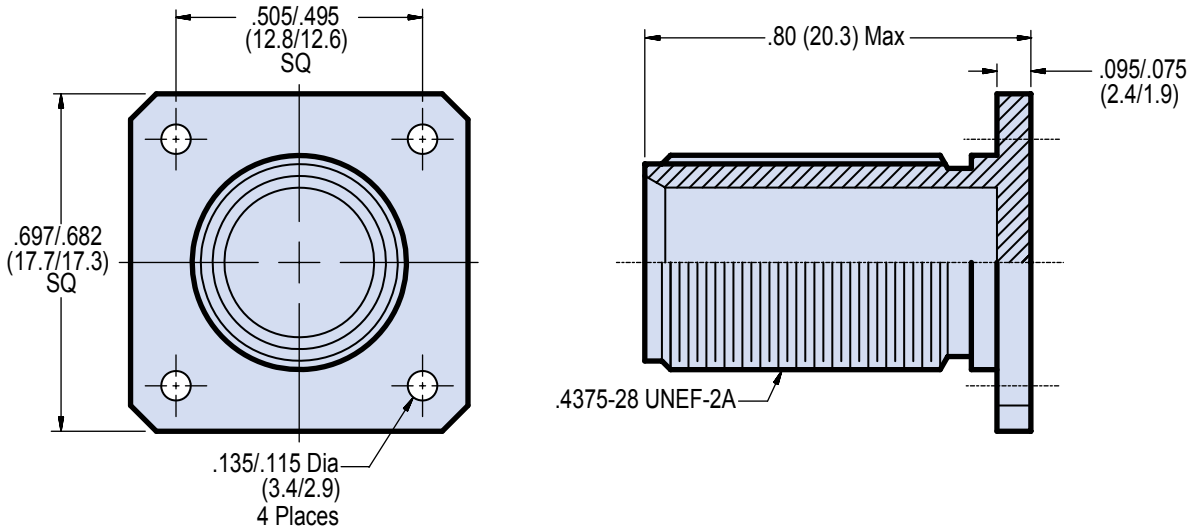
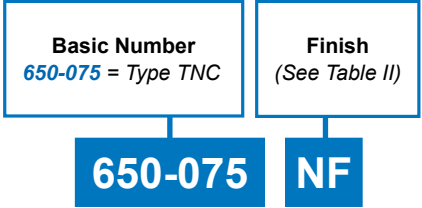


Table II: Materials and Finishes		
Code	Material	Finish
M	Aluminum Alloy 6061-T6	Electroless Nickel
MT		Nickel Fluoropolymer
NF		Cadmium, Olive Drab
ZR		Zinc-Nickel, Black
Z1	303 Stainless Steel	Passivate
BM	Brass	Brass - Electroless Nickel
WB		White Bronze (Non-Magnetic)

- APPLICATION NOTES**
1. Assembly identified with manufacturer's name and part number, space permitting.
  2. Material/Finish - See Table II.
  3. Metric dimensions (mm) are in parentheses.



# 650-076 Dummy Storage Receptacle for MIL-PRF-39012 RF Coax Type BNC Connectors

<b>Basic Number</b> 650-076 = Type BNC	<b>Finish</b> (See Table II)
650-076	NF

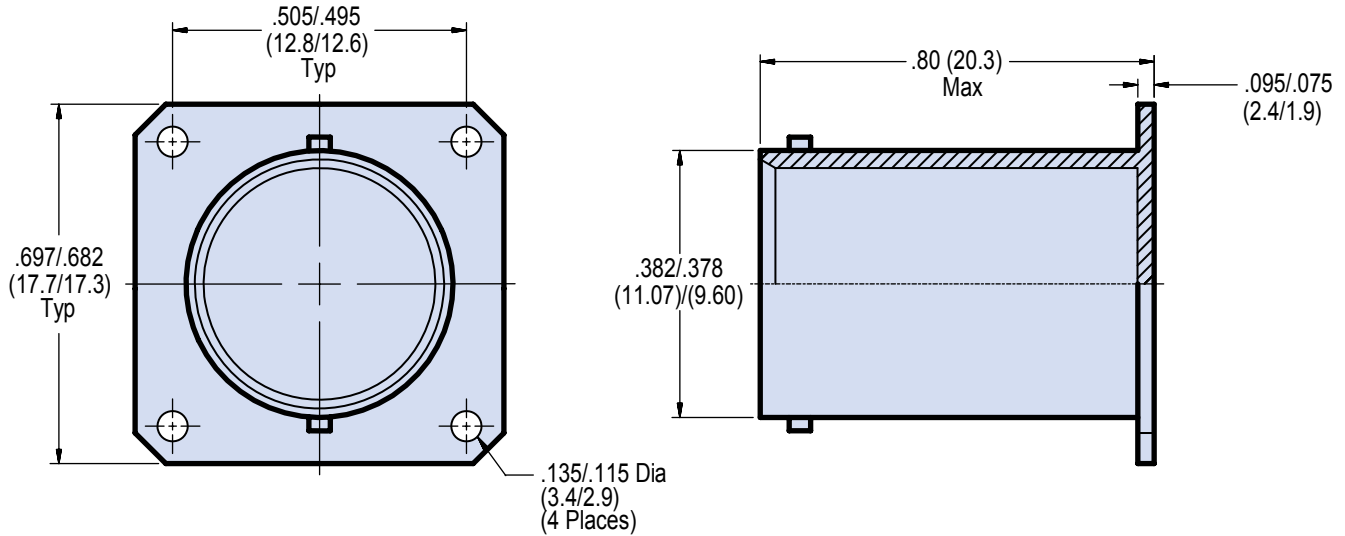
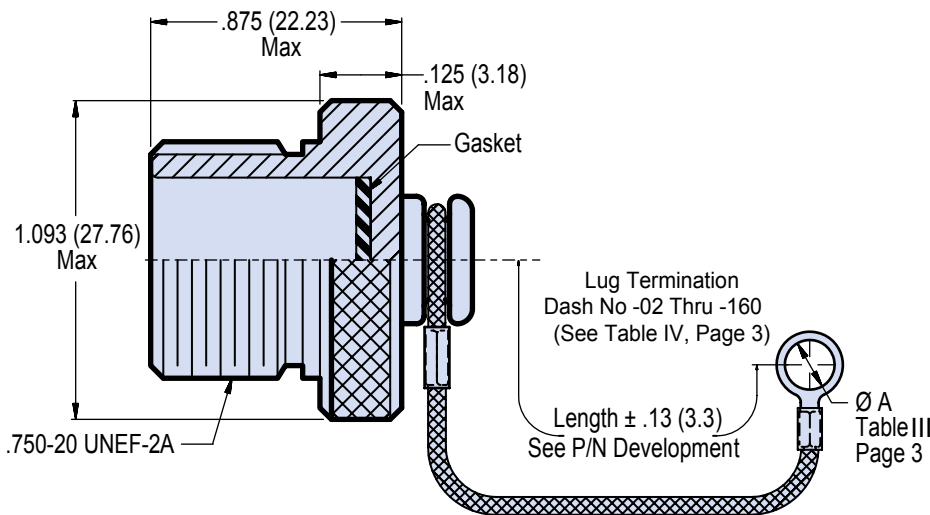
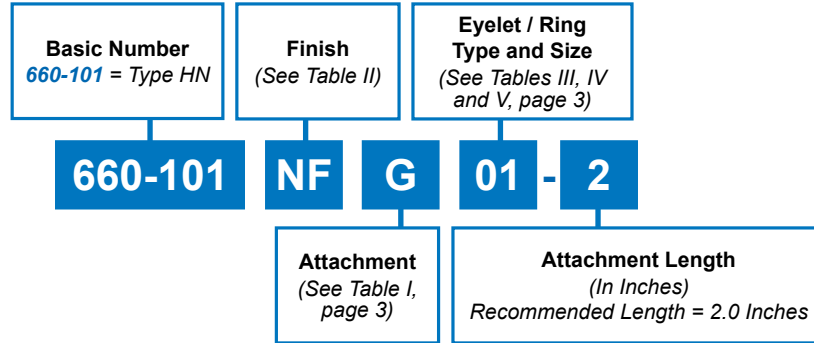


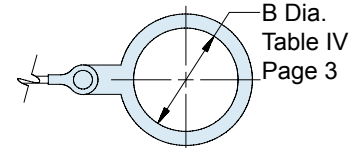
Table II: Materials and Finishes		
Code	Material	Finish
M	Aluminum Alloy 6061-T6	Electroless Nickel
MT		Nickel Fluoropolymer
NF		Cadmium, Olive Drab
ZR		Zinc-Nickel, Black
Z1	303 Stainless Steel	Passivate
BM	Brass	Brass - Electroless Nickel
WB		White Bronze (Non-Magnetic)

APPLICATION NOTES
1. Assembly identified with manufacturer's name and part number, space permitting.
2. Material/Finish - See Table II.
3. Metric dimensions (mm) are in parentheses.

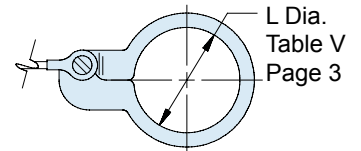
# 660-101 Plug Dust Cover for RF Coax Type HN Connectors



### SOLID RING - Style A



### SPLIT RING - Style C



**Table II: Materials and Finishes**

Code	Material	Finish
M	Aluminum Alloy 6061-T6	Electroless Nickel
MT		Nickel Fluoropolymer
NF		Cadmium, Olive Drab
ZR		Zinc-Nickel, Black
Z1	303 Stainless Steel	Passivate
BM	Brass	Brass - Electroless Nickel
WB		White Bronze (Non-Magnetic)

### Material and Finishes:

Gaskets – Silicone or neoprene/N.A.

Attachments – See page 3

Covers – Aluminum alloy, brass, stainless steel/See Table II below for finishes

Crimp Rings and Eyelets – CRES/passivate

*Composite and other materials and finishes available.*

*Please consult factory*

### APPLICATION NOTES

1. Assembly identified with manufacturer's name and part number, space permitting.
2. Attachment to withstand 25 Lb. pull test.
3. A = Maximum diameter over which mandrel will rotate freely (see Table IV, page 3).
4. Metric dimensions (mm) are in parentheses.



# 660-102 Receptacle Dust Cover for RF Coax Type HN Connectors

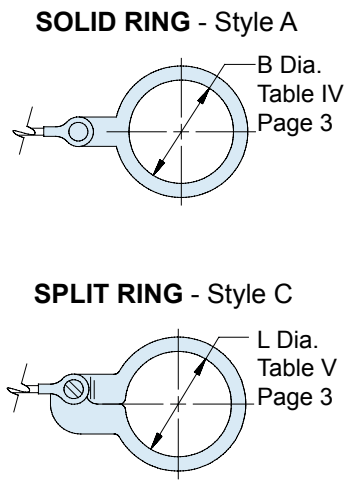
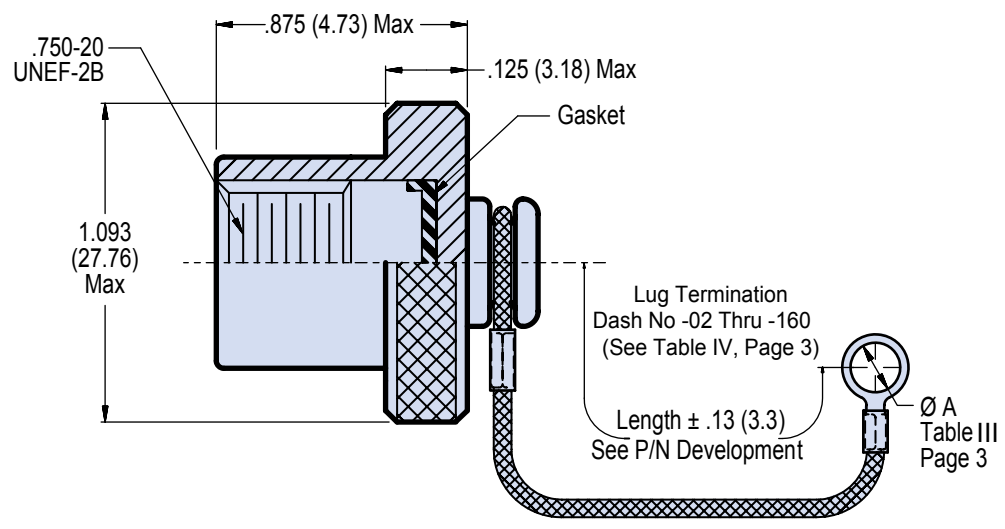
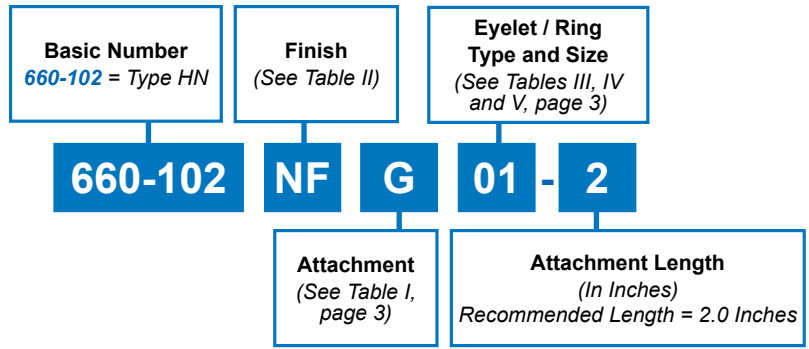
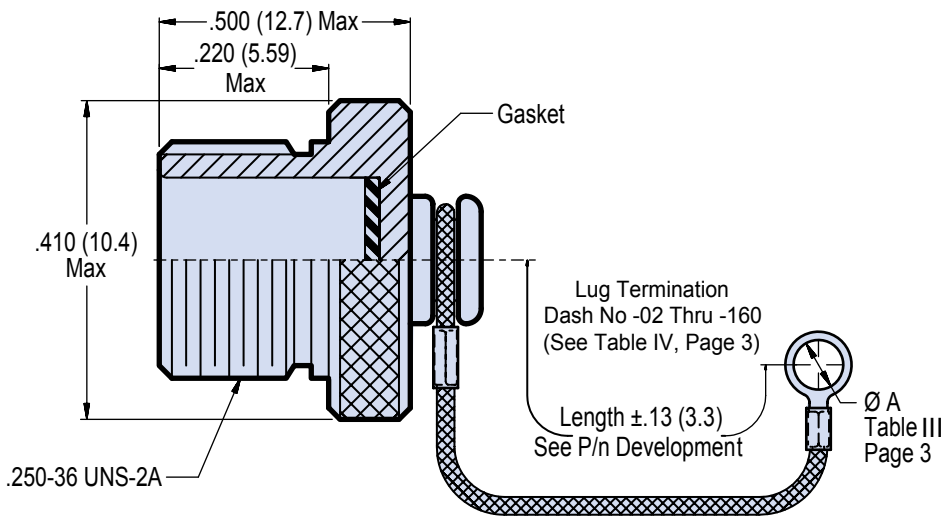
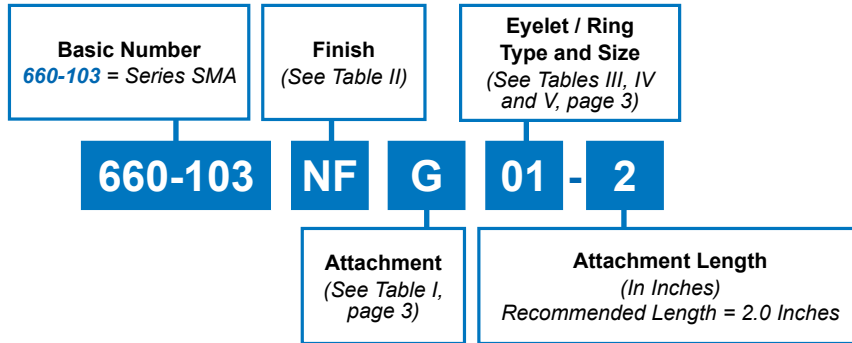


Table II: Materials and Finishes		
Code	Material	Finish
M	Aluminum Alloy 6061-T6	Electroless Nickel
MT		Nickel Fluoropolymer
NF		Cadmium, Olive Drab
ZR		Zinc-Nickel, Black
Z1	303 Stainless Steel	Passivate
BM	Brass	Brass - Electroless Nickel
WB		White Bronze (Non-Magnetic)

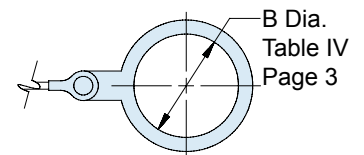
**Material and Finishes:**  
 Gaskets – Silicone or neoprene/N.A.  
 Attachments – See page 3  
 Covers – Aluminum alloy, brass, stainless steel/See Table II below for finishes  
 Crimp Rings and Eyelets – CRES/passivate  
 Composite and other materials and finishes available.  
 Please consult factory

APPLICATION NOTES
1. Assembly identified with manufacturer's name and part number, space permitting.
2. Attachment to withstand 25 Lb. pull test.
3. A = Maximum diameter over which mandrel will rotate freely (see Table IV, page 3).
4. Metric dimensions (mm) are in parentheses.

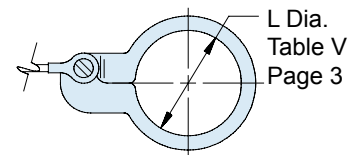
**660-103**  
**Plug Dust Cover**  
 for MIL-PRF-39012 RF Coax Type SMA Connectors



**SOLID RING - Style A**



**SPLIT RING - Style C**



**Table II: Materials and Finishes**

Code	Material	Finish
M	Aluminum Alloy 6061-T6	Electroless Nickel
MT		Nickel Fluoropolymer
NF		Cadmium, Olive Drab
ZR		Zinc-Nickel, Black
Z1	303 Stainless Steel	Passivate
BM	Brass	Brass - Electroless Nickel
WB		White Bronze (Non-Magnetic)

**Material and Finishes:**

Gaskets – Silicone or neoprene/N.A.  
 Attachments – See page 3  
 Covers – Aluminum alloy, brass, stainless steel/See Table II below for finishes  
 Crimp Rings and Eyelets – CRES/passivate

*Composite and other materials and finishes available.  
 Please consult factory*

**APPLICATION NOTES**

1. Assembly identified with manufacturer's name and part number, space permitting.
2. Attachment to withstand 25 Lb. pull test.
3. A = Maximum diameter over which mandrel will rotate freely (see Table IV, page 3).
4. Metric dimensions (mm) are in parentheses.



# 660-104 Receptacle Dust Cover for MIL-PRF-39012 RF Coax Series SMA Connectors

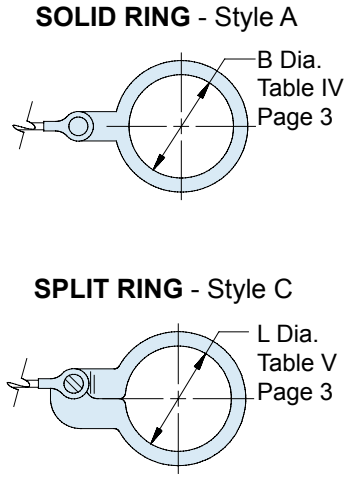
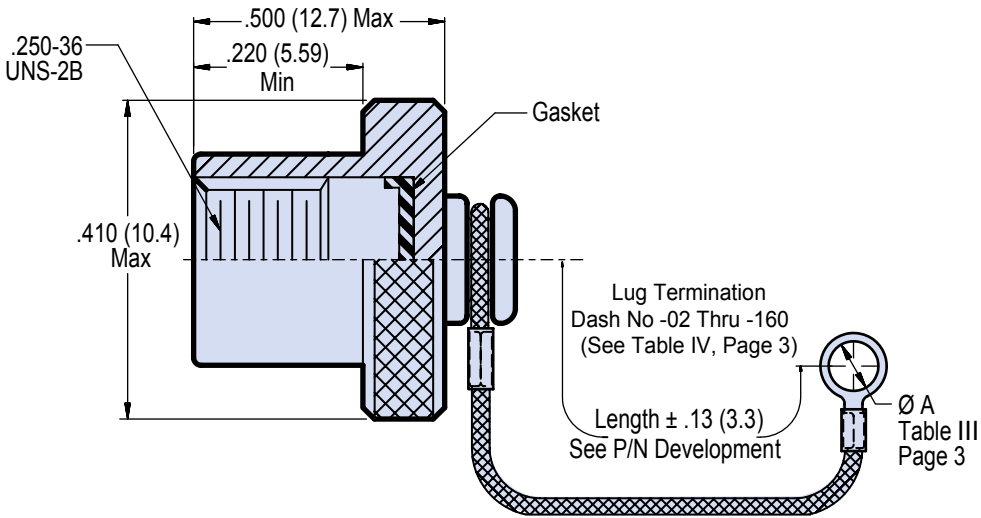
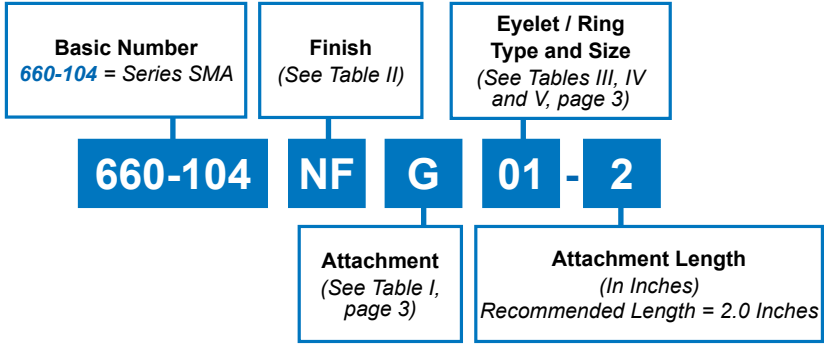
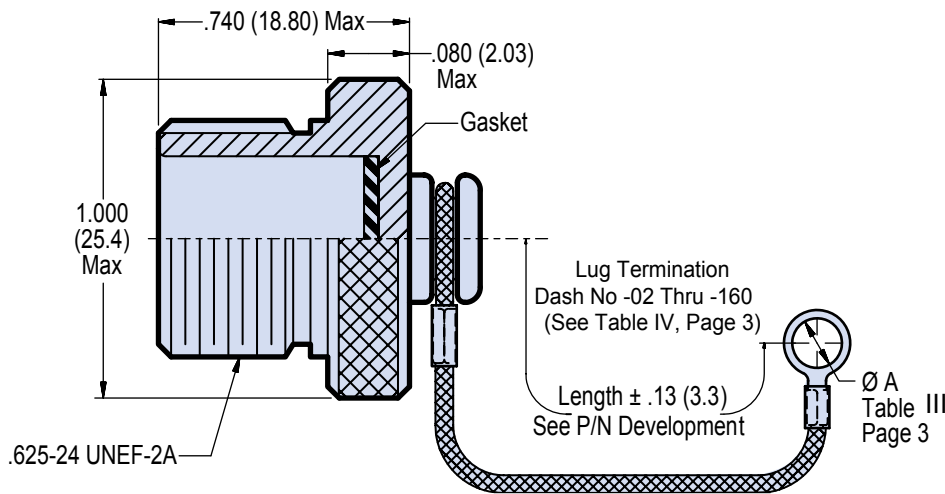
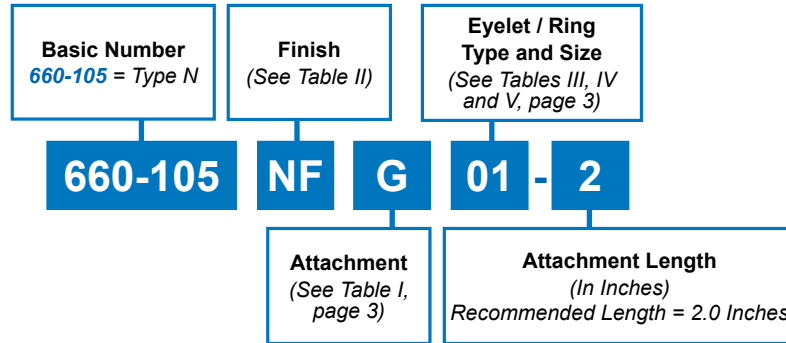


Table II: Materials and Finishes		
Code	Material	Finish
M	Aluminum Alloy 6061-T6	Electroless Nickel
MT		Nickel Fluoropolymer
NF		Cadmium, Olive Drab
ZR		Zinc-Nickel, Black
Z1	303 Stainless Steel	Passivate
BM	Brass	Brass - Electroless Nickel
WB		White Bronze (Non-Magnetic)

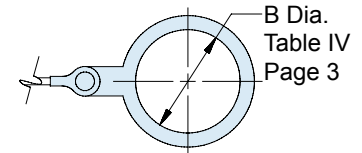
**Material and Finishes:**  
 Gaskets – Silicone or neoprene/N.A.  
 Attachments – See page 3  
 Covers – Aluminum alloy, brass, stainless steel/See Table II below for finishes  
 Crimp Rings and Eyelets – CRES/passivate  
 Composite and other materials and finishes available.  
 Please consult factory

- | APPLICATION NOTES  |
|--|
| <ol style="list-style-type: none"> <li>1. Assembly identified with manufacturer's name and part number, space permitting.</li> <li>2. Attachment to withstand 25 Lb. pull test.</li> <li>3. A = Maximum diameter over which mandrel will rotate freely (see Table IV, page 3).</li> <li>4. Metric dimensions (mm) are in parentheses.</li> </ol> |

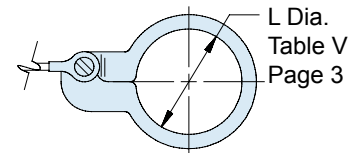
**660-105**  
**Plug Dust Cover**  
 for MIL-PRF-39012 RF Coax Type N Connectors



**SOLID RING - Style A**



**SPLIT RING - Style C**



**Table II: Materials and Finishes**

Code	Material	Finish
M	Aluminum Alloy 6061-T6	Electroless Nickel
MT		Nickel Fluoropolymer
NF		Cadmium, Olive Drab
ZR		Zinc-Nickel, Black
Z1	303 Stainless Steel	Passivate
BM	Brass	Brass - Electroless Nickel
WB		White Bronze (Non-Magnetic)

**Material and Finishes:**

Gaskets – Silicone or neoprene/N.A.  
 Attachments – See page 3  
 Covers – Aluminum alloy, brass, stainless steel/See Table II below for finishes  
 Crimp Rings and Eyelets – CRES/passivate

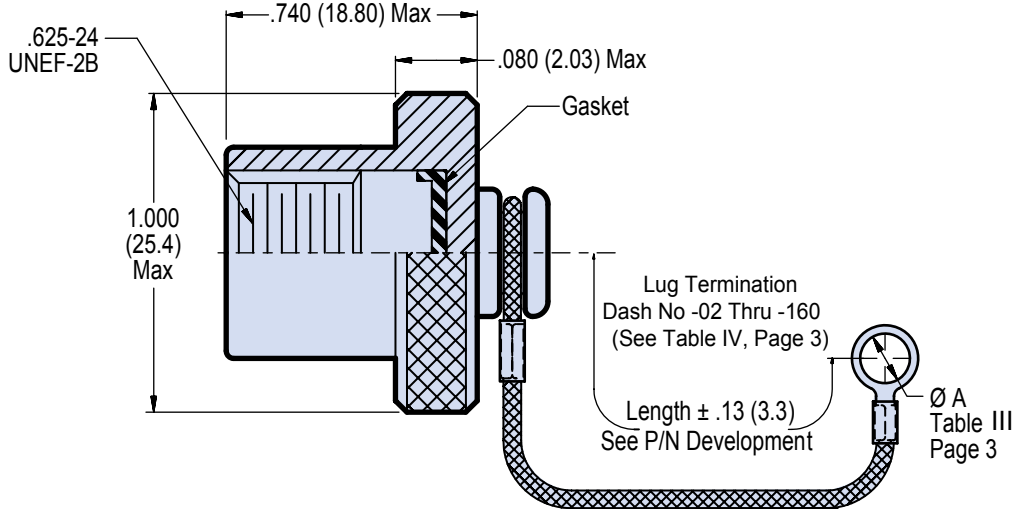
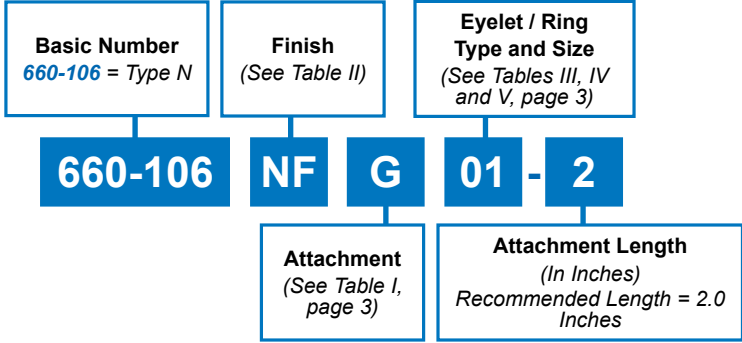
*Composite and other materials and finishes available.  
 Please consult factory*

**APPLICATION NOTES**

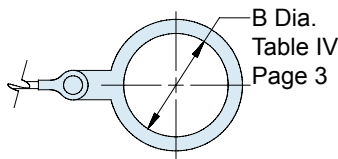
1. Assembly identified with manufacturer's name and part number, space permitting.
2. Attachment to withstand 25 Lb. pull test.
3. A = Maximum diameter over which mandrel will rotate freely (see Table IV, page 3).
4. Metric dimensions (mm) are in parentheses.



# 660-106 Receptacle Dust Cover for MIL-PRF-39012 RF Coax Type N Connectors



**SOLID RING - Style A**



**SPLIT RING - Style C**

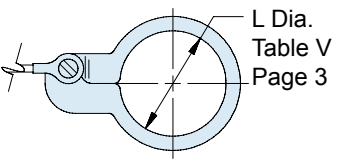


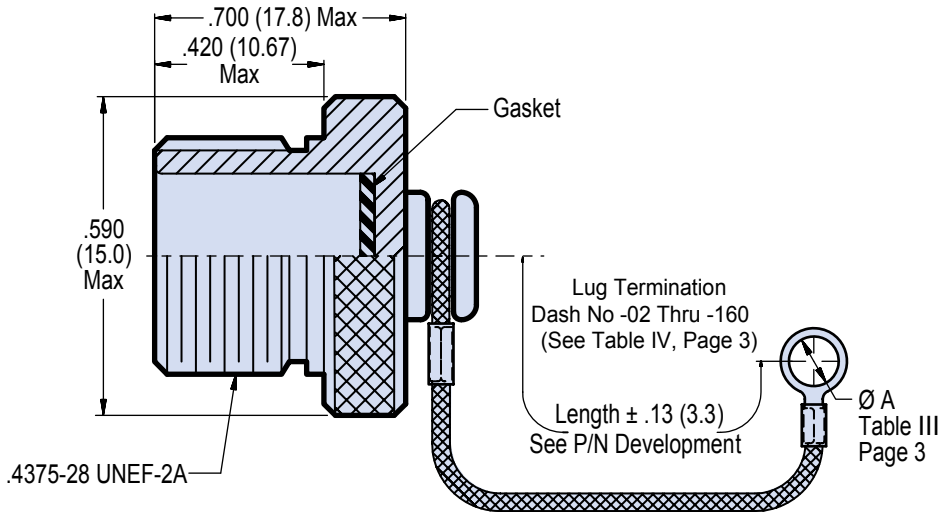
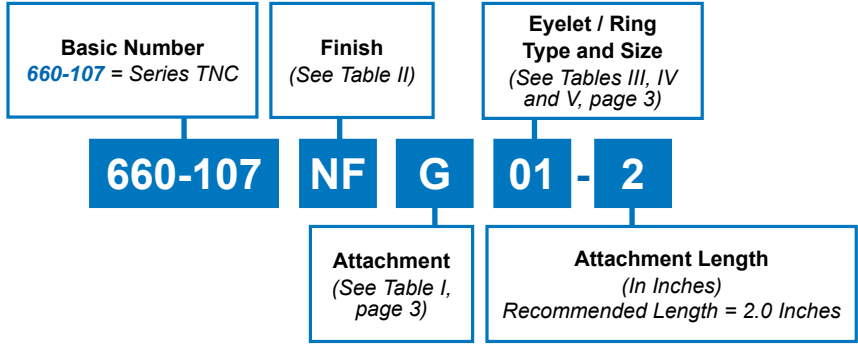
Table II: Materials and Finishes		
Code	Material	Finish
M	Aluminum Alloy 6061-T6	Electroless Nickel
MT		Nickel Fluoropolymer
NF		Cadmium, Olive Drab
ZR		Zinc-Nickel, Black
Z1	303 Stainless Steel	Passivate
BM	Brass	Brass - Electroless Nickel
WB		White Bronze (Non-Magnetic)

**Material and Finishes:**  
 Gaskets – Silicone or neoprene/N.A.  
 Attachments – See page 3  
 Covers – Aluminum alloy, brass, stainless steel/See Table II below for finishes  
 Crimp Rings and Eyelets – CRES/passivate  
  
*Composite and other materials and finishes available.  
 Please consult factory*

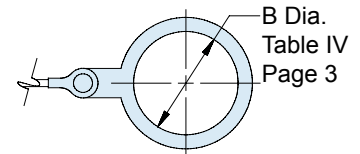
- | APPLICATION NOTES  |
|--|
| <ol style="list-style-type: none"> <li>1. Assembly identified with manufacturer's name and part number, space permitting.</li> <li>2. Attachment to withstand 25 Lb. pull test.</li> <li>3. A = Maximum diameter over which mandrel will rotate freely (see Table IV, page 3).</li> <li>4. Metric dimensions (mm) are in parentheses.</li> </ol> |



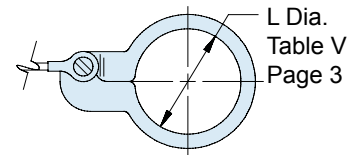
**660-107**  
**Plug Dust Cover**  
 for MIL-PRF-39012 RF Coax Series TNC Connectors



**SOLID RING - Style A**



**SPLIT RING - Style C**



Code	Material	Finish
<b>M</b>	Aluminum Alloy 6061-T6	Electroless Nickel
<b>MT</b>		Nickel Fluoropolymer
<b>NF</b>		Cadmium, Olive Drab
<b>ZR</b>		Zinc-Nickel, Black
<b>Z1</b>	303 Stainless Steel	Passivate
<b>BM</b>	Brass	Brass - Electroless Nickel
<b>WB</b>		White Bronze (Non-Magnetic)

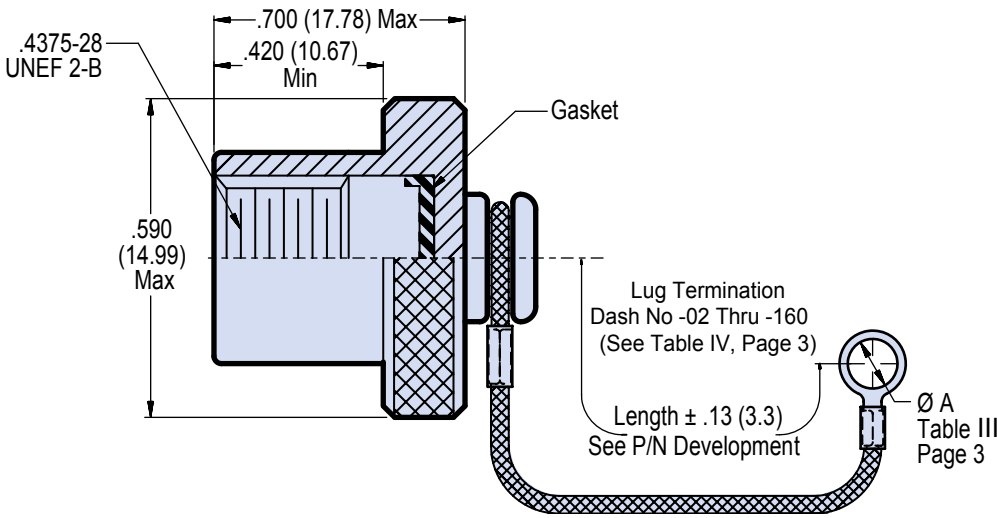
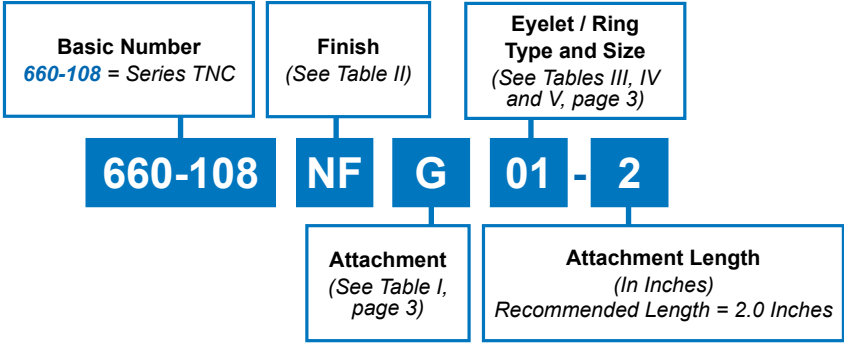
**Material and Finishes:**

Gaskets – Silicone or neoprene/N.A.  
 Attachments – See page 3  
 Covers – Aluminum alloy, brass, stainless steel/See Table II below for finishes  
 Crimp Rings and Eyelets – CRES/passivate  
 Composite and other materials and finishes available.  
 Please consult factory

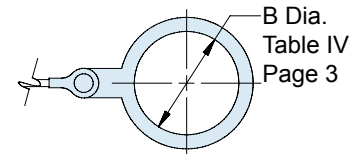
<ol style="list-style-type: none"> <li>1. Assembly identified with manufacturer's name and part number, space permitting.</li> <li>2. Attachment to withstand 25 Lb. pull test.</li> <li>3. A = Maximum diameter over which mandrel will rotate freely (see Table IV, page 3).</li> <li>4. Metric dimensions (mm) are in parentheses.</li> </ol>
--



# 660-108 Receptacle Dust Cover for MIL-PRF-39012 RF Coax Type TNC Connectors



**SOLID RING - Style A**



**SPLIT RING - Style C**

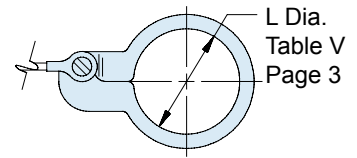


Table II: Materials and Finishes		
Code	Material	Finish
M	Aluminum Alloy 6061-T6	Electroless Nickel
MT		Nickel Fluoropolymer
NF		Cadmium, Olive Drab
ZR		Zinc-Nickel, Black
Z1	303 Stainless Steel	Passivate
BM	Brass	Brass - Electroless Nickel
WB		White Bronze (Non-Magnetic)

**Material and Finishes:**

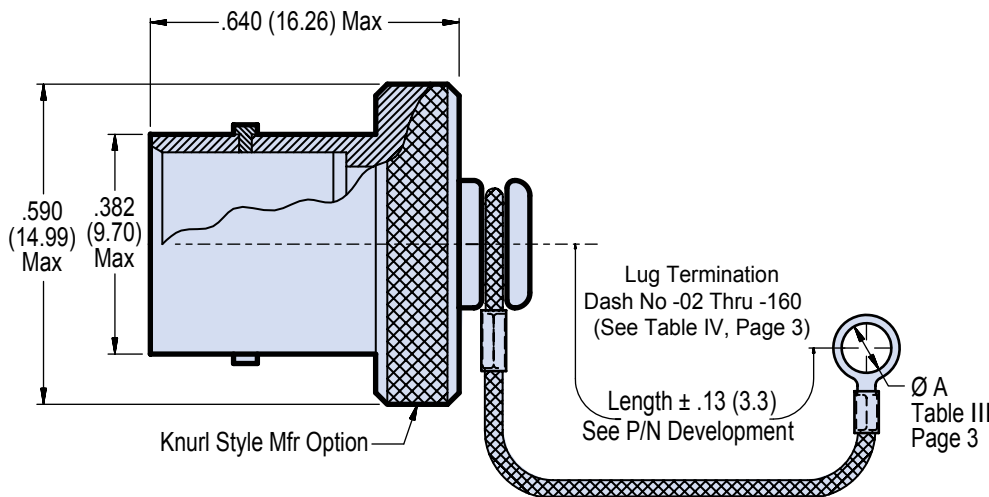
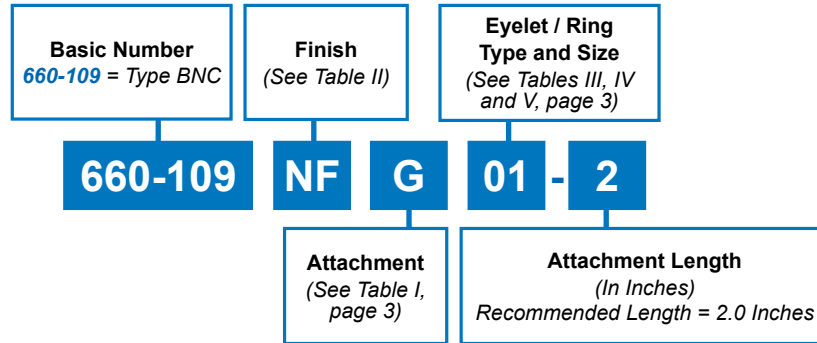
Gaskets – Silicone or neoprene/N.A.  
 Attachments – See page 3  
 Covers – Aluminum alloy, brass, stainless steel/See Table II below for finishes  
 Crimp Rings and Eyelets – CRES/passivate

*Composite and other materials and finishes available.  
 Please consult factory*

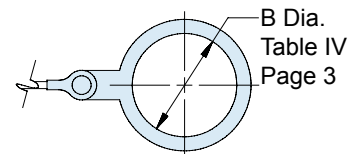
**APPLICATION NOTES**

1. Assembly identified with manufacturer's name and part number, space permitting.
2. Attachment to withstand 25 Lb. pull test.
3. A = Maximum diameter over which mandrel will rotate freely (see Table IV, page 3).
4. Metric dimensions (mm) are in parentheses.

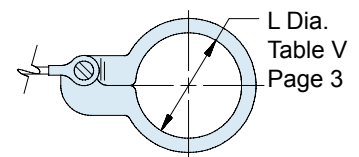
**660-109**  
**Plug Dust Cover**  
 for MIL-PRF-39012 Type BNC Male RF Coax Connectors



**SOLID RING - Style A**



**SPLIT RING - Style C**



Code	Material	Finish
<b>M</b>	Aluminum Alloy 6061-T6	Electroless Nickel
<b>MT</b>		Nickel Teflon
<b>NF</b>		Cadmium, Olive Drab
<b>ZR</b>		Zinc-Nickel, Black
<b>Z1</b>	303 Stainless Steel	Passivate
<b>BM</b>	Brass	Brass - Electroless Nickel
<b>WB</b>		White Bronze (Non-Magnetic)

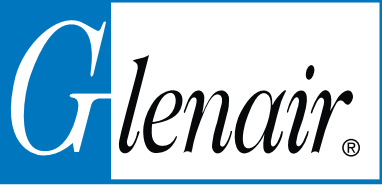
**Material and Finishes:**

Rivets, bayonet pins – CRES/Passivate  
 Gaskets – Silicone or neoprene/N.A.  
 Attachments – See page 3  
 Covers – Aluminum alloy, brass, stainless steel/See Table II below for finishes  
 Crimp Rings and Eyelets – CRES/passivate

*Composite and other materials and finishes available.  
 Please consult factory*

**APPLICATION NOTES**

1. Assembly identified with manufacturer's name and part number, space permitting.
2. Attachment to withstand 25 Lb. pull test.
3. A = Maximum diameter over which mandrel will rotate freely (see Table IV, page 3).
4. Metric dimensions (mm) are in parentheses.



# 660-110 Receptacle Dust Cover for MIL-PRF-39012 Type BNC RF Coax Connectors

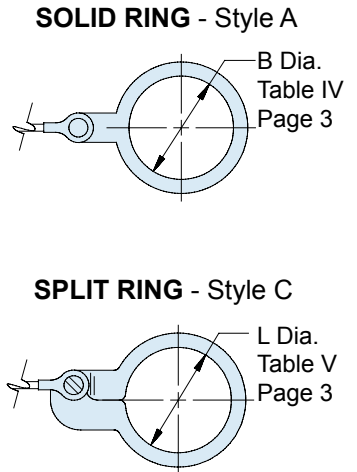
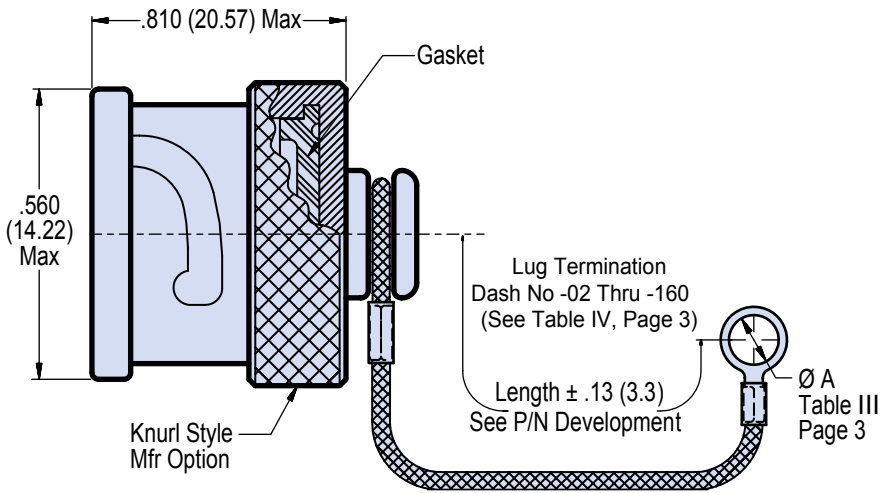
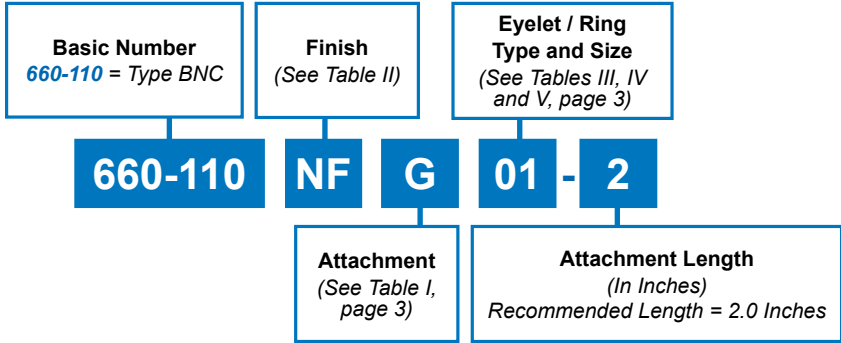


Table II: Materials and Finishes		
Code	Material	Finish
M	Aluminum Alloy 6061-T6	Electroless Nickel
MT		Nickel Fluoropolymer
NF		Cadmium, Olive Drab
ZR		Zinc-Nickel, Black
Z1	303 Stainless Steel	Passivate
BM	Brass	Brass - Electroless Nickel
WB		White Bronze (Non-Magnetic)

**Material and Finishes:**  
 Gaskets – Silicone or neoprene/N.A.  
 Attachments – See page 3  
 Covers – Aluminum alloy, brass, stainless steel/See Table II below for finishes  
 Crimp Rings and Eyelets – CRES/passivate

*Composite and other materials and finishes available.  
 Please consult factory*

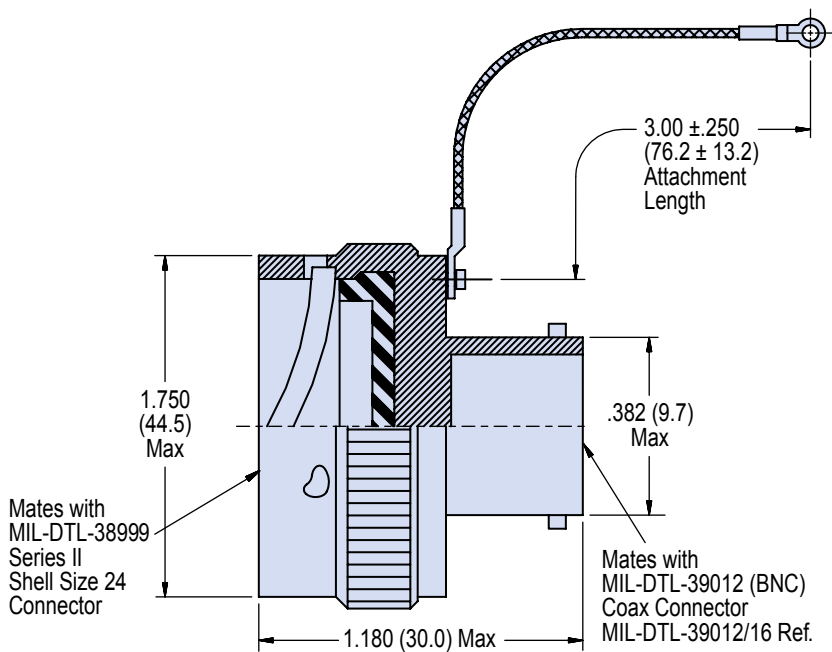
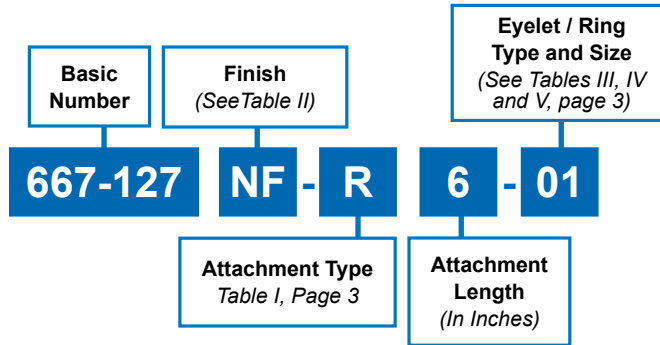
- | APPLICATION NOTES  |
|--|
| <ol style="list-style-type: none"> <li>1. Assembly identified with manufacturer's name and part number, space permitting.</li> <li>2. Attachment to withstand 25 Lb. pull test.</li> <li>3. A = Maximum diameter over which mandrel will rotate freely (see Table IV, page 3).</li> <li>4. Metric dimensions (mm) are in parentheses.</li> </ol> |

# 667-127

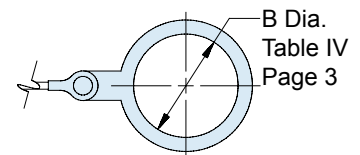
**Special Protective Receptacle Cover and Dummy Plug for MIL-DTL-38999 Series II and Type BNC RF Coax Connectors**  
**Mates with MIL-DTL-39012 BNC RF Coax Connectors**



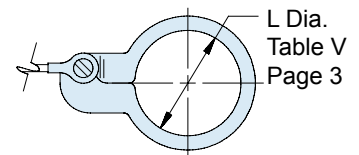
RF Connector Covers and Accessories



### SOLID RING - Style A



### SPLIT RING - Style C



**Table II: Materials and Finishes**

Code	Material	Finish
M	Aluminum Alloy 6061-T6	Electroless Nickel
MT		Nickel Fluoropolymer
NF		Cadmium, Olive Drab
ZR		Zinc-Nickel, Black
Z1	303 Stainless Steel	Passivate
BM	Brass	Brass - Electroless Nickel
WB		White Bronze (Non-Magnetic)

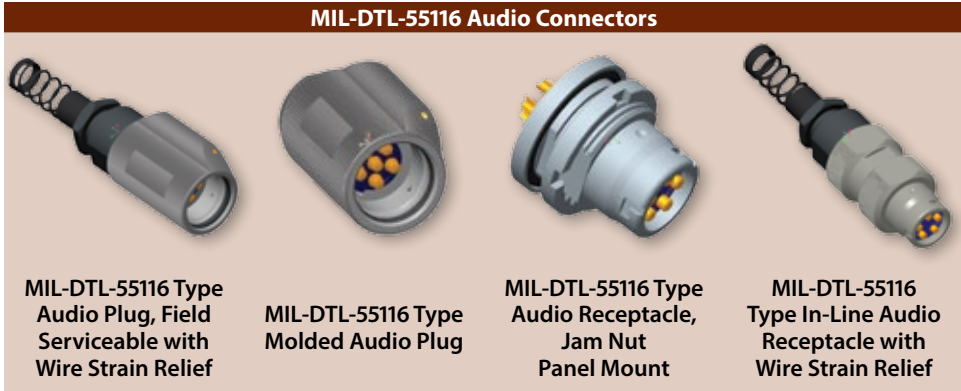
### Material and Finishes:

Gaskets – Silicone or neoprene/N.A.  
 Attachments – See page 3  
 Covers – Aluminum alloy, brass, stainless steel/See Table II below for finishes  
 Crimp Rings and Eyelets – CRES/passivate

*Composite and other materials and finishes available. Please consult factory*



**Also Available from Glenair:  
MIL-DTL-55116 Type  
High-Performance Audio/Radio Connectors**



- IAW MIL-DTL-55116
- Advanced performance versions include improved sealing, package size reduction, and lightweight material options
- Overmolded cordsets
- Fully intermateable and intermountable with all industry-standard MIL-DTL-55116 connectors

***MIL-DTL-55116 type audio connectors for high-reliability, mission-critical communication systems—now available with advanced performance features including size/weight reduction and improved sealing***

MIL-DTL-55116 Specifications	
Current Rating	5 AMPS
DWV	500 VAC sea level, high altitude 300 VAC
Insulation Resistance	1000 megohms minimum
Operating Temperature	-55° C. to +85° C.
Contact Resistance	0.050 ohms maximum
Water Immersion, Mated	6 ft, 48 hrs, mated condition, no leakage
Water Ingress, Mated	Ingress protection 67
Durability	3000 cycles of mating

Series 151 (standard) and 152 (advanced performance) MIL-DTL-55116 Type audio connectors are designed for high-reliability, severe environment radio communications equipment. They are available in both 5 pin and 6 pin configurations, with either crimp sleeve or solder cup pogo pin terminals. All feature versatile wire strain relief to protect cable conductors from damage. Shells are made of passivated stainless steel, contacts are gold plated copper alloy. Plug connector contacts are sealed in the unmated condition.

Connector Type	Contact Type	Contact Layout	MIL SPEC Slash Sheet	IAW MIL-DTL-55116	Glenair High Performance	Mates with
Cable Plug, with Strain Relief U-229	Crimp	5	M55116/1	151-001-1	152-001-1	151-003-1, 151-004-1, 151-004-3
		6	M55116/2	151-001-2	152-001-2	151-003-2, 151-004-2, 151-004-4
	Solder	5	M55116/3	151-001-3	152-001-3	151-003-1, 151-004-1, 151-004-3
		6	M55116/4	151-001-4	152-001-4	151-003-2, 151-004-2, 151-004-4
Cable Plug, Molded U-182	Crimp	5	M55116/5	151-002-1	152-002-1	151-003-1, 151-004-1, 151-004-3
		6	M55116/6	151-002-2	152-002-2	151-003-2, 151-004-2, 151-004-4
	Solder	5	M55116/7	151-002-3	152-002-3	151-003-1, 151-004-1, 151-004-3
		6	M55116/8	151-002-4	152-002-4	151-003-2, 151-004-2, 151-004-4
Receptacle, Jam Nut U-183	Solder	5	M55116/9	151-003-1	152-003-1	151-001-1, 151-001-3, 151-002-1, 151-002-3
		6	M55116/10	151-003-2	152-003-2	151-001-2, 151-001-4, 151-002-2, 151-002-4
In-Line Receptacle U-228	Crimp	5	M55116/11	151-004-1	152-004-1	151-001-1, 151-001-3, 151-002-1, 151-002-3
		6	M55116/12	151-004-2	152-004-2	151-001-2, 151-001-4, 151-002-2, 151-002-4
	Solder	5	M55116/13	151-004-3	152-004-3	151-001-1, 151-001-3, 151-002-1, 151-002-3
		6	M55116/14	151-004-4	152-004-4	151-001-2, 151-001-4, 151-002-2, 151-002-4

SERIES 962

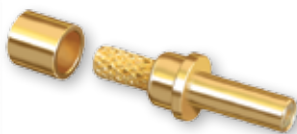
# HIGH-PERFORMANCE COAXIAL CABLE

*MIL-C-17 QPL and commercial*

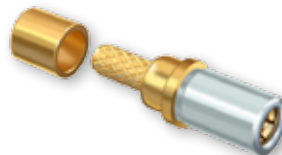


**G**lenair high-performance Coax cables are constructed with silver plated conductors, insulated with fluoropolymer material, and finished with single or double layers of conductive shielding and appropriate jacket. Ideally suited for demanding military and commercial aerospace applications, these cables offer stable, predictable electrical performance under rugged mechanical and environmental conditions including repeated flexing, abrasion abuse, vibration, extreme temperatures, and exposure to aerospace fluids and chemicals. Glenair cable and contact engineers are available to review specific program requirements including environmental challenges, frequency requirements, loss budget, VSWR, and so on to select the most appropriate cable for every application.

**Also Available: High-Performance Coax Contacts for use in Multi-Pin Connectors**



Coax Pin



Coax Socket

**Glenair**<sup>®</sup>

Glenair, Inc.  
1211 Air Way  
Glendale, CA  
91201-2497  
818-247-6000  
sales@glenair.com  
www.glenair.com



*Out of This World*  
**INTERCONNECT  
SOLUTIONS**

**Glenair, Inc.**

1211 Air Way • Glendale, California • 91201-2497  
Telephone: 818-247-6000 • Fax: 818-500-9912 • sales@glenair.com  
[www.glenair.com](http://www.glenair.com)

**Glenair Power  
Products Group**

860 N. Main Street Extension  
Wallingford, CT  
06492

Telephone:  
203-741-1115  
Facsimile:  
203-741-0053  
sales@glenair.com

**Glenair UK Ltd**

40 Lower Oakham Way  
Oakham Business Park  
P.O. Box 37, Mansfield  
Notts, NG18 5BY England

Telephone:  
+44-1623-638100  
Facsimile:  
+44-1623-638111  
sales@glenair.co.uk

**Glenair Microway Systems**

7000 North Lawndale Avenue  
Lincolnwood, IL  
60712

Telephone:  
847-679-8833  
Facsimile:  
847-679-8849

**Glenair Nordic AB**

Gustav III : S Boulevard 46  
S - 169 27 Solna  
Sweden

Telephone:  
+46-8-50550000  
Facsimile:  
+46-8-50550001  
sales@glenair.se

**Glenair Electric GmbH**

Schaberweg 28  
61348 Bad Homburg  
Germany

Telephone:  
06172 / 68 16 0  
Facsimile:  
06172 / 68 16 90  
germany@glenair.com

**Glenair Iberica**

C/ La Vega, 16  
45612 Velada  
Spain

Telephone:  
+34-925-89-29-88  
Facsimile:  
+34-925-89-29-87  
sales@glenair.es

**Glenair Italia S.p.A.**

Via Del Lavoro, 7  
40057 Quarto Inferiore –  
Granarolo dell'Emilia  
Bologna, Italy

Telephone:  
+39-051-782811  
Facsimile:  
+39-051-782259  
info@glenair.it

**Glenair France SARL**

7, Avenue Parmentier  
Immeuble Central Parc #2  
31200 Toulouse  
France

Telephone:  
+33-5-34-40-97-40  
Facsimile:  
+33-5-61-47-86-10  
sales@glenair.fr

