



HIGH RELIABILITY POWER CONNECTORS FOR RAILWAY APPLICATIONS

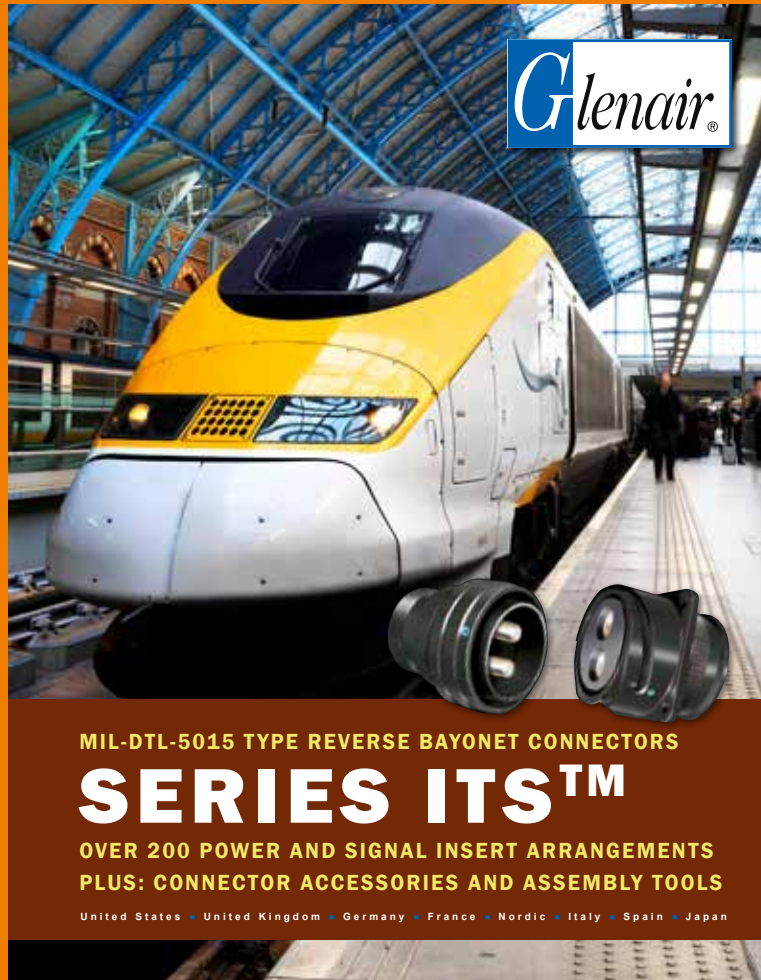
IRT SERIES RECTANGULAR MULTIPOLE HIGH VOLTAGE
ITS 901 REVERSE BAYONET MULTI POLE MEDIUM VOLTAGE
ITS 500 REVERSE BAYONET SINGLE POLE HIGH VOLTAGE
UJ SERIES CONNECTION SYSTEM

Now Arriving...

More Options Than Ever Before!

Glenair Series ITS

MIL-DTL-5015 Type Reverse Bayonet Connectors



Glenair

MIL-DTL-5015 TYPE REVERSE BAYONET CONNECTORS

SERIES ITS™

OVER 200 POWER AND SIGNAL INSERT ARRANGEMENTS
PLUS: CONNECTOR ACCESSORIES AND ASSEMBLY TOOLS

United States • United Kingdom • Germany • France • Nordic • Italy • Spain • Japan



EU Sales: Glenair Italia S.p.A. (Italy) Tel: +39-51-7821811 Email: info@glenair.it
North American Sales: Glenair Connecticut, Tel: 203-741-1115 Email: sales@glenair.com
www.glenair.com - www.glenair.it

**High-Reliability Power Connectors
for Railway Applications
Table of Contents**



IRT Series Rectangular Multipole High Voltage Connectors



A

**ITS 901 Series Reverse Bayonet Multi-Pole
Medium Voltage Connectors**



B

**ITS 500 Series Reverse Bayonet Single-Pole
High Voltage Connectors**



C

UJ Series Connector System



D

index

index

- High / Medium / Low Voltage Train Lines
- High / Medium current AC and DC
- Traction Motors
- Car to Car Jumpers
- Power Distribution



A

IRT Series Power Connectors

Connection of power cables in rolling stock is a critical application.

Beyond specific parameters like voltage, current, or watertight sealing, other application requirements must be considered: environment and operating conditions, robustness, handling, and other customer specifications.

The IRT connector series is one of the most popular connection systems used around the world, and is able to satisfy all of the common parameters from different railway authorities.

Glenair is able to develop customized connectors for specific applications, certifying the products according to your unique requirements.

Application

To select the right IRT interconnection system, consider the following parameters:

Electrical Data:

- Working Voltage
- Working Current and Max Current applicable
- Frequency
- Insulation Resistance

Mechanical Data:

- Mating Cycles requested
- Area where the connection is located

Glenair Power Connectors Introduction



IRT
Connectors

Environmental Data:

- Working Temperature
- Shock and Vibration
- Water Ingress Protection
- Corrosion Resistance
- Applicable Specs

The Cable's choice is strictly related to the above data. Square section, outer diameter of the conductor and the isolator are necessary to define contact characteristics and connector accessory specifications in order to guarantee watertightness and clamp strength.

The cable chosen defines:

- Type of contact (cable's section – power conductor)
- Type of connector (working voltage – number of contacts)
- Type of clamp (external diameter of the connector – setting in the application)



A

A schematic of the basic characteristics of the Power connectors can be a useful guide in the passage from the wires to the connector.

Connector Series	Contacts Number				Cable Section
	1	2	3	4	
UJ Connectors	X	X	X		10 - 240 mmq (AWG8 - 444MCM)
ITS 500 Connectors	X	X	X		95 - 240 mmq (AWG3/0 - 535MCM)
ITS 901 Connectors		X	X	X	35 - 120 mmq (AWG4 - 262MCM)
IRT Connectors			X	X	35 - 185 mmq (AWG4 - 373MCM)

Glenair is here to help you choose catalog parts for your application, or to design a specific solution to your unique power connector application.



IRT Series Rectangular Multi Pole Power Connector Worldwide Applications

Los Angeles Metro: Transportation for a City in Motion

Los Angeles, California is the second most populous city in the United States, and is a world center of business, international trade, entertainment, culture, media, fashion, science, technology, and education. Los Angeles has been ranked the third richest city and fifth most powerful and influential city in the world, behind only New York City in the U.S.

With some 38 million residents living and working in L.A., The Los Angeles Metropolitan Transit Authority (Metro) has the formidable task of helping people get around the busy city. The Metro Rail System opened in 1990, and now comprises five lines, including two heavy rail subway lines and three light rail lines totalling 79.1 miles (127.3 km) of rail, 70 stations, and over 350,000 daily weekday boardings as of September 2010.

Metro's heavy gauge subway trains are A650's built by AnsaldoBreda in Italy. They utilize standard gauge track and are powered by third rail to General Electric traction motors, and typically run in six-car consists.

A650s are equipped with a host of state-of-the-art features for safety, efficiency, and passenger comfort, including automatic train control, air conditioning, emergency intercoms, wheelchair spaces and emergency braking. Each A650 is equipped with 4 abreast style (club) seating, maps of the line, bike racks, P.A. and climate control. In the operators panel, there is a combined power handle for throttle and dynamic braking.



***A Metro Red Line train departing from the Wilshire/
Vermont Station***

Whether you're commuting to work in Los Angeles' Downtown financial district, or enjoying L.A.'s thriving nightlife on a night out at Universal CityWalk, the Metro can take you there. Glenair connectors and interconnect systems are integral to the AnsaldoBreda A650 subway train that keeps Los Angeles in motion with modern style and efficiency.



***The East/West Boulevard station is a rail station on the LYNX Blue Line in the South End of
Charlotte, North Carolina, U.S.A***

IRT Series Rectangular Multi Pole Power Connector Technical Characteristics



The Glenair IRT series is a rectangular power connector for harsh environmental conditions. Available with three, four and six contacts, typical for traction motor applications. Suitable for single cables AWG 4 – 373MCM (35 to 185 mm²). Working voltage up to 3000 Vcc.

Two mating systems offered:

- Screws, for light weight and reduced dimensions
- Lever system with secondary lock, easy to use in difficult positions.

The IRT Series is suitable for separated power cables, with or without screen, ground body available with a copper plait (not supplied with the connector).

Available with three different cable backend styles:

- Metallic Gland
- Clamp with Strain Relief
- Screen EMC Gland

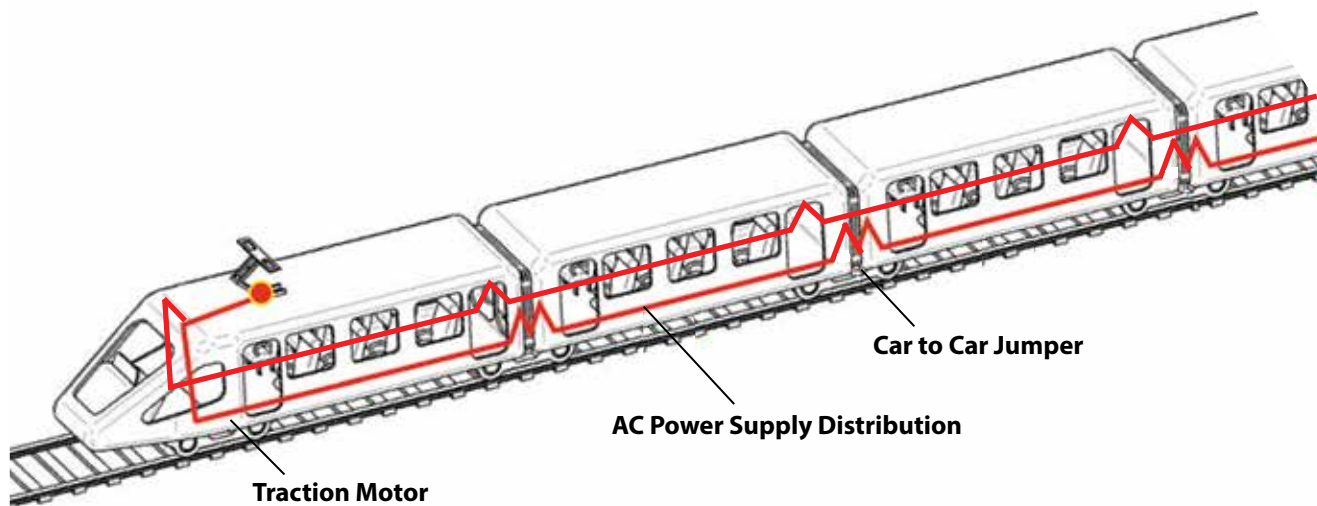
IRT series connectors meet the most important rail requirements and specifications.



Plug Connector



Receptacle Connector





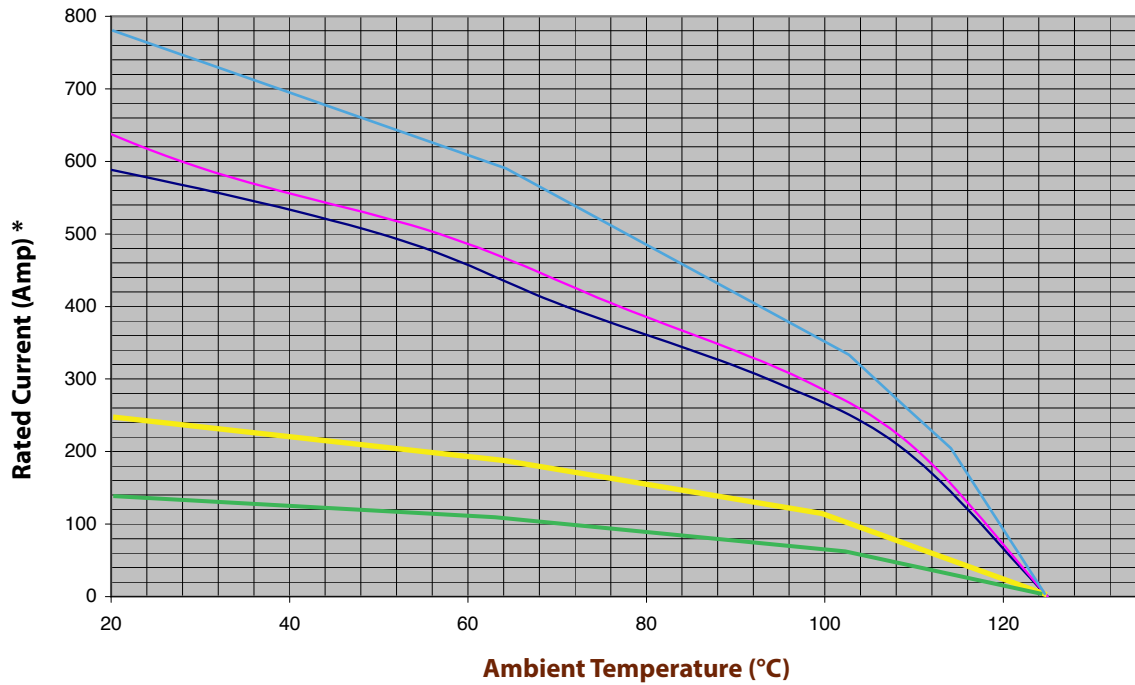
IRT Series Rectangular Multi Pole Power Connector Technical Characteristics

Procedures Table

Description	Procedure
Electrical Characteristics	CEI EN 50124 and CEI EN 60077
Environmental Conditions	CEI EN 50125
Water Protection	CEI EN 60529
Shock and Vibration	CEI EN 61373
Corrosion Protection	VG 95210 - 2
Fire Protection	EN 45545-2 HL3 R22, R23; NFPA 130
Mating Cycles	VG96929

A

Rated Current Graphic



- Contact Type 1
- Contact Type 2
- Contact Type 3
- Contact Type 4
- Contact Type 5

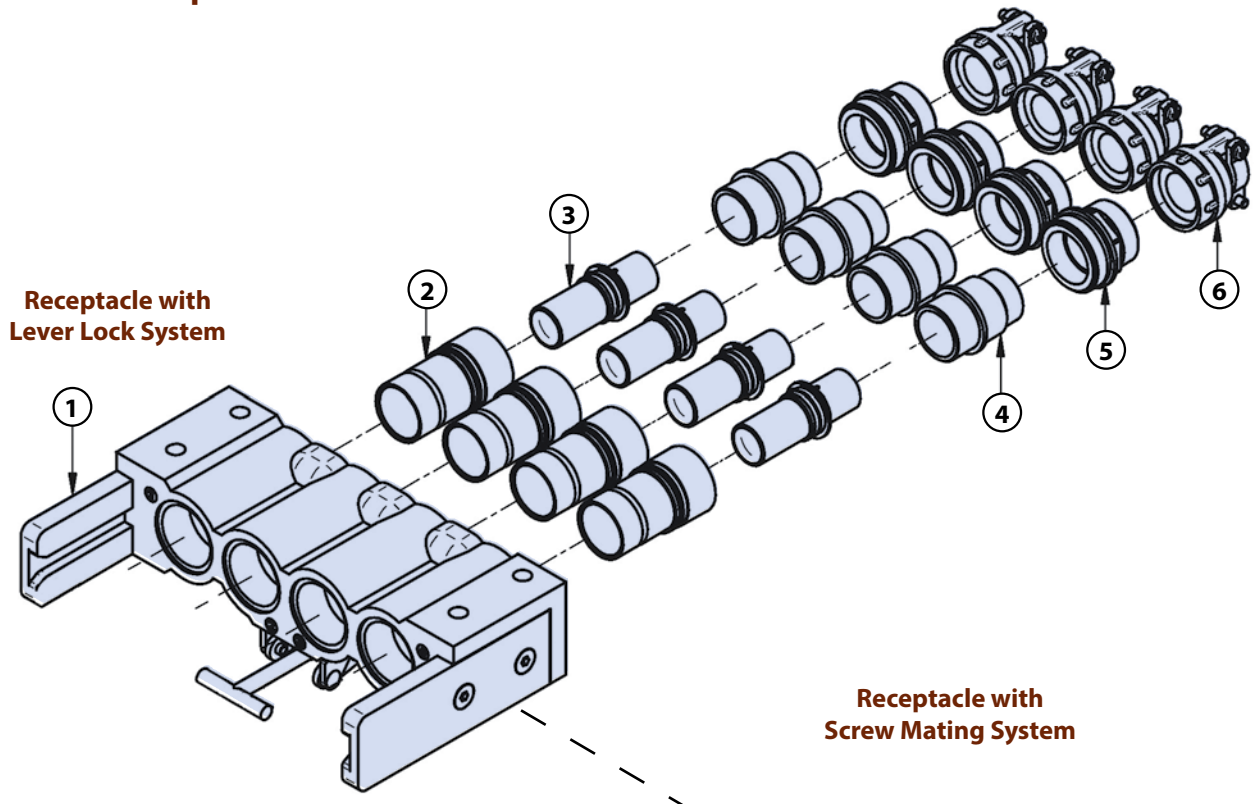
* According with Cables Section

**IRT Series
Rectangular Multi Pole Power Connector
Components Exploded View**



IRT Series Components Exploded View

Receptacle Connector

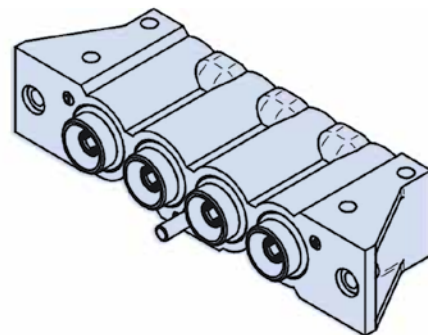


**Receptacle with
Lever Lock System**

**Receptacle with
Screw Mating System**

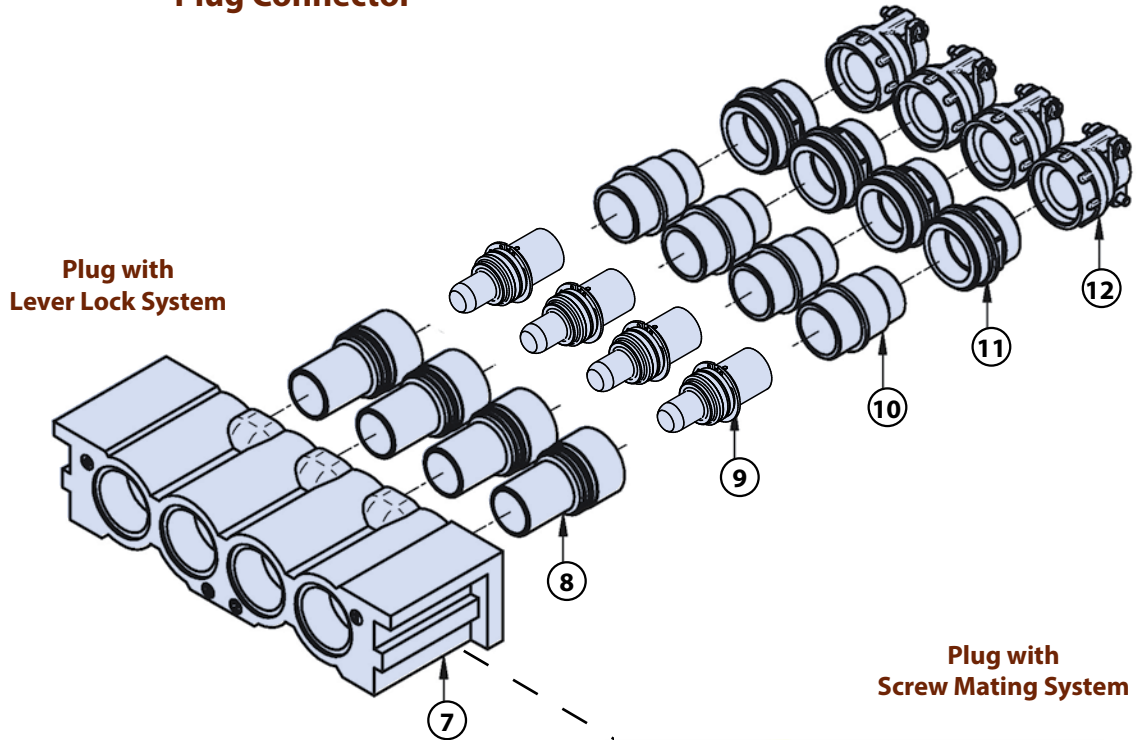
Receptacle Connector

- 1 - Receptacle Shell
- 2 - Front Insert
- 3 - Contact
- 4 - Rear Insert
- 5 - Backend Adapter
- 6 - Clamp

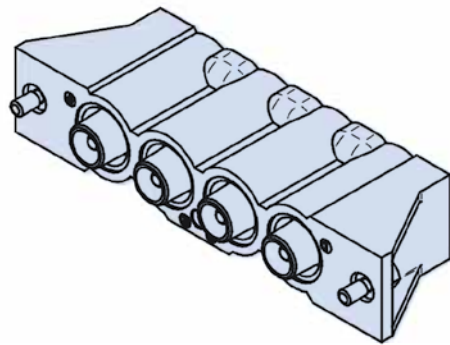


IRT Series Components Exploded View

Plug Connector



**Plug with
Screw Mating System**



Plug Connector

- 7 - Plug Shell
- 8 - Front Insert
- 9 - Contact
- 10 - Rear Insert
- 11 - Backend Adapter
- 12 - Clamp

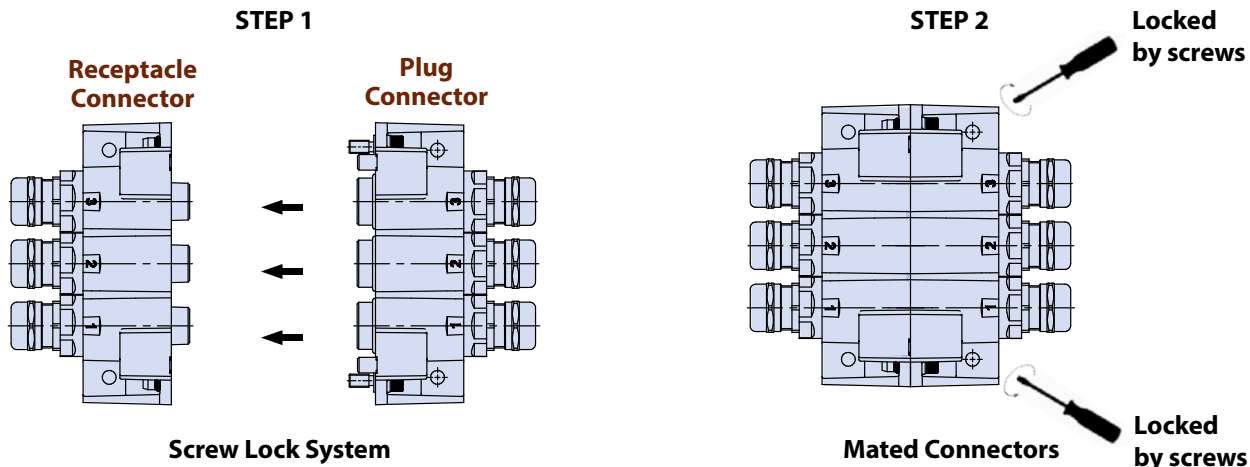
IRT Series Rectangular Multi Pole Power Connector Mating and Unmating System



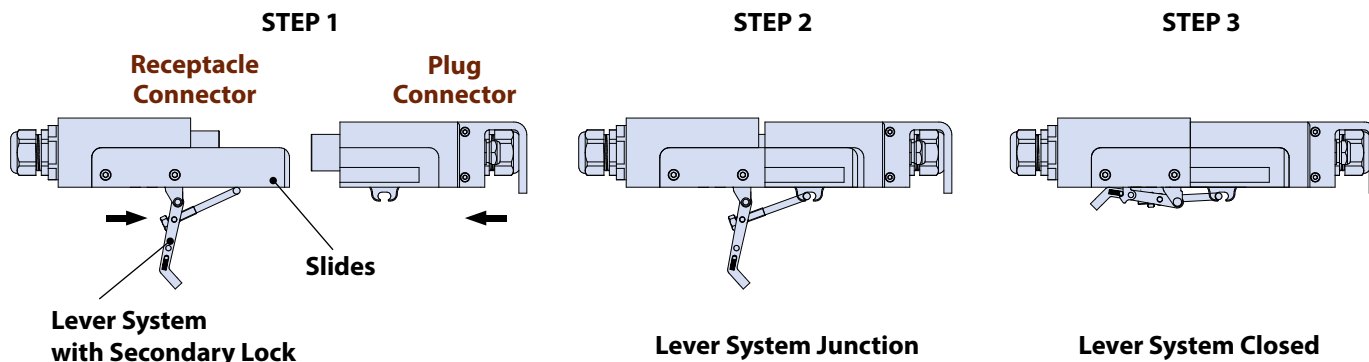
IRT
Connectors

A

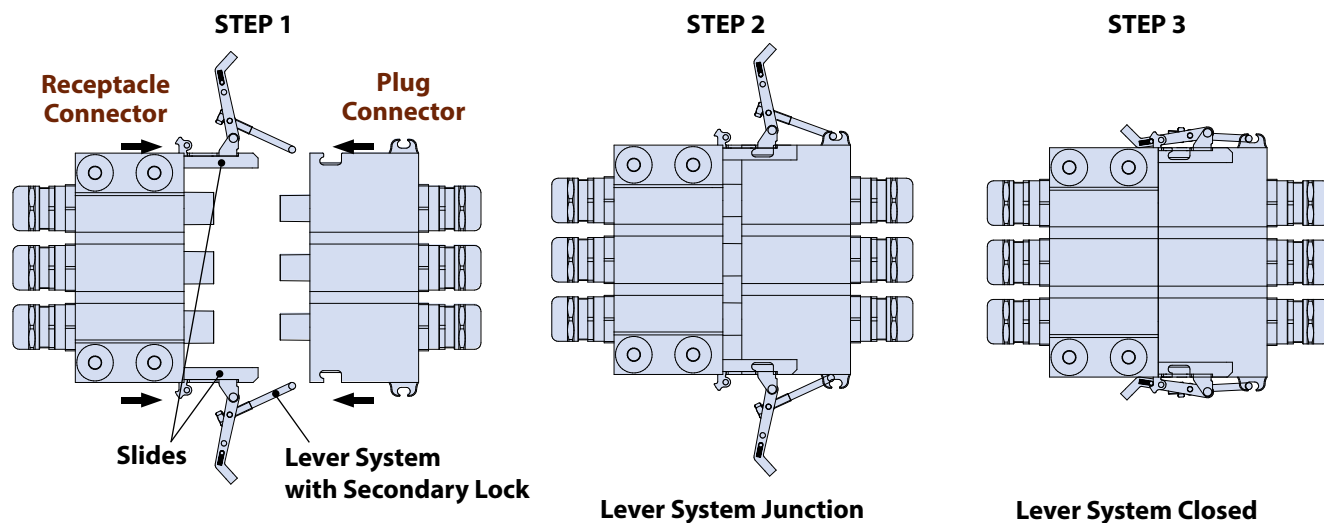
IRT Series Size 1 and 2



IRT Series Size 3 and 5



IRT Series Size 4





IRT Series
Rectangular Multi Pole Power Connector
Available Configurations

IRT Size 01

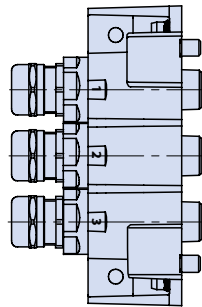
Number of Contacts: 3
Contact Type: AWG 4 - 4/0 (35-120 mmq)
Mating System: Screw

A

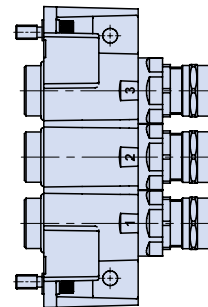
Receptacle

Plug

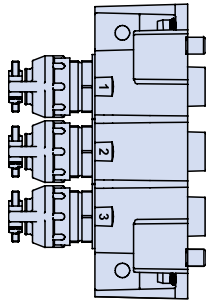
Part Number:
IRT01R-31PMXX
Weight: 1.07 Kg



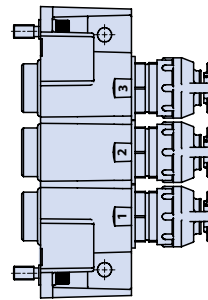
Part Number:
IRT01P-31SMXX
Weight: 1.07 Kg



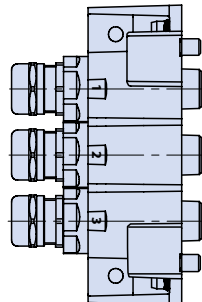
Part Number:
IRT01R-31PEXX
Weight: 0.97 Kg



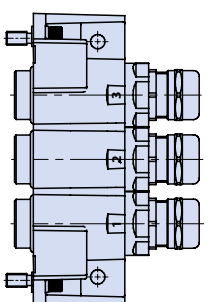
Part Number:
IRT01P-31SEXX
Weight: 0.97 Kg



Part Number:
IRT01R-31PSXX
Weight: 1.07 Kg



Part Number:
IRT01P-31SSXX
Weight: 1.07 Kg



IRT Series
Rectangular Multi Pole Power Connector
Available Configurations



IRT
Connectors

IRT Size 02

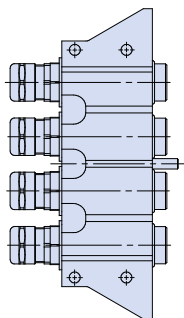
Number of Contacts: 4
Contact Type: AWG 4 - 4/0 (35-120 mmq)
Mating System: Screw

A

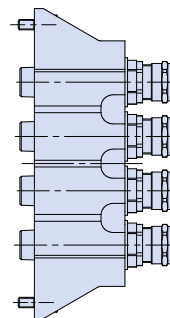
Receptacle

Plug

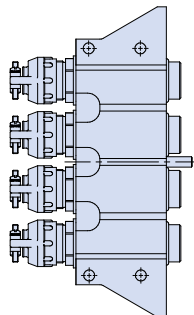
Part Number:
IRT02R-41PMXX
Weight: 1.75 Kg



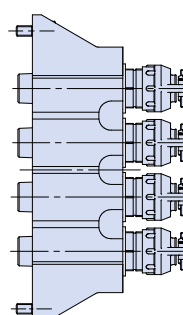
Part Number:
IRT02P-41SMXX
Weight: 1.75 Kg



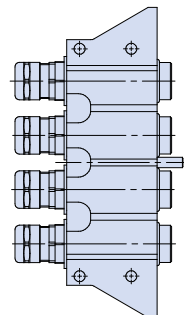
Part Number:
IRT02R-41PEXX
Weight: 1.65 Kg



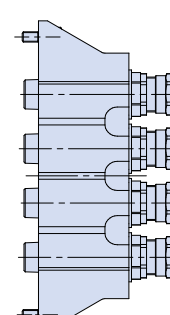
Part Number:
IRT02P-41SEXX
Weight: 1.65 Kg



Part Number:
IRT02R-41PSXX
Weight: 1.75 Kg



Part Number:
IRT02P-41SSXX
Weight: 1.75 Kg





IRT Series
Rectangular Multi Pole Power Connector
Available Configurations

IRT Size 03

Number of Contacts : 4

Contact Type : AWG 4 - 4/0 (35-120 mmq)

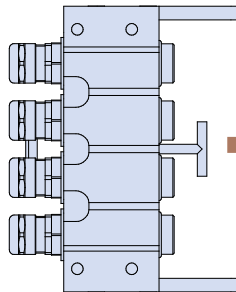
Mating System: Lever with Secondary Lock

A

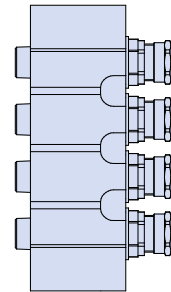
Receptacle

Plug

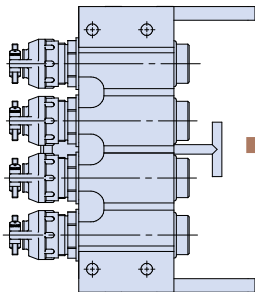
Part Number:
IRT03R-41PMXX
Weight: 1.9 Kg



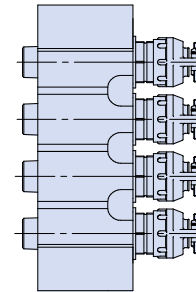
Part Number:
IRT03P-41SMXX
Weight: 1.7 Kg



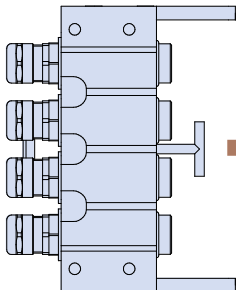
Part Number:
IRT03R-41PEXX
Weight: 1.8 Kg



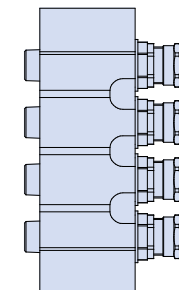
Part Number:
IRT03P-41SEXX
Weight: 1.6 Kg



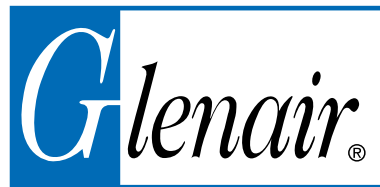
Part Number:
IRT03R-41PSXX
Weight: 1.9 Kg



Part Number:
IRT03P-41SSXX
Weight: 1.7 Kg



IRT Series
Rectangular Multi Pole Power Connector
 Available Configurations



IRT
Connectors

IRT Size 04

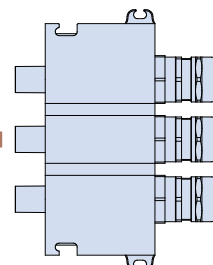
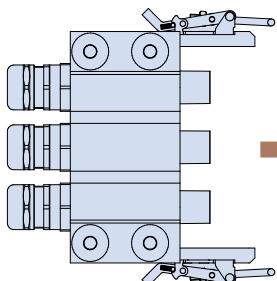
Number of Contacts: 3
Contact Type: AWG 4 - 4/0 (35-120 mmq)
Mating System: Double Lever System with Secondary Lock

A

Receptacle

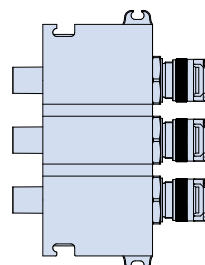
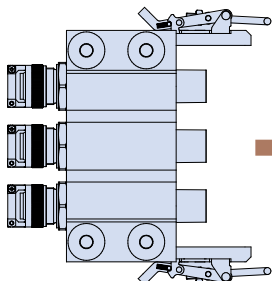
Plug

Part Number:
IRT04R-35PMXX
Weight: 4.4 Kg



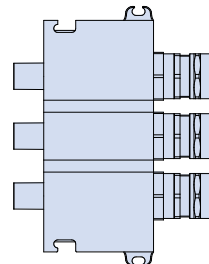
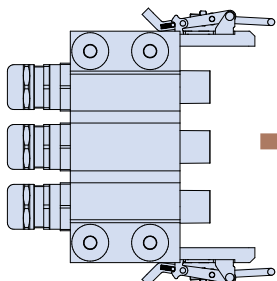
Part Number:
IRT04P-35SMXX
Weight: 3.4 Kg

Part Number:
IRT04R-35PEXX
Weight: 4.1 Kg



Part Number:
IRT04P-35SEXX
Weight: 3.1 Kg

Part Number:
IRT04R-35PSXX
Weight: 4.4 Kg



Part Number:
IRT04P-35SSXX
Weight: 3.4 Kg



IRT Series
Rectangular Multi Pole Power Connector
Available Configurations

IRT Size 05

Number of Contacts: 4

Contact Type: AWG 4 - 373MCM (35-185 mmq)

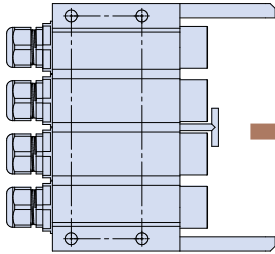
Mating System: Lever with Secondary Lock

A

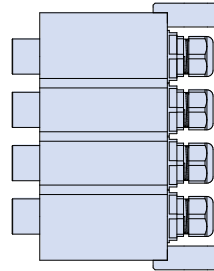
Receptacle

Plug

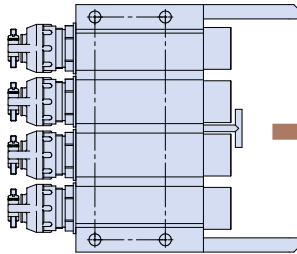
Part Number:
IRT05R-45PMXX
Weight: 6.0 Kg



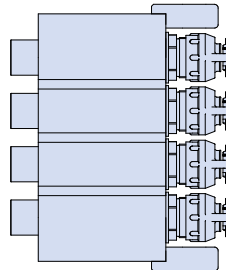
Part Number:
IRT05P-45SMXX
Weight: 5.6 Kg



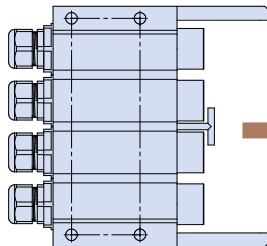
Part Number:
IRT05R-45PEXX
Weight: 5.5 Kg



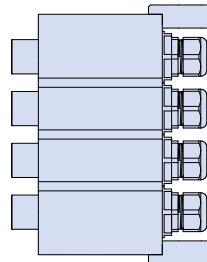
Part Number:
IRT05P-45SEXX
Weight: 5.1 Kg



Part Number:
IRT05R-45PSXX
Weight: 6.0 Kg



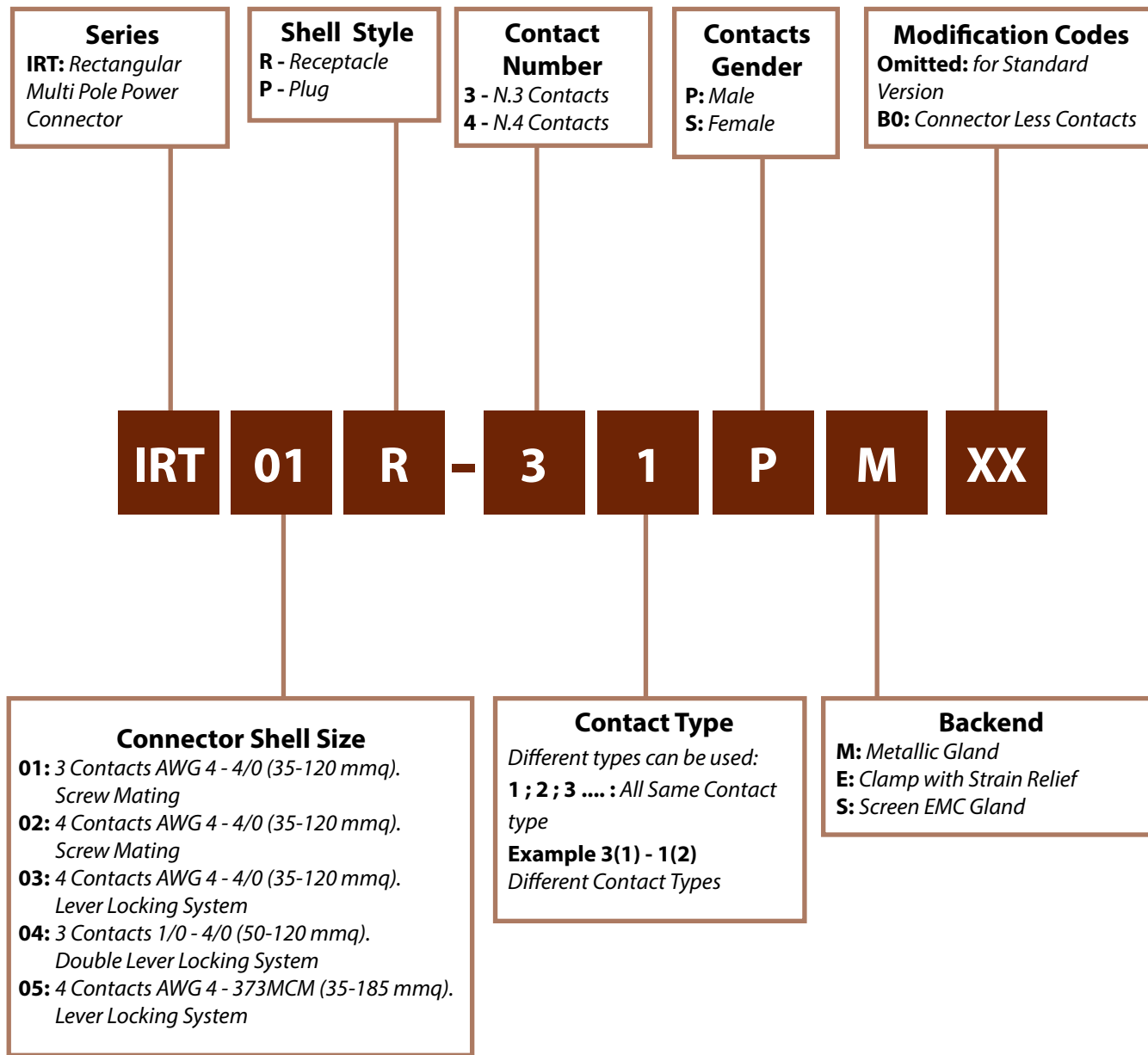
Part Number:
IRT05P-45SSXX
Weight: 5.6 Kg



IRT Series
Rectangular Multi Pole Power Connector
How to Order - Part Number Breakdown



How to Order - Part Number Breakdown



For different cable dimensions, please contact the factory.



IRT Series Rectangular Multi Pole Power Connector Receptacle Shell Size 01 Connector Assembly for Metallic Gland

Series IRT Multi Pole
Power Connector

Shell Style
R (Receptacle)

Number of
Contacts 3

Contact Gender
P - Male
S - Female

Backend
Metallic Gland (M)

IRT

01

R

- 3

1

P

M

XX

Connector Shell Size
01 (3 Contacts Screw
Matings)

Contact Type
Different types can be used:
1 ; 2 ; 3 : All Same Contact type
Example 2(1)-1(2) Different Contact Types
(See Table 1)

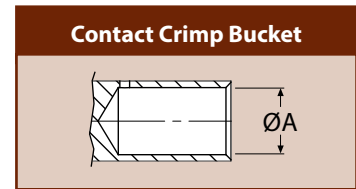
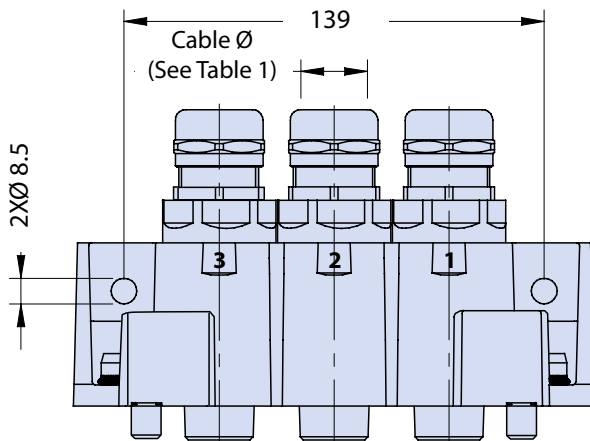
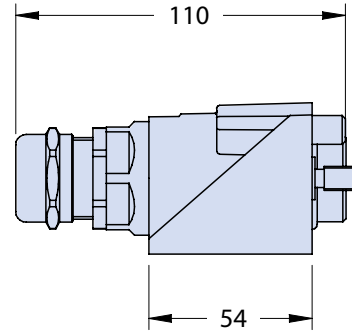
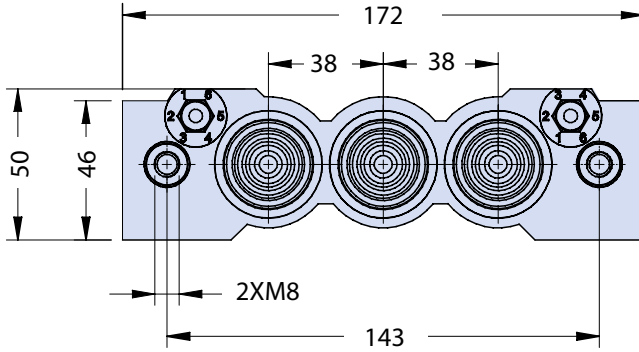
Modification
Omitted (for Standard)
B0 (Connector Less Contacts)



Application Notes

- Receptacle with metallic gland. RoHs compliant.
- Working voltage: 1500 Vac.
- Test voltage: 4500 Vac.
- Water proof: IP67 level (coupled connectors).
- Contact resistance: 0.3 mΩ max.
- Temperature range: -55 to +125°C.
- Contact: copper alloy silver plating.
- Insulator: EN 45545-2 HL3 R22, R23; NFPA 130.
- Shell: Aluminium alloy with electrodeposited black plating.
- Clearance in air: 16.0 mm Min.
- Creepage distance: 16.0 mm Min.

IRT Series
Rectangular Multi Pole Power Connector
 Receptacle Shell Size 01 Connector
 Assembly for Metallic Gland



A

TABLE 1 - CONTACTS

Contact Type	Male Contact P/N	Female Contact P/N	Crimp Bucket - A - (mm)	Cable Section (AWG)	Cable Section (mmq)	Cable Diameter (mmq)		Working Current (A) *	Max Current (A) *
						Min	Max		
1	IRT-1-P-620G10	IRT-1-S-620G10	6.2	4	25	6	13	120	150
2	IRT-2-P-1070G10	IRT-2-S-1070G10	10.7	1/0	50	10	17	150	250
3	IRT-3-P-1650G10	IRT-3-S-1650G10	16.5	4/0	120	16	19	350	450
3A	IRT-3-P-1440G10	IRT-3-S-1440G10	14.4	2/0	70	10	17	250	300
3B	IRT-3-P-1440G10	IRT-3-S-1440G10	14.4	3/0	95	12.5	16	320	400

* Related to cables section



IRT Series Rectangular Multi Pole Power Connector Plug Shell Size 01 Connector Assembly for Metallic Gland

Series IRT Multi Pole
Power Connector

Shell Style
P (Plug)

Number of
Contacts 3

Contact Gender
P - Male
S - Female

Backend
Metallic Gland (M)

IRT

01

P

- 3

1

S

M

XX

Connector Shell Size
01 (3 Contacts Screw
Matings)

Contact Type
Different types can be used:
1 ; 2 ; 3 : All Same Contact type
Example 2(1)-1(2) Different Contact Types
(See Table 1)

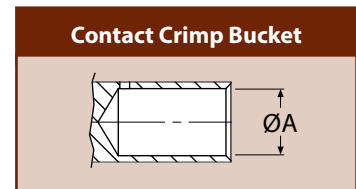
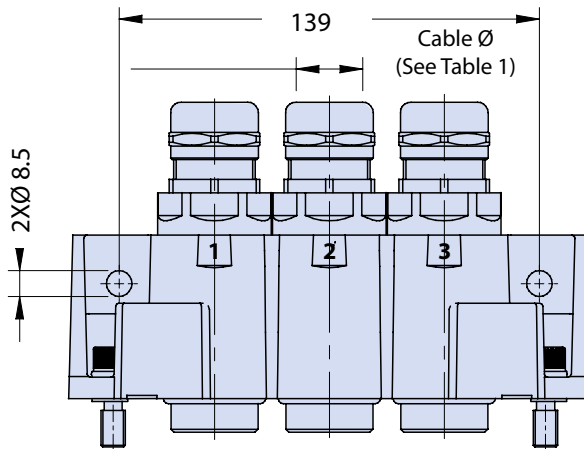
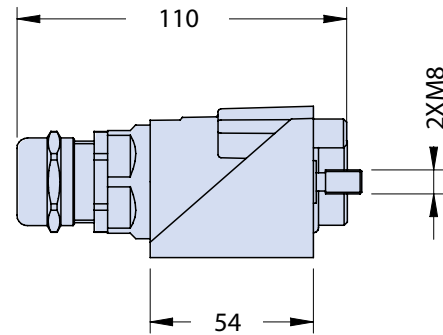
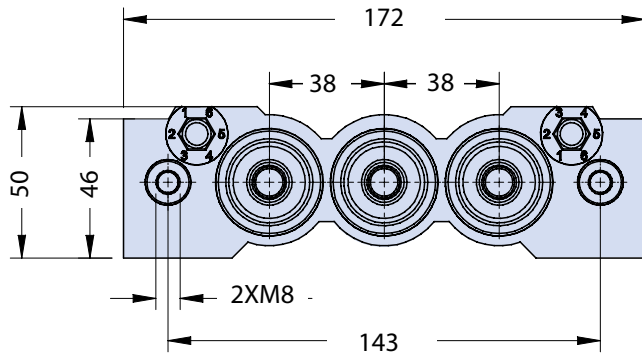
Modification
Omitted (for Standard)
B0 (Connector Less Contacts)



Application Notes

- Plug with metallic gland. RoHs compliant.
- Working voltage: 1500 Vac.
- Test voltage: 4500 Vac.
- Water proof: IP67 level (coupled connectors).
- Contact resistance: 0.3 mΩ max.
- Temperature range: -55 ÷ +125°C.
- Contact: copper alloy silver plating.
- Insulator: EN 45545-2 HL3 R22, R23; NFPA 130.
- Shell: Aluminium alloy with electrodeposited black plating.
- Clearance in air: 16.0 mm Min.
- Creepage distance: 16.0 mm Min.

IRT Series
Rectangular Multi Pole Power Connector
Plug Shell Size 01 Connector
Assembly for Metallic Gland



A

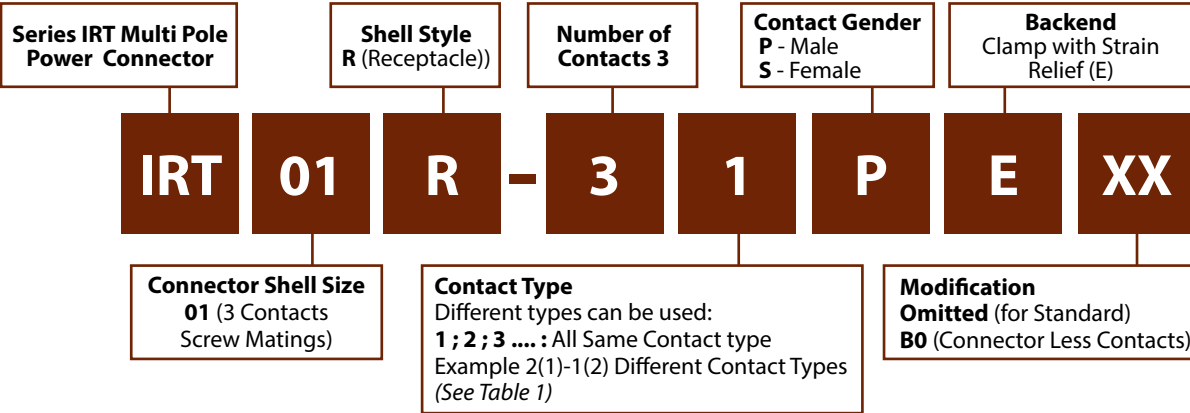
TABLE 1 - CONTACTS

Contact Type	Male Contact P/N	Female Contact P/N	Crimp Bucket - A - (mm)	Cable Section (AWG)	Cable Section (mmq)	Cable Diameter (mmq)		Working Current (A) *	Max Current (A) *
						Min	Max		
1	IRT-1-P-620G10	IRT-1-S-620G10	6.2	4	25	6	13	120	150
2	IRT-2-P-1070G10	IRT-2-S-1070G10	10.7	1/0	50	10	17	150	250
3	IRT-3-P-1650G10	IRT-3-S-1650G10	16.5	4/0	120	16	19	350	450
3A	IRT-3-P-1440G10	IRT-3-S-1440G10	14.4	2/0	70	10	17	250	300
3B	IRT-3-P-1440G10	IRT-3-S-1440G10	14.4	3/0	95	12.5	16	320	400

* Related to cables section



IRT Series
Rectangular Multi Pole Power Connector
Receptacle Shell Size 01 Connector
Assembly for Clamp with Strain Relief

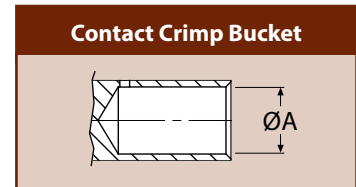
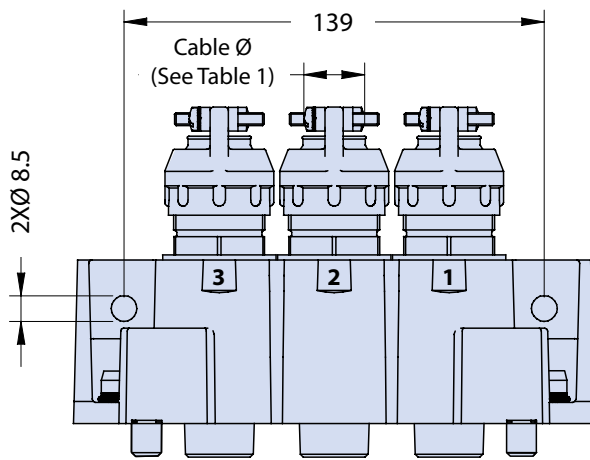
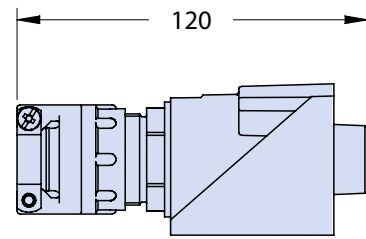
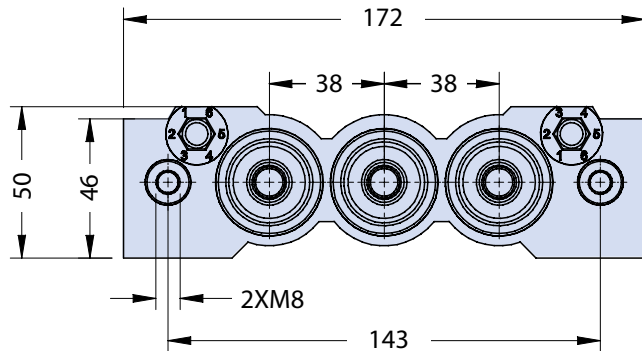


A

Application Notes

- Receptacle with clamp with strain relief. RoHs compliant.
- Working voltage: 1500 Vac.
- Test voltage: 4500 Vac.
- Water proof: IP67 level (coupled connectors).
- Contact resistance: 0.3 mΩ max.
- Temperature range: -55 to +125°C.
- Contact: copper alloy silver plating.
- Insulator: EN 45545-2 HL3 R22, R23; NFPA 130.
- Shell: Aluminium alloy with electrodeposited black plating.
- Clearance in air: 16.0 mm Min.
- Creepage distance: 16.0 mm Min.

IRT Series
Rectangular Multi Pole Power Connector
 Receptacle Shell Size 01 Connector
 Assembly for Clamp with Strain Relief



A

TABLE 1 - CONTACTS

Contact Type	Male Contact P/N	Female Contact P/N	Crimp Bucket - A - (mm)	Cable Section (AWG)	Cable Section (mmq)	Cable Diameter (mmq)		Working Current (A) *	Max Current (A) *
						Min	Max		
1	IRT-1-P-620G10	IRT-1-S-620G10	6.2	4	25	6	13	120	150
2	IRT-2-P-1070G10	IRT-2-S-1070G10	10.7	1/0	50	10	17	150	250
3	IRT-3-P-1650G10	IRT-3-S-1650G10	16.5	4/0	120	16	19	350	450
3A	IRT-3-P-1440G10	IRT-3-S-1440G10	14.4	2/0	70	10	17	250	300
3B	IRT-3-P-1440G10	IRT-3-S-1440G10	14.4	3/0	95	12.5	16	320	400

* Related to cables section



IRT Series Rectangular Multi Pole Power Connector Plug Shell Size 01 Assembly for Clamp with Strain Relief

Series IRT Multi Pole
Power Connector

Shell Style
P (Plug)

Number of
Contacts 3

Contact Gender
P - Male
S - Female

Backend
Clamp with Strain
Relief (*E*)

IRT

01

P

- 3

1

S

E

XX

Connector Shell Size
01 (3 Contacts
Screw Matings)

Contact Type
Different types can be used:
1; 2; 3 : All Same Contact type
Example 2(1)-1(2) Different Contact Types
(See Table 1)

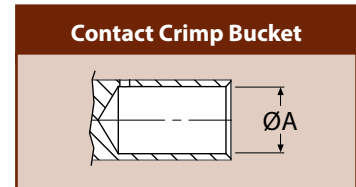
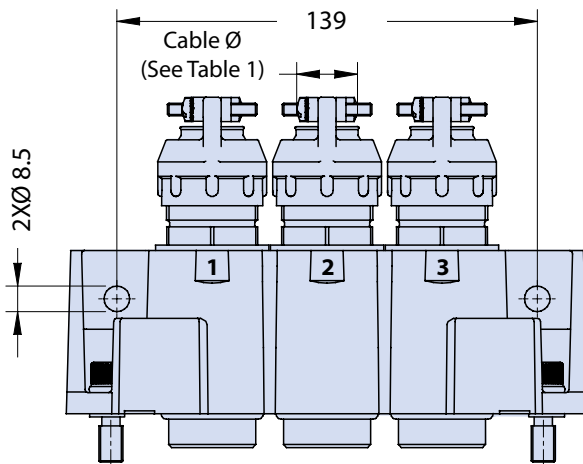
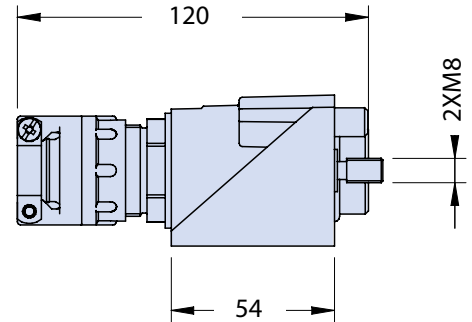
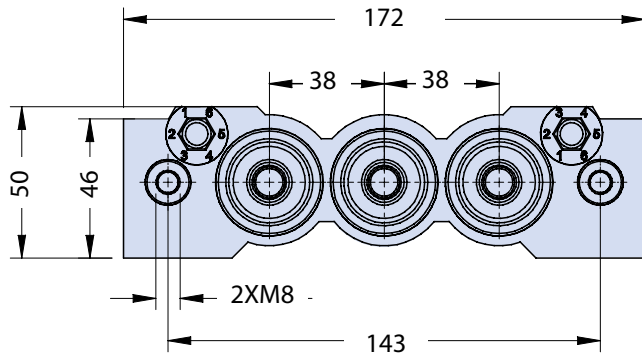
Modification
Omitted (for Standard)
B0 (Connector Less Contacts)



Application Notes

- Plug with clamp with strain relief. RoHs compliant.
- Working voltage: 1500 Vac.
- Test voltage: 4500 Vac.
- Water proof: IP67 level (coupled connectors).
- Contact resistance: 0.3 mΩ max.
- Temperature range: -55 to +125°C.
- Contact: copper alloy silver plating.
- Insulator: EN 45545-2 HL3 R22, R23; NFPA 130.
- Shell: Aluminium alloy with electrodeposited black plating.
- Clearance in air: 16.0 mm Min.
- Creepage distance: 16.0 mm Min.

IRT Series
Rectangular Multi Pole Power Connector
 Plug Shell Size 01
Assembly for Clamp with Strain Relief



A

TABLE 1 - CONTACTS

Contact Type	Male Contact P/N	Female Contact P/N	Crimp Bucket - A - (mm)	Cable Section (AWG)	Cable Section (mmq)	Cable Diameter (mmq)		Working Current (A) *	Max Current (A) *
						Min	Max		
1	IRT-1-P-620G10	IRT-1-S-620G10	6.2	4	25	6	13	120	150
2	IRT-2-P-1070G10	IRT-2-S-1070G10	10.7	1/0	50	10	17	150	250
3	IRT-3-P-1650G10	IRT-3-S-1650G10	16.5	4/0	120	16	19	350	450
3A	IRT-3-P-1440G10	IRT-3-S-1440G10	14.4	2/0	70	10	17	250	300
3B	IRT-3-P-1440G10	IRT-3-S-1440G10	14.4	3/0	95	12.5	16	320	400

* Related to cables section



IRT Series Rectangular Multi Pole Power Connector Receptacle Shell Size 01 Assembly for Screen EMC Gland

Series IRT Multi Pole Power Connector

Shell Style
R (Receptacle)

Number of Contacts 3

Contact Gender
P - Male
S - Female

Backend
Screen EMC Gland (*S*)

IRT

01

R

- 3

1

P

S

XX

Connector Shell Size
01 (3 Contacts Screw Matings)

Contact Type
Different types can be used:
1; 2; 3 : All Same Contact type
Example 2(1)-1(2) Different Contact Types (See Table 1)

Modification
Omitted (for Standard)
B0 (Connector Less Contacts)



Application Notes

- Receptacle with screen EMC gland. RoHs compliant.
- Working voltage: 1500 Vac.
- Test voltage: 4500 Vac.
- Water proof: IP67 level (coupled connectors).
- Contact resistance: 0.3 mΩ max.
- Temperature range: -55 to +125°C.
- Contact: copper alloy silver plating.
- Insulator: EN 45545-2 HL3 R22, R23; NFPA 130.
- Shell: Aluminium alloy with conductive black plating.
- Clearance in air: 16.0 mm Min.
- Creepage distance: 16.0 mm Min.

IRT Series
Rectangular Multi Pole Power Connector
 Receptacle Shell Size 01
 Assembly for Screen EMC Gland

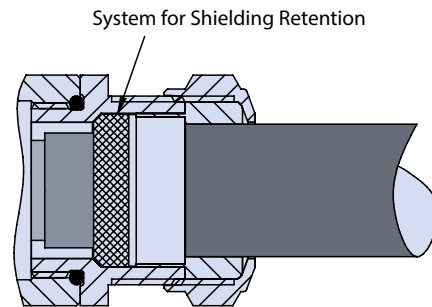
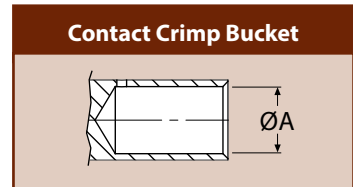
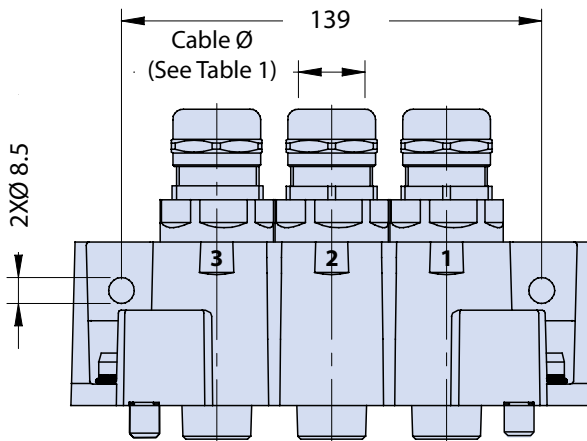
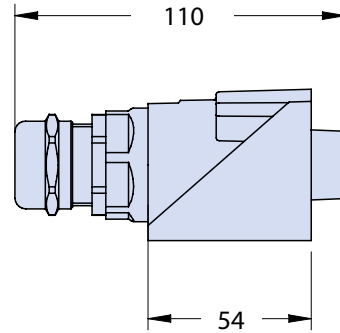
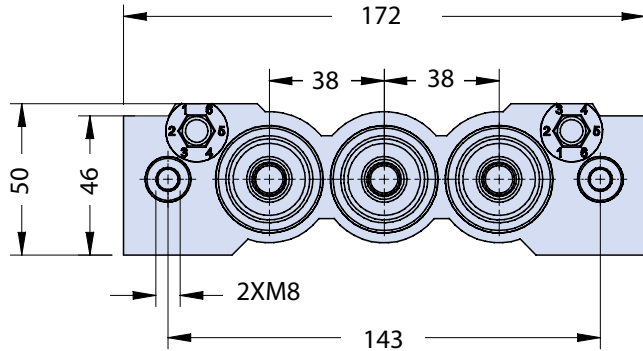


TABLE 1 - CONTACTS

Contact Type	Male Contact P/N	Female Contact P/N	Crimp Bucket - A - (mm)	Cable Section (AWG)	Cable Section (mmq)	Cable Diameter (mmq)		Working Current (A) *	Max Current (A) *
						Min	Max		
1	IRT-1-P-620G10	IRT-1-S-620G10	6.2	4	25	6	13	120	150
2	IRT-2-P-1070G10	IRT-2-S-1070G10	10.7	1/0	50	10	17	150	250
3	IRT-3-P-1650G10	IRT-3-S-1650G10	16.5	4/0	120	16	19	350	450
3A	IRT-3-P-1440G10	IRT-3-S-1440G10	14.4	2/0	70	10	17	250	300
3B	IRT-3-P-1440G10	IRT-3-S-1440G10	14.4	3/0	95	12.5	16	320	400

* Related to cables section



IRT Series Rectangular Multi Pole Power Connector Plug Shell Size 01 Assembly for Screen EMC Gland

Series IRT Multi Pole
Power Connector

Shell Style
P (Plug)

Number of
Contacts 3

Contact Gender
P - Male
S - Female

Backend
Screen EMC
Gland (*S*)

IRT

01

P

- 3

1

S

S

XX

Connector Shell Size
01 (3 Contacts
Screw Matings)

Contact Type
Different types can be used:
1; 2; 3 : All Same Contact type
Example 2(1)-1(2) Different Contact Types
(See Table 1)

Modification
Omitted (for Standard)
B0 (Connector Less Contacts)



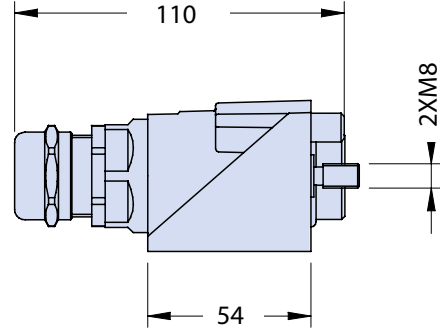
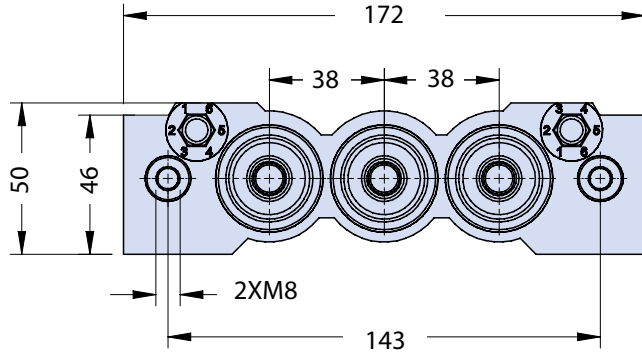
Application Notes

- Plug with screen EMC gland. RoHs compliant.
- Working voltage: 1500 Vac.
- Test voltage: 4500 Vac.
- Water proof: IP67 level (coupled connectors).
- Contact resistance: 0.3 mΩ max.
- Temperature range: -55 to +125°C.
- Contact: copper alloy silver plating.
- Insulator: EN 45545-2 HL3 R22, R23; NFPA 130.
- Shell: Aluminium alloy with conductive black plating.
- Clearance in air: 16.0 mm Min.
- Creepage distance: 16.0 mm Min.

IRT Series
Rectangular Multi Pole Power Connector
 Plug Shell Size 01
 Assembly for Screen EMC Gland



IRT
Connectors



A

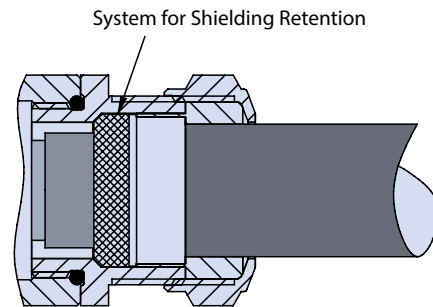
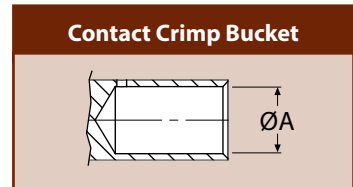
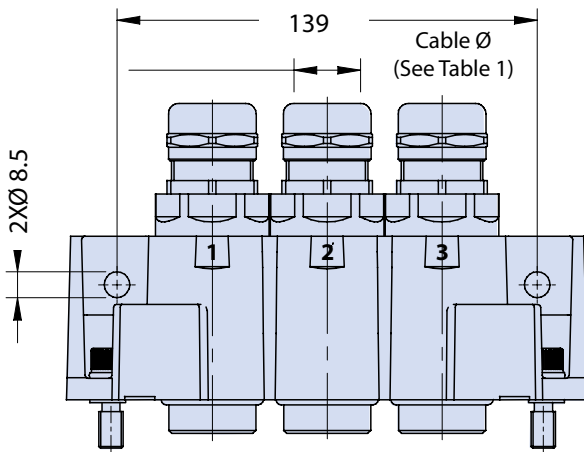


TABLE 1 - CONTACTS

Contact Type	Male Contact P/N	Female Contact P/N	Crimp Bucket - A - (mm)	Cable Section (AWG)	Cable Section (mmq)	Cable Diameter (mmq)		Working Current (A) *	Max Current (A) *
						Min	Max		
1	IRT-1-P-620G10	IRT-1-S-620G10	6.2	4	25	6	13	120	150
2	IRT-2-P-1070G10	IRT-2-S-1070G10	10.7	1/0	50	10	17	150	250
3	IRT-3-P-1650G10	IRT-3-S-1650G10	16.5	4/0	120	16	19	350	450
3A	IRT-3-P-1440G10	IRT-3-S-1440G10	14.4	2/0	70	10	17	250	300
3B	IRT-3-P-1440G10	IRT-3-S-1440G10	14.4	3/0	95	12.5	16	320	400

* Related to cables section



IRT Series Rectangular Multi Pole Power Connector Receptacle Shell Size 02 Assembly for Metallic Gland

Series IRT Multi Pole
Power Connector

Shell Style
R (Receptacle)

Number of
Contacts 4

Contact Gender
P - Male
S - Female

Backend
Metallic Gland (*M*)

IRT**02****R****- 4****1****P****M****XX**

Connector Shell Size
02 (4 Contacts
Screw Matings)

Contact Type
Different types can be used:
1; 2; 3 : All Same Contact type
Example 3(1)-1(2) Different Contact Types
(See Table 1)

Modification
Omitted (for Standard)
B0 (Connector Less Contacts)



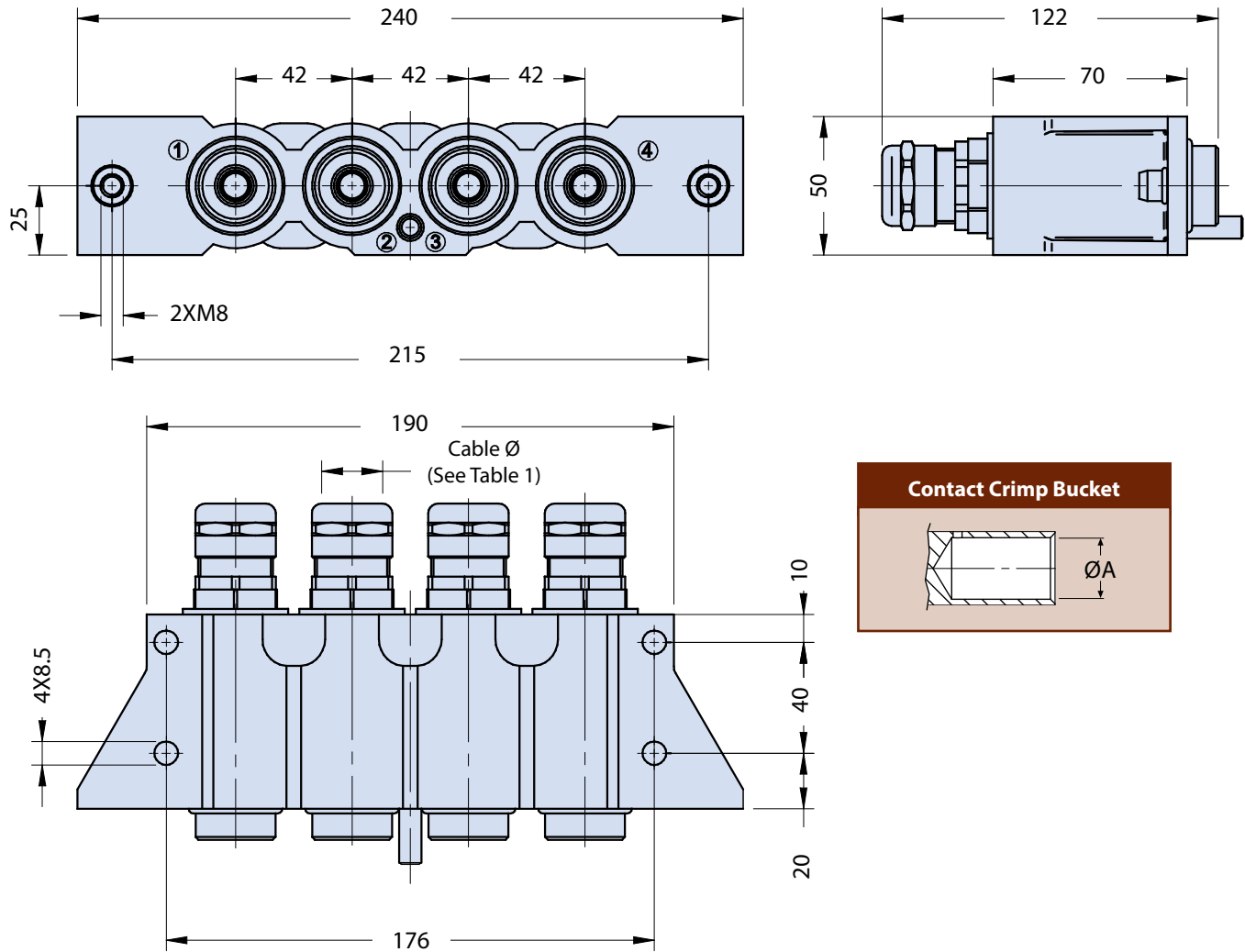
Application Notes

- Receptacle with metallic gland. RoHs compliant.
- Working voltage: 1500 Vac.
- Test voltage: 4500 Vac.
- Water proof: IP67 level (coupled connectors).
- Contact resistance: 0.3 mΩ max.
- Temperature range: -55 to +125°C.
- Contact: copper alloy silver plating.
- Insulator: EN 45545-2 HL3 R22, R23; NFPA 130.
- Shell: Aluminium alloy with electrodeposited black plating.
- Clearance in air: 16.0 mm Min.
- Creepage distance: 16.0 mm Min.

IRT Series
Rectangular Multi Pole Power Connector
 Receptacle Shell Size 02
 Assembly for Metallic Gland



IRT
Connectors



A

TABLE 1 - CONTACTS

Contact Type	Male Contact P/N	Female Contact P/N	Crimp Bucket - A - (mm)	Cable Section (AWG)	Cable Section (mmq)	Cable Diameter (mmq)		Working Current (A) *	Max Current (A) *
						Min	Max		
1	IRT-1-P-620G10	IRT-1-S-620G10	6.2	4	25	6	13	120	150
2	IRT-2-P-1070G10	IRT-2-S-1070G10	10.7	1/0	50	10	17	150	250
3	IRT-3-P-1650G10	IRT-3-S-1650G10	16.5	4/0	120	16	19	350	450
3A	IRT-3-P-1440G10	IRT-3-S-1440G10	14.4	2/0	70	10	17	250	300
3B	IRT-3-P-1440G10	IRT-3-S-1440G10	14.4	3/0	95	12.5	16	320	400

* Related to cables section



IRT Series

Rectangular Multi Pole Power Connector

Plug Shell Size 02

Assembly for Metallic Gland

Series IRT Multi Pole Power Connector

Shell Style
P (Plug)

Number of Contacts
4

Contact Gender
P - Male
S - Female

Backend
Metallic Gland (M)

IRT**02****P****- 4****1****S****M****XX**

Connector Shell Size
02 (4 Contacts Screw Matings)

Contact Type
*Different types can be used:
1; 2; 3 : All Same Contact type
Example 3(1)-1(2) Different Contact Types
(See Table 1)*

Modification
*Omitted (for Standard)
B0 (Connector Less Contacts)*



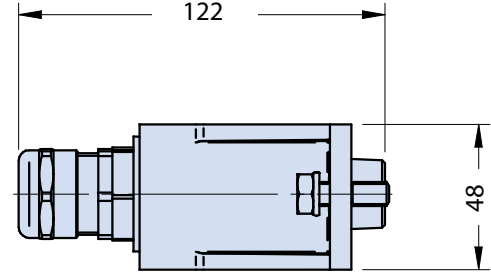
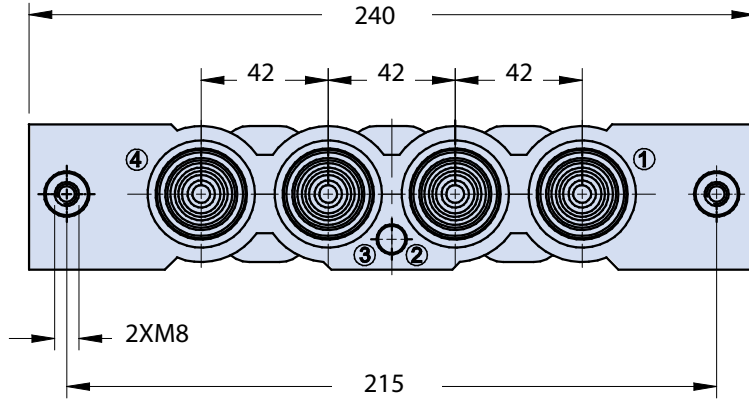
Application Notes

- Plug with metallic gland. RoHs compliant.
- Working voltage: 1500 Vac.
- Test voltage: 4500 Vac.
- Water proof: IP67 level (coupled connectors).
- Contact resistance: 0.3 mΩ max.
- Temperature range: -55 to +125°C.
- Contact: copper alloy silver plating.
- Insulator: EN 45545-2 HL3 R22, R23; NFPA 130.
- Shell: Aluminium alloy with electrodeposited black plating.
- Clearance in air: 16.0 mm Min.
- Creepage distance: 16.0 mm Min.

IRT Series
Rectangular Multi Pole Power Connector
 Plug Shell Size 02
 Assembly for Metallic Gland



IRT
Connectors



A

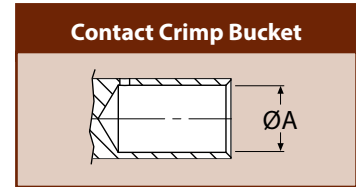
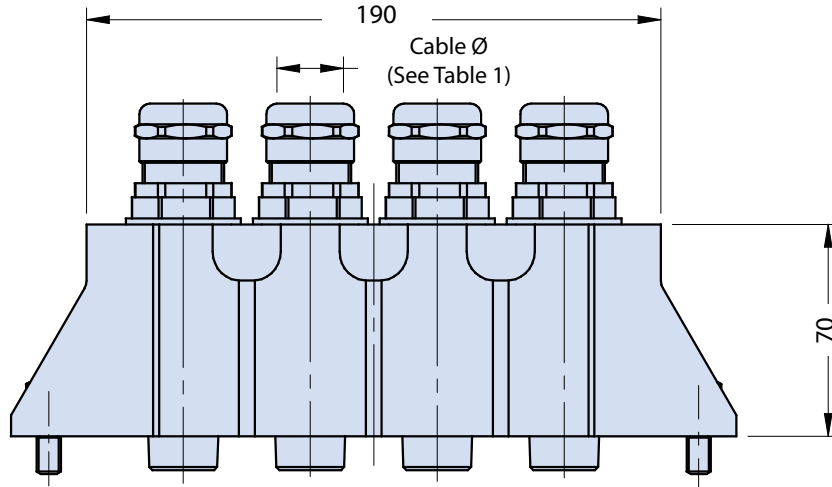


TABLE 1 - CONTACTS

Contact Type	Male Contact P/N	Female Contact P/N	Crimp Bucket - A - (mm)	Cable Section (AWG)	Cable Section (mmq)	Cable Diameter (mmq)		Working Current (A) *	Max Current (A) *
						Min	Max		
1	IRT-1-P-620G10	IRT-1-S-620G10	6.2	4	25	6	13	120	150
2	IRT-2-P-1070G10	IRT-2-S-1070G10	10.7	1/0	50	10	17	150	250
3	IRT-3-P-1650G10	IRT-3-S-1650G10	16.5	4/0	120	16	19	350	450
3A	IRT-3-P-1440G10	IRT-3-S-1440G10	14.4	2/0	70	10	17	250	300
3B	IRT-3-P-1440G10	IRT-3-S-1440G10	14.4	3/0	95	12.5	16	320	400

* Related to cables section



IRT Series

Rectangular Multi Pole Power Connector

Receptacle Shell Size 02

Assembly for Clamp with Strain Relief

Series IRT Multi Pole Power Connector

Shell Style
R (Receptacle)

Number of Contacts
4

Contact Gender
P - Male
S - Female

Backend
Clamp with Strain Relief (**E**)

IRT**02****R****- 4****1****P****E****XX**

Connector Shell Size
02 (4 Contacts Screw Matings)

Contact Type
Different types can be used:
1; 2; 3 : All Same Contact type
Example 3(1)-1(2) Different Contact Types (See Table 1)

Modification
Omitted (for Standard)
B0 (Connector Less Contacts)



Application Notes

- Receptacle with clamp with strain relief. RoHs compliant.
- Working voltage: 1500 Vac.
- Test voltage: 4500 Vac.
- Water proof: IP67 level (coupled connectors).
- Contact resistance: 0.3 mΩ max.
- Temperature range: -55 to +125°C.
- Contact: copper alloy silver plating.
- Insulator: EN 45545-2 HL3 R22, R23; NFPA 130.
- Shell: Aluminium alloy with electrodeposited black plating.
- Clearance in air: 16.0 mm Min.
- Creepage distance: 16.0 mm Min.

IRT Series
Rectangular Multi Pole Power Connector
 Receptacle Shell Size 02
 Assembly for Clamp with Strain Relief



IRT
Connectors

A

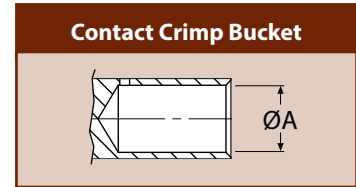
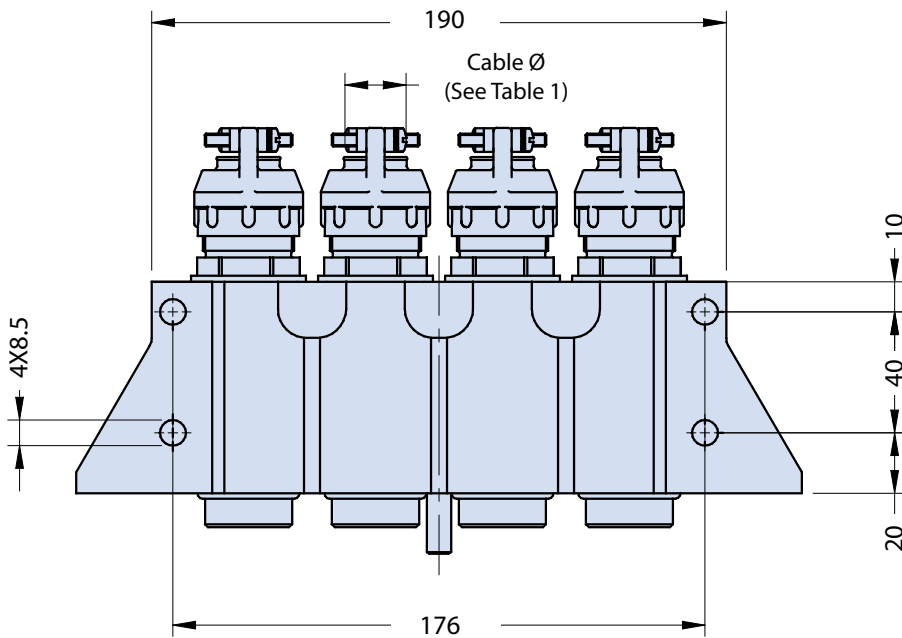
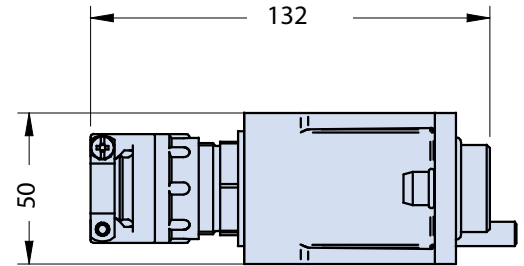
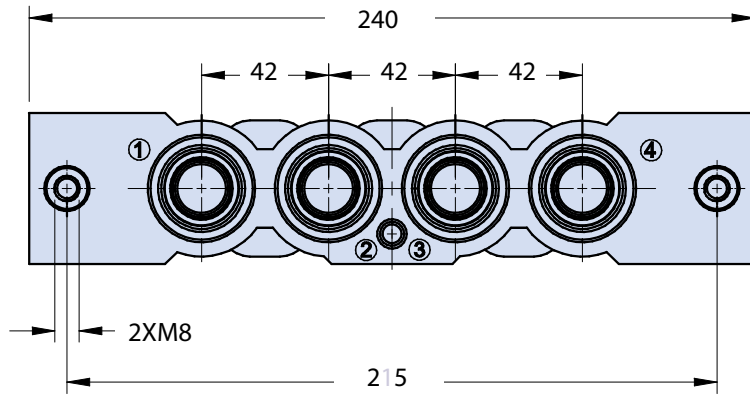


TABLE 1 - CONTACTS

Contact Type	Male Contact P/N	Female Contact P/N	Crimp Bucket - A - (mm)	Cable Section (AWG)	Cable Section (mmq)	Cable Diameter (mmq)		Working Current (A) *	Max Current (A) *
						Min	Max		
1	IRT-1-P-620G10	IRT-1-S-620G10	6.2	4	25	6	13	120	150
2	IRT-2-P-1070G10	IRT-2-S-1070G10	10.7	1/0	50	10	17	150	250
3	IRT-3-P-1650G10	IRT-3-S-1650G10	16.5	4/0	120	16	19	350	450
3A	IRT-3-P-1440G10	IRT-3-S-1440G10	14.4	2/0	70	10	17	250	300
3B	IRT-3-P-1440G10	IRT-3-S-1440G10	14.4	3/0	95	12.5	16	320	400

* Related to cables section



IRT Series Rectangular Multi Pole Power Connector Plug Shell Size 02 Assembly for Clamp with Strain Relief

Series IRT Multi Pole Power Connector

Shell Style
P (Plug)

Number of Contacts
4

Contact Gender
P - Male
S - Female

Backend
Clamp with Strain Relief (*E*)

IRT

02

P

-

4

1

S

E

XX

Connector Shell Size
02 (4 Contacts Screw Matings)

Contact Type
Different types can be used:
1; 2; 3 ... : All Same Contact type
Example 3(1)-1(2) Different Contact Types (See Table 1)

Modification
Omitted (for Standard)
B0 (Connector Less Contacts)



Application Notes

- Plug with clamp with strain relief. RoHs compliant.
- Working voltage: 1500 Vac.
- Test voltage: 4500 Vac.
- Water proof: IP67 level (coupled connectors).
- Contact resistance: 0.3 mΩ max.
- Temperature range: -55 to +125°C.
- Contact: copper alloy silver plating.
- Insulator: EN 45545-2 HL3 R22, R23; NFPA 130.
- Shell: Aluminium alloy with electrodeposited black plating.
- Clearance in air: 16.0 mm Min.
- Creepage distance: 16.0 mm Min.

IRT Series
Rectangular Multi Pole Power Connector
 Plug Shell Size 02
Assembly for Clamp with Strain Relief



IRT
Connectors

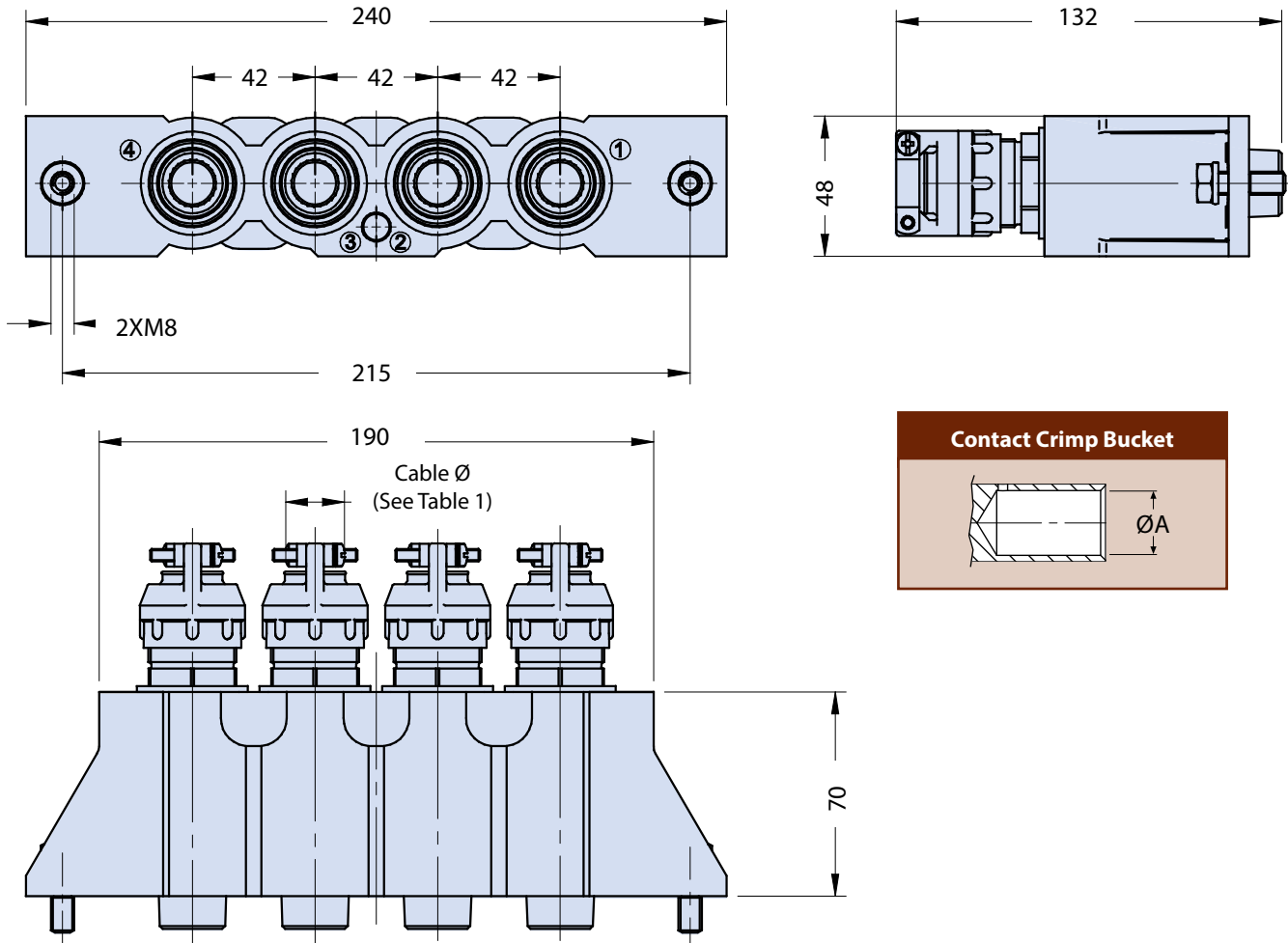


TABLE 1 - CONTACTS

Contact Type	Male Contact P/N	Female Contact P/N	Crimp Bucket - A - (mm)	Cable Section (AWG)	Cable Section (mmq)	Cable Diameter (mmq)		Working Current (A) *	Max Current (A) *
						Min	Max		
1	IRT-1-P-620G10	IRT-1-S-620G10	6.2	4	25	6	13	120	150
2	IRT-2-P-1070G10	IRT-2-S-1070G10	10.7	1/0	50	10	17	150	250
3	IRT-3-P-1650G10	IRT-3-S-1650G10	16.5	4/0	120	16	19	350	450
3A	IRT-3-P-1440G10	IRT-3-S-1440G10	14.4	2/0	70	10	17	250	300
3B	IRT-3-P-1440G10	IRT-3-S-1440G10	14.4	3/0	95	12.5	16	320	400

* Related to cables section



IRT Series

Rectangular Multi Pole Power Connector

Receptacle Shell Size 02

Assembly for Screen EMC Gland

Series IRT Multi Pole Power Connector

Shell Style
R (Receptacle)

Number of Contacts
4

Contact Gender
P - Male
S - Female

Backend
Screen EMC Gland (*S*)

IRT

02

R

-

4

1

P

S

XX

Connector Shell Size
02 (4 Contacts Screw Matings)

Contact Type
Different types can be used:
1; 2; 3 ... : All Same Contact type
Example 3(1)-1(2) Different Contact Types (See Table 1)

Modification
Omitted (for Standard)
B0 (Connector Less Contacts)



Application Notes

- Receptacle with screen EMC gland. RoHs compliant.
- Working voltage: 1500 Vac.
- Test voltage: 4500 Vac.
- Water proof: IP67 level (coupled connectors).
- Contact resistance: 0.3 mΩ max.
- Temperature range: -55 to +125°C.
- Contact: copper alloy silver plating.
- Insulator: EN 45545-2 HL3 R22, R23; NFPA 130.
- Shell: Aluminium alloy with conductive black plating.
- Clearance in air: 16.0 mm Min.
- Creepage distance: 16.0 mm Min.

IRT Series
Rectangular Multi Pole Power Connector
 Receptacle Shell Size 02
 Assembly for Screen EMC Gland

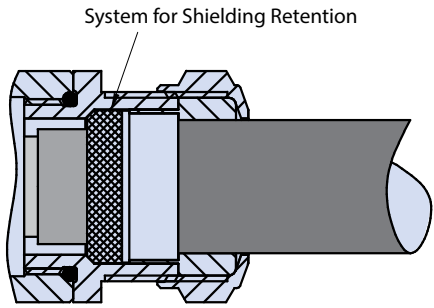
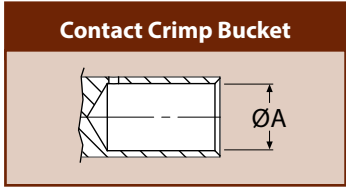
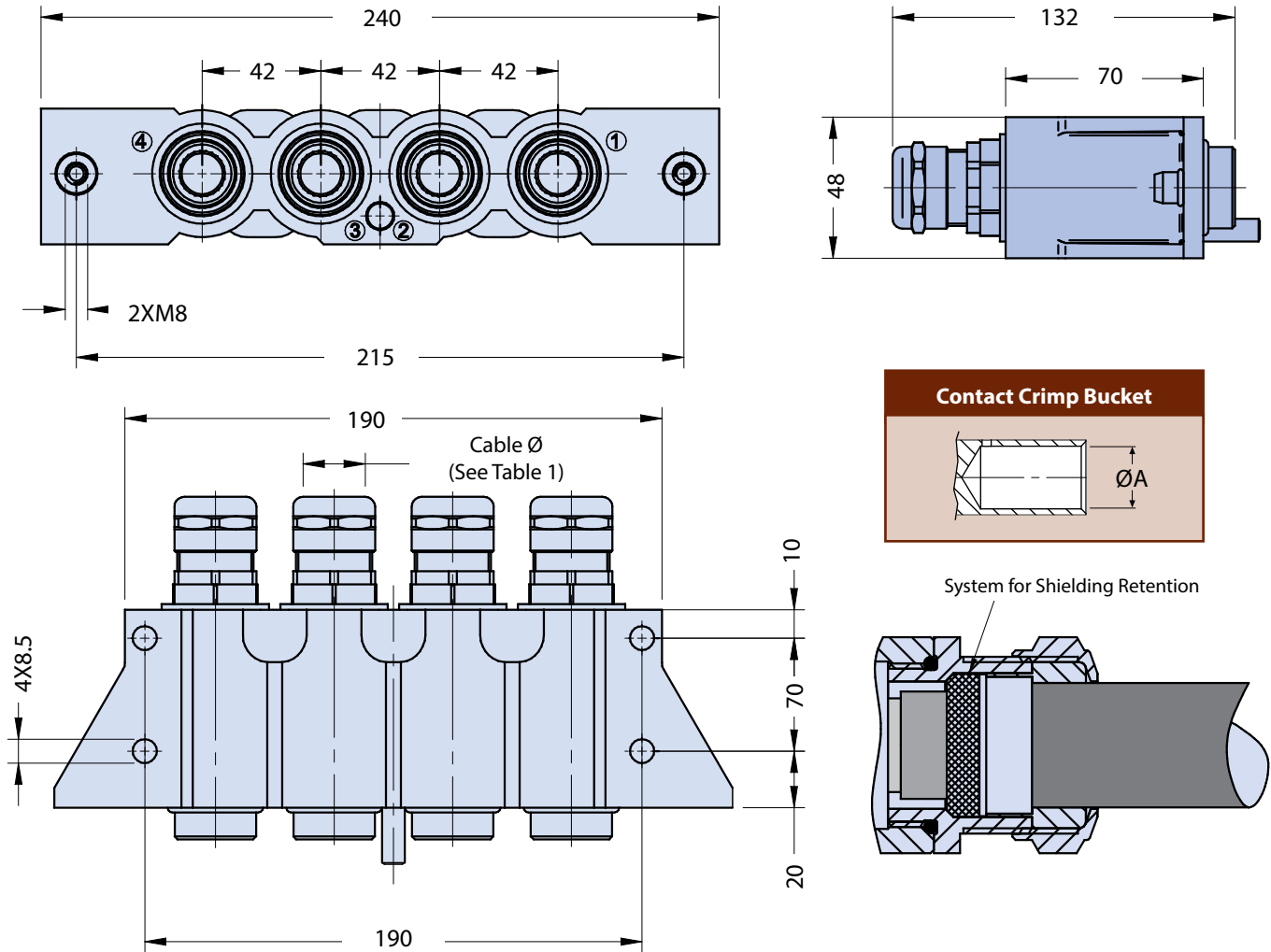


TABLE 1 - CONTACTS

Contact Type	Male Contact P/N	Female Contact P/N	Crimp Bucket - A - (mm)	Cable Section (AWG)	Cable Section (mmq)	Cable Diameter (mmq)		Working Current (A) *	Max Current (A) *
						Min	Max		
1	IRT-1-P-620G10	IRT-1-S-620G10	6.2	4	25	6	13	120	150
2	IRT-2-P-1070G10	IRT-2-S-1070G10	10.7	1/0	50	10	17	150	250
3	IRT-3-P-1650G10	IRT-3-S-1650G10	16.5	4/0	120	16	19	350	450
3A	IRT-3-P-1440G10	IRT-3-S-1440G10	14.4	2/0	70	10	17	250	300
3B	IRT-3-P-1440G10	IRT-3-S-1440G10	14.4	3/0	95	12.5	16	320	400

* Related to cables section



IRT Series Rectangular Multi Pole Power Connector Plug Shell Size 02 Assembly for Screen EMC Gland

Series IRT Multi Pole Power Connector

Shell Style
P (Plug)

Number of Contacts
4

Contact Gender
P - Male
S - Female

Backend
Screen EMC Gland (*S*)

IRT

02

P

-

4

1

S

S

XX

Connector Shell Size
02 (4 Contacts Screw Matings)

Contact Type
Different types can be used:
1; 2; 3 ... : All Same Contact type
Example 3(1)-1(2) Different Contact Types (See Table 1)

Modification
Omitted (for Standard)
B0 (Connector Less Contacts)



Application Notes

- Plug with screen EMC gland. RoHs compliant.
- Working voltage: 1500 Vac.
- Test voltage: 4500 Vac.
- Water proof: IP67 level (coupled connectors).
- Contact resistance: 0.3 mΩ max.
- Temperature range: -55 to +125°C.
- Contact: copper alloy silver plating.
- Insulator: EN 45545-2 HL3 R22, R23; NFPA 130.
- Shell: Aluminium alloy with conductive black plating.
- Clearance in air: 16.0 mm Min.
- Creepage distance: 16.0 mm Min.

IRT Series
Rectangular Multi Pole Power Connector
 Plug Shell Size 02
 Assembly for Screen EMC Gland



IRT
Connectors

A

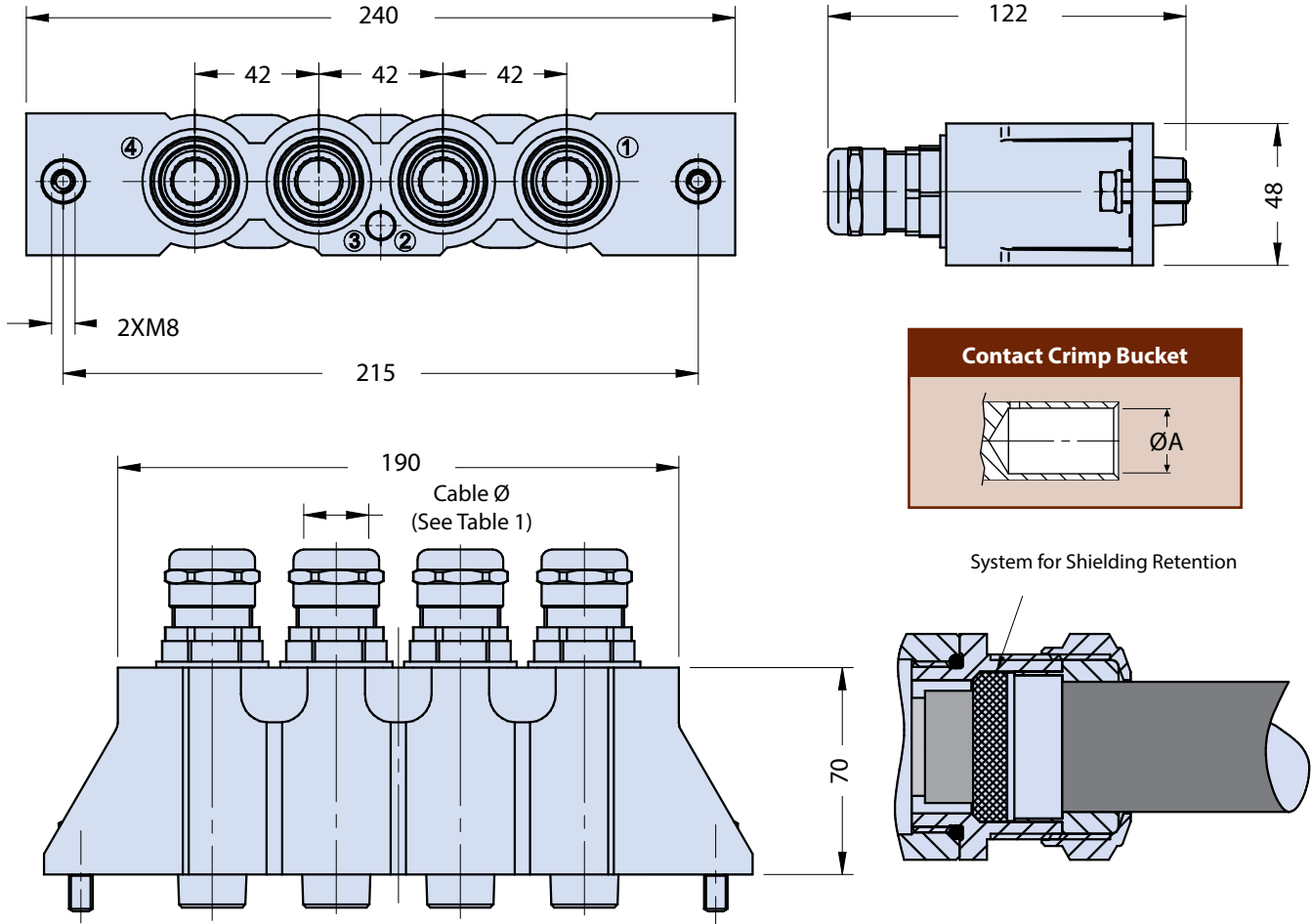


TABLE 1 - CONTACTS

Contact Type	Male Contact P/N	Female Contact P/N	Crimp Bucket - A - (mm)	Cable Section (AWG)	Cable Section (mmq)	Cable Diameter (mmq)		Working Current (A) *	Max Current (A) *
						Min	Max		
1	IRT-1-P-620G10	IRT-1-S-620G10	6.2	4	25	6	13	120	150
2	IRT-2-P-1070G10	IRT-2-S-1070G10	10.7	1/0	50	10	17	150	250
3	IRT-3-P-1650G10	IRT-3-S-1650G10	16.5	4/0	120	16	19	350	450
3A	IRT-3-P-1440G10	IRT-3-S-1440G10	14.4	2/0	70	10	17	250	300
3B	IRT-3-P-1440G10	IRT-3-S-1440G10	14.4	3/0	95	12.5	16	320	400

* Related to cables section



IRT Series Rectangular Multi Pole Power Connector Receptacle Shell Size 03 Assembly for Metallic Gland

Series IRT Multi Pole
Power Connector

Shell Style
R (Receptacle)

Number of
Contacts 4

Contact Gender
P - Male
S - Female

Backend
Metallic Gland (*M*)

IRT

03

R

- 4

1

P

M

XX

Connector Shell Size
03 (4 Contacts
Lever System)

Contact Type
Different types can be used:
1; 2; 3 ... : All Same Contact type
Example 3(1)-1(2) Different Contact Types
(See Table 1)

Modification
Omitted (for Standard)
B0 (Connector Less Contacts)



Application Notes

- Receptacle with metallic gland. RoHs compliant.
- Working voltage: 1500 Vac.
- Test voltage: 4500 Vac.
- Water proof: IP67 level (coupled connectors).
- Contact resistance: 0.3 mΩ max.
- Temperature range: -55 to +125°C.
- Contact: copper alloy silver plating.
- Insulator: EN 45545-2 HL3 R22, R23; NFPA 130.
- Shell: Aluminium alloy with electrodeposited black plating.
- Clearance in air: 16.0 mm Min.
- Creepage distance: 16.0 mm Min.

IRT Series
Rectangular Multi Pole Power Connector
 Receptacle Shell Size 03
 Assembly for Metallic Gland

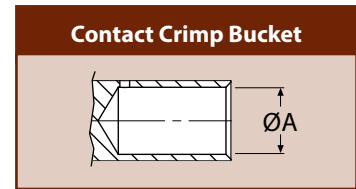
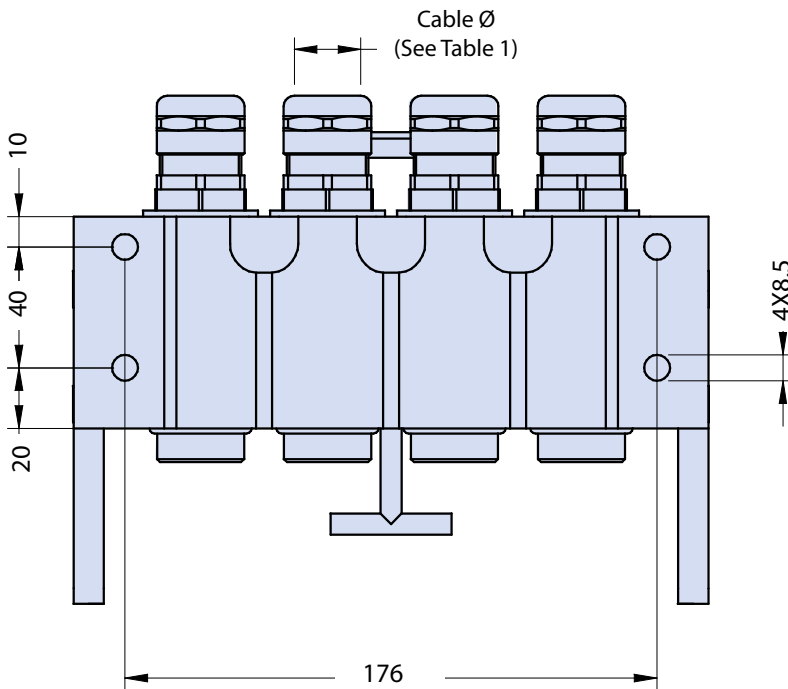
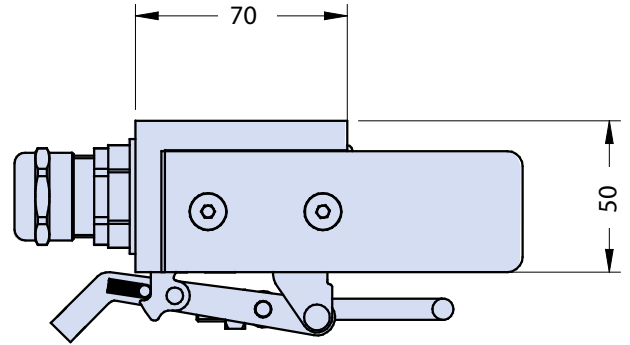
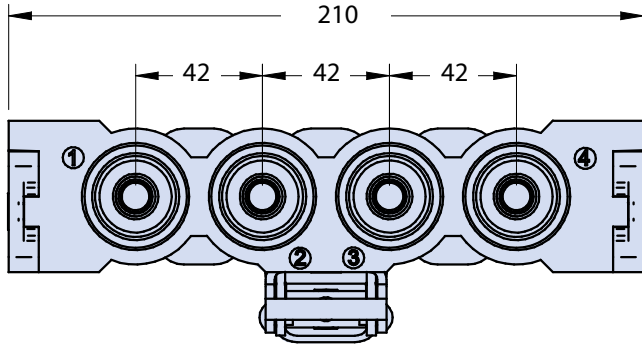


TABLE 1 - CONTACTS

Contact Type	Male Contact P/N	Female Contact P/N	Crimp Bucket - A - (mm)	Cable Section (AWG)	Cable Section (mm ²)	Cable Diameter (mm)		Working Current (A) *	Max Current (A) *
						Min	Max		
1	IRT-1-P-620G10	IRT-1-S-620G10	6.2	4	25	6	13	120	150
2	IRT-2-P-1070G10	IRT-2-S-1070G10	10.7	1/0	50	10	17	150	250
3	IRT-3-P-1650G10	IRT-3-S-1650G10	16.5	4/0	120	16	19	350	450
3A	IRT-3-P-1440G10	IRT-3-S-1440G10	14.4	2/0	70	10	17	250	300
3B	IRT-3-P-1440G10	IRT-3-S-1440G10	14.4	3/0	95	12.5	16	320	400

* Related to cables section



IRT Series Rectangular Multi Pole Power Connector Plug Shell Size 03 Assembly for Metallic Gland

Series IRT Multi Pole
Power Connector

Shell Style
P (Plug)

Number of
Contacts **4**

Contact Gender
*P - Male
S - Female*

Backend
Metallic Gland (M)

IRT**03****P****- 4****1****S****M****XX**

Connector Shell Size
03 (4 Contacts
Lever System)

Contact Type
*Different types can be used:
1; 2; 3 : All Same Contact type
Example 3(1)-1(2) Different Contact Types
(See Table 1)*

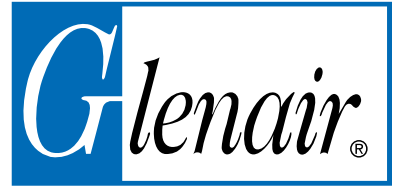
Modification
*Omitted (for Standard)
B0 (Connector Less Contacts)*



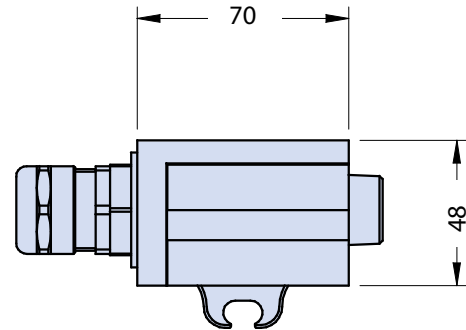
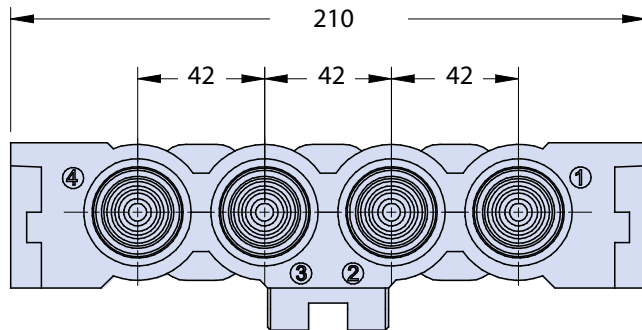
Application Notes

- Plug with metallic gland. RoHs compliant.
- Working voltage: 1500 Vac.
- Test voltage: 4500 Vac.
- Water proof: IP67 level (coupled connectors).
- Contact resistance: 0.3 mΩ max.
- Temperature range: -55 to +125°C.
- Contact: copper alloy silver plating.
- Insulator: EN 45545-2 HL3 R22, R23; NFPA 130.
- Shell: Aluminium alloy with electrodeposited black plating.
- Clearance in air: 16.0 mm Min.
- Creepage distance: 16.0 mm Min.

IRT Series
Rectangular Multi Pole Power Connector
 Plug Shell Size 03
 Assembly for Metallic Gland



IRT
Connectors



A

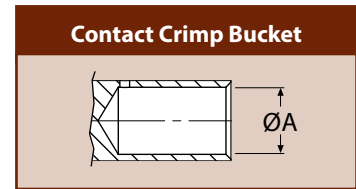
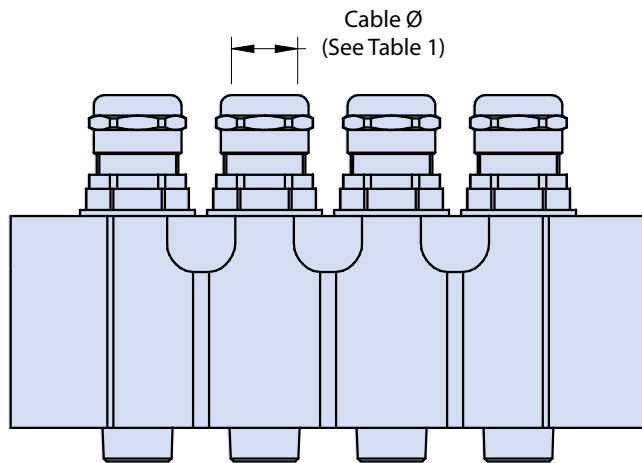


TABLE 1 - CONTACTS

Contact Type	Male Contact P/N	Female Contact P/N	Crimp Bucket - A - (mm)	Cable Section (AWG)	Cable Section (mmq)	Cable Diameter (mmq)		Working Current (A) *	Max Current (A) *
						Min	Max		
1	IRT-1-P-620G10	IRT-1-S-620G10	6.2	4	25	6	13	120	150
2	IRT-2-P-1070G10	IRT-2-S-1070G10	10.7	1/0	50	10	17	150	250
3	IRT-3-P-1650G10	IRT-3-S-1650G10	16.5	4/0	120	16	19	350	450
3A	IRT-3-P-1440G10	IRT-3-S-1440G10	14.4	2/0	70	10	17	250	300
3B	IRT-3-P-1440G10	IRT-3-S-1440G10	14.4	3/0	95	12.5	16	320	400

* Related to cables section



IRT Series

Rectangular Multi Pole Power Connector

Receptacle Shell Size 03

Assembly for Clamp with Strain Relief

Series IRT Multi Pole Power Connector

Shell Style
R (Receptacle)

Number of Contacts
4

Contact Gender
P - Male
S - Female

Backend
Clamp with Strain Relief (*E*)

IRT**03****R****- 4****1****P****E****XX**

Connector Shell Size
03 (4 Contacts Lever System)

Contact Type
Different types can be used:
1; 2; 3 : All Same Contact type
Example 3(1)-1(2) Different Contact Types (See Table 1)

Modification
Omitted (for Standard)
B0 (Connector Less Contacts)



Application Notes

- Receptacle with clamp with strain relief. RoHs compliant.
- Working voltage: 1500 Vac.
- Test voltage: 4500 Vac.
- Water proof: IP67 level (coupled connectors).
- Contact resistance: 0.3 mΩ max.
- Temperature range: -55 to +125°C.
- Contact: copper alloy silver plating.
- Insulator: EN 45545-2 HL3 R22, R23; NFPA 130.
- Shell: Aluminium alloy with electrodeposited black plating.
- Clearance in air: 16.0 mm Min.
- Creepage distance: 16.0 mm Min.

IRT Series
Rectangular Multi Pole Power Connector
 Receptacle Shell Size 03
 Assembly for Clamp with Strain Relief

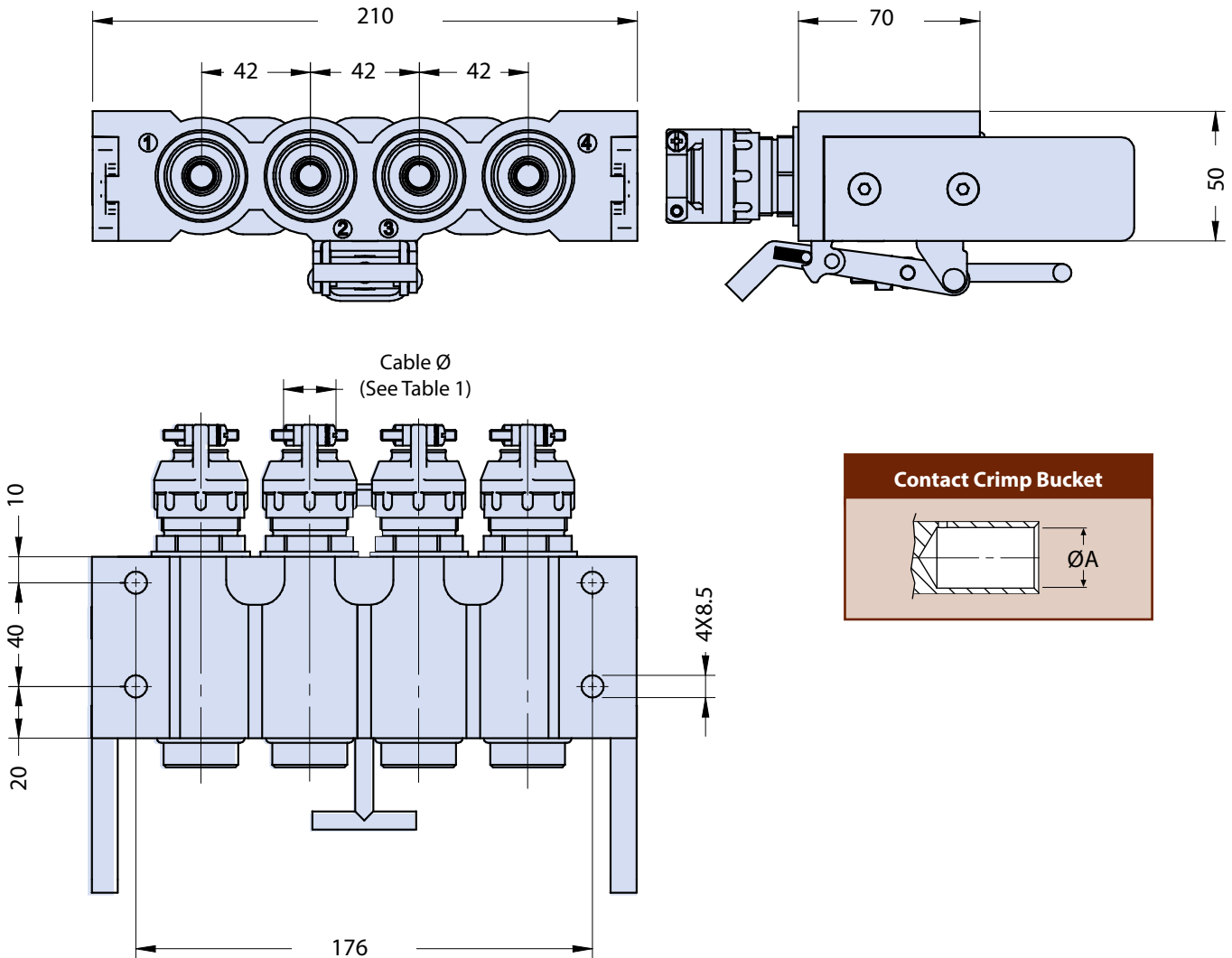


TABLE 1 - CONTACTS

Contact Type	Male Contact P/N	Female Contact P/N	Crimp Bucket - A - (mm)	Cable Section (AWG)	Cable Section (mmq)	Cable Diameter (mmq)		Working Current (A) *	Max Current (A) *
						Min	Max		
1	IRT-1-P-620G10	IRT-1-S-620G10	6.2	4	25	6	13	120	150
2	IRT-2-P-1070G10	IRT-2-S-1070G10	10.7	1/0	50	10	17	150	250
3	IRT-3-P-1650G10	IRT-3-S-1650G10	16.5	4/0	120	16	19	350	450
3A	IRT-3-P-1440G10	IRT-3-S-1440G10	14.4	2/0	70	10	17	250	300
3B	IRT-3-P-1440G10	IRT-3-S-1440G10	14.4	3/0	95	12.5	16	320	400

* Related to cables section



IRT Series

Rectangular Multi Pole Power Connector

Plug Shell Size 03

Assembly for Clamp with Strain Relief

Series IRT Multi Pole Power Connector

Shell Style
P (Plug)

Number of Contacts
4

Contact Gender
P - Male
S - Female

Backend
Clamp with Strain Relief (*E*)

IRT

03

P

-

4

1

S

E

XX

Connector Shell Size
03 (4 Contacts Lever System)

Contact Type
Different types can be used:
1; 2; 3 : All Same Contact type
Example 3(1)-1(2) Different Contact Types (See Table 1)

Modification
Omitted (for Standard)
B0 (Connector Less Contacts)



Application Notes

- Plug with clamp with strain relief. RoHs compliant.
- Working voltage: 1500 Vac.
- Test voltage: 4500 Vac.
- Water proof: IP67 level (coupled connectors).
- Contact resistance: 0.3 mΩ max.
- Temperature range: -55 to +125°C.
- Contact: copper alloy silver plating.
- Insulator: EN 45545-2 HL3 R22, R23; NFPA 130.
- Shell: Aluminium alloy with electrodeposited black plating.
- Clearance in air: 16.0 mm Min.
- Creepage distance: 16.0 mm Min.

IRT Series
Rectangular Multi Pole Power Connector
 Plug Shell Size 03
 Assembly for Clamp with Strain Relief

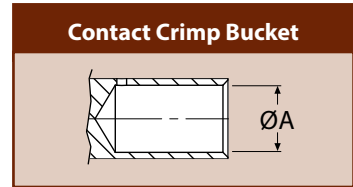
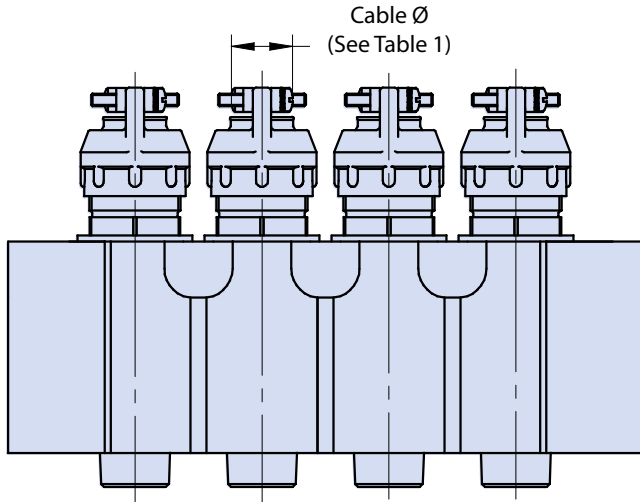
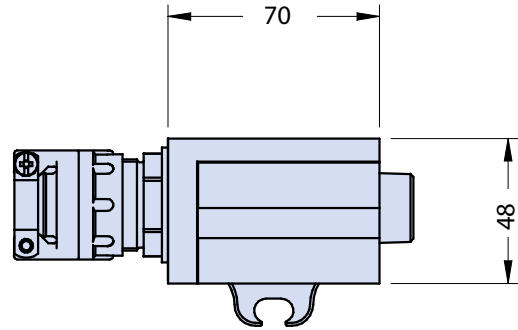
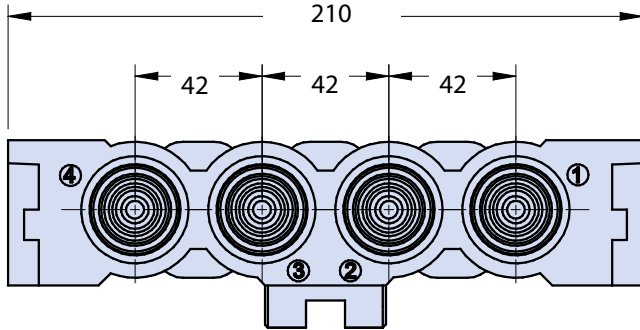


TABLE 1 - CONTACTS

Contact Type	Male Contact P/N	Female Contact P/N	Crimp Bucket - A - (mm)	Cable Section (AWG)	Cable Section (mmq)	Cable Diameter (mmq)		Working Current (A) *	Max Current (A) *
						Min	Max		
1	IRT-1-P-620G10	IRT-1-S-620G10	6.2	4	25	6	13	120	150
2	IRT-2-P-1070G10	IRT-2-S-1070G10	10.7	1/0	50	10	17	150	250
3	IRT-3-P-1650G10	IRT-3-S-1650G10	16.5	4/0	120	16	19	350	450
3A	IRT-3-P-1440G10	IRT-3-S-1440G10	14.4	2/0	70	10	17	250	300
3B	IRT-3-P-1440G10	IRT-3-S-1440G10	14.4	3/0	95	12.5	16	320	400

* Related to cables section



IRT Series Rectangular Multi Pole Power Connector Receptacle Shell Size 03 Assembly for Screen EMC Gland

Series IRT Multi Pole Power Connector

Shell Style
R (Receptacle)

Number of Contacts
4

Contact Gender
P - Male
S - Female

Backend
Screen EMC Gland (S)

IRT

03

R

- 4

1

P

S

XX

Connector Shell Size
03 (4 Contacts
Lever System)

Contact Type
Different types can be used:
1 ; 2 ; 3 : All Same Contact type
Example 3(1)-1(2) Different Contact Types
(See Table 1)

Modification
Omitted (for Standard)
B0 (Connector Less Contacts)



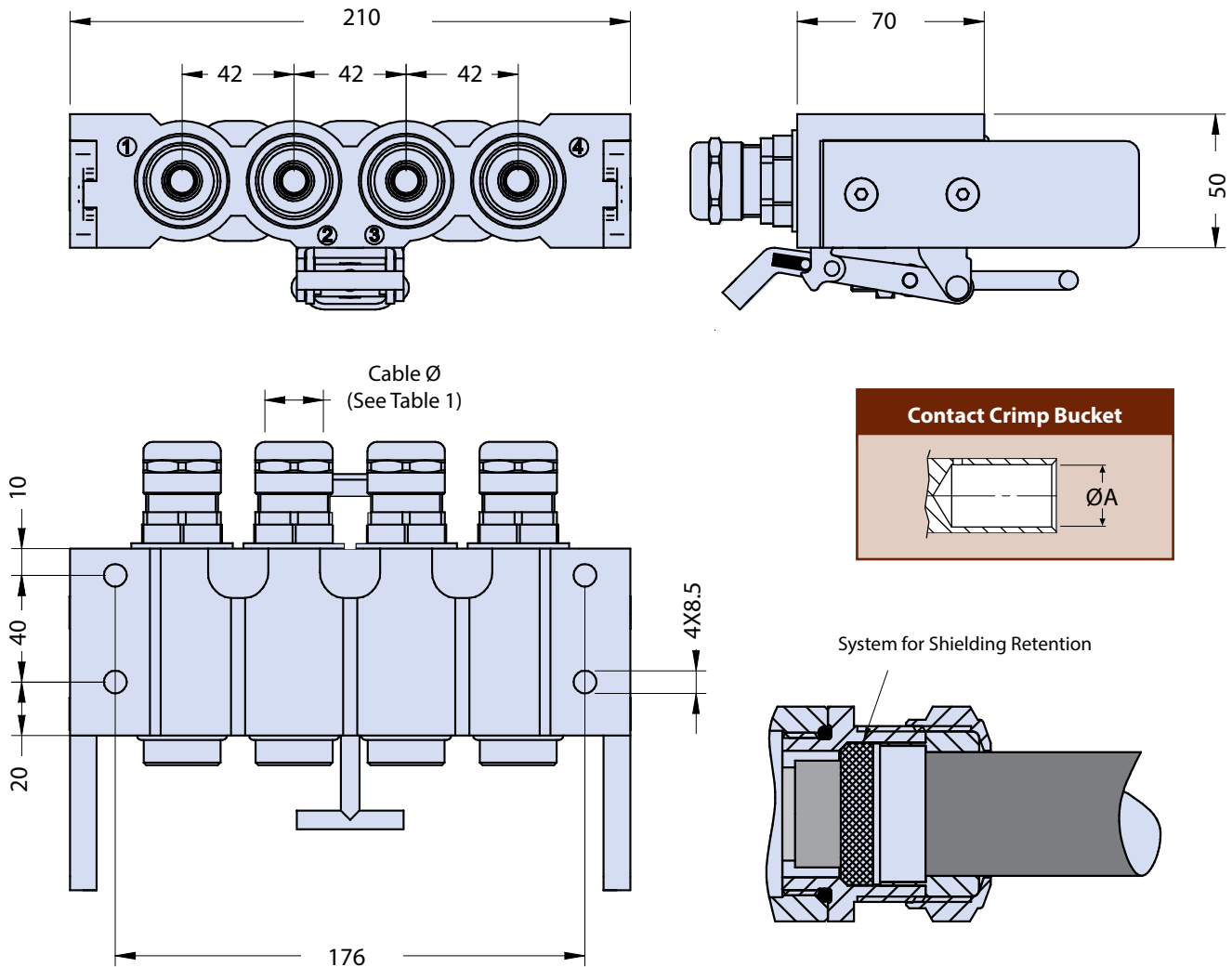
Application Notes

- Receptacle with screen EMC gland. RoHs compliant.
- Working voltage: 1500 Vac.
- Test voltage: 4500 Vac.
- Water proof: IP67 level (coupled connectors).
- Contact resistance: 0.3 mΩ max.
- Temperature range: -55 to +125°C.
- Contact: copper alloy silver plating.
- Insulator: EN 45545-2 HL3 R22, R23; NFPA 130.
- Shell: Aluminium alloy with conductive black plating.
- Clearance in air: 16.0 mm Min.
- Creepage distance: 16.0 mm Min.

IRT Series
Rectangular Multi Pole Power Connector
 Receptacle Shell Size 03
 Assembly for Screen EMC Gland



IRT
Connectors



A

TABLE 1 - CONTACTS

Contact Type	Male Contact P/N	Female Contact P/N	Crimp Bucket - A - (mm)	Cable Section (AWG)	Cable Section (mmq)	Cable Diameter (mmq)		Working Current (A) *	Max Current (A) *
						Min	Max		
1	IRT-1-P-620G10	IRT-1-S-620G10	6.2	4	25	6	13	120	150
2	IRT-2-P-1070G10	IRT-2-S-1070G10	10.7	1/0	50	10	17	150	250
3	IRT-3-P-1650G10	IRT-3-S-1650G10	16.5	4/0	120	16	19	350	450
3A	IRT-3-P-1440G10	IRT-3-S-1440G10	14.4	2/0	70	10	17	250	300
3B	IRT-3-P-1440G10	IRT-3-S-1440G10	14.4	3/0	95	12.5	16	320	400

* Related to cables section



IRT Series Rectangular Multi Pole Power Connector Plug Shell Size 03 Assembly for Screen EMC Gland

Series IRT Multi Pole Power Connector

Shell Style
P (Plug)

Number of Contacts
4

Contact Gender
P - Male
S - Female

Backend
Screen EMC Gland (S)

IRT

03

P

- 4

1

S

S

XX

Connector Shell Size
03 (4 Contacts
Lever System)

Contact Type
Different types can be used:
1 ; 2 ; 3 : All Same Contact type
Example 3(1)-1(2) Different Contact Types
(See Table 1)

Modification
Omitted (for Standard)
B0 (Connector Less Contacts)



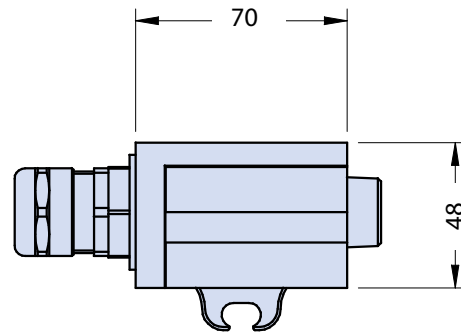
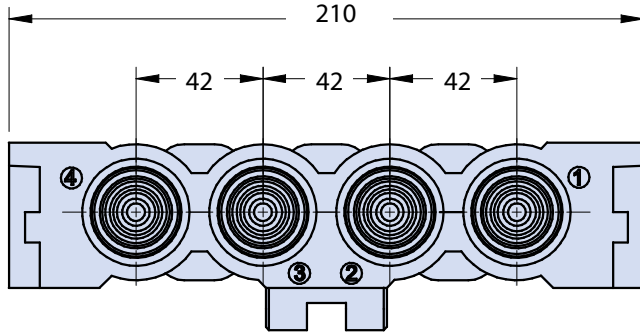
Application Notes

- Plug with screen EMC gland. RoHs compliant.
- Working voltage: 1500 Vac.
- Test voltage: 4500 Vac.
- Water proof: IP67 level (coupled connectors).
- Contact resistance: 0.3 mΩ max.
- Temperature range: -55 to +125°C.
- Contact: copper alloy silver plating.
- Insulator: EN 45545-2 HL3 R22, R23; NFPA 130.
- Shell: Aluminium alloy with conductive black plating.
- Clearance in air: 16.0 mm Min.
- Creepage distance: 16.0 mm Min.

**IRT Series
Rectangular Multi Pole Power Connector
Plug Shell Size 03
Assembly for Screen EMC Gland**



IRT
Connectors



A

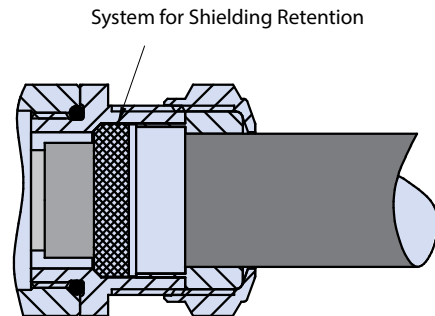
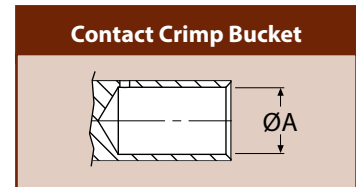
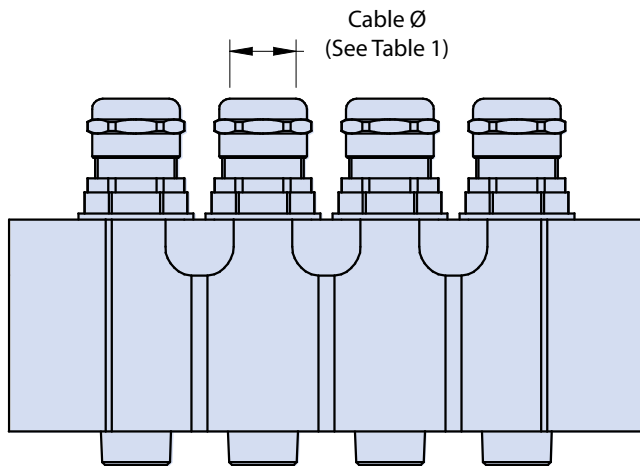


TABLE 1 - CONTACTS

Contact Type	Male Contact P/N	Female Contact P/N	Crimp Bucket - A - (mm)	Cable Section (AWG)	Cable Section (mmq)	Cable Diameter (mmq)		Working Current (A) *	Max Current (A) *
						Min	Max		
1	IRT-1-P-620G10	IRT-1-S-620G10	6.2	4	25	6	13	120	150
2	IRT-2-P-1070G10	IRT-2-S-1070G10	10.7	1/0	50	10	17	150	250
3	IRT-3-P-1650G10	IRT-3-S-1650G10	16.5	4/0	120	16	19	350	450
3A	IRT-3-P-1440G10	IRT-3-S-1440G10	14.4	2/0	70	10	17	250	300
3B	IRT-3-P-1440G10	IRT-3-S-1440G10	14.4	3/0	95	12.5	16	320	400

* Related to cables section



IRT Series Rectangular Multi Pole Power Connector Receptacle Shell Size 04 Assembly for Metallic Gland

Series IRT Multi Pole
Power Connector

Shell Style
R (Receptacle)

Number of
Contacts 3

Contact Gender
P - Male
S - Female

Backend
Metallic Gland (M)

IRT

04

R

- 3

5

P

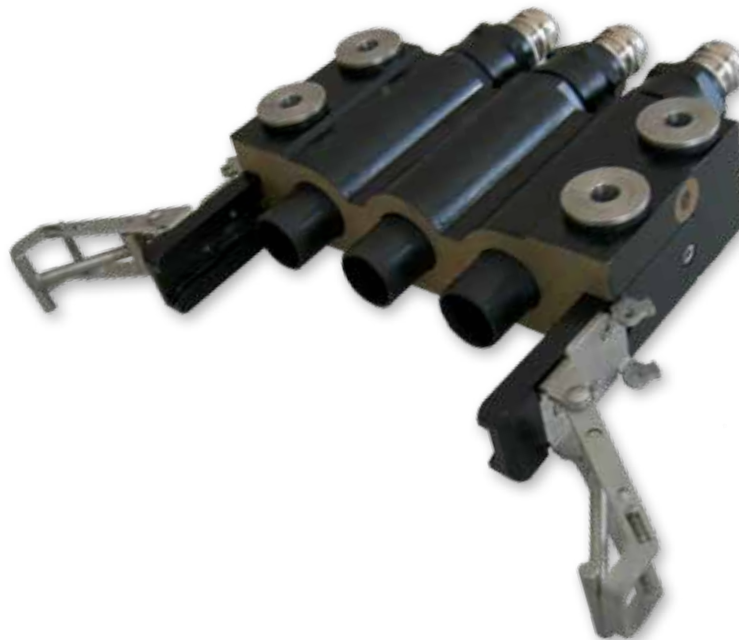
M

XX

Connector Shell Size
04 (3 Contacts Double
Lever System)

Contact Type
Different types can be used:
4 ; 4A ; 4B : All Same Contact Type
Example 2(4)-1(4A) Different Contact Types
(See Table 1)

Modification
Omitted (for Standard)
B0 (Connector Less Contacts)



Application Notes

- Receptacle with metallic gland and dumpers, for bogie applications. RoHs compliant.
- Working voltage: 3000 Vac.
- Test voltage: 12000 Vac.
- Water proof: IP67 level (coupled connectors).
- Contact resistance: 0.3 mΩ max.
- Temperature range: -55 to +125°C.
- Contact: copper alloy silver plating.
- Insulator: EN 45545-2 HL3 R22, R23; NFPA 130.
- Shell: Aluminium alloy with electrodeposited black plating.
- Clearance in air: 26.8 mm Min.
- Creepage distance: 26.8 mm Min.

IRT Series
Rectangular Multi Pole Power Connector
 Receptacle Shell Size 04
 Assembly for Metallic Gland

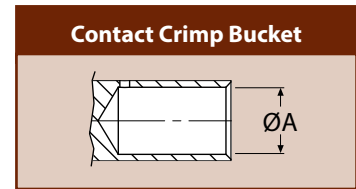
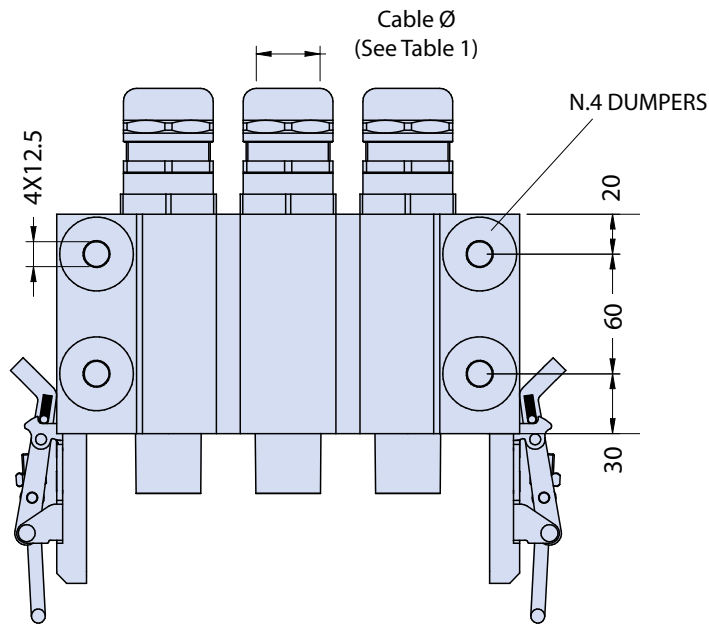
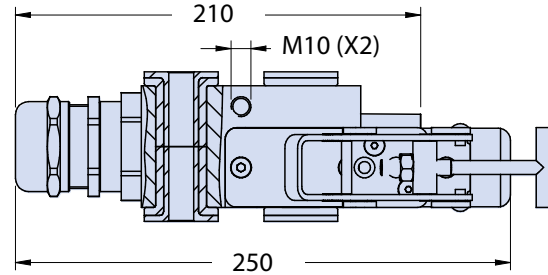
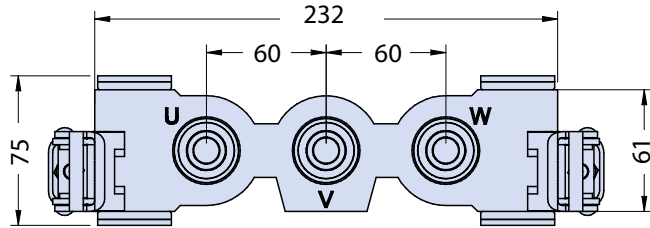


TABLE 1 - CONTACTS

Contact Type	Male Contact P/N	Female Contact P/N	Crimp Bucket - A - (mm)	Cable Section (AWG)	Cable Section (mmq)	Cable Diameter (mmq)		Working Current (A) *	Max Current (A) *
						Min	Max		
4	IRT-4-P-1780G10	IRT-4-S-1780G10	17.8	26MCM	120	11	21	450	520
4A	IRT-4-P-1650G10	IRT-4-S-1650G10	16.5	4/0	107	11	21	350	450
4B	IRT-4-P-1440G10	IRT-4-S-1440G10	14.4	3/0	95	11	21	320	400
4C	IRT-4-P-1440G10	IRT-4-S-1440G10	14.4	2/0	70	11	21	250	300
4D	IRT-4-P-1150G10	IRT-4-S-1150G10	11.5	1/0	50	10	17	150	250

* Related to cables section



IRT Series Rectangular Multi Pole Power Connector Plug Shell Size 04 Assembly for Metallic Gland

Series IRT Multi Pole
Power Connector

Shell Style
P (Plug)

Number of
Contacts 3

Contact Gender
P - Male
S - Female

Backend
Metallic Gland (M)

IRT

04

P

- 3

5

S

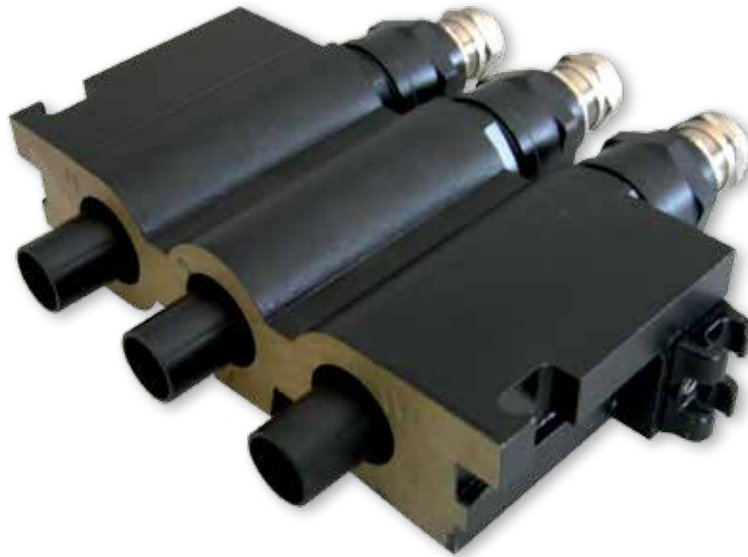
M

XX

Connector Shell Size
04 (3 Contacts Double
Lever System)

Contact Type
Different types can be used:
4 ; 4A ; 4B ... : All Same Contact Type
Example 2(4)-1(4A) Different Contact Types
(See Table 1)

Modification
Omitted (for Standard)
B0 (Connector Less Contacts)



Application Notes

- Plug with metallic gland. RoHs compliant.
- Working voltage: 3000 Vac.
- Test voltage: 12000 Vac.
- Water proof: IP67 level (coupled connectors).
- Contact resistance: 0.3 mΩ max.
- Temperature range: -55 to +125°C.
- Contact: copper alloy silver plating.
- Insulator: EN 45545-2 HL3 R22, R23; NFPA 130.
- Shell: Aluminium alloy with electrodeposited black plating.
- Clearance in air: 26.8 mm Min.
- Creepage distance: 26.8 mm Min.

IRT Series
Rectangular Multi Pole Power Connector
Plug Shell Size 04
Assembly for Metallic Gland

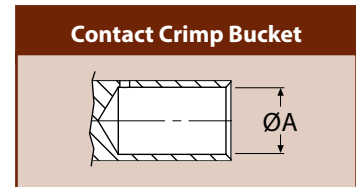
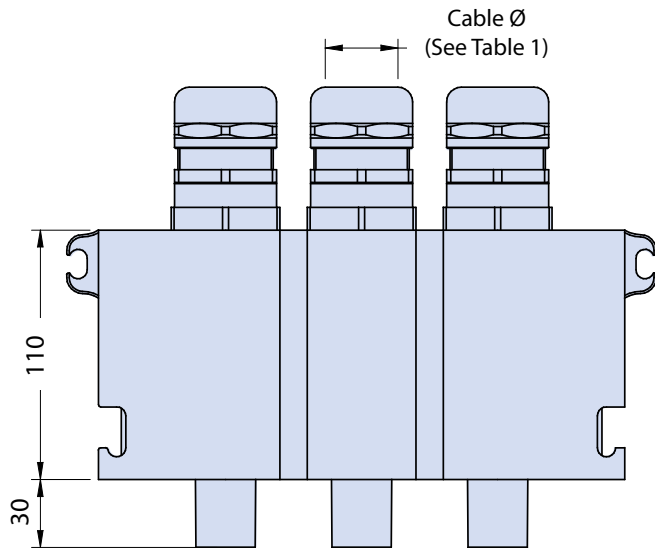
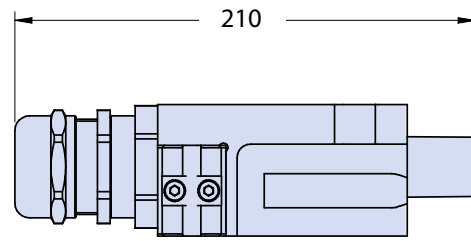
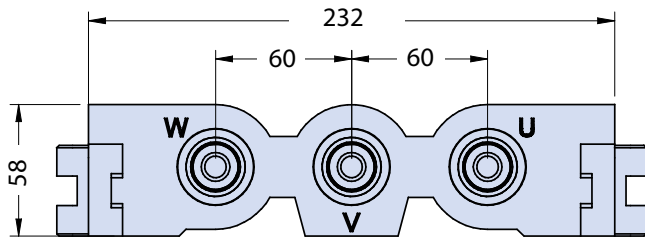
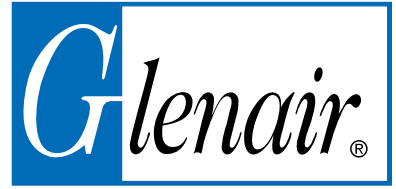


TABLE 1 - CONTACTS

Contact Type	Male Contact P/N	Female Contact P/N	Crimp Bucket - A - (mm)	Cable Section (AWG)	Cable Section (mmq)	Cable Diameter (mmq)		Working Current (A) *	Max Current (A) *
						Min	Max		
4	IRT-4-P-1780G10	IRT-4-S-1780G10	17.8	26MCM	120	11	21	450	520
4A	IRT-4-P-1650G10	IRT-4-S-1650G10	16.5	4/0	107	11	21	350	450
4B	IRT-4-P-1440G10	IRT-4-S-1440G10	14.4	3/0	95	11	21	320	400
4C	IRT-4-P-1440G10	IRT-4-S-1440G10	14.4	2/0	70	11	21	250	300
4D	IRT-4-P-1150G10	IRT-4-S-1150G10	11.5	1/0	50	10	17	150	250

* Related to cables section



IRT Series Rectangular Multi Pole Power Connector Receptacle Shell Size 04 Assembly for Clamp with Strain Relief

Series IRT Multi Pole Power Connector

Shell Style R (Receptacle)

Number of Contacts 3

Contact Gender P - Male S - Female

Backend Clamp with Strain Relief (E)

IRT

04

R

- 3

5

P

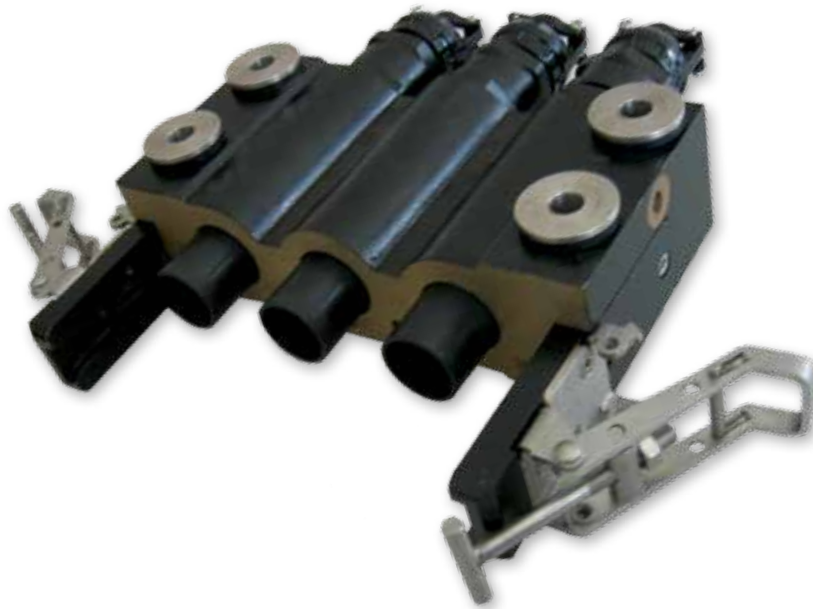
E

XX

Connector Shell Size 04 (3 Contacts Double Lever System)

Contact Type
Different types can be used:
4 ; 4A ; 4B : All Same Contact Type
Example 2(4)-1(4A) Different Contact Types (See Table 1)

Modification Omitted (for Standard) B0 (Connector Less Contacts)



Application Notes

- Receptacle with clamp with strain relief and dumpers, for bogie applications. RoHs compliant.
- Working voltage: 3000 Vac.
- Test voltage: 12000 Vac.
- Water proof: IP67 level (coupled connectors).
- Contact resistance: 0.3 mΩ max.
- Temperature range: -55 to +125°C.
- Contact: copper alloy silver plating.
- Insulator: EN 45545-2 HL3 R22, R23; NFPA 130.
- Shell: Aluminium alloy with electrodeposited black plating.
- Clearance in air: 26.8 mm Min.
- Creepage distance: 26.8 mm Min.

IRT Series
Rectangular Multi Pole Power Connector
 Receptacle Shell Size 04
 Assembly for Clamp with Strain Relief

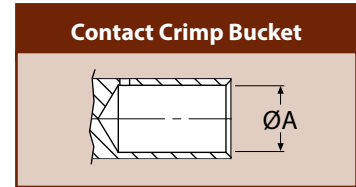
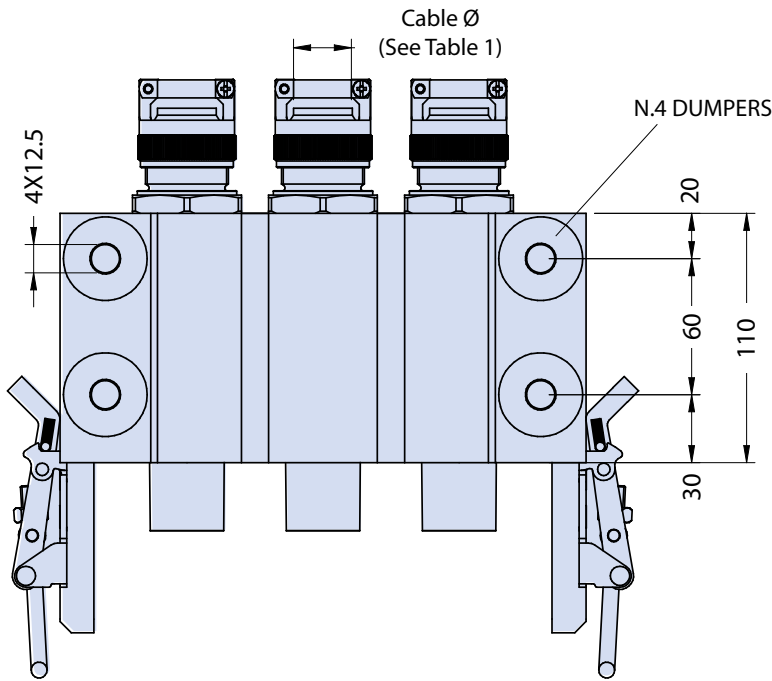
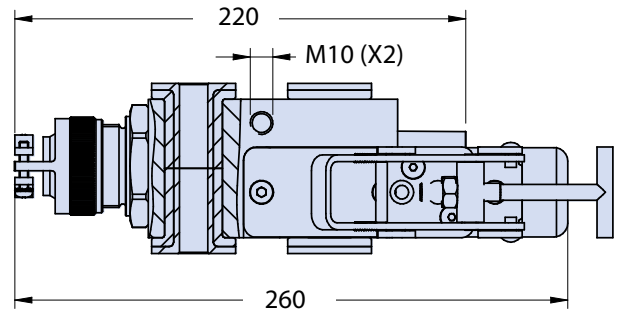
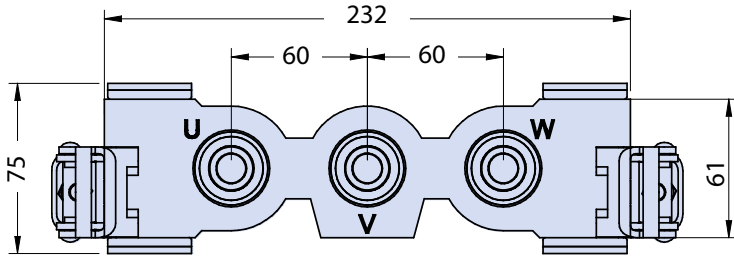


TABLE 1 - CONTACTS

Contact Type	Male Contact P/N	Female Contact P/N	Crimp Bucket - A - (mm)	Cable Section (AWG)	Cable Section (mmq)	Cable Diameter (mmq)		Working Current (A) *	Max Current (A) *
						Min	Max		
4	IRT-4-P-1780G10	IRT-4-S-1780G10	17.8	26MCM	120	11	21	450	520
4A	IRT-4-P-1650G10	IRT-4-S-1650G10	16.5	4/0	107	11	21	350	450
4B	IRT-4-P-1440G10	IRT-4-S-1440G10	14.4	3/0	95	11	21	320	400
4C	IRT-4-P-1440G10	IRT-4-S-1440G10	14.4	2/0	70	11	21	250	300
4D	IRT-4-P-1150G10	IRT-4-S-1150G10	11.5	1/0	50	10	17	150	250

* Related to cables section



IRT Series Rectangular Multi Pole Power Connector Plug Shell Size 04 Assembly for Clamp with Strain Relief

Series IRT Multi Pole
Power Connector

Shell Style
P (Plug)

Number of
Contacts 3

Contact Gender
P - Male
S - Female

Backend
Clamp with Strain
Relief (E)

IRT

04

P

- 3

5

S

E

XX

Connector Shell Size
04 (3 Contacts Double
Lever System)

Contact Type
Different types can be used:
4 ; 4A ; 4B : All Same Contact Type
Example 2(4)-1(4A) Different Contact Types
(See Table 1)

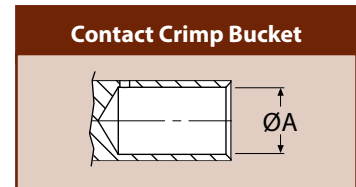
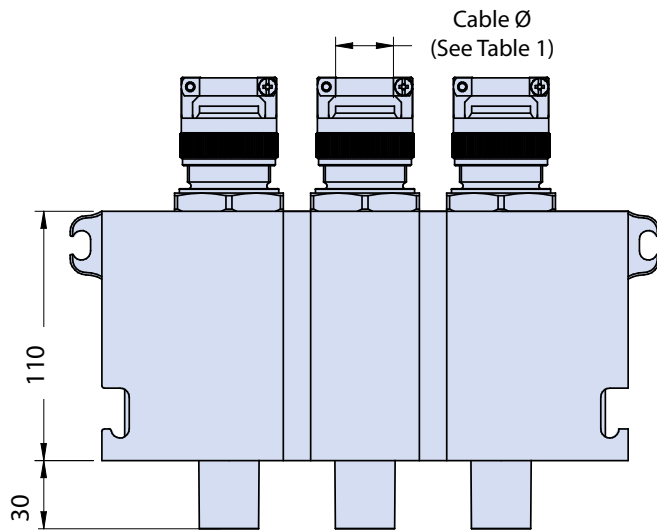
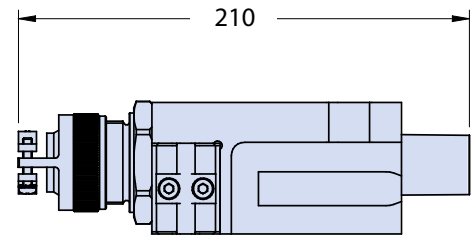
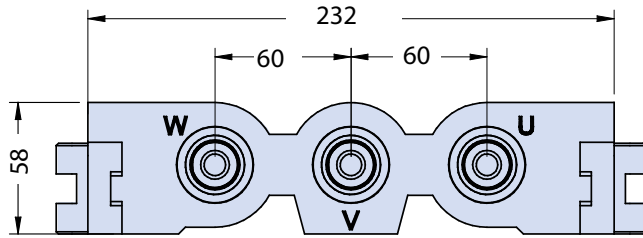
Modification
Omitted (for Standard)
B0 (Connector Less Contacts)



Application Notes

- Plug with clamp with strain relief. RoHs compliant.
- Working voltage: 3000 Vac.
- Test voltage: 12000 Vac.
- Water proof: IP67 level (coupled connectors).
- Contact resistance: 0.3 mΩ max.
- Temperature range: -55 to +125°C.
- Contact: copper alloy silver plating.
- Insulator: EN 45545-2 HL3 R22, R23; NFPA 130.
- Shell: Aluminium alloy with electrodeposited black plating.
- Clearance in air: 26.8 mm Min.
- Creepage distance: 26.8 mm Min.

IRT Series
Rectangular Multi Pole Power Connector
Plug Shell Size 04
Assembly for Clamp with Strain Relief



A

TABLE 1 - CONTACTS

Contact Type	Male Contact P/N	Female Contact P/N	Crimp Bucket - A - (mm)	Cable Section (AWG)	Cable Section (mmq)	Cable Diameter (mmq)		Working Current (A) *	Max Current (A) *
						Min	Max		
4	IRT-4-P-1780G10	IRT-4-S-1780G10	17.8	26MCM	120	11	21	450	520
4A	IRT-4-P-1650G10	IRT-4-S-1650G10	16.5	4/0	107	11	21	350	450
4B	IRT-4-P-1440G10	IRT-4-S-1440G10	14.4	3/0	95	11	21	320	400
4C	IRT-4-P-1440G10	IRT-4-S-1440G10	14.4	2/0	70	11	21	250	300
4D	IRT-4-P-1150G10	IRT-4-S-1150G10	11.5	1/0	50	10	17	150	250

* Related to cables section



IRT Series Rectangular Multi Pole Power Connector Receptacle Shell Size 04 Assembly for Screen EMC Gland

Series IRT Multi Pole
Power Connector

Shell Style
R (Receptacle)

Number of
Contacts 3

Contact Gender
P - Male
S - Female

Backend
Screen EMC Gland (S)

IRT

04

R

- 3

5

P

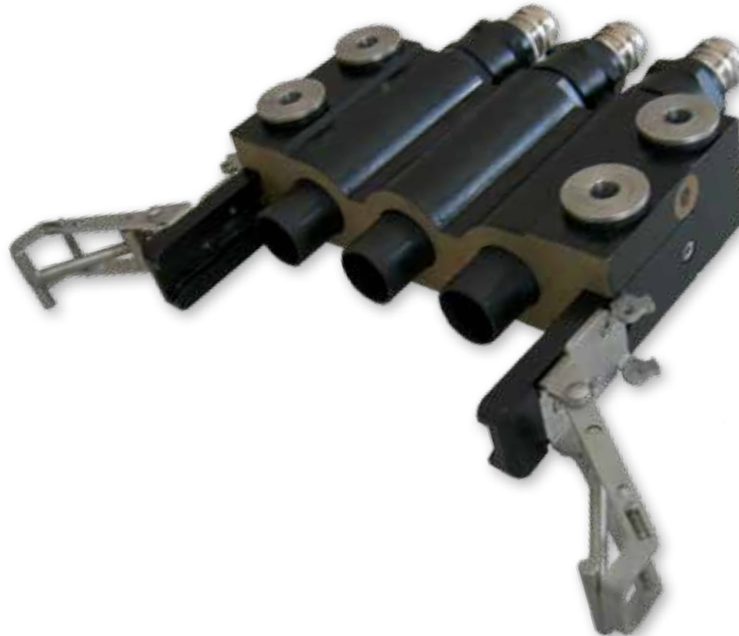
S

XX

Connector Shell Size
04 (3 Contacts Double
Lever System)

Contact Type
Different types can be used:
4 ; 4A ; 4B : All Same Contact Type
Example 2(4)-1(4A) Different Contact Types
(See Table 1)

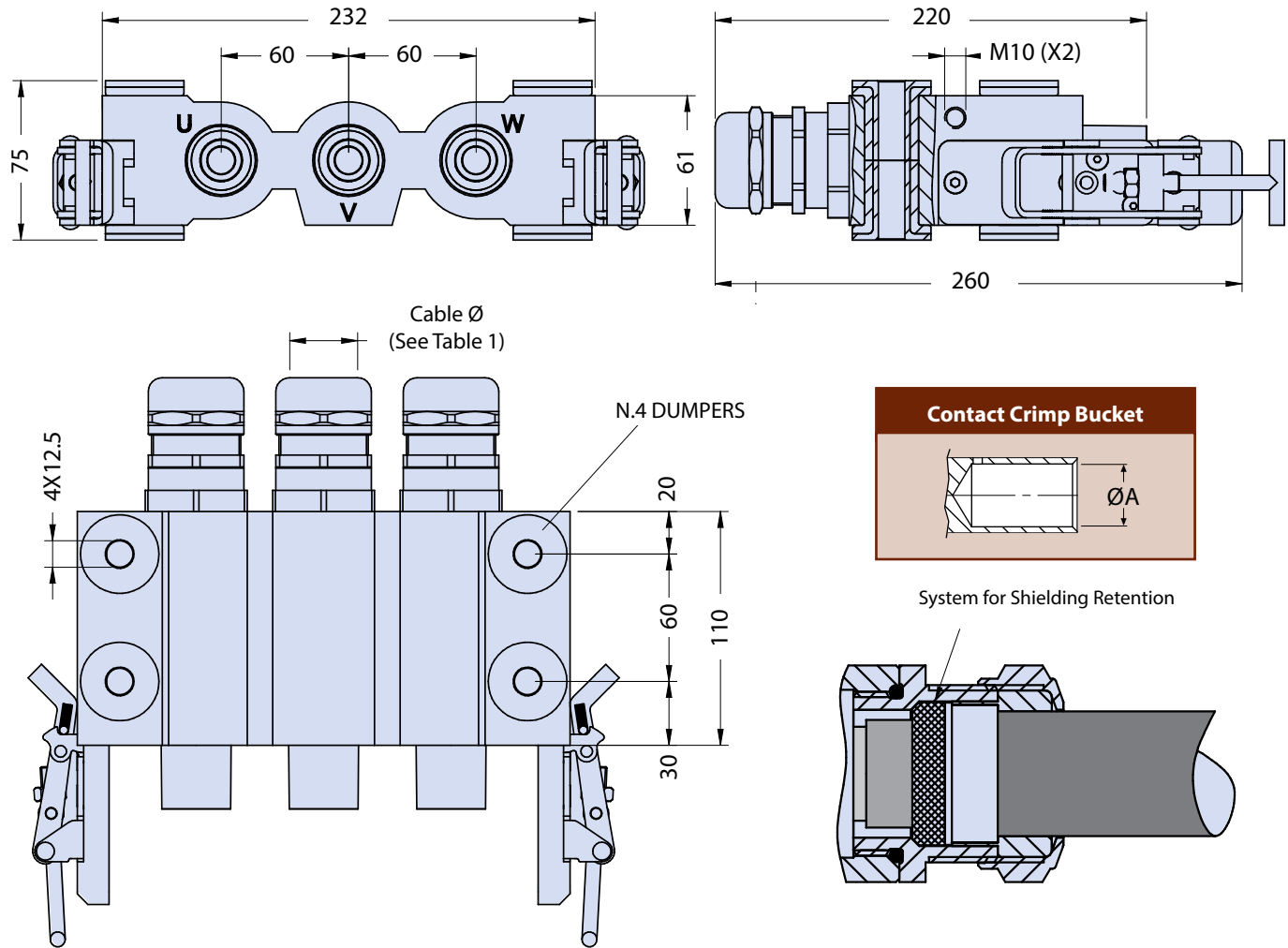
Modification
Omitted (for Standard)
B0 (Connector Less Contacts)



Application Notes

- Receptacle with screen EMC gland and dumpers, for bogie applications. RoHs compliant.
- Working voltage: 3000 Vac.
- Test voltage: 12000 Vac.
- Water proof: IP67 level (coupled connectors).
- Contact resistance: 0.3 mΩ max.
- Temperature range: -55 to +125°C.
- Contact: copper alloy silver plating.
- Insulator: EN 45545-2 HL3 R22, R23; NFPA 130.
- Shell: Aluminium alloy with conductive black plating.
- Clearance in air: 26.8 mm Min.
- Creepage distance: 26.8 mm Min.

IRT Series
Rectangular Multi Pole Power Connector
 Receptacle Shell Size 04
 Assembly for Screen EMC Gland



A

TABLE 1 - CONTACTS

Contact Type	Male Contact P/N	Female Contact P/N	Crimp Bucket - A - (mm)	Cable Section (AWG)	Cable Section (mmq)	Cable Diameter (mmq)		Working Current (A) *	Max Current (A) *
						Min	Max		
4	IRT-4-P-1780G10	IRT-4-S-1780G10	17.8	26MCM	120	11	21	450	520
4A	IRT-4-P-1650G10	IRT-4-S-1650G10	16.5	4/0	107	11	21	350	450
4B	IRT-4-P-1440G10	IRT-4-S-1440G10	14.4	3/0	95	11	21	320	400
4C	IRT-4-P-1440G10	IRT-4-S-1440G10	14.4	2/0	70	11	21	250	300
4D	IRT-4-P-1150G10	IRT-4-S-1150G10	11.5	1/0	50	10	17	150	250

* Related to cables section



IRT Series Rectangular Multi Pole Power Connector Plug Shell Size 04 Assembly for Screen EMC Gland

Series IRT Multi Pole Power Connector

Shell Style
P (Plug)

Number of
Contacts 3

Contact Gender
P - Male
S - Female

Backend
Screen EMC Gland (S)

IRT

04

P

- 3

5

S

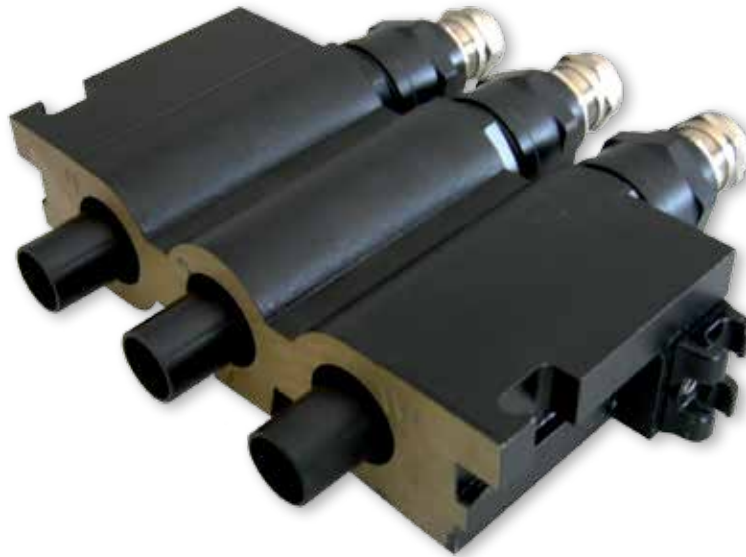
S

XX

Connector Shell Size
04 (3 Contacts Double
Lever System)

Contact Type
Different types can be used:
4 ; 4A ; 4B : All Same Contact Type
Example 2(4)-1(4A) Different Contact Types
(See Table 1)

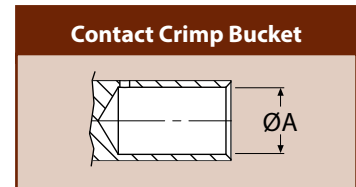
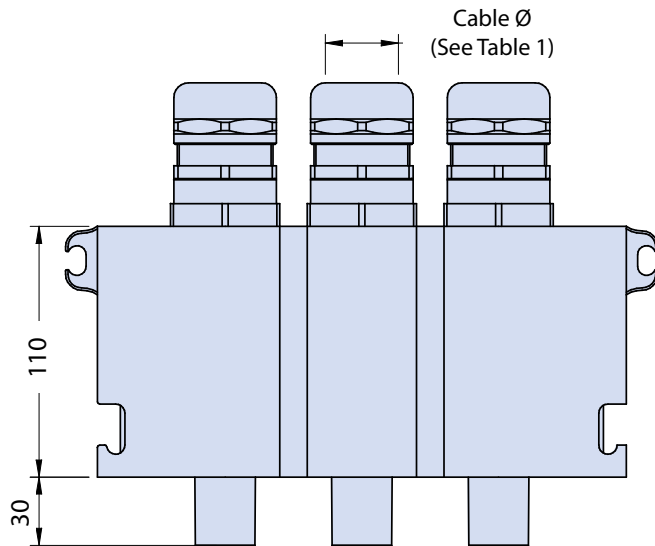
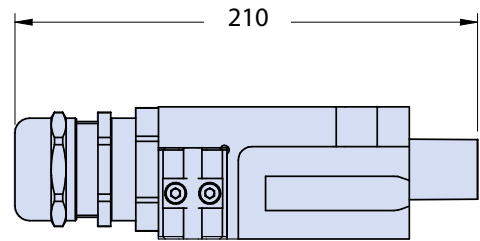
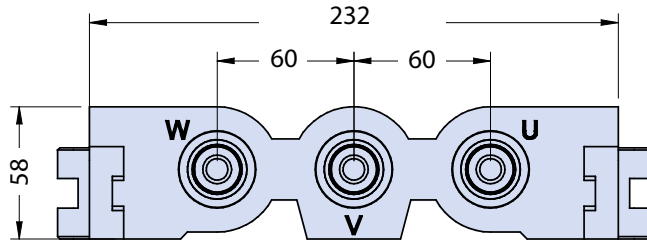
Modification
Omitted (for Standard)
B0 (Connector Less Contacts)



Application Notes

- Plug with screen EMC gland. RoHs compliant.
- Working voltage: 3000 Vac.
- Test voltage: 12000 Vac.
- Water proof: IP67 level (coupled connectors).
- Contact resistance: 0.3 mΩ max.
- Temperature range: -55 to +125°C.
- Contact: copper alloy silver plating.
- Insulator: EN 45545-2 HL3 R22, R23; NFPA 130.
- Shell: Aluminium alloy with conductive black plating.
- Clearance in air: 26.8 mm Min.
- Creepage distance: 26.8 mm Min.

IRT Series
Rectangular Multi Pole Power Connector
Plug Shell Size 04
Assembly for Screen EMC Gland



System for Shielding Retention

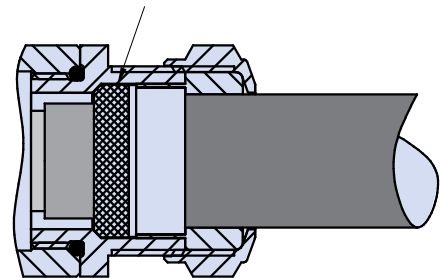


TABLE 1 - CONTACTS

Contact Type	Male Contact P/N	Female Contact P/N	Crimp Bucket - A - (mm)	Cable Section (AWG)	Cable Section (mmq)	Cable Diameter (mmq)		Working Current (A) *	Max Current (A) *
						Min	Max		
4	IRT-4-P-1780G10	IRT-4-S-1780G10	17.8	26MCM	120	11	21	450	520
4A	IRT-4-P-1650G10	IRT-4-S-1650G10	16.5	4/0	107	11	21	350	450
4B	IRT-4-P-1440G10	IRT-4-S-1440G10	14.4	3/0	95	11	21	320	400
4C	IRT-4-P-1440G10	IRT-4-S-1440G10	14.4	2/0	70	11	21	250	300
4D	IRT-4-P-1150G10	IRT-4-S-1150G10	11.5	1/0	50	10	17	150	250

* Related to cables section



IRT Series Rectangular Multi Pole Power Connector Receptacle Shell Size 05 Assembly for Metallic Gland

Series IRT Multi Pole
Power Connector

Shell Style
R (Receptacle)

Number of
Contacts 4

Contact Gender
P - Male
S - Female

Backend
Metallic Gland (M)

IRT

05

R

- 4

5

P

M

XX

Connector Shell Size
05 (4 Contacts
Lever System)

Contact Type
Different types can be used:
5 ; 5A ; 5B ... : All Same Contact Type
Example 3(5)-1(5A) Different Contact Types
(See Table 1)

Modification
Omitted (for Standard)
B0 (Connector Less Contacts)



Application Notes

- Receptacle with metallic gland. RoHs compliant.
- Working voltage: 1500 Vac.
- Test voltage: 4500 Vac.
- Water proof: IP67 level (coupled connectors).
- Contact resistance: 0.3 mΩ max.
- Temperature range: -55 to +125°C.
- Contact: copper alloy silver plating.
- Insulator: EN 45545-2 HL3 R22, R23; NFPA 130.
- Shell: Aluminium alloy with electrodeposited black plating.
- Clearance in air: 26.8 mm Min.
- Creepage distance: 26.8 mm Min.

IRT Series
Rectangular Multi Pole Power Connector
 Receptacle Shell Size 05
 Assembly for Metallic Gland

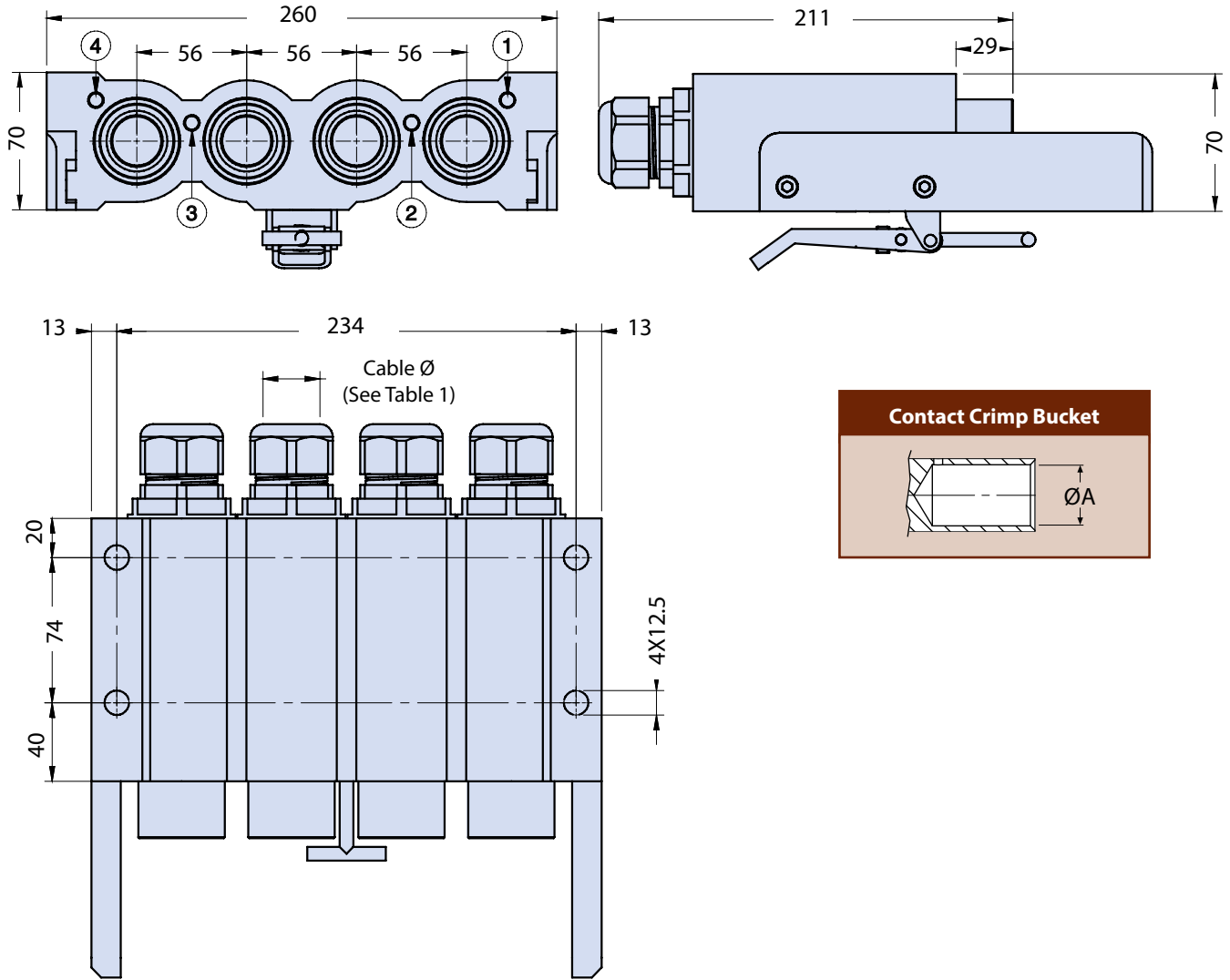


TABLE 1 - CONTACTS

Contact Type	Male Contact P/N	Female Contact P/N	Crimp Bucket - A - (mm)	Cable Section (AWG)	Cable Section (mmq)	Cable Diameter (mmq)		Working Current (A) *	Max Current (A) *
						Min	Max		
5	IRT-5-P-2200G10	IRT-5-S-2200G10	22	373MCM	185	28	32	550	600
5A	IRT-5-P-2090G10	IRT-5-S-2090G10	20.9	313MCM	150	24	28	500	550
5B	IRT-5-P-1780G10	IRT-5-S-1780G10	17.8	262MCM	120	16	19	450	520
5C	IRT-5-P-1550G10	IRT-5-S-1550G10	15.5	3/0	95	13	16	320	400
5D	IRT-5-P-900G10	IRT-5-S-900G10	9	2	35	8	11	120	150

* Related to cables section



IRT Series Rectangular Multi Pole Power Connector Plug Shell Size 05 Assembly for Metallic Gland

Series IRT Multi Pole
Power Connector

Shell Style
P (Plug)

Number of
Contacts 4

Contact Gender
P - Male
S - Female

Backend
Metallic Gland (M)

IRT

05

P

- 4

5

S

M

XX

Connector Shell Size
05 (4 Contacts
Lever System)

Contact Type
Different types can be used:
5 ; 5A ; 5B ... : All Same Contact Type
Example 3(5)-1(5A) Different Contact Types
(See Table 1)

Modification
Omitted (for Standard)
B0 (Connector Less Contacts)



Application Notes

- Plug with metallic gland. RoHs compliant.
- Working voltage: 1500 Vac.
- Test voltage: 4500 Vac.
- Water proof: IP67 level (coupled connectors).
- Contact resistance: 0.3 mΩ max.
- Temperature range: -55 to +125°C.
- Contact: copper alloy silver plating.
- Insulator: EN 45545-2 HL3 R22, R23; NFPA 130.
- Shell: Aluminium alloy with electrodeposited black plating.
- Clearance in air: 26.8 mm Min.
- Creepage distance: 26.8 mm Min.

IRT Series
Rectangular Multi Pole Power Connector
Plug Shell Size 05
Assembly for Metallic Gland

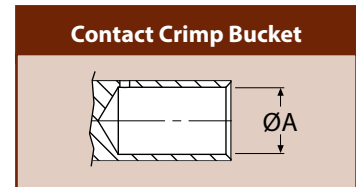
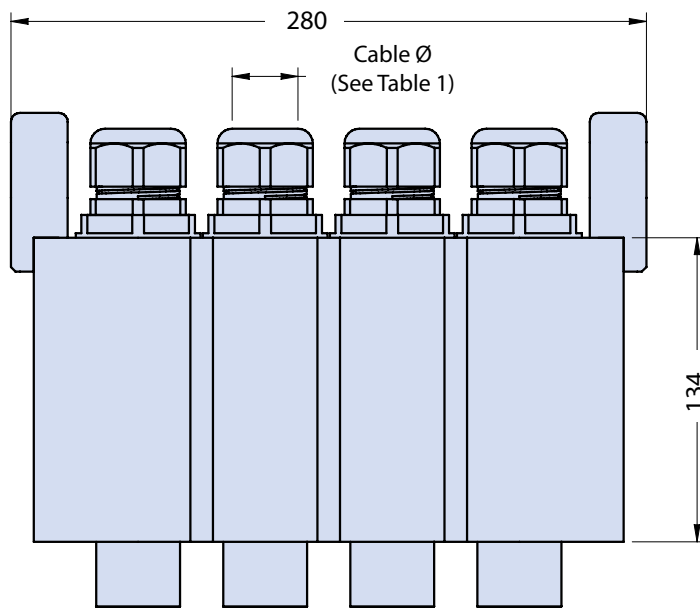
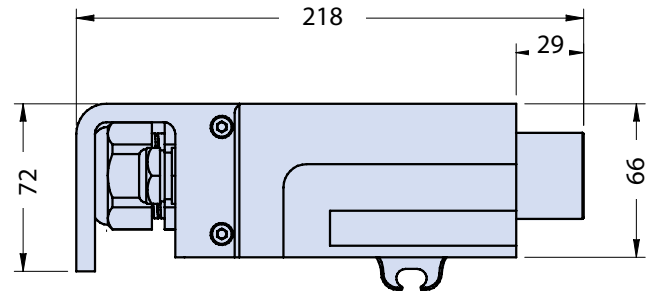
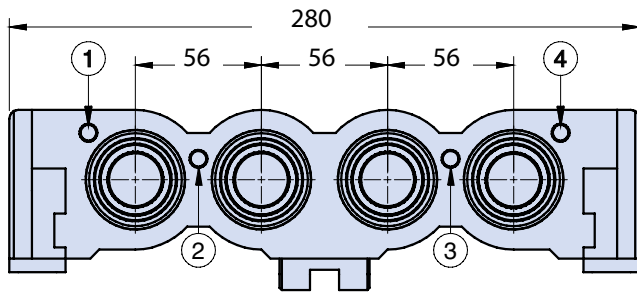


TABLE 1 - CONTACTS

Contact Type	Male Contact P/N	Female Contact P/N	Crimp Bucket - A - (mm)	Cable Section (AWG)	Cable Section (mmq)	Cable Diameter (mmq)		Working Current (A) *	Max Current (A) *
						Min	Max		
5	IRT-5-P-2200G10	IRT-5-S-2200G10	22	373MCM	185	28	32	550	600
5A	IRT-5-P-2090G10	IRT-5-S-2090G10	20.9	313MCM	150	24	28	500	550
5B	IRT-5-P-1780G10	IRT-5-S-1780G10	17.8	262MCM	120	16	19	450	520
5C	IRT-5-P-1550G10	IRT-5-S-1550G10	15.5	3/0	95	13	16	320	400
5D	IRT-5-P-900G10	IRT-5-S-900G10	9	2	35	8	11	120	150

* Related to cables section



IRT Series Rectangular Multi Pole Power Connector Receptacle Shell Size 05 Assembly for Clamp with Strain Relief

Series IRT Multi Pole Power Connector

Shell Style
R (Receptacle)

Number of Contacts
4

Contact Gender
P - Male
S - Female

Backend
Clamp with Strain Relief (E)

IRT

05

R

- 4

5

P

E

XX

Connector Shell Size
05 (4 Contacts Lever System)

Contact Type
Different types can be used:
5 ; 5A ; 5B ... : All Same Contact Type
Example 3(5)-1(5A) Different Contact Types (See Table 1)

Modification
Omitted (for Standard)
B0 (Connector Less Contacts)



Application Notes

- Receptacle with clamp with strain relief. RoHs compliant.
- Working voltage: 1500 Vac.
- Test voltage: 4500 Vac.
- Water proof: IP67 level (coupled connectors).
- Contact resistance: 0.3 mΩ max.
- Temperature range: -55 to +125°C.
- Contact: copper alloy silver plating.
- Insulator: EN 45545-2 HL3 R22, R23; NFPA 130.
- Shell: Aluminium alloy with electrodeposited black plating.
- Clearance in air: 26.8 mm Min.
- Creepage distance: 26.8 mm Min.



IRT Series Rectangular Multi Pole Power Connector Plug Shell Size 05 Assembly for Clamp with Strain Relief

Series IRT Multi Pole
Power Connector

Shell Style
P (Plug)

Number of
Contacts 4

Contact Gender
P - Male
S - Female

Backend
Clamp with Strain
Relief (E)

IRT

05

P

- 4

5

S

E

XX

Connector Shell Size
05 (4 Contacts
Lever System)

Contact Type
Different types can be used:
5 ; 5A ; 5B ... : All Same Contact Type
Example 3(5)-1(5A) Different Contact Types
(See Table 1)

Modification
Omitted (for Standard)
B0 (Connector Less Contacts)



Application Notes

- Plug with clamp with strain relief. RoHs compliant.
- Working voltage: 1500 Vac.
- Test voltage: 4500 Vac.
- Water proof: IP67 level (coupled connectors).
- Contact resistance: 0.3 mΩ max.
- Temperature range: -55 to +125°C.
- Contact: copper alloy silver plating.
- Insulator: EN 45545-2 HL3 R22, R23; NFPA 130.
- Shell: Aluminium alloy with electrodeposited black plating.
- Clearance in air: 26.8 mm Min.
- Creepage distance: 26.8 mm Min.

IRT Series
Rectangular Multi Pole Power Connector
 Receptacle Shell Size 05
 Assembly for Clamp with Strain Relief

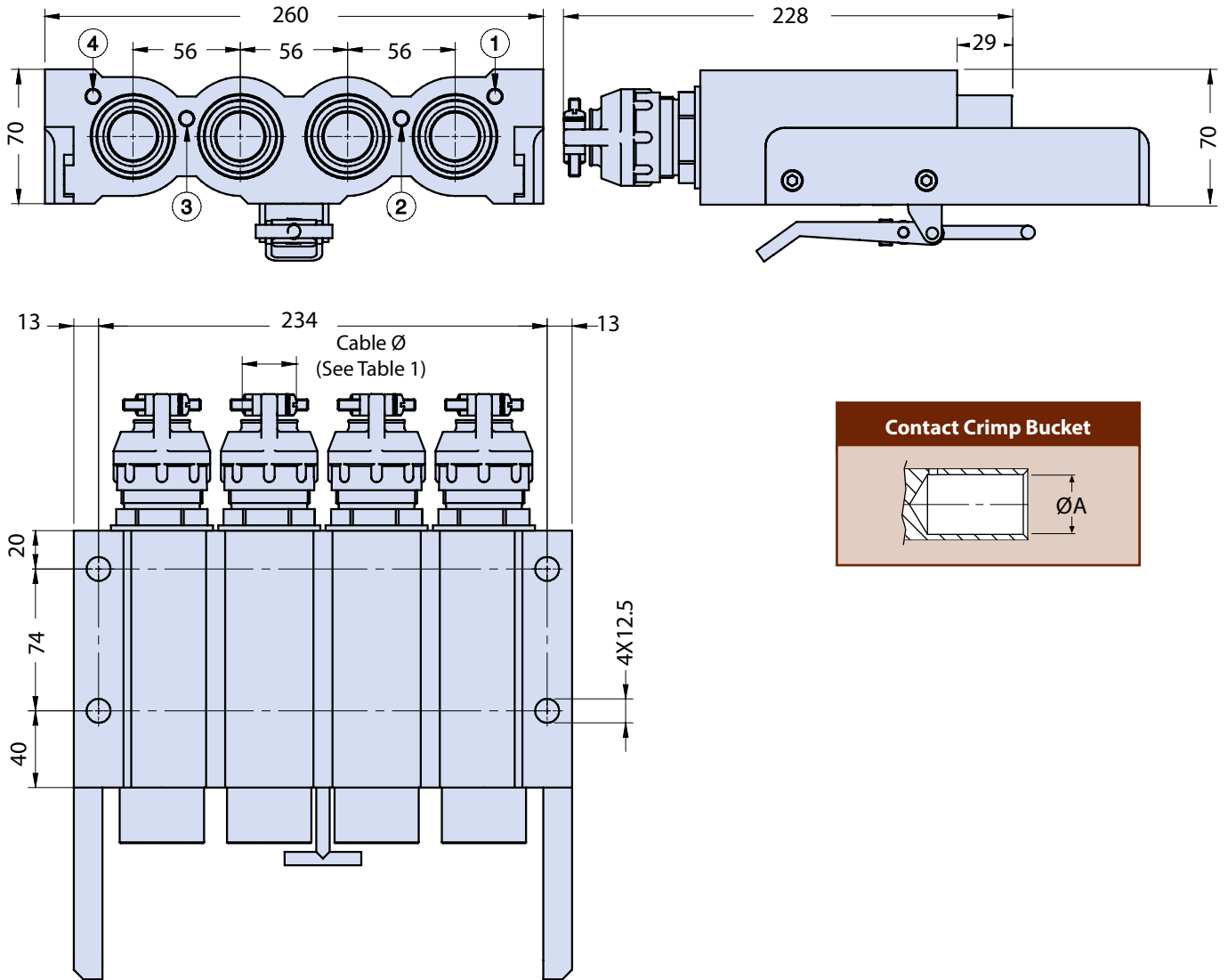


TABLE 1 - CONTACTS

Contact Type	Male Contact P/N	Female Contact P/N	Crimp Bucket - A - (mm)	Cable Section (AWG)	Cable Section (mmq)	Cable Diameter (mmq)		Working Current (A) *	Max Current (A) *
						Min	Max		
5	IRT-5-P-2200G10	IRT-5-S-2200G10	22	373MCM	185	28	32	550	600
5A	IRT-5-P-2090G10	IRT-5-S-2090G10	20.9	313MCM	150	24	28	500	550
5B	IRT-5-P-1780G10	IRT-5-S-1780G10	17.8	262MCM	120	16	19	450	520
5C	IRT-5-P-1550G10	IRT-5-S-1550G10	15.5	3/0	95	13	16	320	400
5D	IRT-5-P-900G10	IRT-5-S-900G10	9	2	35	8	11	120	150

* Related to cables section

IRT Series
Rectangular Multi Pole Power Connector
Plug Shell Size 05
Assembly for Clamp with Strain Relief

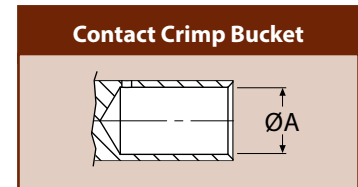
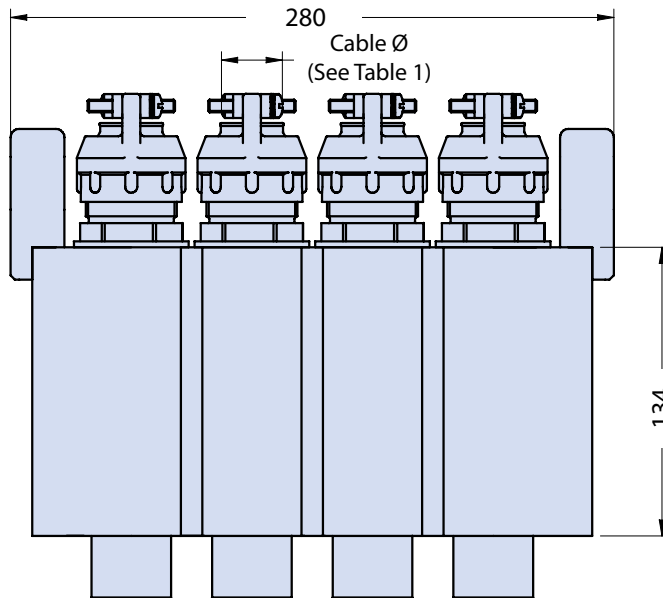
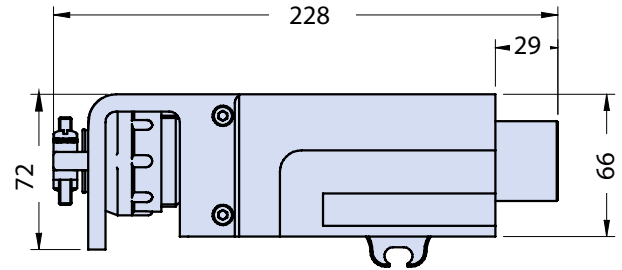
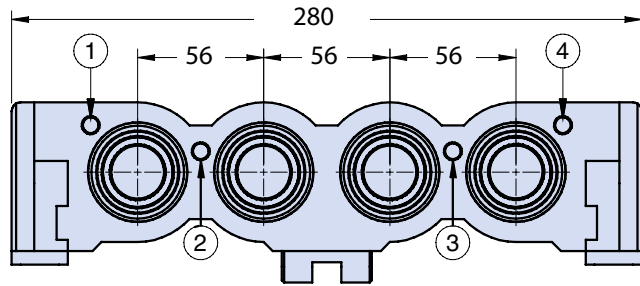


TABLE 1 - CONTACTS

Contact Type	Male Contact P/N	Female Contact P/N	Crimp Bucket - A - (mm)	Cable Section (AWG)	Cable Section (mmq)	Cable Diameter (mmq)		Working Current (A) *	Max Current (A) *
						Min	Max		
5	IRT-5-P-2200G10	IRT-5-S-2200G10	22	373MCM	185	28	32	550	600
5A	IRT-5-P-2090G10	IRT-5-S-2090G10	20.9	313MCM	150	24	28	500	550
5B	IRT-5-P-1780G10	IRT-5-S-1780G10	17.8	262MCM	120	16	19	450	520
5C	IRT-5-P-1550G10	IRT-5-S-1550G10	15.5	3/0	95	13	16	320	400
5D	IRT-5-P-900G10	IRT-5-S-900G10	9	2	35	8	11	120	150

* Related to cables section



IRT Series Rectangular Multi Pole Power Connector Receptacle Shell Size 05 Assembly for Screen EMC Gland

Series IRT Multi Pole
Power Connector

Shell Style
R (Receptacle)

Number of
Contacts 4

Contact Gender
P - Male
S - Female

Backend
Screen EMC Gland (S)

IRT

05

R

- 4

5

P

S

XX

Connector Shell Size
05 (4 Contacts
Lever System)

Contact Type
Different types can be used:
4 ; 4A ; 4B : All Same Contact Type
Example 2(4)-1(4A) Different Contact Types
(See Table 1)

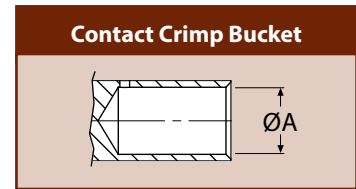
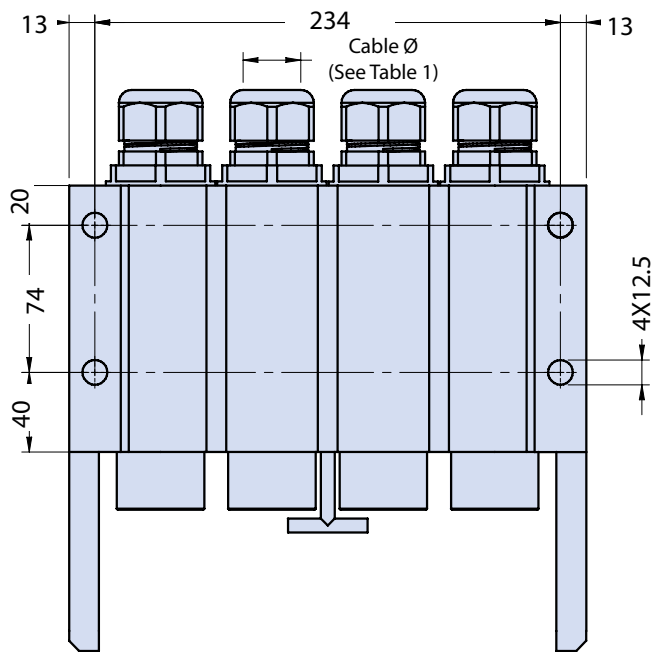
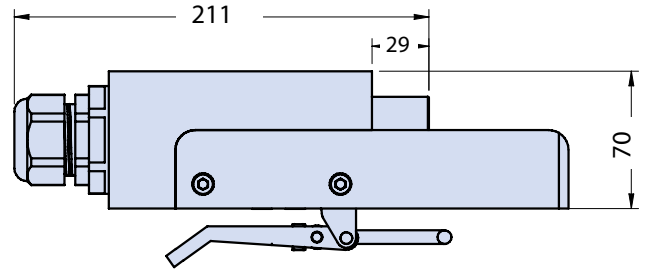
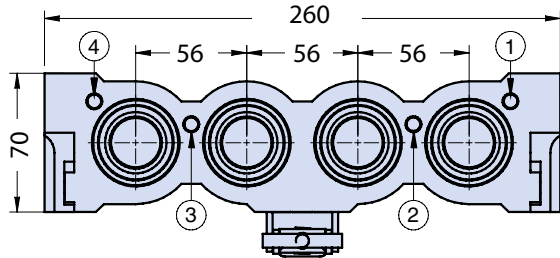
Modification
Omitted (for Standard)
B0 (Connector Less Contacts)



Application Notes

- Receptacle with screen EMC gland. RoHs compliant.
- Working voltage: 1500 Vac.
- Test voltage: 4500 Vac.
- Water proof: IP67 level (coupled connectors).
- Contact resistance: 0.3 mΩ max.
- Temperature range: -55 to +125°C.
- Contact: copper alloy silver plating.
- Insulator: EN 45545-2 HL3 R22, R23; NFPA 130.
- Shell: Aluminium alloy with conductive black plating.
- Clearance in air: 26.8 mm Min.
- Creepage distance: 26.8 mm Min.

IRT Series
Rectangular Multi Pole Power Connector
 Receptacle Shell Size 05
 Assembly for Screen EMC Gland



System for Shielding Retention

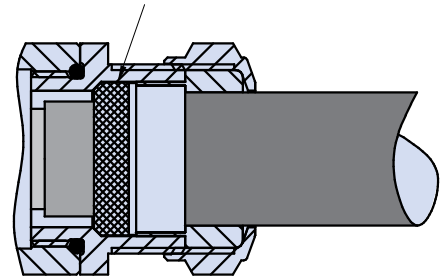


TABLE 1 - CONTACTS

Contact Type	Male Contact P/N	Female Contact P/N	Crimp Bucket - A - (mm)	Cable Section (AWG)	Cable Section (mmq)	Cable Diameter (mmq)		Working Current (A) *	Max Current (A) *
						Min	Max		
5	IRT-5-P-2200G10	IRT-5-S-2200G10	22	373MCM	185	28	32	550	600
5A	IRT-5-P-2090G10	IRT-5-S-2090G10	20.9	313MCM	150	24	28	500	550
5B	IRT-5-P-1780G10	IRT-5-S-1780G10	17.8	262MCM	120	16	19	450	520
5C	IRT-5-P-1550G10	IRT-5-S-1550G10	15.5	3/0	95	13	16	320	400
5D	IRT-5-P-900G10	IRT-5-S-900G10	9	2	35	8	11	120	150

* Related to cables section



IRT Series

Rectangular Multi Pole Power Connector

Plug Shell Size 05

Assembly for Screen EMC Gland

Series IRT Multi Pole Power Connector

Shell Style
P (Plug)

Number of
Contacts 4

Contact Gender
P - Male
S - Female

Backend
Screen EMC Gland (S)

IRT

05

P

- 4

5

S

S

XX

Connector Shell Size
05 (4 Contacts
Lever System)

Contact Type
Different types can be used:
5 ; 5A ; 5B ... : All Same Contact Type
Example 3(5)-1(5A) Different Contact Types
(See Table 1)

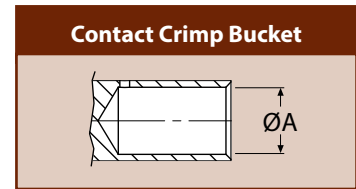
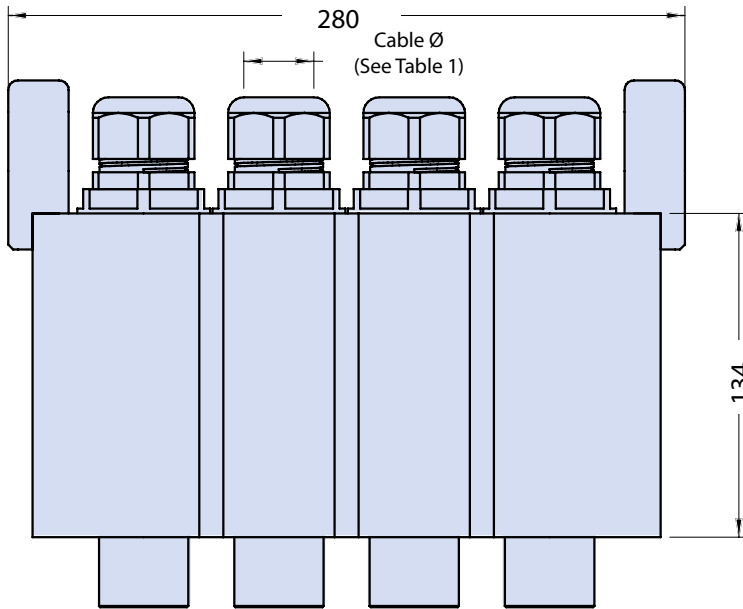
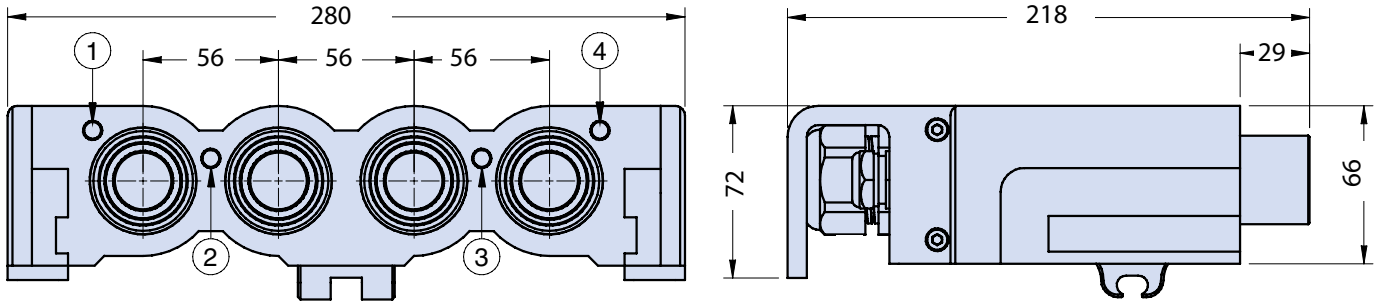
Modification
Omitted (for Standard)
B0 (Connector Less Contacts)



Application Notes

- Plug with screen EMC gland. RoHs compliant.
- Working voltage: 1500 Vac.
- Test voltage: 4500 Vac.
- Water proof: IP67 level (coupled connectors).
- Contact resistance: 0.3 mΩ max.
- Temperature range: -55 to +125°C.
- Contact: copper alloy silver plating.
- Insulator: EN 45545-2 HL3 R22, R23; NFPA 130.
- Shell: Aluminium alloy with conductive black plating.
- Clearance in air: 26.8 mm Min.
- Creepage distance: 26.8 mm Min.

IRT Series
Rectangular Multi Pole Power Connector
Plug Shell Size 05
Assembly for Screen EMC Gland



System for Shielding Retention

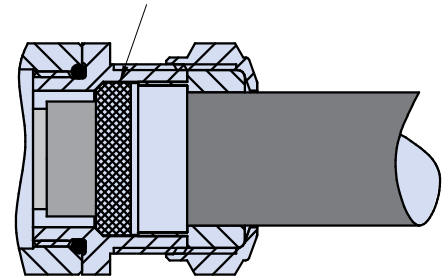


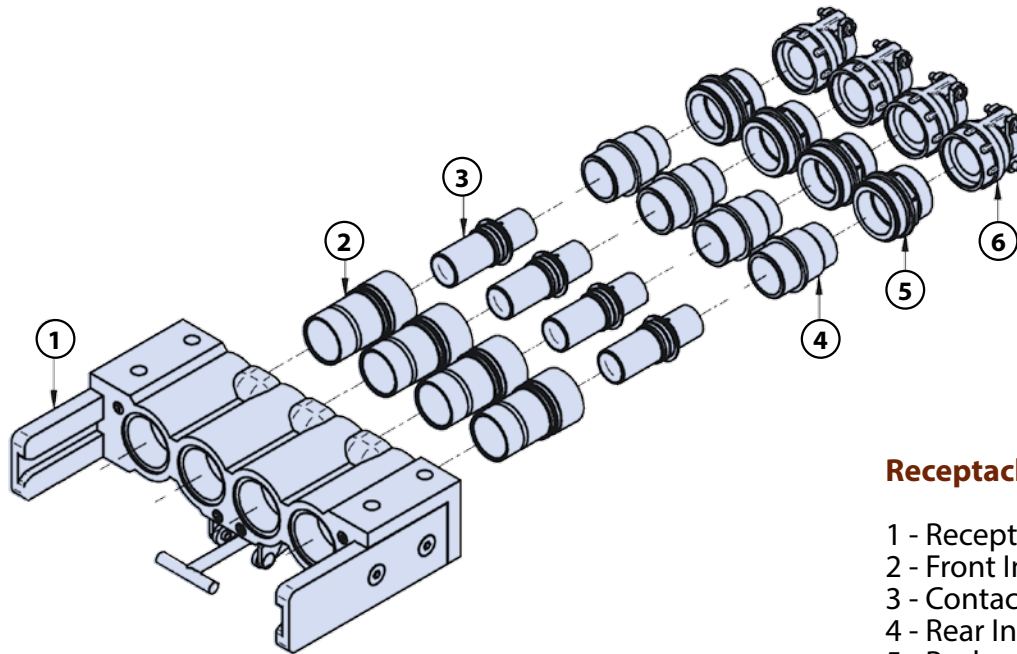
TABLE 1 - CONTACTS

Contact Type	Male Contact P/N	Female Contact P/N	Crimp Bucket - A - (mm)	Cable Section (AWG)	Cable Section (mmq)	Cable Diameter (mmq)		Working Current (A) *	Max Current (A) *
						Min	Max		
5	IRT-5-P-2200G10	IRT-5-S-2200G10	22	373MCM	185	28	32	550	600
5A	IRT-5-P-2090G10	IRT-5-S-2090G10	20.9	313MCM	150	24	28	500	550
5B	IRT-5-P-1780G10	IRT-5-S-1780G10	17.8	262MCM	120	16	19	450	520
5C	IRT-5-P-1550G10	IRT-5-S-1550G10	15.5	3/0	95	13	16	320	400
5D	IRT-5-P-900G10	IRT-5-S-900G10	9	2	35	8	11	120	150

* Related to cables section

Wiring Instructions - Receptacle Connector - Example: Size 03

Valid for all kinds
of backends



Valid for all sizes

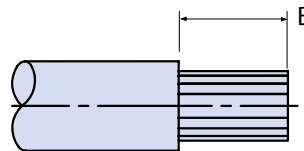
Receptacle Connector

- 1 - Receptacle Shell
- 2 - Front Insert
- 3 - Contact
- 4 - Rear Insert
- 5 - Backend Adapter
- 6 - Clamp

Step 1

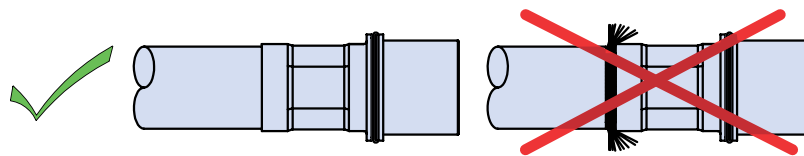
TABLE 2

Contact Type	B (mm)
1	20.0
2	20.0
3	20.0
4	21.0
5	29.0



Cut and strip the cable (See TABLE 2).

Step 2

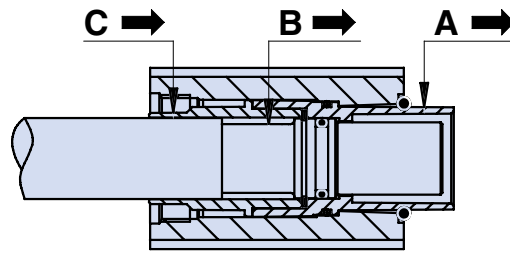


Crimp contacts (3) on conductors.

IRT Series
Rectangular Multi Pole Power Connector
Wiring Instructions - Receptacle Connector - Example: Size 03

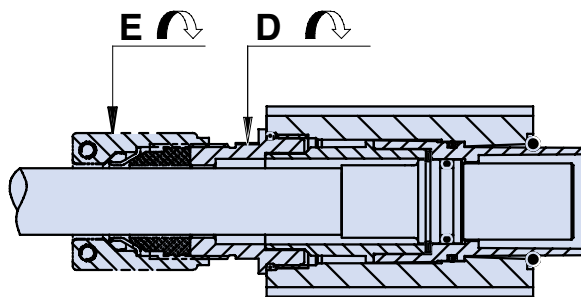


Step 3



Put the front insert (2) into the body. Insert the contact (3) crimped into the front insert (2). Install the rear insert (4).

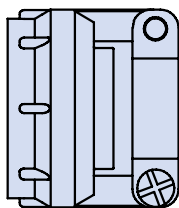
Step 4



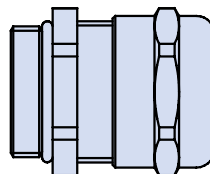
Tightening Torque	
Size	Value (Nm Max)
1	30.0
2 - 3	30.0
4	35.0
5	35.0

Screw the backend onto the rear of the receptacle and tighten.

Step 5



Tightening Torque	
Size	Value (Nm Max)
1	9.0
2 - 3	9.0
4 - 5	13.0



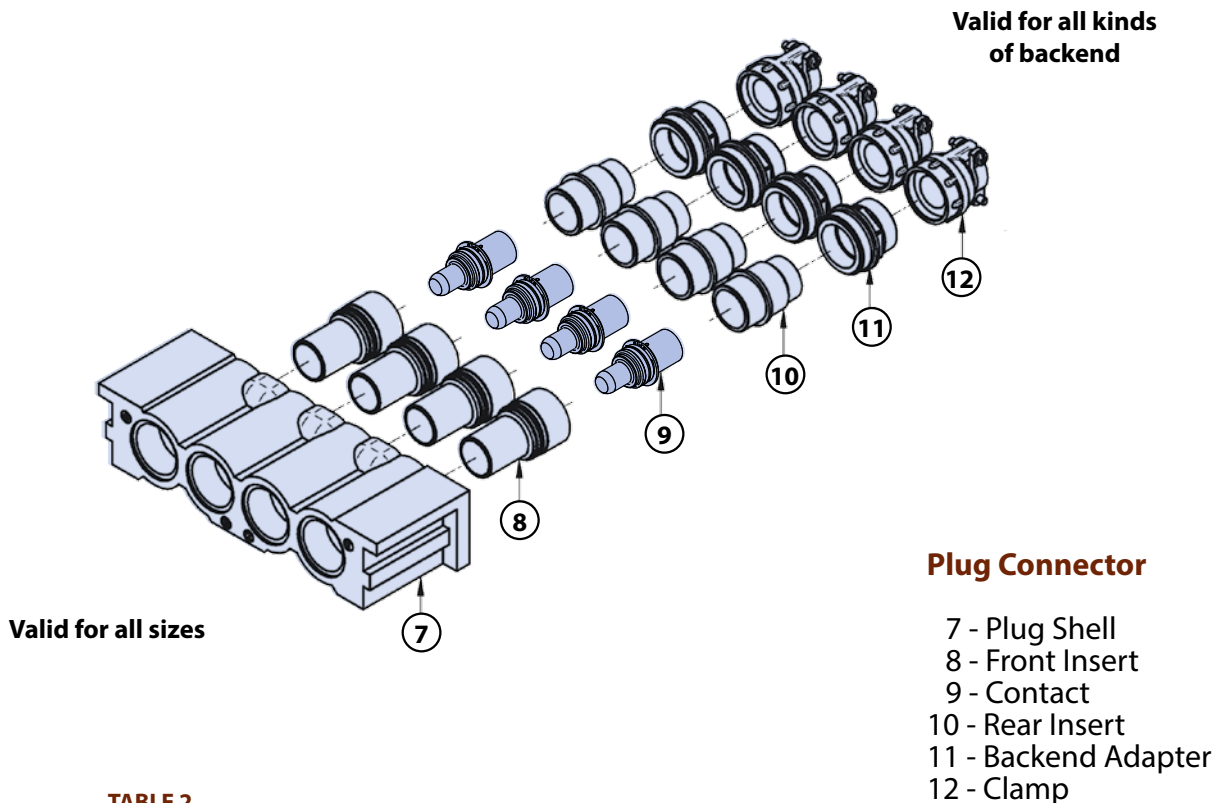
Tightening Torque	
Size	Value (Nm Max)
1	8.0
2 - 3	8.0
4 - 5	18.0

Screw the clamp onto the backend and tighten.

Electrical Test: Insulation resistance 5000 Mohm (Min).
 Test Voltage: 3000 Vac according with the arrangement.

Wiring Instructions - Plug Connector - Example: Size 03

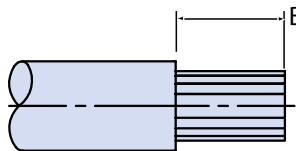
A



Step 1

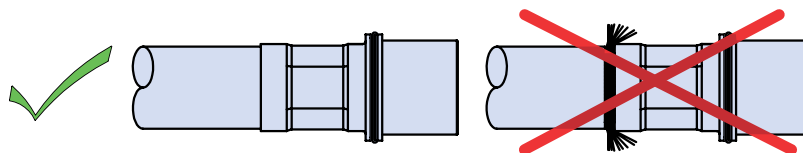
TABLE 2

Contact Type	B (mm)
1	20.0
2	20.0
3	20.0
4	21.0
5	29.0



Cut and strip the cable (See TABLE 2).

Step 2

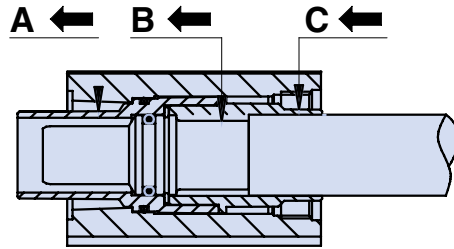


Crimp contacts (3) on conductors.

IRT Series
Rectangular Multi Pole Power Connector
Wiring Instructions - Plug Connector - Example: Size 03

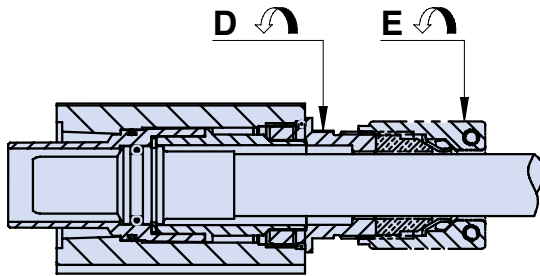


Step 3



Put the front insert (8) into the body. Insert the contact (9) crimped into the front insert (8). Install the rear insert (10).

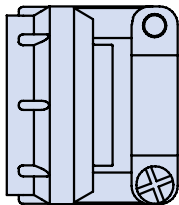
Step 4



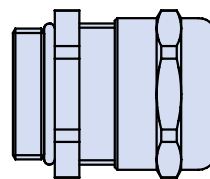
Tightening Torque	
Size	Value (Nm Max)
1	30.0
2 - 3	30.0
4	35.0
5	35.0

Screw the backend onto the rear of the receptacle and tighten.

Step 5



Tightening Torque	
Size	Value (Nm Max)
1	9.0
2 - 3	9.0
4 - 5	13.0



Tightening Torque	
Size	Value (Nm Max)
1	8.0
2 - 3	8.0
4 - 5	18.0

Screw the clamp onto the backend and tighten.

Electrical Test: Insulation resistance 5000 Mohm (Min).

Test Voltage: 3000 Vac according with the arrangement.

Crimping Table and Tools

Contact Type	Male Contact P/N	Female Contact P/N	Crimp Bucket - A - (mm)	Cable Section (AWG)	Cable Section (mm ²)	Die	Crimping Tools	Tensile Strength (N)
1	IRT-1-P-620G10	IRT-1-S-620G10	6.2	4	25	M112100	M112004	1500
2	IRT-2-P-1070G10	IRT-2-S-1070G10	10.7	1/0	50	M112007	M112004	2500
3	IRT-3-P-1650G10	IRT-3-S-1650G10	16.5	4/0	107	M112012	M105013	4200
3A	IRT-3-P-1440G10	IRT-3-S-1440G10	14.4	2/0	70	M105253	M105013	3300
3B	IRT-3-P-1440G10	IRT-3-S-1440G10	14.4	3/0	95	M105016	M105013	3700
4	IRT-4-P-1780G10	IRT-4-S-1780G10	17.8	262MCM	120	M112018	M105013	4200
4A	IRT-4-P-1650G10	IRT-4-S-1650G10	16.5	4/0	107	M112012	M105013	4200
4B	IRT-4-P-1440G10	IRT-4-S-1440G10	14.4	3/0	95	M105056	M105013	3700
4C	IRT-4-P-1440G10	IRT-4-S-1440G10	14.4	2/0	70	M105253	M105013	3300
4D	IRT-4-P-1150G10	IRT-4-S-1150G10	11.5	1/0	50	M112007	M112004	2500
5	IRT-5-P-2200G10	IRT-5-S-2200G10	22.0	373MCM	185	M105035	M105013	5600
5A	IRT-5-P-2090G10	IRT-5-S-2090G10	20.9	313MCM	150	M112012	M105013	4800
5B	IRT-5-P-1780G10	IRT-5-S-1780G10	17.8	262MCM	120	M112012	M105013	4200
5C	IRT-5-P-1550G10	IRT-5-S-1550G10	15.5	3/0	95	M105016	M105013	3700
5D	IRT-5-P-900G10	IRT-5-S-900G10	9.0	2	35	M112007	M112004	2200



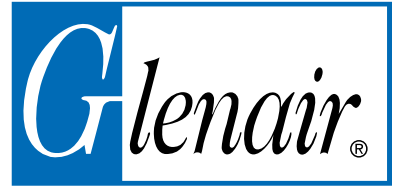
Oleodynamic
Crimp Tool



Die for Oleodynamic
Crimp Tool

For further Crimping steps details, please contact the factory.

**IRT Series
Rectangular Multi Pole Power Connector
WARNINGS**



WARNING

FAILURE TO FOLLOW THESE INSTRUCTIONS MAY RESULT IN DAMAGE TO EQUIPMENT, SERIOUS PERSONAL INJURY OR EVEN DEATH.

It is the user's responsibility to ensure these products are used safely. Glenair, Inc., including all Glenair, Inc. subsidiaries, is NOT responsible for damage to equipment, personal injury or death from use of Glenair, Inc. products.

Only qualified electrical technicians should use interconnection products in high voltage and other electrical conditions.

Interconnection products must be clean and dry when installed. Mating and de-mating should never occur under load.

Damaged interconnection products must be replaced immediately by a trained electrical technician.

Glenair, Inc. reserves the right to modify this Warning, any other warning, all catalogs, glenair.com website, and any other technical information with or without notice.

For further information and technical assistance, please contact your local Glenair Sales Office or see our website: **www.glenair.com**



ITS 901 Series Reverse Bayonet Multi Pole Power Connector Introduction

Glenair is a primary supplier of Interconnect components and systems for Trains for Regional Service (TSR) in Italy. Designed and manufactured in cooperation with AnsaldoBreda and Keller, TSRs are double-deck Electric Multiple Unit trains with distributed power, consisting of two MCH motor coaches with driver's cabs and one or more intermediate motor coaches.

The traction unit's composition can be varied



The TSR Train cars manufactured in cooperation by AnsaldoBreda and Keller.

from 3 to 6 motor coaches to maintain constant performance. Two or more traction units can be coupled and remote controlled, up to 12 motor coaches. The installation of the train's furnishings allows easy modification of the seat layout, and the ability to substitute seats with a baggage compartment, folding seats, or lockers.

An IGBT traction inverter is installed in each motor coach. Each of these water-cooled inverters feeds two three-phase asynchronous motors. Furthermore, two static groups (3 kV DC/380 V AC 50 Hz) for auxiliary services, each equipped with a battery charger, are installed on the train. Every TSR is equipped with mechanical disc braking on each axle and regenerative electric braking, with reserve rheostat, on each motor axle.

SEPTA Explores Energy-saving Technologies

Southeastern Pennsylvania Transportation Authority (SEPTA) is exploring ways of saving million of dollars by taking advantage of the latest energy storage technologies. The project is focusing on Philadelphia's Market - Frankford subway line, where the fleet of M-4 trains is already equipped with regenerative braking. "Smart Grid" technology will allow SEPTA to capture and store braking energy in large-scale batteries. This recovered energy can then be reused on the network, improving power quality, or fed back to the grid to generate additional revenue for SEPTA.



The new SEPTA train manufactured for Amtrak.

This energy-saving technology is also expected to reduce carbon emission by 1250 tons per year. The joint project between Viridity Energy and SEPTA is being supported by a \$900,000.00 grant from the State of Pennsylvania. If the pilot is successful, the technology could be deployed elsewhere on all the SEPTA network—the Regional Rail Division that provides commuter rail service on thirteen branches to over 150 active stations in Philadelphia, Pennsylvania and its suburbs.

Glenair is one of the main suppliers of Interconnection Systems and Connectors for this advanced, energy saving train.

ITS 901 Series Reverse Bayonet Multi Pole Power Connector Technical Characteristics



ITS 901 Series is the extension of the ITS Reverse Bayonet connector family, for power cables over AWG 1/0. Suitable for harsh environmental conditions, 901 Series Connectors accept cable from AWG 4 to 262 MCM (35 - 120 mmq), for current up to 450 Amp.

Working voltage: 800 - 1000 Vac.

Available for single wires and multipole jacketed cables, with cable clamp or conduit.

Male contacts with Finger Test Protection, Load Side (Receptacle or Plug).

Long bayonet ramps, three polarization keys and rubber recovered coupling facilitate mating and unmating operations.

901 Series meet the most important rail requirements and specifications:

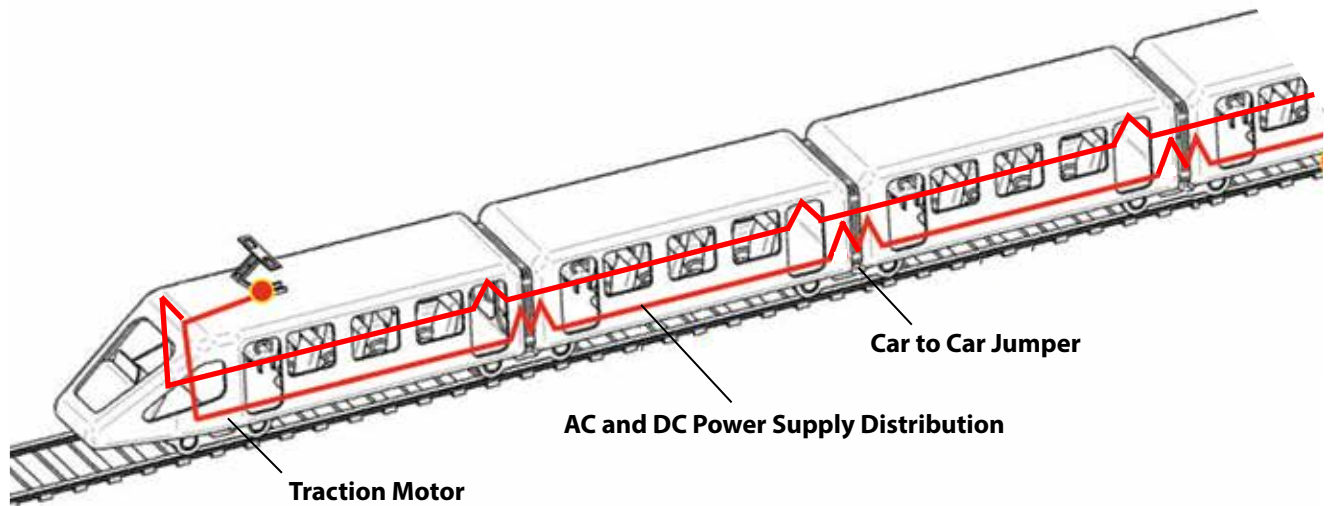
- Salt Spray Test Corrosion: 500 hours;
- 500 Mating Cycles;
- Shock and Vibrations for Under-Car and Car-To-Car Applications;
- IP67 Sealing (Coupled Connectors);
- Fire Resistant and RoHS Compliant Materials.



Plug Connector



Receptacle Connector





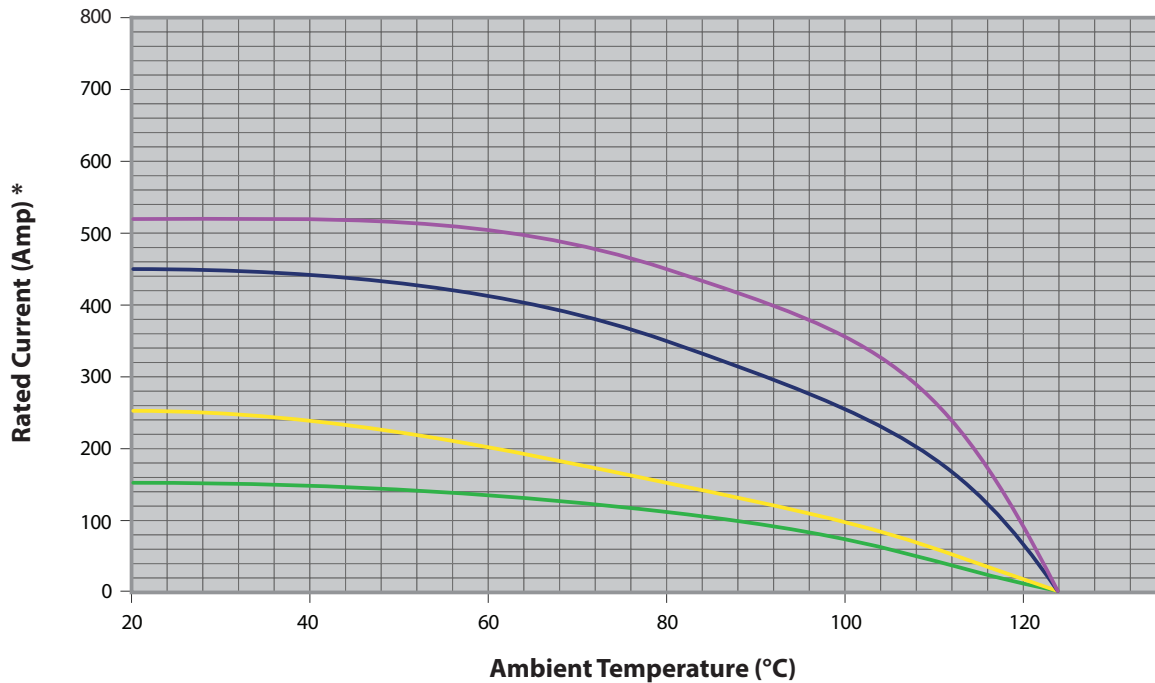
ITS 901 Series Reverse Bayonet Multi Pole Power Connector Technical Characteristics

Procedures Table

Description	Procedure
Electrical Characteristics	CEI EN 50124 and CEI EN 60077
Environmental Conditions	CEI EN 50125
Water Protection	CEI EN 60529
Shock and Vibration	CEI EN 61373
Corrosion Protection	VG 95210 - 2
Fire Protection	UNI CEI 11170 - 3
Mating Cycles	VG96929

B

Rated Current Graphic



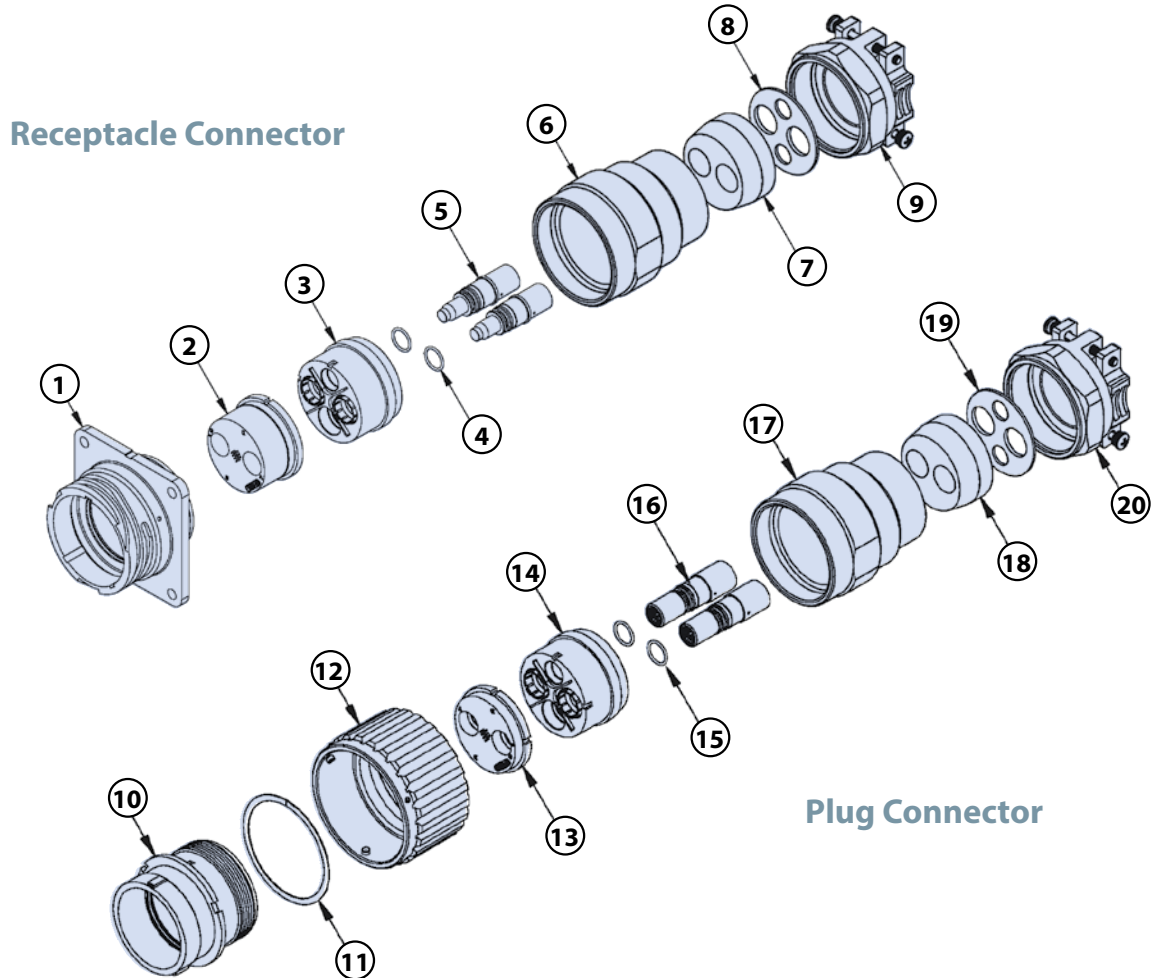
- Contact Type 1
- Contact Type 2
- Contact Type 3
- Contact Type 4

* According with Cables Section

ITS 901 Series
Reverse Bayonet Multi Pole Power Connector
Components Exploded View



IRT Series Components Exploded View



Receptacle Connector

Plug Connector

Receptacle Connector

- 1 - Receptacle shell
- 2 - Front Male Insert
- 3 - Back Insert Group
- 4 - O-Ring
- 5 - Pin Contacts
- 6 - Backshell
- 7 - Sealing Grommet
- 8 - Compression Ring
- 9 - Cable Clamp

Plug Connector

- 10 - Plugshell
- 11 - Washer
- 12 - Coupling Nut
- 13 - Front Insert
- 14 - Back Insert Group
- 15 - O-Ring
- 16 - Socket Contacts
- 17 - Backshell
- 18 - Sealing Grommet
- 19 - Compression Ring
- 20 - Cable Clamp

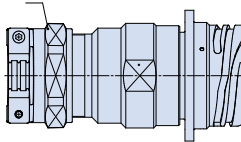
Available Configurations

Receptacle Connectors

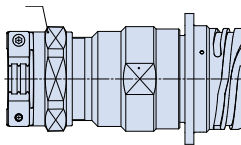
Weight: 850.0 gr

ITS 901 00

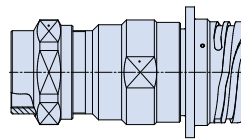
Front Mount



ITS 901 00 - 1



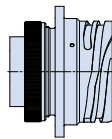
ITS 901 00 - 2



ITS 901 00 - 3

ITS 901 02

Rear Mount

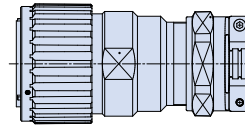


ITS 901 02

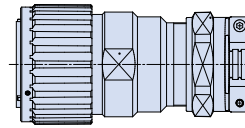
Plug Connectors

Weight: 850.0 gr

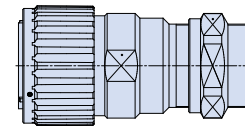
ITS 901 06



ITS 901 06 - 1

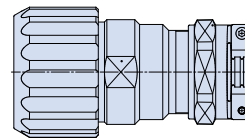


ITS 901 06 - 2

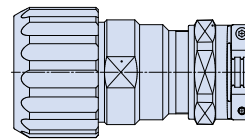


ITS 901 06 - 3

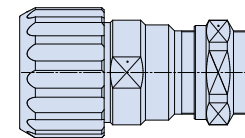
ITS 901 06G



ITS 901 06G - 1



ITS 901 06G - 2



ITS 901 06G - 3

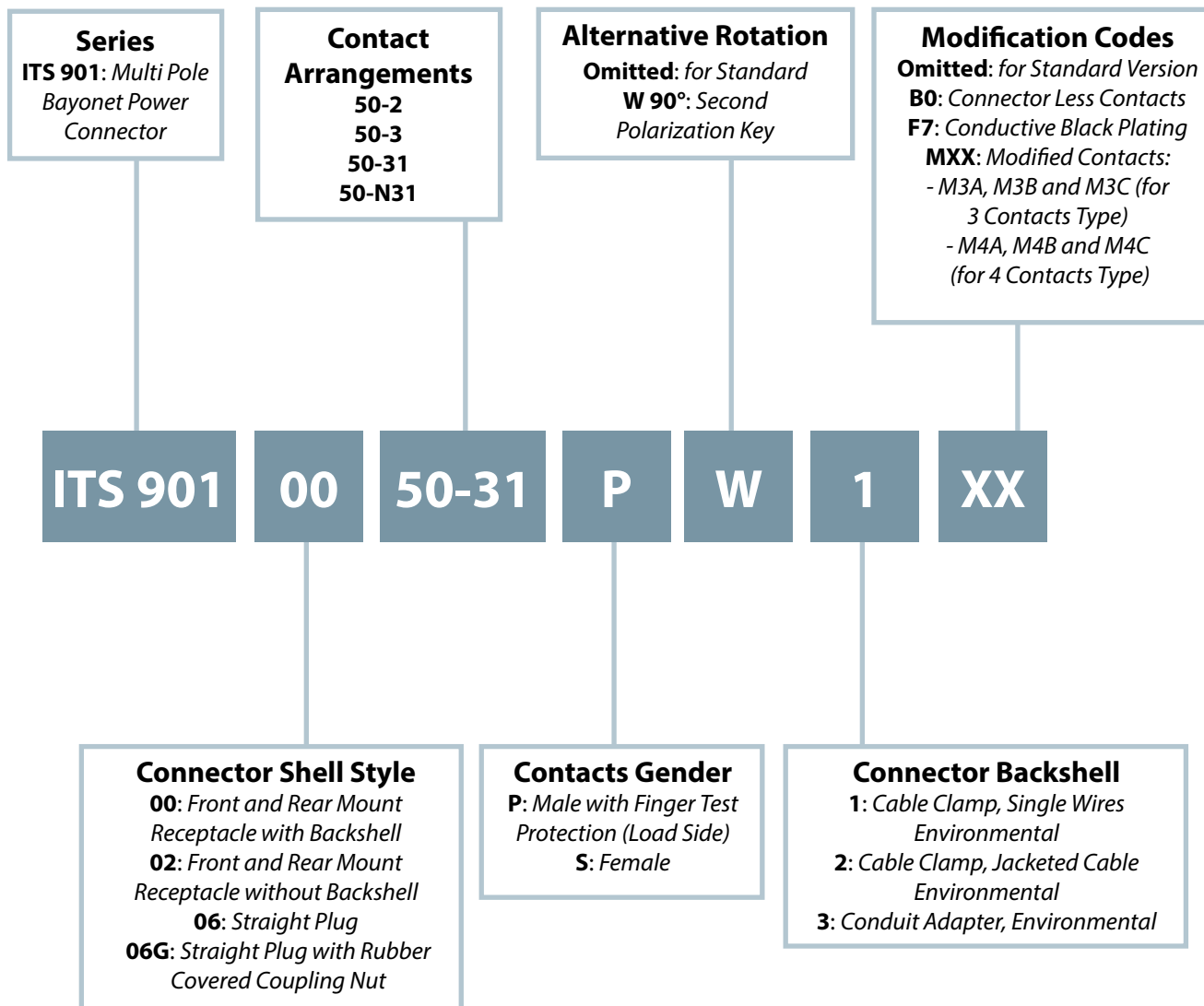
B

Backshell	Description
1	Single Wires Cable Clamp
2	Jacketed Cable Clamp
3	Adapter for Plastic or Metallic Conduit

ITS 901 Series
Reverse Bayonet Multi Pole Power Connector
How to Order - Part Number Breakdown



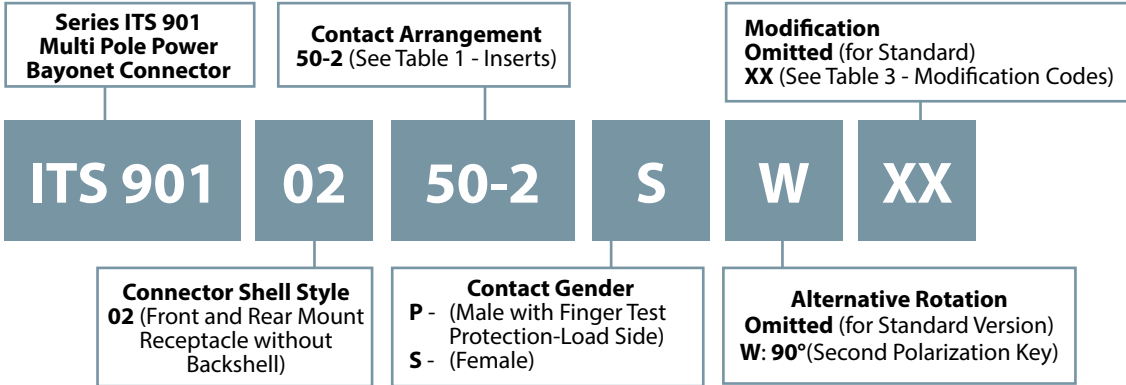
How to Order - Part Number Breakdown



* For different cable dimensions, please contact the factory.



ITS 901 02 Front and Rear Mount Receptacle Connector



B

TABLE 3 - MODIFICATION CODES

Name	Modification
Omitted	Standard
B0	Connector Less Contacts
F7	Conductive Black Plating
MXX	Modified Contacts M3A, M3B and M3C for 3 Contacts Type M4A, M4B and M4C for 4 Contacts Type



Application Notes

- Front and rear mount receptacle without backshell. RoHS Compliant.
- Working voltage: 800-1000 Vac. Test voltage: 2800 - 3800 Vac 50Hz (1 min.). See Table 1 - Inserts.
- Water proof : IP67 level (coupled connectors).
- Contact resistance: 0.2 to 0.5 mΩ Max.
- Temperature range: -55 +125°C.
- Contact: copper alloy with silver plating.
- Insulator: black thermoplastic resin according with UL94V0-NFF16-102 I1 F2 (Exigency 3).
- Shells: Aluminium alloy with electrodeposited black paint.

ITS 901 02 Front and Rear Mount Receptacle Connector

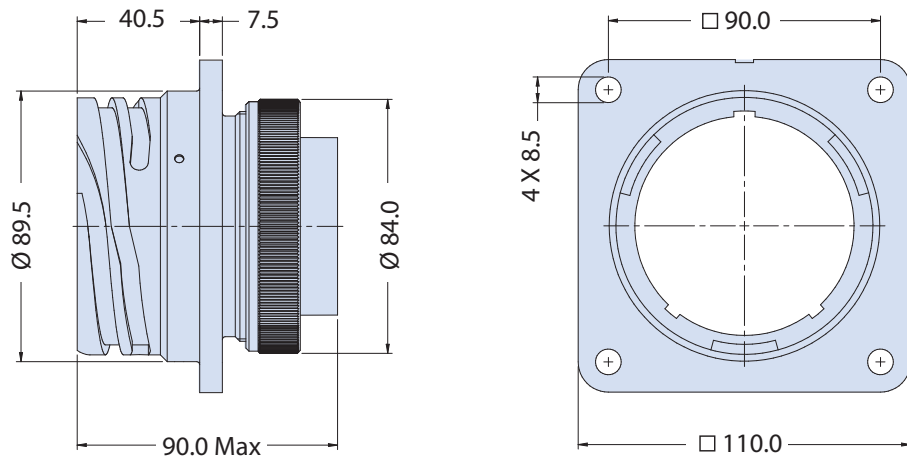


TABLE 1 - INSERTS

Insert Front View				
Arrangement	50-2	50-3	50-31	50-N31
Contact Type	4	3	3 (3) - 1 (2)	3 (3) - 1 (1)
Alternative Contact Type	4A, 4B and 4C	3A, 3B and 3C	3A, 3B and 3C	3A, 3B and 3C
Working Voltage	800 VAC	800 VAC	800 VAC	1,000 VAC.8
Test Voltage	2,800 VAC	2,800 VAC	2,800 VAC	3,800 VAC
Clearance in Air (mm)	3.5	3.5	3.5	12.0
Creepage Distance (mm)	9.7	9.7	9.7	38.0

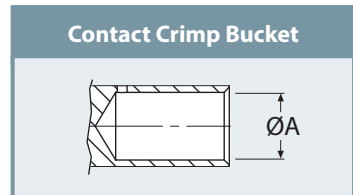


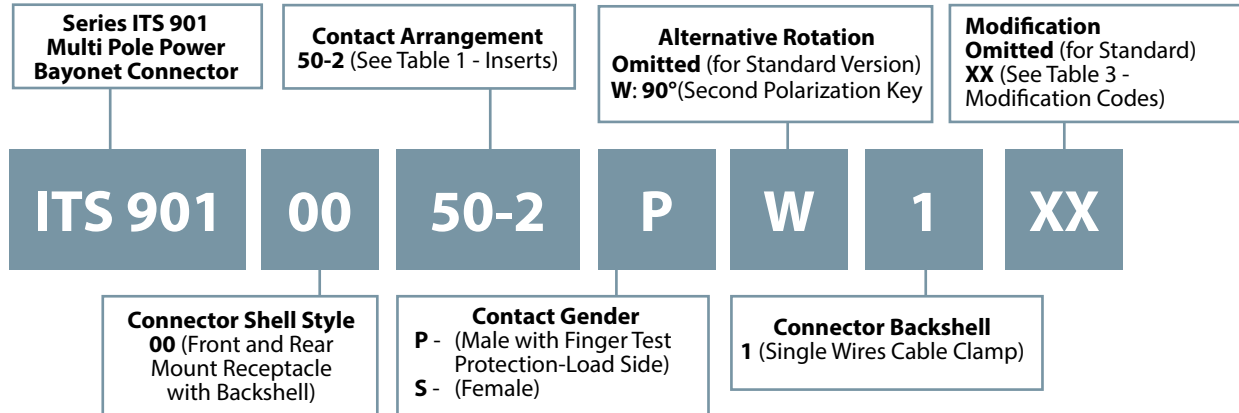
TABLE 2 - STANDARD AND ALTERNATIVE CONTACTS (Referred to TABLE 1)

Contact Type	Male Contact P/N	Female Contact P/N	Crimp Bucket - A - (mm)	Cable Section (mmq)	Working Current @20°C (A)	Max Current @80°C (A)
1	901-1-PFT-550G10	901-1-S-550G10	5.5	AWG 4	120	150
2	901-2-PFT-1150G10	901-2-S-1150G10	11.5	AWG 1/0	150	250
3	901-3-PFT-1650G10	901-3-S-1650G10	16.5	AWG 4/0	350	450
4	901-4-PFT-1780G10	901-4-S-1780G10	17.8	262 MCM	450	520
3A	901-3-PFT-1440G10	901-3-S-1440G10	14.4	AWG 3/0	320	400
3B	901-3-PFT-1440G10	901-3-S-1440G10	14.4	AWG 2/0	250	300
3C	901-3-PFT-1150G10	901-3-S-1150G10	11.5	AWG 1/0	150	250
4A	901-3-PFT-1650G10	901-3-S-1650G10	16.5	AWG 4/0	350	450
4B	901-3-PFT-1440G10	901-3-S-1440G10	14.4	AWG 3/0	320	400
4C	901-3-PFT-1440G10	901-3-S-1440G10	14.4	AWG 2/0	250	320

* Related to cables section

ITS 901 00 - 1

Front and Rear Mount Receptacle Connector Assembly for Single Wires Cable Clamp



B

TABLE 3 - MODIFICATION CODES

Name	Modification
Omitted	Standard
B0	Connector Less Contacts
F7	Conductive Black Plating
MXX	Modified Contacts M3A, M3B and M3C for 3 Contacts Type M4A, M4B and M4C for 4 Contacts Type



Application Notes

- Front and Rear mount receptacle with backshell for single wires. RoHS Compliant.
- Working voltage: 800-1000 Vac. Test voltage: 2800 - 3800 Vac 50Hz (1 min.). See Table 1 - Inserts.
- Water proof : IP67 level (coupled connectors).
- Contact resistance: 0.2 to 0.5 mΩ Max.
- Temperature range: -55 +125°C.
- Contact: copper alloy with silver plating.
- Insulator: black thermoplastic resin according with UL94V0-NFF16-102 I1 F2 (Exigency 3).
- Shells: Aluminium alloy with electrodeposited black paint.

ITS 901 00 - 1
**Front and Rear Mount Receptacle Connector
 Assembly for Single Wires Cable Clamp**



ITS 901
 Connectors

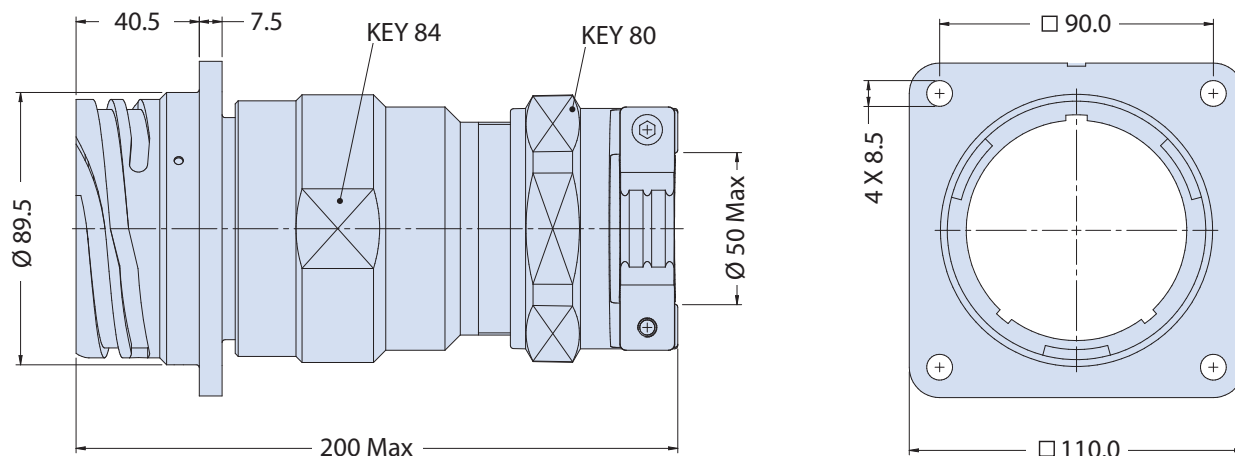


TABLE 1 - INSERTS

Insert Front View				
Arrangement	50-2	50-3	50-31	50-N31
Contact Type	4	3	3 (3) - 1 (2)	3 (3) - 1 (1)
Alternative Contact Type	4A, 4B and 4C	3A, 3B and 3C	3A, 3B and 3C	3A, 3B and 3C
Working Voltage	800 VAC	800 VAC	800 VAC	1.000 VAC.8
Test Voltage	2.800 VAC	2.800 VAC	2.800 VAC	3.800 VAC
Clearance in Air (mm)	3.5	3.5	3.5	12.0
Creepage Distance (mm)	9.7	9.7	9.7	38.0

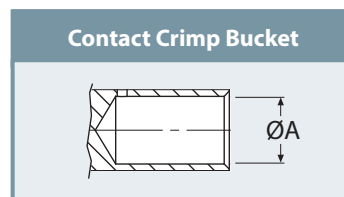


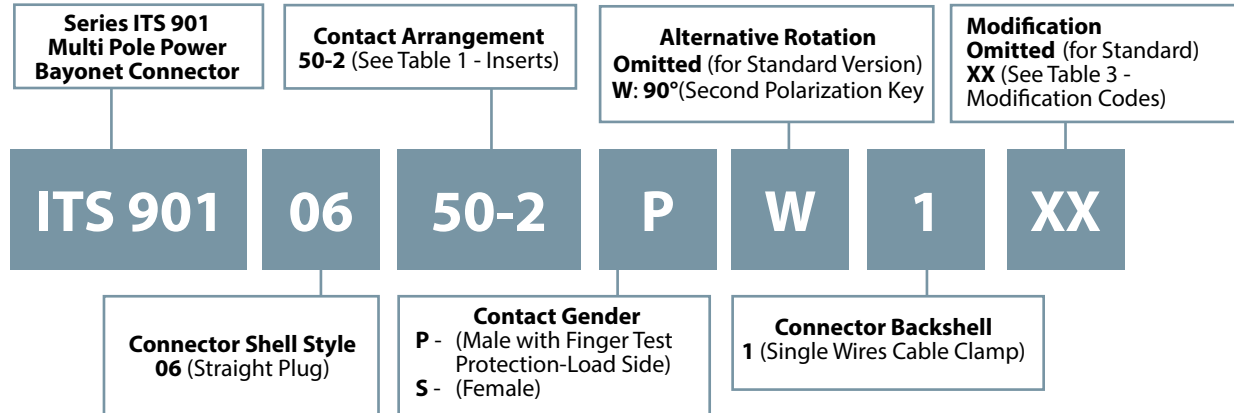
TABLE 2 - STANDARD AND ALTERNATIVE CONTACTS (Referred to TABLE 1)

Contact Type	Male Contact P/N	Female Contact P/N	Crimp Bucket - A - (mm)	Cable Section (mmq)	Working Current @20°C (A)	Max Current @80°C (A)
1	901-1-PFT-550G10	901-1-S-550G10	5.5	AWG 4	120	150
2	901-2-PFT-1150G10	901-2-S-1150G10	11.5	AWG 1/0	150	250
3	901-3-PFT-1650G10	901-3-S-1650G10	16.5	AWG 4/0	350	450
4	901-4-PFT-1780G10	901-4-S-1780G10	17.8	262 MCM	450	520
3A	901-3-PFT-1440G10	901-3-S-1440G10	14.4	AWG 3/0	320	400
3B	901-3-PFT-1440G10	901-3-S-1440G10	14.4	AWG 2/0	250	300
3C	901-3-PFT-1150G10	901-3-S-1150G10	11.5	AWG 1/0	150	250
4A	901-3-PFT-1650G10	901-3-S-1650G10	16.5	AWG 4/0	350	450
4B	901-3-PFT-1440G10	901-3-S-1440G10	14.4	AWG 3/0	320	400
4C	901-3-PFT-1440G10	901-3-S-1440G10	14.4	AWG 2/0	250	320

* Related to cables section

B

ITS 901 06 - 1 Straight Cylindrical Plug Assembly for Single Wires Cable Clamp



B

TABLE 3 - MODIFICATION CODES

Name	Modification
Omitted	Standard
B0	Connector Less Contacts
F7	Conductive Black Plating
MXX	Modified Contacts M3A, M3B and M3C for 3 Contacts Type M4A, M4B and M4C for 4 Contacts Type



Application Notes

- Straight Plug with backshell for single wires. RoHS Compliant.
- Working voltage: 800-1000 Vac. Test voltage: 2800 - 3800 Vac 50Hz (1 min.). See Table 1 - Inserts.
- Water proof : IP67 level (coupled connectors).
- Contact resistance: 0.2 to 0.5 mΩ Max.
- Temperature range: -55 +125°C.
- Contact: copper alloy with silver plating.
- Insulator: black thermoplastic resin according with UL94V0-NFF16-102 I1 F2 (Exigency 3).
- Shells: Aluminium alloy with electrodeposited black paint.

ITS 901 06 - 1
Straight Cylindrical Plug
 Assembly for Single Wires Cable Clamp

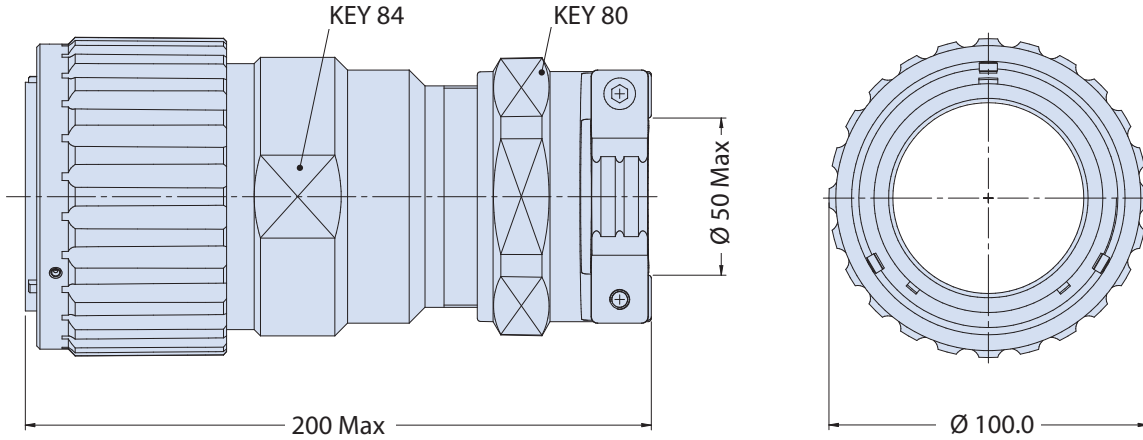


TABLE 1 - INSERTS

Insert Front View				
Arrangement	50-2	50-3	50-31	50-N31
Contact Type	4	3	3 (3) - 1 (2)	3 (3) - 1 (1)
Alternative Contact Type	4A, 4B and 4C	3A, 3B and 3C	3A, 3B and 3C	3A, 3B and 3C
Working Voltage	800 VAC	800 VAC	800 VAC	1.000 VAC.8
Test Voltage	2.800 VAC	2.800 VAC	2.800 VAC	3.800 VAC
Clearance in Air (mm)	3.5	3.5	3.5	12.0
Creepage Distance (mm)	9.7	9.7	9.7	38.0

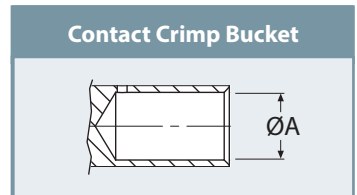


TABLE 2 - STANDARD AND ALTERNATIVE CONTACTS (Referred to TABLE 1)

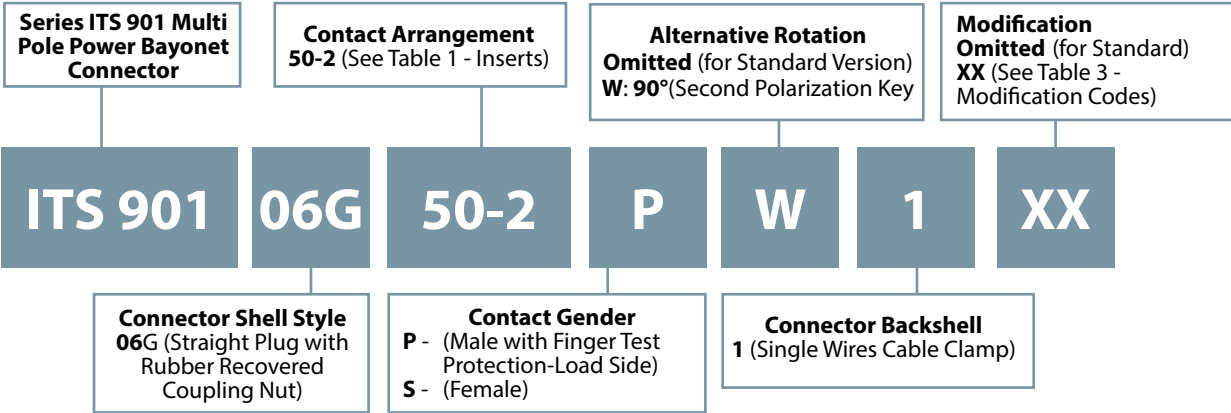
Contact Type	Male Contact P/N	Female Contact P/N	Crimp Bucket - A - (mm)	Cable Section (mmq)	Working Current @20°C (A)	Max Current @80°C (A)
1	901-1-PFT-550G10	901-1-S-550G10	5.5	AWG 4	120	150
2	901-2-PFT-1150G10	901-2-S-1150G10	11.5	AWG 1/0	150	250
3	901-3-PFT-1650G10	901-3-S-1650G10	16.5	AWG 4/0	350	450
4	901-4-PFT-1780G10	901-4-S-1780G10	17.8	262 MCM	450	520
3A	901-3-PFT-1440G10	901-3-S-1440G10	14.4	AWG 3/0	320	400
3B	901-3-PFT-1440G10	901-3-S-1440G10	14.4	AWG 2/0	250	300
3C	901-3-PFT-1150G10	901-3-S-1150G10	11.5	AWG 1/0	150	250
4A	901-3-PFT-1650G10	901-3-S-1650G10	16.5	AWG 4/0	350	450
4B	901-3-PFT-1440G10	901-3-S-1440G10	14.4	AWG 3/0	320	400
4C	901-3-PFT-1440G10	901-3-S-1440G10	14.4	AWG 2/0	250	320

* Related to cables section



ITS 901 06G - 1

Straight Cylindrical Plug with Rubber Recovered Coupling Assembly for Single Wires Cable Clamp



B

TABLE 3 - MODIFICATION CODES

Name	Modification
Omitted	Standard
B0	Connector Less Contacts
F7	Conductive Black Plating
MXX	Modified Contacts M3A, M3B and M3C for 3 Contacts Type M4A, M4B and M4C for 4 Contacts Type



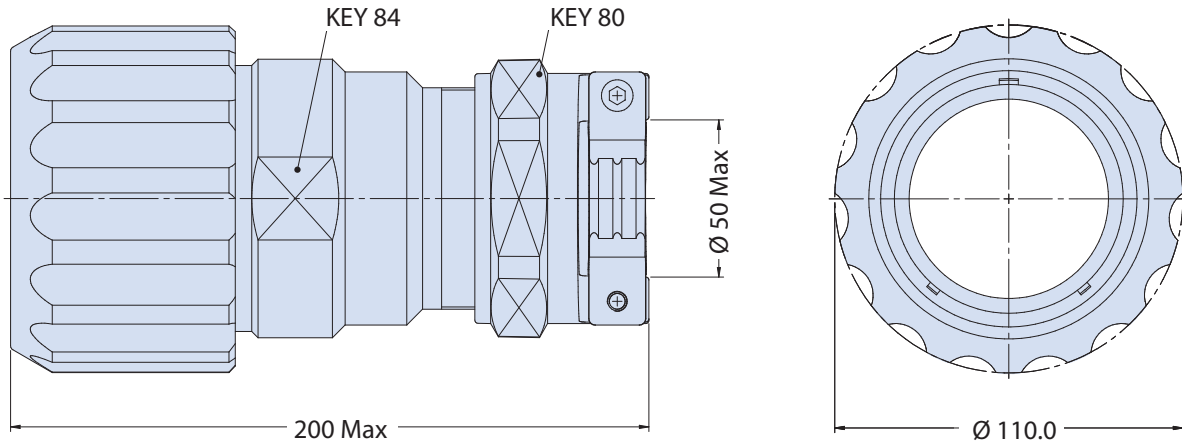
Application Notes

- Straight Plug with backshell for single wires with rubber recovered coupling. RoHS Compliant.
- Working voltage: 800-1000 Vac. Test voltage: 2800 - 3800 Vac 50Hz (1 min.). See Table 1 - Inserts.
- Water proof : IP67 level (coupled connectors).
- Contact resistance: 0.2 to 0.5 mΩ Max.
- Temperature range: -55 +125°C.
- Contact: copper alloy with silver plating.
- Insulator: black thermoplastic resin according with UL94V0-NFF16-102 I1 F2 (Exigency 3).
- Shells: Aluminium alloy with electrodeposited black paint.

ITS 901 06G - 1
Straight Cylindrical Plug with Rubber Recovered Coupling
Assembly for Single Wires Cable Clamp



ITS 901
Connectors



B

TABLE 1 - INSERTS

Insert Front View				
Arrangement	50-2	50-3	50-31	50-N31
Contact Type	4	3	3 (3) - 1 (2)	3 (3) - 1 (1)
Alternative Contact Type	4A, 4B and 4C	3A, 3B and 3C	3A, 3B and 3C	3A, 3B and 3C
Working Voltage	800 VAC	800 VAC	800 VAC	1.000 VAC.8
Test Voltage	2.800 VAC	2.800 VAC	2.800 VAC	3.800 VAC
Clearance in Air (mm)	3.5	3.5	3.5	12.0
Creepage Distance (mm)	9.7	9.7	9.7	38.0

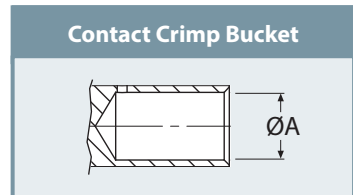


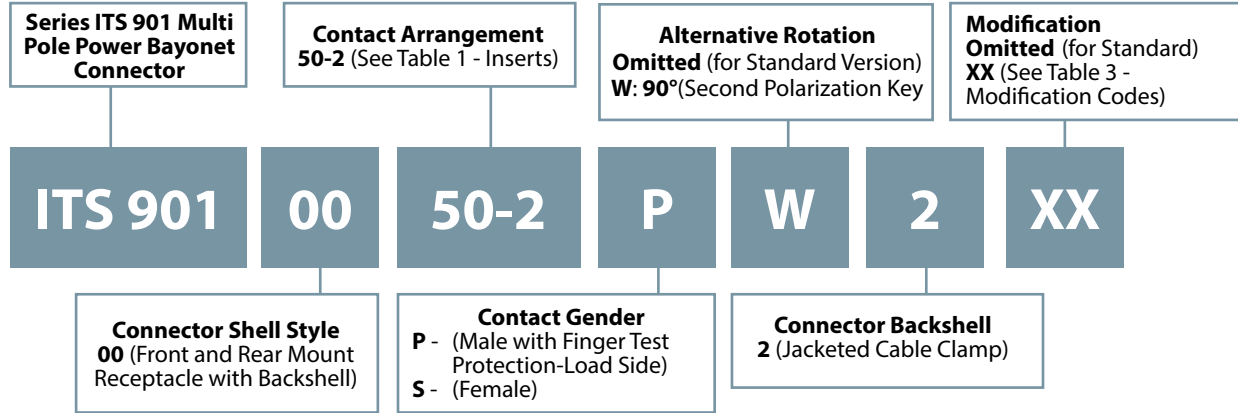
TABLE 2 - STANDARD AND ALTERNATIVE CONTACTS (Referred to TABLE 1)

Contact Type	Male Contact P/N	Female Contact P/N	Crimp Bucket - A - (mm)	Cable Section (mmq)	Working Current @20°C (A)	Max Current @80°C (A)
1	901-1-PFT-550G10	901-1-S-550G10	5.5	AWG 4	120	150
2	901-2-PFT-1150G10	901-2-S-1150G10	11.5	AWG 1/0	150	250
3	901-3-PFT-1650G10	901-3-S-1650G10	16.5	AWG 4/0	350	450
4	901-4-PFT-1780G10	901-4-S-1780G10	17.8	262 MCM	450	520
3A	901-3-PFT-1440G10	901-3-S-1440G10	14.4	AWG 3/0	320	400
3B	901-3-PFT-1440G10	901-3-S-1440G10	14.4	AWG 2/0	250	300
3C	901-3-PFT-1150G10	901-3-S-1150G10	11.5	AWG 1/0	150	250
4A	901-3-PFT-1650G10	901-3-S-1650G10	16.5	AWG 4/0	350	450
4B	901-3-PFT-1440G10	901-3-S-1440G10	14.4	AWG 3/0	320	400
4C	901-3-PFT-1440G10	901-3-S-1440G10	14.4	AWG 2/0	250	320

* Related to cables section



ITS 901 00 - 2 Front and Rear Mount Receptacle Assembly for Jacketed Cable



B

TABLE 3 - MODIFICATION CODES

Name	Modification
Omitted	Standard
B0	Connector Less Contacts
F7	Conductive Black Plating
MXX	Modified Contacts M3A, M3B and M3C for 3 Contacts Type M4A, M4B and M4C for 4 Contacts Type



Application Notes

- Front and Rear mount receptacle with backshell for jacketed cable. RoHS Compliant.
- Working voltage: 800-1000 Vac. Test voltage: 2800 - 3800 Vac 50Hz (1 min.). See Table 1 - Inserts.
- Water proof : IP67 level (coupled connectors).
- Contact resistance: 0.2 to 0.5 mΩ Max.
- Temperature range: -55 +125°C.
- Contact: copper alloy with silver plating.
- Insulator: black thermoplastic resin according with UL94V0-NFF16-102 I1 F2 (Exigency 3).
- Shells: Aluminium alloy with electrodeposited black paint.

ITS 901 00 - 2
Front and Rear Mount Receptacle
Assembly for Jacketed Cable

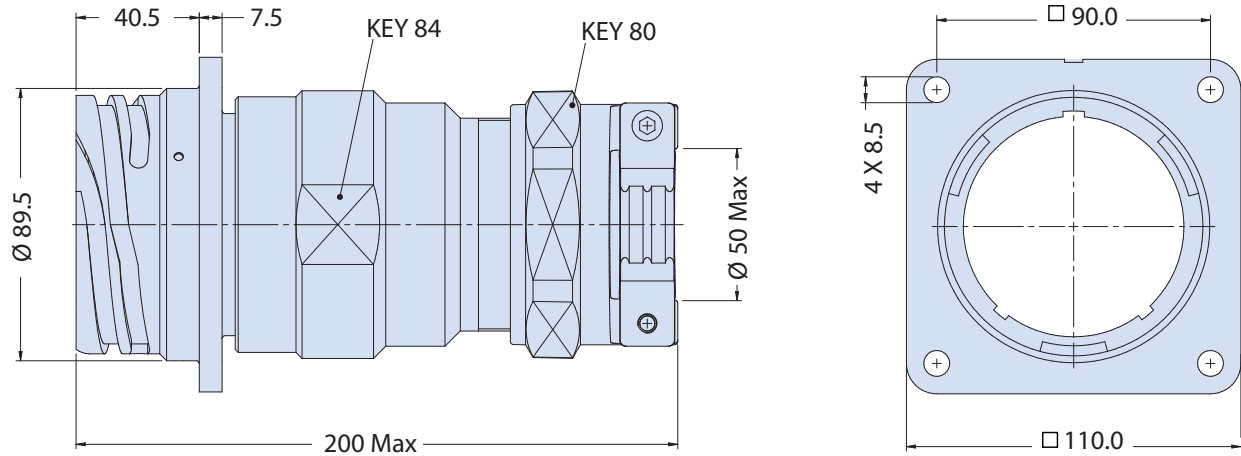


TABLE 1 - INSERTS

Insert Front View				
Arrangement	50-2	50-3	50-31	50-N31
Contact Type	4	3	3 (3) - 1 (2)	3 (3) - 1 (1)
Alternative Contact Type	4A, 4B and 4C	3A, 3B and 3C	3A, 3B and 3C	3A, 3B and 3C
Working Voltage	800 VAC	800 VAC	800 VAC	1.000 VAC.8
Test Voltage	2.800 VAC	2.800 VAC	2.800 VAC	3.800 VAC
Clearance in Air (mm)	3.5	3.5	3.5	12.0
Creepage Distance (mm)	9.7	9.7	9.7	38.0

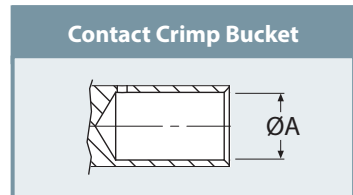
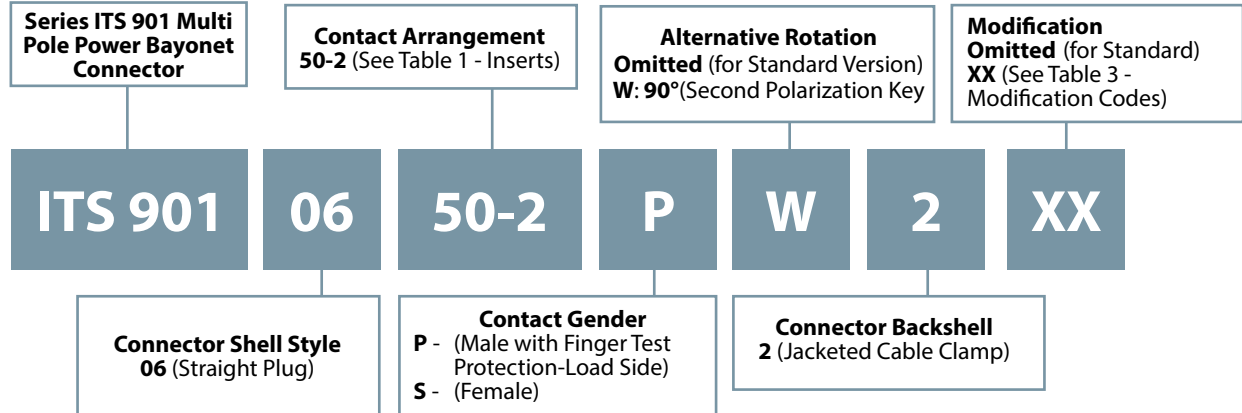


TABLE 2 - STANDARD AND ALTERNATIVE CONTACTS (Referred to TABLE 1)

Contact Type	Male Contact P/N	Female Contact P/N	Crimp Bucket - A - (mm)	Cable Section (mmq)	Working Current @20°C (A)	Max Current @80°C (A)
1	901-1-PFT-550G10	901-1-S-550G10	5.5	AWG 4	120	150
2	901-2-PFT-1150G10	901-2-S-1150G10	11.5	AWG 1/0	150	250
3	901-3-PFT-1650G10	901-3-S-1650G10	16.5	AWG 4/0	350	450
4	901-4-PFT-1780G10	901-4-S-1780G10	17.8	262 MCM	450	520
3A	901-3-PFT-1440G10	901-3-S-1440G10	14.4	AWG 3/0	320	400
3B	901-3-PFT-1440G10	901-3-S-1440G10	14.4	AWG 2/0	250	300
3C	901-3-PFT-1150G10	901-3-S-1150G10	11.5	AWG 1/0	150	250
4A	901-3-PFT-1650G10	901-3-S-1650G10	16.5	AWG 4/0	350	450
4B	901-3-PFT-1440G10	901-3-S-1440G10	14.4	AWG 3/0	320	400
4C	901-3-PFT-1440G10	901-3-S-1440G10	14.4	AWG 2/0	250	320

* Related to cables section

ITS 901 06 - 2 Straight Cylindrical Plug Assembly for Jacketed Cable



B

TABLE 3 - MODIFICATION CODES

Name	Modification
Omitted	Standard
B0	Connector Less Contacts
F7	Conductive Black Plating
MXX	Modified Contacts M3A, M3B and M3C for 3 Contacts Type M4A, M4B and M4C for 4 Contacts Type



Application Notes

- Straight Plug with backshell for jacketed cable. RoHS Compliant.
- Working voltage: 800-1000 Vac. Test voltage: 2800 - 3800 Vac 50Hz (1 min.). See Table 1 - Inserts.
- Water proof : IP67 level (coupled connectors).
- Contact resistance: 0.2 to 0.5 mΩ Max.
- Temperature range: -55 +125°C.
- Contact: copper alloy with silver plating.
- Insulator: black thermoplastic resin according with UL94V0-NFF16-102 I1 F2 (Exigency 3).
- Shells: Aluminium alloy with electrodeposited black paint.

ITS 901 06 - 2
Straight Cylindrical Plug
Assembly for Jacketed Cable

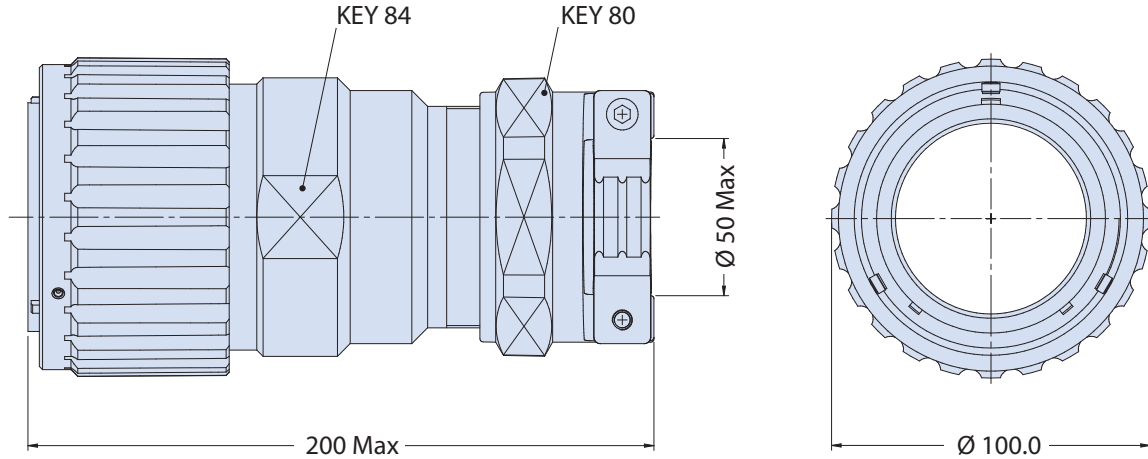


TABLE 1 - INSERTS

Insert Front View				
Arrangement	50-2	50-3	50-31	50-N31
Contact Type	4	3	3 (3) - 1 (2)	3 (3) - 1 (1)
Alternative Contact Type	4A, 4B and 4C	3A, 3B and 3C	3A, 3B and 3C	3A, 3B and 3C
Working Voltage	800 VAC	800 VAC	800 VAC	1.000 VAC.8
Test Voltage	2.800 VAC	2.800 VAC	2.800 VAC	3.800 VAC
Clearance in Air (mm)	3.5	3.5	3.5	12.0
Creepage Distance (mm)	9.7	9.7	9.7	38.0

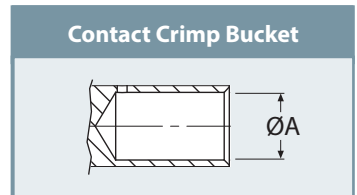


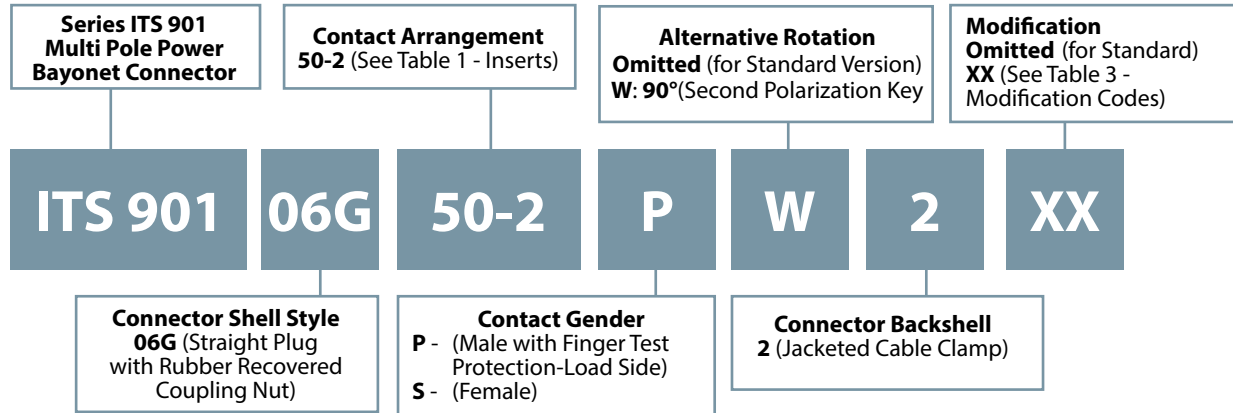
TABLE 2 - STANDARD AND ALTERNATIVE CONTACTS (Referred to TABLE 1)

Contact Type	Male Contact P/N	Female Contact P/N	Crimp Bucket - A - (mm)	Cable Section (mmq)	Working Current @20°C (A)	Max Current @80°C (A)
1	901-1-PFT-550G10	901-1-S-550G10	5.5	AWG 4	120	150
2	901-2-PFT-1150G10	901-2-S-1150G10	11.5	AWG 1/0	150	250
3	901-3-PFT-1650G10	901-3-S-1650G10	16.5	AWG 4/0	350	450
4	901-4-PFT-1780G10	901-4-S-1780G10	17.8	262 MCM	450	520
3A	901-3-PFT-1440G10	901-3-S-1440G10	14.4	AWG 3/0	320	400
3B	901-3-PFT-1440G10	901-3-S-1440G10	14.4	AWG 2/0	250	300
3C	901-3-PFT-1150G10	901-3-S-1150G10	11.5	AWG 1/0	150	250
4A	901-3-PFT-1650G10	901-3-S-1650G10	16.5	AWG 4/0	350	450
4B	901-3-PFT-1440G10	901-3-S-1440G10	14.4	AWG 3/0	320	400
4C	901-3-PFT-1440G10	901-3-S-1440G10	14.4	AWG 2/0	250	320

* Related to cables section

ITS 901 06G - 2

Straight Cylindrical Plug with Rubber Recovered Coupling Assembly for Jacketed Cable



B

TABLE 3 - MODIFICATION CODES

Name	Modification
Omitted	Standard
B0	Connector Less Contacts
F7	Conductive Black Plating
MXX	Modified Contacts M3A, M3B and M3C for 3 Contacts Type M4A, M4B and M4C for 4 Contacts Type



Application Notes

- Straight Plug with backshell for jacketed cable with rubber recovered coupling. RoHS Compliant.
- Working voltage: 800-1000 Vac. Test voltage: 2800 - 3800 Vac 50Hz (1 min.). See Table 1 - Inserts.
- Water proof : IP67 level (coupled connectors).
- Contact resistance: 0.2 to 0.5 mΩ Max.
- Temperature range: -55 +125°C.
- Contact: copper alloy with silver plating.
- Insulator: black thermoplastic resin according with UL94V0-NFF16-102 I1 F2 (Exigency 3).
- Shells: Aluminium alloy with electrodeposited black paint.

ITS 901 06G - 2
Straight Cylindrical Plug with Rubber Recovered Coupling
Assembly for Jacketed Cable

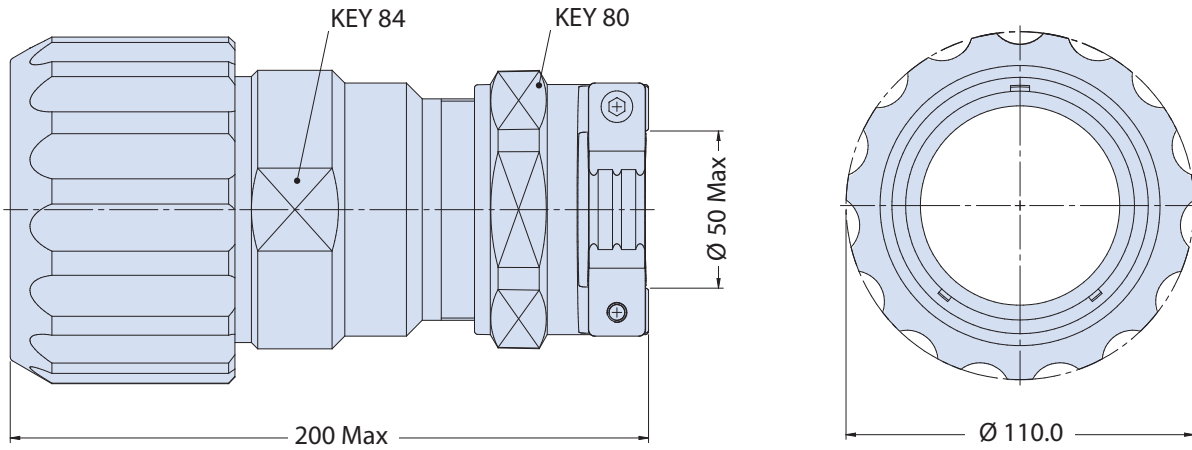


TABLE 1 - INSERTS

Insert Front View				
Arrangement	50-2	50-3	50-31	50-N31
Contact Type	4	3	3 (3) - 1 (2)	3 (3) - 1 (1)
Alternative Contact Type	4A, 4B and 4C	3A, 3B and 3C	3A, 3B and 3C	3A, 3B and 3C
Working Voltage	800 VAC	800 VAC	800 VAC	1.000 VAC.8
Test Voltage	2.800 VAC	2.800 VAC	2.800 VAC	3.800 VAC
Clearance in Air (mm)	3.5	3.5	3.5	12.0
Creepage Distance (mm)	9.7	9.7	9.7	38.0

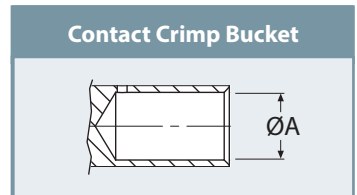
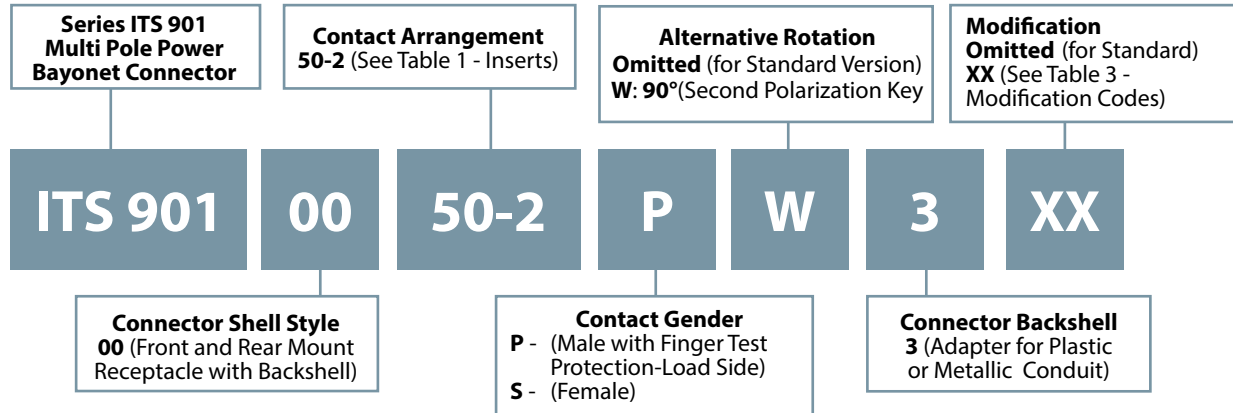


TABLE 2 - STANDARD AND ALTERNATIVE CONTACTS (Referred to TABLE 1)

Contact Type	Male Contact P/N	Female Contact P/N	Crimp Bucket - A - (mm)	Cable Section (mmq)	Working Current @20°C (A)	Max Current @80°C (A)
1	901-1-PFT-550G10	901-1-S-550G10	5.5	AWG 4	120	150
2	901-2-PFT-1150G10	901-2-S-1150G10	11.5	AWG 1/0	150	250
3	901-3-PFT-1650G10	901-3-S-1650G10	16.5	AWG 4/0	350	450
4	901-4-PFT-1780G10	901-4-S-1780G10	17.8	262 MCM	450	520
3A	901-3-PFT-1440G10	901-3-S-1440G10	14.4	AWG 3/0	320	400
3B	901-3-PFT-1440G10	901-3-S-1440G10	14.4	AWG 2/0	250	300
3C	901-3-PFT-1150G10	901-3-S-1150G10	11.5	AWG 1/0	150	250
4A	901-3-PFT-1650G10	901-3-S-1650G10	16.5	AWG 4/0	350	450
4B	901-3-PFT-1440G10	901-3-S-1440G10	14.4	AWG 3/0	320	400
4C	901-3-PFT-1440G10	901-3-S-1440G10	14.4	AWG 2/0	250	320

* Related to cables section

ITS 901 00 - 3 Front and Rear Mount Receptacle Assembly for Single Wires and Conduit



B

TABLE 3 - MODIFICATION CODES

Name	Modification
Omitted	Standard
B0	Connector Less Contacts
F7	Conductive Black Plating
MXX	Modified Contacts M3A, M3B and M3C for 3 Contacts Type M4A, M4B and M4C for 4 Contacts Type



Application Notes

- Front and Rear mount receptacle with backshell for single wires and conduit. RoHS Compliant.
- Working voltage: 800-1000 Vac. Test voltage: 2800 - 3800 Vac 50Hz (1 min.). See Table 1 - Inserts.
- Water proof : IP67 level (coupled connectors).
- Contact resistance: 0.2 to 0.5 mΩ Max.
- Temperature range: -55 +125°C.
- Contact: copper alloy with silver plating.
- Insulator: black thermoplastic resin according with UL94V0-NFF16-102 I1 F2 (Exigency 3).
- Shells: Aluminium alloy with electrodeposited black paint.

ITS 901 00 - 3
Front and Rear Mount Receptacle
Assembly for Single Wires and Conduit

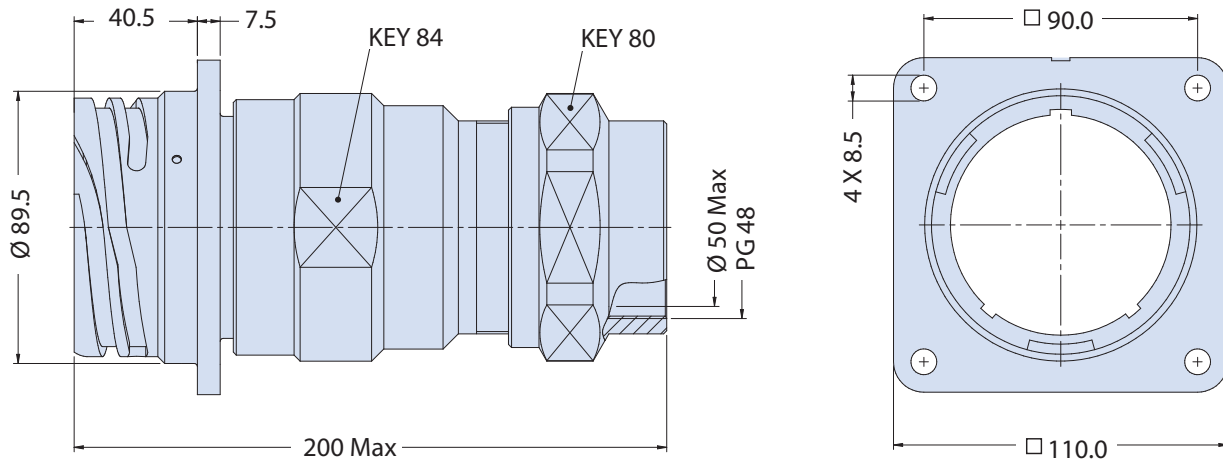


TABLE 1 - INSERTS

Insert Front View				
Arrangement	50-2	50-3	50-31	50-N31
Contact Type	4	3	3 (3) - 1 (2)	3 (3) - 1 (1)
Alternative Contact Type	4A, 4B and 4C	3A, 3B and 3C	3A, 3B and 3C	3A, 3B and 3C
Working Voltage	800 VAC	800 VAC	800 VAC	1.000 VAC.8
Test Voltage	2.800 VAC	2.800 VAC	2.800 VAC	3.800 VAC
Clearance in Air (mm)	3.5	3.5	3.5	12.0
Creepage Distance (mm)	9.7	9.7	9.7	38.0

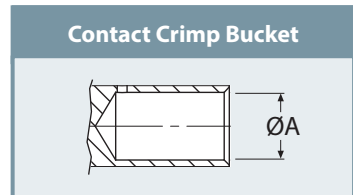


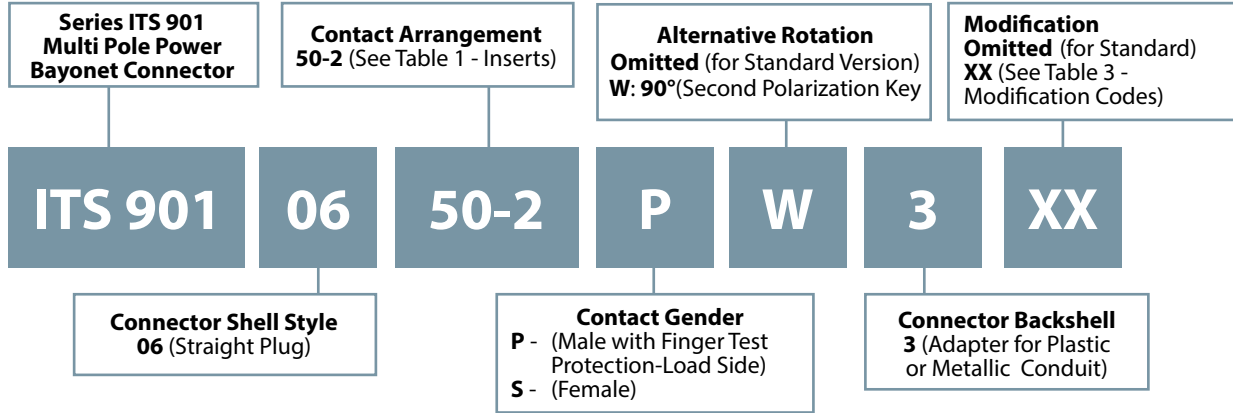
TABLE 2 - STANDARD AND ALTERNATIVE CONTACTS (Referred to TABLE 1)

Contact Type	Male Contact P/N	Female Contact P/N	Crimp Bucket - A - (mm)	Cable Section (mmq)	Working Current @20°C (A)	Max Current @80°C (A)
1	901-1-PFT-550G10	901-1-S-550G10	5.5	AWG 4	120	150
2	901-2-PFT-1150G10	901-2-S-1150G10	11.5	AWG 1/0	150	250
3	901-3-PFT-1650G10	901-3-S-1650G10	16.5	AWG 4/0	350	450
4	901-4-PFT-1780G10	901-4-S-1780G10	17.8	262 MCM	450	520
3A	901-3-PFT-1440G10	901-3-S-1440G10	14.4	AWG 3/0	320	400
3B	901-3-PFT-1440G10	901-3-S-1440G10	14.4	AWG 2/0	250	300
3C	901-3-PFT-1150G10	901-3-S-1150G10	11.5	AWG 1/0	150	250
4A	901-3-PFT-1650G10	901-3-S-1650G10	16.5	AWG 4/0	350	450
4B	901-3-PFT-1440G10	901-3-S-1440G10	14.4	AWG 3/0	320	400
4C	901-3-PFT-1440G10	901-3-S-1440G10	14.4	AWG 2/0	250	320

* Related to cables section



ITS 901 06 - 3
Straight Cylindrical Plug
Assembly for Single Wires and Conduit



B

TABLE 3 - MODIFICATION CODES

Name	Modification
Omitted	Standard
B0	Connector Less Contacts
F7	Conductive Black Plating
MXX	Modified Contacts M3A, M3B and M3C for 3 Contacts Type M4A, M4B and M4C for 4 Contacts Type



Application Notes

- Straight Plug with backshell for single wires and conduit. RoHS Compliant.
- Working voltage: 800-1000 Vac. Test voltage: 2800 - 3800 Vac 50Hz (1 min.). See Table 1 - Inserts.
- Water proof : IP67 level (coupled connectors).
- Contact resistance: 0.2 to 0.5 mΩ Max.
- Temperature range: -55 +125°C.
- Contact: copper alloy with silver plating.
- Insulator: black thermoplastic resin according with UL94V0-NFF16-102 I1 F2 (Exigency 3).
- Shells: Aluminium alloy with electrodeposited black paint.

ITS 901 06 - 3
Straight Cylindrical Plug
 Assembly for Single Wires and Conduit

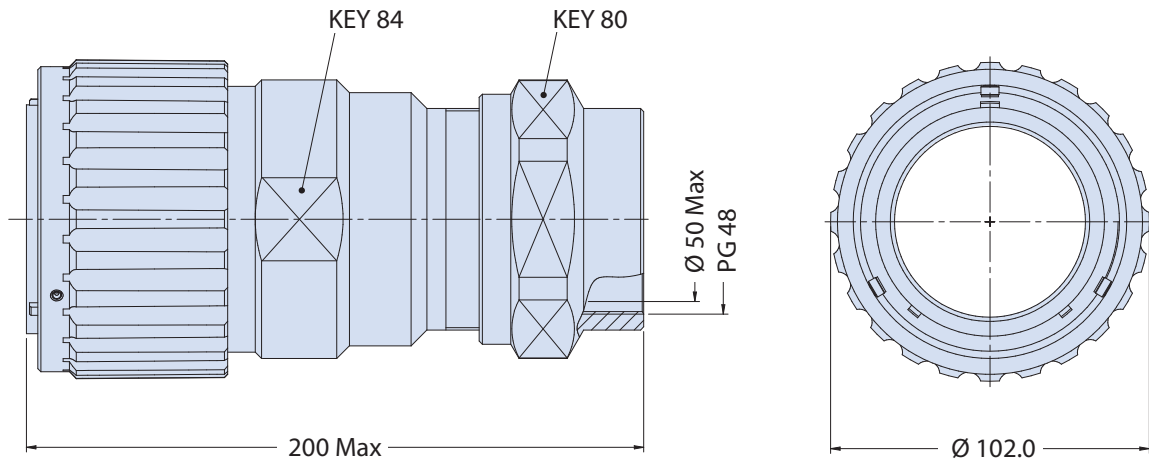


TABLE 1 - INSERTS

Insert Front View				
Arrangement	50-2	50-3	50-31	50-N31
Contact Type	4	3	3 (3) - 1 (2)	3 (3) - 1 (1)
Alternative Contact Type	4A, 4B and 4C	3A, 3B and 3C	3A, 3B and 3C	3A, 3B and 3C
Working Voltage	800 VAC	800 VAC	800 VAC	1.000 VAC.8
Test Voltage	2.800 VAC	2.800 VAC	2.800 VAC	3.800 VAC
Clearance in Air (mm)	3.5	3.5	3.5	12.0
Creepage Distance (mm)	9.7	9.7	9.7	38.0

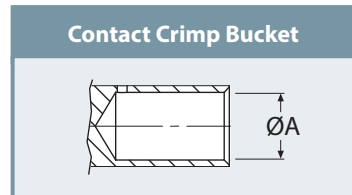


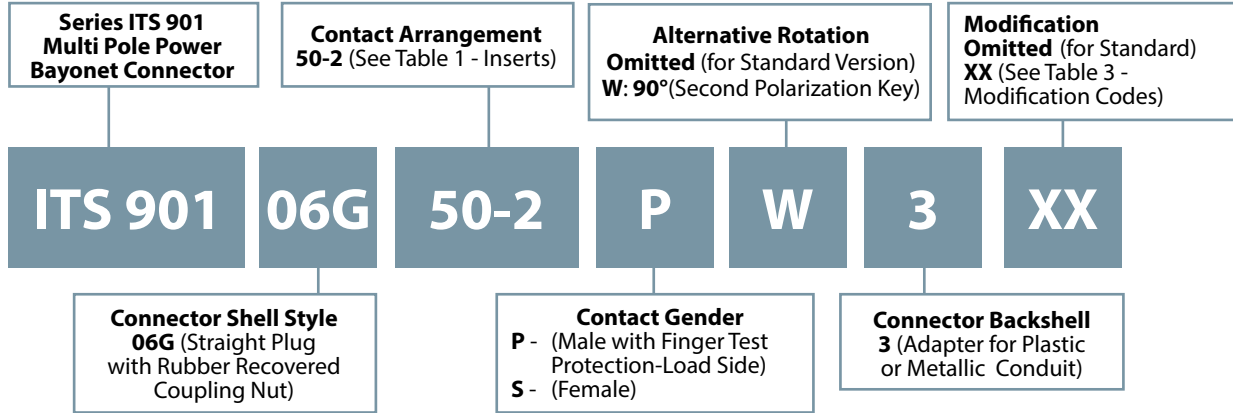
TABLE 2 - STANDARD AND ALTERNATIVE CONTACTS (Referred to TABLE 1)

Contact Type	Male Contact P/N	Female Contact P/N	Crimp Bucket - A - (mm)	Cable Section (mmq)	Working Current @20°C (A)	Max Current @80°C (A)
1	901-1-PFT-550G10	901-1-S-550G10	5.5	AWG 4	120	150
2	901-2-PFT-1150G10	901-2-S-1150G10	11.5	AWG 1/0	150	250
3	901-3-PFT-1650G10	901-3-S-1650G10	16.5	AWG 4/0	350	450
4	901-4-PFT-1780G10	901-4-S-1780G10	17.8	262 MCM	450	520
3A	901-3-PFT-1440G10	901-3-S-1440G10	14.4	AWG 3/0	320	400
3B	901-3-PFT-1440G10	901-3-S-1440G10	14.4	AWG 2/0	250	300
3C	901-3-PFT-1150G10	901-3-S-1150G10	11.5	AWG 1/0	150	250
4A	901-3-PFT-1650G10	901-3-S-1650G10	16.5	AWG 4/0	350	450
4B	901-3-PFT-1440G10	901-3-S-1440G10	14.4	AWG 3/0	320	400
4C	901-3-PFT-1440G10	901-3-S-1440G10	14.4	AWG 2/0	250	320

* Related to cables section



ITS 901 06G - 3
Straight Cylindrical Plug with Rubber Recovered Coupling
Assembly for Single Wires and Conduit



B

TABLE 3 - MODIFICATION CODES

Name	Modification
Omitted	Standard
B0	Connector Less Contacts
F7	Conductive Black Plating
MXX	Modified Contacts M3A, M3B and M3C for 3 Contacts Type M4A, M4B and M4C for 4 Contacts Type



Application Notes

- Straight Plug with backshell for single wires and conduit with rubber recovered coupling. RoHS Compliant.
- Working voltage: 800-1000 Vac. Test voltage: 2800 - 3800 Vac 50Hz (1 min.). See Table 1 - Inserts.
- Water proof : IP67 level (coupled connectors).
- Contact resistance: 0.2 to 0.5 mΩ Max.
- Temperature range: -55 +125°C.
- Contact: copper alloy with silver plating.
- Insulator: black thermoplastic resin according with UL94V0-NFF16-102 I1 F2 (Exigency 3).
- Shells: Aluminium alloy with electrodeposited black paint.

ITS 901 06G - 3
Straight Cylindrical Plug with Rubber Recovered Coupling
Assembly for Single Wires and Conduit

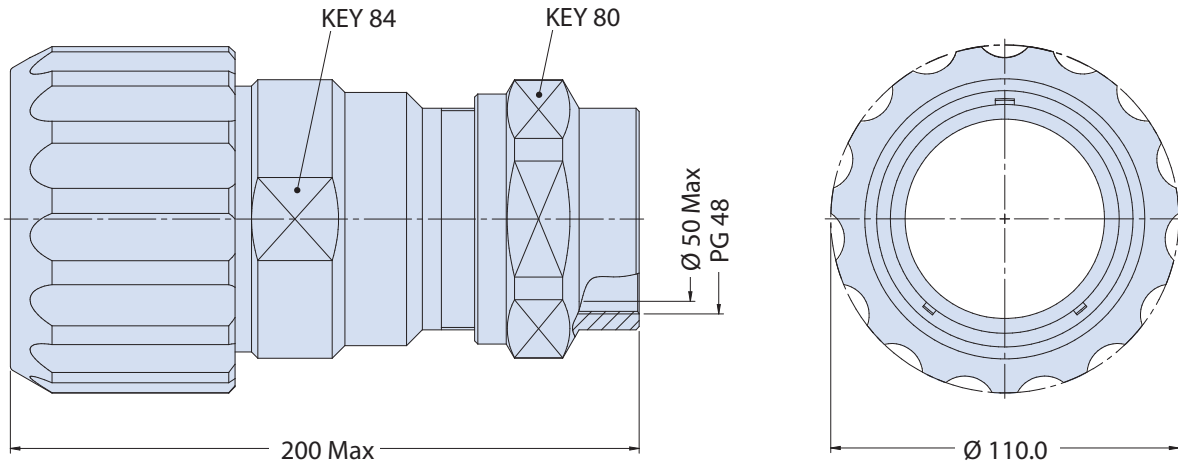


TABLE 1 - INSERTS

Insert Front View				
Arrangement	50-2	50-3	50-31	50-N31
Contact Type	4	3	3 (3) - 1 (2)	3 (3) - 1 (1)
Alternative Contact Type	4A, 4B and 4C	3A, 3B and 3C	3A, 3B and 3C	3A, 3B and 3C
Working Voltage	800 VAC	800 VAC	800 VAC	1.000 VAC.8
Test Voltage	2.800 VAC	2.800 VAC	2.800 VAC	3.800 VAC
Clearance in Air (mm)	3.5	3.5	3.5	12.0
Creepage Distance (mm)	9.7	9.7	9.7	38.0

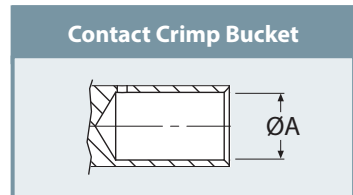


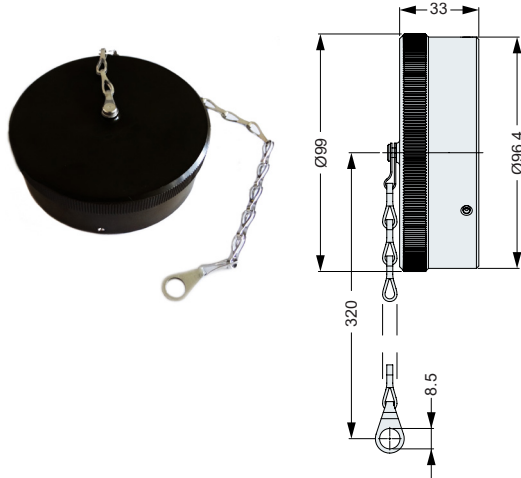
TABLE 2 - STANDARD AND ALTERNATIVE CONTACTS (Referred to TABLE 1)

Contact Type	Male Contact P/N	Female Contact P/N	Crimp Bucket - A - (mm)	Cable Section (mmq)	Working Current @20°C (A)	Max Current @80°C (A)
1	901-1-PFT-550G10	901-1-S-550G10	5.5	AWG 4	120	150
2	901-2-PFT-1150G10	901-2-S-1150G10	11.5	AWG 1/0	150	250
3	901-3-PFT-1650G10	901-3-S-1650G10	16.5	AWG 4/0	350	450
4	901-4-PFT-1780G10	901-4-S-1780G10	17.8	262 MCM	450	520
3A	901-3-PFT-1440G10	901-3-S-1440G10	14.4	AWG 3/0	320	400
3B	901-3-PFT-1440G10	901-3-S-1440G10	14.4	AWG 2/0	250	300
3C	901-3-PFT-1150G10	901-3-S-1150G10	11.5	AWG 1/0	150	250
4A	901-3-PFT-1650G10	901-3-S-1650G10	16.5	AWG 4/0	350	450
4B	901-3-PFT-1440G10	901-3-S-1440G10	14.4	AWG 3/0	320	400
4C	901-3-PFT-1440G10	901-3-S-1440G10	14.4	AWG 2/0	250	320

* Related to cables section

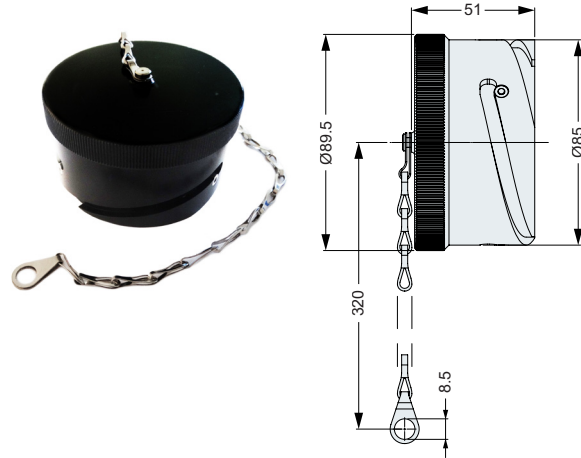
979-02TF6

Receptacle Connector Cap
with Stainless Steel Chain



979-06TF6

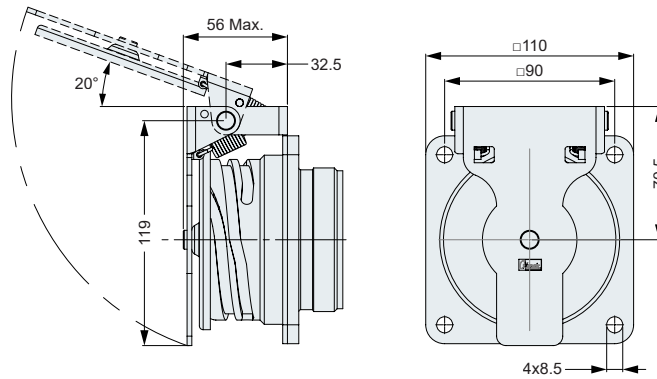
Plug Connector Cap
with Stainless Steel Chain



B

979-TM-B

Stainless Spring Cap for Receptacle Connector

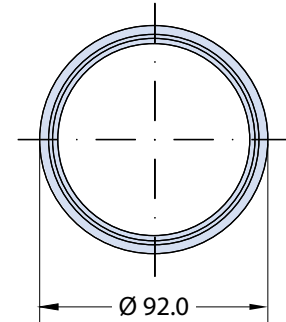
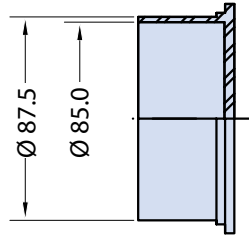


ITS 901 Series
Reverse Bayonet Multi Pole Power Connector
Accessories



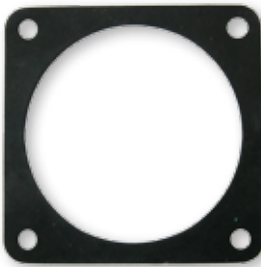
TP02-110

Receptacle Connector Protective Plastic Dust Cap

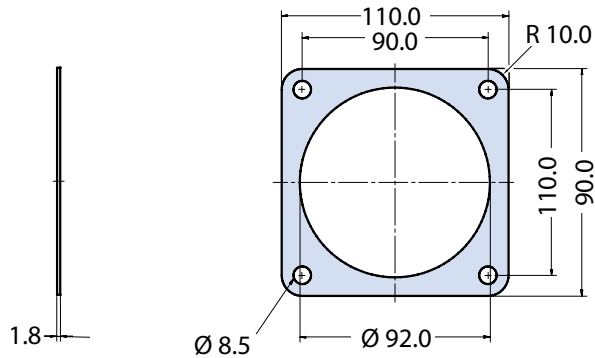


SP 979-46 (Non Conductive)

Connector Mounting Gasket - Front Mounted Square Flange Receptacle

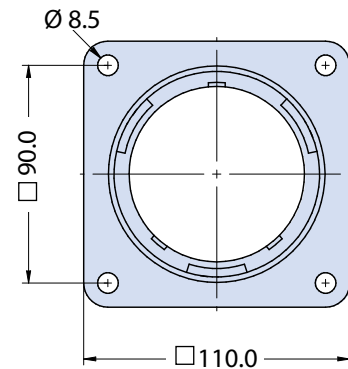
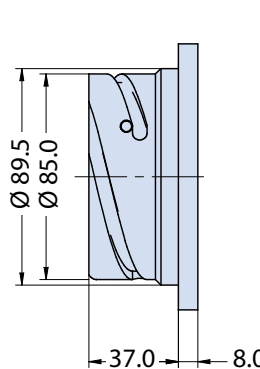


Gasket
Front Mounted

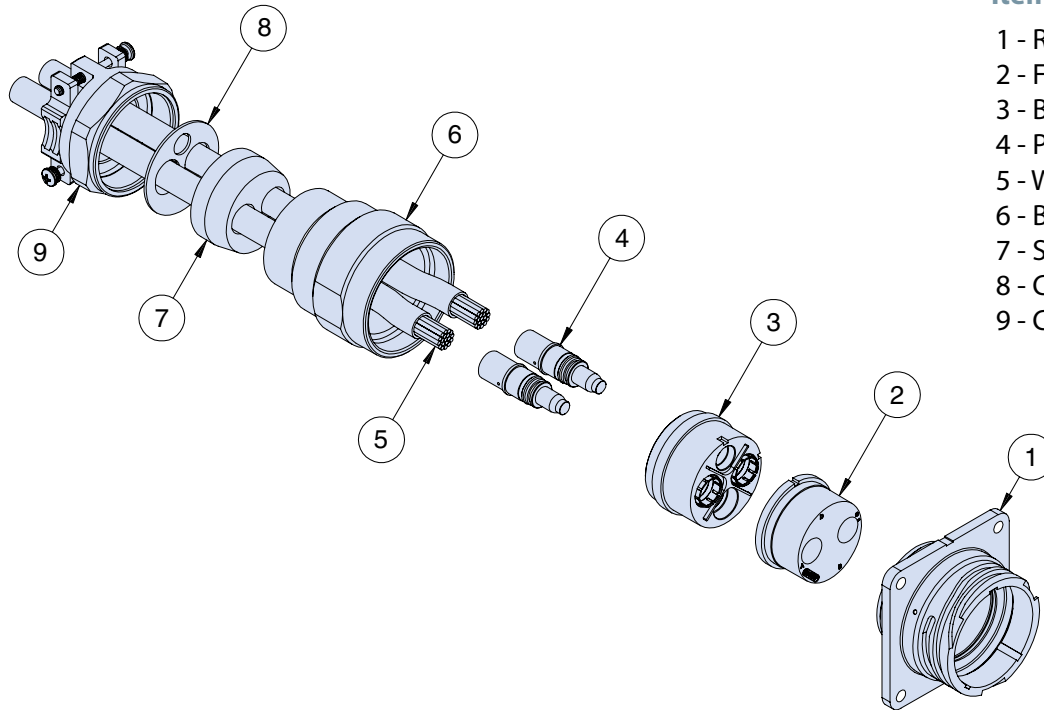


979 05-F6

Dummy Plug Storage Receptacle



Assembly Instructions - Receptacle Connector



Items Description

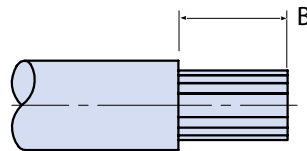
- 1 - Receptacle shell
- 2 - Front Male Insert
- 3 - Back Insert Group
- 4 - Pin Contacts
- 5 - Wires (Not Supplied)
- 6 - Backshell
- 7 - Sealing Grommet
- 8 - Compression Ring
- 9 - Cable Clamp

B

Step 1

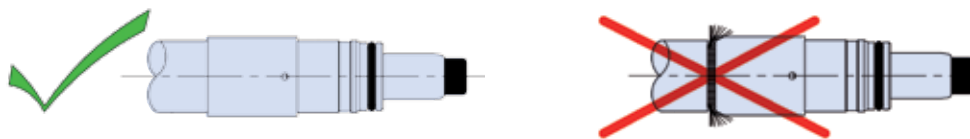
TABLE 5

Contact Type	B (mm)
1	12.7
2	14.0
3 (3A, 3B, 3C)	23.2
4 (4A, 4B, 4C)	23.2



Cut and strip the cable (See TABLE 5)

Step 2

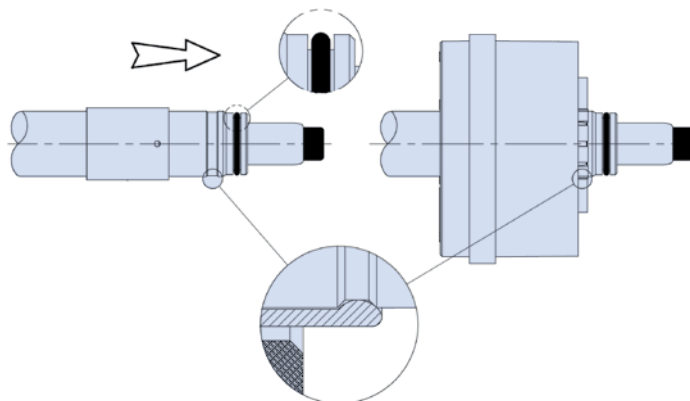


Crimp contacts (4) on conductors.

ITS 901 Series
Reverse Bayonet Multi Pole Power Connector
Assembly Instructions - Receptacle Connector

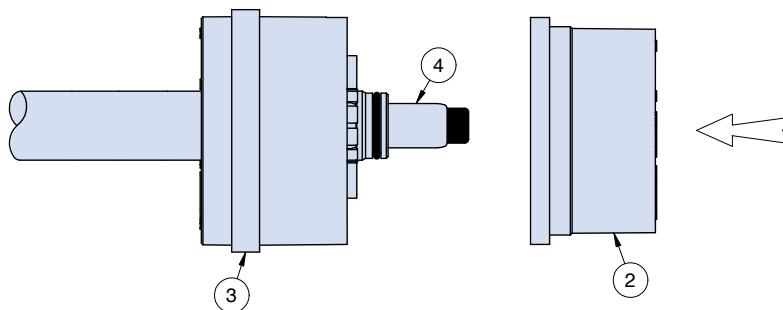


Step 3



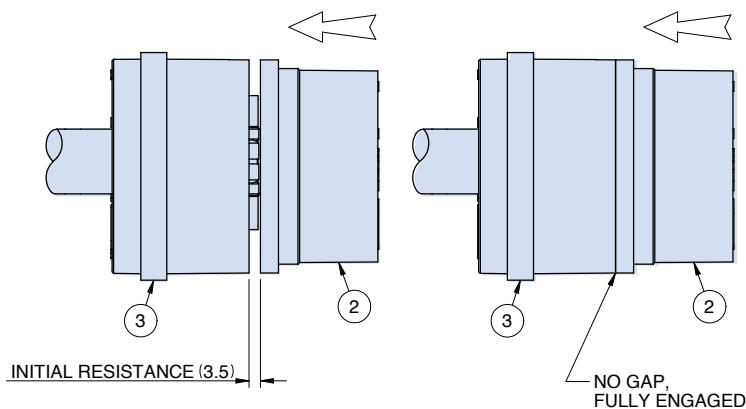
Insert the contact (4) crimped into the back insert (3) until to block in the retention clip.

Step 4



Close the front insert (2) to against the rear insert (3) and check that is assembled correctly per the picture below (Step 5).

Step 5



Put the insert into the receptacle shell (1), according with internal key. Screw the backshell (6) and tighten.

Torque force = 30 N/m .

Put the grommet (7) and the Compression Ring (8) into the backshell (6) and tighten the clamp.

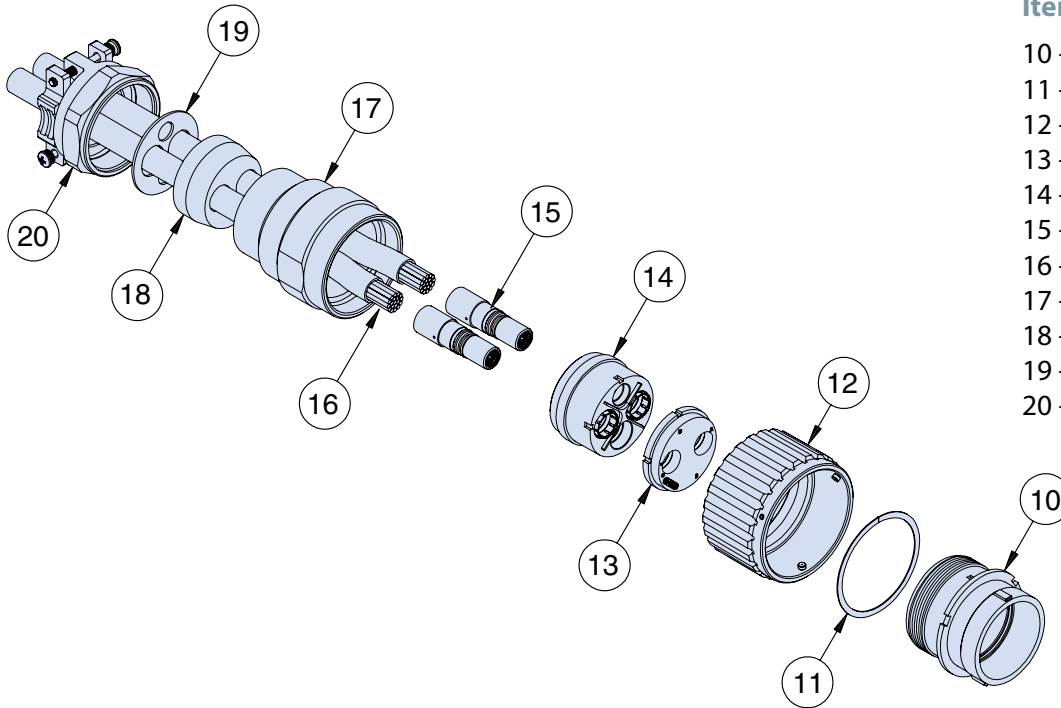
Torque force = 40 N/m .

Electrical Test: Insulation resistance 5000 Mohm (Min).

Test Voltage: 800 - 1000 Vdc (1 min.) according with the arrangement.

Assembly Instructions - Plug Connector

B



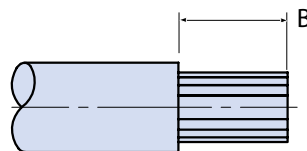
Items Description

- 10 - Plugshell
- 11 - Washer
- 12 - Coupling Nut
- 13 - Front Insert
- 14 - Back Insert Group
- 15 - Socket Contacts
- 16 - Wires (Not Supplied)
- 17 - Backshell
- 18 - Sealing Grommet
- 19 - Compression Ring
- 20 - Cable Clamp

Step 1

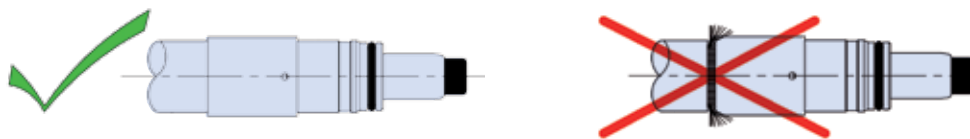
TABLE 5

Contact Type	B (mm)
1	12.7
2	14.0
3 (3A, 3B, 3C)	23.2
4 (4A, 4B, 4C)	23.2



Cut and strip the cable (See TABLE 5)

Step 2

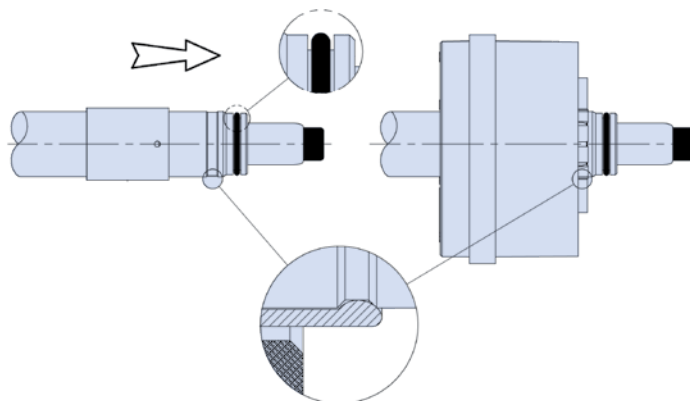


Crimp contacts (15) on conductors.

ITS 901 Series
Reverse Bayonet Multi Pole Power Connector
Assembly Instructions - Plug Connector

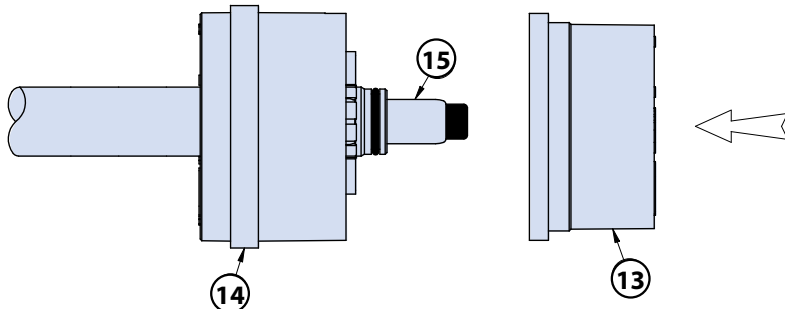


Step 3



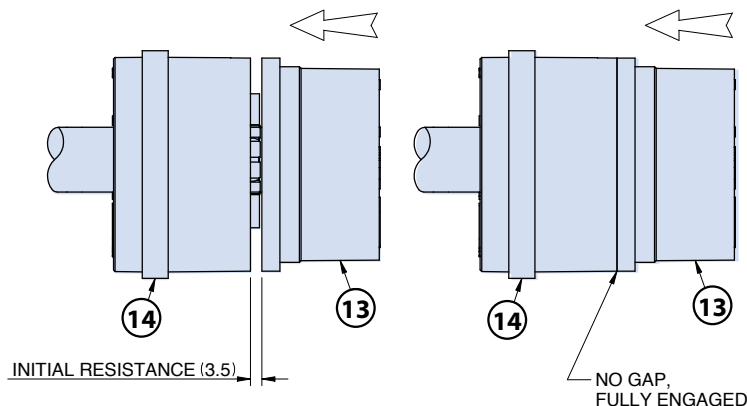
Insert the contact (15) crimped into the back insert (14) until to block in the retention clip.

Step 4



Close the back insert (14) to against the front insert (13) and check that is assembled correctly per the picture below (Step 5).

Step 5



Put the insert into the plugshell (10), according with internal key. Screw the backshell (17) and tighten.

Torque force = 30 N/m .

Put the grommet (18) and the Compression Ring (19) into the backshell (17) and tighten the clamp.

Torque force = 40 N/m .

Electrical Test: Insulation resistance 5000 Mohm (Min).

Test Voltage: 800 - 1000 Vdc (1 min.) according with the arrangement.

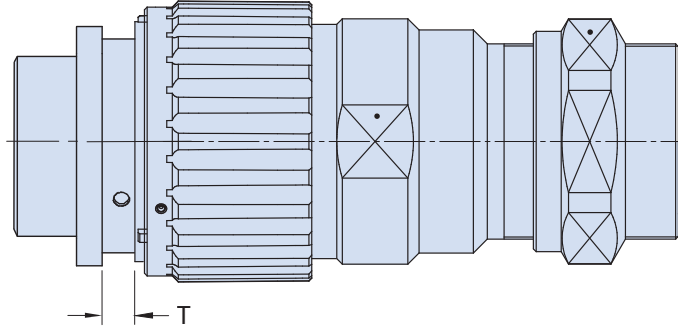


ITS 901 Series Reverse Bayonet Multi Pole Power Connector Panel Cut-Out Mounting Data

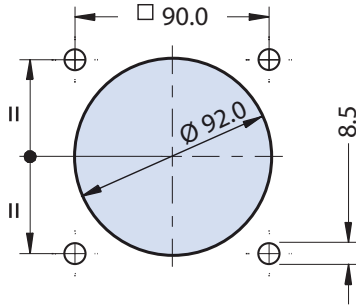
Panel Cut-Out and Panel Thickness

Maximum Panel Thickness for Rear Mount: $T = 12 \text{ mm}$

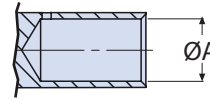
Maximum Panel Thickness with Spring Cap: $T = 9.5 \text{ mm}$



Panel Cutout



Contact Crimp Bucket



Crimping Table and Tools

Contact Type	Male Contact P/N	Female Contact P/N	Crimp Bucket - A - (mm)	Die (mm ²)	Crimping Tools	Tensile Strength (N)
1	901-1-PFT-550G10	901-1-S-550G10	5.5	M112026	M112004	1300
2	901-2-PFT-1150G10	901-2-S-1150G10	11.5	M112007	M112004	2800
3	901-3-PFT-1650G10	901-3-S-1650G10	16.5	M105033	M105013	4200
4	901-4-PFT-1780G10	901-4-S-1780G10	17.8	M105052	M105013	4700
3A	901-3-PFT-1440G10	901-3-S-1440G10	14.4	M112012	M105013	3000
3B	901-3-PFT-1440G10	901-3-S-1440G10	14.4	M105253	M105013	3300
3C	901-3-PFT-1150G10	901-3-S-1150G10	11.5	M112007	M112004	2800
4A	901-3-PFT-1650G10	901-3-S-1650G10	16.5	M105033	M105013	4200
4B	901-3-PFT-1440G10	901-3-S-1440G10	14.4	M112012	M105013	3300
4C	901-3-PFT-1440G10	901-3-S-1440G10	14.4	M105253	M105013	3000



Oleodynamic Crimp Tool



Die for Oleodynamic Crimp Tool

For further Crimping steps details, please contact the factory.

ITS 901 Series
Reverse Bayonet Multi Pole Power Connector
Security Instructions



WARNING

FAILURE TO FOLLOW THESE INSTRUCTIONS MAY RESULT IN DAMAGE TO EQUIPMENT, SERIOUS PERSONAL INJURY OR EVEN DEATH.

It is the user's responsibility to ensure these products are used safely. Glenair, Inc., including all Glenair, Inc. subsidiaries, is NOT responsible for damage to equipment, personal injury or death from use of Glenair, Inc. products.

Only qualified electrical technicians should use interconnection products in high voltage and other electrical conditions.

Interconnection products must be clean and dry when installed. Mating and de-mating should never occur under load.

Damaged interconnection products must be replaced immediately by a trained electrical technician.

Glenair, Inc. reserves the right to modify this Warning, any other warning, all catalogs, glenair.com website, and any other technical information with or without notice.

For further information and technical assistance, please contact your local Glenair Sales Office or see our website: **www.glenair.com**



ITS 500 Series Reverse Bayonet Single Pole Power Connector Introduction

New York MTA

Glenair is proud to supply connectors and interconnect systems for various programs for the New York MTA.

Glenair interconnects are employed on critical Traction Motor System and Intercar Jumper applications on the M8 EMU Railcars supplied by Kawasaki for Metro North Railroad.



The M8 is an electric multiple unit (EMU) railroad car built by Kawasaki for use on the New Haven Line of the Metro-North Railroad. Photo: office of Dannel Malloy

Glenair has also supplied product for numerous applications on the Long Island Railroad / Metro North M9 cars such as Traction Motor Systems, Intercar Jumpers, Lighting, Communication, HVAC, Converters, as well as others.



The EMU M9 railcars will replace the M-3 fleet and expand the electric fleet for East Side Access.

We continue to supply a wide array of connectors and conduit assemblies direct to NYCT for various maintenance work being done on a number of their railcars from various projects.

The new AnsaldoBreda/Firema Meneghino train for Milan, Italy

The Meneghino is a new six-car dual-voltage train for the *Metropolitana Milanese* (Milan underground). It belongs to the "MNG" (*Metropolitana di Nuova Generazione* or *Metro New Generation*) family. The MNG is designed and manufactured in cooperation with Ansaldo Breda, a premier Italian rail transport and engineering company. Each train is built with two identical traction units, in the "Rp-M-M" configuration: Each unit includes one trailer coach (Rp) equipped with a driver's cab, and two intermediate motor coaches (M) without a driver's cab.



The new AnsaldoBreda/Firema Meneghino train for Milan, Italy

The electrically - controlled passenger doors (8 on each coach) grant a high reliability standard and very low maintenance. The train is equipped with a highly advanced Passengers' Audio/ Video Information System. With this system, passengers receive informational messages and video regarding train service, broadcast directly to LCD monitors in each compartment.

Glenair is a major contributor of connectors and interconnect systems for this advanced metropolitan train.

ITS 500 Series
Reverse Bayonet Single Pole Power Connector
Technical Characteristics



ITS 500 Series derives from an important Military Specification for Power Connectors: VG96929. Suitable for harsh environmental conditions, ITS 500 accepts cable gauges AWG 3/0 to 444MCM (95-240 mmq), for current up to 750 Amp.

Special insulator drawing allows high working voltage, up to 3000 Vcc.

Suitable for jacketed cables, with or without conduit protection.

Receptacle with finger protection (Load side).

ITS 500 meets the most important rail requirements and specifications:

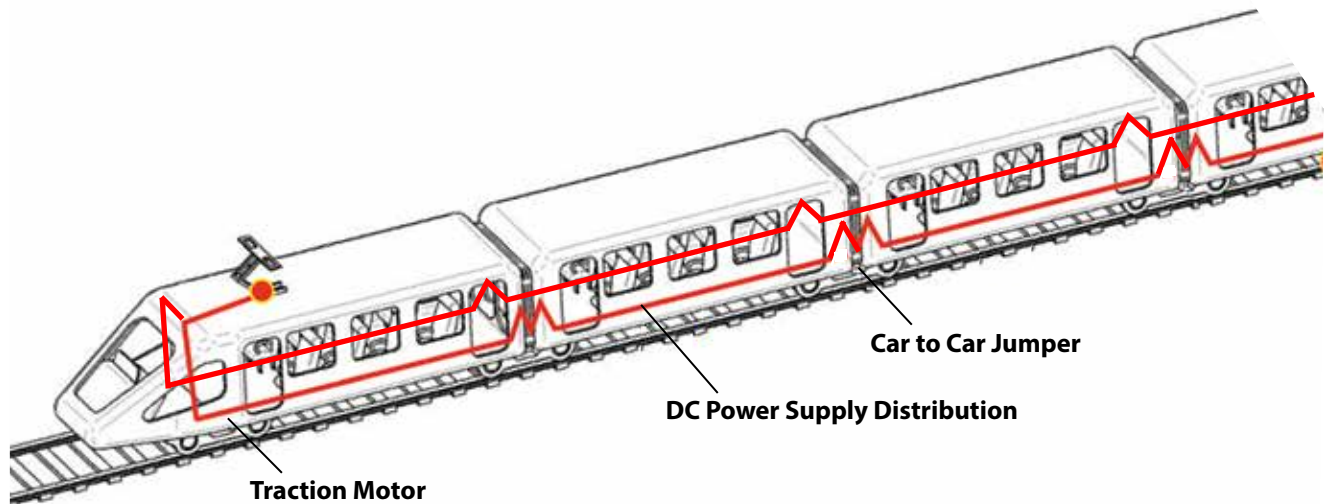
- 500 Mating Cycles;
- Salt Spray Test Corrosion: 500 hours;
- Shock and Vibrations for Under-Car and Car-To-Car Applications;
- IP67 Sealing (Coupled Connectors);
- Fire Resistant and RoHS Compliant Materials.



Plug Connector



Receptacle Connector



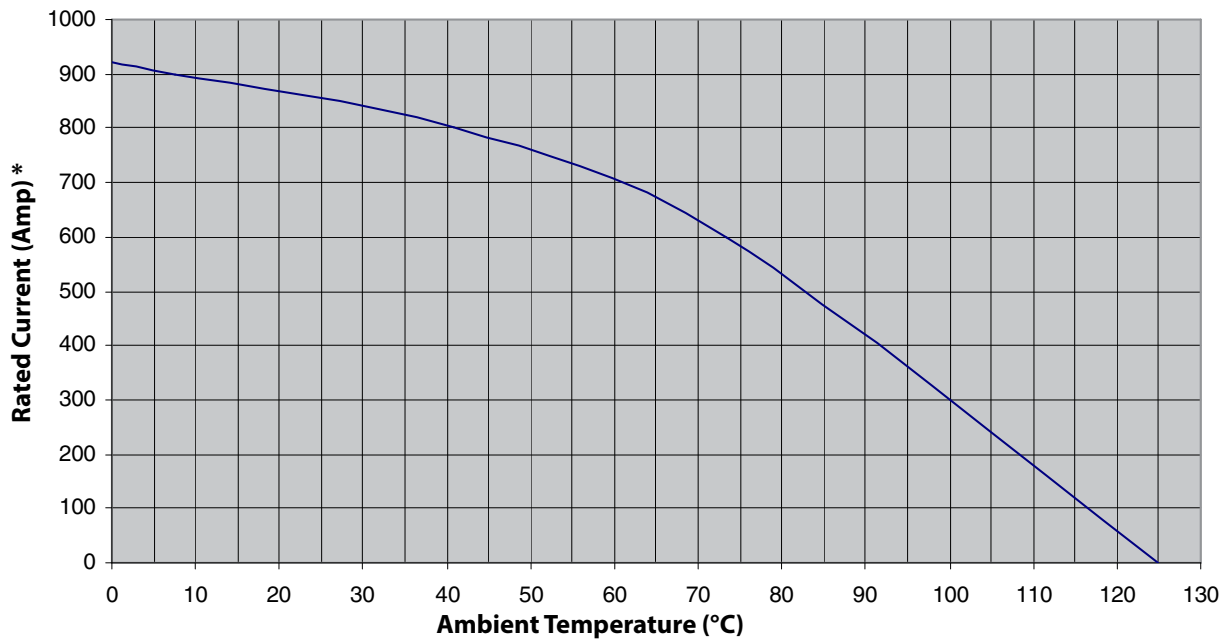


ITS 500 Series Introducing the Single Pole Power Connector Technical Characteristics

Procedures Table

Description	Procedure
Electrical Characteristics	CEI EN 50124 and CEI EN 60077
Environmental Conditions	CEI EN 50125
Water Protection	CEI EN 60529
Shock and Vibration	CEI EN 61373
Corrosion Protection	VG 95210 - 2
Fire Protection	UNI CEI 1170 - 3
Mating Cycles	VG96929

Rated Current Graphic



* According with Cables Section

Minimum Creepage Distance: 39 mm (Contact to Contact and Contact to Ground)

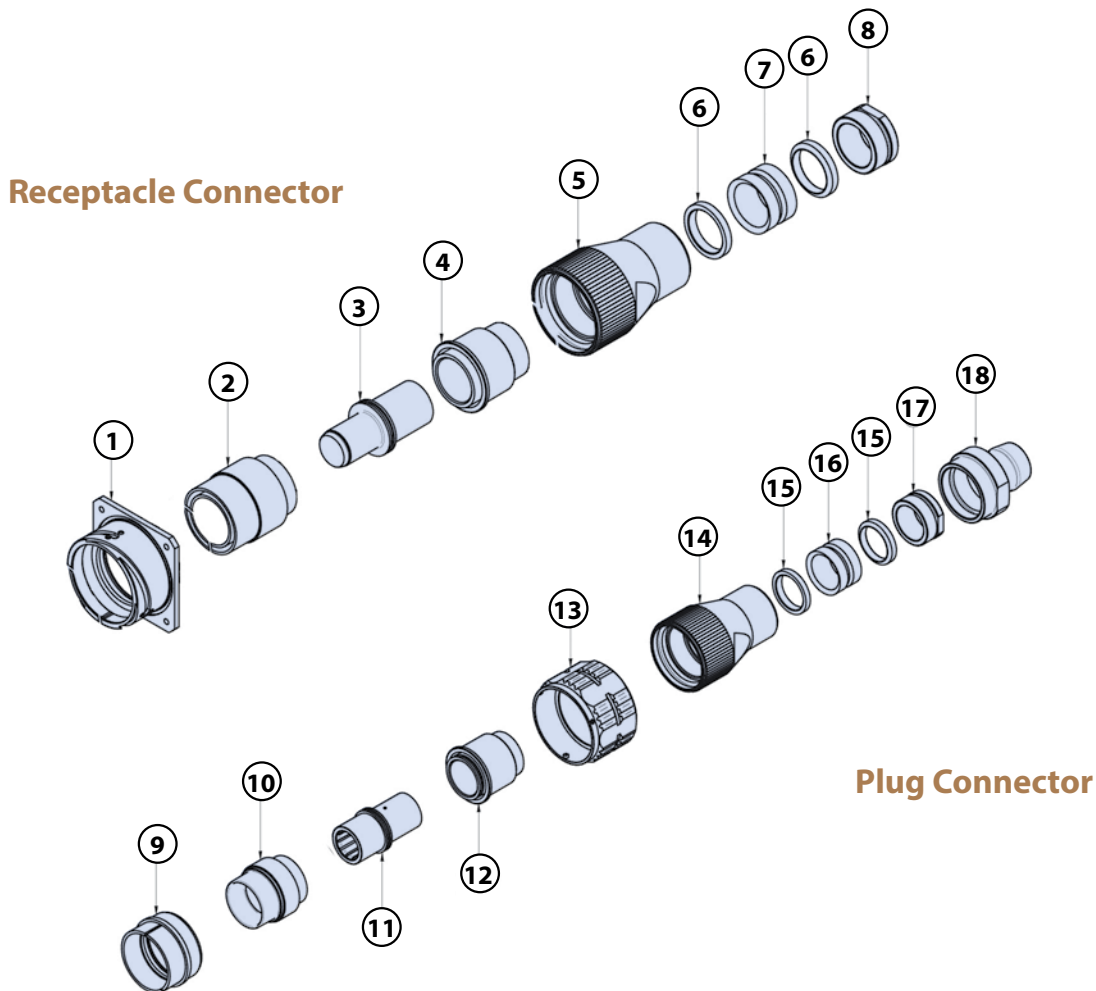
Minimum Clearance in Air: 18 mm (Contact to Contact and Contact to Ground)

ITS 500 Series
Reverse Bayonet Single Pole Power Connector
Components Exploded View



ITS 500
Connectors

ITS 500 Components Exploded View



Receptacle Connector

Plug Connector

Receptacle Connector

- 1 - Receptacle Shell
- 2 - Front Male Insert
- 3 - Male Contact
- 4 - Rear Insert
- 5 - Backshell
- 6 - Compression Ring
- 7 - Grommet
- 8 - Clamp

Plug Connector

- 9 - Straight Plug Shell
- 10 - Front Female Insert
- 11 - Female Contact
- 12 - Rear Insert
- 13 - Coupling Nut
- 14 - Backshell
- 15 - Compression Ring
- 16 - Grommet
- 17 - Clamp
- 18 - Rubber Conduit Adapter



ITS 500 Series

Introducing the Single Pole Power Connector

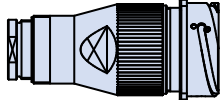
Available Configurations

Available Configurations

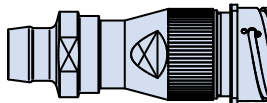
Receptacle Connectors Weight: 850.0 gr

ITS 500 00

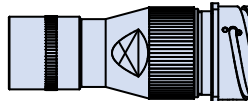
Front Mount



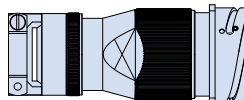
ITS500 00 - GA



ITS500 00 - GB



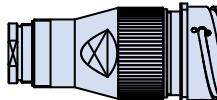
ITS500 00 - GC



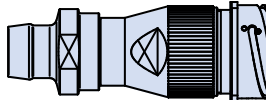
ITS500 00 - GE

ITS 500 030

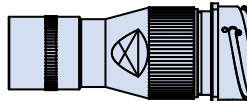
Rear Mount



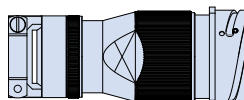
ITS500 030 - GA



ITS500 030 - GB



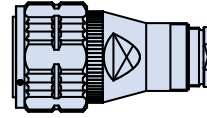
ITS500 030 - GC



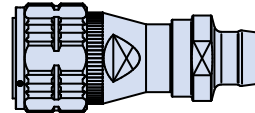
ITS500 030 - GE

Plug Connectors Weight: 850.0 gr

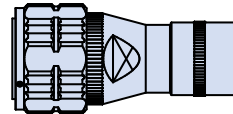
ITS 500 06



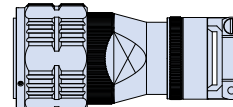
ITS500 06 - GA



ITS500 06 - GB



ITS500 06 - GC



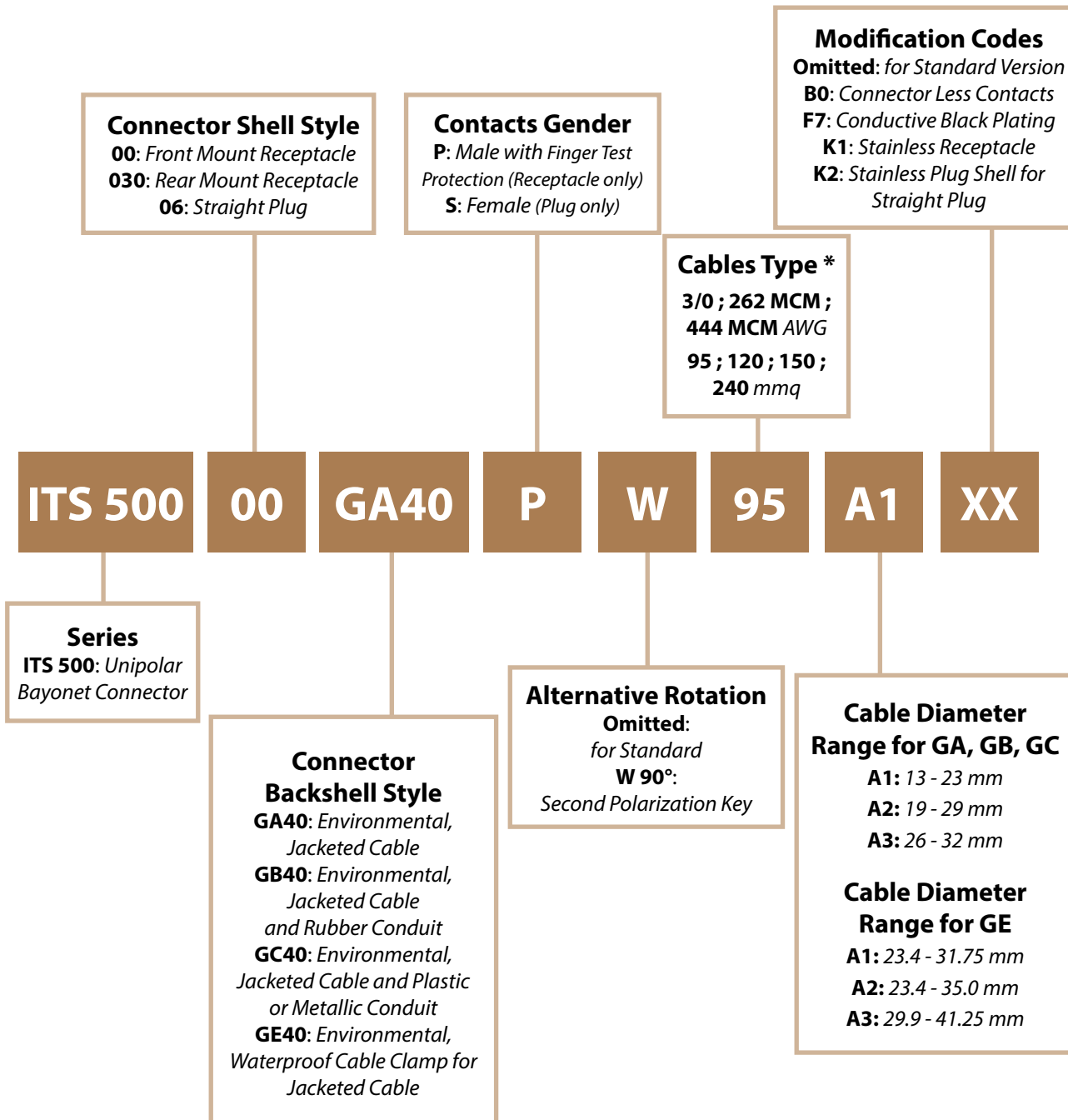
ITS500 06 - GE

Backshell	Description
GA	Jacketed Cable Clamp
GB	Cable Clamp and Rubber Conduit
GC	Cable Clamp and Plastic or Metallic Metric Conduit
GE	Waterproof Cable Clamp for Jacketed Cable

ITS 500 Series
Reverse Bayonet Single Pole Power Connector
How to Order - Part Number Breakdown



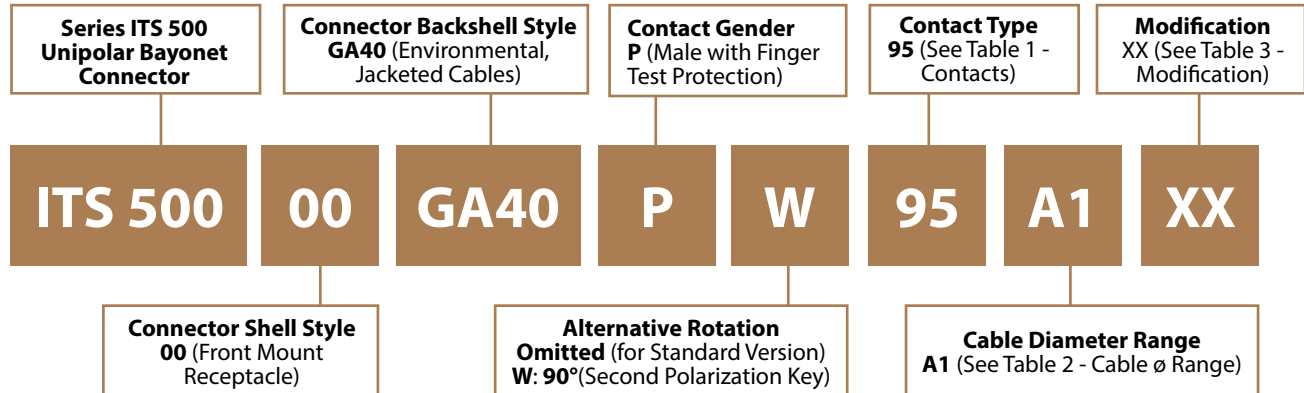
How to Order - Part Number Breakdown



* For different cable dimensions, please contact the factory.



ITS 500 00 Series Front Panel Mount Square Flange Receptacle Assembly for Jacketed Cables



Application Notes

- Front mount receptacle with backshell for jacketed cable. RoHS Compliant.
- Working voltage: 3000 Vcc.
- Test voltage: 10.000 Vdc / 7.000 Vac (1 min.).
- Water proof : IP67 level (coupled connectors).
- Contact resistance: 0.2 mOhm Max
- Temperature range: -55 +125°C.
- Contact: copper alloy with silver plating.
- Insulator: black thermoplastic resin according with UL94V0-NFF16-102:I2F1 (Exigency 4).
- Shells: Aluminium alloy with electrodeposited black paint.

**ITS 500 00 Series
Front Panel Mount Square Flange Receptacle
Assembly for Jacketed Cables**



ITS 500
Connectors

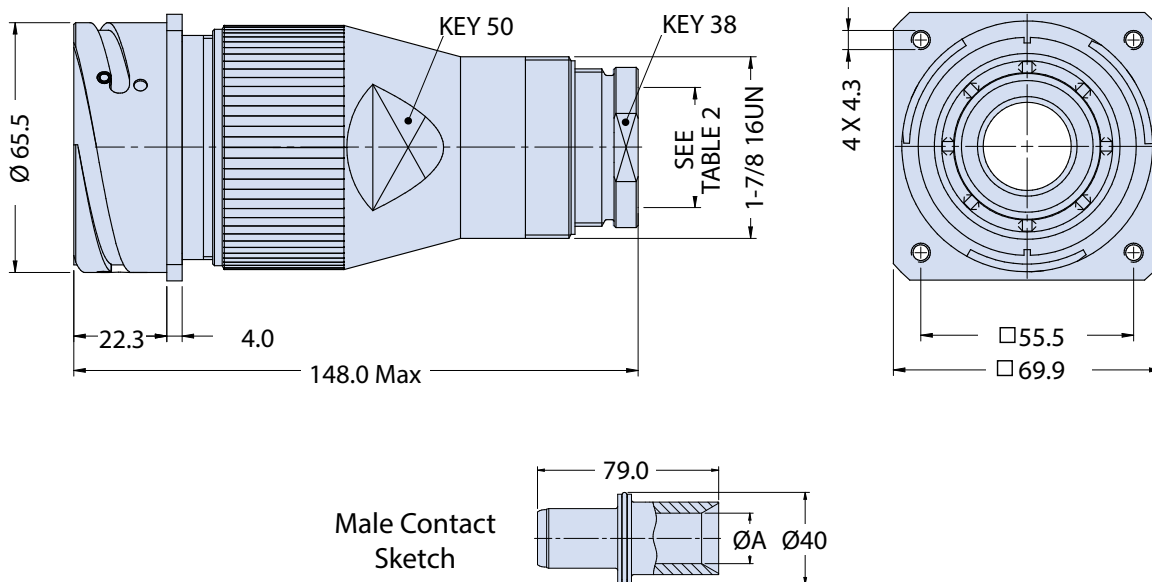


TABLE 1 - CONTACTS

Contact Type	Contact Gender	Contact P/N	Cable AWG *	Cable Section (mmq)	Working Current (A) **	Max Current (A) **	Conductor Min. Ø (mm)	Conductor Max Ø (mm)	Crimp Bucket - ØA - (mm)
95	Male	ITS 500-1420PG10	3/0	95	350	400	12.5	14.0	14.2
120	Male	ITS500-1600PG10	-	120	450	500	14.2	15.5	16.0
262 MCM	Male	ITS500-1750PG10	262 MCM	-	450	520	15.8	16.5	17.5
150	Male	ITS500-1750PG10	-	150	550	630	15.8	16.5	17.5
185	Male	ITS500-1950PG10	-	185	600	680	16.9	18.4	19.5
444 MCM	Male	ITS500-2200PG10	444 MCM	-	640	735	19.6	21.1	22.0
240	Male	ITS500-2200PG10	-	240	750	800	19.6	21.1	22.0
535 MCM	Male	ITS500-250PG10	535 MCM	-	750	800	21.0	24.0	25.0

* For different cable dimensions, please contact the factory.

** Related to cables ampacity.

TABLE 2 - CABLE Ø RANGE

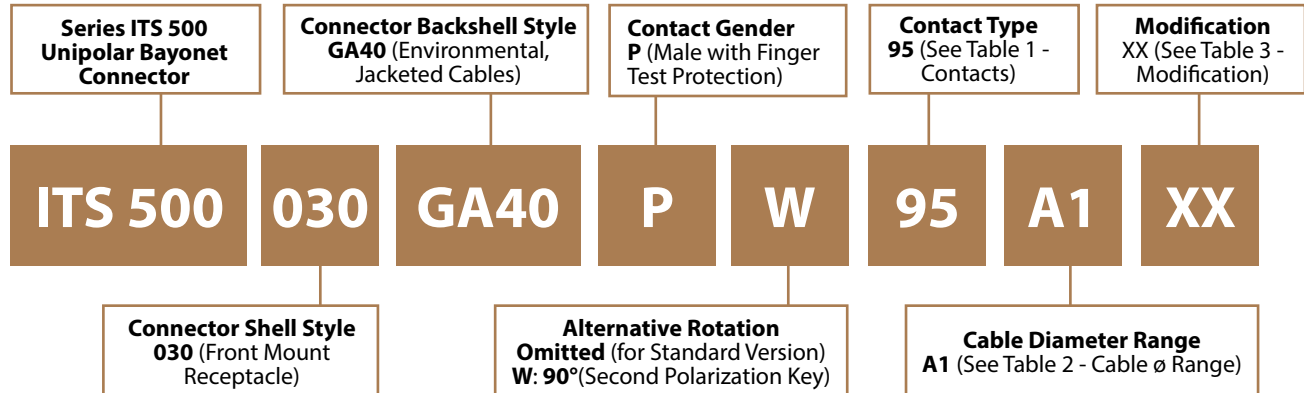
Cable Range Code	Min. Cable Ø	Max. Cable Ø
A1	13	23
A2	19	29
A3	26	32

TABLE 3 - MODIFICATION CODES

Name	Modification
Omitted	Standard
B0	Connector Less Contacts
F7	Conductive Black Plating
K1	Stainless Receptacle
K2	Stainless Plug Shell for Straight Plug



ITS 500 030 Series Rear Panel Mount Square Flange Receptacle Assembly for Jacketed Cables



Application Notes

- Rear mount receptacle with backshell for jacketed cable. RoHS Compliant.
- Working voltage: 3000 Vcc.
- Test voltage: 10.000 Vdc / 7.000 Vac (1 min.).
- Water proof : IP67 level (coupled connectors).
- Contact resistance: 0.2 mOhm Max
- Temperature range: -55 +125°C.
- Contact: copper alloy with silver plating.
- Insulator: black thermoplastic resin according with UL94V0-NFF16-102:I2F1 (Exigency 4).
- Shells: Aluminium alloy with electrodeposited black paint.

**ITS 500 030 Series
Rear Panel Mount Square Flange Receptacle
Assembly for Jacketed Cables**

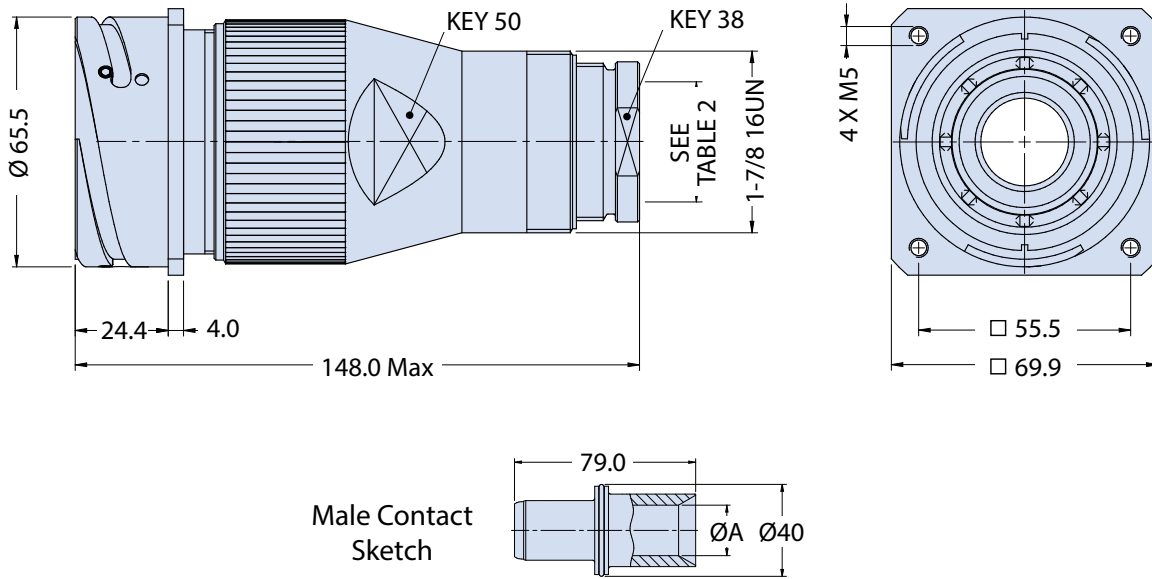


TABLE 1 - CONTACTS

Contact Type	Contact Gender	Contact P/N	Cable AWG *	Cable Section (mmq)	Working Current (A) **	Max Current (A) **	Conductor Min. Ø (mm)	Conductor Max Ø (mm)	Crimp Bucket - ØA - (mm)
95	Male	ITS 500-1420PG10	3/0	95	350	400	12.5	14.0	14.2
120	Male	ITS500-1600PG10	-	120	450	500	14.2	15.5	16.0
262 MCM	Male	ITS500-1750PG10	262 MCM	-	450	520	15.8	16.5	17.5
150	Male	ITS500-1750PG10	-	150	550	630	15.8	16.5	17.5
185	Male	ITS500-1950PG10	-	185	600	680	16.9	18.4	19.5
444 MCM	Male	ITS500-2200PG10	444 MCM	-	640	735	19.6	21.1	22.0
240	Male	ITS500-2200PG10	-	240	750	800	19.6	21.1	22.0
535 MCM	Male	ITS500-250PG10	535 MCM	-	750	800	21.0	24.0	25.0

* For different cable dimensions, please contact the factory.

** Related to cables ampacity.

TABLE 2 - CABLE Ø RANGE

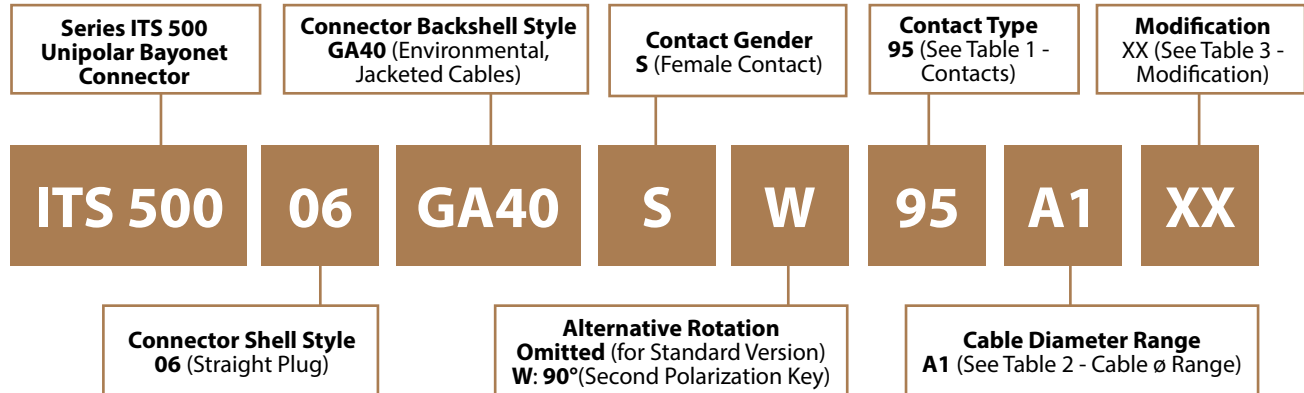
Cable Range Code	Min. Cable Ø	Max. Cable Ø
A1	13	23
A2	19	29
A3	26	32

TABLE 3 - MODIFICATION CODES

Name	Modification
Omitted	Standard
B0	Connector Less Contacts
F7	Conductive Black Plating
K1	Stainless Receptacle
K2	Stainless Plug Shell for Straight Plug



ITS 500 06 Series Straight Cylindrical Plug Assembly for Jacketed Cables



Application Notes

- Straight cylindrical plug with backshell for jacketed cable. RoHS Compliant.
- Working voltage: 3000 Vcc.
- Test voltage: 10.000 Vdc / 7.000 Vac (1 min.).
- Water proof : IP67 level (coupled connectors).
- Contact resistance: 0.2 mOhm Max
- Temperature range: -55 +125°C.
- Contact: copper alloy with silver plating.
- Insulator: black thermoplastic resin according with UL94V0-NFF16-102:I2F1 (Exigency 4).
- Shells: Aluminium alloy with electrodeposited black paint.

ITS 500 06 Series
Straight Cylindrical Plug
Assembly for Jacketed Cables

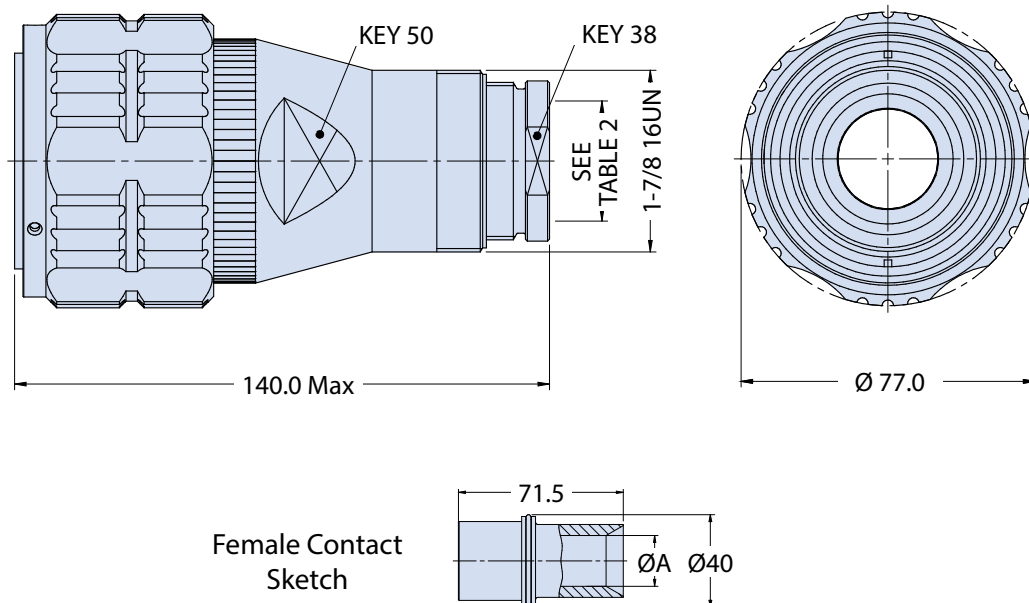
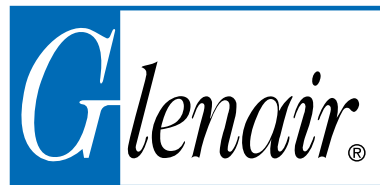


TABLE 1 - CONTACTS

Contact Type	Contact Gender	Contact P/N	Cable AWG *	Cable Section (mmq)	Working Current (A) **	Max Current (A) **	Conductor Min. Ø (mm)	Conductor Max Ø (mm)	Crimp Bucket - ØA - (mm)
95	Female	ITS 500-1420SG10	3/0	95	350	400	12.5	14.0	14.2
120	Female	ITS500-1600SG10	-	120	450	500	14.2	15.5	16.0
262 MCM	Female	ITS500-1750SG10	262 MCM	-	450	520	15.8	16.5	17.5
150	Female	ITS500-1750SG10	-	150	550	630	15.8	16.5	17.5
185	Female	ITS500-1950SG10	-	185	600	680	16.9	18.4	19.5
444 MCM	Female	ITS500-2200SG10	444 MCM	-	640	735	19.6	21.1	22.0
240	Female	ITS500-2200SG10	-	240	750	800	19.6	21.1	22.0
535 MCM	Female	ITS500-250SG10	535 MCM	-	750	800	21.0	24.0	25.0

* For different cable dimensions, please contact the factory.

** Related to cables ampacity.

TABLE 2 - CABLE Ø RANGE

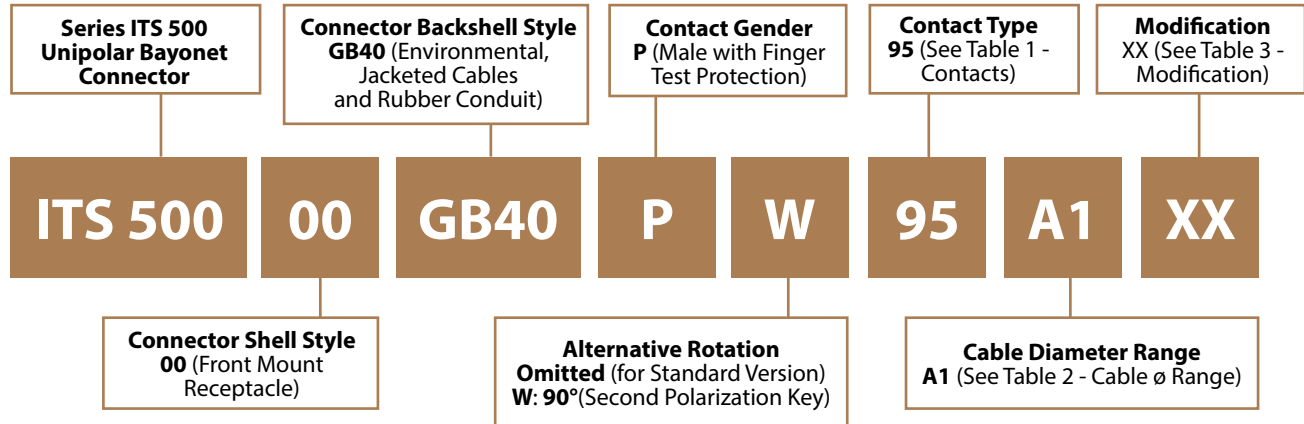
Cable Range Code	Min. Cable Ø	Max. Cable Ø
A1	13	23
A2	19	29
A3	26	32

TABLE 3 - MODIFICATION CODES

Name	Modification
Omitted	Standard
B0	Connector Less Contacts
F7	Conductive Black Plating
K1	Stainless Receptacle
K2	Stainless Plug Shell for Straight Plug



ITS 500 00 Series Front Panel Mount Square Flange Receptacle Assembly for Jacketed Cables and Rubber Conduit



Application Notes

- Front mount receptacle with backshell for jacketed cable and rubber conduit, blocked with stainless clamping band not supplied with connector. RoHS Compliant.
- Working voltage: 3000 Vcc.
- Test voltage: 10.000 Vdc / 7.000 Vac (1 min.).
- Water proof : IP67 level (coupled connectors).
- Contact resistance: 0.2 mOhm Max
- Temperature range: -55 +125°C.
- Contact: copper alloy with silver plating.
- Insulator: black thermoplastic resin according with UL94V0-NFF16-102:I2F1 (Exigency 4).
- Shells: Aluminium alloy with electrodeposited black paint.

ITS 500 00 Series
Front Panel Mount Square Flange Receptacle
Assembly for Jacketed Cables and Rubber Conduit

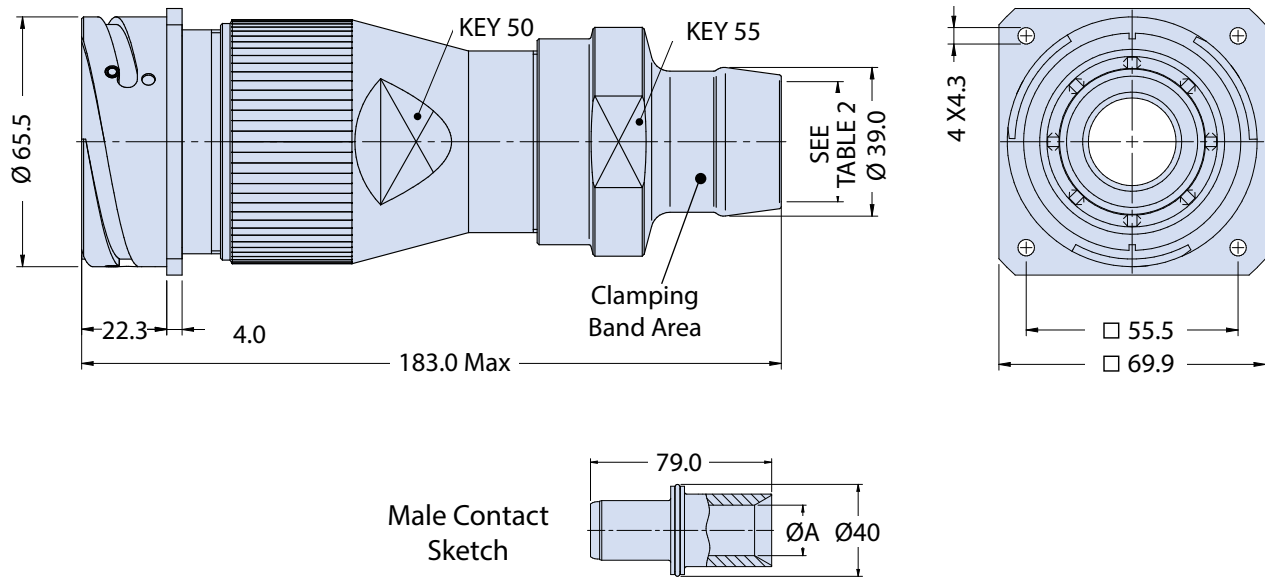


TABLE 1 - CONTACTS

Contact Type	Contact Gender	Contact P/N	Cable AWG *	Cable Section (mmq)	Working Current (A) **	Max Current (A) **	Conductor Min. Ø (mm)	Conductor Max Ø (mm)	Crimp Bucket - ØA - (mm)
95	Male	ITS 500-1420PG10	3/0	95	350	400	12.5	14.0	14.2
120	Male	ITS500-1600PG10	-	120	450	500	14.2	15.5	16.0
262 MCM	Male	ITS500-1750PG10	262 MCM	-	450	520	15.8	16.5	17.5
150	Male	ITS500-1750PG10	-	150	550	630	15.8	16.5	17.5
185	Male	ITS500-1950PG10	-	185	600	680	16.9	18.4	19.5
444 MCM	Male	ITS500-2200PG10	444 MCM	-	640	735	19.6	21.1	22.0
240	Male	ITS500-2200PG10	-	240	750	800	19.6	21.1	22.0
535 MCM	Male	ITS500-250PG10	535 MCM	-	750	800	21.0	24.0	25.0

* For different cable dimensions, please contact the factory.

** Related to cables ampacity.

TABLE 2 - CABLE Ø RANGE

Cable Range Code	Min. Cable Ø	Max. Cable Ø
A1	13	23
A2	19	29
A3	26	32

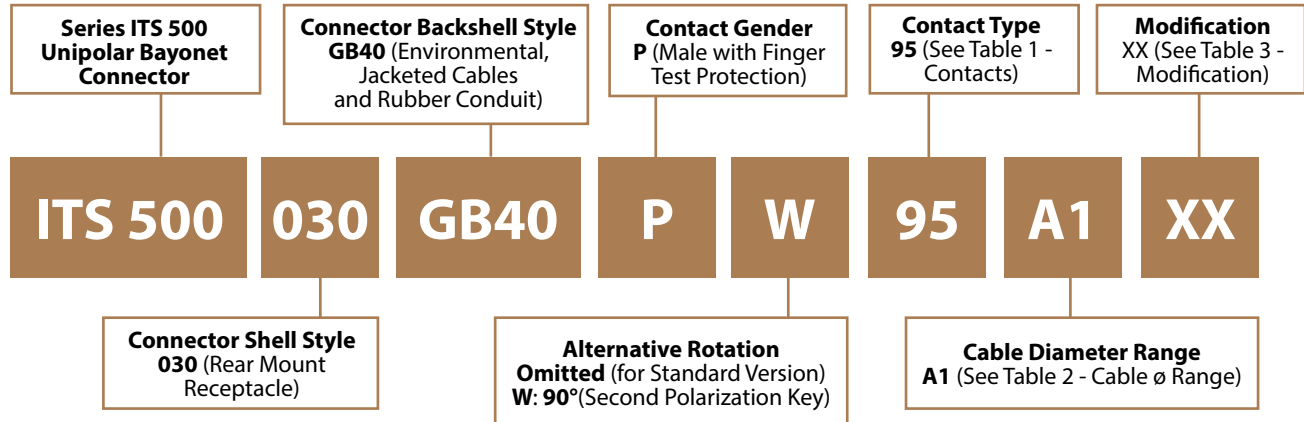
TABLE 3 - MODIFICATION CODES

Name	Modification
Omitted	Standard
B0	Connector Less Contacts
F7	Conductive Black Plating
K1	Stainless Receptacle
K2	Stainless Plug Shell for Straight Plug



ITS 500 030 Series

Rear Panel Mount Square Flange Receptacle Assembly for Jacketed Cables and Rubber Conduit



Application Notes

- Rear mount receptacle with backshell for jacketed cable and rubber conduit, blocked with stainless clamping band not supplied with connector. RoHS Compliant.
- Working voltage: 3000 Vcc.
- Test voltage: 10.000 Vdc / 7.000 Vac (1 min.).
- Water proof : IP67 level (coupled connectors).
- Contact resistance: 0.2 mOhm Max
- Temperature range: -55 +125°C.
- Contact: copper alloy with silver plating.
- Insulator: black thermoplastic resin according with UL94V0-NFF16-102:I2F1 (Exigency 4).
- Shells: Aluminium alloy with electrodeposited black paint.

ITS 500 030 Series
Rear Panel Mount Square Flange Receptacle
Assembly for Jacketed Cables and Rubber Conduit

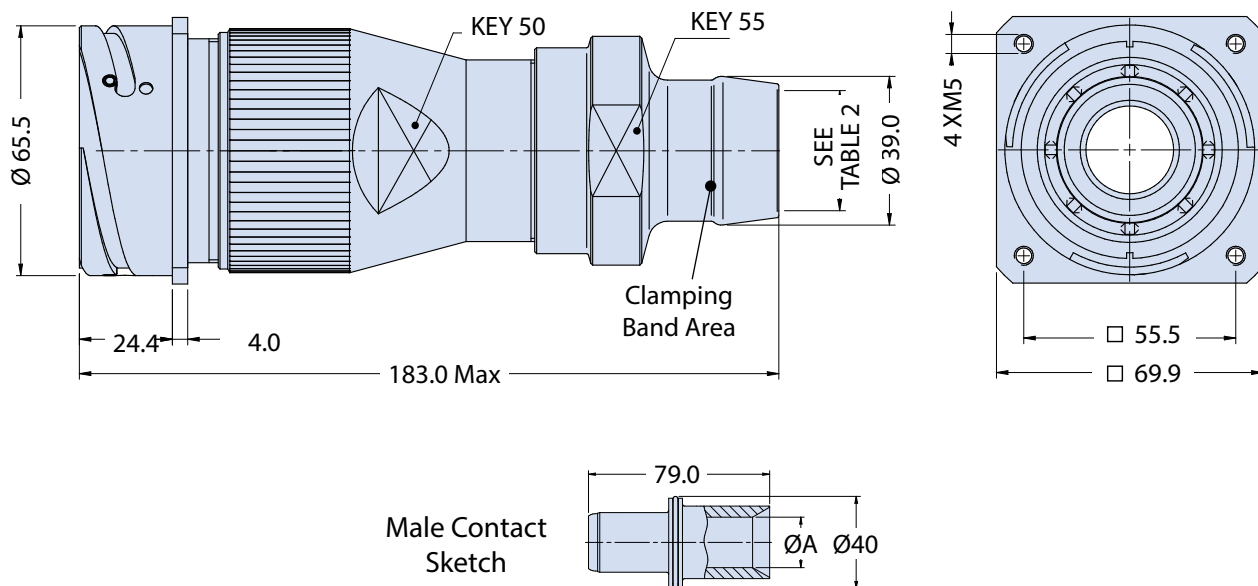


TABLE 1 - CONTACTS

Contact Type	Contact Gender	Contact P/N	Cable AWG *	Cable Section (mmq)	Working Current (A) **	Max Current (A) **	Conductor Min. Ø (mm)	Conductor Max Ø (mm)	Crimp Bucket - ØA - (mm)
95	Male	ITS 500-1420PG10	3/0	95	350	400	12.5	14.0	14.2
120	Male	ITS500-1600PG10	-	120	450	500	14.2	15.5	16.0
262 MCM	Male	ITS500-1750PG10	262 MCM	-	450	520	15.8	16.5	17.5
150	Male	ITS500-1750PG10	-	150	550	630	15.8	16.5	17.5
185	Male	ITS500-1950PG10	-	185	600	680	16.9	18.4	19.5
444 MCM	Male	ITS500-2200PG10	444 MCM	-	640	735	19.6	21.1	22.0
240	Male	ITS500-2200PG10	-	240	750	800	19.6	21.1	22.0
535 MCM	Male	ITS500-250PG10	535 MCM	-	750	800	21.0	24.0	25.0

* For different cable dimensions, please contact the factory.

** Related to cables ampacity.

TABLE 2 - CABLE Ø RANGE

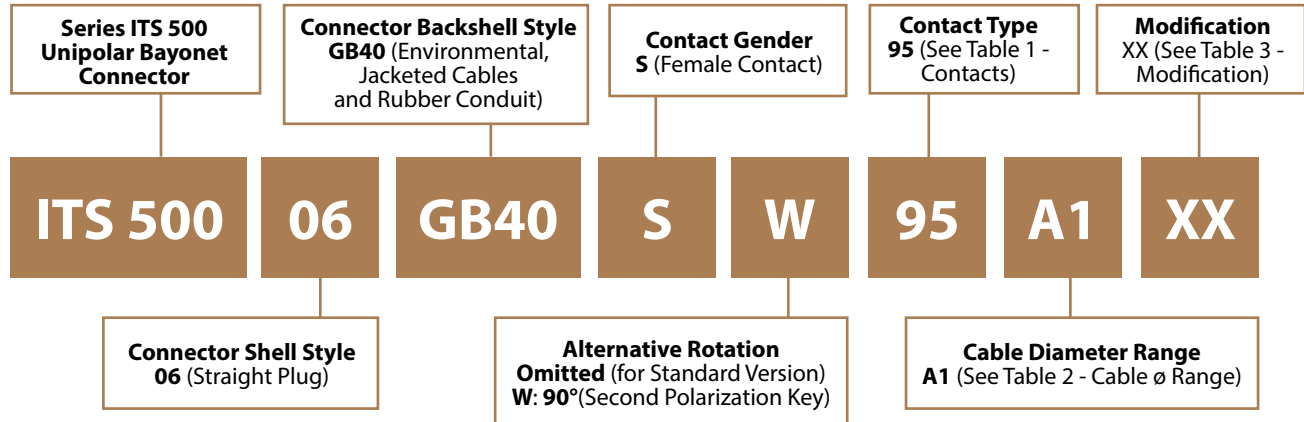
Cable Range Code	Min. Cable Ø	Max. Cable Ø
A1	13	23
A2	19	29
A3	26	32

TABLE 3 - MODIFICATION CODES

Name	Modification
Omitted	Standard
B0	Connector Less Contacts
F7	Conductive Black Plating
K1	Stainless Receptacle
K2	Stainless Plug Shell for Straight Plug



ITS 500 06 Series Straight Cylindrical Plug Assembly for Jacketed Cables and Rubber Conduit



Application Notes

- Straight cylindrical plug with backshell for jacketed cable and rubber conduit, blocked with stainless clamping band not supplied with connector. RoHS Compliant.
- Working voltage: 3000 Vcc.
- Test voltage: 10.000 Vdc / 7.000 Vac (1 min.).
- Water proof : IP67 level (coupled connectors).
- Contact resistance: 0.2 mOhm Max
- Temperature range: -55 +125°C.
- Contact: copper alloy with silver plating.
- Insulator: black thermoplastic resin according with UL94V0-NFF16-102:I2F1 (Exigency 4).
- Shells: Aluminium alloy with electrodeposited black paint.

**ITS 500 06 Series
Straight Cylindrical Plug
Assembly for Jacketed Cables and Rubber Conduit**



ITS 500
Connectors

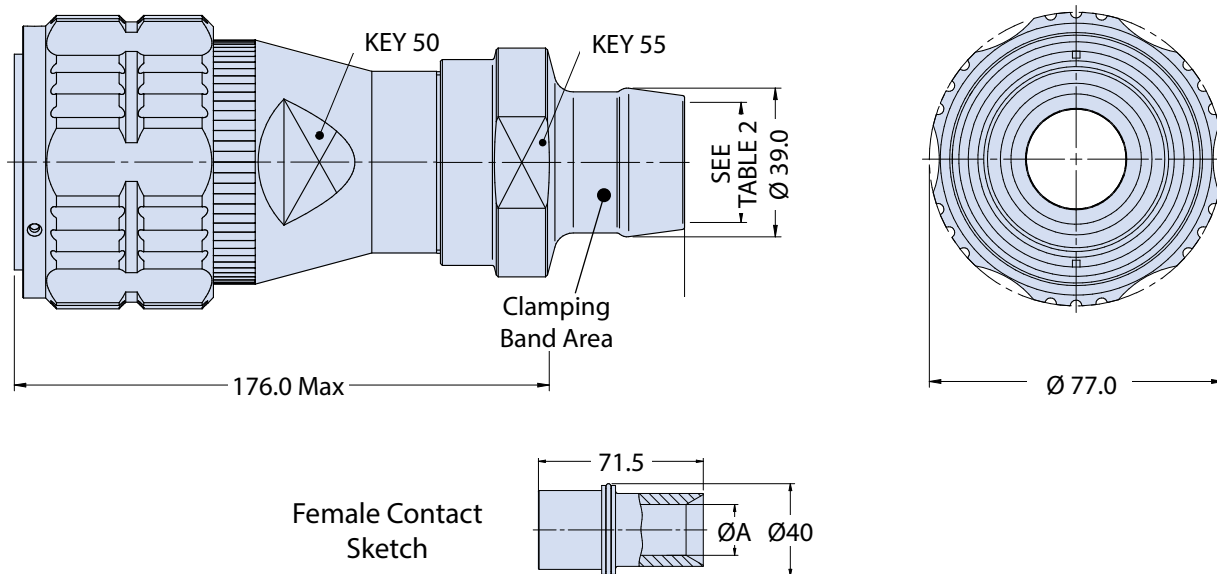


TABLE 1 - CONTACTS

Contact Type	Contact Gender	Contact P/N	Cable AWG *	Cable Section (mmq)	Working Current (A) **	Max Current (A) **	Conductor Min. Ø (mm)	Conductor Max Ø (mm)	Crimp Bucket - ØA - (mm)
95	Female	ITS 500-1420SG10	3/0	95	350	400	12.5	14.0	14.2
120	Female	ITS500-1600SG10	-	120	450	500	14.2	15.5	16.0
262 MCM	Female	ITS500-1750SG10	262 MCM	-	450	520	15.8	16.5	17.5
150	Female	ITS500-1750SG10	-	150	550	630	15.8	16.5	17.5
185	Female	ITS500-1950SG10	-	185	600	680	16.9	18.4	19.5
444 MCM	Female	ITS500-2200SG10	444 MCM	-	640	735	19.6	21.1	22.0
240	Female	ITS500-2200SG10	-	240	750	800	19.6	21.1	22.0
535 MCM	Female	ITS500-250SG10	535 MCM	-	750	800	21.0	24.0	25.0

* For different cable dimensions, please contact the factory.

** Related to cables ampacity.

TABLE 2 - CABLE Ø RANGE

Cable Range Code	Min. Cable Ø	Max. Cable Ø
A1	13	23
A2	19	29
A3	26	32

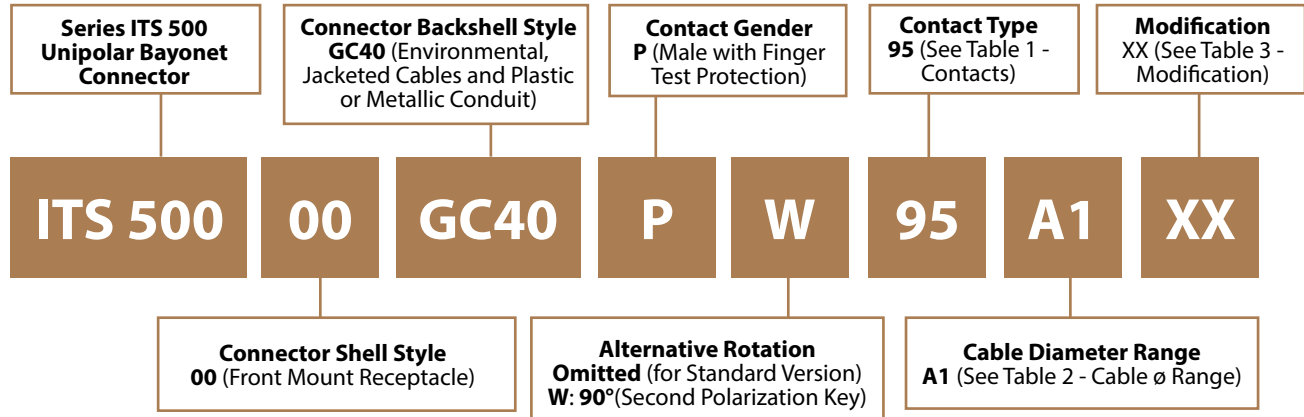
TABLE 3 - MODIFICATION CODES

Name	Modification
Omitted	Standard
B0	Connector Less Contacts
F7	Conductive Black Plating
K1	Stainless Receptacle
K2	Stainless Plug Shell for Straight Plug



ITS 500 00 Series

Front Panel Mount Square Flange Receptacle Assembly for Jacketed Cables and Plastic or Metallic Conduit



Application Notes

- Front mount receptacle with backshell for jacketed cable and plastic or metallic conduit. RoHS Compliant.
- Working voltage: 3000 Vcc.
- Test voltage: 10.000 Vdc / 7.000 Vac (1 min.).
- Water proof : IP67 level (coupled connectors).
- Contact resistance: 0.2 mOhm Max
- Temperature range: -55 +125°C.
- Contact: copper alloy with silver plating.
- Insulator: black thermoplastic resin according with UL94V0-NFF16-102:I2F1 (Exigency 4).
- Shells: Aluminium alloy with electrodeposited black paint.

ITS 500 00 Series
Front Panel Mount Square Flange Receptacle
 Assembly for Jacketed Cables and Plastic or Metallic Conduit

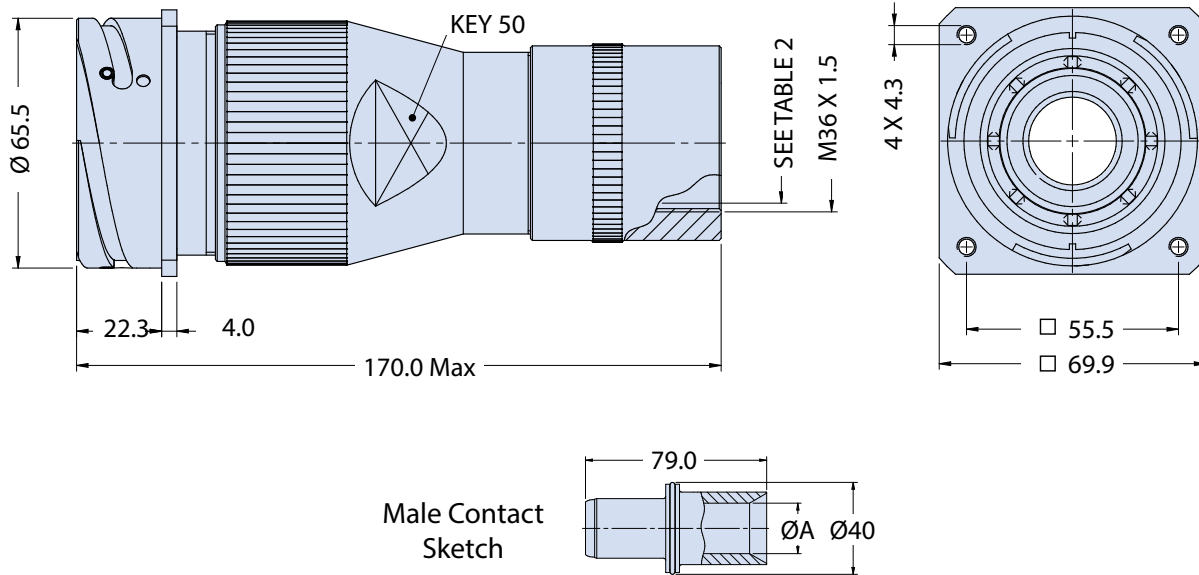


TABLE 1 - CONTACTS

Contact Type	Contact Gender	Contact P/N	Cable AWG *	Cable Section (mmq)	Working Current (A) **	Max Current (A) **	Conductor Min. Ø (mm)	Conductor Max Ø (mm)	Crimp Bucket - ØA - (mm)
95	Male	ITS 500-1420PG10	3/0	95	350	400	12.5	14.0	14.2
120	Male	ITS500-1600PG10	-	120	450	500	14.2	15.5	16.0
262 MCM	Male	ITS500-1750PG10	262 MCM	-	450	520	15.8	16.5	17.5
150	Male	ITS500-1750PG10	-	150	550	630	15.8	16.5	17.5
185	Male	ITS500-1950PG10	-	185	600	680	16.9	18.4	19.5
444 MCM	Male	ITS500-2200PG10	444 MCM	-	640	735	19.6	21.1	22.0
240	Male	ITS500-2200PG10	-	240	750	800	19.6	21.1	22.0
535 MCM	Male	ITS500-250PG10	535 MCM	-	750	800	21.0	24.0	25.0

* For different cable dimensions, please contact the factory.

** Related to cables ampacity.

TABLE 2 - CABLE Ø RANGE

Cable Range Code	Min. Cable Ø	Max. Cable Ø
A1	13	23
A2	19	29
A3	26	32

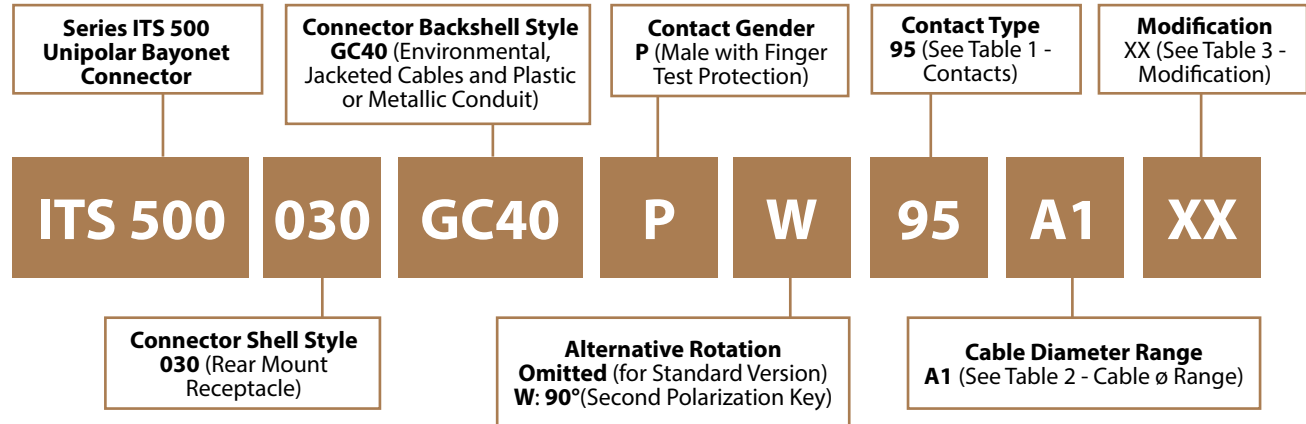
TABLE 3 - MODIFICATION CODES

Name	Modification
Omitted	Standard
B0	Connector Less Contacts
F7	Conductive Black Plating
K1	Stainless Receptacle
K2	Stainless Plug Shell for Straight Plug



ITS 500 030 Series

Rear Panel Mount Square Flange Receptacle Assembly for Jacketed Cables and Plastic or Metallic Conduit



Application Notes

- Rear mount receptacle with backshell for jacketed cable and plastic or metallic conduit. RoHS Compliant.
- Working voltage: 3000 Vcc.
- Test voltage: 10.000 Vdc / 7.000 Vac (1 min.).
- Water proof : IP67 level (coupled connectors).
- Contact resistance: 0.2 mOhm Max
- Temperature range: -55 +125°C.
- Contact: copper alloy with silver plating.
- Insulator: black thermoplastic resin according with UL94V0-NFF16-102:I2F1 (Exigency 4).
- Shells: Aluminium alloy with electrodeposited black paint.

ITS 500 030 Series
Rear Panel Mount Square Flange Receptacle
Assembly for Jacketed Cables and Plastic or Metallic Conduit



ITS 500
Connectors

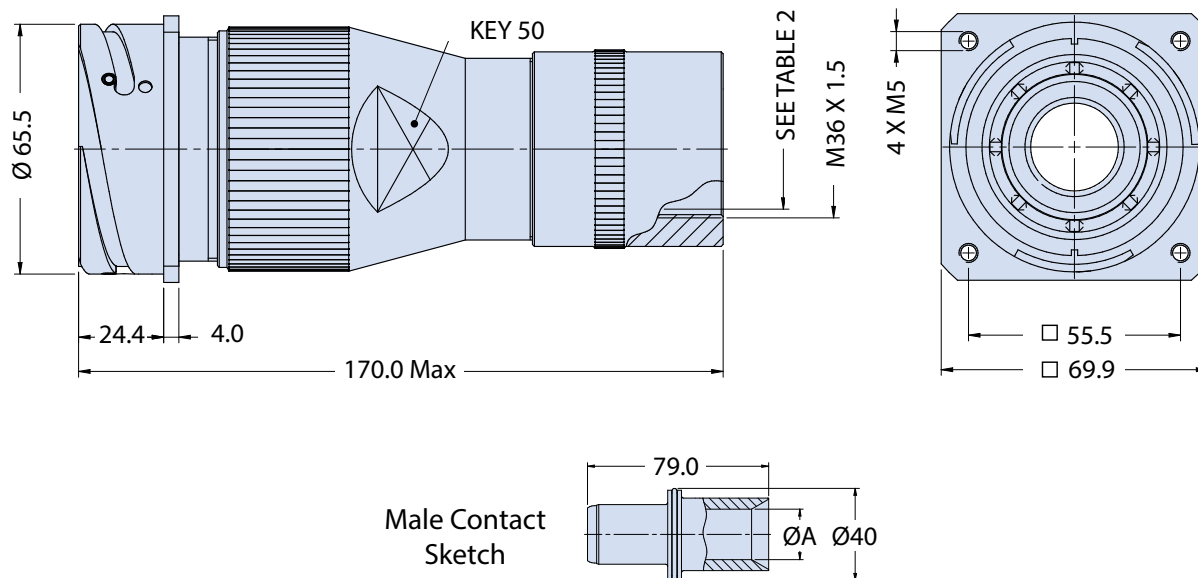


TABLE 1 - CONTACTS

Contact Type	Contact Gender	Contact P/N	Cable AWG *	Cable Section (mmq)	Working Current (A) **	Max Current (A) **	Conductor Min. Ø (mm)	Conductor Max Ø (mm)	Crimp Bucket - ØA - (mm)
95	Male	ITS 500-1420PG10	3/0	95	350	400	12.5	14.0	14.2
120	Male	ITS500-1600PG10	-	120	450	500	14.2	15.5	16.0
262 MCM	Male	ITS500-1750PG10	262 MCM	-	450	520	15.8	16.5	17.5
150	Male	ITS500-1750PG10	-	150	550	630	15.8	16.5	17.5
185	Male	ITS500-1950PG10	-	185	600	680	16.9	18.4	19.5
444 MCM	Male	ITS500-2200PG10	444 MCM	-	640	735	19.6	21.1	22.0
240	Male	ITS500-2200PG10	-	240	750	800	19.6	21.1	22.0
535 MCM	Male	ITS500-250PG10	535 MCM	-	750	800	21.0	24.0	25.0

* For different cable dimensions, please contact the factory.

** Related to cables ampacity.

TABLE 2 - CABLE Ø RANGE

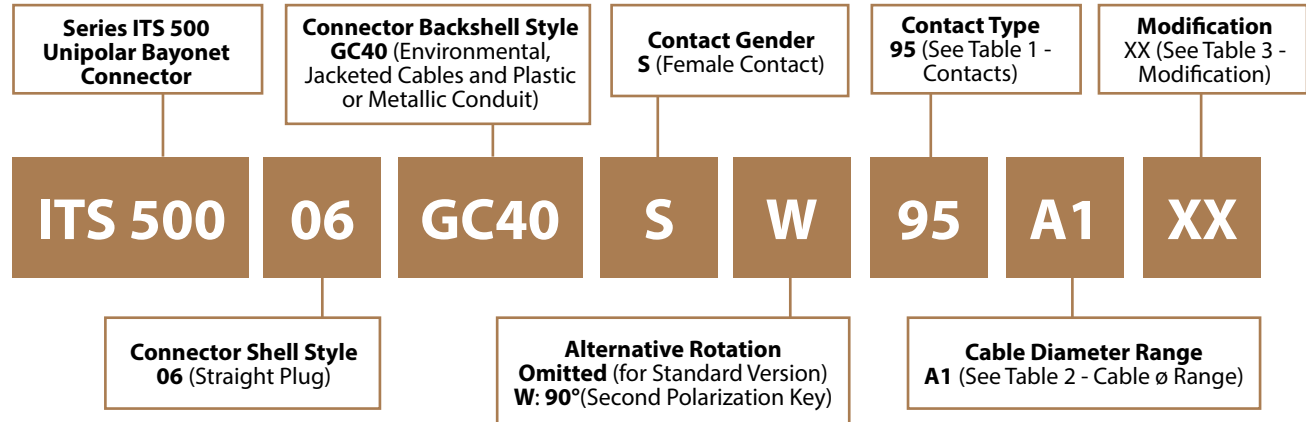
Cable Range Code	Min. Cable Ø	Max. Cable Ø
A1	13	23
A2	19	29
A3	26	32

TABLE 3 - MODIFICATION CODES

Name	Modification
Omitted	Standard
B0	Connector Less Contacts
F7	Conductive Black Plating
K1	Stainless Receptacle
K2	Stainless Plug Shell for Straight Plug



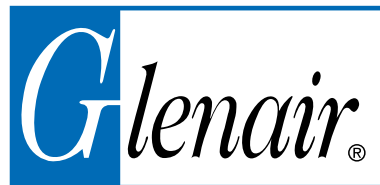
ITS 500 06 Series Straight Cylindrical Plug Assembly for Jacketed Cables and Plastic or Metallic Conduit



Application Notes

- Straight cylindrical plug with backshell for jacketed cable and plastic or metallic conduit. RoHS Compliant.
- Working voltage: 3000 Vcc.
- Test voltage: 10.000 Vdc / 7.000 Vac (1 min.).
- Water proof : IP67 level (coupled connectors).
- Contact resistance: 0.2 mOhm Max
- Temperature range: -55 +125°C.
- Contact: copper alloy with silver plating.
- Insulator: black thermoplastic resin according with UL94V0-NFF16-102:I2F1 (Exigency 4).
- Shells: Aluminium alloy with electrodeposited black paint.

**ITS 500 06 Series
Straight Cylindrical Plug
Assembly for Jacketed Cables and Plastic or Metallic Conduit**



ITS 500
Connectors

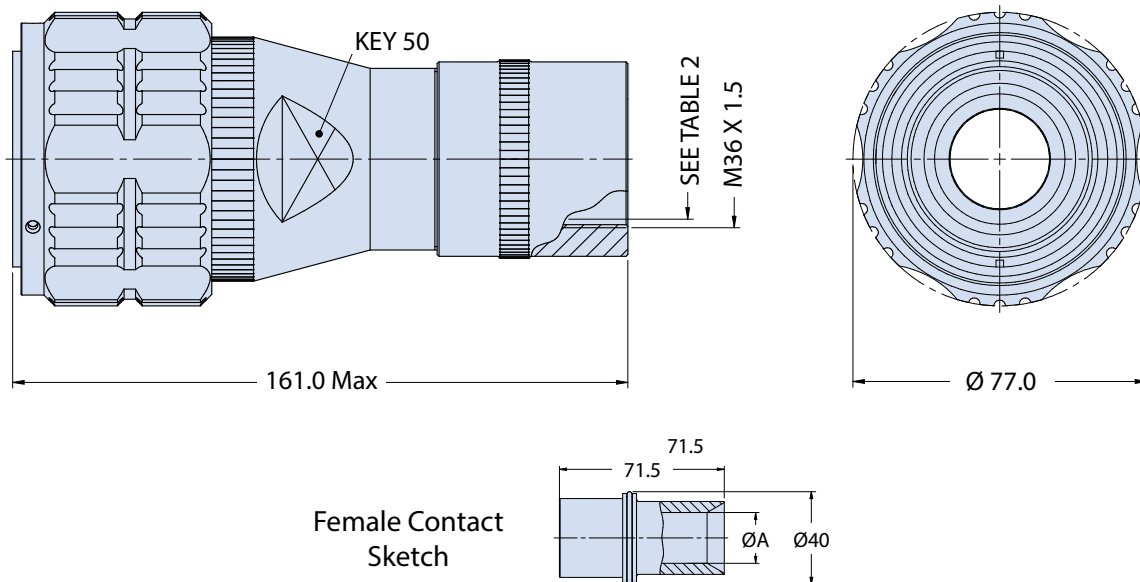


TABLE 1 - CONTACTS

Contact Type	Contact Gender	Contact P/N	Cable AWG *	Cable Section (mmq)	Working Current (A) **	Max Current (A) **	Conductor Min. Ø (mm)	Conductor Max Ø (mm)	Crimp Bucket - ØA - (mm)
95	Female	ITS 500-1420SG10	3/0	95	350	400	12.5	14.0	14.2
120	Female	ITS500-1600SG10	-	120	450	500	14.2	15.5	16.0
262 MCM	Female	ITS500-1750SG10	262 MCM	-	450	520	15.8	16.5	17.5
150	Female	ITS500-1750SG10	-	150	550	630	15.8	16.5	17.5
185	Female	ITS500-1950SG10	-	185	600	680	16.9	18.4	19.5
444 MCM	Female	ITS500-2200SG10	444 MCM	-	640	735	19.6	21.1	22.0
240	Female	ITS500-2200SG10	-	240	750	800	19.6	21.1	22.0
535 MCM	Female	ITS500-250SG10	535 MCM	-	750	800	21.0	24.0	25.0

* For different cable dimensions, please contact the factory.

** Related to cables ampacity.

TABLE 2 - CABLE Ø RANGE

Cable Range Code	Min. Cable Ø	Max. Cable Ø
A1	13	23
A2	19	29
A3	26	32

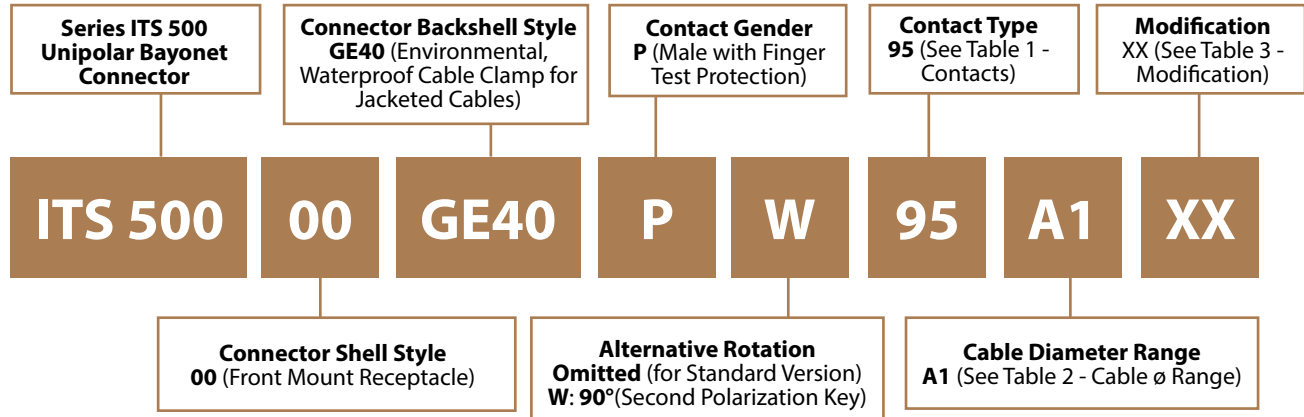
TABLE 3 - MODIFICATION CODES

Name	Modification
Omitted	Standard
B0	Connector Less Contacts
F7	Conductive Black Plating
K1	Stainless Receptacle
K2	Stainless Plug Shell for Straight Plug



ITS 500 00 Series

Front Panel Mount Square Flange Receptacle Assembly for Waterproof Cable Clamp for Jacketed Cables



- Front mount receptacle with waterproof cable clamp for jacketed cable. RoHS Compliant.
- Working voltage: 3000 Vcc.
- Test voltage: 10.000 Vdc / 7.000 Vac (1 min.).
- Water proof : IP67 level (coupled connectors).
- Contact resistance: 0.2 mOhm Max
- Temperature range: -55 +125°C.
- Contact: copper alloy with silver plating.
- Insulator: black thermoplastic resin according with UL94V0-NFF16-102:I2F1 (Exigency 4).
- Shells: Aluminium alloy with electrodeposited black paint.

ITS 500 00 Series
Front Panel Mount Square Flange Receptacle
Assembly for Waterproof Cable Clamp for Jacketed Cables

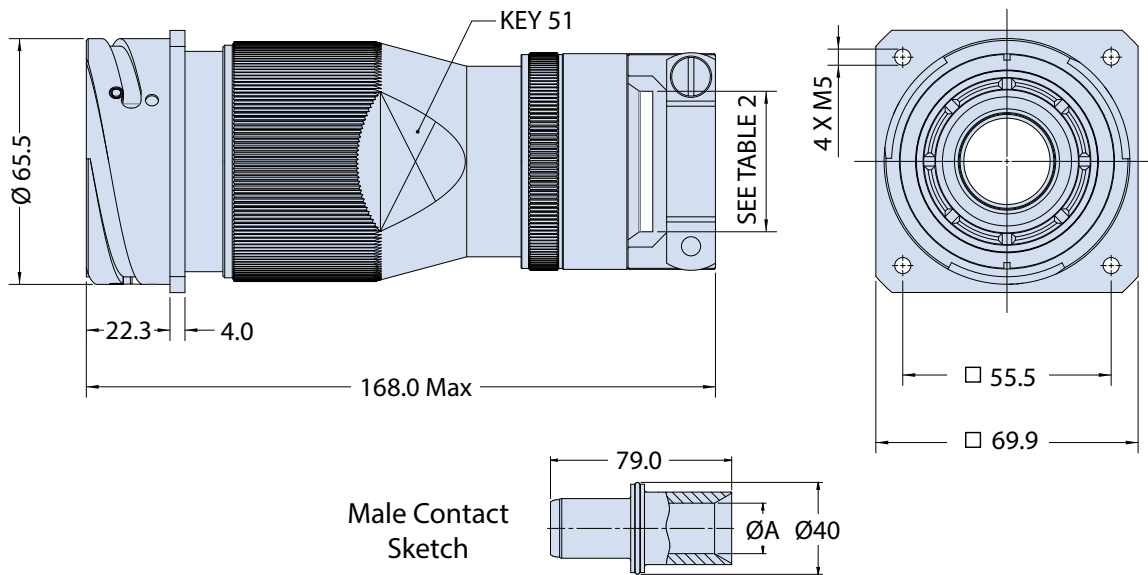


TABLE 1 - CONTACTS

Contact Type	Contact Gender	Contact P/N	Cable AWG *	Cable Section (mmq)	Working Current (A) **	Max Current (A) **	Conductor Min. Ø (mm)	Conductor Max Ø (mm)	Crimp Bucket - ØA - (mm)
95	Male	ITS 500-1420PG10	3/0	95	350	400	12.5	14.0	14.2
120	Male	ITS500-1600PG10	-	120	450	500	14.2	15.5	16.0
262 MCM	Male	ITS500-1750PG10	262 MCM	-	450	520	15.8	16.5	17.5
150	Male	ITS500-1750PG10	-	150	550	630	15.8	16.5	17.5
185	Male	ITS500-1950PG10	-	185	600	680	16.9	18.4	19.5
444 MCM	Male	ITS500-2200PG10	444 MCM	-	640	735	19.6	21.1	22.0
240	Male	ITS500-2200PG10	-	240	750	800	19.6	21.1	22.0
535 MCM	Male	ITS500-250PG10	535 MCM	-	750	800	21.0	24.0	25.0

* For different cable dimensions, please contact the factory.

** Related to cables ampacity.

TABLE 2 - CABLE Ø RANGE

Cable Range Code	Min. Cable Ø	Max. Cable Ø
A1	23.4	31.75
A2	23.4	35.0
A3	29.9	41.25

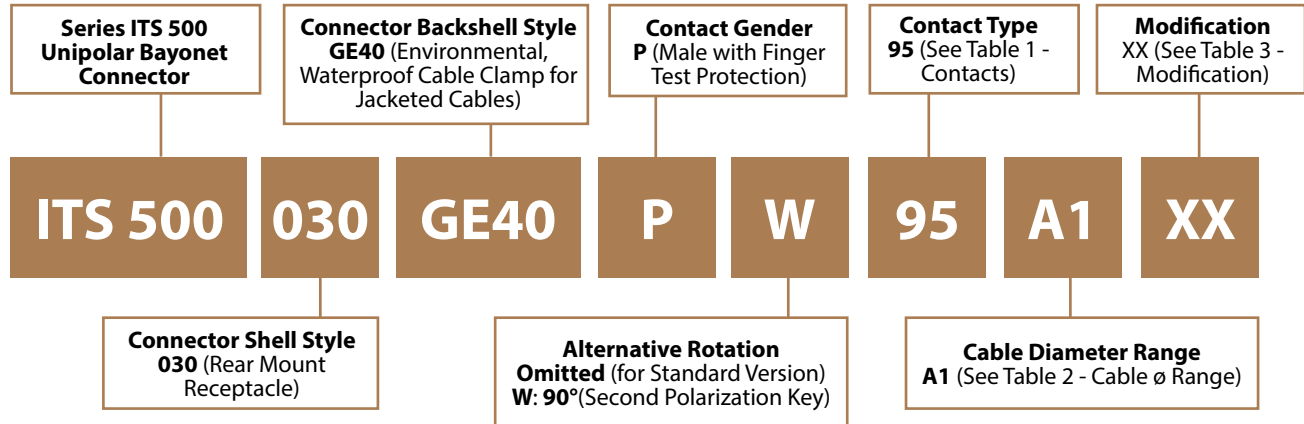
TABLE 3 - MODIFICATION CODES

Name	Modification
Omitted	Standard
B0	Connector Less Contacts
F7	Conductive Black Plating
K1	Stainless Receptacle
K2	Stainless Plug Shell for Straight Plug



ITS 500 030 Series

Rear Panel Mount Square Flange Receptacle Assembly for Waterproof Cable Clamp for Jacketed Cables



Application Notes

- Rear mount receptacle with waterproof cable clamp for jacketed cable. RoHS Compliant.
- Working voltage: 3000 Vcc.
- Test voltage: 10.000 Vdc / 7.000 Vac (1 min.).
- Water proof : IP67 level (coupled connectors).
- Contact resistance: 0.2 mOhm Max
- Temperature range: -55 +125°C.
- Contact: copper alloy with silver plating.
- Insulator: black thermoplastic resin according with UL94V0-NFF16-102:I2F1 (Exigency 4).
- Shells: Aluminium alloy with electrodeposited black paint.

ITS 500 030 Series
Rear Panel Mount Square Flange Receptacle
Assembly for Waterproof Cable Clamp for Jacketed Cables

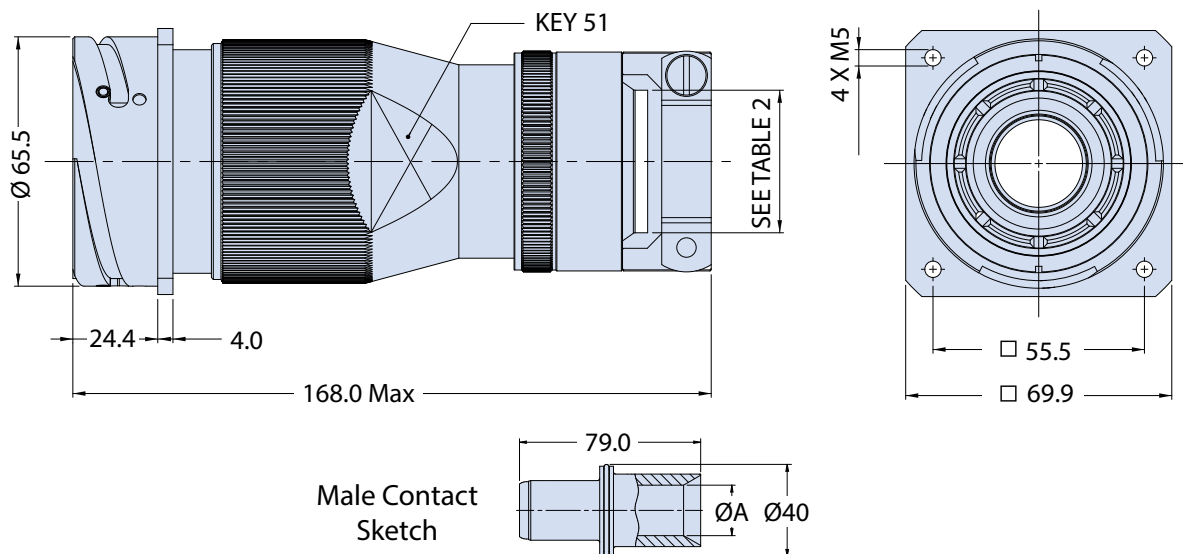


TABLE 1 - CONTACTS

Contact Type	Contact Gender	Contact P/N	Cable AWG *	Cable Section (mmq)	Working Current (A) **	Max Current (A) **	Conductor Min. Ø (mm)	Conductor Max Ø (mm)	Crimp Bucket - ØA - (mm)
95	Male	ITS 500-1420PG10	3/0	95	350	400	12.5	14.0	14.2
120	Male	ITS500-1600PG10	-	120	450	500	14.2	15.5	16.0
262 MCM	Male	ITS500-1750PG10	262 MCM	-	450	520	15.8	16.5	17.5
150	Male	ITS500-1750PG10	-	150	550	630	15.8	16.5	17.5
185	Male	ITS500-1950PG10	-	185	600	680	16.9	18.4	19.5
444 MCM	Male	ITS500-2200PG10	444 MCM	-	640	735	19.6	21.1	22.0
240	Male	ITS500-2200PG10	-	240	750	800	19.6	21.1	22.0
535 MCM	Male	ITS500-250PG10	535 MCM	-	750	800	21.0	24.0	25.0

* For different cable dimensions, please contact the factory.

** Related to cables ampacity.

TABLE 2 - CABLE Ø RANGE

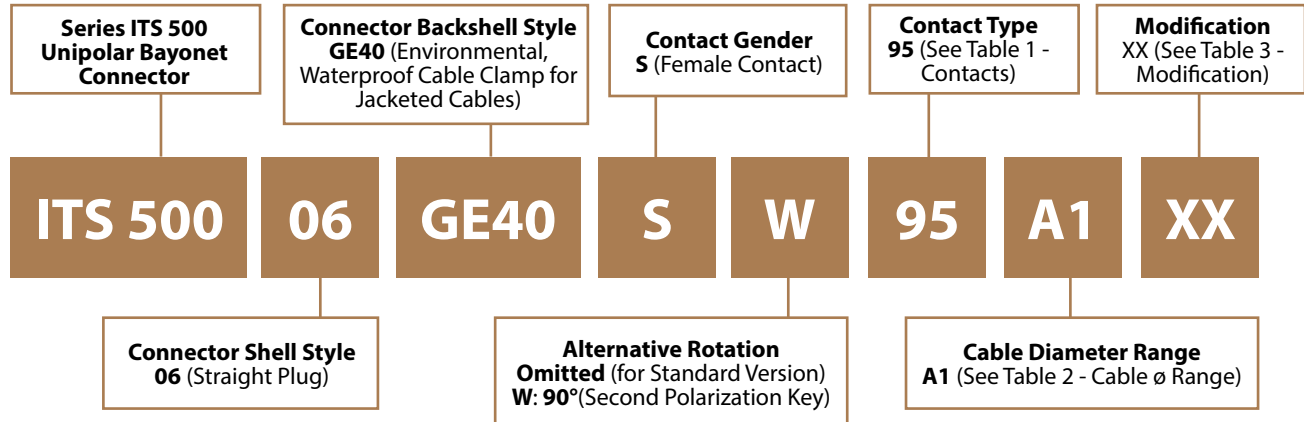
Cable Range Code	Min. Cable Ø	Max. Cable Ø
A1	23.4	31.75
A2	23.4	35.0
A3	29.9	41.25

TABLE 3 - MODIFICATION CODES

Name	Modification
Omitted	Standard
B0	Connector Less Contacts
F7	Conductive Black Plating
K1	Stainless Receptacle
K2	Stainless Plug Shell for Straight Plug



ITS 500 06 Series Straight Cylindrical Plug Assembly for Waterproof Cable Clamp for Jacketed Cables



Application Notes

- Straight cylindrical plug with waterproof cable clamp for jacketed cable. RoHS Compliant.
- Working voltage: 3000 Vcc.
- Test voltage: 10.000 Vdc / 7.000 Vac (1 min.).
- Water proof : IP67 level (coupled connectors).
- Contact resistance: 0.2 mOhm Max
- Temperature range: -55 +125°C.
- Contact: copper alloy with silver plating.
- Insulator: black thermoplastic resin according with UL94V0-NFF16-102:I2F1 (Exigency 4).
- Shells: Aluminium alloy with electrodeposited black paint.

ITS 500 06 Series
Straight Cylindrical Plug
 Assembly for Waterproof Cable Clamp for Jacketed Cables



ITS 500
Connectors

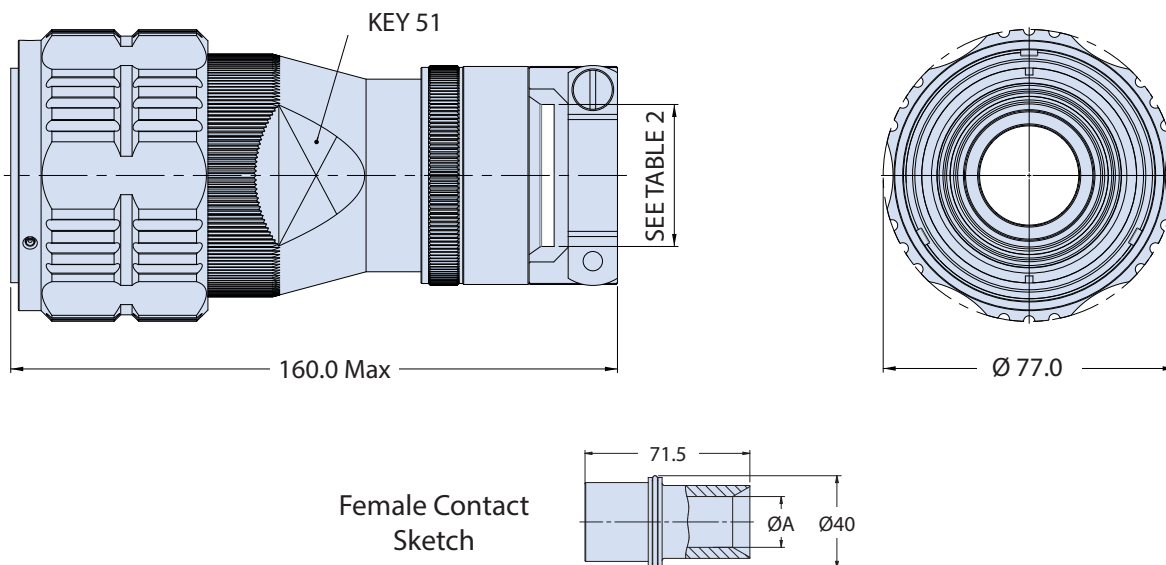


TABLE 1 - CONTACTS

Contact Type	Contact Gender	Contact P/N	Cable AWG *	Cable Section (mmq)	Working Current (A) **	Max Current (A) **	Conductor Min. Ø (mm)	Conductor Max Ø (mm)	Crimp Bucket - ØA - (mm)
95	Female	ITS 500-1420SG10	3/0	95	350	400	12.5	14.0	14.2
120	Female	ITS500-1600SG10	-	120	450	500	14.2	15.5	16.0
262 MCM	Female	ITS500-1750SG10	262 MCM	-	450	520	15.8	16.5	17.5
150	Female	ITS500-1750SG10	-	150	550	630	15.8	16.5	17.5
185	Female	ITS500-1950SG10	-	185	600	680	16.9	18.4	19.5
444 MCM	Female	ITS500-2200SG10	444 MCM	-	640	735	19.6	21.1	22.0
240	Female	ITS500-2200SG10	-	240	750	800	19.6	21.1	22.0
535 MCM	Female	ITS500-250SG10	535 MCM	-	750	800	21.0	24.0	25.0

* For different cable dimensions, please contact the factory.

** Related to cables ampacity.

TABLE 2 - CABLE Ø RANGE

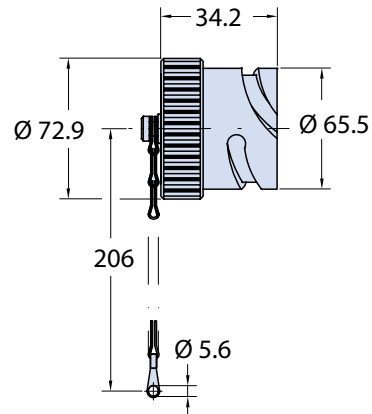
Cable Range Code	Min. Cable Ø	Max. Cable Ø
A1	23.4	31.75
A2	23.4	35.0
A3	29.9	41.25

TABLE 3 - MODIFICATION CODES

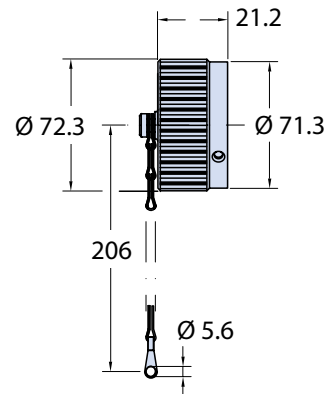
Name	Modification
Omitted	Standard
B0	Connector Less Contacts
F7	Conductive Black Plating
K1	Stainless Receptacle
K2	Stainless Plug Shell for Straight Plug

ITB 06T - 40 F6

Plug Connector Cap with Stainless Steel Chain


ITB 02T - 40 F6

Receptacle Connector Cap with Stainless Steel Chain


10-030TMB-40

Stainless Spring Cap for Receptacle Connector



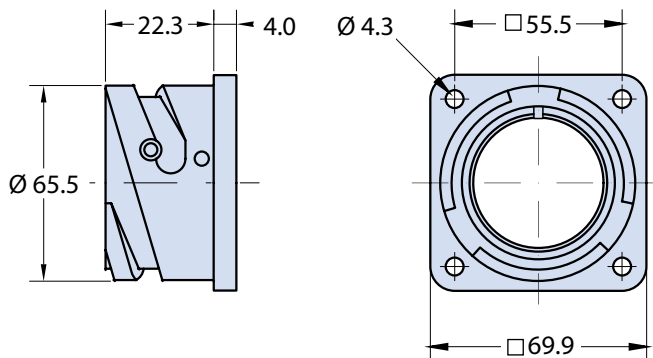
ITS 500 Series
Reverse Bayonet Single Pole Power Connector
Accessories



ITS 500
Connectors

ITS 05 - 40 F6

Dummy Plug Storage Receptacle

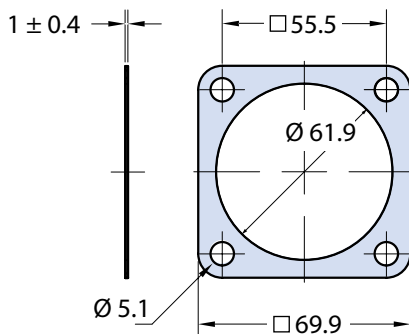


IT - 40450 - 40 (Non Conductive) and IT - 40450 - 40S (Conductive)

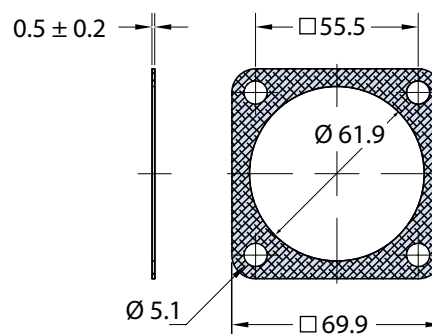
Connector Mounting Gasket - Front Mounted Square Flange Receptacle



Gasket
Front Mounted



IT - 40450 - 40
Non Conductive



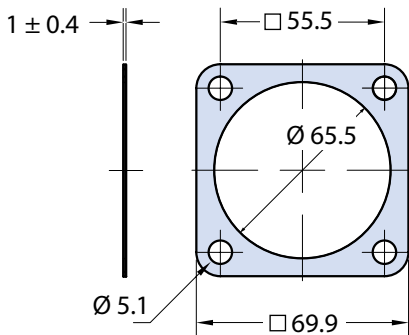
IT - 40450 - 40S
Conductive

IT - 40460 - 40 (Non Conductive) and IT - 40460 - 40S (Conductive)

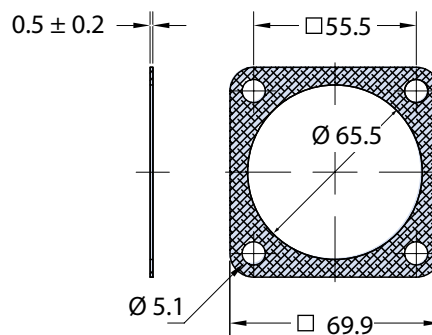
Connector Mounting Gaskets - Rear Mounted Square Flange Receptacle



Gasket
Rear Mounted



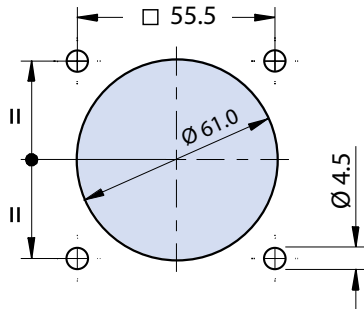
IT - 40460 - 40
Non Conductive



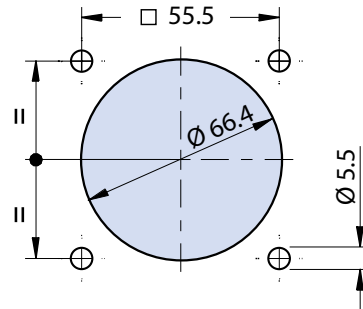
IT - 40460 - 40S
Conductive

ITS 500 Series Reverse Bayonet Single Pole Power Connector Panel Cut-Out Mounting Data

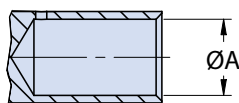
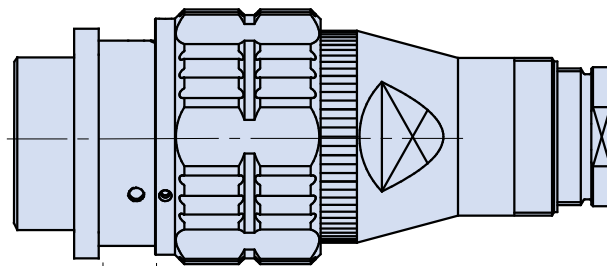
Panel Cut-Out and Panel Thickness



Panel Cutout for Type 00



Panel Cutout for Type 030

Contact Crimp
Bucket

7.5 mm (5.5 mm with Stainless Steel Cap)
Maximum Panel Thickness for Rear Mounting

Crimping Table and Tools

Contact Type	Contact Gender	Contact P/N	Ø A (+0.5 / 0)	Die	Crimping Tools	Tensile Strength (N)
95	Male	ITS 500-1420PG10	14.2	M105016	M105013	3700
	Female	ITS 500-1420SG10				
120	Male	ITS500-1600PG10	16.0	M112012	M105013	4200
	Female	ITS500-1600SG10				
262 MCM	Male	ITS500-1750PG10	17.5	M112018	M105013	4400
	Female	ITS500-1750SG10				
150	Male	ITS500-1750PG10	17.5	M112018	M105013	4800
	Female	ITS500-1750SG10				
185	Male	ITS500-1950PG10	19.5	M112018	M105013	5400
	Female	ITS500-1950SG10				
444 MCM	Male	ITS500-2200PG10	22.0	M112024	M105013	6500
	Female	ITS500-2200SG10				
240	Male	ITS500-2200PG10	22.0	M105035	M105013	6500
	Female	ITS500-2200SG10				
535 MCM	Male	ITS500-250PG10	25.0	M112024	M105013	6500
	Female	ITS500-250SG10				

Oleodynamic
Crimp ToolDie for Oleodynamic
Crimp Tool

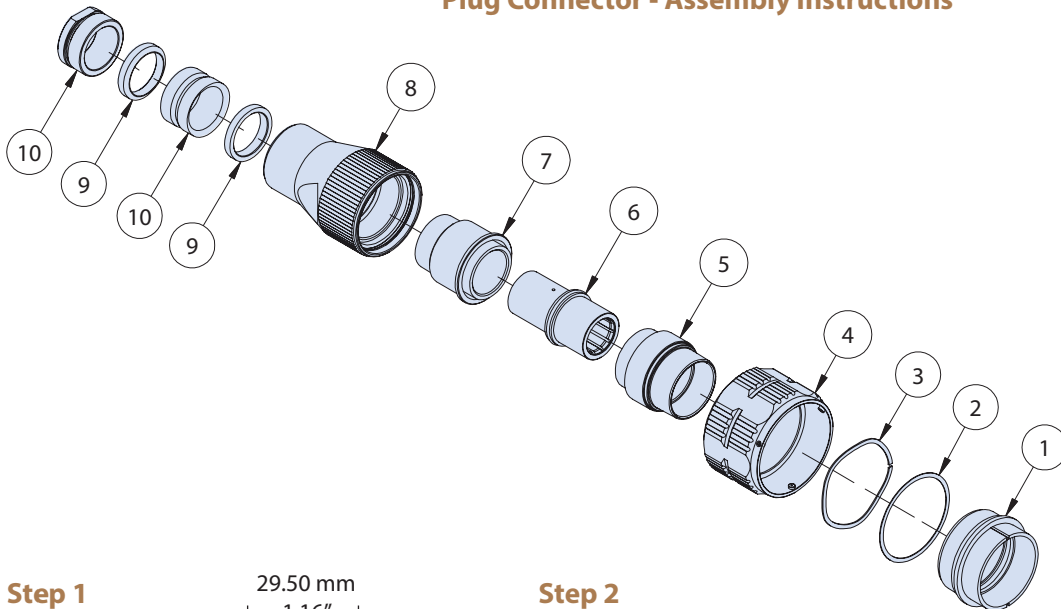
**For further Crimping
Steps details, please
contact the factory.**

ITS 500 Series Reverse Bayonet Single Pole Power Connector Assembly Instructions



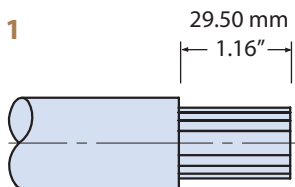
Plug Connector - Assembly Instructions

Items Description



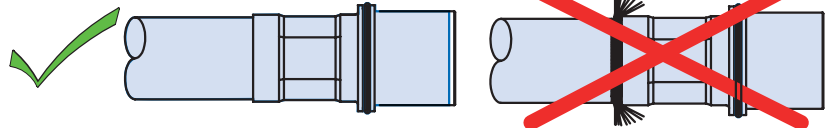
1. Plugshell
2. Flat Washer
3. Wave Spring
4. Coupling Nut
5. Front Insert
6. Female Contact
7. Rear Insert
8. Backshell
9. Compression Ring
10. Grommet
11. Backnut

Step 1



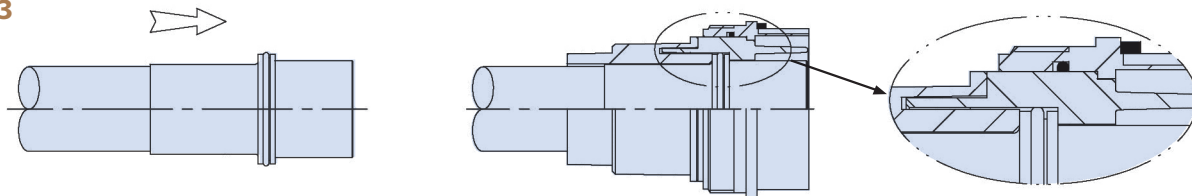
Cut and strip the cable

Step 2



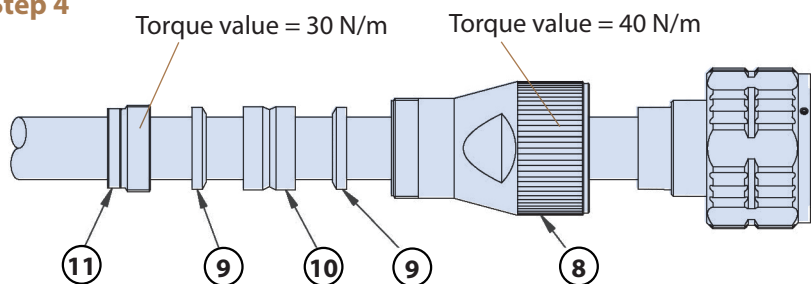
Crimp the contact (6) on the wire.

Step 3



Insert the contact (6) crimped to the wire into the front insert (5). Install the rear insert (7) until it stops against the front insert (5) and check that the insert is assembled correctly per the picture above.

Step 4



CABLE CLAMP TORQUE VALUES

Clamp Size	With Grommet In-Lbs (Min/Max)	Without Grommet In-Lbs (Min/Max)
24	25/45	80/100

TORQUE VALUES FOR CABLE CLAMP SCREWS

Screw Size	In-Lbs (Min/Max)
8-32	7.0/9.0

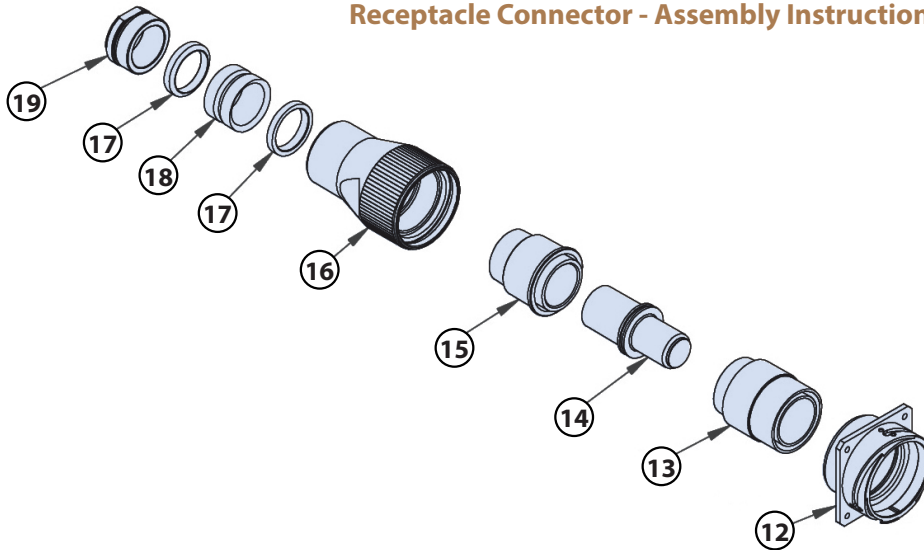
Assemble the wave spring (3) and flat washer (2) into the coupling nut (4) and slide down over the plugshell (1). Screw the backshell (8) onto the rear external threads of the plugshell (1) and tighten. Make sure that the angle side of compression rings (9) are facing into the grommet (10). Then screw the backnut (11) and tighten. Electrical Test: Insulation resistance (5000 MΩ Min.). Test voltage: 3000 Vcc (1 min.).



ITS 500 Series Reverse Bayonet Single Pole Power Connector Assembly Instructions

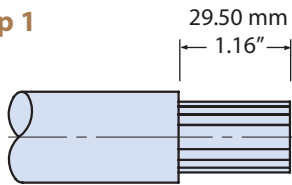
Receptacle Connector - Assembly Instructions

Items Description



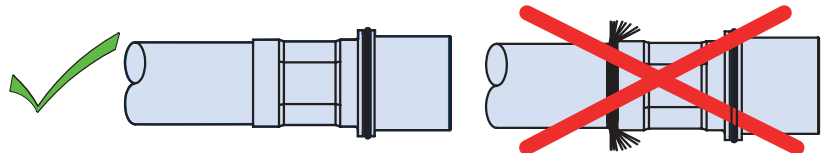
- 12. Receptacle
- 13. Front Insert
- 14. Male Contact
- 15. Rear Insert
- 16. Backshell
- 17. Compression Ring
- 18. Grommet
- 19. Backnut

Step 1



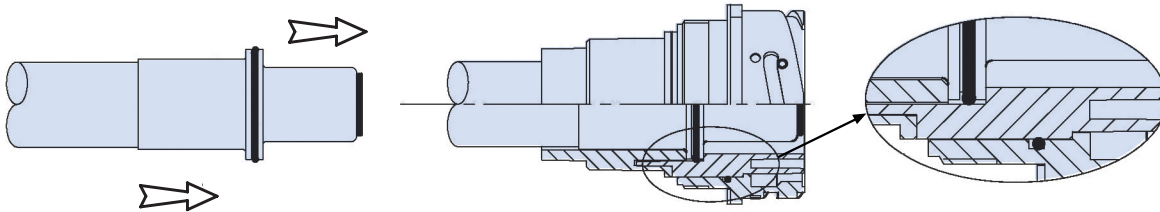
Cut and strip the cable

Step 2



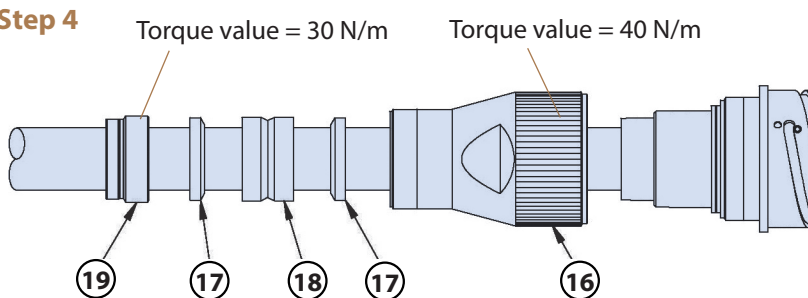
Crimp the contact (14) on the conductor.

Step 3



Insert the contact (14) crimped to the wire into the front insert (13). Install the rear insert (15) until it stops against the front insert (13) and check that the insert is assembled correctly per the picture above.

Step 4

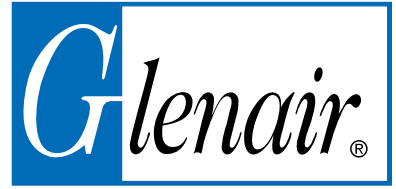


CABLE CLAMP TORQUE VALUES		
Clamp Size	With Grommet In-Lbs (Min/Max)	Without Grommet In-Lbs (Min/Max)
24	25/45	80/100
TORQUE VALUES FOR CABLE CLAMP SCREWS		
Screw Size	In-Lbs (Min/Max)	
8-32	7.0/9.0	

Screw the backshell (16) onto the rear external threads of the receptacle (12) and tighten. Make sure that the angled side of the compression rings (17) are facing into the grommet (18). Then screw the backnut (19).

Electrical Test: Insulation resistance (5000 MΩ Min.). Test voltage: 3000 Vcc (1 min.).

**ITS 500 Series
Reverse Bayonet Single Pole Power Connector
Security Instructions**



WARNING

FAILURE TO FOLLOW THESE INSTRUCTIONS MAY RESULT IN DAMAGE TO EQUIPMENT, SERIOUS PERSONAL INJURY OR EVEN DEATH.

It is the user's responsibility to ensure these products are used safely. Glenair, Inc., including all Glenair, Inc. subsidiaries, is NOT responsible for damage to equipment, personal injury or death from use of Glenair, Inc. products.

Only qualified electrical technicians should use interconnection products in high voltage and other electrical conditions.

Interconnection products must be clean and dry when installed. Mating and de-mating should never occur under load.

Damaged interconnection products must be replaced immediately by a trained electrical technician.

Glenair, Inc. reserves the right to modify this Warning, any other warning, all catalogs, glenair.com website, and any other technical information with or without notice.

For further information and technical assistance, please contact your local Glenair Sales Office or see our website: **www.glenair.com**



UJ Series Connector

Introducing the Power Joint System

V250 Train: An Albatross flying on the Dutch Railways

Glenair supplies connectors and interconnect systems for the V250 High Speed Trains which connect the cities of Amsterdam and Brussels. These trains are completely in conformity with the European Technical Specification of Interoperability - they can adapt to the different voltages of the various European railway networks.



V250 is an Italian family of tilting trains manufactured by AnsaldoBreda

V250 train combines the benefits of high-speed rail (travel times and service levels) with those of metropolitan travel (frequency and accessibility), providing competitive mobility solutions.

Also known as the Albatross, the V250 is a high-speed train to be built by AnsaldoBreda and styled by Pininfarina.

Designed to express speed, brightness, convenience and comfort, the V250 operates on the newly built HSL-Zuid in the Netherlands and its extension HSL 4 in Belgium.

The Albatross name is a reference to the top speed of the trains, 250 km/h. While this is slower than other high-speed trains, it is higher than the current top speed for Dutch trains of 140 km/h. The distinctive styling of the trains has sometimes been compared to a platypus!

Like Hercule Poirot, Glenair Solves Another One on the Orient Express

Glenair application engineers, every bit the intellectual match for retired Belgian detective Hercule Poirot, were asked to solve not a crime, but a serious problem involving an emergency braking system upgrade on the Orient Express. A complicated interplay of hydraulics, pneumatics and mechanics, the braking system solution had to fit within very limited space, and the train is, of course, a much-revered and valuable historical artifact.



The case was solved with Glenair ITS reverse bayonet connector cables and flange mount receptacles. Plugs with cable clamp backshells mated to receptacles mounted on existing metal junction boxes, along with a specially-designed, corrosion-free and EMI/RFI-protected Glenair Composite Junction Box, factory wired to an internal termination block. Glenair engineered a solution to a modern braking system problem, fully integrated into a historical train.

IC4 Train: Low Emission Diesel Engine with Common Rail Injection

The IC4 is an intercity train built by Italian AnsaldoBreda for the trans-Great Belt routes of Danske Statsbaner (DSB), Denmark's national railway operator. Glenair is one of the main suppliers of Connectors and Interconnection Systems for this train.



High Speed Data Transmission

**USB, RJ45 and Quadrax Interconnects in Sealed,
Ruggedized M5015 and M26482 Type Packaging**



Glenair has bridged the gap between high performance data transmission systems and rugged field-ready circular connectors by integrating the two into a single, refined package. Users no longer have to worry about damaging delicate high bandwidth connections in harsh conditions. The MIL-DTL-5015 type connector shells provide impact resistance, ingress protection and positive coupling—all in a wide array of shell styles and finishes.

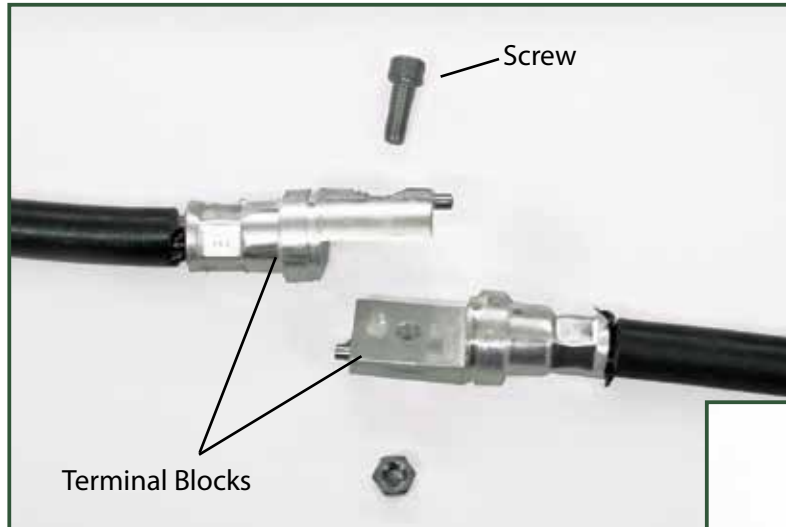


CRIMP TERMINAL BLOCKS

UJ Series is a "Joint" connector: 2 - 3 minutes for mating and unmating, but is really reliable and efficient for Power Applications in harsh conditions.

Phase 1

Crimp Terminal Blocks, assembled with a screw easy and suitable for field assembly.



Phase 2

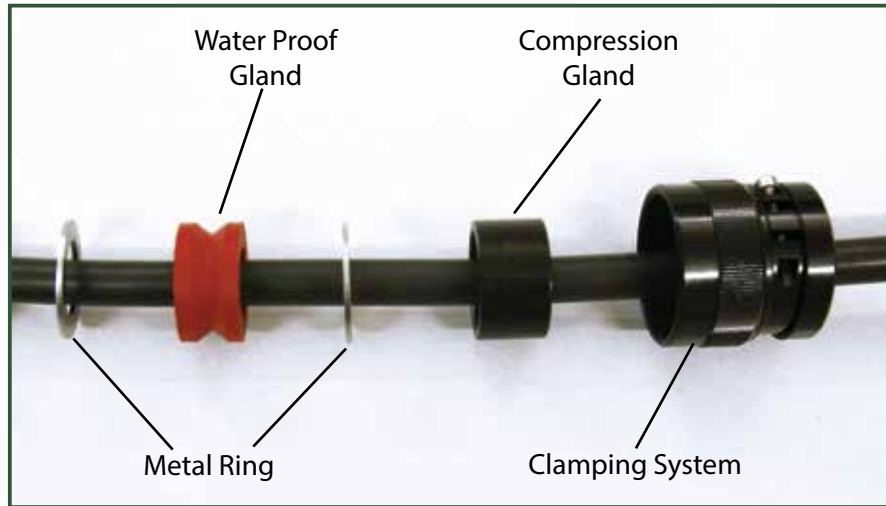
Positioner protects Terminal Blocks and maintain the correct contact position into the middle of the Plastic Body.



CRIMP TERMINAL BLOCKS

Phase 3

Tightness Clamping system both sides.



Phase 4



Complete Connector



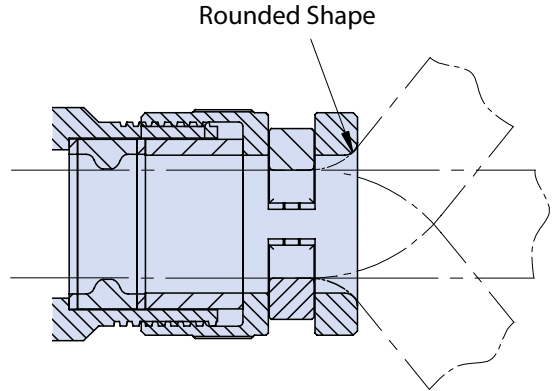
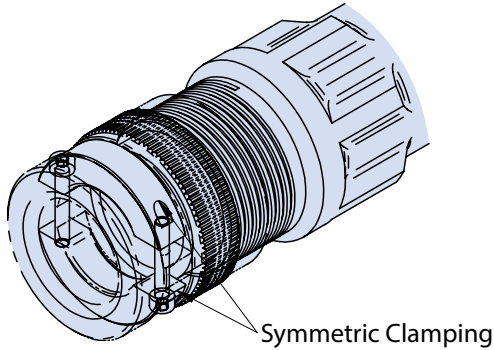
Internal Section

D



UJ Series Connector Details Drawings and Dimensions

CLAMP DETAILS



The symmetric clamping system keeps the cable firmly locked and in axis with cables. The rounded shape on the clamping system and on the termination, allow to avoid cable's insulator damaging in the clamping zone and in the rear end despite casual movements.

UJ1 AND UJ2 SUPPORTS : 2-WAY AND 3-WAY

2 Way Supports:

UJ1 - 2-Way Support P/N

UJ1-S-2

UJ 2 - 2-Way Support

UJ2-S-2



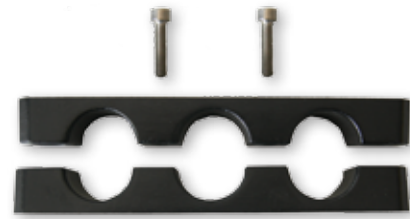
3-Way Supports:

UJ1 - 3-Way Support P/N

UJ1-S-3

UJ 2 - 3-Way Support

UJ2-S-3



DIMENSION TABLE

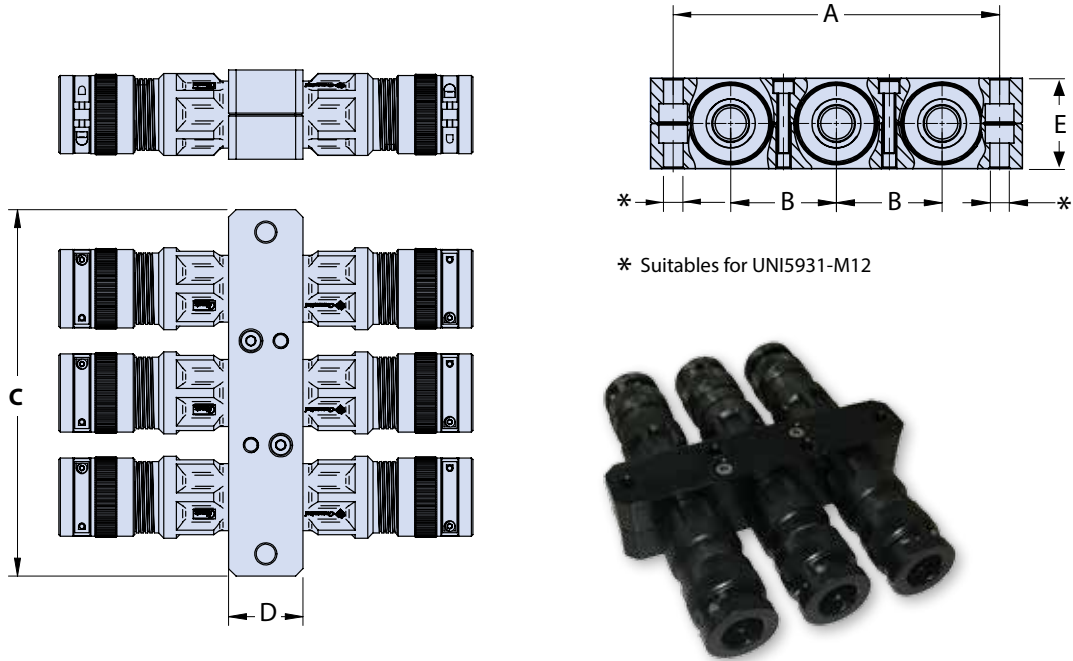
Support P/N	Description	Number of Positions	A (mm)	B (mm)	C (mm)	D (mm)	E (mm)
UJ1-S-2	Suitable for UJ1	2	160	84	190	50	60
UJ2-S-2	Suitable for UJ2	2	140	72	170	40	60
UJ1-S-3	Suitable for UJ1	3	216	70	246	50	60
UJ2-S-3	Suitable for UJ2	3	186	59	216	40	50

UJ Series Connector Assembly Drawings and Dimensions

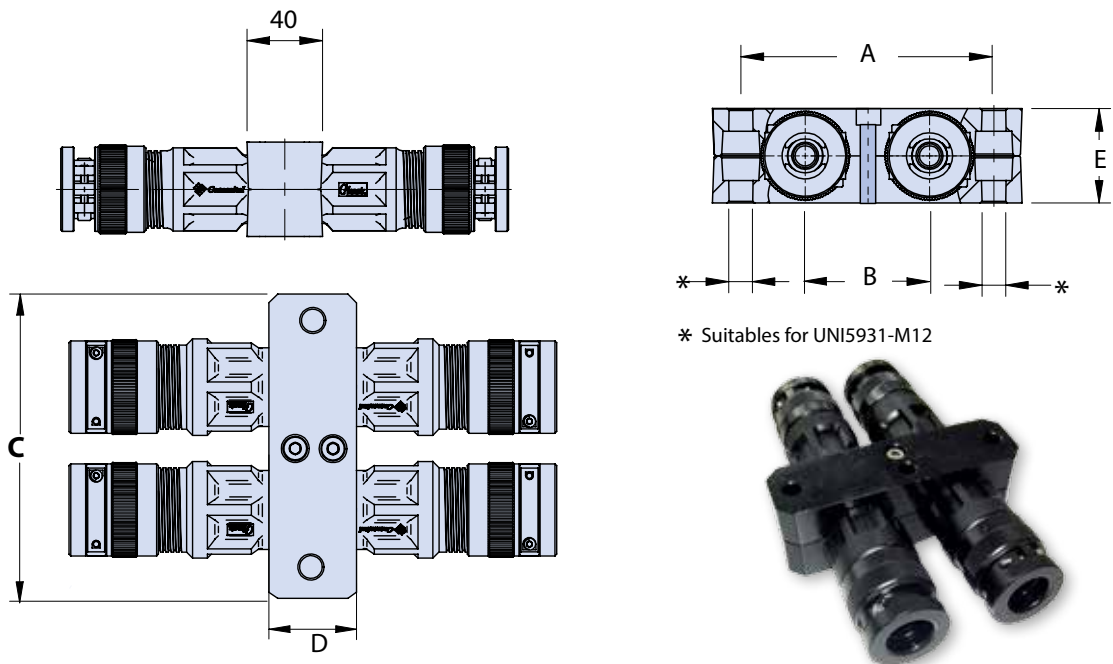


UJ Series
Connectors

UJ - 3 POSITION ASSEMBLY DRAWINGS -



UJ - 2 POSITION ASSEMBLY DRAWINGS -

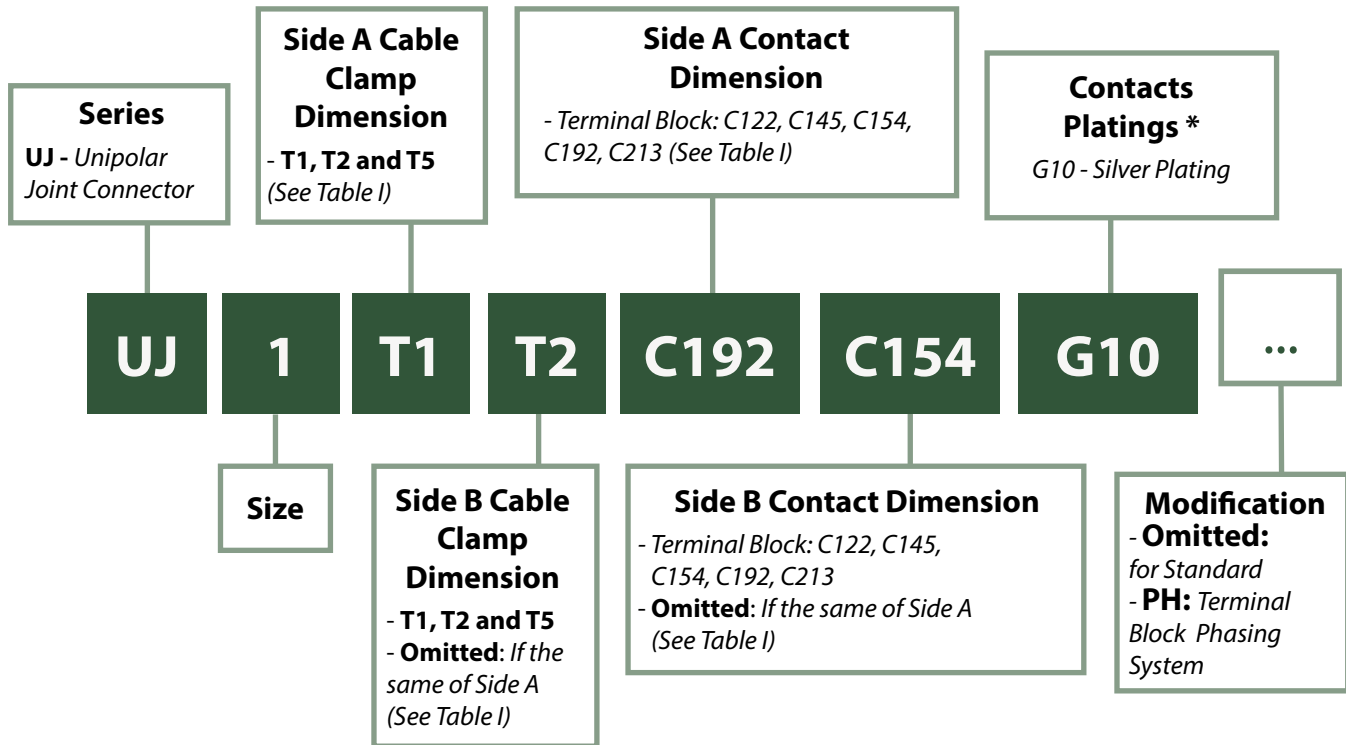


D



UJ Series Connector How to Order • Part Number Breakdown

UJ 1 - How to Order



* for **Contact Platings**: please consult the Sales Department for further application requirements.

TABLE I - Crimp Bucket Contacts

Cables referred to EN 50264

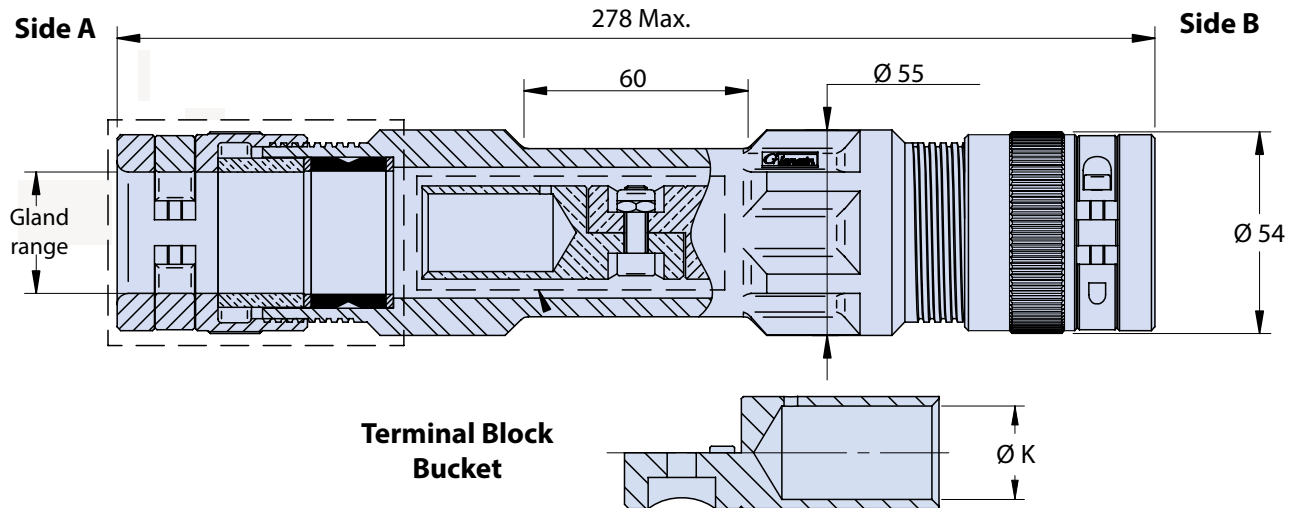
UJ1 Contact P/N	Terminal Block Bucket (K) (mm)	Cable Section (mmq)	Min. Conductor (mm)	Max Conductor (mm)	Min Cable (mm)	Max Cable (mm)	Gland Range 1 (mm)	Gland Range 2 (mm)	Working Current (A) *
C122	12.2	70	11	12	12	25	T2=18-25	T5=12-18	300
C145	14.5	95	12.4	14.3	12	25	T2=18-25	T5=12-18	400
C154	15.4	120	14.2	15	12	25	T2=18-25	T5=12-18	450
C192	19.2	185	17.3	18.2	18	25	T2=18-25	T2=18-25	500
C213	21.3	240	19.1	20.5	24	29	T2=18-25	T1=25-29	750

* Related to cables ampacity.

For different cable dimensions, please contact the factory.

UJ 1 CONNECTOR CHARACTERISTICS

Single Connector weight: 900.0 gr



APPLICATION NOTES:

- 1 - In line junction with polymeric based body and metal strain relief parts RoHS compliant
- 2 - Crimp contacts face-face coupling with screw locking
- 3 - Arrangement: Single pole
- 4 - Contacts: hermaphrodite crimp contacts face-face coupling with screw locking
- 5 - Working voltage: 3'500 Vac RMS/Vdc
- 6 - Test voltage: 12'000 Vac RMS
- 7 - Working temperature: (-40 to +150)°C
- 8 - Water proof: IP 67 level (coupled connectors)
- 9 - Max. contact resistance: $\geq 0.5 \text{ m}\Omega$
- 10 - Contacts: copper alloy with silver plating (G10) - Phasing System available
- 11 - Gaskets: silicone rubber
- 12 - Cable clamp: aluminum alloy (cable clamp) with electrodeposited black paint
- 13 - Plastic parts: black thermoplastic resin (body)
- (UL 94: V0; NFF 16-102: I2F2 exigence 3; BS; ASTM; UNI-CEI11170)
- 14 - Screws: stainless steel.

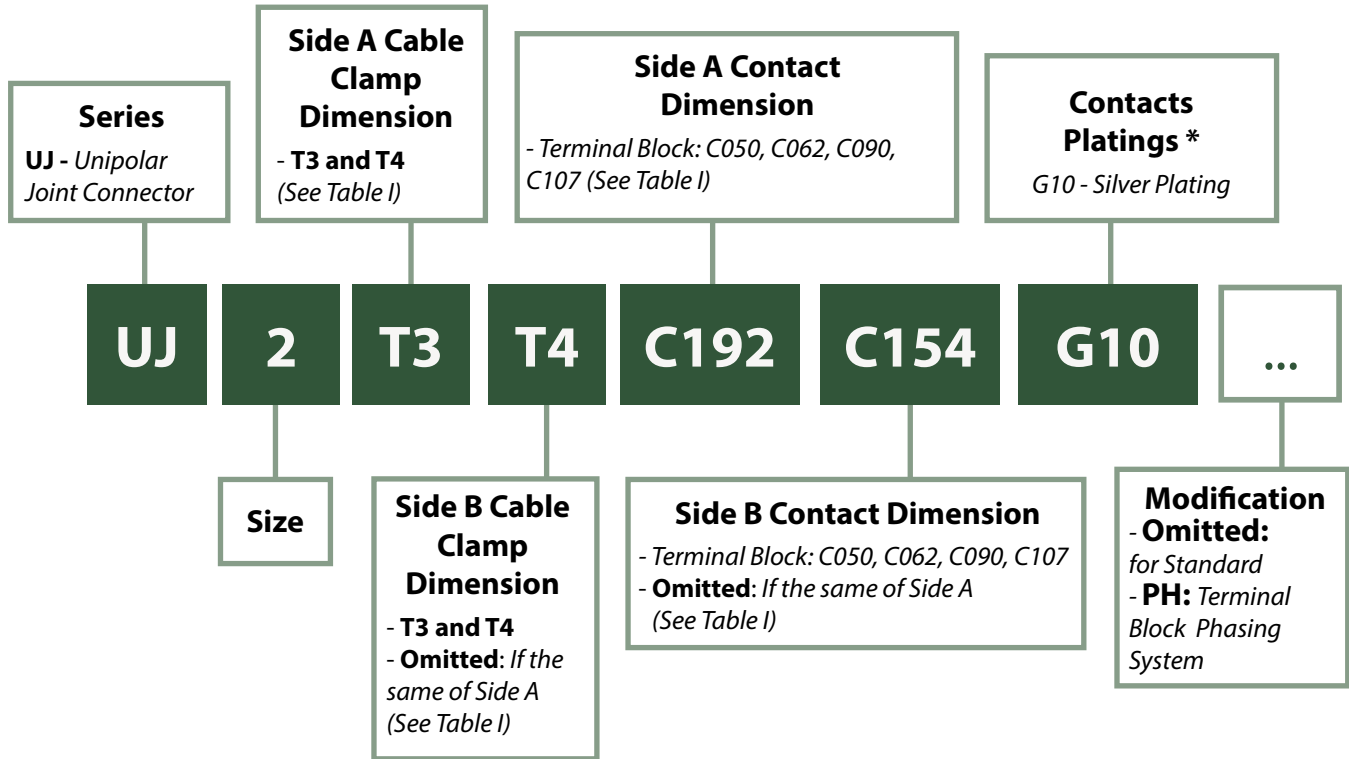
PROCEDURES TABLE

Description	Procedure
Electrical Characteristics	CEI EN 50124 and CEI EN 60077
Environmental Conditions	CEI EN 50125
IP Level	CEI EN 60529
Shock and Vibration	CEI EN 61373
Corrosion	VG 95210 - 2
Fire Protection	UNI CEI 1170 - 3



UJ Series Connector How to Order • Part Number Breakdown

UJ 2 - How to Order



* for **Contact Platings**: please consult the Sales Department for further application requirements.

TABLE I - Crimp Bucket Contacts

Cables referred to EN 50264

UJ1 Contact P/N	Terminal Block Bucket (K) (mm)	Cable Section (mm ²)	Min. Conductor (mm)	Max Conductor (mm)	Min Cable (mm)	Max Cable (mm)	Gland Range 1 (mm)	Gland Range 2 (mm)	Working Current (A) *
C050	5	10	3.9	4.3	5	18	T3=5-12	T4=9-18	100
C062	6.2	16	5	6	5	18	T3=5-12	T4=9-18	120
C090	9	35	7.7	8.8	5	18	T3=5-12	T4=9-18	150
C107	10.7	50	9.2	10.4	5	18	T3=5-12	T4=9-18	200

* Related to cables ampacity.

For different cable dimensions, please contact the factory.

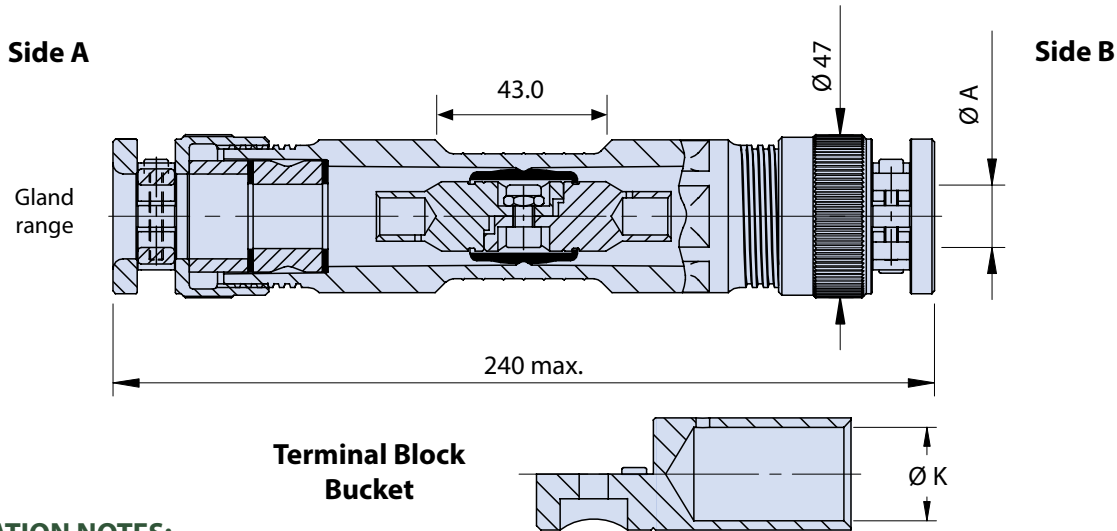
UJ Series Connector

How to Order • Part Number Breakdown



UJ 2 CONNECTOR CHARACTERISTICS

Single Connector weight: 540.0 gr



APPLICATION NOTES:

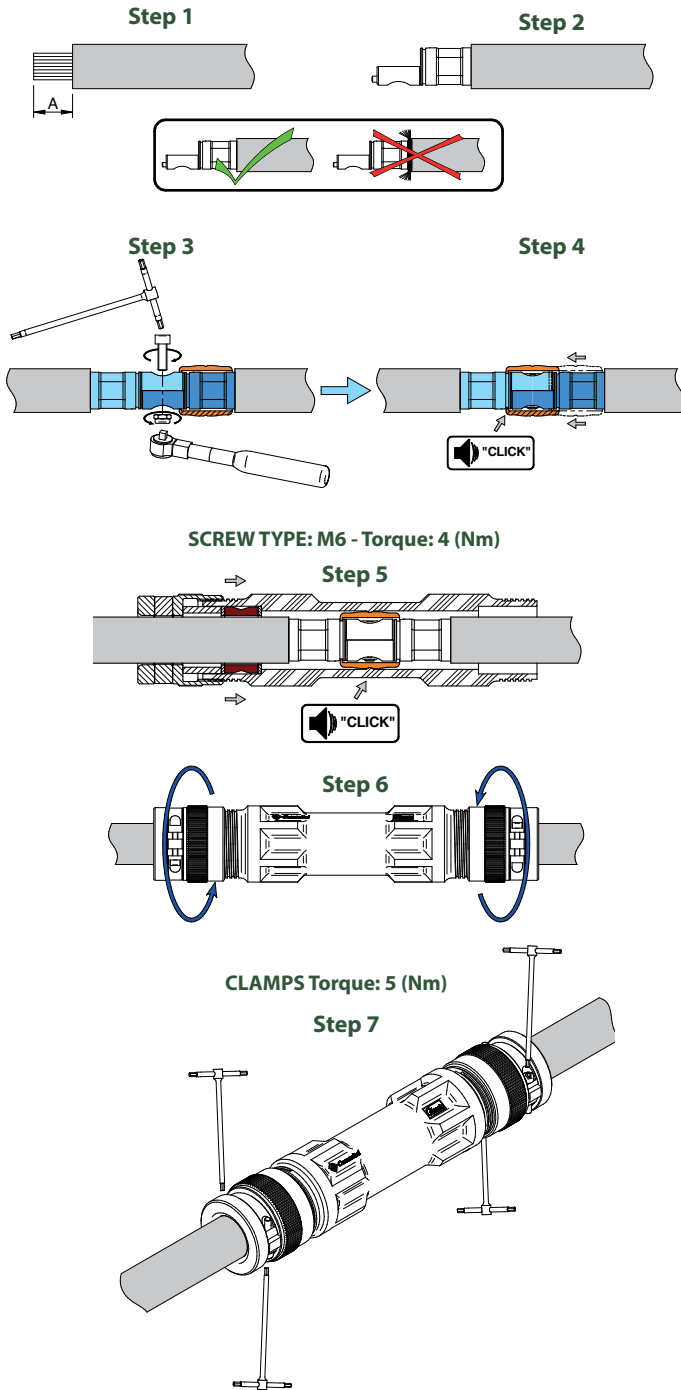
- 1 - In line junction with polymeric based body and metal strain relief parts RoHS compliant
- 2 - Crimp contacts face-face coupling and screw locking
- 3 - Arrangement: Single pole
- 4 - Contacts: hermaphrodite crimp contacts, phasable, face-face coupling with screw locking
- 5 - Working voltage: 3'500 Vac RMS/Vdc
- 6 - Test voltage: 12000 Vac RMS
- 7 - Working temperature: (-40 to +150)°C
- 8 - Water proof: IP 67 level (coupled connectors)
- 9 - Max. contact resistance: $\geq 0.5 \text{ m}\Omega$
- 10 - Contacts: copper alloy with silver plating (G10) - Phasing System available
- 11 - Gaskets: silicone rubber
- 12 - Cable clamp: aluminum alloy with electrodeposited black paint
- 13 - Insulator: black thermoplastic resin (body)
- (UL 94: V0; NFF 16-102: I2F2 exigence 3; BS; ASTM; UNI-CEI 11170)
- 14 - Screws: stainless steel.

PROCEDURES TABLE

Description	Procedure
Electrical Characteristics	CEI EN 50124 and CEI EN 60077
Environmental Conditions	CEI EN 50125
IP Level	CEI EN 60529
Shock and Vibration	CEI EN 61373
Corrosion	VG 95210 - 2
Fire Protection	UNI CEI 1170 - 3

CRIMPING INSTRUCTIONS AND TOOLS

CRIMPING STEPS



SCREW TYPE: M6 - Torque: 4 (Nm)

CLAMPS Torque: 5 (Nm)

- CROSS BAR SCREW TYPE: M4 - Torque: 4 to 6 Max. (Nm)
- ELECTRICAL TEST: 5000 MΩ - 3500 Vcc (1 Min.)

TABLE 1 - UJ1 Contacts

CONTACT P/N	A (+0.5/0) (mm)	DIE	CRIMP TOOL	TENSILE STRENGTH (N)
C122	23	M.112016	M.105013	2800
C145				3700
C154		M.112012		4800
C192				4800
C213	28	M.112018		

TABLE 2 - UJ2 Contacts

CONTACT P/N	A (+0.5/0) (mm)	DIE	CRIMP TOOL	TENSILE STRENGTH (N)
C050	12	M.112005	M.112004	890
C062		M.112006		1200
C090	14	M.112010		2200
C107				2800

CRIMP TOOLS



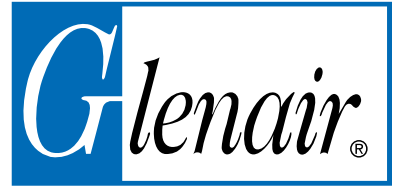
Oleodynamic Crimp Tool



Die for Oleodynamic Crimp Tool

For further Crimping Steps details, please contact the factory.

UJ Series Connector Crimping Instructions and Tools



WARNING

FAILURE TO FOLLOW THESE INSTRUCTIONS MAY RESULT IN DAMAGE TO EQUIPMENT, SERIOUS PERSONAL INJURY OR EVEN DEATH.

It is the user's responsibility to ensure these products are used safely. Glenair, Inc., including all Glenair, Inc. subsidiaries, is NOT responsible for damage to equipment, personal injury or death from use of Glenair, Inc. products.

Only qualified electrical technicians should use interconnection products in high voltage and other electrical conditions.

Interconnection products must be clean and dry when installed. Mating and de-mating should never occur under load.

Damaged interconnection products must be replaced immediately by a trained electrical technician.

Glenair, Inc. reserves the right to modify this Warning, any other warning, all catalogs, glenair.com website, and any other technical information with or without notice.

For further information and technical assistance, please contact your local Glenair Sales Office or see our website: **www.glenair.com**



Product Description	Page
Introduction	Intro
Introducing the Glenair Power Connectors Series	A-1 - A-2
IRT Series Connectors - Rectangular Multi Pole Power Connector	
Worldwide Applications	A-3
Technical Characteristics	A-4 - A-5
Components Exploded View	A-6 - A-7
Mating and Unmating System	A-8
Available Configuration	A-9 - A-13
How to Order - Part Number Breakdown	A-14
IRT Connectors - SIZE 01 - n.3 Contact Screw Mating	
Receptacle Shell Size 01 for Metallic Gland - <i>IRT01R31-PM / IRT01R31-SM</i>	A-15
Plug Shell Size 01 for Metallic Gland - <i>IRT01P-31PM / IRT01P-31SM</i>	A-17
Receptacle Shell Size 01 for Clamp with Strain Relief - <i>IRT01R-31PE / IRT01R-31SE</i>	A-19
Plug Shell Size 01 for Clamp with Strain Relief - <i>IRT01P-31EM / IRT01P-31SE</i>	A-21
Receptacle Shell Size 01 for Screen EMC Gland - <i>IRT01R-31PS / IRT01R-31SS</i>	A-23
Plug Shell Size 01 for Screen EMC Gland - <i>IRT01P-31PS / IRT01P-31SS</i>	A-25
IRT Connectors - SIZE 02 - n.4 Contact Screw Mating	
Receptacle Shell Size 02 for Metallic Gland - <i>IRT02R-41PM / IRT02R-41SM</i>	A-27
Plug Shell Size 02 for Metallic Gland - <i>IRT02P-41PM / IRT02P-41SM</i>	A-29
Receptacle Shell Size 02 for Clamp with Strain Relief - <i>IRT02R-41PE / IRT02R-41SE</i>	A-31
Plug Shell Size 02 for Clamp with Strain Relief - <i>IRT02P-41PE / IRT02P-41SE</i>	A-33
Receptacle Shell Size 02 for Screen EMC Gland - <i>IRT02R-41PS / IRT02R-41SS</i>	A-35
Plug Shell Size 02 for Screen EMC Gland - <i>IRT02P-41PS / RT02P-41SS</i>	A-37

IRT Connectors - SIZE 03 - n.4 Contact Screw Mating

Receptacle Shell Size 03 for Metallic Gland - <i>IRT03R-41PM / IRT03R-41SM</i>	A-39
--	------

Plug Shell Size 03 for Metallic Gland - <i>IRT03P-41PM / IRT03P-41SM</i>	A-41
--	------

Receptacle Shell Size 03 for Clamp with Strain Relief - <i>IRT03R-41PE / IRT03R-41SE</i>	A-43
--	------

Plug Shell Size 03 for Clamp with Strain Relief - <i>IRT03P-41PE / IRT03P-41SS</i>	A-45
--	------

Receptacle Shell Size 03 for Screen EMC Gland - <i>IRT03R-41PS / IRT03R-41SS</i>	A-47
--	------

Plug Shell Size 03 for Screen EMC Gland - <i>IRT03P-41PS / IRT03P-41SS0</i>	A-49
---	------

IRT Connectors - SIZE 04 - n.3 Contact Screw Mating

Receptacle Shell Size 04 for Metallic Gland - <i>IRT04R-34PM / IRT04R-34SM</i>	A-51
--	------

Plug Shell Size 04 for Metallic Gland - <i>IRT04P-34PM / IRT04P-34SM</i>	A-53
--	------

Receptacle Shell Size 04 for Clamp with Strain Relief - <i>IRT04R-34PE / IRT04R-34SE</i>	A-55
--	------

Plug Shell Size 04 for Clamp with Strain Relief - <i>IRT04P-34PE / IRT04P-34SE</i>	A-57
--	------

Receptacle Shell Size 04 for Screen EMC Gland - <i>IRT04R-34PS / IRT04R-34SS</i>	A-59
--	------

Plug Shell Size 04 for Screen EMC Gland - <i>IRT04P-34PS / IRT04P-34SS</i>	A-61
--	------

IRT Connectors - SIZE 05 - n.4 Contact Screw Mating

Receptacle Shell Size 05 for Metallic Gland - <i>IRT05R-45PM / IRT05R-45SM</i>	A-63
--	------

Plug Shell Size 05 for Metallic Gland - <i>IRT05P-45PM / IRT05P-45SM</i>	A-65
--	------

Receptacle Shell Size 05 for Clamp with Strain Relief - <i>IRT05R-45PE / IRT05R-45SE</i>	A-67
--	------

Plug Shell Size 05 for Clamp with Strain Relief - <i>IRT05P-45PE / IRT05P-45SE</i>	A-69
--	------

Receptacle Shell Size 05 for Screen EMC Gland - <i>IRT05R-45PS / IRT05R-45SS</i>	A-71
--	------

Plug Shell Size 05 for Screen EMC Gland - <i>IRT05P-45PS / IRT05P-45SS</i>	A-73
--	------

Wiring Instructions - Receptacle and Plug Connectors	A-75
--	------

Crimping Table and Tools	A-79
--------------------------	------

ITS 901 Series Connectors - Reverse Bayonet Single Pole Power Connector Page

Introduction	B-1
Technical Characteristics	B-2 - B-3
Components Exploded View	B-4
Available Configurations	B-5
How to Order / Part Number Breakdown	B-6

ITS 901 02 Front and Rear Mount Receptacle

ITS901 02 50-2P / ITS901 02 50-3P / ITS901 02 50-31P / ITS901 02 50-N31P B-7

ITS901 02 50-2S / ITS901 02 50-3S / ITS901 02 50-31S / ITS901 02 50-N31S B-7

ITS 901 00 - 1 Front and Rear Mount Receptacle Connector for Single Wires Cable Clamp

ITS90100 50-2P1 / ITS90100 50-3P1 / ITS90100 50-31P1 / ITS90100 50-N31P1 B-9

ITS90100 50-2S1 / ITS90100 50-3S1 / ITS90100 50-31S1 / ITS90100 50-N31S1 B-9

ITS 901 06 - 1 Straight Cylindrical Plug for Single Wires Cable Clamp

ITS90106 50-2P1 / ITS90106 50-3P1 / ITS90106 50-31P1 / ITS90106 50-N31P1 B-11

ITS90106 50-2S1 / ITS90106 50-3S1 / ITS90106 50-31S1 / ITS90106 50-N31S1 B-11

ITS 901 06G - 1 Straight Plug with Rubber Recovered Coupling for Single Wires Cable Clamp B-13

ITS90106G 50-2P1 / ITS90106G 50-3P1 / ITS90106G 50-31P1 / ITS90106G 50-N31P1 B-13

ITS90106G 50-2S1 / ITS90106G 50-3S1 / ITS90106G 50-31S1 / ITS90106G 50-N31S1 B-13

ITS 901 00 - 2 Front and Rear Mount Receptacle for Jacketed Cable

ITS90100 50-2P2 / ITS90100 50-3P2 / ITS90100 50-31P2 / ITS90100 50-N31P2 B-15

ITS90100 50-2S2 / ITS90100 50-3S2 / ITS90100 50-31S2 / ITS90100 50-N31S2 B-15

ITS 901 06 - 2 Straight Cylindrical Plug for Jacketed Cable

ITS90106 50-2P2 / ITS90106 50-3P2 / ITS90106 50-31P2 / ITS90106 50-N31P2 B-17

ITS90106 50-2S2 / ITS90106 50-3S2 / ITS90106 50-31S2 / ITS90106 50-N31S2 B-17

ITS 901 06G - 2 Straight Plug with Rubber Recovered Coupling for Jacketed Cable	
<i>ITS90106G 50-2P2 / ITS90106G 50-3P2 / ITS90106G 50-31P2 / ITS90106G 50-N31P2</i>	B-19
<i>ITS90106G 50-2S2 / ITS90106G 50-3S2 / ITS90106G 50-31S2 / ITS90106G 50-N31S2</i>	B-19
ITS 901 00 - 3 Front and Rear Mount Receptacle for Single Wires and Conduit	
<i>ITS90100 50-2P3 / ITS90100 50-3P3 / ITS90100 50-31P3 / ITS90100 50-N31P3</i>	B-21
<i>ITS90100 50-2S3 / ITS90100 50-3S3 / ITS90100 50-31S3 / ITS90100 50-N31S3</i>	B-21
ITS 901 06 - 3 Straight Plug for Single Wires and Conduit for Single Wires and Conduit	
<i>ITS90106 50-2P3 / ITS90106 50-3P3 / ITS90106 50-31P3 / ITS90106 50-N31P3</i>	B-23
<i>ITS90106 50-2S3 / ITS90106 50-3S3 / ITS90106 50-31S3 / ITS90106 50-N31S3</i>	B-23
ITS 901 06G - 3 Straight Cylindrical Plug with Rubber Recovered Coupling	
<i>ITS90106 G50-2P3 / ITS90106 G50-3P3 / ITS90106 G50-31P3 / ITS90106 G50-N31P3</i>	B-25
<i>ITS90106 G50-2S3 / ITS90106 G50-3S3 / ITS90106 G50-31S3 / ITS90106 G50-N31S3</i>	B-25
Accessories - 979-02T F6 / 979-TM-B	B-27
Accessories - TP 2 110 / SP 979-46 (Non Conductive) / 979 05-F6	B-28
Assembly Instructions - Receptacle and Plug Connectors	B-29
Panel Cut Out and Mounting Data / Crimping Table and Tools	B-33
ITS 500 - Reverse Bayonet Single Pole Power Connector	
Page	
Intoduction	C-1
Technical Characteristics	C-2 - C-3
Components Exploded View	C-4
Available Configurations	C-5
How to Order / Part Number Breakdown	C-6
<i>ITS0000GA40 - Front Panel Mount Square Flange Receptacle</i>	C-7



<i>ITS500030GA40</i> - Rear Panel Mount Square Flange Receptacle	C-9
<i>ITS50006GA40</i> - Straight Cylindrical Plug	C-11
<i>ITS50000GB40</i> - Front Panel Mount Square Flange Receptacle	C-13
<i>ITS500030GB40</i> - Rear Panel Mount Square Flange Receptacle	C-15
<i>ITS50006GB40</i> - Straight Cylindrical Plug	C-17
<i>ITS50000GC40</i> - Front Panel Mount Square Flange Receptacle	C-19
<i>ITS500030GC40</i> - Rear Panel Mount Square Flange Receptacle	C-21
<i>ITS50006GC40</i> - Straight Cylindrical Plug for Plastic or Metallic Conduit	C-23
<i>ITS50000GE40</i> - Front Panel Mount Square Flange Receptacle	C-25
<i>ITS500030GE40</i> - Rear Panel Mount Square Flange Receptacle	C-27
<i>ITS50006GE40</i> - Straight Cylindrical Plug	C-29
Accessories	C-31
Accessories	C-32
Panel Cut Out and Mounting Data / Crimping Table and Tools	C-33
Assembly Instructions	C-34
UJ Series Connectors - Revolutionary Connection System	
Introducing the Power Joint System	D-1
Connectors and Cables Assembly Procedure	D-3
UJ Connectors - 2 and 3 Ways Supports	D-5
Assembly Drawings and Dimensions	D-6
UJ1 - How to Order / Part Number Breakdown	D-7
UJ2 - How to Order / Part Number Breakdown	D-9
Crimping Instructions and Tools	D-11

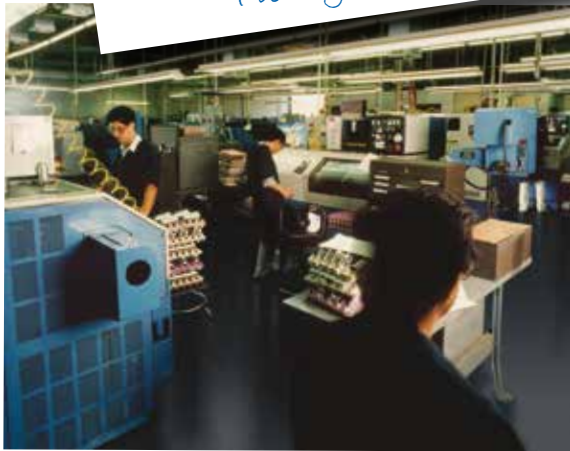
WHY CHOOSE GLENNAIR?



Plenty of Raw Materials!



Outstanding
Customer Service!



Abundant Machining Capacity!

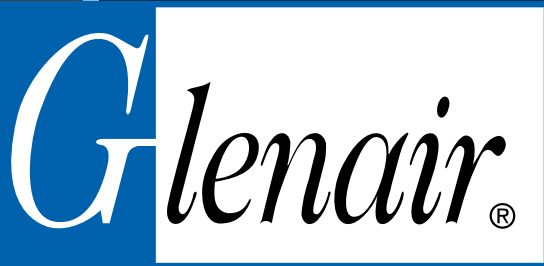


In-House Assembly!



Huge "Same-Day" Inventory!

Glenair®



Out of This World
**INTERCONNECT
SOLUTIONS**

Glenair, Inc.

1211 Air Way • Glendale, California • 91201-2497
Telephone: 818-247-6000 • Fax: 818-500-9912 • sales@glenair.com
www.glenair.com

**Glenair Power
Products Group**

860 N. Main Street Extension
Wallingford, CT
06492

Telephone:
203-741-1115
Facsimile:
203-741-0053
sales@glenair.com

Glenair UK Ltd

40 Lower Oakham Way
Oakham Business Park
P.O. Box 37, Mansfield
Notts, NG18 5BY England

Telephone:
+44-1623-638100
Facsimile:
+44-1623-638111
sales@glenair.co.uk

Glenair Microway Systems

7000 North Lawndale Avenue
Lincolnwood, IL
60712

Telephone:
847-679-8833
Facsimile:
847-679-8849

Glenair Nordic AB

Gustav III : S Boulevard 46
S - 169 27 Solna
Sweden

Telephone:
+46-8-50550000
Facsimile:
+46-8-50550001
sales@glenair.se

Glenair Electric GmbH

Schaberweg 28
61348 Bad Homburg
Germany

Telephone:
06172 / 68 16 0
Facsimile:
06172 / 68 16 90
germany@glenair.com

Glenair Iberica

C/ La Vega, 16
45612 Velada
Spain

Telephone:
+34-925-89-29-88
Facsimile:
+34-925-89-29-87
sales@glenair.es

Glenair Italia S.p.A.

Via Del Lavoro, 7
40057 Quarto Inferiore –
Granarolo dell'Emilia
Bologna, Italy

Telephone:
+39-051-782811
Facsimile:
+39-051-782259
info@glenair.it

Glenair France SARL

7, Avenue Parmentier
Immeuble Central Parc #2
31200 Toulouse
France

Telephone:
+33-5-34-40-97-40
Facsimile:
+33-5-61-47-86-10
sales@glenair.fr

