The logo for Glennair, featuring a large blue 'G' on a white background, followed by the word 'lennair' in a black serif font with a registered trademark symbol.

Glennair®



BAYONET-LOCK CONNECTORS

IPT SERIES

**HIGH-DENSITY MIL-DTL-26482 SERIES I CONNECTORS
VG95328 QUALIFIED**

FOR RUGGED MILITARY AND INDUSTRIAL APPLICATIONS

JUNE 2015

■ United Kingdom ■ Germany ■ France ■ Nordic ■ Italy ■ Spain ■ Japan

ETHERNET DATA

OCTOBYTE™

THE FASTER 4/8 POLE INTERCONNECTION SYSTEM
FOR ETHERNET DATA IN EVERY APPLICATIONS



ITH connector with **OCTOBYTE™** contacts is available with fully dedicated ETHERNET protocol or in a combo version where a mix of signal-power and Ethernet is required. RoHS compliant, IP67 (IP68 on request) exceeds performance expectations typical in harsh environmental applications found throughout Rail and Industrial markets. **OCTOBYTE™** contacts are vibration resistant and available to work with ETHERNET cables from CAT 5 to CAT 7A, MVB-WTB, RG58 Coax.



**Glenair IPT and IPT-SE Series
MIL-DTL-26482 Serie I Bayonet Connectors
Technical Reference**



Introduction

IPT and IPT SE product features and specifications

A

IPT-SE Series

High Performance Crimp Contact MIL-DTL-26482 Serie I Bayonet Connector



B

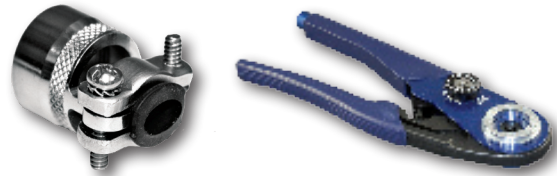
IPT Series

General Duty Solder and Crimp Contact MIL-DTL-26482 Serie I Bayonet Connector



C

Connector Accessories and Tools



D

Product Index

Complete Listing of Catalog Pages and Part Number Index



E

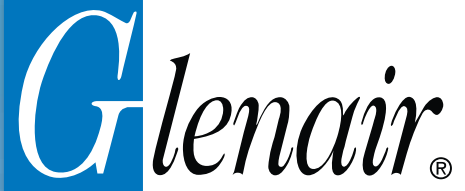


Glenair IPT and IPT-SE Series MIL-DTL-26482 Serie I Bayonet Connectors Summary of Connector Styles and Backshells

Glenair IPT and IPT SE series connectors offer rugged, high vibration performance and rapid mating for both high-performance and general duty signal connector applications. The products are environmentally sealed and can be equipped with EMI/RFI shield termination backshell accessories. IPT SE is qualified to VG 95328. Both product series are in accordance with MIL-DTL-26482 Serie I.

IPT-SE AND IPT PRODUCT FEATURES AND SPECIFICATIONS

Feature	Description
Applications	Factory equipment, off-road vehicles, military vehicles, sensors, power generators, and other industrial applications.
Shell Construction	Aluminum shell bodies provide durable performance in a lightweight package.
Mating System	Three pin bayonet system, 1/2 turn to full mate.
Shell Surface Coatings	A range of conductive and non-conductive surface coatings including standard Cadmium finishes as well as RoHS compliant electrostatic paint.
Environmental Sealing	Individual wire sealing grommets and optional environmental backshells provide moisture protection up to IP67.
Temperature Tolerance	F6, F7, F11 and G3 plated connectors are tested to -55°C to 125°C.
Contacts	High performance crimp contacts and retention clips (IPT SE) and general duty crimp and solder contacts (IPT).
Contact Plating	Copper alloy with gold plating.
Wire Gauge	Contacts support wire sizes #12 - #14 (Size 12), #16 - #20 gauge (Size 16) and #20 - #24 (size 20).
Insert Materials	Resilient high-insulation synthetic insert (polychloroprene or silicone). IPT SE version includes hard plastic retention clip retainer.
Insert Arrangements	IPT SE: 25 different power and signal insert arrangements, featuring 16 and 20 gauge contacts; 3 to 61 contacts. IPT: 39 different power and signal insert arrangements, featuring 12, 16 and 20 gauge contacts; 2 to 61 contacts.
EMI Shielding	Shield termination backshell accessories are available for all plug and receptacle configurations.
Shell Styles	Complete range of shell styles is available, including front and rear mount flange receptacles, jam nut receptacles, bulkhead feedthrus, and straight and 90° plugs.
Polarization	5 keyway configuration with optional polarization.
Approvals	IPT SE is qualified to VG 95328. Both IPT and IPT SE meet all requirements of MIL-DTL-26482 Serie I.
Intermateability	Intermateable with all industry standard bayonet connectors designed to MIL-DTL-26482 Serie I and VG 95328 including Veam VPT, Amphenol PT and ITT Cannon KPT.



**NO
MINS.**
No Dollar
or Quantity
Minimum Orders



SEACROW™ Connectors

Marine Bronze Connectors for
Harsh Environmental Applications



SEACROW™ Connectors

Marine Bronze Connectors for Harsh Environmental Applications

NO
MINS.
No Dollar
or quantity
Minimum Orders



Shipboard Application

Glenair manufactures connectors qualified to V96929, VG95234 and VG95328 standards. These connectors are mostly used in harsh-environment military applications for ground vehicles and ground systems. Our new Marine Bronze version increases the level of robustness of these connectors to be successfully used in all severe environment navy installations, as well as off-shore platforms, sea ports, geological and oceanographic applications.



Navy Application

IPT SE Series

High Performance Crimp Contact MIL-DTL-26482 Serie I Bayonet Connector

Section B



B

High Performance Crimp Contact

Bayonet-Lock Signal Connectors (MIL-DTL-26482 Serie I)

B-2

High Performance Crimp Contact (MIL-DTL-26482 Serie I)

Styles and Classes

B-3 ; B-4

Technical data

B-5

How to Order • Part Number Breakdown

B-6

VG95328 Part Number Cross Reference

B-7

Materials and Finishes

B-8

Pin and Socket Crimp Contact Dimensions

B-9

Insert Arrangement Tables and Sealing Plugs

B-10

Available Insert Arrangements

B-11 ; B12

Fastener Height Requirements and Panel Cutout Dimensions

B-13

IPT SE Connectors Configurations

B-14 ; B-63



Glenair IPT SE Series High Performance Crimp Contact Bayonet-Lock Signal Connectors (MIL-DTL-26482 Serie I)

IPT SE Brings High-Performance Crimp Contact Termination to MIL-DTL-26482 Serie I Bayonet Connectors

Harsh Application Environments

The Glenair Series IPT SE Bayonet-Lock Signal Connector is ideally suited for all general and environmental applications that require a high-performance military type cylindrical connector with crimp-removable contacts. Qualified to VG95328, the bayonet mechanism provides fast and easy coupling, especially when the connector is situated in an awkward or hard to reach location.

Environmental protection up to IP67 levels provides additional reliability and the flexibility to specify these rugged connectors in harsh

applications such as in machine tools and factory automation. Supplied crimp contacts are gold-plated copper alloy. Inserts are made from high-insulation synthetic rubber, oil and temperature resistant from -55° C to +125° C (polychloroprene) to +200° C (silicone).

Intermateability

The Series IPT SE Connector is interchangeable and intermateable with the wide range of industry-standard bayonet connectors designed around MIL-DTL-26482 Serie I and/or qualified to VG 95328, including ITT Cannon KPT.

Main Technical Characteristics

High Performance Crimp Version with Contact Retention Clips and Sealed Inserts—2 Contact Sizes: #20 and #16.

21 Signal Contact Insert Arrangements, 3 to 61 Contacts

Rear-Insertion/Front Release Snap-In Contacts

Intermateable with Other MIL-DTL-26482 Serie I Products

Ruggedized Contact Retention Clip

Environmentally Sealed System

Audible and Visual Coupling Indicators

Keyed Polarization

Styles and Classes

ASE: For general-duty applications. This connector-backshell assembly is supplied with a general-duty backshell for the attachment of additional accessories such as MS 3057 cable clamps (ordered separately). Individual wire sealing grommet supplied.

SE: For general-duty environmental applications using unjacketed wire bundles. Additional environmental sealing is provided through an individual wire sealing grommet in the connector and an overall cable grommet seal in the backshell. No cable clamp supplied.

ASE...NO: Wall mounting/In-line receptacle and plug with accessory threads in the rear for the backshell and accessories attachment; through mounting holes.

SE...SR: Same as class SE, but with cable clamp and bushing for strain-relief.

GSE: Plug with straight backshell for heatshrink boot.

MSE: Plug with backshell for EMI shield termination and/or heatshrink boot for Shell Styles IPT00, IPT01, IPT06 and IPT07.

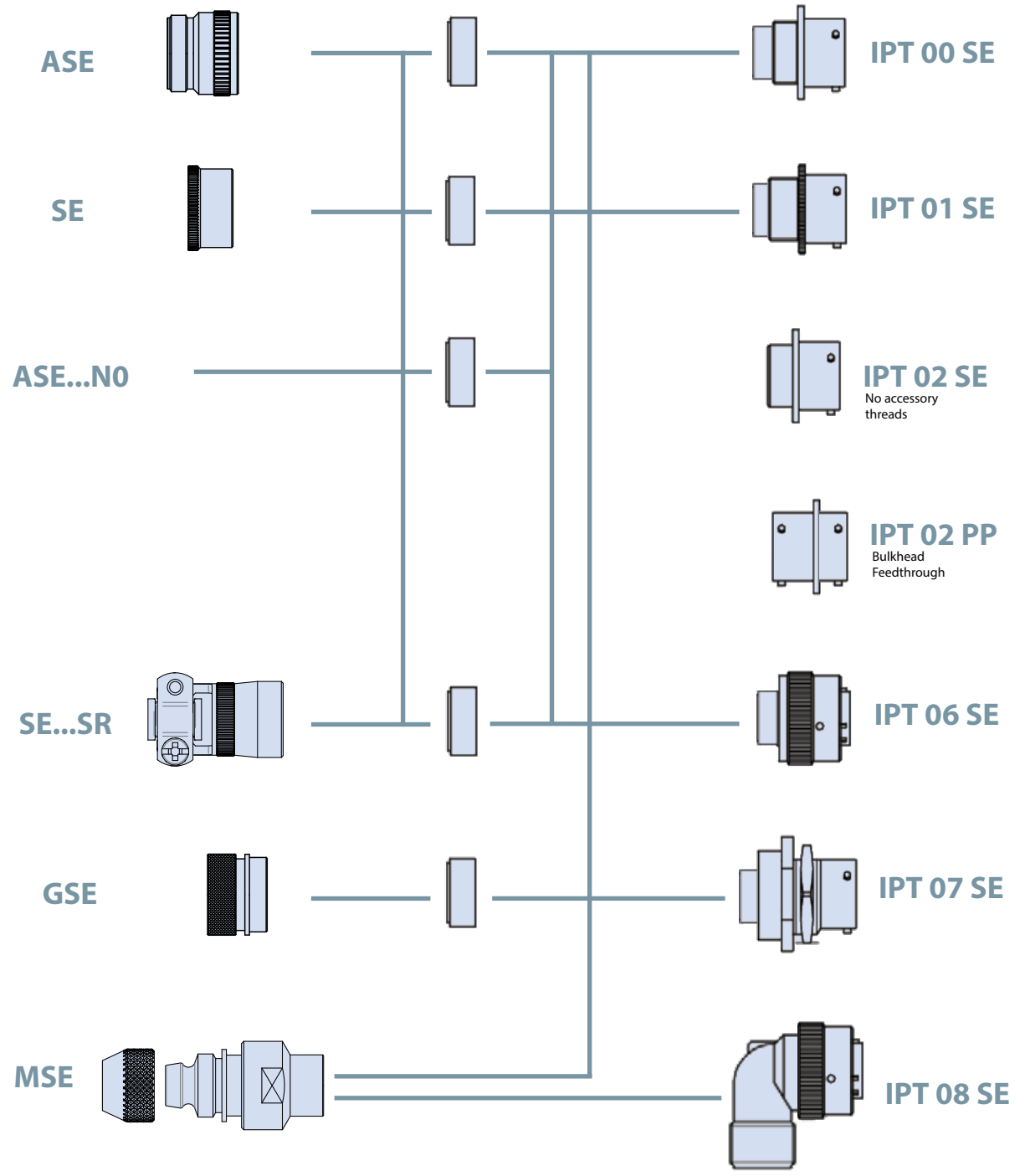
The Glenair IPT SE miniature bayonet-lock connector series features a 3 point bayonet coupling mating interface with stainless steel coupling pins for advanced durability. Resilient inserts provide outstanding dielectric performance and environmental protection. Individual wire sealing grommets elevate the environmental protection rating up to IP67.



Glenair IPT SE Series Bayonet-Lock High Performance Crimp Contact (MIL-DTL-26482 Serie I) Styles and Classes

Connector / Backshell Class	Backshells and Cable Clamps	Compression Ring	Grommet or Gland	Shell Styles
-----------------------------	-----------------------------	------------------	------------------	--------------

B



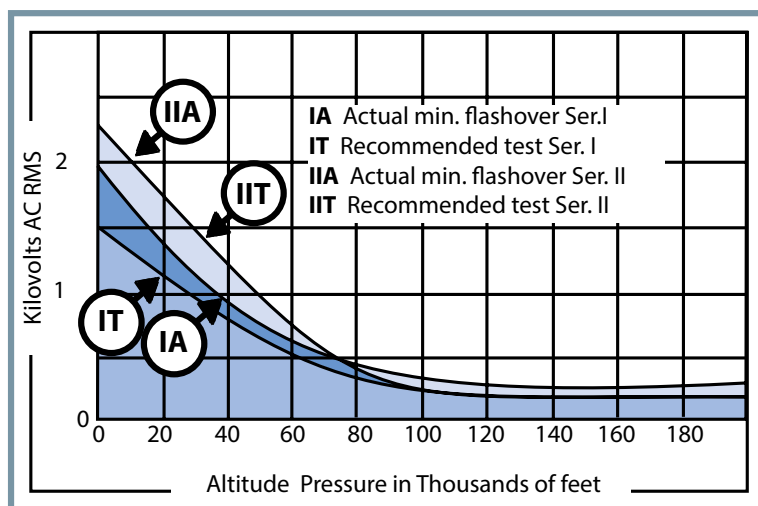
**Glenair IPT SE Series Bayonet-Lock
High Performance Crimp Contact (MIL-DTL-26482 Serie I)
Technical Data**



Service Rating			
Class	Operating voltage AC	Operating voltage DC	Test voltage AC
I	600	700	1500
II	1000	1250	2300

Potential Drop		
Contact size	Test current	Potential drop
20	7.5 A	25 mV
16	13.0 A	21 mV

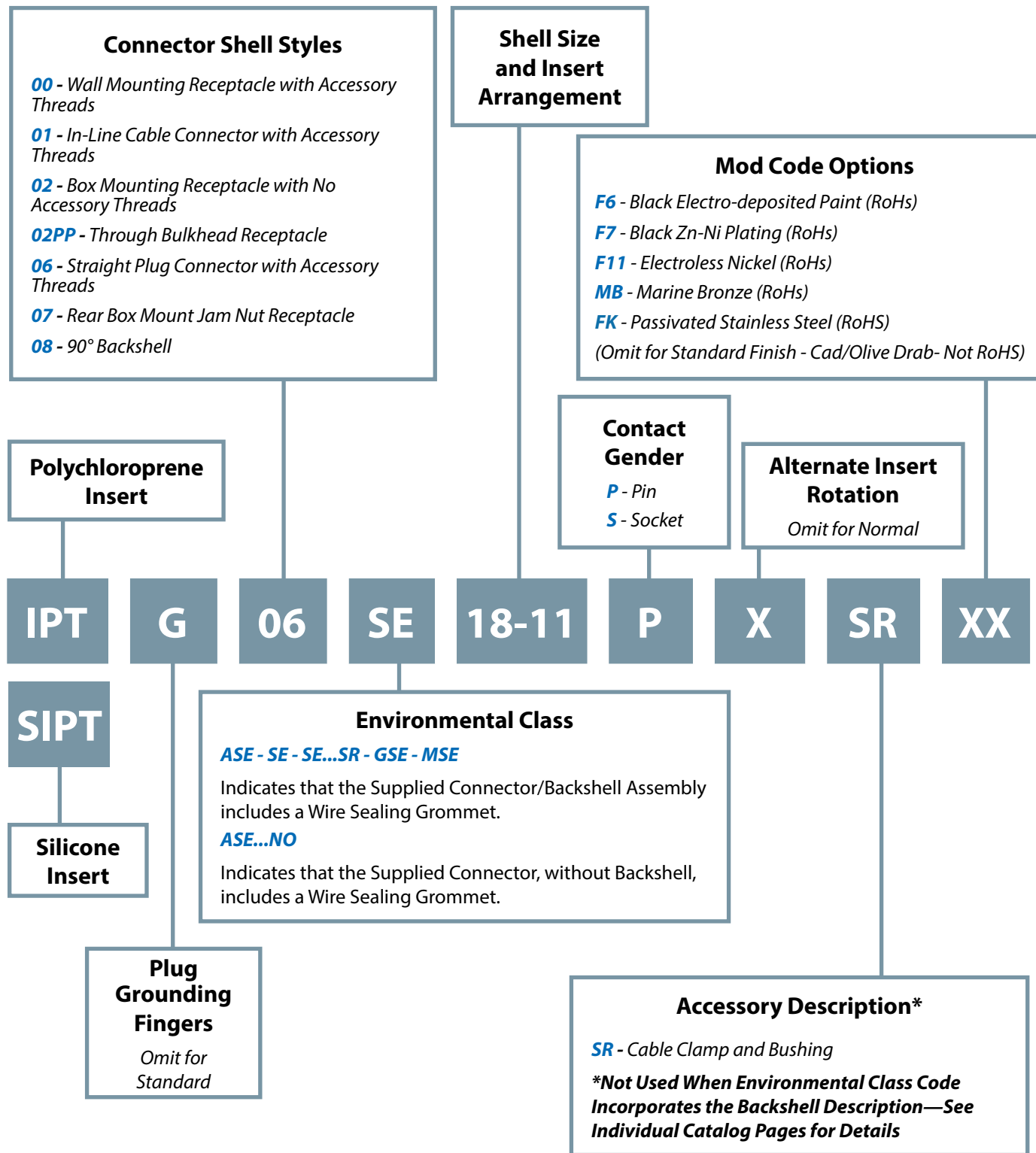
B



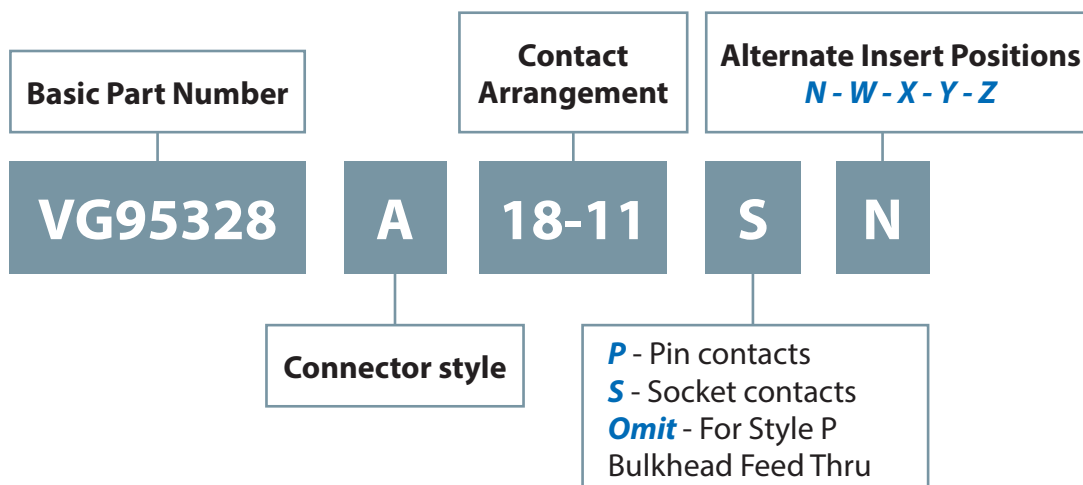


Glenair IPT SE Series Bayonet-Lock High Performance Crimp Contact (MIL-DTL-26482 Serie I) How to Order • Part Number Breakdown

B



VG95328 Part Number Cross Reference



CONNECTOR CROSS REFERENCE

VG95328 Connectors	MS	GLENAIR
VG95328 A	MS 3120 E	IPT 00 SE
VG95328 B	MS 3120 F	IPT 00 SE ... SR
VG95328 C	MS 3122 E	IPT 02 SE
VG95328 D	MS 3124 E	IPT 07 SE
VG95328 E	MS 3124 F	IPT 07 SE ... SR
VG95328 F	N.A.	N. A.
VG95328 G	N.A.	N. A.
VG95328 H	MS 3112 E	IPT 02 E
VG95328 J	N.A.	IPT 06 GSE
VG95328 K	MS 3126 F	IPT 06 SE ... SR
VG95328 L	N.A.	N. A.
VG95328 M	N.A.	IPT G 06 MSE
VG95328 N	N.A.	IPT G 06 ASE
VG95328 P	MS 3119 E	IPT 02 PP
VG95328 R	N.A.	IPT 00 MSE
VG95328 S	N.A.	IPT 07 GSE
VG95328 T	N.A.	IPT 07 MSE
VG95328 U	N.A.	N. A.
VG95328 V	N.A.	IPT G 06 GSE
VG95328 W	N.A.	N. A.

ACCESSORY CROSS REFERENCE

VG95328 Accessories	MS	GLENAIR
VG95328 Z1 A	MS 3181 C	IPT 3181 C
VG95328 Z1 B	N.A.	IPT 3181 CF
VG95328 Z1 C	N.A.	IPT 3181 Z1C
VG95328 Z2 A	MS 3180 C	IPT 3180 C
VG95328 Z2 B	N.A.	IPT 3180 CF
VG95328 Z2 C	N.A.	IPT 3180 Z2C
VG95328 Z3 C	N.A.	IPT 3181 NF
VG95328 T07 A	N.A.	10-101949
VG95328 T07 B	N.A.	N.A.
VG95328 T07 C	MS 3115	IPT 3115



Glenair IPT SE Series Bayonet-Lock High Performance Crimp Contact (MIL-DTL-26482 Serie I) Materials and Finishes

MATERIALS	
COMPONENT	MATERIAL
Shells	Aluminum Alloy IAW QQ-A-591 Shells Stainless Steel Coupling Pins Stainless Steel Spring
Inserts (Temperature Range)	High Insulation Synthetic Rubber (Polychloroprene): -55°C/+125°C (Silicone): -55°C/+200°C
Contacts	Copper Alloy with Gold Plating Over Nickel

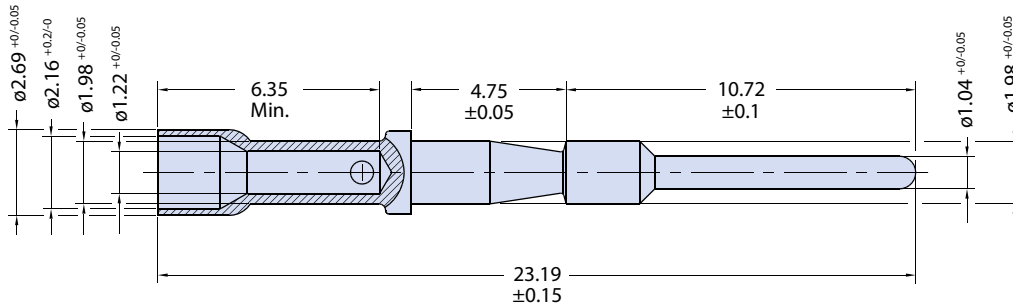
STANDARD MATERIAL & FINISH OPTIONS					
Property	RoHS				Not RoHS
	Alum/Black Non Conductive	Alum/Black Conductive	Alum/Electroless Nickel	Unplated/Marine Bronze	Alum/Cadmium Olive Drab
	F6	F7	F11	MB	G3
Temperature Range	-55°C + 200°C	-55°C + 175°C	-55°C + 200°C	-55°C + 200°C	-55°C + 175°C
Salt Spray Hours	500	500	48	1000	500
Electical Conductivity	NO	Very Good	Very Good	Very Good	Very Good

TABLE II: MODIFICATION CODES

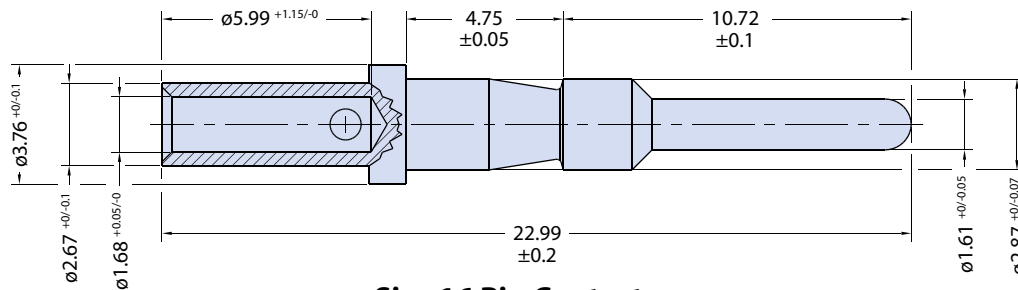
CONTACT OPTIONS	
Sym	Description
B0	Connector Without Contacts (Only for crimp version)
FINISH OPTIONS	
Sym	Description
F6	Black Electrodeposited Paint (RoHS)
F7	Black Zinc Nickel (RoHS)
F11	Electroless Nickel (RoHS)
MB	Marine Bronze (RoHS)
FK	Passivated Stainless Steel (RoHS)
Omit for std. Cadmium Olive Drab (non-RoHS)	

Conductive metal shells and plating provide a reliable ground plane for EMI applications when connectors are combined with appropriate shield termination backshells. Ground springs are also available in plug versions to further enhance EMC. Shells are keyed with five total alternate key positions. Inserts may also be clocked for additional polarization protection. The connectors are temperature rated from -55°C to +125°C / +200°C. High performance crimp contacts facilitate rapid assembly and repair.

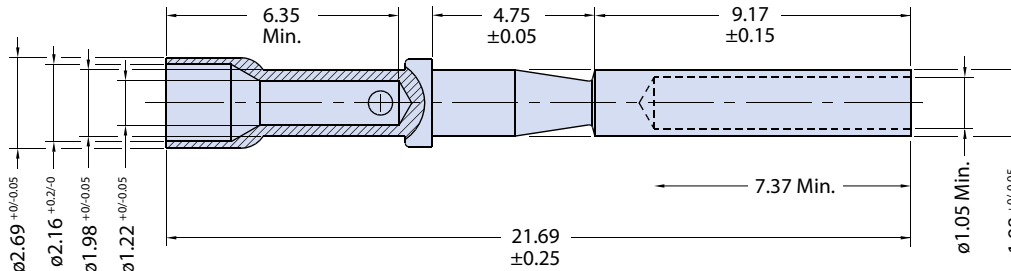
Crimp Contact Dimensions Pin and Socket



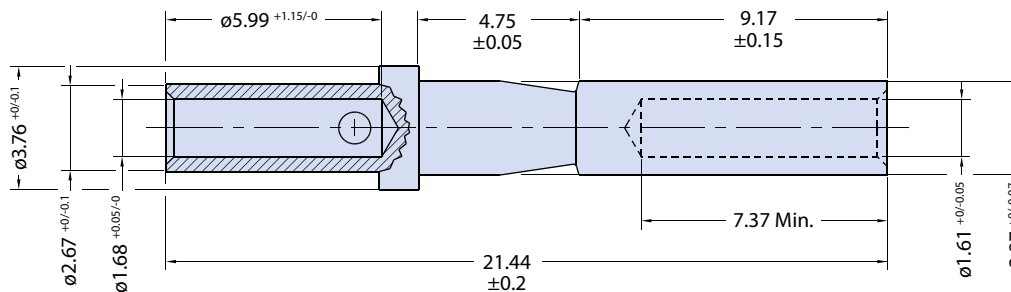
Size 20 Pin Contact
10-314980-20P



Size 16 Pin Contact
10-314980-16P



Size 20 Socket Contact
10-314980-20S



Size 16 Socket Contact
10-314980-16S

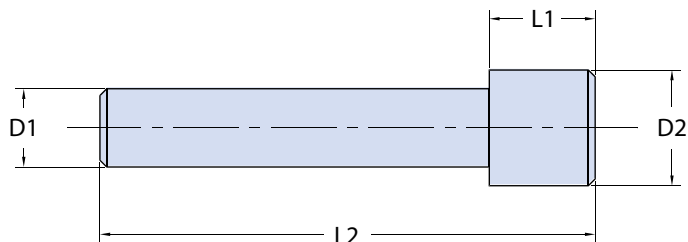
For Tools see page D-15

B



Glenair IPT SE Series Insert Arrangement Tables and Sealing Plugs

Sealing Plugs for Socket Cavity



SEALING PLUG DIMENSIONS					
Part Number	D1 ±0.1	D2 ±0.2	L1 ±0.1	L2 ±0.3	Color
DIN 65194-20	1.62	2.3	3.5	14.5	Red
DIN 65194-16	2.30	3.4	3.1	14.5	Blue

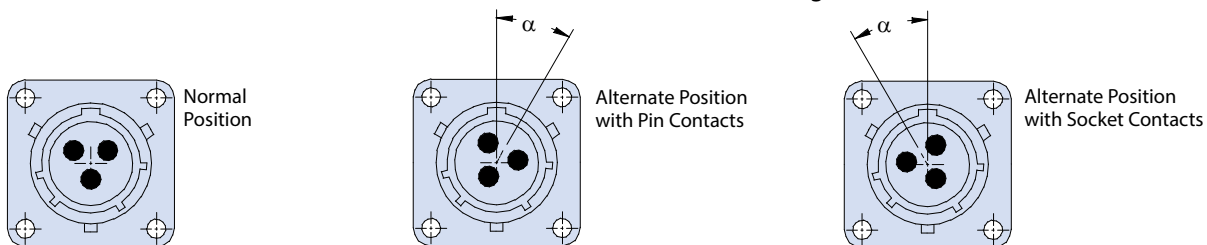
Insert Arrangement Tables

B

Arrangement	Cl. Isol. Rating	Dim. contact size	
		20	16
8 - 2	I	2	
8 - 3A	I	3	
8 - 4	I	4	
8-33	I	3	
10 - 6	I	6	
10 - 7	I	7	
12 - 3	II		3
12 - 10	I	10	
14 - 5	II		5
14 - 12	I	8	4
14 - 15	I	14	1
14 - 19	I	19	
16 - 8	II		8
16 - 23	I	22	1
16 - 26	I	26	
18 - 11	II		11
18 - 32	I	32	
20 - 16	II		16
20 - 39	I	37	2
20 - 41	I	41	
22 - 21	II		21
22 - 55	I	55	
24 - 61	I	61	

Arrangement	Degrees			
	W	X	Y	Z
8 - 2	58	122		
8 - 3A	60	210 ^a		
8 - 4	45			
8-33	90			
10 - 6	90			
10 - 7	90			
12 - 3			180	
12 - 10	60	155	270	295
14 - 5	40	92	184	273
14 - 12	43	90		
14 - 15	17	110	155	234
14 - 19	30	165	315	
16 - 8	54	152	180	331
16 - 23	158			
16 - 26	60		275	338
18 - 11	62	119	241	340
18 - 32	85	138	222	265
20 - 16	238	318	333	347
20 - 39	63	144	252	333
20 - 41	45	126	225	
22 - 21	16	135	175	349
22 - 55	30	142	226	314
24 - 61	90	180	270	324

^a Not for new design



Glenair IPT SE Series Available Insert Arrangements



2 Contacts



Arrangement:	8-2
Contact Size:	20
Service Rating:	I

4 Contacts



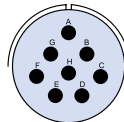
Arrangement:	8-4
Contact Size:	20
Service Rating:	I

6 Contacts



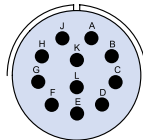
Arrangement:	10-6
Contact Size:	20
Service Rating:	I

8 Contacts



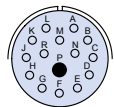
Arrangement:	16-8
Contact Size:	16
Service Rating:	II

11 Contacts



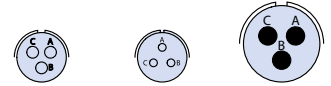
Arrangement:	18-11
Contact Size:	16
Service Rating:	II

15 Contacts



Arrangement:	14-15
Contact Size:	14-20, 1-16
Service Rating:	I

3 Contacts



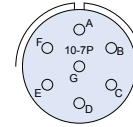
Arrangement:	8-3A	8-33	12-3
Contact Size:	20	20	16
Service Rating:	I	I	II

5 Contacts



Arrangement:	14-5
Contact Size:	16
Service Rating:	II

7 Contacts



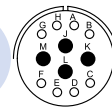
Arrangement:	10-7
Contact Size:	20
Service Rating:	I

10 Contacts



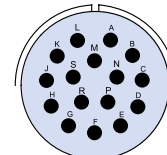
Arrangement:	12-10
Contact Size:	20
Service Rating:	I

12 Contacts



Arrangement:	14-12
Contact Size:	8-20, 4-16
Service Rating:	I

16 Contacts



Arrangement:	20-16
Contact Size:	16
Service Rating:	II

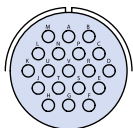
Contact Legend





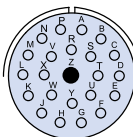
Glenair IPT SE Series Available Insert Arrangements

19 Contacts



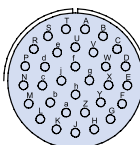
Arrangement:	14-19
Contact Size:	20
Service Rating:	I

23 Contacts



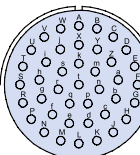
Arrangement:	16-23
Contact Size:	22-20, 1-16
Service Rating:	I

32 Contacts



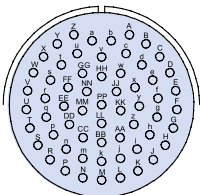
Arrangement:	18-32
Contact Size:	20
Service Rating:	I

41 Contacts



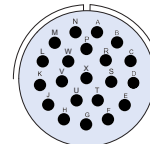
Arrangement:	20-41
Contact Size:	20
Service Rating:	I

61 Contacts



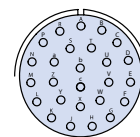
Arrangement:	24-61
Contact Size:	20
Service Rating:	I

21 Contacts



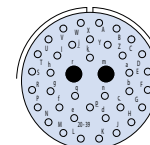
Arrangement:	22-21
Contact Size:	16
Service Rating:	II

26 Contacts



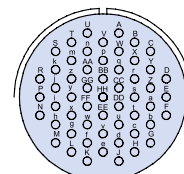
Arrangement:	16-26
Contact Size:	20
Service Rating:	I

39 Contacts



Arrangement:	20-39
Contact Size:	37-20, 2-16
Service Rating:	I

55 Contacts



Arrangement:	22-55
Contact Size:	20
Service Rating:	I

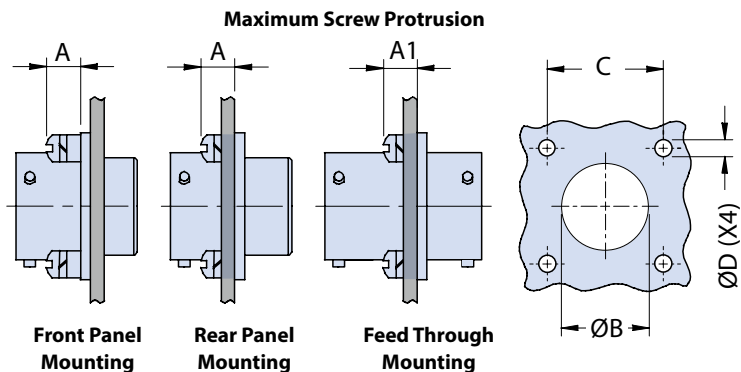
Contact Legend



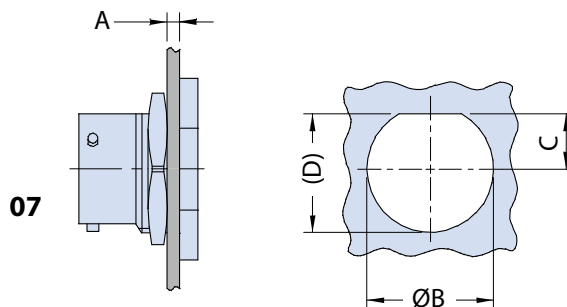
Glenair IPT SE Series Bayonet-Lock High Performance Crimp (MIL-C-26482 Type) Fastener Height Requirements and Panel Cutout Dimensions



For front panel mount square flange connectors (00) the "A" dimension indicates the measured maximums that mounting hardware can stand proud from the connector flange before it will interfere with connector mating. For rear box mount square flange connectors (02) the same "A" column maximum dimensions apply, but in this case the measurement taken includes the thickness of the panel wall or box (so the mounting hardware needs to be correspondingly shorter). Column "A1" defines the max dimensions for the bulkhead feedthrough (02PP) before mounting hardware interferes with mating.



Panel thickness and panel cutout						
Shell Size	A max	A1 max	ØB +0.2 / -0		C ±0.1	ØD ±0.12
			Front Panel	Rear Panel		
8	2.2	5.54	12.7	15.0	15.10	3.04
10	2.2	5.54	16.0	18.0	18.25	3.04
12	2.2	5.54	19.0	22.5	20.60	3.04
14	2.2	5.54	22.2	25.7	23.00	3.04
16	2.2	5.54	25.5	29.0	24.60	3.04
18	2.2	5.54	28.5	32.0	27.00	3.04
20	5.4	8.74	31.7	35.2	29.35	3.04
22	5.4	8.74	35.0	38.5	31.75	3.04
24	5.4	7.9	38.0	41.6	34.90	3.73

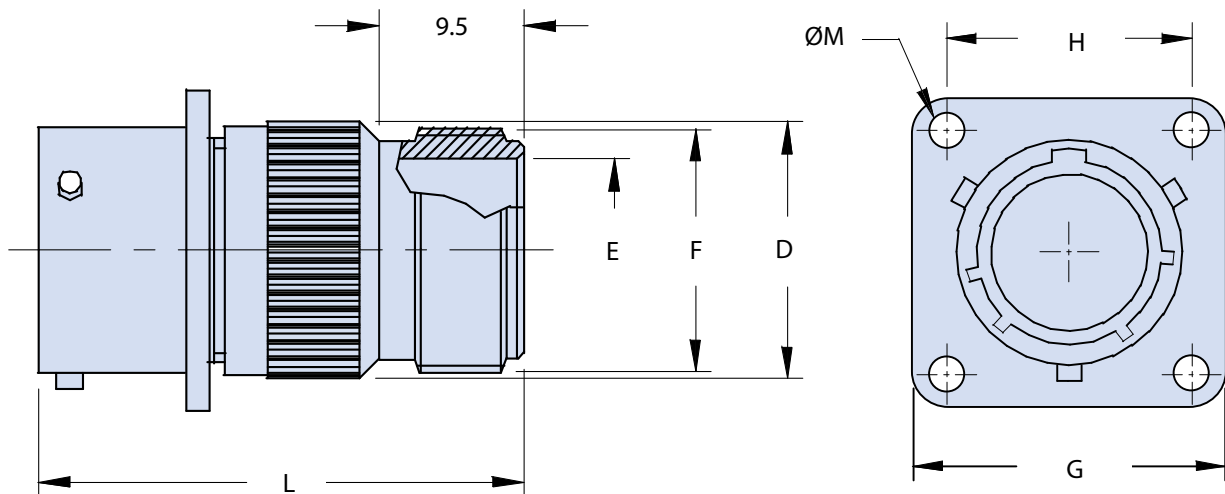
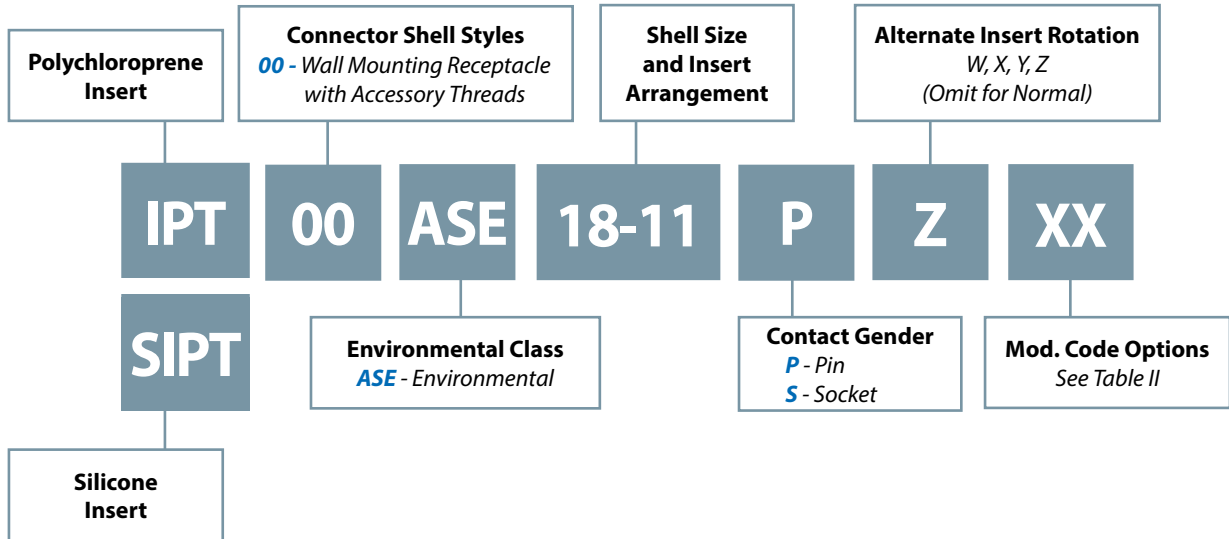


Panel thickness and panel cutout for Jam Nut connectors				
Shell Size	A min - max	ØB +0.2 / -0	C +0 / -0.25	(D)
8	1.6 - 3.2	14.5	6.35	13.6
10	1.6 - 3.2	17.7	7.95	16.8
12	1.6 - 3.2	22.7	9.55	20.9
14	1.6 - 3.2	25.7	11.25	24.1
16	1.6 - 3.2	28.8	12.80	27.2
18	1.6 - 3.2	32.0	14.40	30.4
20	1.6 - 6.3	35.1	16.10	33.6
22	1.6 - 3.2	38.4	17.6	36.8
24	1.6 - 3.2	41.5	19.25	40.0





IPT 00 ASE Front Panel Mount Square Flange Receptacle with Backshell



Application Notes

1. Wall mounting receptacle with accessory threads. Through mounting holes.
2. Connector Class "ASE" (environmental).
3. Standard materials configuration consists of aluminum alloy with stainless steel coupling pins.
4. Standard contact material consists of copper alloy with gold plating over nickel.
5. A broad range of other front and rear connector accessories are available. See our website and/or contact factory for complete information.
6. Standard insert is high insulation synthetic rubber.

IPT 00 ASE
Front Panel Mount Square Flange Receptacle
with Backshell



TABLE I: DIMENSIONS

Shell size	D Max.	E min.	F Thread in inches	G ±0.4	H ±0.1	ØM +0.1 0	L Max.
8	15.00	7.55	.5000 - 28 UNEF	20.6	15.10	3.04	45.9
10	18.20	10.70	.6250 - 24 UNEF	23.8	18.25	3.04	45.9
12	21.20	13.85	.7500 - 20 UNEF	26.2	20.60	3.04	45.9
14	24.60	16.85	.8750 - 20 UNEF	28.6	23.00	3.04	45.9
16	27.60	20.00	1.0000 - 20 UNEF	31.0	24.60	3.04	45.9
18	30.90	22.30	1.1875 - 18 UNEF	33.3	27.00	3.04	45.9
20	33.80	25.75	1.1875 - 18 UNEF	36.5	29.40	3.04	50.0
22	37.10	28.80	1.4375 - 18 UNEF	39.7	31.75	3.04	50.0
24	40.25	32.00	1.4375 - 18 UNEF	42.8	34.92	3.73	50.0

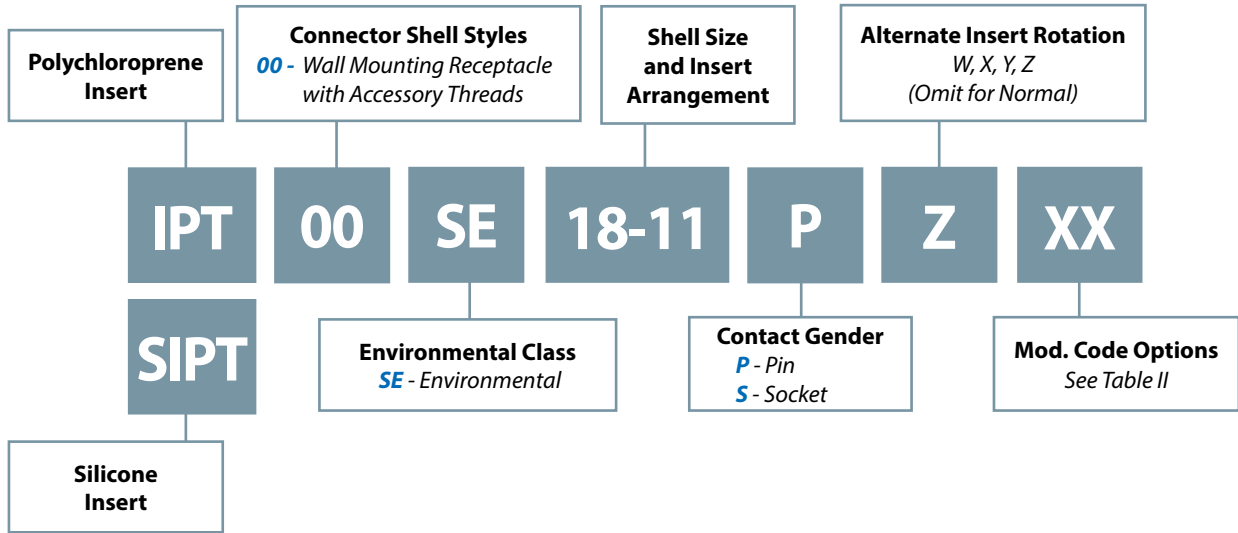
B

TABLE II: MODIFICATION CODES

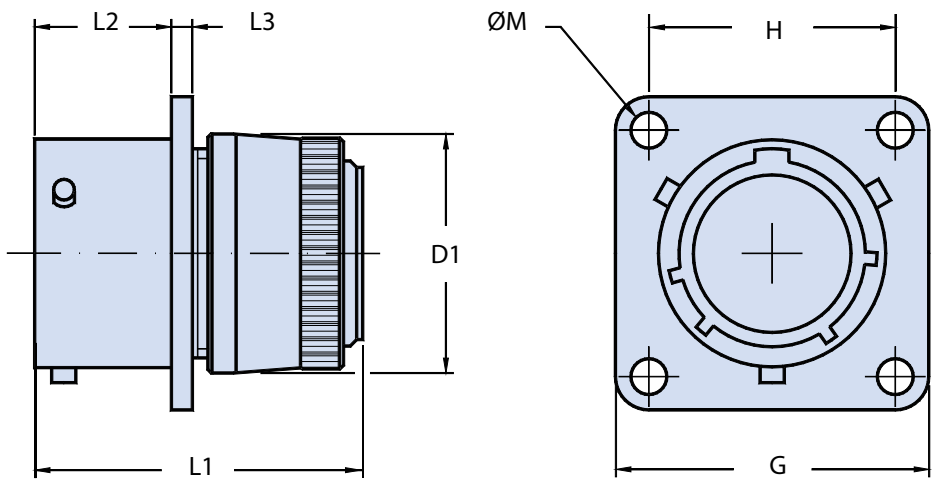
CONTACT OPTIONS	
Sym	Description
B0	Connector Without Contacts (Only for crimp version)
FINISH OPTIONS	
Sym	Description and RoHS compliant
F6	Black Electrodeposited Paint
F7	Black Zinc Nickel
F11	Electroless Nickel
MB	Marine Bronze
Omit for standard version (Cadmium Olive Drab Finish)	



IPT 00 SE Front Panel Mount Square Flange Receptacle with General Duty Backshell



B



Application Notes

1. Wall mounting receptacle with accessory threads includes sealing grommet and backshell for use with individual wires. Also includes general duty backshell for the attachment of various backend connector accessories; through mounting holes.
2. Connector Class "SE" (environmental).
3. Standard materials configuration consists of aluminum alloy with stainless steel coupling pins.
4. Standard contact material consists of copper alloy with gold plating over nickel.
5. A broad range of other front and rear connector accessories are available. See our website and/or contact factory for complete information.
6. Standard insert is high insulation synthetic rubber.

IPT 00 SE
Front Panel Mount Square Flange Receptacle
with General Duty Backshell



TABLE I: DIMENSIONS

Shell Size	D1 Max	G ±0.4	H ±0.1	ØM +0.1 0	L1 Max.	L2 + 0.8 - 0	L3 Max.
8	15.44	20.6	15.10	3.04	40	10.94	2.0
10	18.64	23.8	18.25	3.04	40	10.94	2.0
12	21.79	26.2	20.60	3.04	40	10.94	2.0
14	25.00	28.6	23.00	3.04	40	10.94	2.0
16	28.19	31.0	24.60	3.04	40	10.94	2.0
18	31.34	33.3	27.00	3.04	40	10.94	2.0
20	34.54	36.5	29.40	3.04	44	14.12	2.8
22	37.69	39.7	31.75	3.04	44	14.12	2.8
24	40.89	42.8	34.92	3.73	44	14.86	2.8

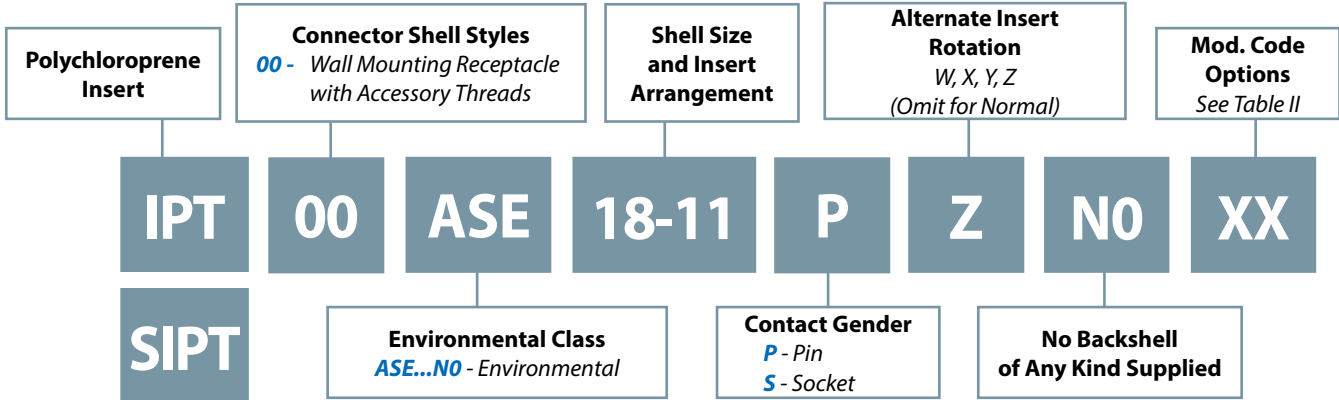


TABLE II: MODIFICATION CODES

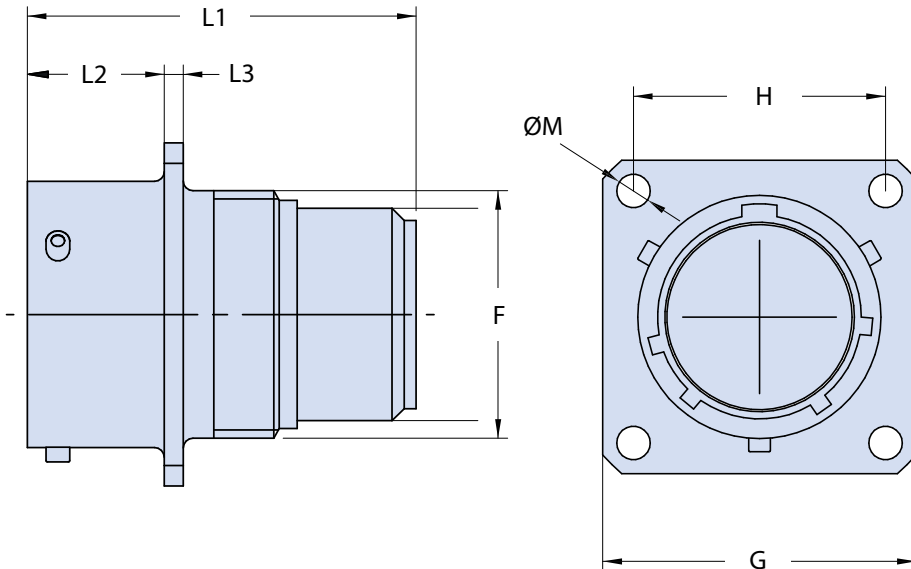
CONTACT OPTIONS	
Sym	Description
B0	Connector Without Contacts (Only for crimp version)
FINISH OPTIONS	
Sym	Description and RoHS compliant
F6	Black Electrodeposited Paint
F7	Black Zinc Nickel
F11	Electroless Nickel
MB	Marine Bronze
Omit for standard version (Cadmium Olive Drab Finish)	



IPT 00 ASE...NO
Front Panel Mount Square Flange Receptacle
without Backshell



B
Silicone Insert



Application Notes

1. Wall mounting receptacle with accessory threads in the rear flange for the backshell and accessories attachment; through mounting holes.
2. Connector Class "ASE...NO" (environmental).
3. Standard materials configuration consists of aluminum alloy with stainless steel coupling pins.
4. Standard contact material consists of copper alloy with gold plating over nickel.
5. A broad range of other front and rear connector accessories are available. See our website and/or contact factory for complete information.
6. Standard insert is high insulation synthetic rubber.

IPT 00 ASE...N0
Front Panel Mount Square Flange Receptacle
without Backshell



TABLE I: DIMENSIONS

Shell size	G ±0.4	H ±0.1	ØM +0.1 0	F Thread in inches	L1 Max.	L2 +0.8 -0	L3 Max.
8	20.6	15.10	3.04	.4375 - 28 UNEF	33.5	10.94	2.0
10	23.8	18.25	3.04	.5625 - 24 UNEF	33.5	10.94	2.0
12	26.2	20.60	3.04	.6875 - 24 UNEF	33.5	10.94	2.0
14	28.6	23.00	3.04	.8125 - 20 UNEF	33.5	10.94	2.0
16	31.0	24.60	3.04	.9375 - 20 UNEF	33.5	10.94	2.0
18	33.3	27.00	3.04	1.0625 - 18 UNEF	33.5	10.94	2.0
20	36.5	29.40	3.04	1.1875 - 18 UNEF	34.7	14.12	2.8
22	39.7	31.75	3.04	1.3125 - 20 UNEF	36.0	14.12	2.8
24	42.8	34.92	3.73	1.4375 - 18 UNEF	36.0	14.96	2.8



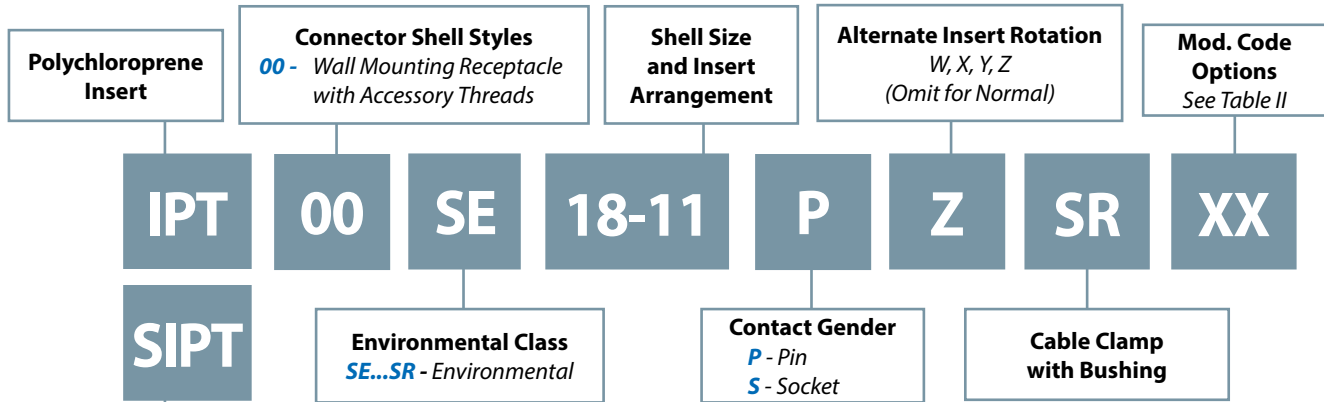
TABLE II: MODIFICATION CODES

CONTACT OPTIONS	
Sym	Description
B0	Connector Without Contacts (Only for crimp version)
FINISH OPTIONS	
Sym	Description and RoHS compliant
F6	Black Electrodeposited Paint
F7	Black Zinc Nickel
F11	Electroless Nickel
MB	Marine Bronze
Omit for standard version (Cadmium Olive Drab Finish)	

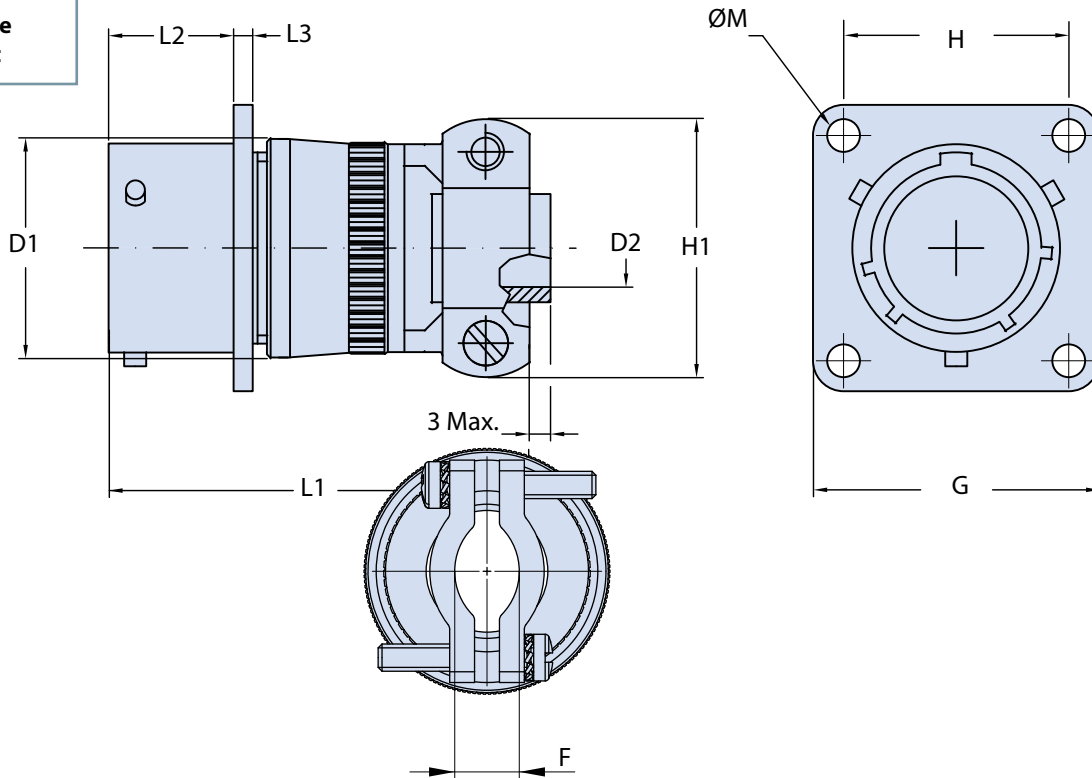


IPT 00 SE...SR

Front Panel Mount Square Flange Receptacle with Backshell, Cable Clamp and Bushing



Silicone Insert



Application Notes

1. Wall mounting receptacle with accessory threads with cable clamp and bushing for cable protection; through mounting holes.
2. Connector Class "SE...SR" (environmental).
3. Standard materials configuration consists of aluminum alloy with stainless steel coupling pins.
4. Standard contact material consists of copper alloy with gold plating over nickel.
5. A broad range of other front and rear connector accessories are available. See our website and/or contact factory for complete information.
6. Standard insert is high insulation synthetic rubber.

IPT 00 SE...SR
Front Panel Mount Square Flange Receptacle
with Backshell, Cable Clamp and Bushing

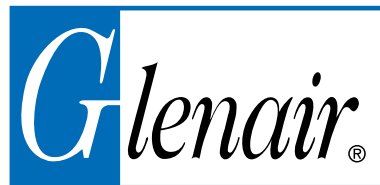


TABLE I: DIMENSIONS

Shell size	G ±0.4	H ±0.1	ØM +0.1 0	D1 Max.	D2 + 0.3 - 0.7	F (*) ±0.75	H1 ± 0.2	L1 Max.	L2 + 0.8 - 0	L3 Max.
8	20.6	15.10	3.04	15.44	3.2	4	19.10	49.5	10.94	2.0
10	23.8	18.25	3.04	18.64	4.8	4	20.70	49.5	10.94	2.0
12	26.2	20.60	3.04	27.79	7.9	6,4	23.90	49.5	10.94	2.0
14	28.6	23.00	3.04	25.00	9.5	7,5	27.00	49.5	10.94	2.0
16	31.0	24.60	3.04	28.19	12.7	8,3	28.60	53.0	10.94	2.0
18	33.3	27.00	3.04	31.34	15.9	11,3	35.00	53.0	10.94	2.0
20	36.5	29.40	3.04	34.54	15.9	12,7	35.00	60.5	14.12	2.8
22	39.7	31.75	3.04	37.69	19.1	16,3	39.75	60.5	14.12	2.8
24	42.8	34.92	3.73	40.89	20.3	16,3	42.10	63.0	14.96	2.8

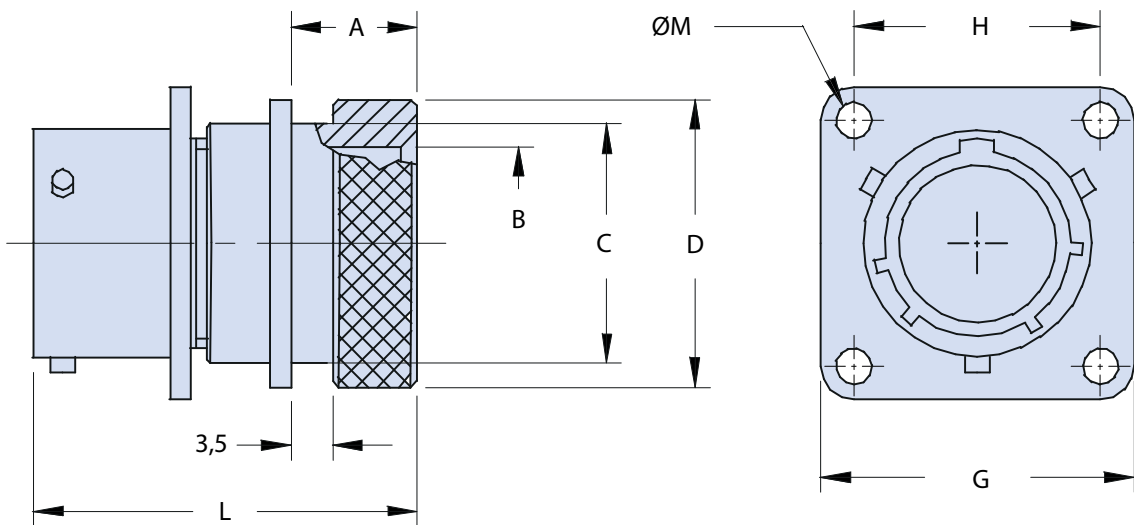
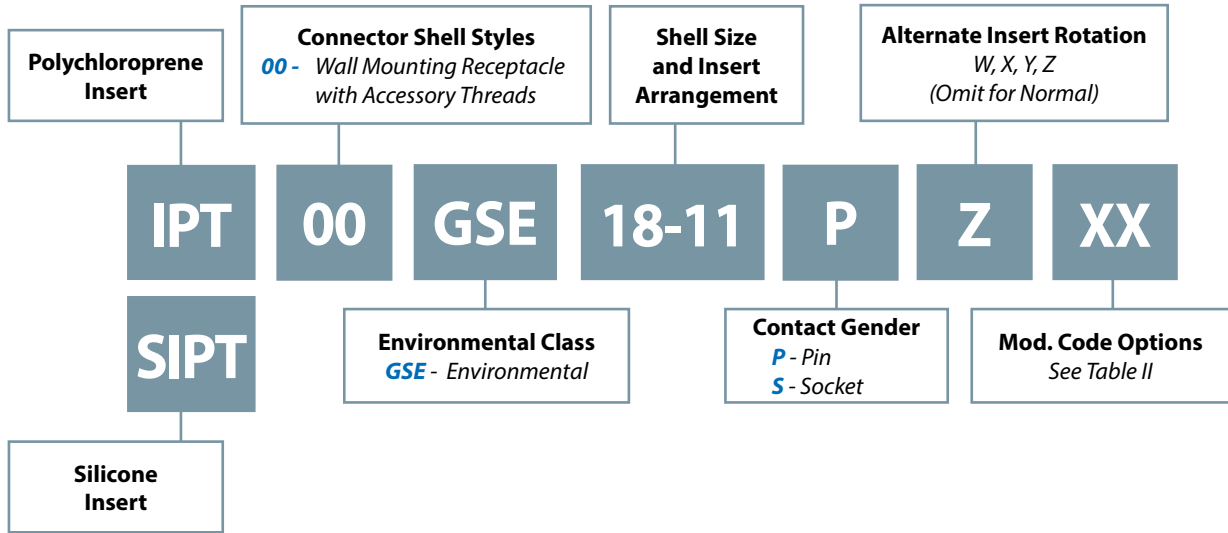
(*) Cable clamp cleats fully closed.

TABLE II: MODIFICATION CODES

CONTACT OPTIONS	
Sym	Description
B0	Connector Without Contacts (Only for crimp version)
FINISH OPTIONS	
Sym	Description and RoHS compliant
F6	Black Electrodeposited Paint
F7	Black Zinc Nickel
F11	Electroless Nickel
MB	Marine Bronze
Omit for standard version (Cadmium Olive Drab Finish)	



IPT 00 GSE Front Panel Mount Square Flange Receptacle with Shrink Boot Backshell



Application Notes

- 1 Wall mounting receptacle with accessory threads, sealing grommet and backshell for heat shrink boot; through mounting holes.
- 2 Connector/Backshell Class "GSE" (environmental).
- 3 Standard materials configuration consists of aluminum alloy with stainless steel coupling pins.
- 4 Standard contact material consists of copper alloy with gold plating over nickel.
- 5 A broad range of other front and rear connector accessories are available. See our website and/or contact factory for complete information.
- 6 Standard insert is high insulation synthetic rubber.

IPT 00 GSE
Front Panel Mount Square Flange Receptacle
with Shrink Boot Backshell



TABLE I: DIMENSIONS

Shell size	A ±0.1	B +0.1 -0	C +0 -0.1	D +0 -0.3	G ±0.4	H ±0.1	ØM +0.1 0	L Max.
8	12.2	8.20	13.0	15.5	20.6	15.10	3.04	43.5
10	12.2	11.40	15.8	18.3	23.8	18.25	3.04	42.0
12	12.2	14.55	21.0	23.6	26.2	20.60	3.04	42.0
14	12.2	17.50	21.8	24.4	28.6	23.00	3.04	42.0
16	14.5	20.60	25.9	29.7	31.0	24.60	3.04	44.0
18	14.5	23.15	28.2	31.9	33.3	27.00	3.04	44.5
20	15.8	26.50	32.2	36.0	36.5	29.40	3.04	48.5
22	15.8	29.60	34.5	38.4	39.7	31.75	3.04	48.5
24	14.9	32.80	37.6	41.5	42.8	34.92	3.73	48.5

B

TABLE II: MODIFICATION CODES

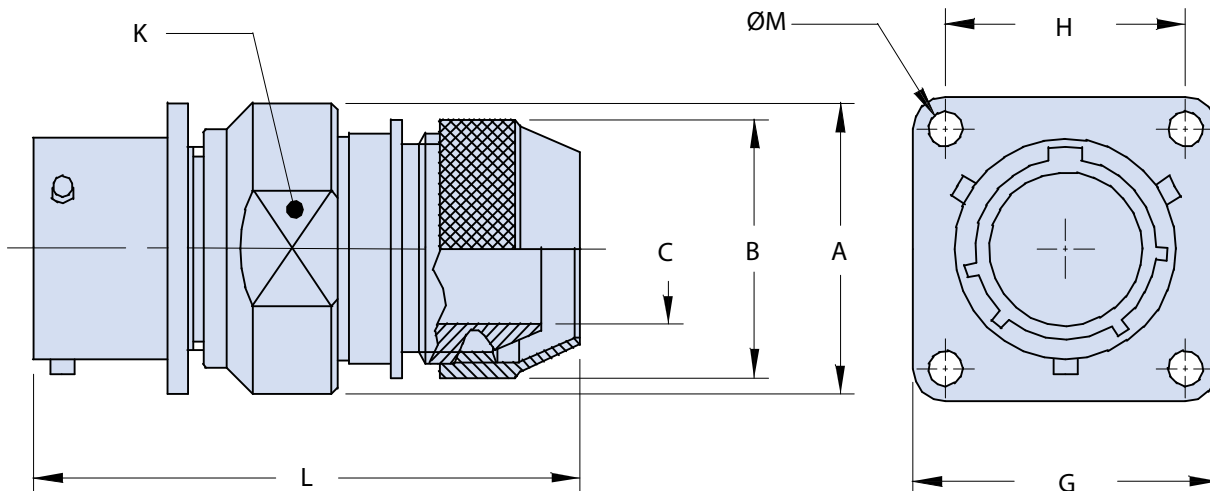
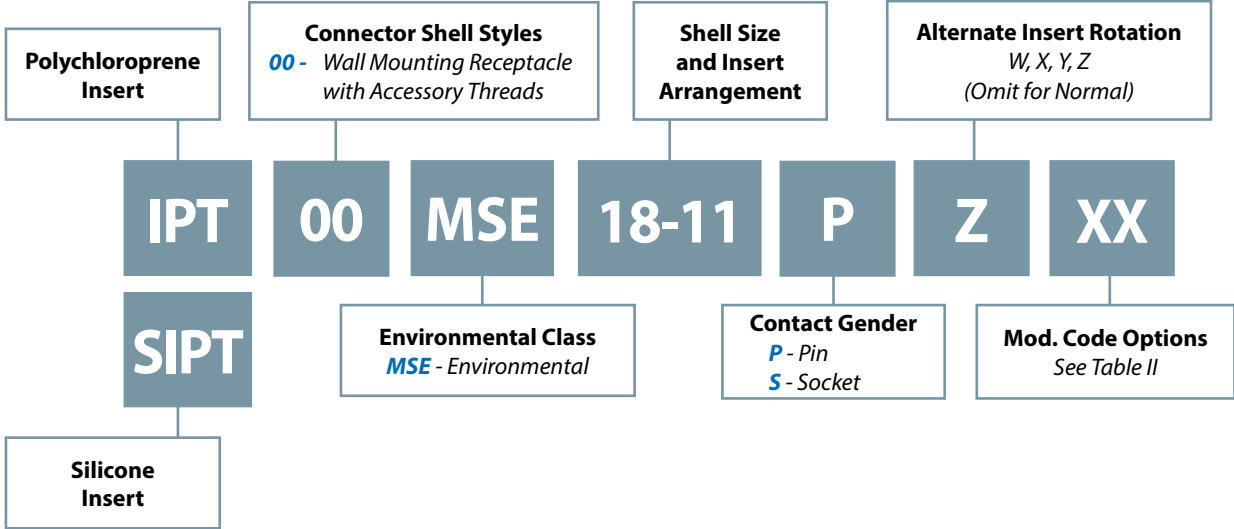
CONTACT OPTIONS	
Sym	Description
B0	Connector Without Contacts (Only for crimp version)
FINISH OPTIONS	
Sym	Description and RoHS compliant
F6	Black Electrodeposited Paint
F7	Black Zinc Nickel
F11	Electroless Nickel
MB	Marine Bronze
Omit for standard version (Cadmium Olive Drab Finish)	



IPT 00 MSE

Front Panel Mount Square Flange Receptacle with Backshell

for EMI Shield Termination and Shrink Boot



Application Notes

1. Wall mounting receptacle with accessory threads, backshell for terminating shielded cable, suitable for heat shrink boots; through mounting holes.
2. Connector/Backshell Class "MSE" (environmental).
3. Standard materials configuration consists of aluminum alloy with stainless steel coupling pins.
4. Standard contact material consists of copper alloy with gold plating over nickel.
5. A broad range of other front and rear connector accessories are available. See our website and/or contact factory for complete information.
6. Standard insert is high insulation synthetic rubber.

IPT 00 MSE
Front Panel Mount Square Flange Receptacle
with Backshell
for EMI Shield Termination and Shrink Boot



TABLE I: DIMENSIONS

Shell size	A Max.	B +0.5 -0	C min.	G ±0.4	H ±0.1	ØM +0.1 0	L Max.	K Key
8	20	16	6.6	20.6	15.10	3.04	55	18
10	23	18	9.2	23.8	18.25	3.04	55	21
12	27	22	12.2	26.2	20.60	3.04	55	24
14	30	25	15.2	28.6	23.00	3.04	56	28
16	33	28	18.3	31.0	24.60	3.04	56	31
18	36	32	20.0	33.3	27.00	3.04	56	34
20	40	34	23.0	36.5	29.40	3.04	62	37
22	43	38	26.0	39.7	31.75	3.04	62	41
24	46	41	28.8	42.8	34.92	3.73	64	44

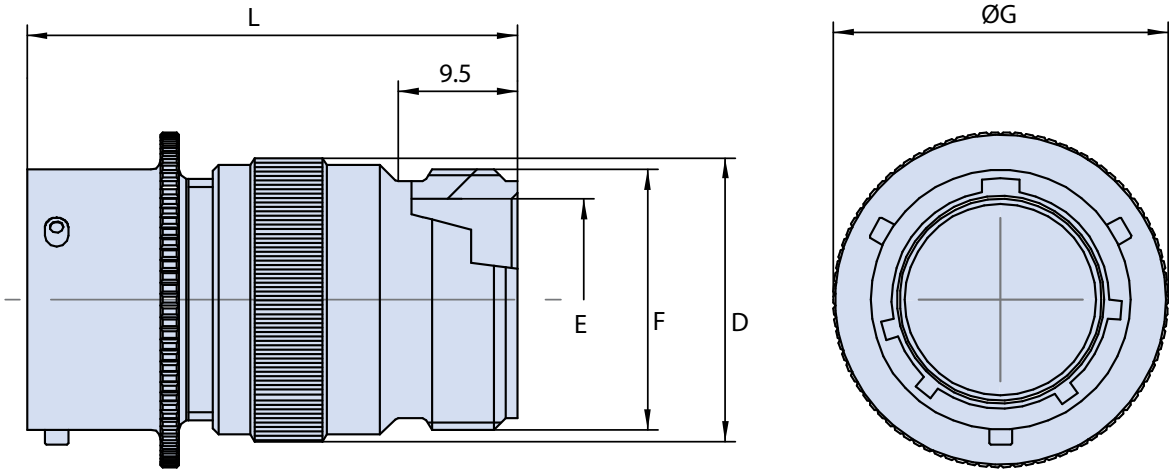
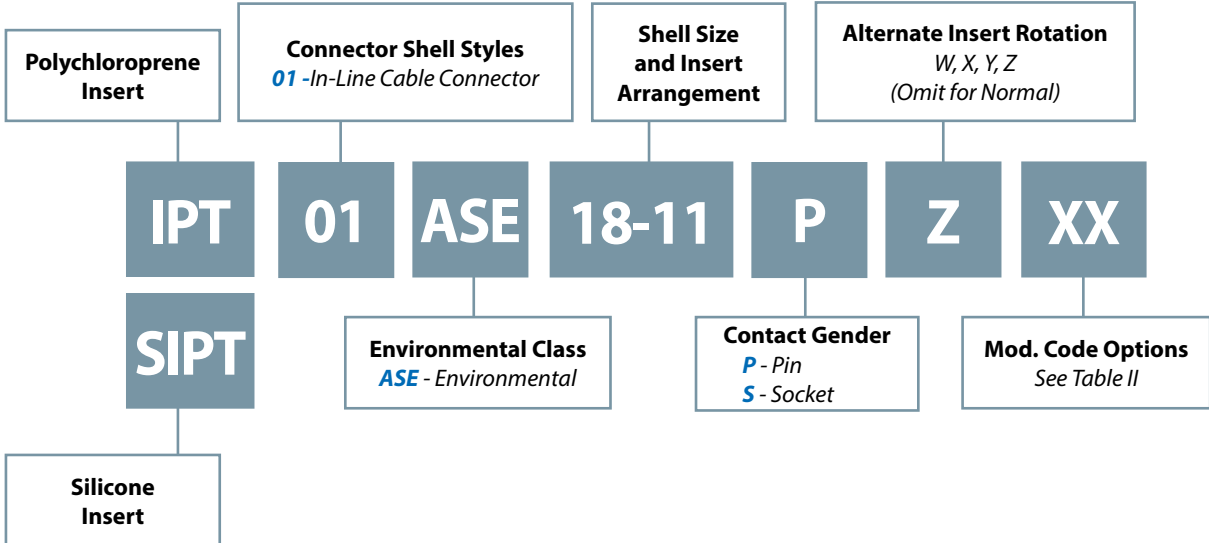
B

TABLE II: MODIFICATION CODES

CONTACT OPTIONS	
Sym	Description
B0	Connector Without Contacts (Only for crimp version)
FINISH OPTIONS	
Sym	Description and RoHS compliant
F7	Black Zinc Nickel
F11	Electroless Nickel
MB	Marine Bronze
Omit for standard version (Cadmium Olive Drab Finish)	



IPT 01 ASE In-Line Cable Connector with Backshell



Application Notes

1. In-Line cable connector, with backshell for the attachment of additional accessories.
2. Connector Class "ASE" (environmental).
3. Standard materials configuration consists of aluminum alloy with stainless steel coupling pins.
4. Standard contact material consists of copper alloy with gold plating over nickel.
5. A broad range of other front and rear connector accessories are available. See our website and/or contact factory for complete information.
6. Standard insert is high insulation synthetic rubber.

IPT 01 ASE
In-Line Cable Connector
with Backshell

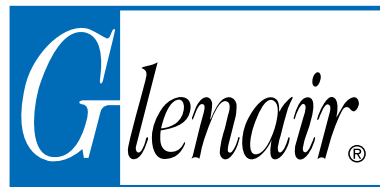


TABLE I: DIMENSIONS

Shell size	D Max.	E min.	F Thread in inches	ØG ±0.2	L Max.
8	15.00	7.55	.5000 - 28 UNEF	17.3	45.9
10	18.20	10.70	.6250 - 24 UNEF	21.8	45.9
12	21.20	13.85	.7500 - 20 UNEF	25.1	45.9
14	24.60	16.85	.8750 - 20 UNEF	28.6	45.9
16	27.60	20.00	1.0000 - 20 UNEF	30.6	45.9
18	30.90	22.30	1.1875 - 18 UNEF	33.2	45.9
20	33.80	25.75	1.1875 - 18 UNEF	36.5	50.0
22	37.10	28.80	1.4375 - 18 UNEF	39.6	50.0
24	40.25	32.00	1.4375 - 18 UNEF	43.1	50.0

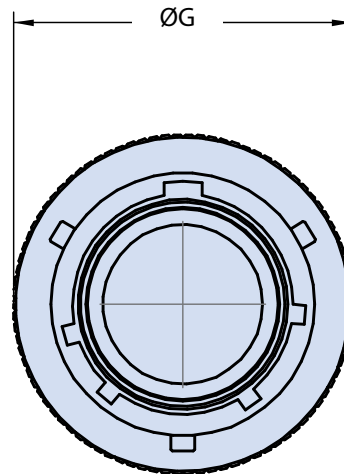
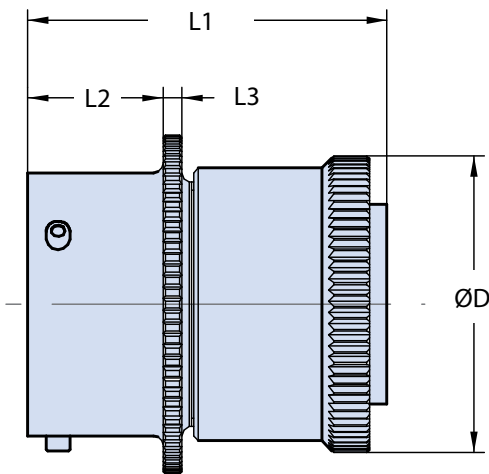
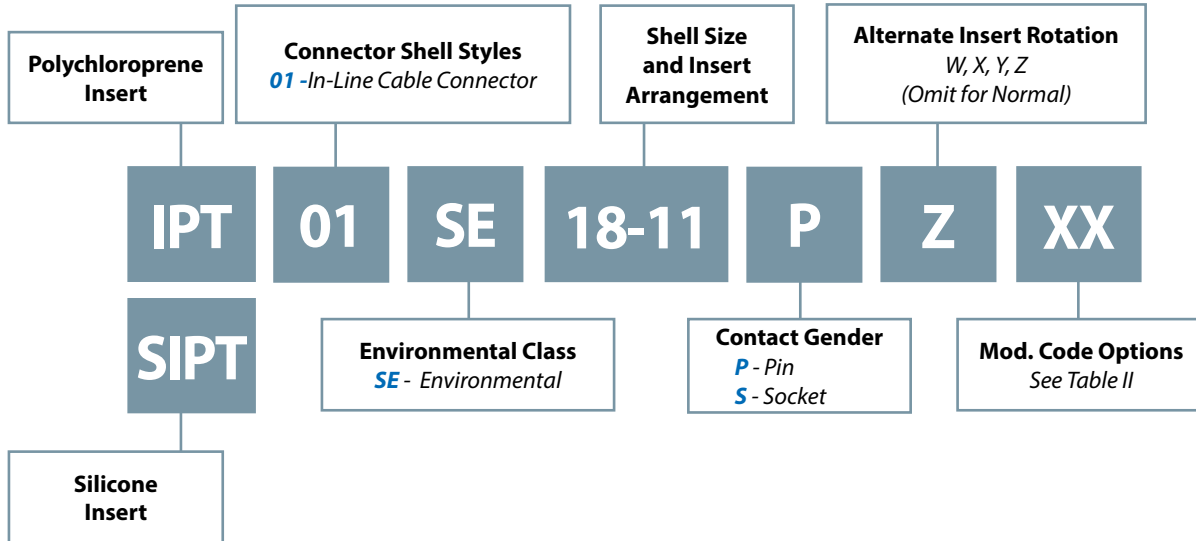
B

TABLE II: MODIFICATION CODES

CONTACT OPTIONS	
Sym	Description
B0	Connector Without Contacts (Only for crimp version)
FINISH OPTIONS	
Sym	Description and RoHS compliant
F6	Black Electrodeposited Paint
F7	Black Zinc Nickel
F11	Electroless Nickel
MB	Marine Bronze
Omit for standard version (Cadmium Olive Drab Finish)	



IPT 01 SE In-Line Cable Connector with General Duty Backshell



Application Notes

1. In-Line cable connector includes sealing grommet and backshell for use with individual wires.
2. Connector Class "SE". Wire sealing grommet supplied.
3. Standard materials configuration consists of aluminum alloy with stainless steel coupling pins.
4. Standard contact material consists of copper alloy with gold plating over nickel.
5. A broad range of other front and rear connector accessories are available. See our website and/or contact factory for complete information.
6. Standard insert is high insulation synthetic rubber.

IPT 01 SE
In-Line Cable Connector
with General Duty Backshell



TABLE I: DIMENSIONS

Shell size	ØD Max.	ØG ±0.2	L1 Max.	L2 + 0.8 - 0	L3 Max.
8	15.44	17.3	33.5	10.94	2.0
10	18.64	21.8	33.5	10.94	2.0
12	21.79	25.1	33.5	10.94	2.0
14	25.00	28.6	33.5	10.94	2.0
16	28.19	30.6	33.5	10.94	2.0
18	31.34	33.2	33.5	10.94	2.0
20	34.54	36.5	34.7	14.12	2.8
22	37.69	39.6	36.0	14.12	2.8
24	40.89	43.1	36.0	14.96	2.8

B

TABLE II: MODIFICATION CODES

CONTACT OPTIONS	
Sym	Description
B0	Connector Without Contacts (Only for crimp version)
FINISH OPTIONS	
Sym	Description and RoHS compliant
F6	Black Electrodeposited Paint
F7	Black Zinc Nickel
F11	Electroless Nickel
MB	Marine Bronze
Omit for standard version (Cadmium Olive Drab Finish)	

TABLE I: DIMENSIONS

Shell size	ØG ±0.2	F Thread in inches	L1 Max.	L2 + 0.8 - 0	L3 Max.
8	17.3	.4375 - 28 UNEF	33.5	10.94	2.0
10	21.8	.5625 - 24 UNEF	33.5	10.94	2.0
12	25.1	.6875 - 24 UNEF	33.5	10.94	2.0
14	28.6	.8125 - 20 UNEF	33.5	10.94	2.0
16	30.6	.9375 - 20 UNEF	33.5	10.94	2.0
18	33.2	1.0625 - 18 UNEF	33.5	10.94	2.0
20	36.5	1.1875 - 18 UNEF	34.7	14.12	2.8
22	39.6	1.3125 - 18 UNEF	36.0	14.12	2.8
24	43.1	1.4375 - 18 UNEF	36.0	14.96	2.8

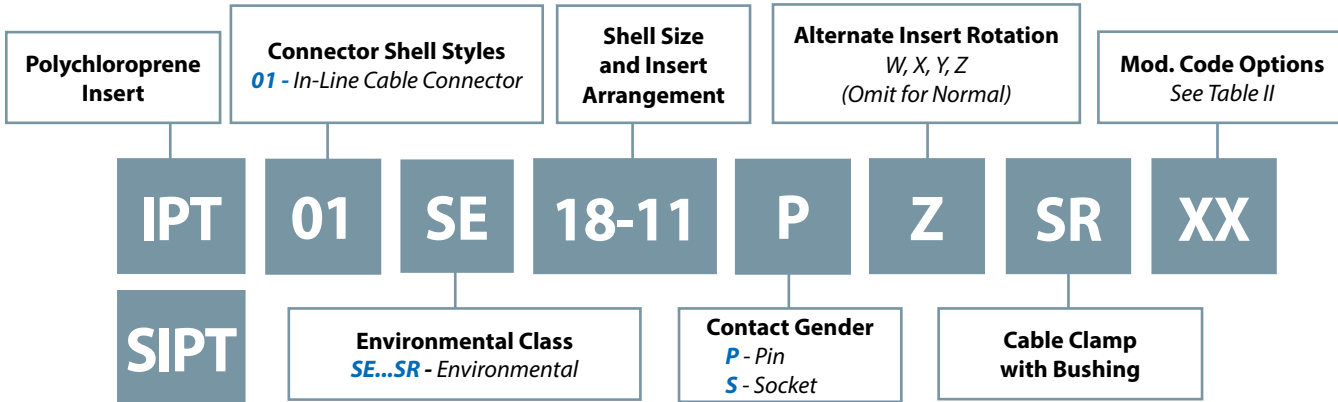
B

TABLE II: MODIFICATION CODES

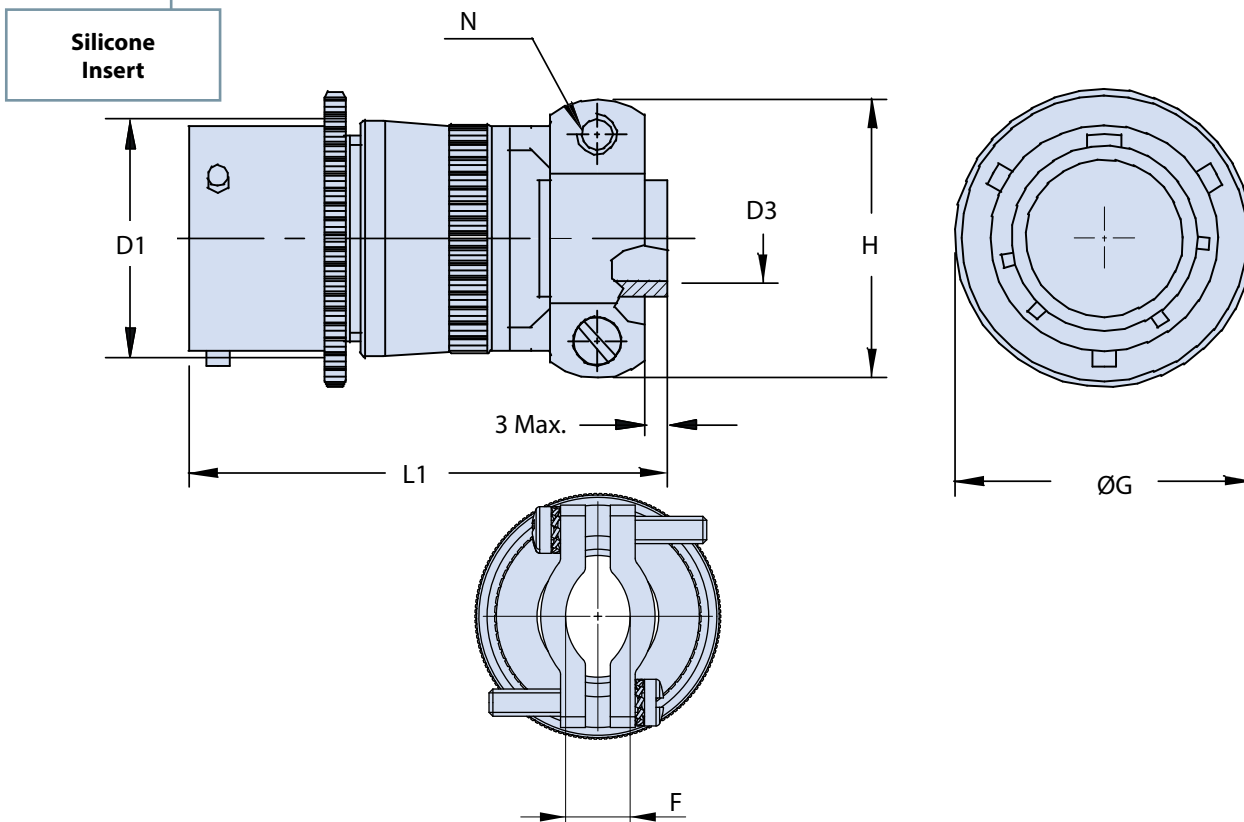
CONTACT OPTIONS	
Sym	Description
B0	Connector Without Contacts (Only for crimp version)
FINISH OPTIONS	
Sym	Description and RoHS compliant
F6	Black Electrodeposited Paint
F7	Black Zinc Nickel
F11	Electroless Nickel
MB	Marine Bronze
Omit for standard version (Cadmium Olive Drab Finish)	



IPT 01 SE...SR In-Line Cable Connector with Backshell, Cable Clamp and Bushing



B



Application Notes

1. In-Line cable connector with sealing grommet, cable clamp and bushing for cable protection.
2. Connector Class "SE...SR" (environmental).
3. Standard materials configuration consists of aluminum alloy with stainless steel coupling pins.
4. Standard contact material consists of copper alloy with gold plating over nickel.
5. A broad range of other front and rear connector accessories are available. See our website and/or contact factory for complete information.
6. Standard insert is high insulation synthetic rubber.

IPT 01 SE...SR
In-Line Cable Connector
with Backshell, Cable Clamp and Bushing



TABLE I: DIMENSIONS

Shell size	N Thread	D1 Max.	D3 + 0.3 -0.7	L1 Max.	ØG ±0.2	H ± 0.2	F (*) ±0.75
8	6-32 UNC	15.44	3.2	49.5	17.3	19.10	4
10	6-32 UNC	18.64	4.8	49.5	21.8	20.70	4
12	6-32 UNC	21.79	7.9	49.5	25.1	23.90	6,4
14	6-32 UNC	25.00	9.5	49.5	28.6	27.00	7,5
16	6-32 UNC	28.19	12.7	53.0	30.6	28.60	8,3
18	8-32 UNC	31.34	15.9	53.0	33.2	35.00	11,3
20	8-32 UNC	34.54	15.9	60.5	36.5	35.00	12,7
22	8-32 UNC	37.69	19.1	60.5	39.6	39.75	16,3
24	8-32 UNC	40.89	20.3	63.0	43.1	42.10	16,3

(*) Cable clamp cleats fully closed.

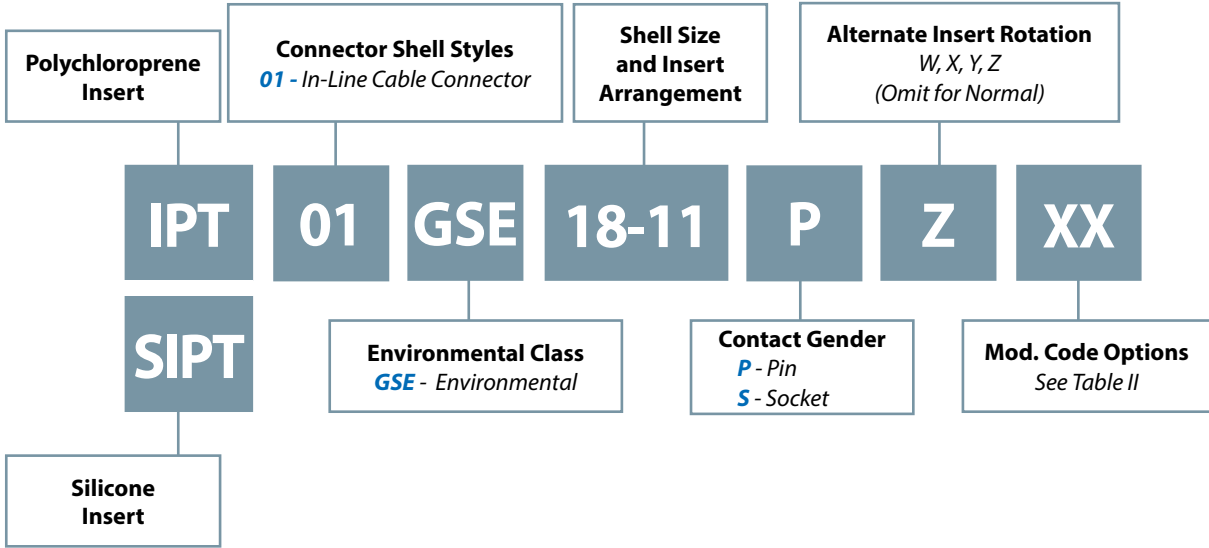


TABLE II: MODIFICATION CODES

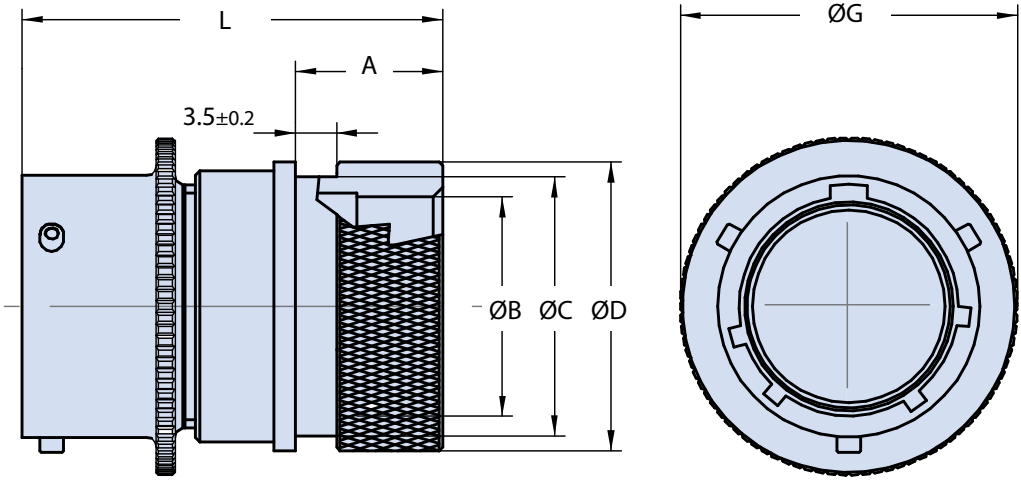
CONTACT OPTIONS	
Sym	Description
B0	Connector Without Contacts (Only for crimp version)
FINISH OPTIONS	
Sym	Description and RoHS compliant
F6	Black Electrodeposited Paint
F7	Black Zinc Nickel
F11	Electroless Nickel
MB	Marine Bronze
Omit for standard version (Cadmium Olive Drab Finish)	



IPT 01 GSE In-Line Cable Connector with Shrink Boot Backshell



B



Application Notes

1. In-Line cable connector with sealing grommet and backshell for heat shrink boot.
2. Connector/Backshell Class "GSE" (environmental).
3. Standard materials configuration consists of aluminum alloy with stainless steel coupling pins.
4. Standard contact material consists of copper alloy with gold plating over nickel.
5. A broad range of other front and rear connector accessories are available. See our website and/or contact factory for complete information.
6. Standard insert is high insulation synthetic rubber.

IPT 01 GSE
In-Line Cable Connector
with Shrink Boot Backshell



TABLE I: DIMENSIONS

Shell size	A ±0.1	ØB +0.1 -0	ØC +0 -0.1	ØD +0 -0.3	L Max.	ØG ±0.2
8	12.2	8.20	13.0	15.5	43.5	17.3
10	12.2	11.40	15.8	18.3	42.0	21.8
12	12.2	14.55	21.0	23.6	42.0	25.1
14	12.2	17.50	21.8	24.4	42.0	28.6
16	14.5	20.60	25.9	29.7	44.0	30.6
18	14.5	23.15	28.2	31.9	44.5	33.2
20	15.8	26.50	32.2	36.0	48.5	36.5
22	15.8	29.60	34.5	38.4	48.5	39.6
24	14.9	32.80	37.6	41.5	48.5	43.1

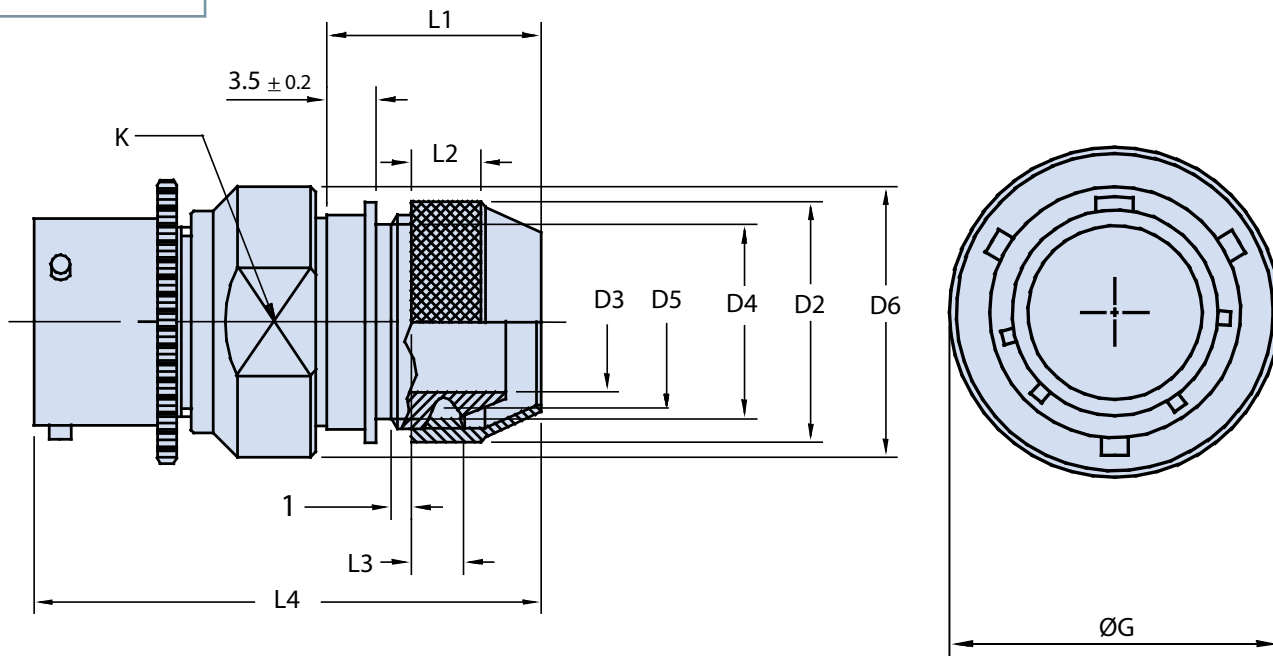
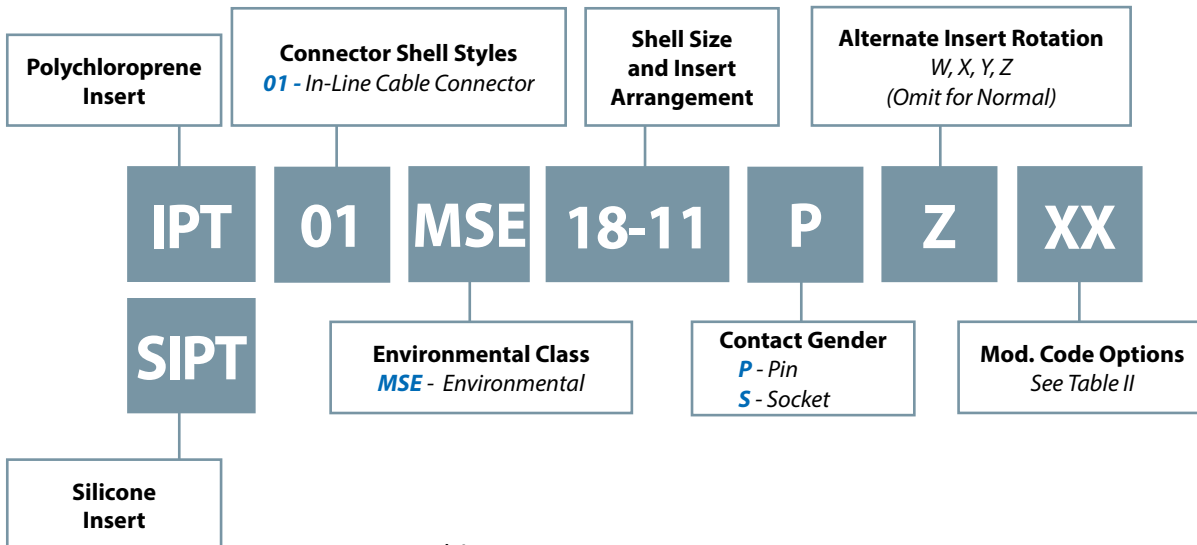
B

TABLE II: MODIFICATION CODES

CONTACT OPTIONS	
Sym	Description
B0	Connector Without Contacts (Only for crimp version)
FINISH OPTIONS	
Sym	Description and RoHS compliant
F6	Black Electrodeposited Paint
F7	Black Zinc Nickel
F11	Electroless Nickel
MB	Marine Bronze
Omit for standard version (Cadmium Olive Drab Finish)	



IPT 01 MSE
In-Line Cable Connector
with Backshell for
EMI Shield Termination and Shrink Boot



Application Notes

1. In-Line cable connector with sealing grommet and backshell for heat shrink boot.
2. Connector/Backshell Class "MSE" (environmental).
3. Standard materials configuration consists of aluminum alloy with stainless steel coupling pins.
4. Standard contact material consists of copper alloy with gold plating over nickel.
5. A broad range of other front and rear connector accessories are available. See our website and/or contact factory for complete information.
6. Standard insert is high insulation synthetic rubber.

IPT 01 MSE
In-Line Cable Connector
with Backshell for
EMI Shield Termination and Shrink Boot



TABLE I: DIMENSIONS

Shell size	K Key	ØG ±0.2	D2 +0.5 -0	D3 min.	D4	D5	D6 Max.	L1 +0 -2.5	L2 +1.5 -0	L3 min.	L4 Max.
8	18	17.3	16	6.6	13.5	M14x1	20	17	5	4	55
10	21	21.8	18	9.2	16.0	M16x1	23	17	5	4	55
12	24	25.1	22	12.2	20.0	M20x1	27	17	7	5	55
14	28	28.6	25	15.2	22.0	M23x1	30	18	8	6	56
16	31	30.6	28	18.3	26.0	M26x1	33	18	8	6	56
18	34	33.2	32	20.0	28.2	M30x1	36	18	10	6	56
20	37	36.5	34	23.0	30.5	M32x1	40	18	10	6	62
22	41	39.6	38	26.0	34.5	M36x1	43	18	10	6	62
24	44	43.1	41	28.8	37.2	M39x1	46	18	10	6	64

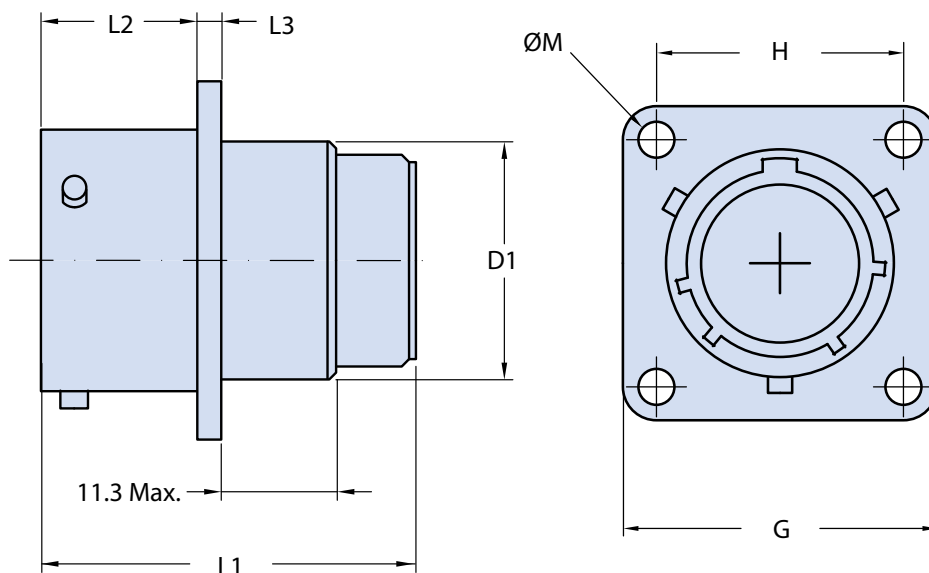
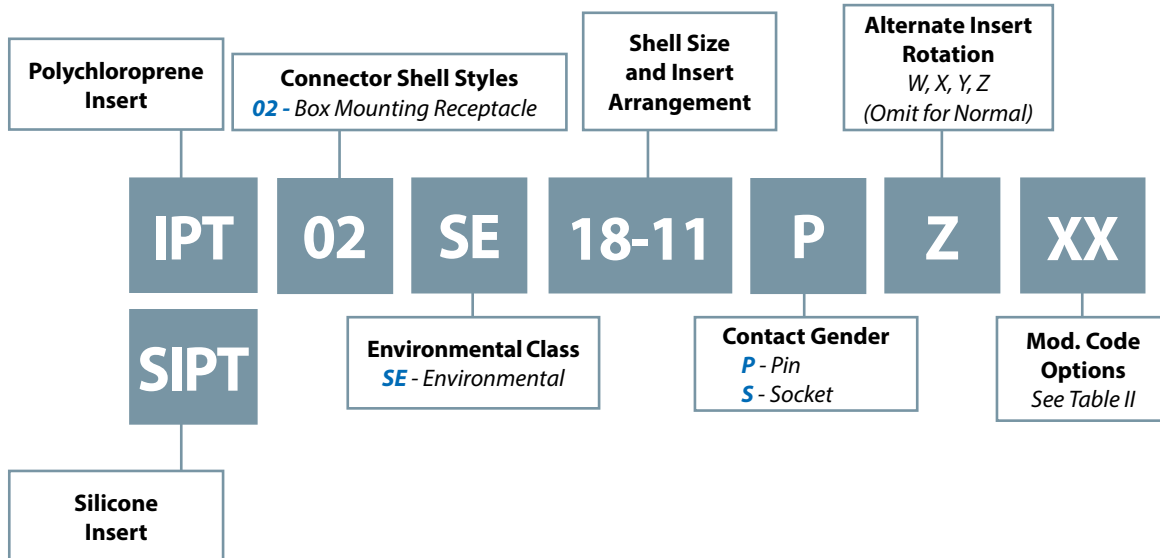
B

TABLE II: MODIFICATION CODES

CONTACT OPTIONS	
Sym	Description
B0	Connector Without Contacts (Only for crimp version)
FINISH OPTIONS	
Sym	Description and RoHS compliant
F7	Black Zinc Nickel
F11	Electroless Nickel
MB	Marine Bronze
Omit for standard version (Cadmium Olive Drab Finish)	



IPT 02 SE Box Mounting Square Flange Receptacle



Application Notes

1. Box mounting receptacle with through mounting holes; no rear accessory threads.
2. Connector Class "SE" (environmental).
3. Standard materials configuration consists of aluminum alloy with stainless steel coupling pins.
4. Standard contact material consists of copper alloy with gold plating over nickel.
5. Standard insert is high insulation synthetic rubber.

IPT 02 SE
Box Mounting Square Flange Receptacle

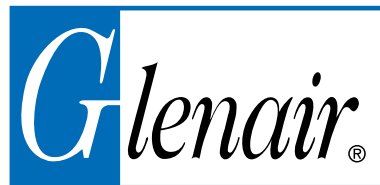


TABLE I: DIMENSIONS

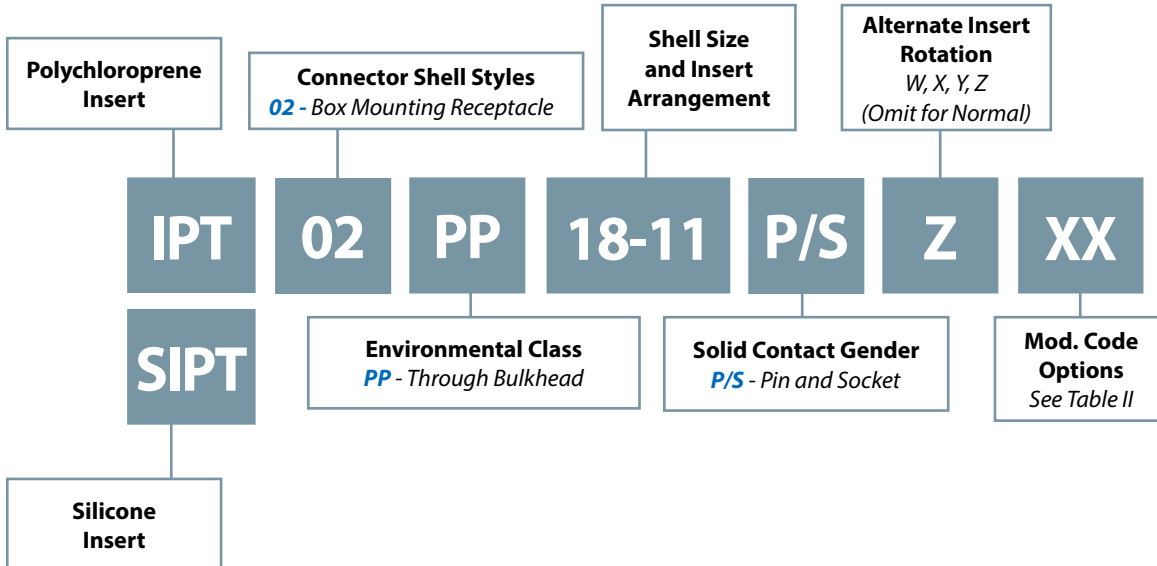
Shell size	G ±0.4	H ±0.1	ØM +0.1 0	D1 + 0.8 - 0.6	L1 Max.	L2 + 0.8 - 0	L3 Max.
8	20.6	15.10	3.04	11.2	33.5	10.94	2.0
10	23.8	18.25	3.04	14.3	33.5	10.94	2.0
12	26.2	20.60	3.04	17.5	33.5	10.94	2.0
14	28.6	23.00	3.04	20.7	33.5	10.94	2.0
16	31.0	24.60	3.04	23.9	33.5	10.94	2.0
18	33.3	27.00	3.04	27.0	33.5	10.94	2.0
20	36.5	29.40	3.04	30.2	34.7	14.12	2.8
22	39.7	31.75	3.04	33.4	36.0	14.12	2.8
24	42.8	34.92	3.73	36.6	36.0	14.96	2.8

B

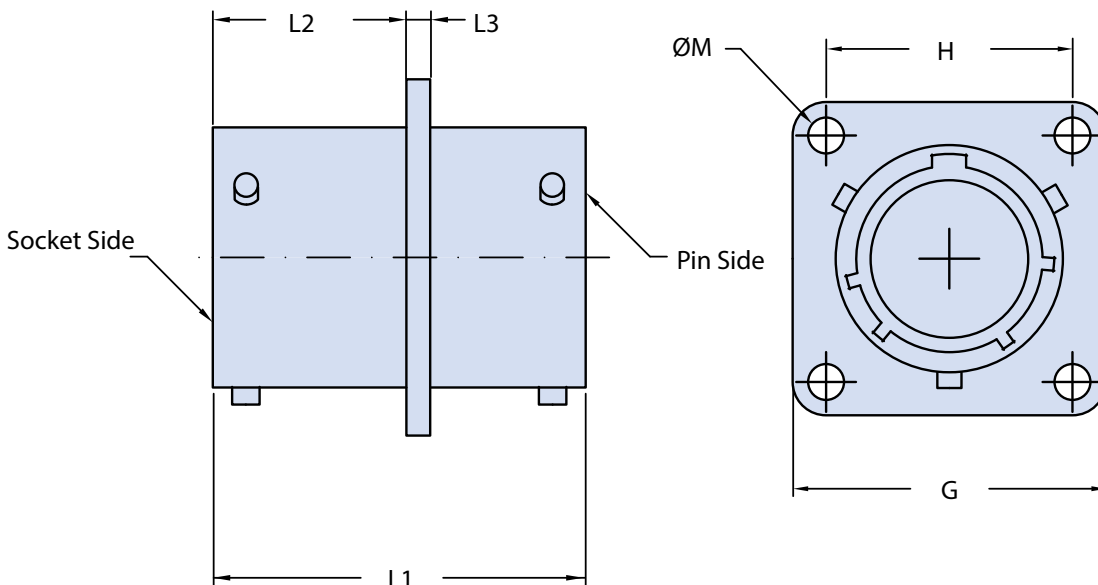
TABLE II: MODIFICATION CODES

CONTACT OPTIONS	
Sym	Description
B0	Connector Without Contacts (Only for crimp version)
FINISH OPTIONS	
Sym	Description and RoHS compliant
F6	Black Electrodeposited Paint
F7	Black Zinc Nickel
F11	Electroless Nickel
MB	Marine Bronze
Omit for standard version (Cadmium Olive Drab Finish)	

IPT 02 PP Through Bulkhead Receptacle



B



Application Notes

- 1 Through bulkhead receptacle with solid feedthrough contacts.
- 2 Through mounting holes.
- 3 Standard materials configuration consists of aluminum alloy with stainless steel coupling pins.
- 4 Standard contact material consists of copper alloy with gold plating over nickel.
- 5 Standard insert is high insulation synthetic rubber.

TABLE I: DIMENSIONS

Shell size	G ±0.4	H ±0.1	ØM +0.1 0	L1 +0.5 0	L2 +0.2 0	L3 ±0.2
8	20.6	15.10	3.04	26.5	14.5	1.6
10	23.8	18.25	3.04	26.5	14.5	1.6
12	26.2	20.60	3.04	26.5	14.5	1.6
14	28.6	23.00	3.04	26.5	14.5	1.6
16	31.0	24.60	3.04	26.5	14.5	1.6
18	33.3	27.00	3.04	26.5	14.5	1.6
20	36.5	29.40	3.04	33.5	17.8	2.5
22	39.7	31.75	3.04	33.5	17.8	2.5
24	42.8	34.92	3.73	33.5	17.8	2.5

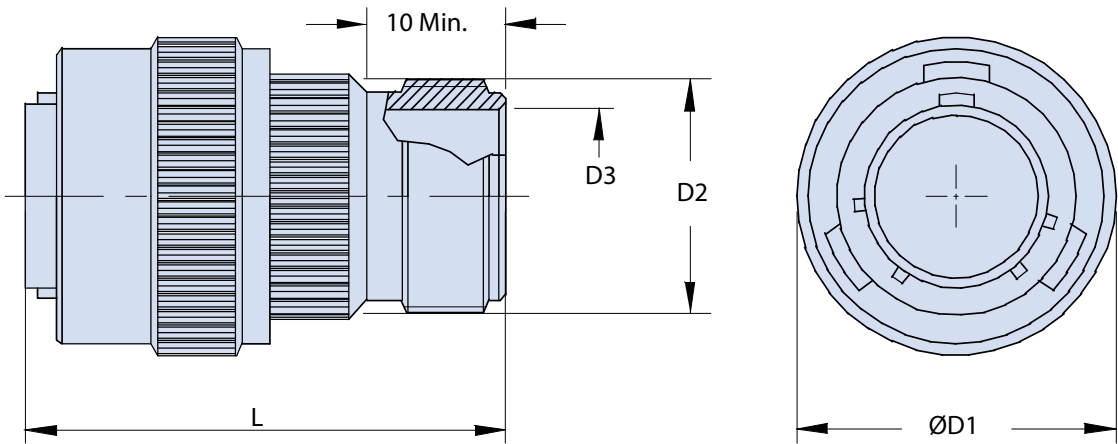
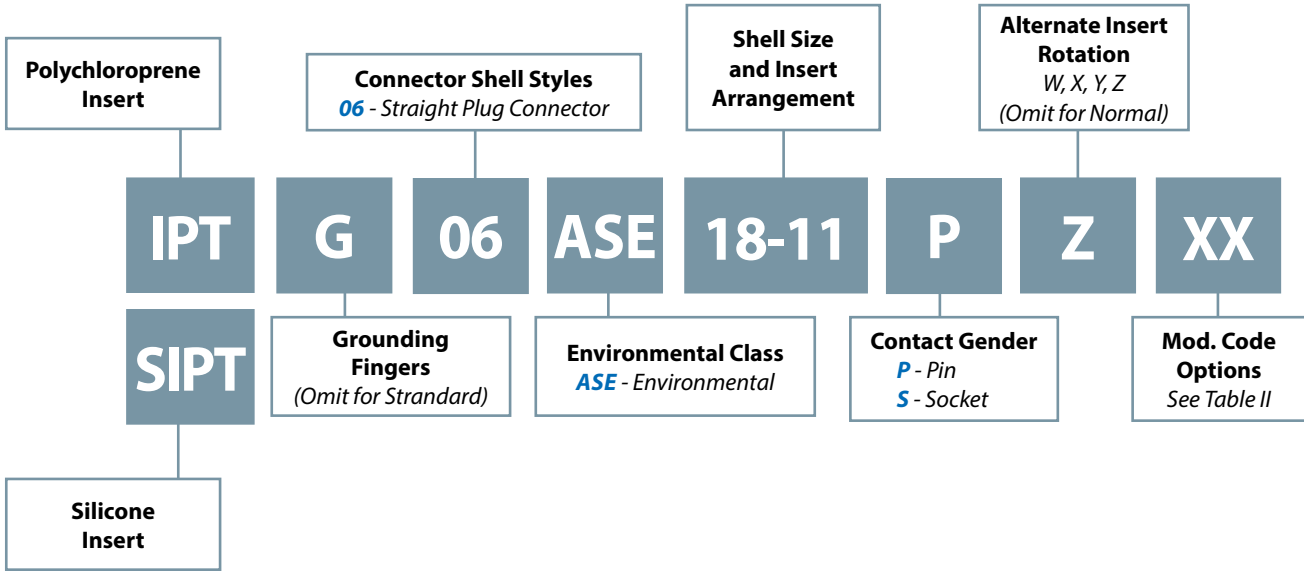
B

TABLE II: MODIFICATION CODES

FINISH OPTIONS	
Sym	Description and RoHS compliant
F6	Black Electrodeposited Paint
F7	Black Zinc Nickel
F11	Electroless Nickel
MB	Marine Bronze
Omit for standard version (Cadmium Olive Drab Finish)	



IPT 06 ASE
Straight Plug Connector
 with Backshell to Accommodate
 MS3057 Cable Clamp (Not Included)



Application Notes

- 1 Straight plug connector with accessory threads.
- 2 Connector Class "ASE" (environmental).
- 3 Standard materials configuration consists of aluminum alloy.
- 4 Standard contact material consists of copper alloy with gold plating over nickel.
- 5 Standard insert is high insulation synthetic rubber.

IPT 06 ASE
Straight Plug Connector
 with Backshell to Accommodate
 MS3057 Cable Clamp (Not Included)



TABLE I: DIMENSIONS

Shell size	ØD1 ±0.2	D2	D3 Min.	L Max.
8	18.10	0.5000 - 28UNEF	6.6	45.9
10	21.05	0.6250 - 24UNEF	9.2	45.9
12	25.15	0.7500 - 20UNEF	12.2	45.9
14	28.40	0.8750 - 20UNEF	15.2	45.9
16	31.60	1.0000 - 20UNEF	18.3	45.9
18	35.00	1.1875 - 18UNEF	20.0	45.9
20	37.70	1.1875 - 18UNEF	23.0	50.0
22	40.20	1.4375 - 18UNEF	26.0	50.0
24	44.00	1.4375 - 18UNEF	28.8	50.0

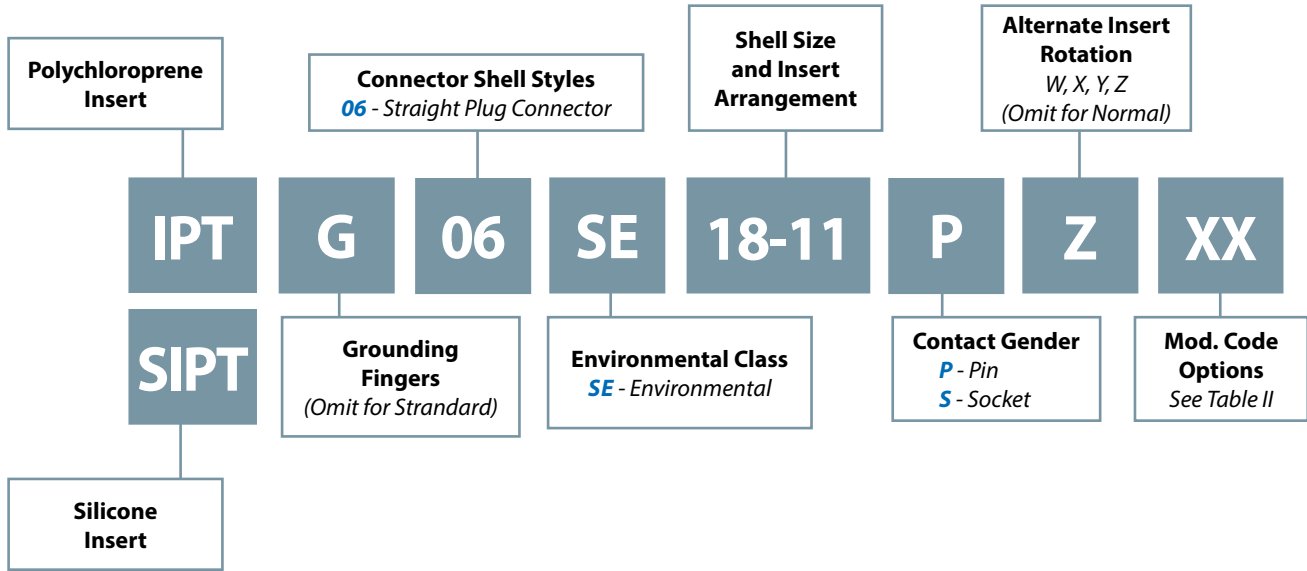
B

TABLE II: MODIFICATION CODES

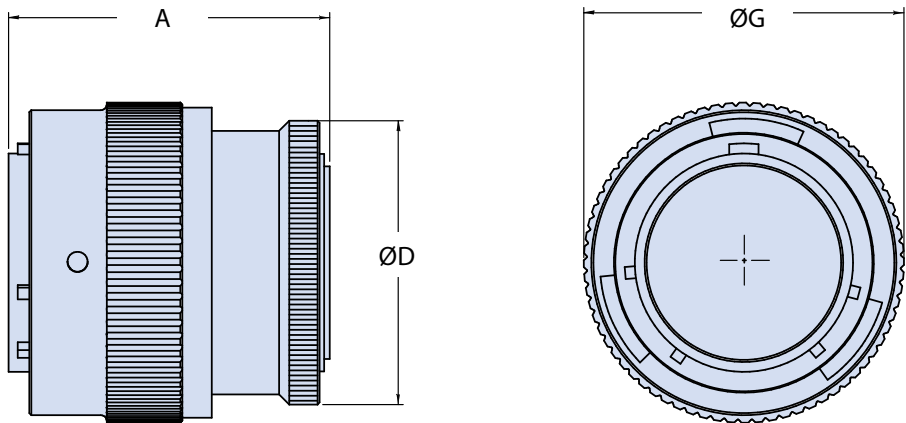
CONTACT OPTIONS	
Sym	Description
B0	Connector Without Contacts (Only for crimp version)
FINISH OPTIONS	
Sym	Description and RoHS compliant
F6	Black Electrodeposited Paint
F7	Black Zinc Nickel
F11	Electroless Nickel
MB	Marine Bronze
Omit for standard version (Cadmium Olive Drab Finish)	



IPT 06 SE Straight Plug Connector with General Duty Backshell



B



Application Notes

1. Straight plug connector includes sealing grommet and backshell for use with individual wires.
2. Connector Class "SE"(environmental).
3. Standard materials configuration consists of aluminum alloy.
4. Standard contact material consists of copper alloy with gold plating over nickel.
5. A broad range of other front and rear connector accessories are available. See our website and/or contact factory for complete information.
6. Standard insert is high insulation synthetic rubber.

IPT 06 SE
Straight Plug Connector
with General Duty Backshell



TABLE I: DIMENSIONS

Shell size	A ±0.5	ØD Max.	ØG ±0.2
8	31.7	15.44	18.10
10	31.7	18.64	21.05
12	31.7	21.79	25.15
14	32.7	25.00	28.40
16	31.7	28.19	31.60
18	31.7	31.34	35.00
20	31.7	34.54	37.70
22	31.7	37.69	40.20
24	33.7	40.89	44.00

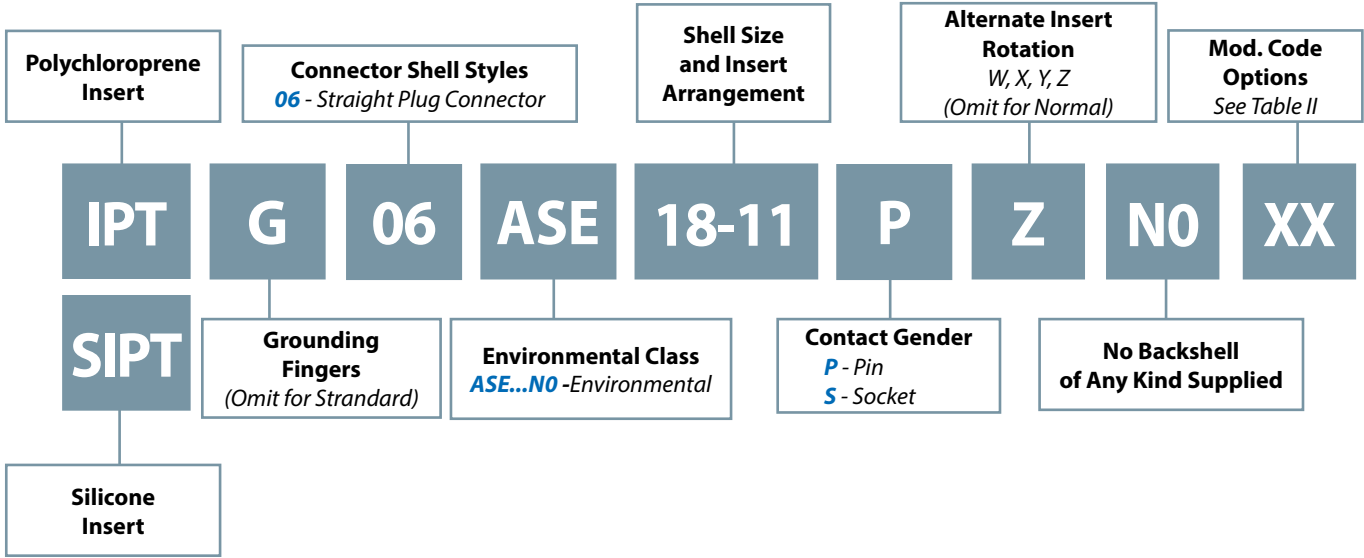
B

TABLE II: MODIFICATION CODES

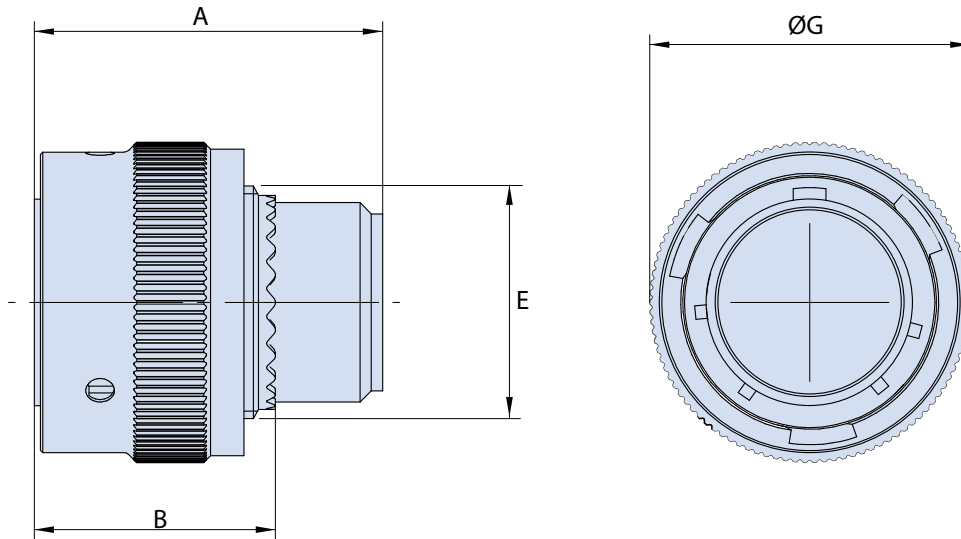
CONTACT OPTIONS	
Sym	Description
B0	Connector Without Contacts (Only for crimp version)
FINISH OPTIONS	
Sym	Description and RoHS compliant
F6	Black Electrodeposited Paint
F7	Black Zinc Nickel
F11	Electroless Nickel
MB	Marine Bronze
Omit for standard version (Cadmium Olive Drab Finish)	



IPT 06 ASE...NO Straight Plug Connector without Backshell



B



Application Notes

1. Straight plug connector without backshell.
2. Connector Class "ASE...NO"(environmental)
3. Standard materials configuration consists of aluminum alloy.
4. Standard contact material consists of copper alloy with gold plating over nickel.
5. A broad range of other front and rear connector accessories are available. See our website and/or contact factory for complete information.
6. Standard insert is high insulation synthetic rubber.

IPT 06 ASE...N0
Straight Plug Connector
without Backshell



TABLE I: DIMENSIONS

Shell size	A ±0.5	ØG ±0.2	B ±0.2	E
8	31.7	18.10	21.4	.4375 - 28 UNEF
10	31.7	21.05	21.4	.5625 - 24 UNEF
12	31.7	25.15	21.4	.6875 - 24 UNEF
14	32.7	28.40	21.4	.8125 - 20 UNEF
16	31.7	31.60	21.4	.9375 - 20 UNEF
18	31.7	35.00	21.4	1.0625 - 18 UNEF
20	31.7	37.70	25.4	1.1875 - 18 UNEF
22	31.7	40.20	25.4	1.3125 - 18 UNEF
24	33.7	44.00	27.0	1.4375 - 18 UNEF

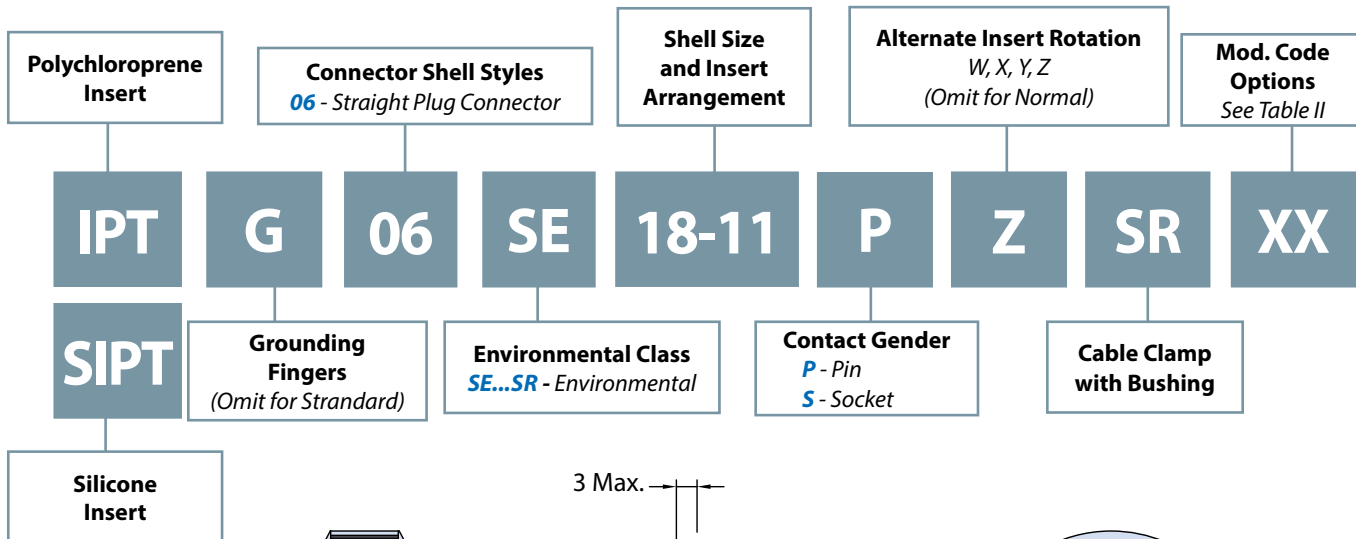


TABLE II: MODIFICATION CODES

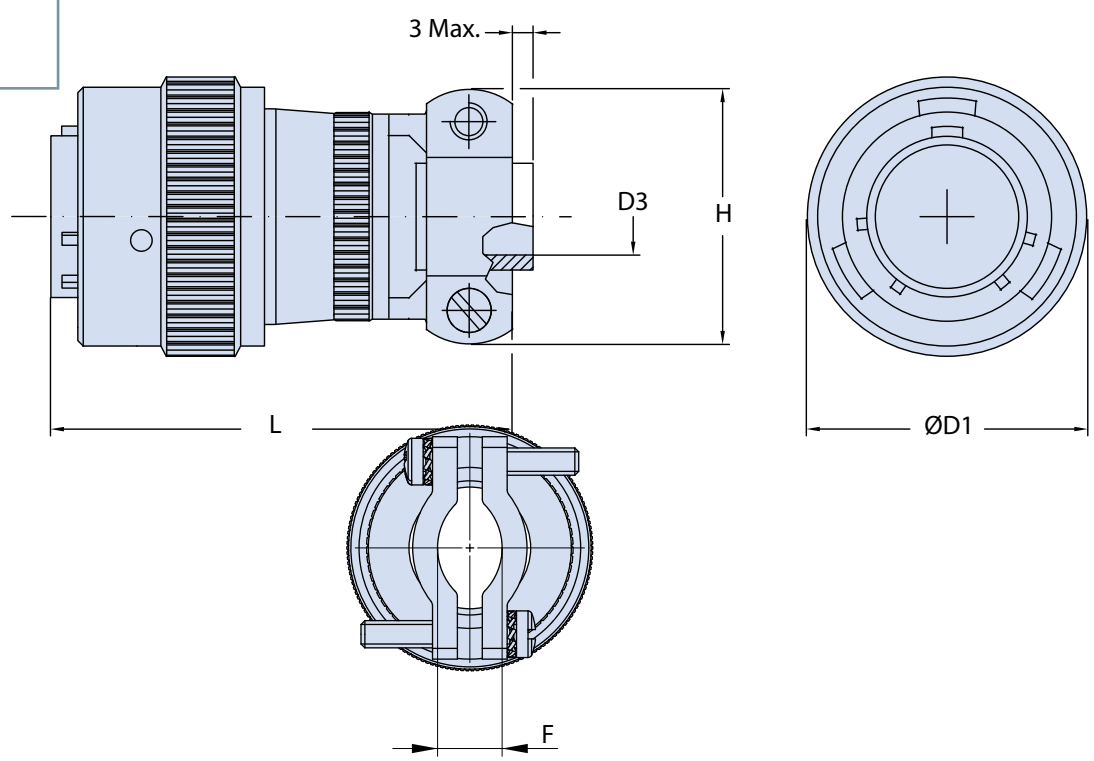
CONTACT OPTIONS	
Sym	Description
B0	Connector Without Contacts (Only for crimp version)
FINISH OPTIONS	
Sym	Description and RoHS compliant
F6	Black Electrodeposited Paint
F7	Black Zinc Nickel
F11	Electroless Nickel
MB	Marine Bronze
Omit for standard version (Cadmium Olive Drab Finish)	



IPT 06 SE...SR Straight Plug Connector with Backshell, Cable Clamp and Bushing



B



- ### Application Notes
1. Straight plug with cable clamp and bushing for cable protection.
 2. Connector Class "SE...SR"(environmental).
 3. Standard materials configuration consists of aluminum alloy.
 4. Standard contact material consists of copper alloy with gold plating over nickel.
 5. A broad range of other front and rear connector accessories are available. See our website and/or contact factory for complete information.
 6. Standard insert is high insulation synthetic rubber.

IPT 06 SE...SR
Straight Plug Connector
with Backshell, Cable Clamp and Bushing

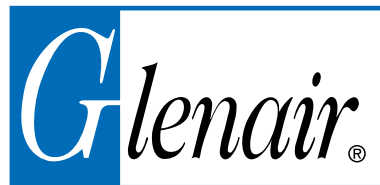


TABLE I: DIMENSIONS

Shell size	ØD1 ±0.2	D3 + 0.3 - 0.7	H ± 0.2	L Max.	F (*) ±0.75
8	18.10	3.2	19.10	49.5	4
10	21.05	4.8	20.70	49.5	4
12	25.15	7.9	23.90	49.5	6,4
14	28.40	9.5	27.00	49.5	7,5
16	31.60	12.7	28.60	53.0	8,3
18	35.00	15.9	35.00	53.0	11,3
20	37.70	15.9	35.00	59.0	12,7
22	40.20	19.1	39.75	59.0	16,3
24	44.00	20.3	42.10	61.0	16,3

(*) Cable clamp cleats fully closed.

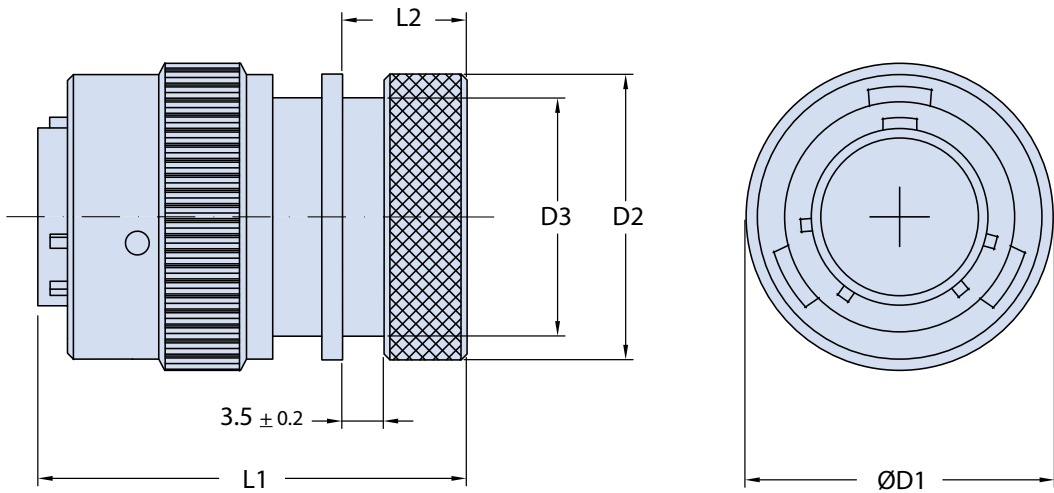
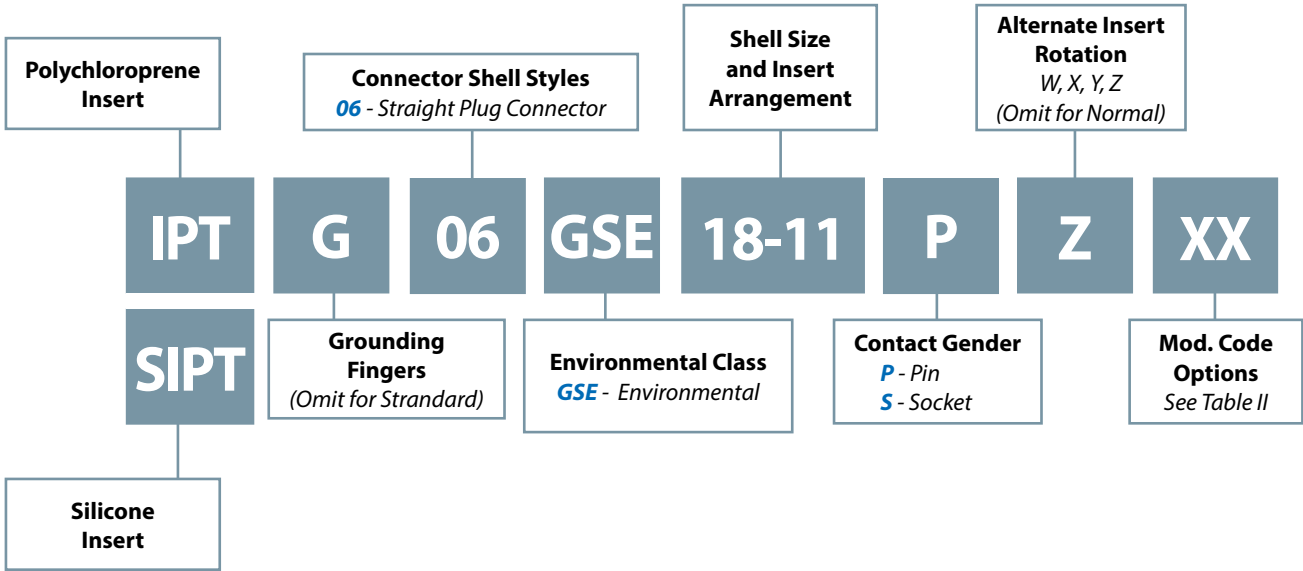


TABLE II: MODIFICATION CODES

CONTACT OPTIONS	
Sym	Description
B0	Connector Without Contacts (Only for crimp version)
FINISH OPTIONS	
Sym	Description and RoHS compliant
F6	Black Electrodeposited Paint
F7	Black Zinc Nickel
F11	Electroless Nickel
MB	Marine Bronze
Omit for standard version (Cadmium Olive Drab Finish)	



IPT 06 GSE Straight Plug Connector with Shrink Boot Backshell



Application Notes

1. Straight plug connector with shrink boot backshell.
2. Connector Class "GSE" (environmental).
3. Standard materials configuration consists of aluminum alloy.
4. Standard contact material consists of copper alloy with gold plating over nickel.
5. A broad range of other front and rear connector accessories are available. See our website and/or contact factory for complete information.
6. Standard insert is high insulation synthetic rubber.

IPT 06 GSE
Straight Plug Connector
with Shrink Boot Backshell



TABLE I: DIMENSIONS

Shell size	ØD1 ±0.2	D2 + 0 - 0.5	D3 + 0 - 0.5	L1 Max.	L2 ± 0.5
8	18.10	15.6	13.3	43.5	12.2
10	21.05	18.4	16.1	42.0	12.2
12	25.15	23.7	21.4	42.0	12.2
14	28.40	24.5	22.2	42.0	12.2
16	31.60	29.8	26.2	44.0	14.5
18	35.00	32.0	28.5	44.5	14.5
20	37.70	36.1	32.5	47.0	15.8
22	40.20	38.5	34.8	47.0	15.8
24	44.00	41.6	37.9	47.0	14.9



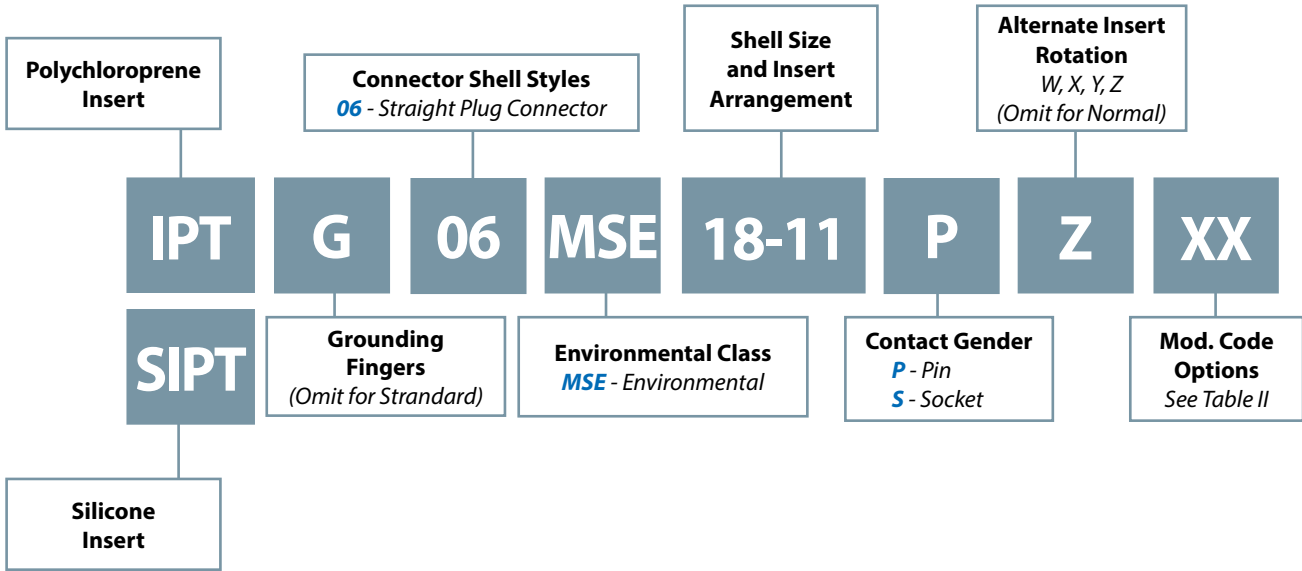
TABLE II: MODIFICATION CODES

CONTACT OPTIONS	
Sym	Description
B0	Connector Without Contacts (Only for crimp version)
FINISH OPTIONS	
Sym	Description and RoHS compliant
F6	Black Electrodeposited Paint
F7	Black Zinc Nickel
F11	Electroless Nickel
MB	Marine Bronze
Omit for standard version (Cadmium Olive Drab Finish)	

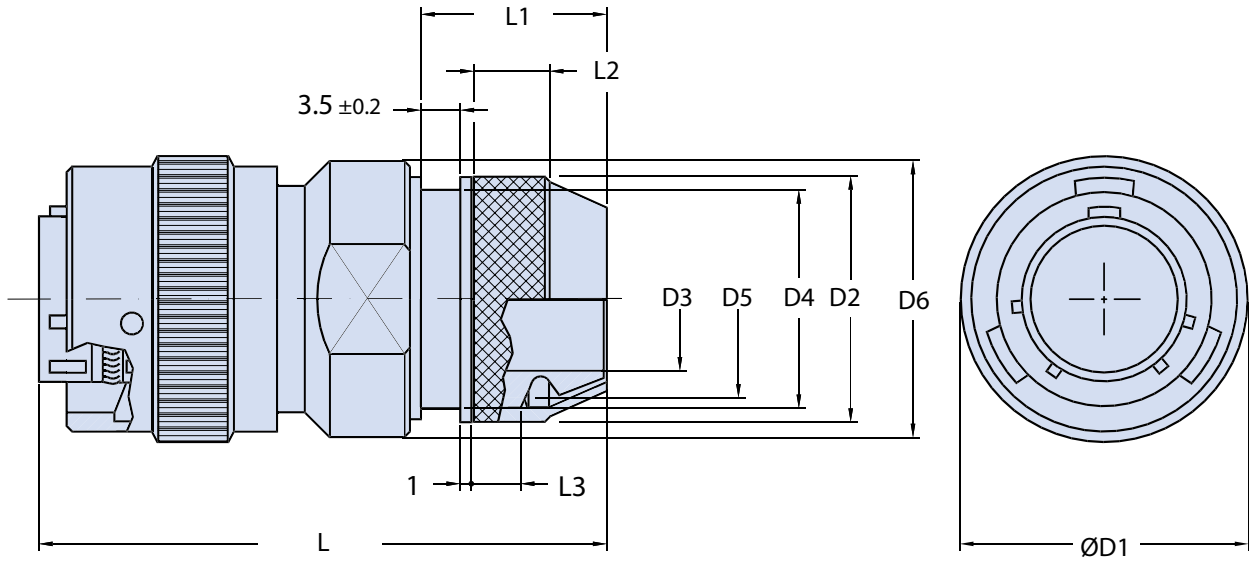


IPT 06 MSE

Straight Plug Connector with Backshell Suitable for EMI Shield Termination and Heat Shrink Boot



B



Application Notes

1. Straight plug connector with shrink boot backshell.
2. Connector Class "MSE" (environmental).
3. Standard materials configuration consists of aluminum alloy.
4. Standard contact material consists of copper alloy with gold plating over nickel.
5. A broad range of other front and rear connector accessories are available. See our website and/or contact factory for complete information.
6. Standard insert is high insulation synthetic rubber.

IPT 06 MSE
Straight Plug Connector
 with Backshell Suitable for
 EMI Shield Termination and Heat Shrink Boot



TABLE I: DIMENSIONS

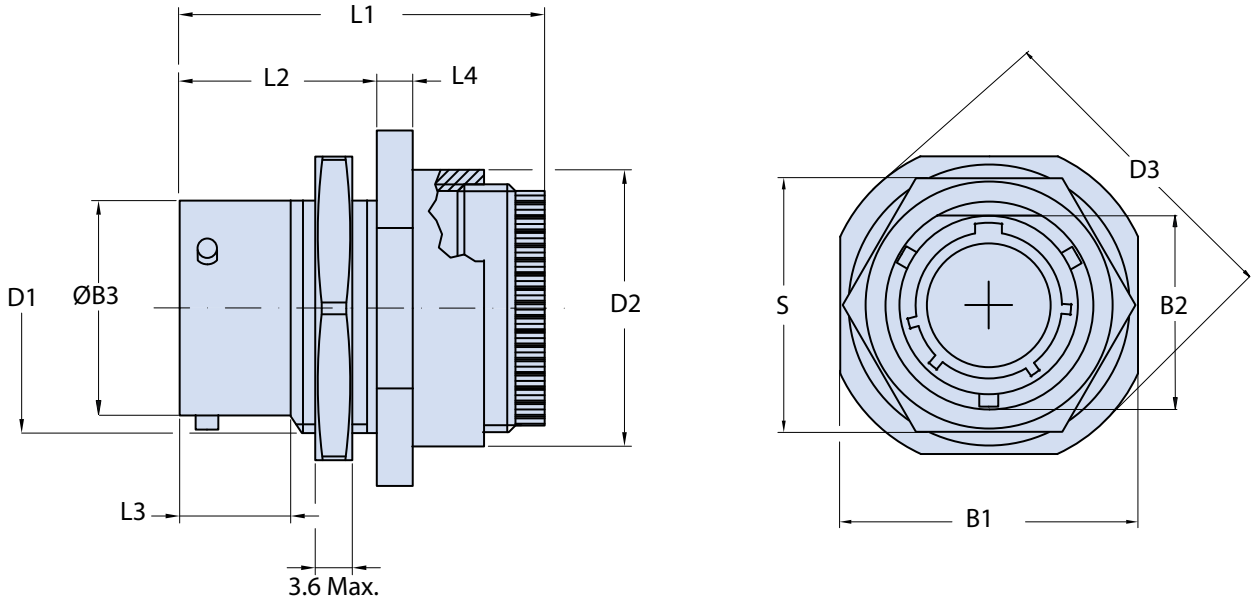
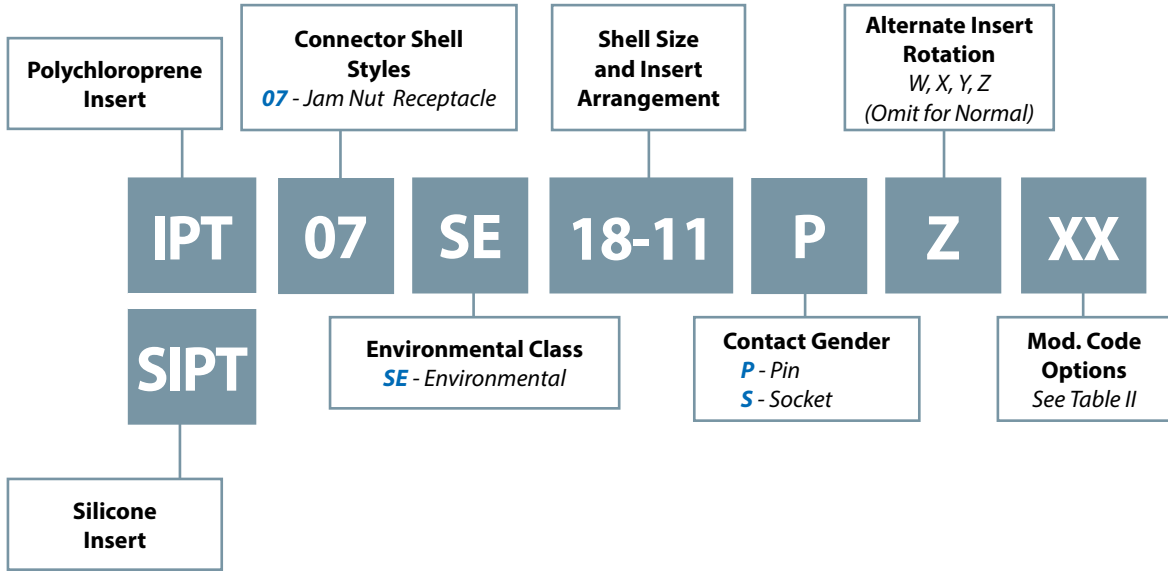
Shell size	ØD1 ±0.2	D2 + 0.5 - 0	D3 Min.	D4	D5	D6 Max.	L	L1 + 0 - 2.5	L2 +1.5 - 0	L3 Min.
8	18.10	16	6.6	13.5	M14 x 1	20	55	17	5	4
10	21.05	18	9.2	16.0	M16 x 1	23	55	17	5	4
12	25.15	22	12.2	20.0	M20 x 1	27	55	17	7	5
14	28.40	25	15.2	22.0	M23 x 1	30	56	18	8	6
16	31.60	28	18.3	26.0	M26 x 1	33	56	18	8	6
18	35.00	32	20.0	28.2	M30 x 1	36	56	18	10	6
20	37.70	34	23.0	30.5	M32 x 1	40	60	18	10	6
22	40.20	38	26.0	34.5	M36 x 1	43	60	18	10	6
24	44.00	41	28.8	37.2	M39 x 1	46	62	18	10	6

B

TABLE II: MODIFICATION CODES

CONTACT OPTIONS	
Sym	Description
B0	Connector Without Contacts (Only for crimp version)
FINISH OPTIONS	
Sym	Description and RoHS compliant
F7	Black Zinc Nickel
F11	Electroless Nickel
MB	Marine Bronze
Omit for standard version (Cadmium Olive Drab Finish)	

IPT 07 SE Jam Nut Receptacle with General Duty Backshell



Application Notes

- 1 Jam nut receptacle includes sealing grommet and backshell for use with individual wires.
- 2 Connector Class "SE" (environmental). Wire sealing grommet supplied.
- 3 Standard materials configuration consists of aluminum alloy with stainless steel coupling pins.
- 4 Standard contact material consists of copper alloy with gold plating over nickel.
5. A broad range of other front and rear connector accessories are available. See our website and/or contact factory for complete information.
6. Standard insert is high insulation synthetic rubber.

IPT 07 SE
Jam Nut Receptacle
with General Duty Backshell



TABLE I: DIMENSIONS

Shell size	B1 Max.	B2 +0 -0.25	ØB3 +0 -0.1	D1	D2 Min.	D3 +0 -0.8	L1 Max.	L2 +0.8 -0	L3 Min.	L4 ±0.5	S ±0.43
8	24.3	13.46	12.00	0.5625 - 24 UNEF	19.0	27.3	39.3	17.5	9.75	3.0	19.05
10	27.4	16.64	14.98	0.6875 - 24 UNEF	22.2	30.5	39.3	17.5	9.75	3.0	22.23
12	32.2	20.78	19.05	0.8750 - 20 UNEF	25.4	35.3	39.3	17.5	9.75	3.0	26.97
14	35.4	23.93	22.22	1.0000 - 20 UNEF	28.5	38.5	39.3	17.5	9.75	3.0	30.18
16	38.6	27.08	25.40	1.1250 - 18 UNEF	31.7	41.6	39.3	17.5	9.75	3.0	33.32
18	41.7	30.25	28.57	1.2500 - 18 UNEF	34.9	44.8	39.3	17.5	9.75	3.0	36.53
20	46.5	33.43	31.75	1.3750 - 18 UNEF	38.8	49.6	43.4	22.3	11.32	3.8	39.67
22	49.7	36.60	34.85	1.5000 - 18 UNEF	42.0	52.7	43.4	22.3	11.32	3.8	42.88
24	52.8	39.78	38.10	1.6250 - 18 UNEF	45.2	55.9	43.4	23.1	12.16	3.8	46.02

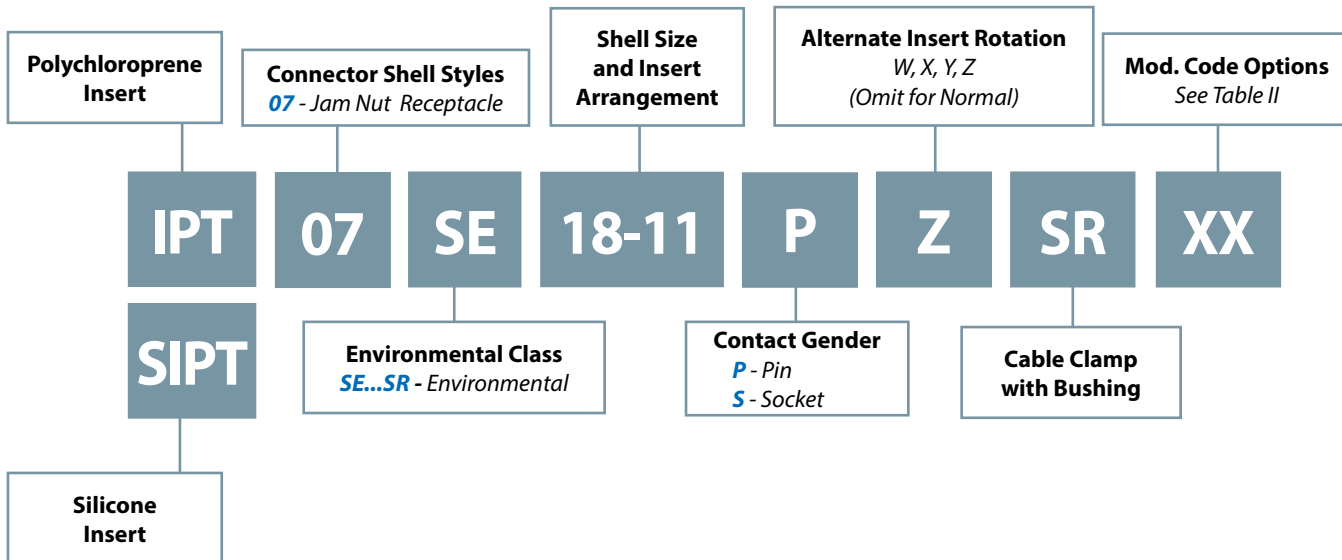
B

TABLE II: MODIFICATION CODES

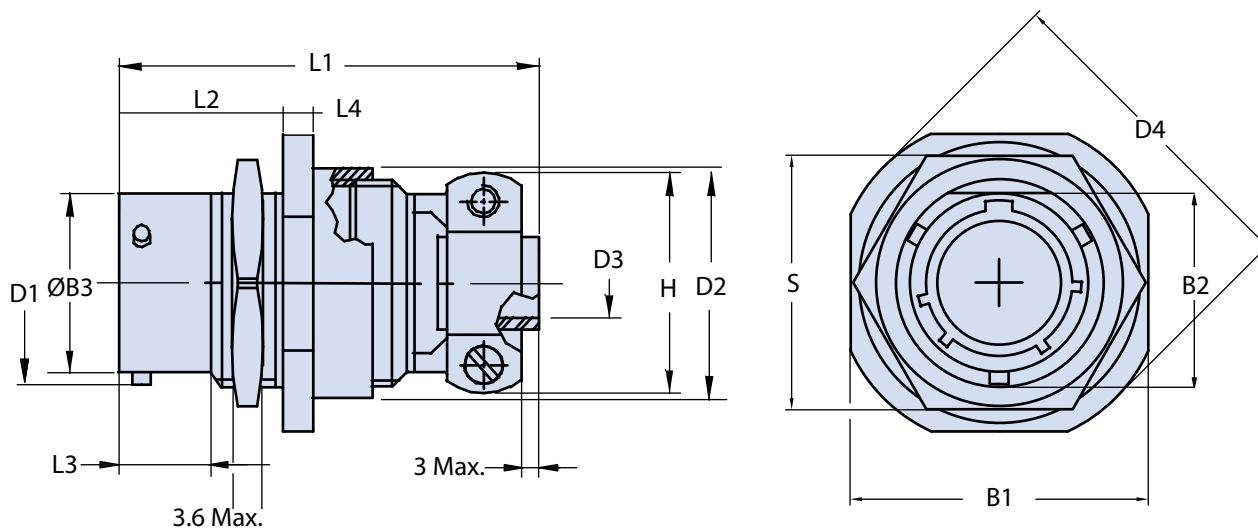
CONTACT OPTIONS	
Sym	Description
B0	Connector Without Contacts (Only for crimp version)
FINISH OPTIONS	
Sym	Description and RoHS compliant
F6	Black Electrodeposited Paint
F7	Black Zinc Nickel
F11	Electroless Nickel
MB	Marine Bronze
Omit for standard version (Cadmium Olive Drab Finish)	



IPT 07 SE...SR
Jam Nut Receptacle
Connector and Backshell with Cable Clamp and Bushing



B



Application Notes

1. Jam nut receptacle connector with shrink boot backshell.
2. Connector/Backshell Class "SE...SR" (environmental).
3. Standard materials configuration consists of aluminum alloy with stainless steel coupling pins.
4. Standard contact material consists of copper alloy with gold plating over nickel.
5. A broad range of other front and rear connector accessories are available. See our website and/or contact factory for complete information.
6. Standard insert is high insulation synthetic rubber.

IPT 07 SE...SR
Jam Nut Receptacle
Connector and Backshell with Cable Clamp and Bushing



TABLE I: DIMENSIONS

Shell size	B1 Max.	B2 +0 -0.25	ØB3 +0 -0.1	D1	D2 Min.	D3 +0.3 -0.7	D4 +0 -0.8	H ±0.2	L1 Max.	L2 +0.8 -0	L3 Min.	L4 ±0.15	S ±0.43
8	24.3	13.46	12.00	0.5625 - 24 UNEF	19.0	3.2	27.3	19.10	61.5	17.5	9.75	3.0	19.05
10	27.4	16.64	14.98	0.6875 - 24 UNEF	22.2	4.8	30.5	20.70	61.5	17.5	9.75	3.0	22.23
12	32.2	20.78	19.05	0.8750 - 20 UNEF	25.4	7.9	35.3	23.90	61.5	17.5	9.75	3.0	26.97
14	35.4	23.93	22.22	1.0000 - 20 UNEF	28.5	9.5	38.5	27.00	61.5	17.5	9.75	3.0	30.18
16	38.6	27.08	25.40	1.1250 - 18 UNEF	31.7	12.7	41.6	28.60	64.4	17.5	9.75	3.0	33.32
18	41.7	30.25	28.57	1.2500 - 18 UNEF	34.9	15.9	44.8	35.00	64.4	17.5	9.75	3.0	36.53
20	46.5	33.43	31.75	1.3750 - 18 UNEF	38.8	15.9	49.6	35.00	71.1	22.3	11.32	3.8	39.67
22	49.7	36.60	34.85	1.5000 - 18 UNEF	42.0	19.1	52.7	39.75	71.1	22.3	11.32	3.8	42.88
24	52.8	39.78	38.10	1.6250 - 18 UNEF	45.2	20.3	55.9	42.10	73.6	23.1	12.16	3.8	46.02

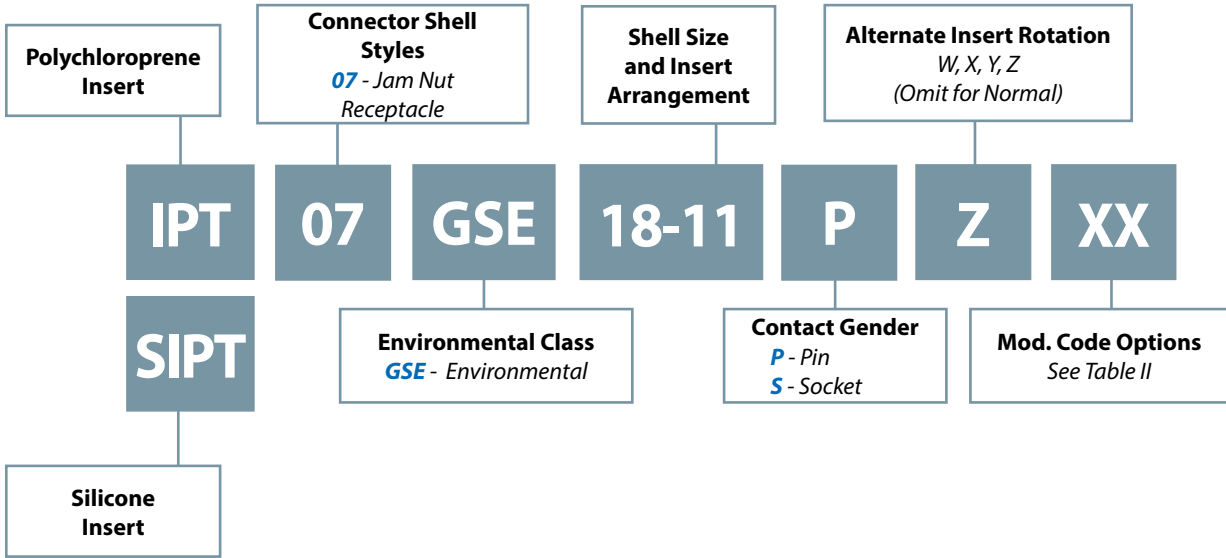
B

TABLE II: MODIFICATION CODES

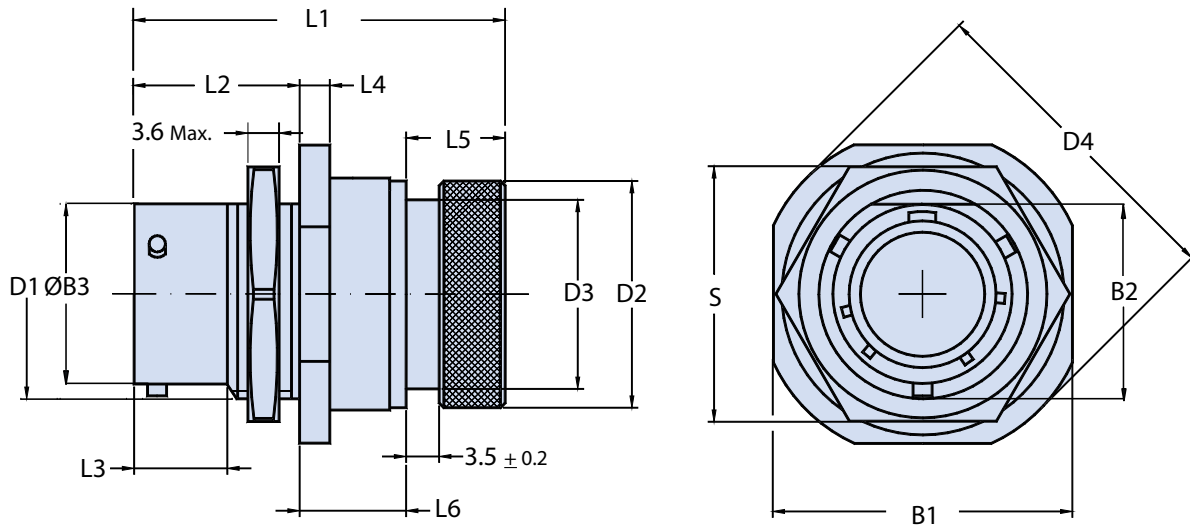
CONTACT OPTIONS	
Sym	Description
B0	Connector Without Contacts (Only for crimp version)
FINISH OPTIONS	
Sym	Description and RoHS compliant
F6	Black Electrodeposited Paint
F7	Black Zinc Nickel
F11	Electroless Nickel
MB	Marine Bronze
Omit for standard version (Cadmium Olive Drab Finish)	



IPT 07 GSE Jam Nut Receptacle with Shrink Boot Backshell



B



Application Notes

1. Jam nut receptacle connector with shrink boot backshell.
2. Connector/Backshell Class "GSE" (environmental).
3. Standard materials configuration consists of aluminum alloy with stainless steel coupling pins.
4. Standard contact material consists of copper alloy with gold plating over nickel.
5. A broad range of other front and rear connector accessories are available. See our website and/or contact factory for complete information.
6. Standard insert is high insulation synthetic rubber.

IPT 07 GSE
Jam Nut Receptacle
with Shrink Boot Backshell



TABLE I: DIMENSIONS

Shell size	B1 Max.	B2 +0 -0.25	ØB3 +0 -0.1	D1	D2 +0 -0.2	D3 +0 -0.2	D4 +0 -0.8	L1 Max.	L2 +0.8 -0	L3 Min.	L4 ±0.5	L5 ±0.1	L6 ±0.2	S ±0.43
8	24.3	13.46	12.00	0.5625-24UNEF	15.6	13.3	27.3	47.0	17.5	9.75	3.0	12.2	10.8	19.05
10	27.4	16.46	14.98	0.6875-24UNEF	18.2	16.0	30.5	47.0	17.5	9.75	3.0	12.2	11.0	22.23
12	32.2	20.78	19.05	0.8750-20UNEF	23.7	21.4	35.3	47.0	17.5	9.75	3.0	12.2	10.8	26.97
14	35.4	23.93	22.22	1.0000-20UNEF	24.5	22.2	38.5	49.0	17.5	9.75	3.0	12.2	10.8	30.18
16	38.6	27.08	25.40	1.1250-18UNEF	29.8	26.2	41.6	49.0	17.5	9.75	3.0	14.5	10.8	33.32
18	41.7	30.25	28.57	1.2500-18UNEF	32.0	28.5	44.8	49.0	17.5	9.75	3.0	14.5	10.8	36.53
20	46.5	33.43	31.75	1.3750-18UNEF	36.1	32.5	49.6	57.0	22.3	11.32	3.8	15.8	12.6	39.67
22	49.7	36.60	34.85	1.5000-18UNEF	38.5	34.8	52.7	57.0	22.3	11.32	3.8	15.8	12.6	42.88
24	52.8	39.78	38.10	1.6250-18UNEF	41.6	37.9	55.9	57.0	23.1	12.16	3.8	14.9	12.8	46.02

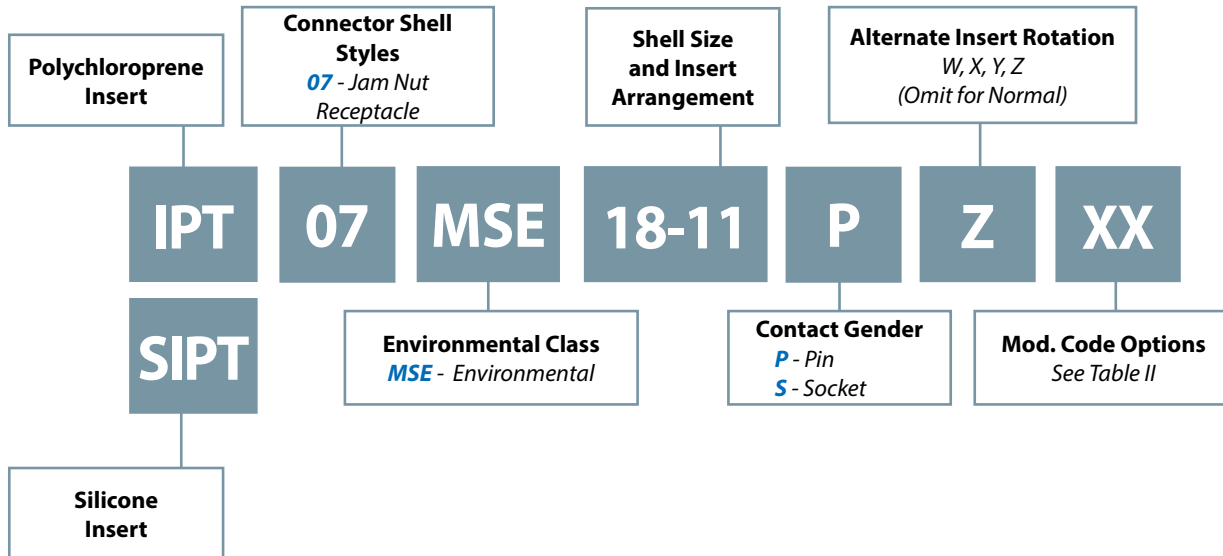
B

TABLE II: MODIFICATION CODES

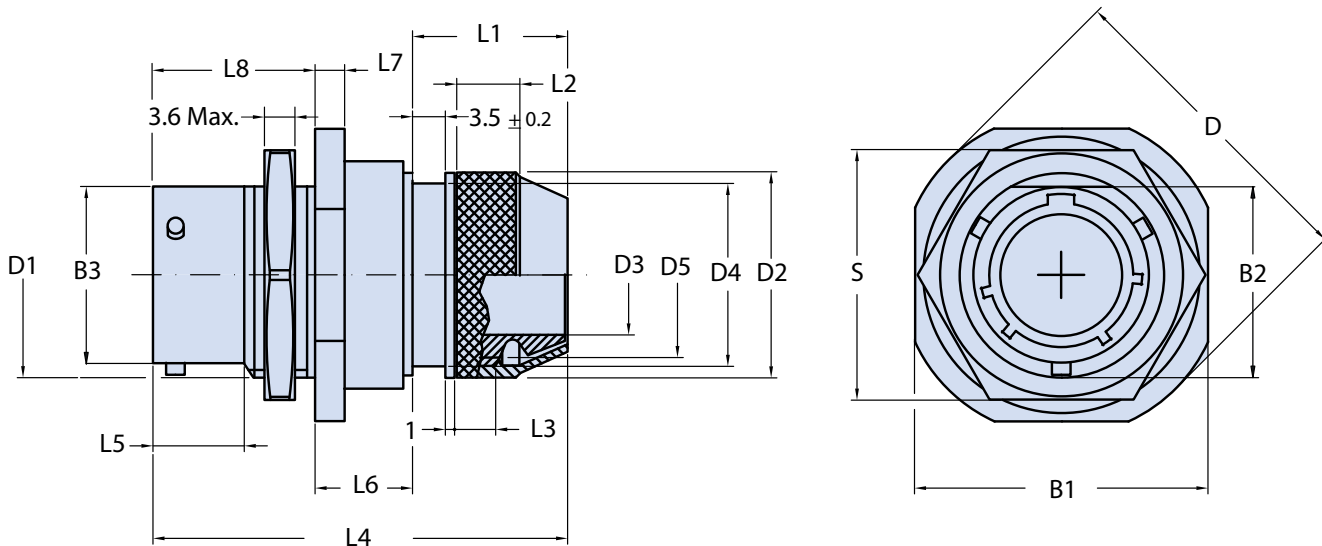
CONTACT OPTIONS	
Sym	Description
B0	Connector Without Contacts (Only for crimp version)
FINISH OPTIONS	
Sym	Description and RoHS compliant
F6	Black Electrodeposited Paint
F7	Black Zinc Nickel
F11	Electroless Nickel
MB	Marine Bronze
Omit for standard version (Cadmium Olive Drab Finish)	



IPT 07 MSE Jam Nut Receptacle with Backshell for EMI Shield Termination and Shrink Boot



B



Application Notes

1. Jam nut receptacle with EMI shield termination / shrink boot backshell
2. Connector Class "MSE" (environmental).
3. Standard materials configuration consists of aluminum alloy with stainless steel coupling pins.
4. Standard contact material consists of copper alloy with gold plating over nickel.
5. Standard insert is high insulation synthetic rubber.

IPT 07 MSE
Jam Nut Receptacle
with Backshell
for EMI Shield Termination and Shrink Boot



TABLE I: DIMENSIONS

Shell Size	B1 Max.	B2 +0 -0.25	ØB3 +0 -0.1	D1	D +0 -0.8	L4 Max.	L5 Min.	L6 ±0.2	L7 ±0.5	L8 +0.8 -0	S ±0.43
8	24.3	13.46	12.00	.5625 - 24 UNEF	27.3	52	9.75	10.8	3.0	17.5	19.05
10	27.4	16.64	14.98	.6875 - 24 UNEF	30.5	52	9.75	11.0	3.0	17.5	22.23
12	32.2	20.78	19.05	.8750 - 20 UNEF	35.3	52	9.75	10.8	3.0	17.5	26.97
14	35.4	23.93	22.22	1.0000 - 20 UNEF	38.5	53	9.75	10.8	3.0	17.5	30.18
16	38.6	27.08	25.40	1.1250 - 18 UNEF	41.6	53	9.75	10.8	3.0	17.5	33.32
18	41.7	30.25	28.57	1.2500 - 18 UNEF	44.8	53	9.75	10.8	3.0	17.5	36.53
20	46.5	33.43	31.75	1.3750 - 18 UNEF	49.6	57	11.32	12.6	3.8	22.3	39.67
22	49.7	36.60	34.85	1.5000 - 18 UNEF	52.7	59	11.32	12.6	3.8	22.3	42.88
24	52.8	39.78	38.10	1.6250 - 18 UNEF	55.9	60	12.16	12.8	3.8	23.1	46.02

For backshell dimensions D2, D3, D4, D5, L1, L2 and L3 please refer to IPT 06 MSE TABLE I: DIMENSIONS at Page B-53

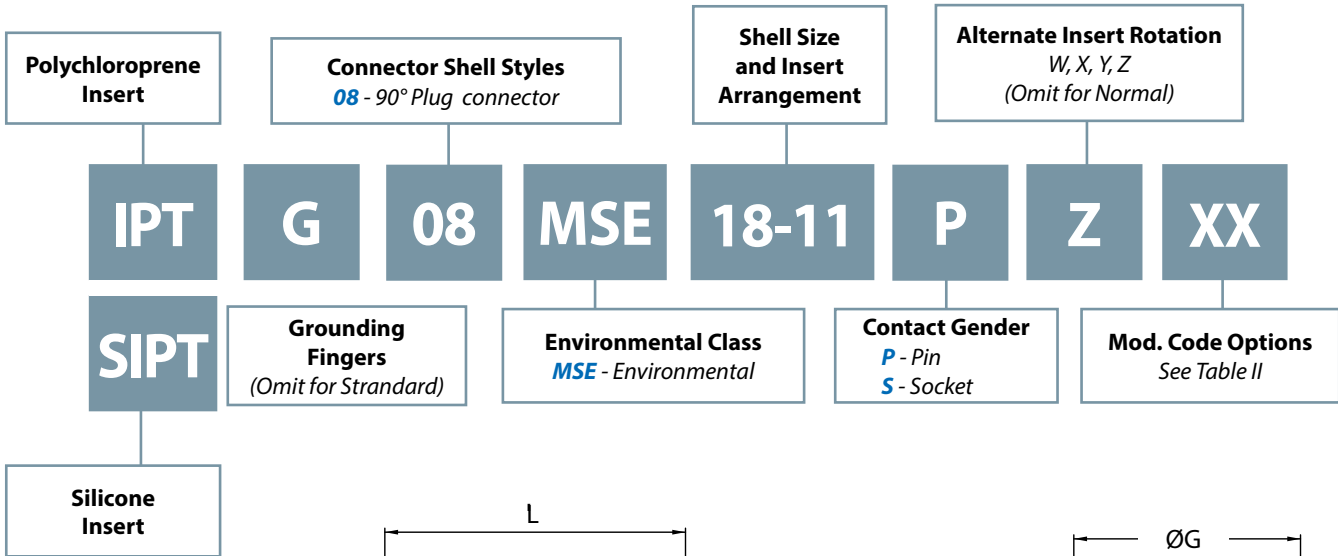
B

TABLE II: MODIFICATION CODES

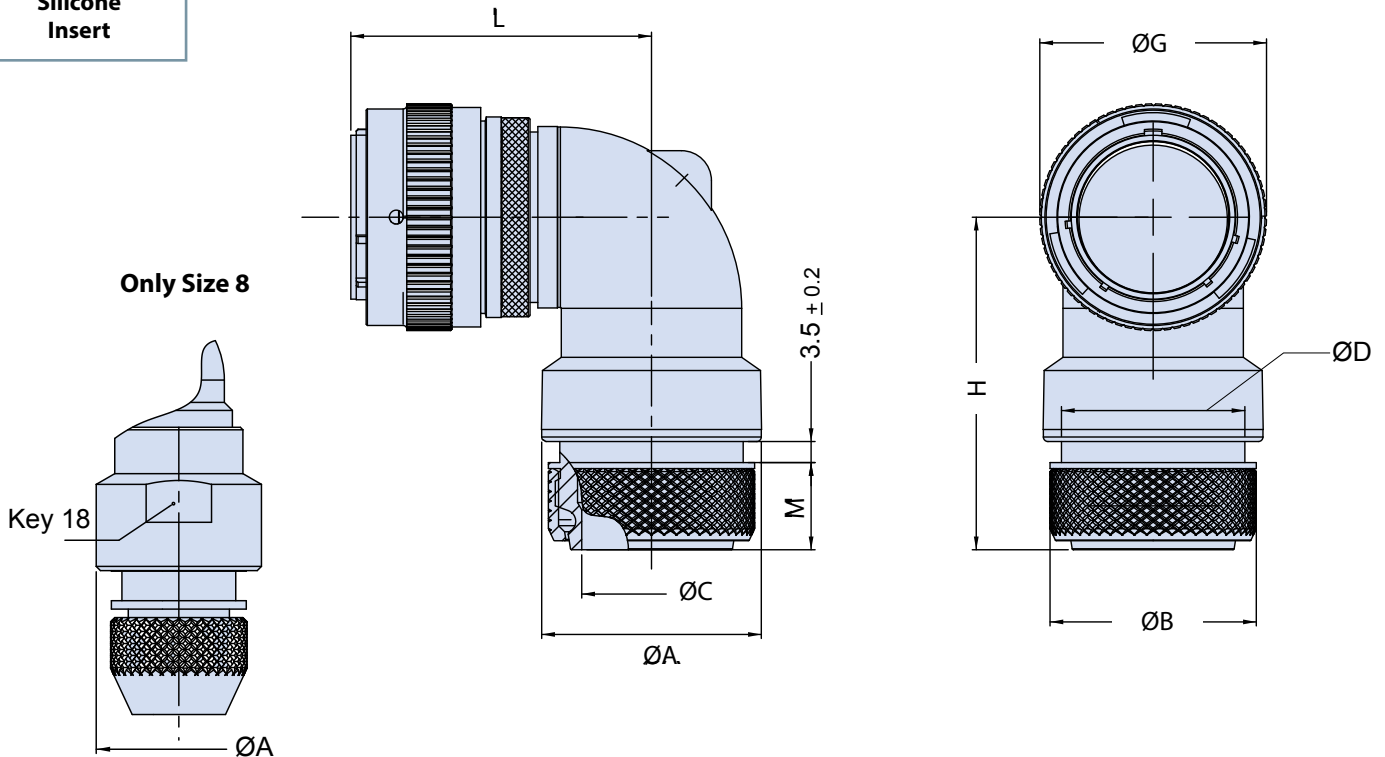
CONTACT OPTIONS	
Sym	Description
B0	Connector Without Contacts (Only for crimp version)
FINISH OPTIONS	
Sym	Description and RoHS compliant
F7	Black Zinc Nickel
F11	Electroless Nickel
MB	Marine Bronze
Omit for standard version (Cadmium Olive Drab Finish)	



IPT 08 MSE
90° Plug Connector
with Backshell
for EMI Shield Termination and Shrink Boot



B



Application Notes

1. Straight plug connector with 90° Backshell.
2. Connector Class "MSE" (environmental).
3. Standard materials configuration consists of aluminum alloy with stainless steel coupling pins.
4. Standard contact material consists of copper alloy with gold plating over nickel.
5. Standard insert is high insulation synthetic rubber.

IPT 08 MSE
90° Plug Connector
 with Backshell
 for EMI Shield Termination and Shrink Boot



TABLE I: DIMENSIONS

Shell Size	ØA ± 0.2	ØB ± 0.2	ØC +0.1/0	ØD 0/-0.2	M ± 0.5	ØG ±0.2	L Max.	H Max.
8	19.6	16.20	6.80	13.50	13.50	18.10	34.50	53.50
10	19.05	18.30	9.30	15.80	12.50	21.05	37.50	45.10
12	22.00	22.30	12.25	19.80	13.50	25.15	37.50	48.00
14	25.50	25.30	15.40	22.60	14.50	28.40	39.20	49.50
16	30.175	28.30	18.50	26.00	14.50	31.60	44.40	52.70
18	30.175	32.30	20.20	28.20	14.50	35.00	46.60	56.60
20	36.60	34.30	23.30	30.50	14.50	37.70	50.50	55.80
22	36.60	38.20	26.00	34.00	14.50	40.20	54.40	59.60
24	44.80	41.30	29.00	37.20	14.50	44.00	55.70	58.60

B

TABLE II: MODIFICATION CODES

CONTACT OPTIONS	
Sym	Description
B0	Connector Without Contacts (Only for crimp version)
FINISH OPTIONS	
Sym	Description and RoHS compliant
F7	Black Zinc Nickel
F11	Electroless Nickel
MB	Marine Bronze
Omit for standard version (Cadmium Olive Drab Finish)	

SERIES 921

SUPER ITS™

High-performance reverse-bayonet power and signal connectors for harsh application environments



Glenair is one of the world's most experienced manufacturers of reverse-bayonet, 5015 type power and signal connectors. Our ITS series connectors have been used in thousands of industrial, rail, and military applications. Now Glenair has taken this proven reverse-bayonet coupling technology and combined it with next-generation materials and design to create the ultimate high-performance power and signal cylindrical connector. The Series 921 Super ITS™ features vastly improved mechanical, environmental and electrical performance compared to standard-duty 5015 type industrial connectors. From its high-ampacity LouverBand contacts to its high-temperature PTFE inserts, the Super ITS™ is the ultimate power distribution and signal transmission connector for harsh environments.



Glenair Italia S.p.A.
Via del Lavoro, 7.
40057 - Quarto Inferiore
91201-2497
Granarolo dell'Emilia - Italy
Tel. +39 051 782811
Fax +39 051 782259
info@glenair.it
www.glenair.it

IPT Series



General Duty Solder and Crimp Contact MIL-DTL-26482 Serie I Bayonet Connector **Section C**

Bayonet-Lock Signal Connectors (MIL-DTL-26482 Serie I)

Product Line Overview

C-2 - C3

Bayonet-Lock Signal Connectors (MIL-DTL-26482 Serie I)

Styles and Classes

C-4 ; C-6

How to Order • Part Number Breakdown

C-7

Cross Section

C-8

Technical data

C-9

Materials and Finishes

C-10

Contact Dimensions

C-11

Insert Arrangement Tables and Alternate Inserto Position

C-12

Alternate Key Positions

C-13

Fastener Height Requirements and Panel Cutout Dimensions

C-14

Available Insert Arrangements

C-15 ; C-17

IPT Connectors Configurations

C-18



An Economical Connector Solution for General Electronics, Industrial Controls, Instrumentation and Military Vehicles

Harsh Application Environments

The Glenair Series IPT Bayonet-Lock Signal Connector is ideally suited for all interconnect applications that require a general-duty connector equipped with solder cup contacts and one-piece rubber insert. The bayonet coupling mechanism provides fast and easy mating, especially when the connector is situated in an awkward or hard to reach location. The connector's high resistance to vibration and shock provides foolproof performance in even the most rigorous application environments. Environmental protection up to IP67 levels provides additional reliability and the flexibility to specify these rugged connectors in harsh applications such as machine tools and factory automation. Supplied solder cup contacts are gold-plated over nickel. Optional crimp contacts

are available, however the Glenair IPT SE series, with its industry standard rear-release crimp contacts and retention clip mechanism is better suited for all high-performance applications that require crimp contacts. Sealing members in the IPT series are made from resilient neoprene rubber. The standard insert material is synthetic rubber. There are 40 different size 12, size 16 and size 20 insert arrangements and nine shell sizes.

Intermateability

The Series IPT Connector is interchangeable and intermateable with the wide range of industry-standard bayonet connectors designed around MIL-DTL-26482 Series I and/or qualified to VG 95328, including VEAM VPT, Amphenol PT, Amphenol Limited 62GB, and ITT Cannon KPT.

Solder Cup Version with Optional Crimp Contacts
Resilient Environmental Inserts
Fast, Easy Bayonet Coupling
40 Power and Signal Insert Arrangements
All Shell Styles: Plug, Square Flange, Jam-Nut, etc.
High Shock and Vibration Resistance
Pin Counts from 2 to 61; Size #12, #16 and #20 Contacts
Audible and Visual Coupling Indicators
Keyed Polarization



MIL-C-26482

The Glenair IPT miniature bayonet-lock connector series is based on the MIL-DTL-26482 Series I standard, and shares the same insert arrangements, shell dimensions, supported contacts and electrical performance ratings as MIL-DTL-26482 and VG 95328. The MIL-DTL-26482 type 3-point bayonet coupling mechanism provides easy mating and positive locking resistance to vibration, shock, and other connector de-coupling forces in general duty and environmental interconnect systems such as military and commercial aircraft, medical equipment, industrial controls, factory robotics, instrumentation and other general electronic applications.

Component Materials

IPT connectors are available in aluminum alloy and marine bronze are supplied with a range of popular and RoHs compatible shell plating finishes. Most styles are available in either a basic (A) version as well as an (E) version that ships with a wire sealing grommet for additional environmental protection. Our F6,F7 and F11 platings are RoHs compliant.

EMI and Environmental Applications

IPT Series connectors are perfectly suited for use in rugged applications where EEC compliance directives for electromagnetic compatibility is required. A complete range of EMI shield termination accessories are available for both overall as well as individual wire shields.

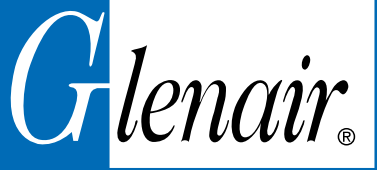
Equipped with the appropriate backshells and environmental sealing, the connectors are submersible for 48 hours up to a depth of two meters.

Connector Accessories

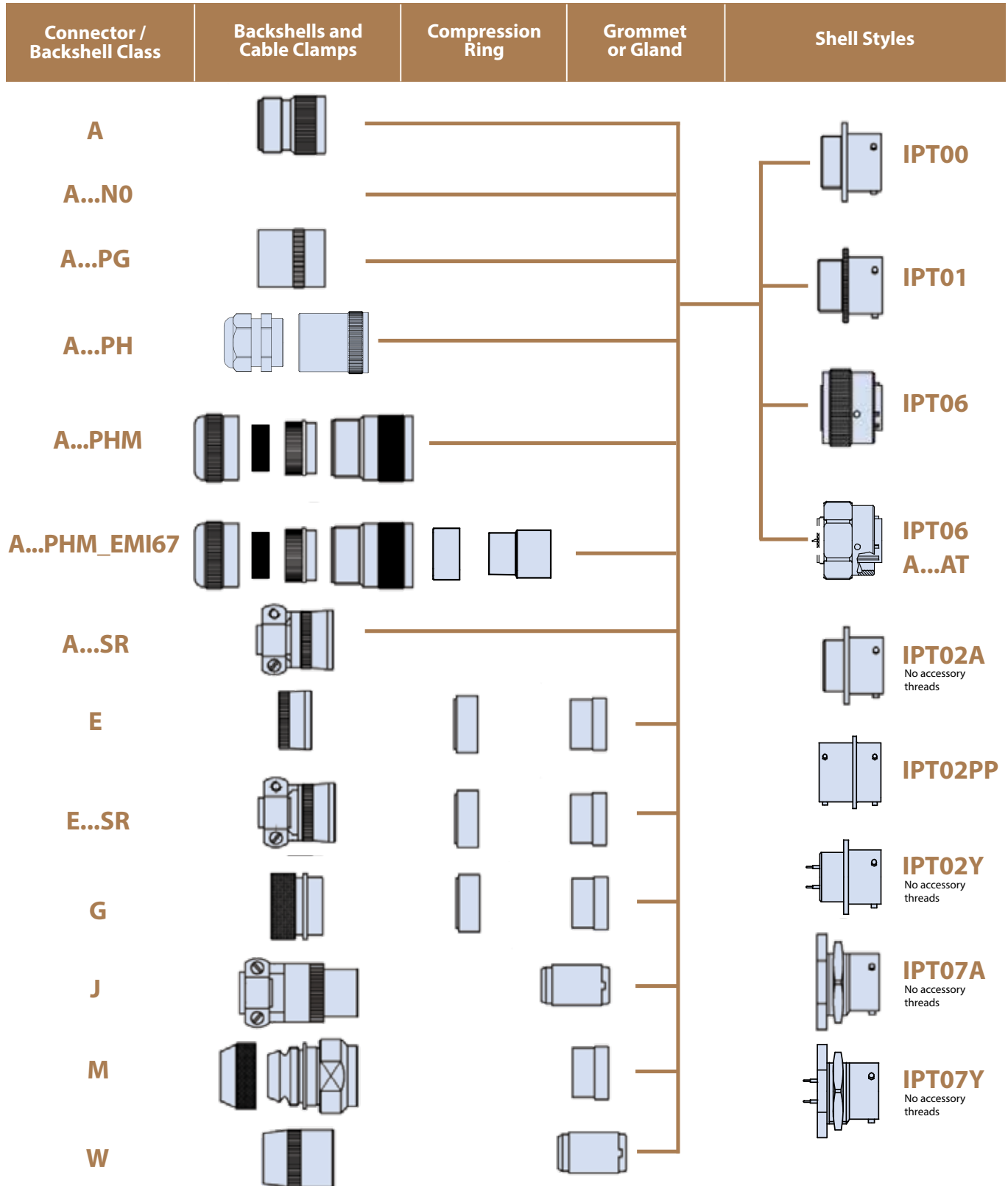
Many of the IPT Series connectors come standard already paired with selected backshell accessories for most application requirements. See the accessory descriptions on the opposite page for more information. A full range of additional connector accessories including dustcaps and EMI gaskets are also available.

Please contact the factory for additional information or any of our worldwide sales and engineering facilities. Glenair's website, www.glenair.com also has complete information on these products, as well as other ruggedized power and signal connectors.



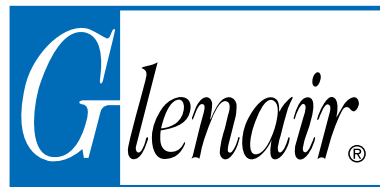


Glenair IPT Series Bayonet-Lock Signal Connectors (MIL-DTL-26482 Serie I) Styles and Classes



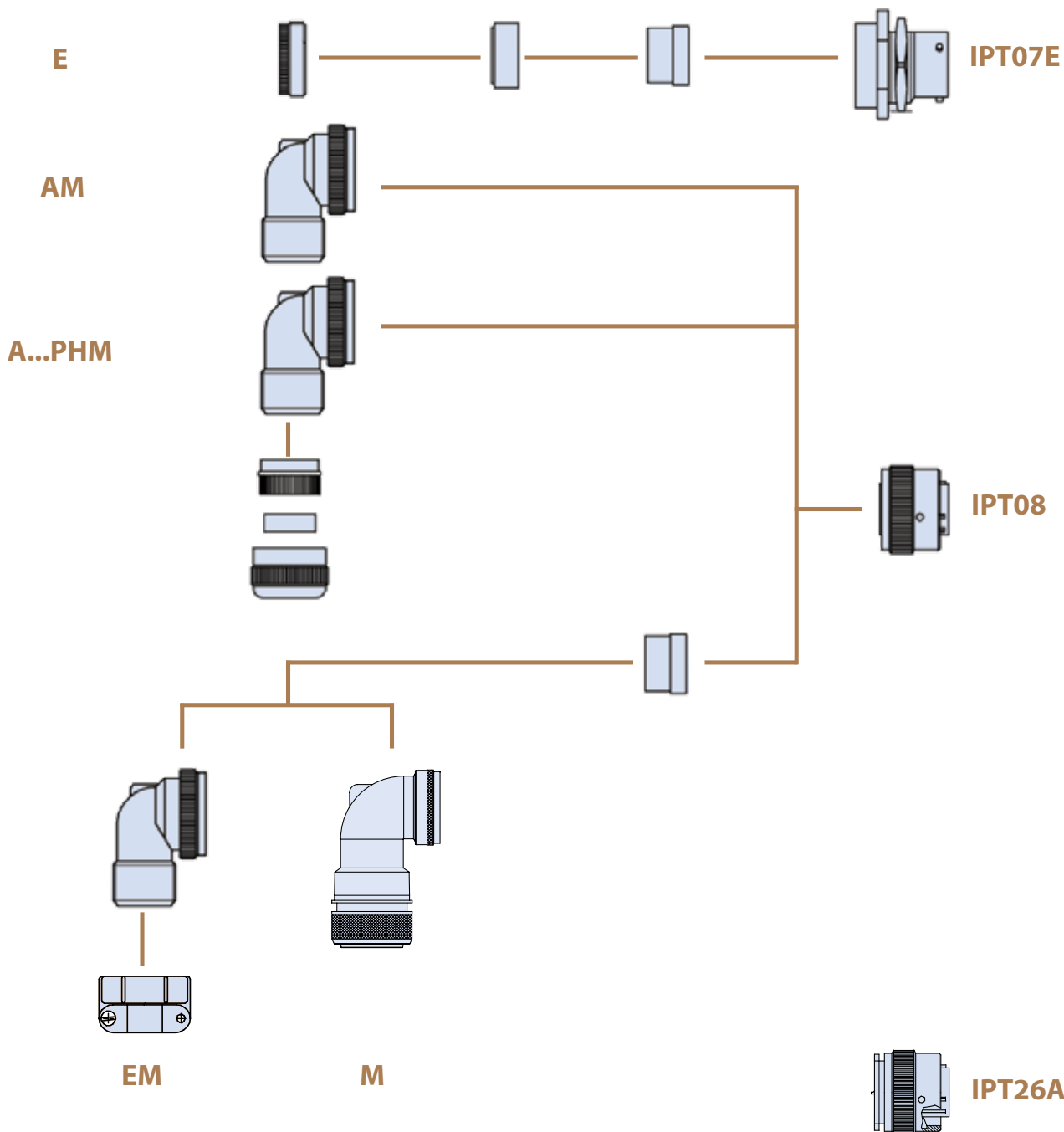
C

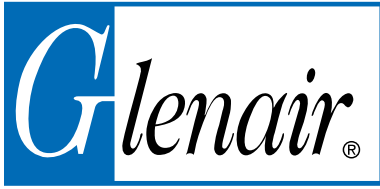
Glenair IPT Series
Bayonet-Lock Signal Connectors (MIL-DTL-26482 Serie I)
Styles and Classes



IPT Series
Bayonet Lock
Connectors

Connector / Backshell Class	Backshells and Cable Clamps	Compression Ring	Grommet or Gland	Shell Styles
-----------------------------	-----------------------------	------------------	------------------	--------------





Glenair IPT Series Bayonet-Lock Signal Connectors (MIL-DTL-26482 Serie I) Styles and Classes

Glenair IPT Series products are typically supplied in termination assemblies that include the chosen style of connector together with a specific backshell accessory.

A: For general-duty applications. This non-environmental connector-backshell assembly is supplied with a general-duty backshell for the attachment of additional accessories such as MS 3057 cable clamps (ordered separately). Non-environmental: no grommet supplied.

A...NO For general-duty applications. This non-environmental connector is supplied with rear threads for the attachment of additional backshell (ordered separately).

A...PG: Straight plug with PG threaded backshell for attachment of PG cable glands in compliance with DIN 40430 (not included).

A...PH: Straight plug with backshell and plastic cable glands.

A...PHM: Connector with quick and easy to assemble PHM cable gland backshell. Supplied with different diameter sleeves to accommodate varying cable sizes.

A...SR: Same as class A, but with cable clamp and bushing for cable protection.

E: For general-duty environmental applications using individual wires. Environmental sealing is provided through an individual wire sealing grommet in the connector. No cable clamp supplied.

E...SR: Same as class E, but with cable clamp and bushing for cable protection.

G: Plug with straight backshell for heatshrink boot.

J: Same as class W, but with cable clamp for improved strain relief.

M: Plug with removable backshell for screen termination and heatshrink boot.

W: Long backshell to ease assembly. Incorporates metal sleeve and gland seal to provide overall cable sealing for improved environmental protection. No cable clamp provided.

AM: Non-environmental with 90° backshell.

EM: Environmental (rear wire sealing grommet) 90° backshell with cable clamp.

A...PHM EMI67: Watertight connector and PHM cable gland backshell, resistant up to IP67, suitable for EMI shielded cables. Supplied with different diameter sleeves to accommodate varying cable diameters.

Glenair IPT Series
Bayonet-Lock Signal Connectors (MIL-DTL-26482 Serie I)
 How to Order • Part Number Breakdown



IPT Series
Bayonet Lock
Connectors

Environmental Class
A, AM - Indicates the Supplied Connector/Backshell Assembly Does Not Include a Wire Sealing Grommet
E, G, M, EM - Indicates the Supplied Connector/Backshell Assembly Includes a Wire Sealing Grommet
W, J - Indicates the Supplied Connector/Backshell Assembly Includes an Overall Cable Sealing Gland

Accessory Description*
PG - Backshell for Attachment of PG Cable Gland
PH - Backshell with Plastic PG Cable Gland
PHM - Backshell with PHM Cable Gland
PHM-EMI67 - EMI Backshell with PHM Cable Gland and up to IP67 Level Environmental Sealing
SR - Cable Clamp and Bushing
NO - No Backshell
NO - No Backshell
NOG - Supplied with Grommet and Compression Ring, No backshell
NO AT - Arctic Coupling Nut Supplied w/out Backshell
**Not Used When Environmental Class Code Incorporates the Backshell Description—See Individual Catalog Pages for Details*

Alternate Key Position*
B, C, E, F
 (Omit for N)

Polychloroprene Insert

Alternate Rotation
 (Omit for Normal)

Contact Type
C - Crimp
 (Omit for Solder Cup)



SIPT
Silicone Insert

Plug Grounding Fingers
 Omit for Standard

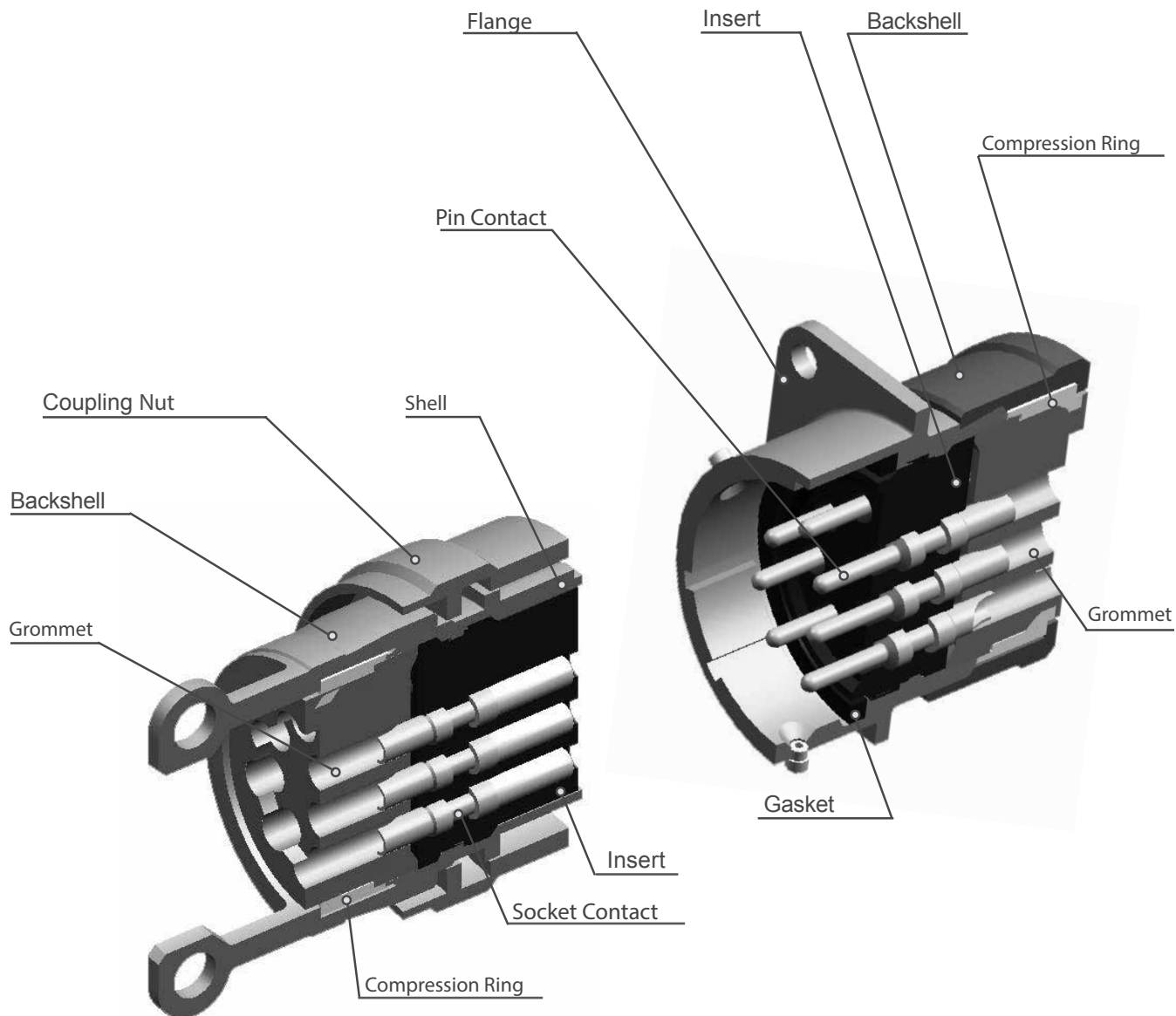
Shell Size and Insert Arrangement

Contact Gender
P - Pin
S - Socket

Mod Code Options
F6 - Black Electro-deposited Paint (RoHs)
F7 - Black Zn-Ni Plating (RoHs)
F11 - Electroless Nickel (RoHs)
MB - Marine Bronze (RoHs)
(Omit for Standard Finish - Cad/Olive Drab)

Connector Shell Styles
00 - Wall Mounting Receptacle with Accessory Threads
01 - In-Line Cable Connector with Accessory Threads
02 - Box Mounting Receptacle with No Accessory Threads
02PP - Through Bulkhead Receptacle
06 - Straight Plug Connector with Accessory Threads
07 - Rear Box Mount Jam Nut Receptacle
08 - 90° Backshell
26 - Box Mount Square Flange Plug Connector

***For Alternate Key Positions (Page C-13), please contact the factory.**



The Glenair IPT miniature bayonet-lock connector series features a 3 point bayonet coupling mating interface with stainless steel coupling pins for advanced durability. Resilient inserts provide outstanding dielectric performance and environmental protection. Individual wire sealing grommets elevate the environmental protection rating up to IP67. Conductive metal shells and plating provide a reliable ground plane for EMI applications when connectors are combined with appropriate shield termination backshells. Ground springs are also available in plug versions to further enhance EMC. Shells are keyed with five total alternate key positions. Inserts may also be clocked for additional polarization protection. The connectors are temperature rated from -55°C to +125°C (Polychloroprene) and -55°C to +200°C (Silicone). Standard solder cup contact versions enable direct attachment of wire without the use of specialized crimp tools.

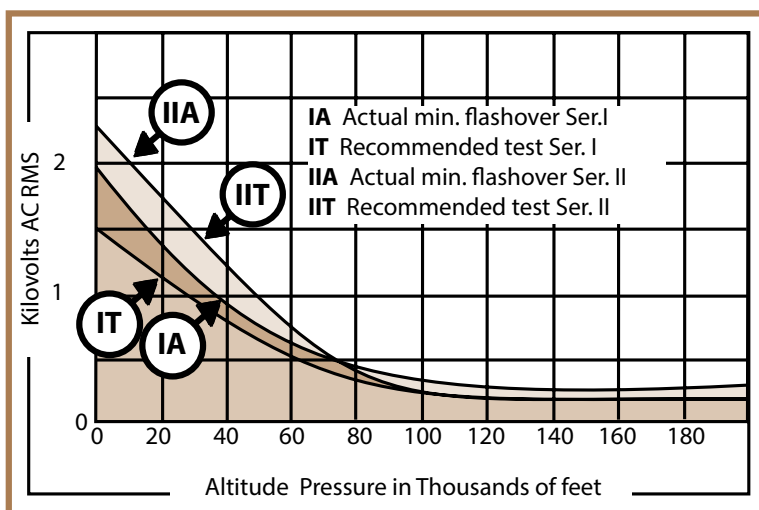
Glenair IPT Series
Bayonet-Lock Signal Connectors (MIL-DTL-26482 Serie I)
Technical Data



IPT Series
Bayonet Lock
Connectors

Service Rating			
Class	Operating voltage AC	Operating voltage DC	Test voltage AC
I	600	700	1500
II	1000	1250	2300

Potential Drop		
Contact size	Test current	Potential drop
20	7.5 A	55 mV
16	13.0 A	50 mV
12	23 A	50 mV





Glenair IPT Series Bayonet-Lock Signal Connectors (MIL-DTL-26482 Serie I) Materials and Finishes

MATERIALS	
COMPONENT	MATERIAL
Shells	Aluminum Alloy IAW QQ-A-591 Shells Stainless Steel Coupling Pins Stainless Steel Spring
Inserts (Temperature Range)	High Insulation Synthetic Rubber (Chloroprene): -55°C/+125°C
Contacts	Copper Alloy with Gold Plating Over Nickel

STANDARD MATERIAL & FINISH OPTIONS					
Property	RoHS				Not RoHS
	Alum/Black Non Conductive	Alum/Black Conductive	Alum/Electroless Nickel	Unplated/Marine Bronze	Alum/Cadmium Olive Drab
	F6	F7	F11	MB	G3
Temperature Range	-55°C + 125°C	-55°C + 175°C	-55°C + 125°C	-55°C + 200°C	-55°C + 125°C
Salt Spray Hours	500	500	48	1000	500
Electical Conductivity	NO	Good	Very Good	Very Good	Very Good

TABLE II: MODIFICATION CODES

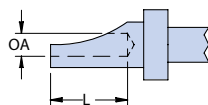
CONTACT OPTIONS	
Sym	Description
B0	Connector Without Contacts (Only for crimp version)
FINISH OPTIONS	
Sym	Description and RoHS compliant
F6	Black Electrodeposited Paint
F7	Black Zinc Nickel
F11	Electroless Nickel
MB	Marine Bronze
Omit for standard version (Cadmium Olive Drab Finish)	

Glenair IPT Series Bayonet-Lock Signal Connectors (MIL-DTL-26482 Serie I) Contact Dimensions



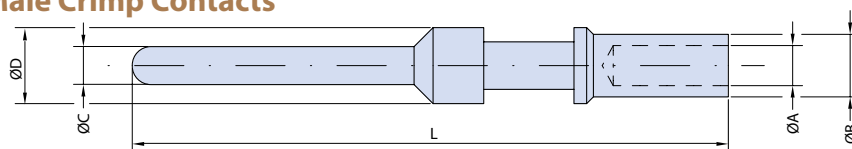
IPT Series
Bayonet Lock
Connectors

IPT Solder Cup Contacts



Contact size	Ø A	L	AWG Max.	Max. wire section
20S / 20	1.16	3.17	20	0.6 mmq
16S / 16	1.98	4.77	16	1.2 mmq
16 - 2.5	3.00	6.10	-	2.5 mmq

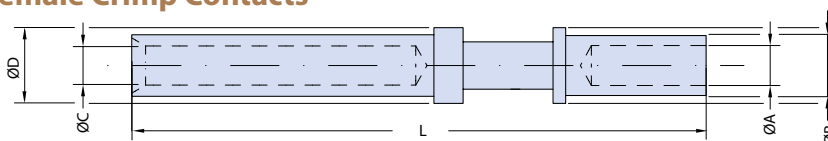
IPT...C Optional Male Crimp Contacts



P/N	Size	mmq	AWG	A	B	C	D	L
10-374-20	20S	0.2÷0.5	20	1.30 +0.03 0	1.93 +0.02 -0.02	1.00 ±0.02	2.0 +0 -0.03	20.37 ±0.1
			22					
			24					
10-375-20	20	0.2÷0.5	20	1.30 +0.03 0	1.93 +0.02 -0.02	1.00 ±0.02	2.0 +0 -0.03	24.33 ±0.1
			22					
			24					
10-374-16	16S	0.5÷1	16	1.72 +0.03 0	2.60 +0.02 -0.02	1.57 ±0.02	3.2 +0 -0.03	22.30 ±0.1
			18					
			20					
10-375-16	16	0.2÷0.5	16	1.72 +0.03 0	2.60 +0.02 -0.02	1.57 ±0.02	3.2 +0 -0.03	25.80 ±0.1
			18					
			20					
10-373-12S	12S	2.5÷3	14	2.50 +0.1 0	3.80 +0.2 0	2.38 ±0.02	4.0 +0 -0.03	22.50 ±0.1
			12					
10-373-12	12	2.5÷3	14	2.50 +0.1 0	3.80 +0.2 0	2.38 ±0.02	4.0 +0 -0.01	26.30 ±0.1
			12					

Shell Sizes 8 through 18 use the shorter contacts, designated as 16S and 20S

IPT...C Optional Female Crimp Contacts



P/N	Size	mmq	AWG	A	B	C	D	L
10-571-20LC	20S	0.2÷0.5	20	1.30 +0.03 0	1.93 +0.02 -0.02	1.08 ±0.02	1.96 +0 -0.03	20.40 ±0.1
			22					
			24					
10-573-20LC	20	0.2÷0.5	20	1.30 +0.03 0	1.93 +0.02 -0.02	1.08 ±0.02	1.96 +0 -0.03	24.40 ±0.1
			22					
			24					
10-571-16LC	16S	0.5÷1	16	1.72 +0.03 0	2.60 +0.02 -0.02	1.65 ±0.02	2.80 +0 -0.03	22.25 ±0.1
			18					
			20					
10-573-16LC	16	0.5÷1	16	1.72 +0.03 0	2.60 +0.02 -0.02	1.65 ±0.02	2.80 +0 -0.03	25.80 ±0.1
			18					
			20					
10-576-12S	12S	2.5÷3	14	2.50 +0.1 0	3.80 +0.2 0	2.48 ±0.05	4.0 +0 -0.01	21.45 ±0.1
			12					
10-576-12	12	2.5÷3	14	2.50 +0.1 0	3.80 +0.2 0	2.48 ±0.05	4.0 +0 -0.01	25.40 ±0.1
			12					

Shell Sizes 8 through 18 use the shorter contacts, designated as 16S and 20S



Glenair IPT Series Insert Arrangement Tables and Alternate Insert Rotation

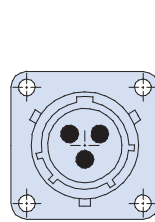
Arrangement	Cl. Isol. Rating	Dim. contact size					
		20S	20	16S	16	12S	12
8 - 2	I	2					
8 - 3	I	3					
8 - 3A	I	3					
8 - 4	I	4					
8 - 33	I	3					
10 - 2	II			2			
10 - 6	I	6					
10 - 7	I	7					
10 - 8	I	8					
10 - 98	I	6					
12 - 3	II			3			
12 - 4	I			4			
12 - 8	I	8					
12 - 10	I	10					
12 - 14	I	14					
12 - A6	I			6			
14 - 4	I					4	
14 - 5	II			5			
14 - 12	I	8		4			
14 - 12/3	II			12			
14 - 14 *	I	14					
14 - 15	I	14		1			
14 - 18	I	18					
14 - 19	I	19					
16 - 2**	I				2 **		
16 - 8	II			8			
16 - 23	I	22		1			
16 - 26	I	26					
16 - 99	I	21		2			
18 - 11	II			11			
18 - 32	I	32					
20 - 16	II				16		
20 - 39 *	I		37		2		
20 - 41	I		41				
22 - 21 *	II				21		
22 - 36	I		36				
22 - 41	I		27		14		
22 - 55	I		55				
22 - 95	I		26				6
24 - 61	I		61				

Arrangement	Degrees			
	W	X	Y	Z
8 - 2	58	122		
8 - 3	60	210		
8 - 3A	60			
8 - 4	45			
8 - 33	90			
10 - 2				
10 - 6	90			
10 - 7	90			
10 - 8				
10 - 98	90	180	240	270
12 - 3			180	
12 - 4	38			
12 - 8	90	112	203	292
12 - 10	60	155	270	295
12 - 14	60	155	270	295
12 - A6				
14 - 4	45			
14 - 5	40	92	184	273
14 - 12	43	90		
14 - 12/3				
14 - 14	17	110	155	234
14 - 15	17	110	155	234
14 - 18	15	90	180	270
14 - 19	30	165	315	
16 - 2**				
16 - 8	54	152	180	331
16 - 23	158	270		
16 - 26	60		275	338
16 - 99	66	156	223	340
18 - 11	62	119	241	340
18 - 32	85	138	222	265
20 - 16	238	318	333	347
20 - 39	63	144	252	333
20 - 41	45	126	225	
22 - 21	16	135	175	349
22 - 36	72	144	216	288
22 - 41	39	135	264	
22 - 55	30	142	226	314
22 - 95	26	180	266	
24 - 61	90	180	270	324

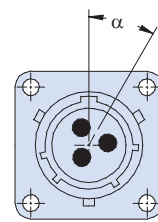
* Consult Factory

** These contacts accept 2,5 mm² wires. The reduced air/creepage distance may worsen the service rating. The max current rating is limited by the contact max current rating. See page C-9.

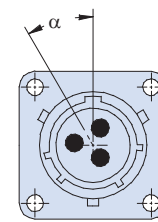
Supplied only for classes without grommet (non environmental) solder contacts only.



Normal Position



Alternate Position with Pin Contacts



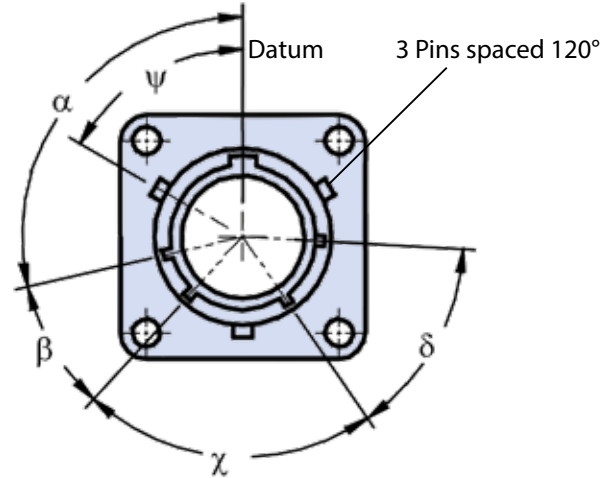
Alternate Position with Socket Contacts

Glenair IPT Series Alternate Key Positions for BS9522 F0017



Datum is always taken from major key. In receptacles the major key always remains fixed. For the B, C, E and F orientations, the three bayonet locations and associated minor key are rotated, in accordance with the tables below. Corresponding key orientations for a mating plug shell are always clockwise.

Shell Size	N Polarization				
	α	β	χ	δ	ψ
8	105	35	75	50	60
10	105	35	75	50	60
12	105	35	75	50	60
14	105	35	75	50	60
16	105	35	75	50	60
18	105	35	75	50	60
20	105	35	75	50	60
22	105	35	75	50	60
24	105	35	75	50	60



Shell Size	B Polarization				
	α	β	χ	δ	ψ
8	-	-	-	-	-
10	85	35	75	50	40
12	89	35	75	50	44
14	91	35	75	50	46
16	93	35	75	50	48
18	95	35	75	50	50
20	95	35	75	50	50
22	97	35	75	50	52
24	97	35	75	50	52

Shell Size	C Polarization				
	α	β	χ	δ	ψ
8	-	-	-	-	-
10	125	35	75	50	80
12	121	35	75	50	76
14	119	35	75	50	74
16	117	35	75	50	72
18	115	35	75	50	70
20	115	35	75	50	70
22	113	35	100	50	68
24	113	35	75	50	68

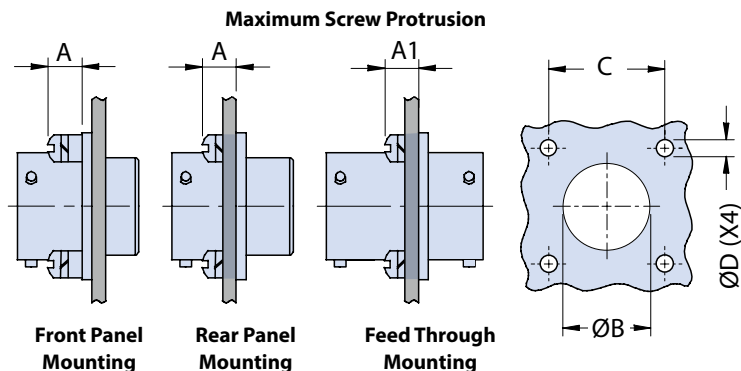
Shell Size	E Polarization				
	α	β	χ	δ	ψ
8	118	30	100	30	73
10	115	30	100	30	70
12	115	30	100	30	70
14	75	30	100	30	30
16	75	30	100	30	30
18	75	30	100	30	30
20	75	30	100	30	30
22	75	30	75	30	30
24	75	30	100	30	30

Shell Size	F Polarization				
	α	β	χ	δ	ψ
8	82	50	75	45	47
10	85	50	75	45	50
12	85	50	75	45	50
14	120	50	75	35	75
16	120	50	75	35	75
18	120	50	75	35	75
20	120	50	75	35	75
22	120	50	75	35	75
24	120	50	75	35	75

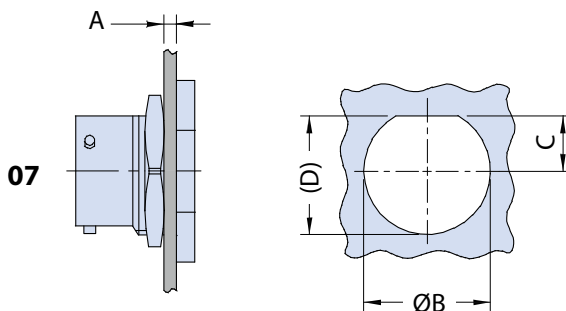


Glenair IPT Series Bayonet-Lock Signal Connectors (MIL-DTL-26482 Serie I) Fastener Height Requirements and Panel Cutout Dimensions

For front panel mount square flange connectors (00) the "A" dimension indicates the measured maximums that mounting hardware can stand proud from the connector flange before it will interfere with connector mating. For rear box mount square flange connectors (02) the same "A" column maximum dimensions apply, but in this case the measurement taken includes the thickness of the panel wall or box (so the mounting hardware needs to be correspondingly shorter). Column "A1" defines the max dimensions for the bulkhead feedthrough (02PP) before mounting hardware interferes with mating.



Panel thickness and panel cutout						
Shell Size	A max	A1 max	ØB +0.2 / -0		C ±0.1	ØD ±0.12
			Front Panel	Rear Panel		
8	2.2	5.54	12.7	15.0	15.10	3.04
10	2.2	5.54	16.0	18.0	18.25	3.04
12	2.2	5.54	19.0	22.5	20.60	3.04
14	2.2	5.54	22.2	25.7	23.00	3.04
16	2.2	5.54	25.5	29.0	24.60	3.04
18	2.2	5.54	28.5	32.0	27.00	3.04
20	5.4	8.74	31.7	35.2	29.35	3.04
22	5.4	8.74	35.0	38.5	31.75	3.04
24	5.4	7.9	38.0	41.6	34.90	3.73

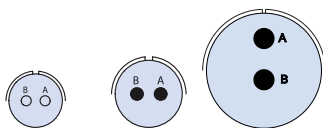


Panel thickness and panel cutout for Jam Nut connectors				
Shell Size	A min - max	ØB +0.2 / -0	C +0 / -0.25	(D)
8	1.6 - 3.2	14.5	6.35	13.6
10	1.6 - 3.2	17.7	7.95	16.8
12	1.6 - 3.2	22.7	9.55	20.9
14	1.6 - 3.2	25.7	11.25	24.1
16	1.6 - 3.2	28.8	12.80	27.2
18	1.6 - 3.2	32.0	14.40	30.4
20	1.6 - 6.3	35.1	16.10	33.6
22	1.6 - 3.2	38.4	17.6	36.8
24	1.6 - 3.2	41.5	19.25	40.0

Glenair IPT Series Available Insert Arrangements



2 Contacts



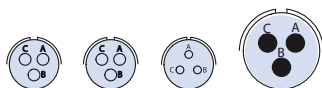
Arrangement:	8-2	10-2	16-2
Contact Size:	20	16	16**
Service Rating:	I	II	I

7 Contacts



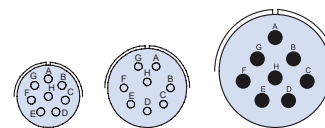
Arrangement:	10-7
Contact Size:	20
Service Rating:	I

3 Contacts



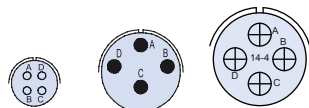
Arrangement:	8-3	8-3A	8-33	12-3
Contact Size:	20	20	20	16
Service Rating:	I	I	I	II

8 Contacts



Arrangement:	10-8	12-8	16-8
Contact Size:	20	20	16
Service Rating:	I	I	II

4 Contacts



Arrangement:	8-4	12-4	14-4
Contact Size:	20	16	12
Service Rating:	I	I	I

10 Contacts



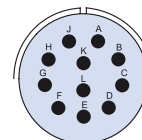
Arrangement:	12-10
Contact Size:	20
Service Rating:	I

5 Contacts



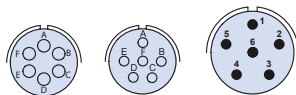
Arrangement:	14-5
Contact Size:	16
Service Rating:	II

11 Contacts



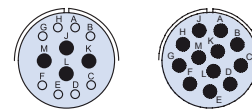
Arrangement:	18-11
Contact Size:	16
Service Rating:	II

6 Contacts



Arrangement:	10-6	10-98	12-A6
Contact Size:	20	20	16
Service Rating:	I	II	I

12 Contacts



Arrangement:	14-12	14-12/3
Contact Size:	8-20, 4-16	16
Service Rating:	I	I

Contact Legend



20



16



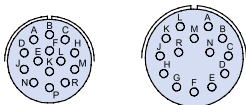
12

** See page C-12



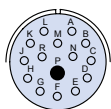
Glenair IPT Series Available Insert Arrangements

14 Contacts



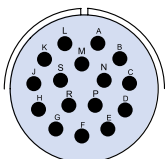
Arrangement:	12-14	14-14*
Contact Size:	20	20
Service Rating:	I	I

15 Contacts



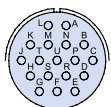
Arrangement:	14-15
Contact Size:	14-20, 1-16
Service Rating:	I

16 Contacts



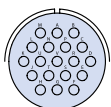
Arrangement:	20-16
Contact Size:	16
Service Rating:	II

18 Contacts



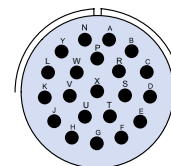
Arrangement:	14-18
Contact Size:	20
Service Rating:	I

19 Contacts



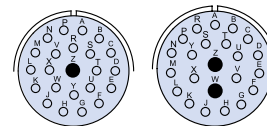
Arrangement:	14-19
Contact Size:	20
Service Rating:	I

21 Contacts



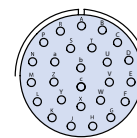
Arrangement:	22-21*
Contact Size:	16
Service Rating:	II

23 Contacts



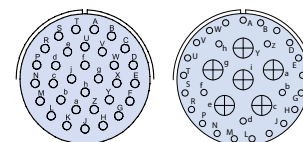
Arrangement:	16-23	16-99
Contact Size:	22-20, 1-16	21-20, 2-16
Service Rating:	I	I

26 Contacts



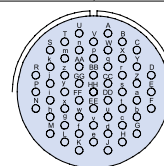
Arrangement:	16-26
Contact Size:	20
Service Rating:	I

32 Contacts



Arrangement:	18-32	22-95
Contact Size:	20	26-20, 6-12
Service Rating:	I	I

36 Contacts



Arrangement:	22-36
Contact Size:	20
Service Rating:	I

Contact
Legend



20



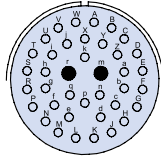
16

* Consult
Factory

Glenair IPT Series Available Insert Arrangements

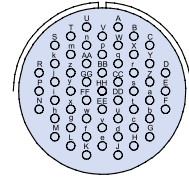


39 Contacts



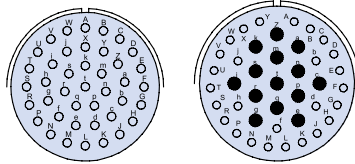
Arrangement:	20-39*
Contact Size:	37-20, 2-16
Service Rating:	I

55 Contacts



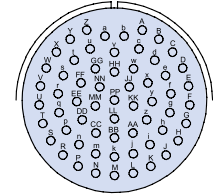
Arrangement:	22-55
Contact Size:	20
Service Rating:	I

41 Contacts



Arrangement:	20-41	22-41
Contact Size:	20	27-20, 14-16
Service Rating:	I	I

61 Contacts



Arrangement:	24-61
Contact Size:	20
Service Rating:	I

Contact
Legend



20

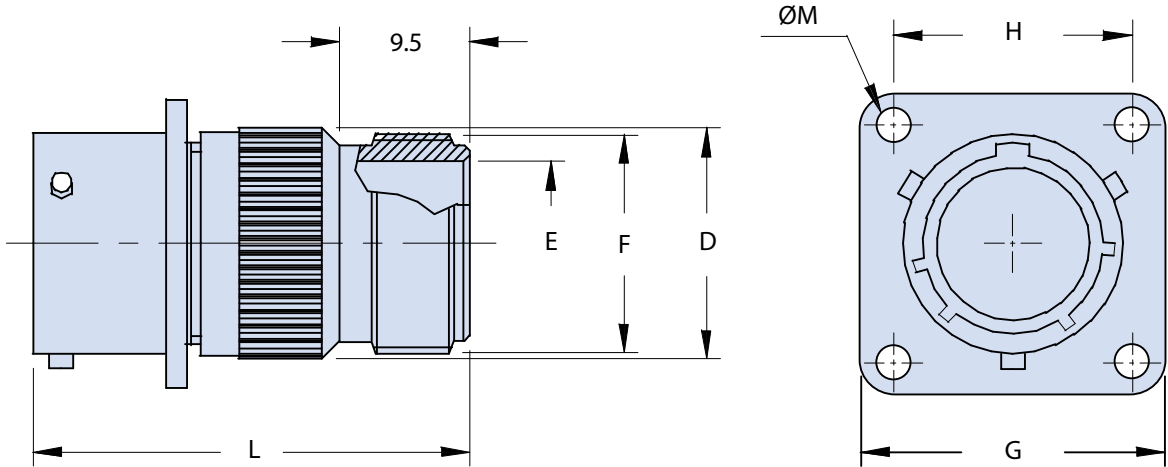
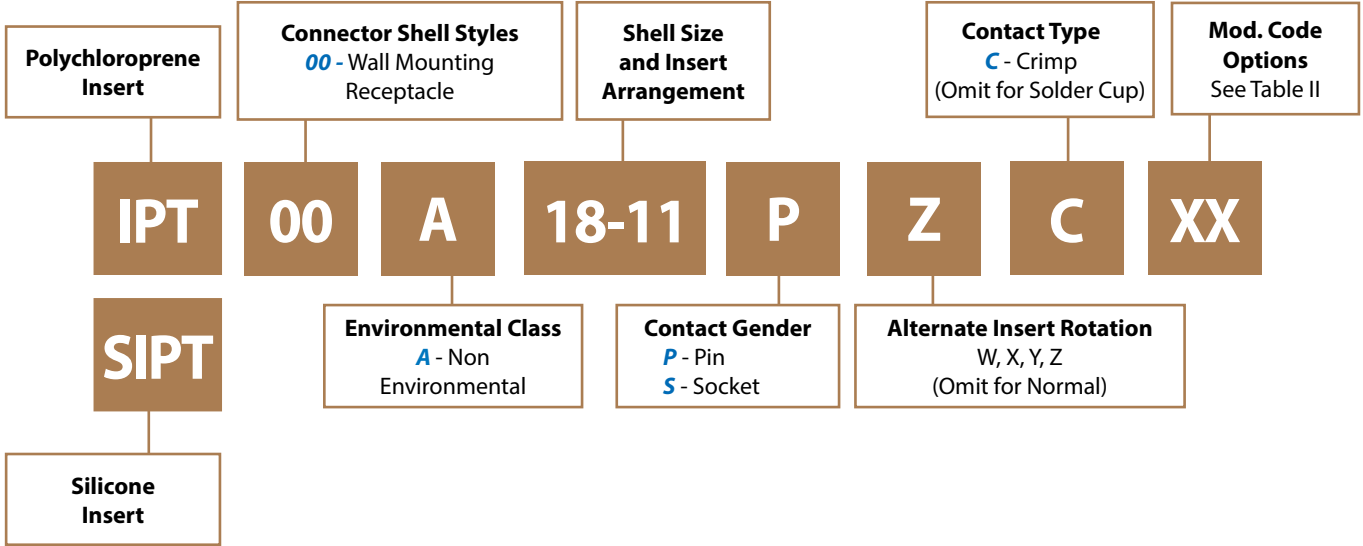


16

* Consult
Factory



IPT 00 A Wall Mounting Receptacle with Backshell



Application Notes

1. Wall mounting receptacle with backshell for the attachment of additional accessories; through mounting holes.
2. Connector Class "A" (non-environmental)--no grommet supplied.
3. Standard materials configuration consists of aluminum alloy with stainless steel coupling pins.
4. Standard contact material consists of copper alloy with gold plating over nickel.
5. A broad range of other front and rear connector accessories are available. See our website and/or contact factory for complete information.
6. Standard insert is high insulation synthetic rubber.

IPT 00 A
Wall Mounting Receptacle
with Backshell



TABLE I: DIMENSIONS

Shell size	D Max.	E min.	F Thread in inches	G ±0.4	H ±0.1	ØM +0.1 0	L Max.
8	15.00	7.55	.5000 - 28 UNEF	20.6	15.10	3.04	45.9
10	18.20	10.70	.6250 - 24 UNEF	23.8	18.25	3.04	45.9
12	21.20	13.85	.7500 - 20 UNEF	26.2	20.60	3.04	45.9
14	24.60	16.85	.8750 - 20 UNEF	28.6	23.00	3.04	45.9
16	27.60	20.00	1.0000 - 20 UNEF	31.0	24.60	3.04	45.9
18	30.90	22.30	1.1875 - 18 UNEF	33.3	27.00	3.04	45.9
20	33.80	25.75	1.1875 - 18 UNEF	36.5	29.40	3.04	50.0
22	37.10	28.80	1.4375 - 18 UNEF	39.7	31.75	3.04	50.0
24	40.25	32.00	1.4375 - 18 UNEF	42.8	34.92	3.73	50.0

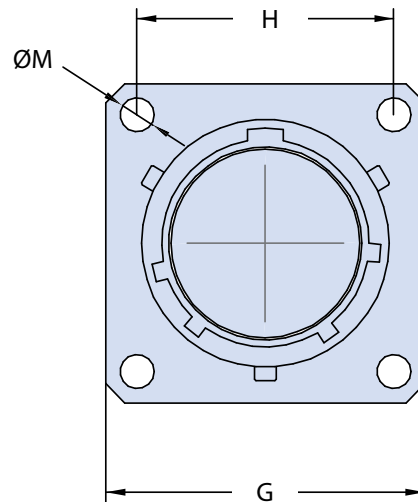
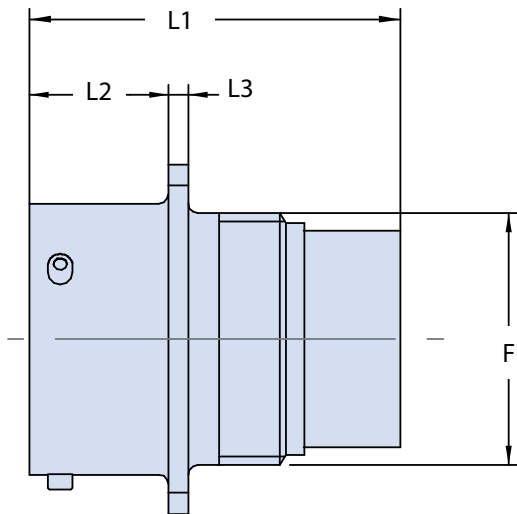
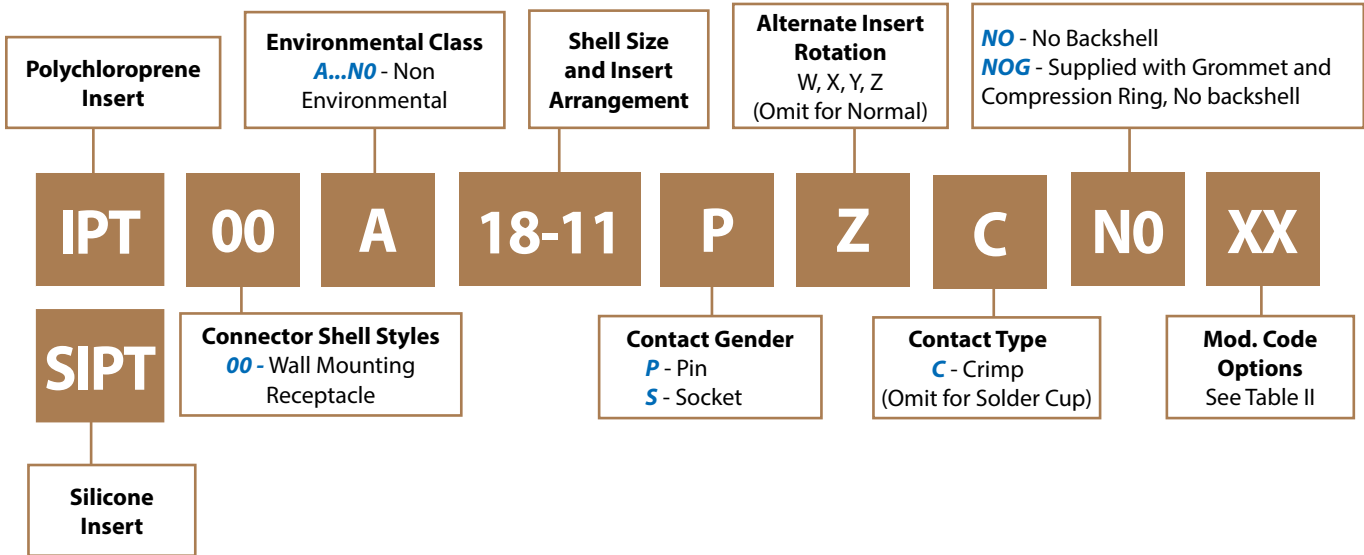
TABLE II: MODIFICATION CODES

CONTACT OPTIONS	
Sym	Description
B0	Connector Without Contacts (Only for crimp version)
FINISH OPTIONS	
Sym	Description and RoHS compliant
F6	Black Electrodeposited Paint
F7	Black Zinc Nickel
F11	Electroless Nickel
MB	Marine Bronze
Omit for standard version (Cadmium Olive Drab Finish)	





IPT 00 A...N0 Wall Mounting Receptacle without Backshell



Application Notes

1. Wall mounting receptacle without backshell with rear thread for the attachment of additional accessories; through mounting holes.
2. Connector Class "A..N0" (non-environmental)—no grommet supplied.
3. Connector Class "A..NOG" (non-environmental)—supplied with grommet and compression ring, no backshell.
4. Standard materials configuration consists of aluminum alloy with stainless steel coupling pins.
5. Standard contact material consists of copper alloy with gold plating over nickel.
6. A broad range of other front and rear connector accessories are available. See our website and/or contact factory for complete information.
7. Standard insert is high insulation synthetic rubber.

IPT 00 A...N0
Wall Mounting Receptacle
without Backshell



TABLE I: DIMENSIONS

Shell size	F Thread in inches	G ±0.4	H ±0.1	ØM +0.1 0	L1 Max.	L2 +0.8 -0	L3 Max.
8	.4375 - 28 UNEF	20.6	15.10	3.04	21.7	10.94	2.0
10	.5625 - 24 UNEF	23.8	18.25	3.04	21.4	10.94	2.0
12	.6875 - 24 UNEF	26.2	20.60	3.04	21.7	10.94	2.0
14	.8125 - 20 UNEF	28.6	23.00	3.04	21.7	10.94	2.0
16	.9375 - 20 UNEF	31.0	24.60	3.04	21.4	10.94	2.0
18	1.0625 - 18 UNEF	33.3	27.00	3.04	21.4	10.94	2.0
20	1.1875 - 18 UNEF	36.5	29.40	3.04	27.0	14.12	2.8
22	1.3125 - 18 UNEF	39.7	31.75	3.04	27.0	14.12	2.8
24	1.4375 - 18 UNEF	42.8	34.92	3.73	29.0	14.96	2.8

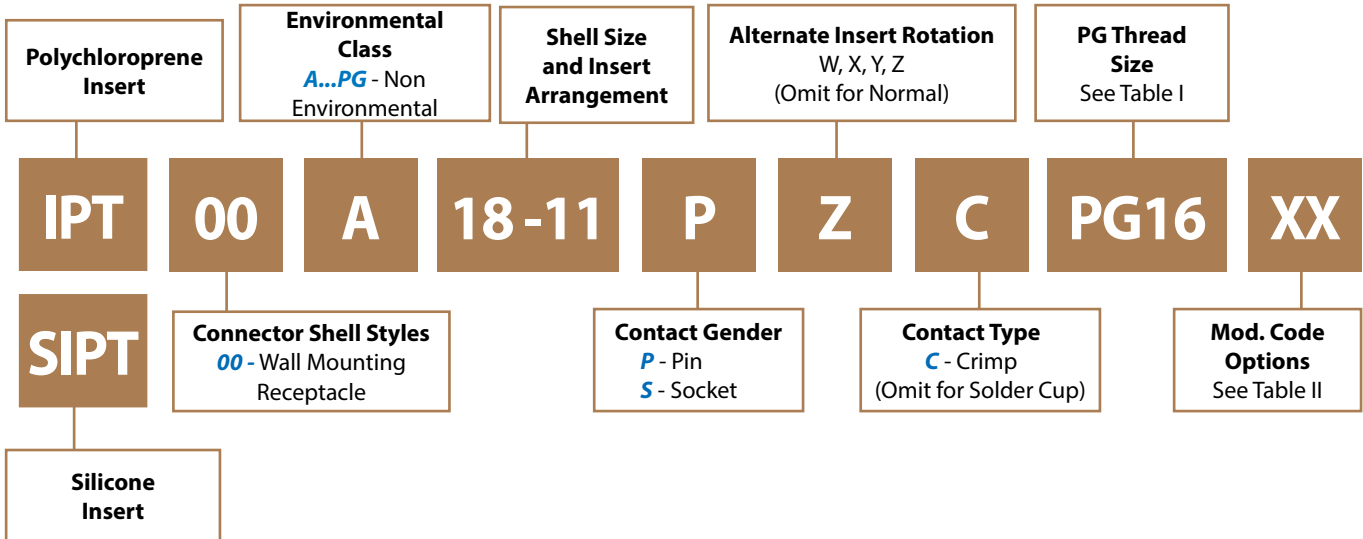
TABLE II: MODIFICATION CODES

CONTACT OPTIONS	
Sym	Description
B0	Connector Without Contacts (Only for crimp version)
FINISH OPTIONS	
Sym	Description and RoHS compliant
F6	Black Electrodeposited Paint
F7	Black Zinc Nickel
F11	Electroless Nickel
MB	Marine Bronze
Omit for standard version (Cadmium Olive Drab Finish)	

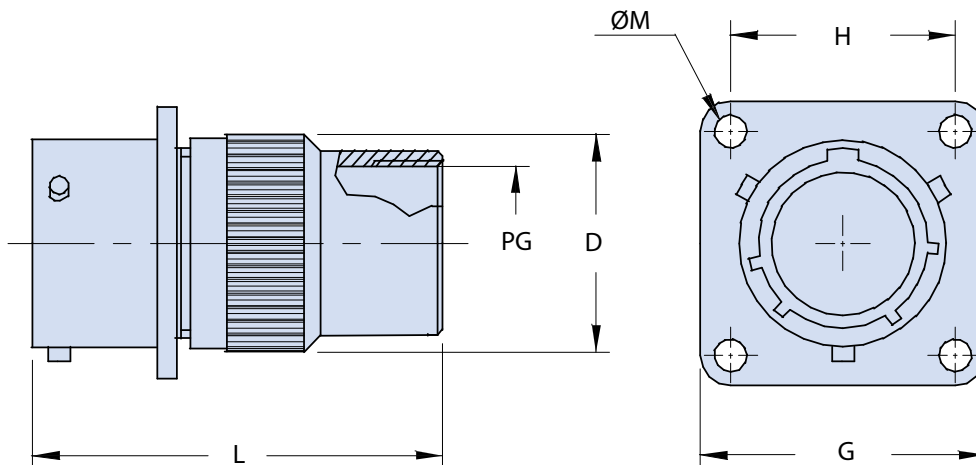




IPT 00 A...PG__ Wall Mounting Receptacle with PG Threaded Backshell



C



Application Notes

1. Wall mounting receptacle with PG threaded backshell. Other PG sizes and types available on request ; through mounting holes.
2. Connector Class "A" (non-environmental)—no grommet supplied.
3. Standard materials configuration consists of aluminum alloy with stainless steel coupling pins.
4. Standard contact material consists of copper alloy with gold plating over nickel.
5. A broad range of other front and rear connector accessories are available. See our website and/or contact factory for complete information.
6. Standard insert is high insulation synthetic rubber.

IPT 00 A...PG _ _
Wall Mounting Receptacle
with PG Threaded Backshell



TABLE I: DIMENSIONS

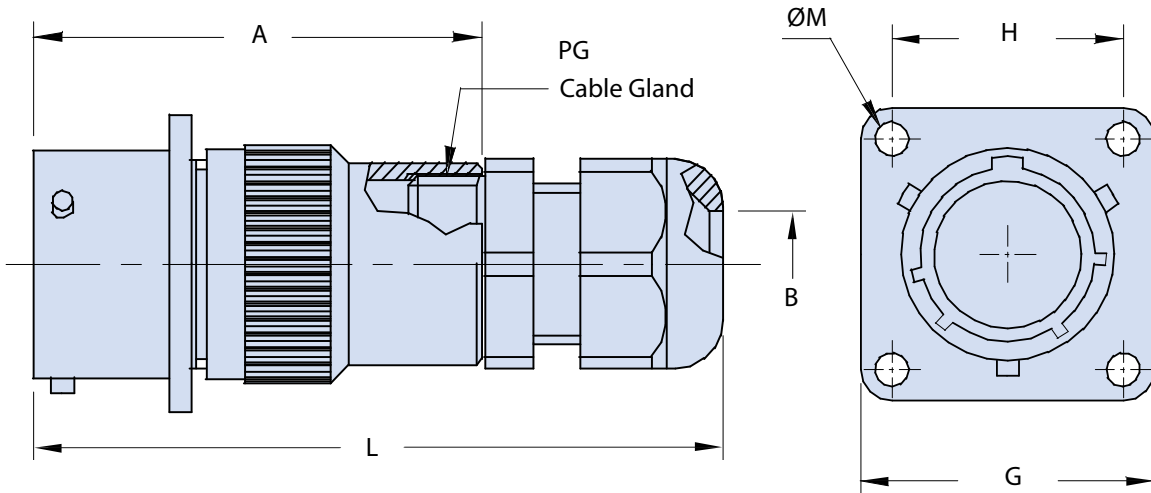
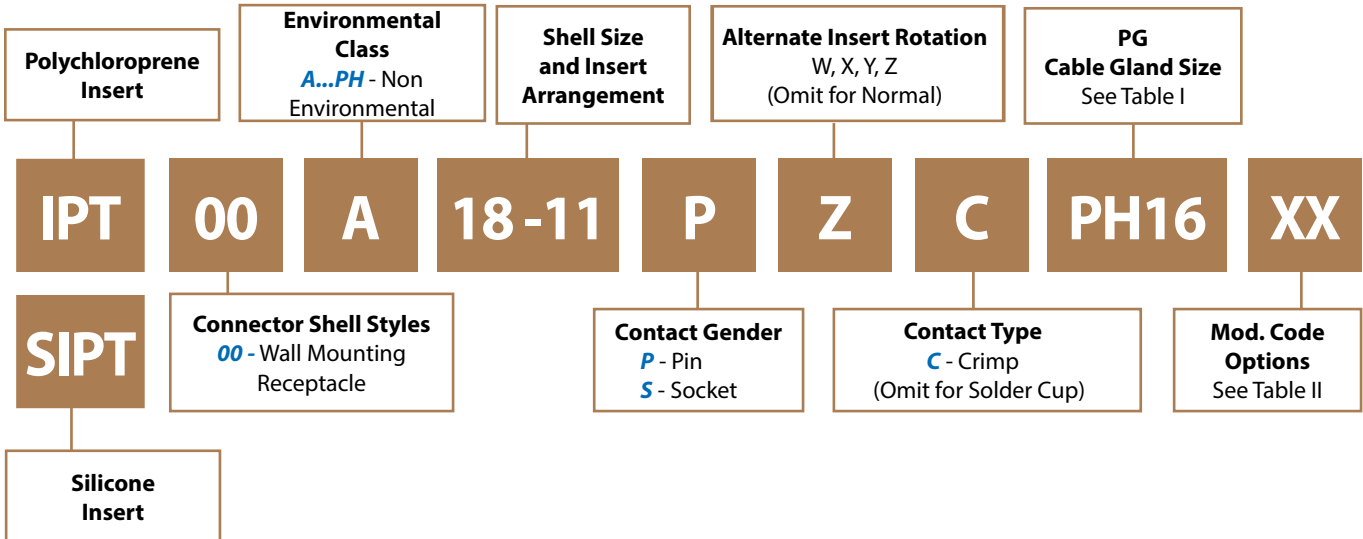
Shell size	D Max	L Max	PG Thread	G ±0.4	H ±0.1	ØM +0.1 0
8	18.0	41.0	7 / 9	20.6	15.10	3.04
10	18.0	41.0	9	23.8	18.25	3.04
12	23.5	51.0	11	26.2	20.60	3.04
14	24.5	51.0	11 / 13.5 / 16	28.6	23.00	3.04
16	28.0	56.0	11 / 13.5 / 16	31.0	24.60	3.04
18	30.5	56.0	13.5 / 16	33.3	27.00	3.04
20	33.5	58.5	13.5 / 16	36.5	29.40	3.04
22	37.0	63.5	13.5 / 16 / 21	39.7	31.75	3.04
24	40.0	66.0	13.5 / 16 / 21	42.8	34.92	3.73

TABLE II: MODIFICATION CODES

CONTACT OPTIONS	
Sym	Description
B0	Connector Without Contacts (Only for crimp version)
FINISH OPTIONS	
Sym	Description and RoHS compliant
F6	Black Electrodeposited Paint
F7	Black Zinc Nickel
F11	Electroless Nickel
MB	Marine Bronze
Omit for standard version (Cadmium Olive Drab Finish)	



IPT 00 A...PH__ Wall Mounting Receptacle with Backshell and PG Cable Gland



- Application Notes**
1. Wall mounting receptacle with backshell and plastic PG cable gland. Other PG sizes and types available upon request; through mounting holes.
 2. Connector Class "A" (non-environmental)—no grommet supplied.
 3. Standard materials configuration consists of aluminum alloy with stainless steel coupling pins.
 4. Standard contact material consists of copper alloy with gold plating over nickel.
 5. A broad range of other front and rear connector accessories are available. See our website and/or contact factory for complete information.
 6. Standard insert is high insulation synthetic rubber.

IPT 00 A...PH__
Wall Mounting Receptacle
with Backshell and PG Cable Gland

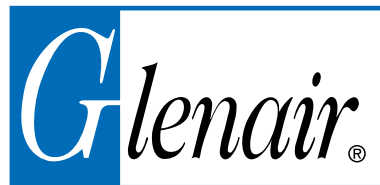


TABLE I: DIMENSIONS

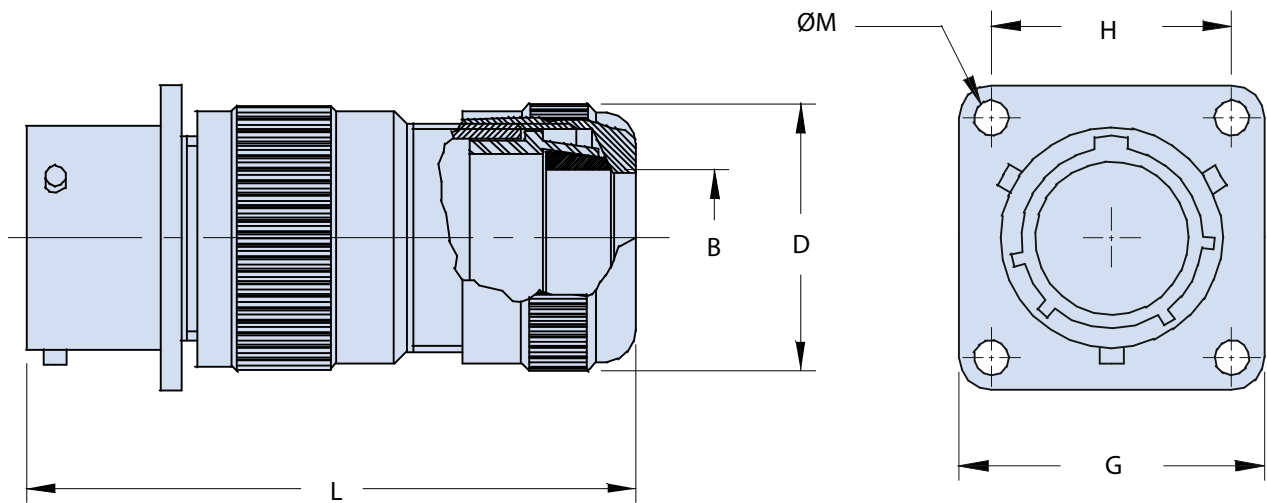
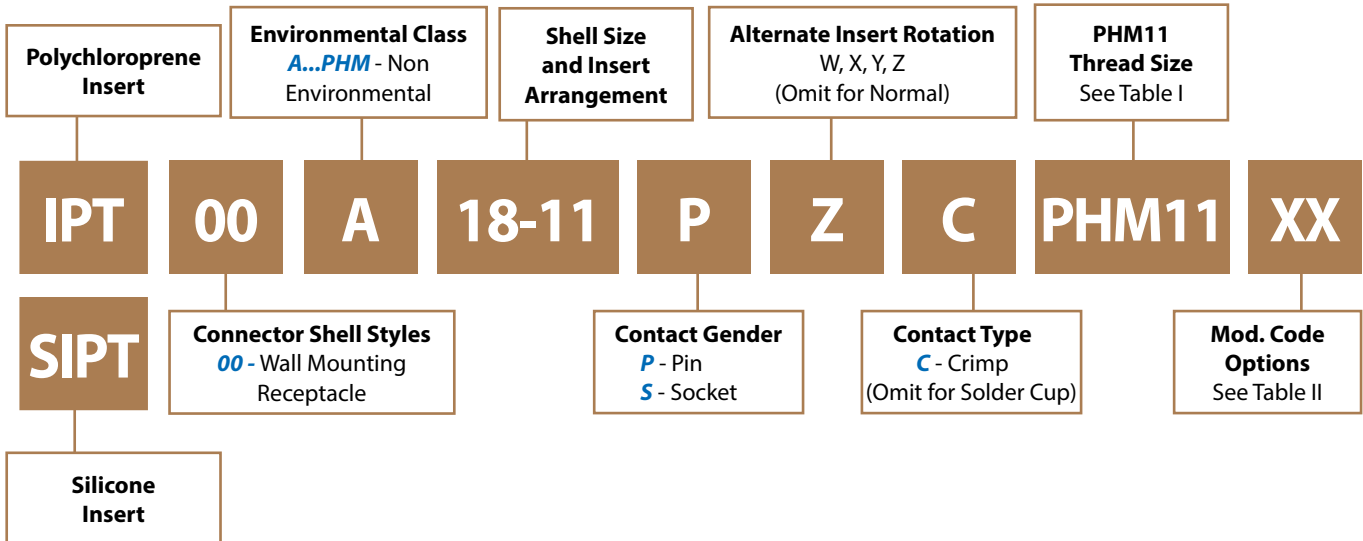
Shell size	A Max	B min. - max.	PG Cable Gland Size	L Max.	G ±0.4	H ±0.1	ØM +0.1 0
8	41.0	3 - 6.5 / 4 - 8	7 / 9	65.00	20.6	15.10	3.04
10	41.0	4 - 8	9	65.00	23.8	18.25	3.04
12	51.0	5 - 10	11	77.50	26.2	20.60	3.04
14	51.0	5 - 10 / 6 - 12 / 9 - 14	11 / 13.5 / 16	81.00	28.6	23.00	3.04
16	56.0	5 - 10 / 6 - 12 / 9 - 14	11 / 13.5 / 16	86.00	31.0	24.60	3.04
18	56.0	6 - 12 / 9 - 14	13.5 / 16	86.00	33.3	27.00	3.04
20	58.5	6 - 12 / 9 - 14	13.5 / 16	88.50	36.5	29.40	3.04
22	63.5	6 - 12 / 9 - 14 / 13 - 18	13.5 / 16 / 21	99.50	39.7	31.75	3.04
24	66.0	6 - 12 / 9 - 14 / 13 - 18	13.5 / 16 / 21	102.00	42.8	34.92	3.73

TABLE II: MODIFICATION CODES

CONTACT OPTIONS	
Sym	Description
B0	Connector Without Contacts (Only for crimp version)
FINISH OPTIONS	
Sym	Description and RoHS compliant
F6	Black Electrodeposited Paint
F7	Black Zinc Nickel
F11	Electroless Nickel
MB	Marine Bronze
Omit for standard version (Cadmium Olive Drab Finish)	



IPT 00 A...PHM__
Wall Mounting Receptacle
with PHM Backshell
and Sleeves to Accommodate Various Cable Sizes



- Application Notes**
1. Wall mounting receptacle with backshell and PHM cable clamp. Rubber sleeves included to allow use of different cable diameters. Through mounting holes.
 2. Connector Class "A" (non-environmental)—no grommet supplied.
 3. Standard materials configuration consists of aluminum alloy with stainless steel coupling pins.
 4. Standard contact material consists of copper alloy with gold plating over nickel.
 5. A broad range of other front and rear connector accessories are available. See our website and/or contact factory for complete information.
 6. Standard insert is high insulation synthetic rubber.

IPT 00 A...PHM__
Wall Mounting Receptacle
with PHM Backshell
and Sleeves to Accommodate Various Cable Sizes



TABLE I: DIMENSIONS

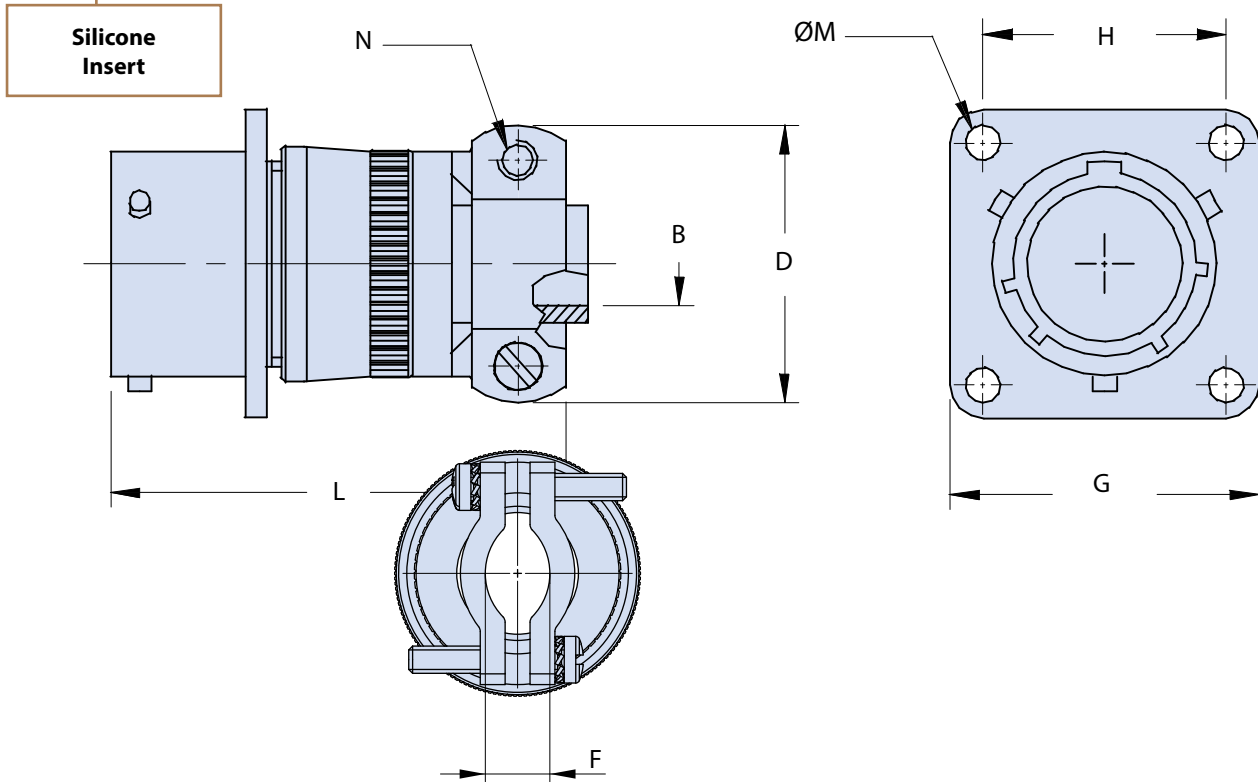
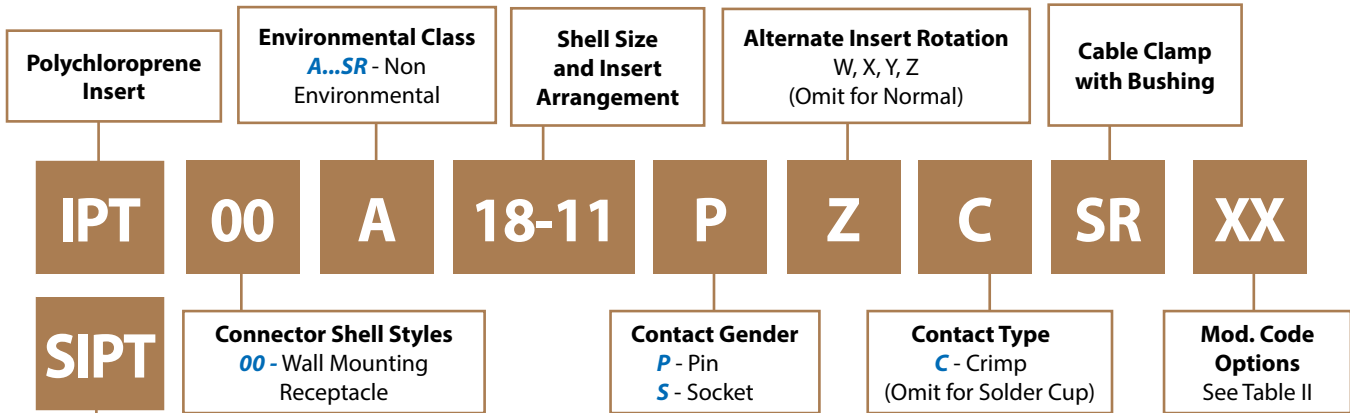
Shell size	P.N. PHM	B min. - max.	D Max.	G ±0.4	H ±0.1	ØM +0.1 0	L Max.
8	7	2 - 7	15.0	20.6	15.10	3.04	55.0
10	9	2 - 9	21.0	23.8	18.25	3.04	55.0
12	11	2 - 11	24.0	26.2	20.60	3.04	65.0
14	11	2 - 11	24.0	28.6	23.00	3.04	65.0
16	11	2 - 11	24.0	31.0	24.60	3.04	65.0
18	11 / 18	2 - 11 / 9 - 16.5	42.0	33.3	27.00	3.04	80.0
20	18	9 - 16.5	42.0	36.5	29.40	3.04	81.5
22	18	9 - 16.5	42.0	39.7	31.75	3.04	81.5
24	18 / 22 / 24	9 - 16.5 / 15 - 20 / 19 - 24	42.0	42.8	34.92	3.73	82.0

TABLE II: MODIFICATION CODES

CONTACT OPTIONS	
Sym	Description
B0	Connector Without Contacts (Only for crimp version)
FINISH OPTIONS	
Sym	Description and RoHS compliant
F6	Black Electrodeposited Paint
F7	Black Zinc Nickel
F11	Electroless Nickel
MB	Marine Bronze
Omit for standard version (Cadmium Olive Drab Finish)	



IPT 00 A...SR Wall Mounting Receptacle with Backshell, Bushing and Cable Clamp



Application Notes

1. Wall mounting receptacle with backshell, bushing and cable clamp; through mounting holes.
2. Connector Class "A" (non-environmental)—no grommet supplied.
3. Standard materials configuration consists of aluminum alloy with stainless steel coupling pins.
4. Standard contact material consists of copper alloy with gold plating over nickel.
5. A broad range of other front and rear connector accessories are available. See our website and/or contact factory for complete information.
6. Standard insert is high insulation synthetic rubber.

IPT 00 A...SR
Wall Mounting Receptacle
with Backshell, Bushing and Cable Clamp



TABLE I: DIMENSIONS

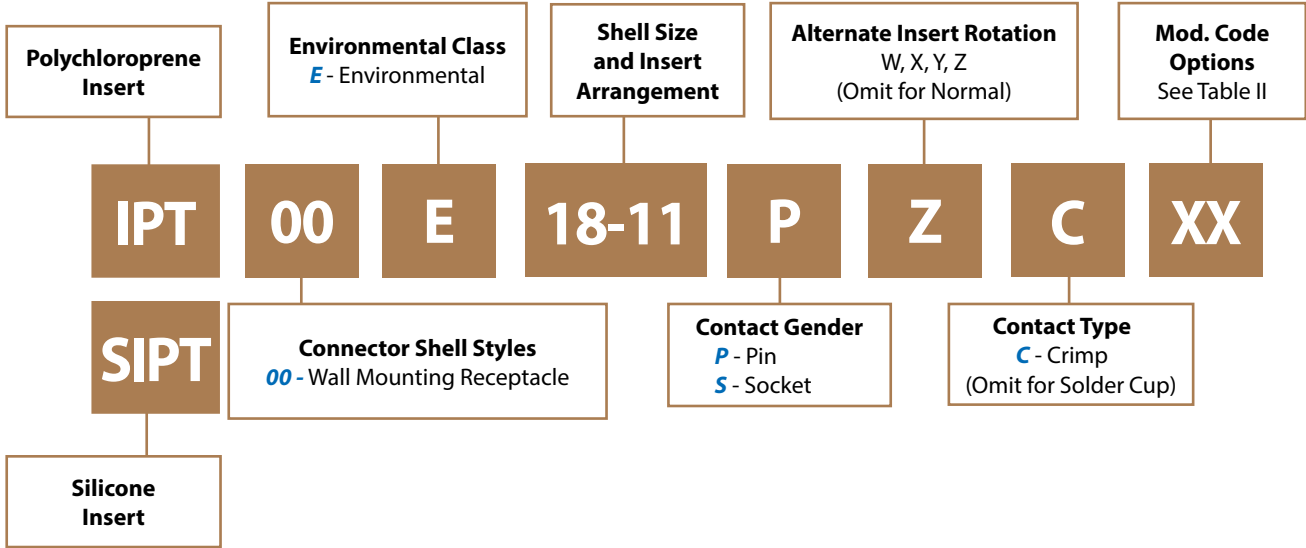
Shell size	B ±0.25	F (*) ±0.75	D ±0.2	G ±0.4	H ±0.1	ØM +0.1 0	L Max.	N Thread
8	3.2	4	19.10	20.6	15.10	3.04	48.5	6 - 32
10	4.8	4	20.70	23.8	18.25	3.04	48.5	6 - 32
12	7.9	6,4	23.90	26.2	20.60	3.04	48.5	6 - 32
14	9.5	7,5	27.00	28.6	23.00	3.04	48.5	6 - 32
16	12.7	8,3	28.60	31.0	24.60	3.04	52.0	6 - 32
18	15.9	11,3	35.00	33.3	27.00	3.04	52.0	8 - 32
20	15.9	12,7	35.00	36.5	29.40	3.04	60.5	8 - 32
22	19.0	16,3	39.75	39.7	31.75	3.04	60.5	8 - 32
24	20.3	16,3	42.10	42.8	34.92	3.73	63.0	8 - 32

(*) Cable clamp cleats fully closed.

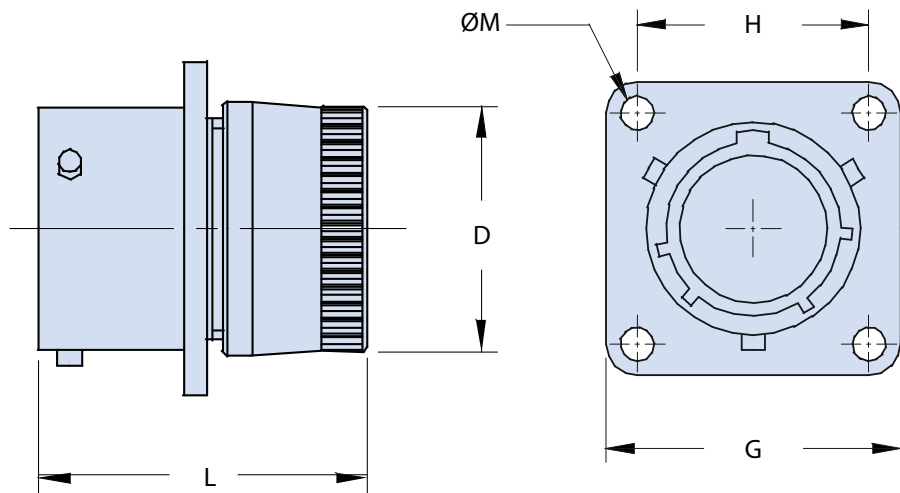
TABLE II: MODIFICATION CODES

CONTACT OPTIONS	
Sym	Description
B0	Connector Without Contacts (Only for crimp version)
FINISH OPTIONS	
Sym	Description and RoHS compliant
F6	Black Electrodeposited Paint
F7	Black Zinc Nickel
F11	Electroless Nickel
MB	Marine Bronze
Omit for standard version (Cadmium Olive Drab Finish)	

IPT 00 E Wall Mounting Receptacle with General Duty Backshell



C



Application Notes

1. Wall mounting receptacle includes sealing grommet and backshell for use with individual wires. Through mounting holes.
2. Connector Class "E" (environmental)—Wire sealing grommet supplied.
3. Standard materials configuration consists of aluminum alloy with stainless steel coupling pins.
4. Standard contact material consists of copper alloy with gold plating over nickel.
5. A broad range of other front and rear connector accessories are available. See our website and/or contact factory for complete information.
6. Standard insert is high insulation synthetic rubber.

IPT 00 E
Wall Mounting Receptacle
with General Duty Backshell



TABLE I: DIMENSIONS

Shell size	D Max.	G ±0.4	H ±0.1	ØM +0.1 0	L Max.
8	14.20	20.6	15.10	3.04	32.15
10	17.40	23.8	18.25	3.04	32.15
12	20.65	26.2	20.60	3.04	32.15
14	23.60	28.6	23.00	3.04	32.15
16	26.85	31.0	24.60	3.04	32.15
18	29.85	33.3	27.00	3.04	32.15
20	33.00	36.5	29.40	3.04	38.50
22	36.30	39.7	31.75	3.04	38.50
24	39.50	42.8	34.92	3.73	40.10

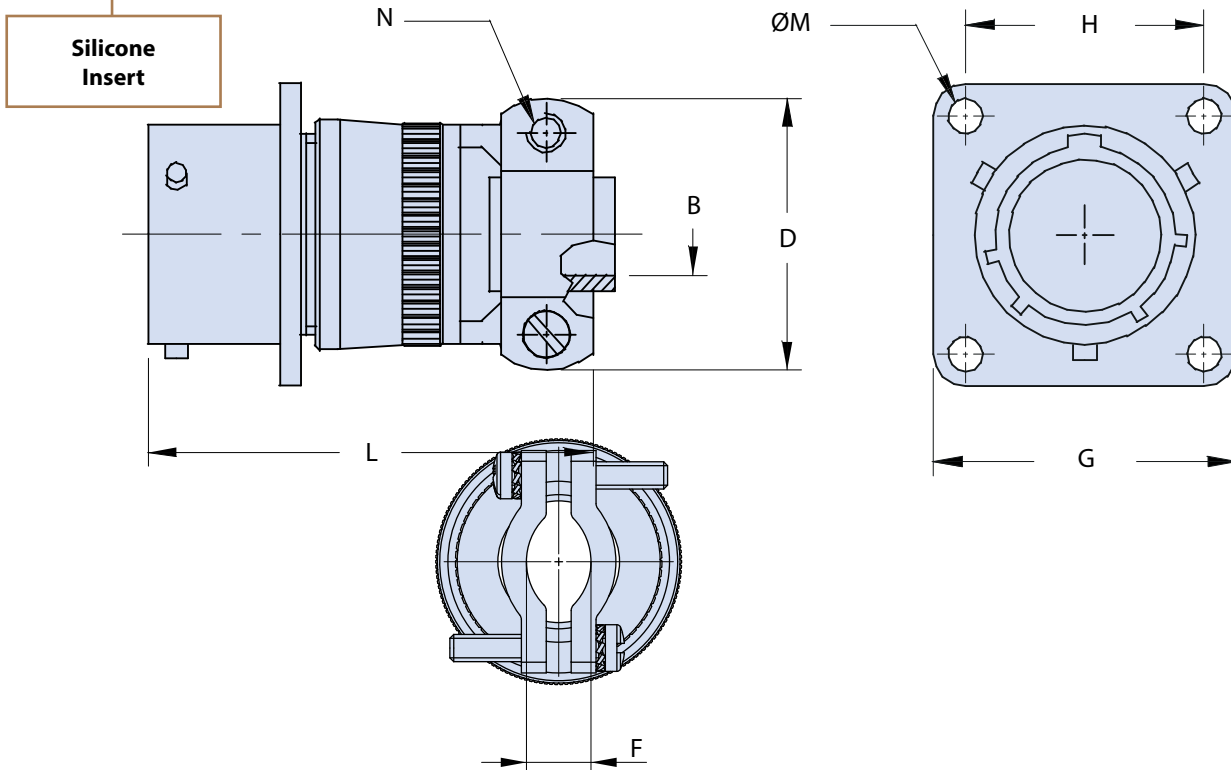
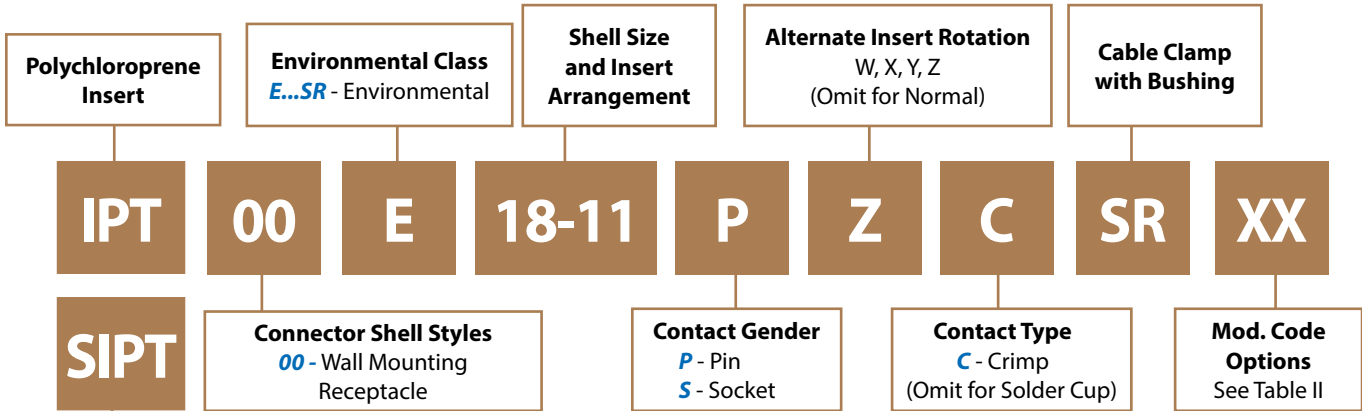
TABLE II: MODIFICATION CODES

CONTACT OPTIONS	
Sym	Description
B0	Connector Without Contacts (Only for crimp version)
FINISH OPTIONS	
Sym	Description and RoHS compliant
F6	Black Electrodeposited Paint
F7	Black Zinc Nickel
F11	Electroless Nickel
MB	Marine Bronze
Omit for standard version (Cadmium Olive Drab Finish)	



IPT 00 E...SR

Wall Mounting Receptacle with Backshell, Cable Clamp and Bushing



- ### Application Notes
1. Wall mounting receptacle with cable clamp and bushing for cable protection; through mounting holes.
 2. Connector Class "E" (environmental)—Wire sealing grommet supplied.
 3. Standard materials configuration consists of aluminum alloy with stainless steel coupling pins.
 4. Standard contact material consists of copper alloy with gold plating over nickel.
 5. A broad range of other front and rear connector accessories are available. See our website and/or contact factory for complete information.
 6. Standard insert is high insulation synthetic rubber.

IPT 00 E...SR
Wall Mounting Receptacle
with Backshell, Cable Clamp and Bushing



TABLE I: DIMENSIONS

Shell size	B ±0.25	F (*) ±0.75	D ±0.2	G ±0.4	H ±0.1	ØM +0.1 0	L Max.	N Thread
8	3.2	4	19.10	20.6	15.10	3.04	48.5	6 - 32
10	4.8	4	20.70	23.8	18.25	3.04	48.5	6 - 32
12	7.9	6,4	23.90	26.2	20.60	3.04	48.5	6 - 32
14	9.5	7,5	27.00	28.6	23.00	3.04	48.5	6 - 32
16	12.7	8,3	28.60	31.0	24.60	3.04	52.0	6 - 32
18	15.9	11,3	35.00	33.3	27.00	3.04	52.0	8 - 32
20	15.9	12,7	35.00	36.5	29.40	3.04	60.5	8 - 32
22	19.0	16,3	39.75	39.7	31.75	3.04	60.5	8 - 32
24	20.3	16,3	42.10	42.8	34.92	3.73	63.0	8 - 32

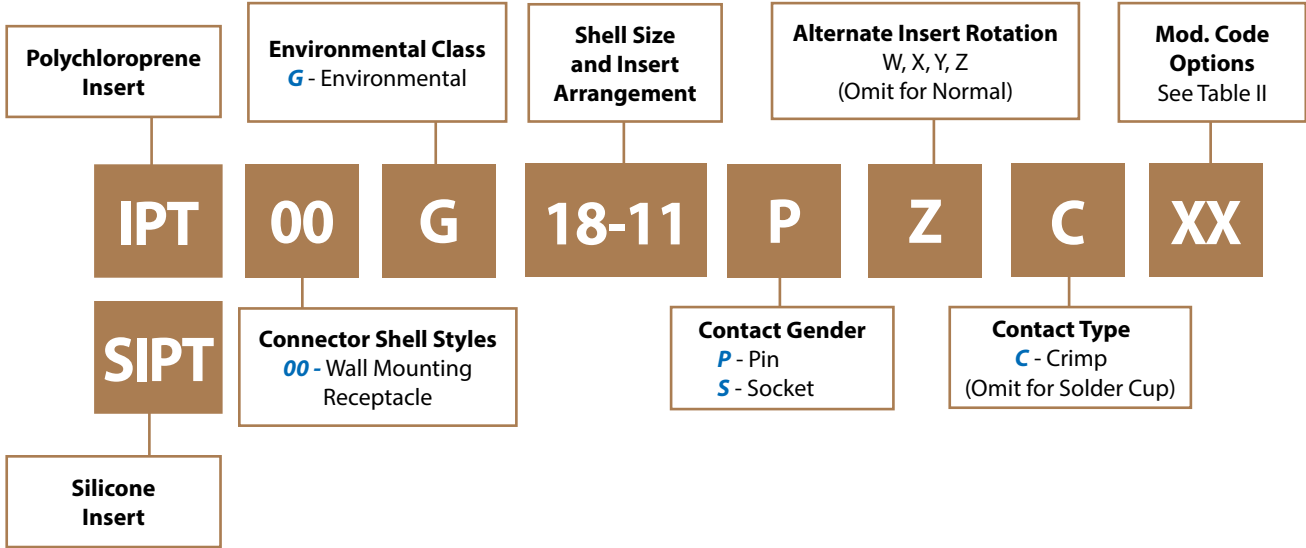
(*) Cable clamp cleats fully closed.

TABLE II: MODIFICATION CODES

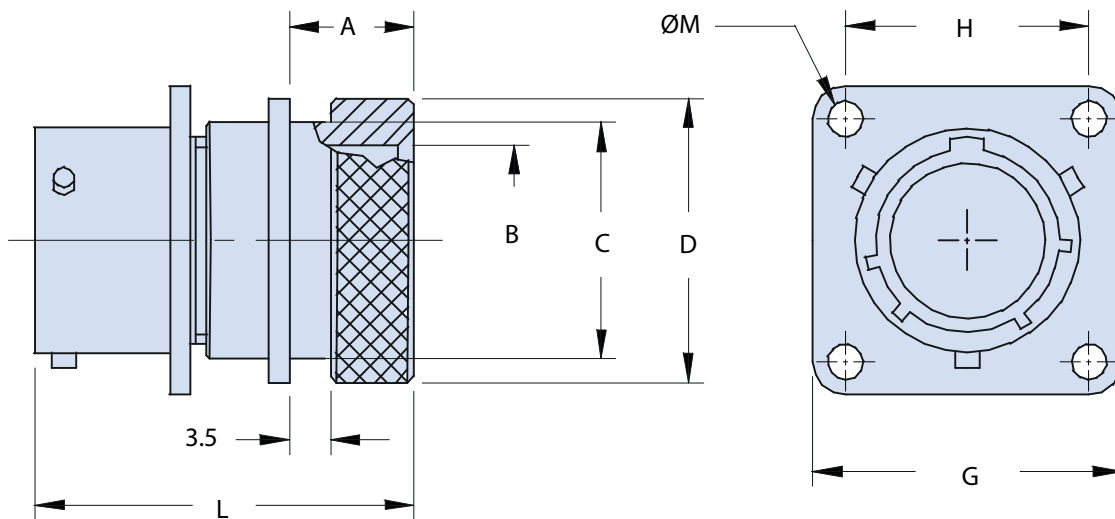
CONTACT OPTIONS	
Sym	Description
B0	Connector Without Contacts (Only for crimp version)
FINISH OPTIONS	
Sym	Description and RoHS compliant
F6	Black Electrodeposited Paint
F7	Black Zinc Nickel
F11	Electroless Nickel
MB	Marine Bronze
Omit for standard version (Cadmium Olive Drab Finish)	



IPT 00 G Wall Mounting Receptacle with Shrink Boot Backshell



C



Application Notes

1. Wall mounting receptacle with backshell for heat shrink boot; through mounting holes.
2. Connector Class "G" (environmental)—Wire sealing grommet supplied.
3. Standard materials configuration consists of aluminum alloy with stainless steel coupling pins.
4. Standard contact material consists of copper alloy with gold plating over nickel.
5. A broad range of other front and rear connector accessories are available. See our website and/or contact factory for complete information.
6. Standard insert is high insulation synthetic rubber.

IPT 00 G
Wall Mounting Receptacle
with Shrink Boot Backshell



TABLE I: DIMENSIONS

Shell size	A ±0.1	B +0.1 -0	C +0 -0.1	D +0 -0.3	G ±0.4	H ±0.1	ØM +0.1 0	L Max.
8	12.2	8.20	13.0	15.5	20.6	15.10	3.04	43.5
10	12.2	11.40	15.8	18.3	23.8	18.25	3.04	42.0
12	12.2	14.55	21.0	23.6	26.2	20.60	3.04	42.0
14	12.2	17.50	21.8	24.4	28.6	23.00	3.04	42.0
16	14.5	20.60	25.9	29.7	31.0	24.60	3.04	44.0
18	14.5	23.15	28.2	31.9	33.3	27.00	3.04	44.5
20	15.8	26.50	32.2	36.0	36.5	29.40	3.04	48.5
22	15.8	29.60	34.5	38.4	39.7	31.75	3.04	48.5
24	14.9	32.80	37.6	41.5	42.8	34.92	3.73	48.5

TABLE II: MODIFICATION CODES

CONTACT OPTIONS	
Sym	Description
B0	Connector Without Contacts (Only for crimp version)
FINISH OPTIONS	
Sym	Description and RoHS compliant
F6	Black Electrodeposited Paint
F7	Black Zinc Nickel
F11	Electroless Nickel
MB	Marine Bronze
Omit for standard version (Cadmium Olive Drab Finish)	

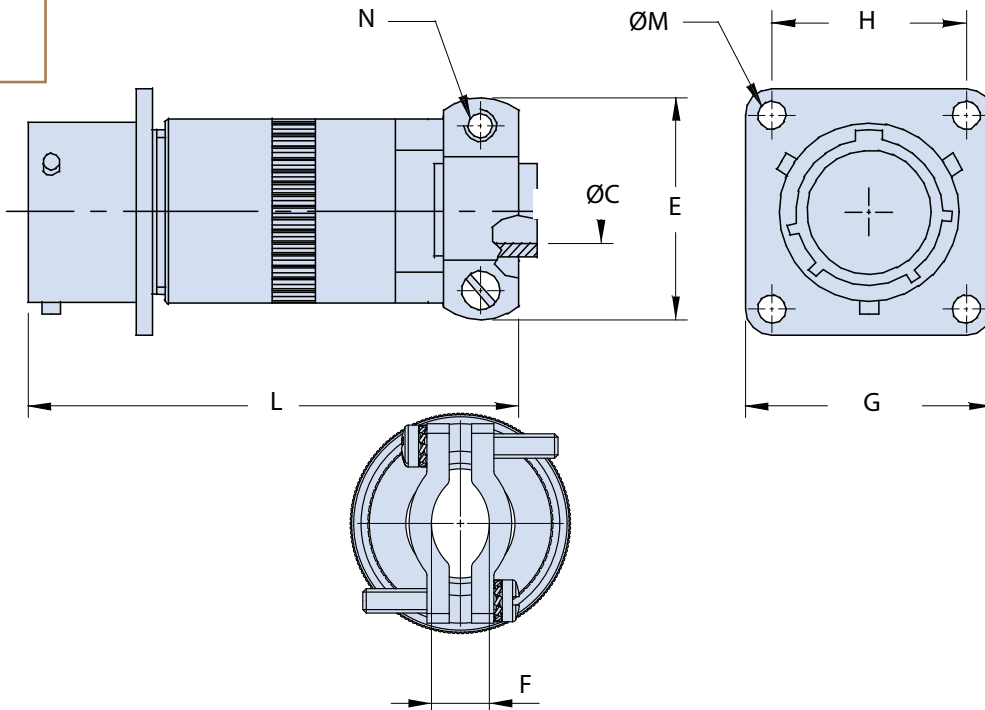


IPT 00 J Wall Mounting Receptacle with Long Backshell and Cable Clamp

Polychloroprene Insert	Environmental Class J- Environmental with Long Backshell and Cable Clamp	Shell Size and Insert Arrangement	Alternate Insert Rotation W, X, Y, Z (Omit for Normal)	Mod. Code Options See Table II			
IPT	00	J	18-11	P	Z	C	XX
SIPT	Connector Shell Styles 00 - Wall Mounting Receptacle	Contact Gender P - Pin S - Socket	Contact Type C - Crimp (Omit for Solder Cup)				

Silicone Insert

C



Application Notes

1. Wall mounting receptacle with backshell incorporated metal sleeve and cable clamp; through mounting holes.
2. Connector/Backshell Class "J" (environmental)—No grommet supplied.
3. Standard materials configuration consists of aluminum alloy with stainless steel coupling pins.
4. Standard contact material consists of copper alloy with gold plating over nickel.
5. A broad range of other front and rear connector accessories are available. See our website and/or contact factory for complete information.
6. Standard insert is high insulation synthetic rubber.

IPT 00 J
Wall Mounting Receptacle
with Long Backshell and Cable Clamp



TABLE I: DIMENSIONS

Shell size	ØC		F (**) ±0.75	E ±0.2	G ±0.4	H ±0.1	ØM +0.1 0	L Max.	N Thread
	open	closed							
8	5,85	4,5	4	19.10	20.6	15.10	3.04	56	6 - 32
10	7,9	5,6	4	20.70	23.8	18.25	3.04	56	6 - 32
12	11,25	8,6	6,4	23.90	26.2	20.60	3.04	59	6 - 32
14	13,7	10,2	7,5	27.00	28.6	23.00	3.04	66	6 - 32
16	15	12,5	8,3	28.60	31.0	24.60	3.04	72	6 - 32
18	16,5	13,5	11,3	35.00	33.3	27.00	3.04	79	8 - 32
20	18,5	15	12,7	35.00	36.5	29.40	3.04	90	8 - 32
22	21,5	18	16,3	39.75	39.7	31.75	3.04	95	8 - 32
24	22.7 (*)	18.8 (*)	16,3	42.10	42.8	34.92	3.73	102	8 - 32

(*) Consult the factory.

(**) Cable clamp cleats fully closed.

TABLE II: MODIFICATION CODES

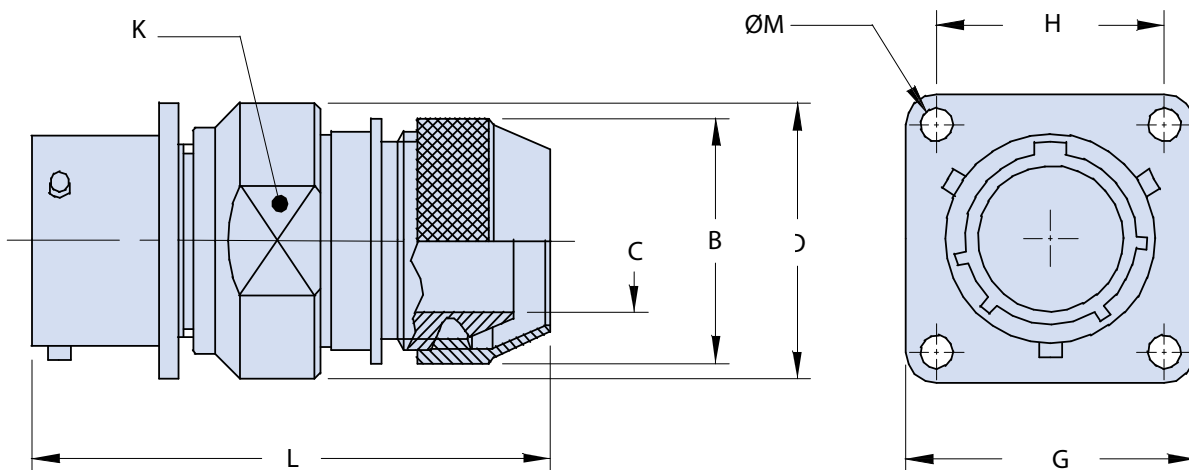
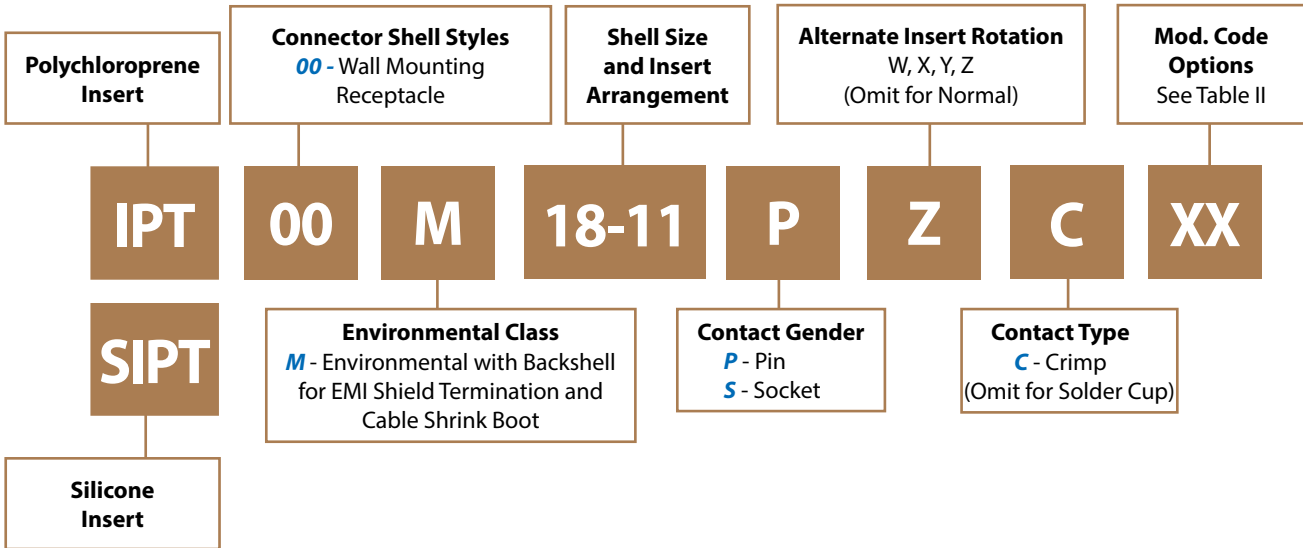
CONTACT OPTIONS	
Sym	Description
B0	Connector Without Contacts (Only for crimp version)
FINISH OPTIONS	
Sym	Description and RoHS compliant
F6	Black Electrodeposited Paint
F7	Black Zinc Nickel
F11	Electroless Nickel
MB	Marine Bronze
Omit for standard version (Cadmium Olive Drab Finish)	



IPT 00 M

Wall Mounting Receptacle with Backshell

for EMI Shield Termination and Shrink Boot



Application Notes

1. Wall mounting receptacle with backshell for terminating shielded cable, suitable for heat shrink boots; through mounting holes.
2. Connector/Backshell Class "M" (environmental)—Wire sealing grommet supplied.
3. Standard materials configuration consists of aluminum alloy with stainless steel coupling pins.
4. Standard contact material consists of copper alloy with gold plating over nickel.
5. A broad range of other front and rear connector accessories are available. See our website and/or contact factory for complete information.
6. Standard insert is high insulation synthetic rubber.

IPT 00 M
Wall Mounting Receptacle
with Backshell
for EMI Shield Termination and Shrink Boot



TABLE I: DIMENSIONS

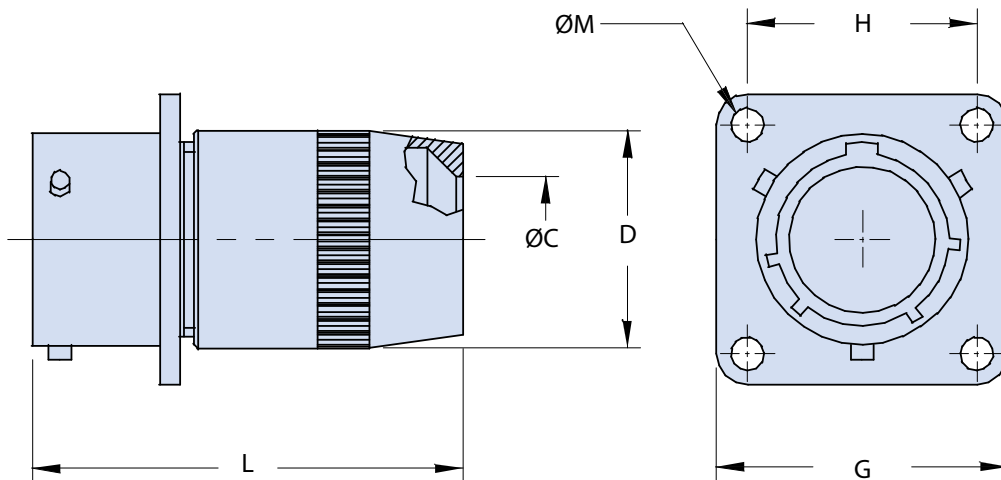
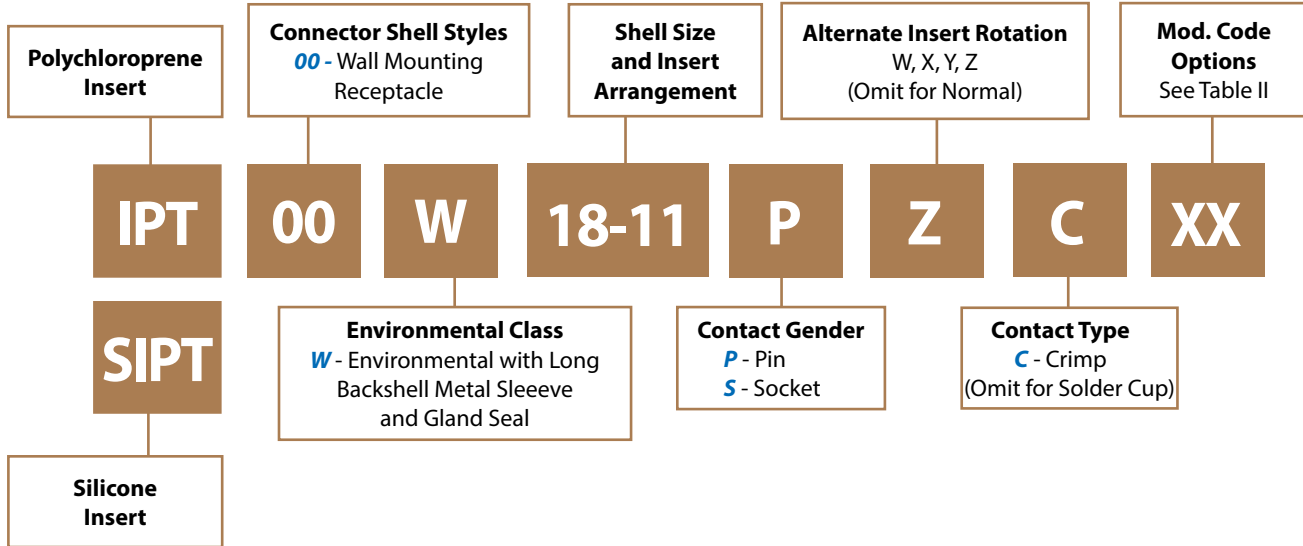
Shell size	D +0 -1	B +0.5 0	C min.	G ±0.4	H ±0.1	ØM +0.1 0	L Max.	K Key
8	14.0	16	6.6	20.6	15.10	3.04	52.0	18
10	16.0	18	9.2	23.8	18.25	3.04	52.0	21
12	20.0	22	12.2	26.2	20.60	3.04	52.0	24
14	23.0	25	15.2	28.6	23.00	3.04	53.0	28
16	26.0	28	18.3	31.0	24.60	3.04	53.0	31
18	28.5	32	20.0	33.3	27.00	3.04	53.0	34
20	30.5	34	23.0	36.5	29.40	3.04	57.0	37
22	34.5	38	26.0	39.7	31.75	3.04	57.0	41
24	37.5	41	28.8	42.8	34.92	3.73	58.5	44

TABLE II: MODIFICATION CODES

CONTACT OPTIONS	
Sym	Description
B0	Connector Without Contacts (Only for crimp version)
FINISH OPTIONS	
Sym	Description and RoHS compliant
F7	Black Zinc Nickel
F11	Electroless Nickel
MB	Marine Bronze
Omit for standard version (Cadmium Olive Drab Finish)	



IPT 00 W Wall Mounting Receptacle with Long Backshell, Metal Sleeve and Gland Seal



Application Notes

1. Wall mounting receptacle with long backshell, incorporated metal sleeve and gland seal.
No cable clamp provided; through mounting holes.
2. Connector/Backshell Class "W" (environmental).
3. Standard materials configuration consists of aluminum alloy with stainless steel coupling pins.
4. Standard contact material consists of copper alloy with gold plating over nickel.
5. A broad range of other front and rear connector accessories are available. See our website and/or contact factory for complete information.
6. Standard insert is high insulation synthetic rubber.

IPT 00 W
Wall Mounting Receptacle
with Long Backshell, Metal Sleeve and Gland Seal

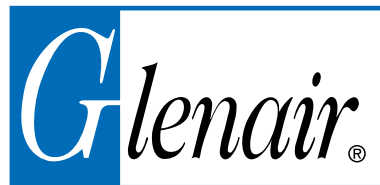


TABLE I: DIMENSIONS

Shell size	ØC		D Max.	G ±0.4	H ±0.1	ØM +0.1 0	L Max.
	open	closed					
8	5,85	4,5	13.90	20.6	15.10	3.04	47.5
10	7,9	5,6	17.15	23.8	18.25	3.04	47.5
12	11,25	8,6	20.60	26.2	20.60	3.04	47.5
14	13,7	10,2	23.90	28.6	23.00	3.04	55.5
16	15	12,5	27.50	31.0	24.60	3.04	61.0
18	16,5	13,5	30.90	33.3	27.00	3.04	68.0
20	18,5	15	34.10	36.5	29.40	3.04	78.5
22	21,5	18	37.50	39.7	31.75	3.04	83.0
24	22.7 (*)	18.8 (*)	40.30	42.8	34.92	3.73	90.0

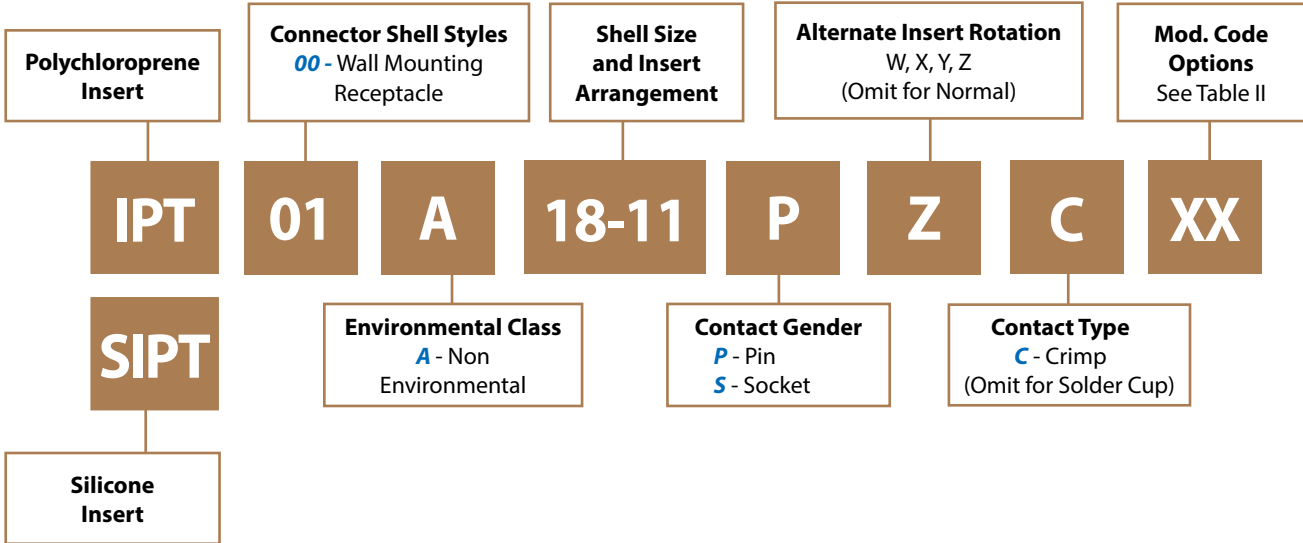
(*) Consult the factory.

TABLE II: MODIFICATION CODES

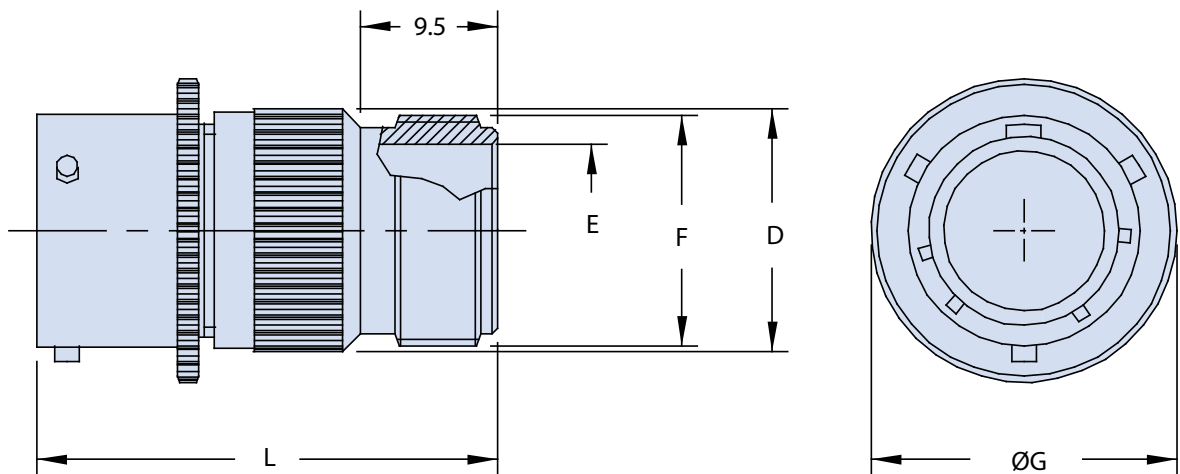
CONTACT OPTIONS	
Sym	Description
B0	Connector Without Contacts (Only for crimp version)
FINISH OPTIONS	
Sym	Description and RoHS compliant
F6	Black Electrodeposited Paint
F7	Black Zinc Nickel
F11	Electroless Nickel
MB	Marine Bronze
Omit for standard version (Cadmium Olive Drab Finish)	



IPT 01 A In-Line Cable Connector with General Duty Backshell



C



Application Notes

1. In-line cable connector with general duty backshell.
2. Connector Class "A" (non-environmental—no grommet supplied).
3. Standard materials configuration consists of aluminum alloy with stainless steel coupling pins.
4. Standard contact material consists of copper alloy with gold plating over nickel.
5. A broad range of other front and rear connector accessories are available. See our website and/or contact factory for complete information.
6. Standard insert is high insulation synthetic rubber.

IPT 01 A
In-Line Cable Connector
with General Duty Backshell



TABLE I: DIMENSIONS

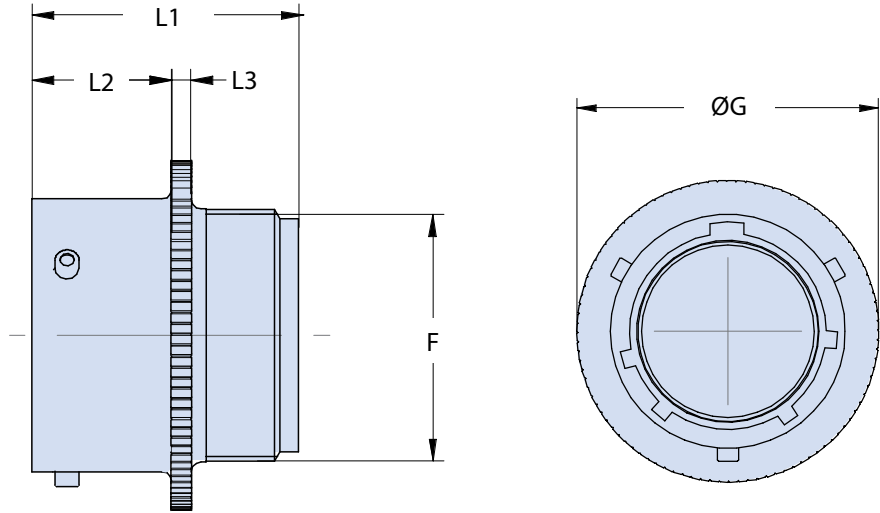
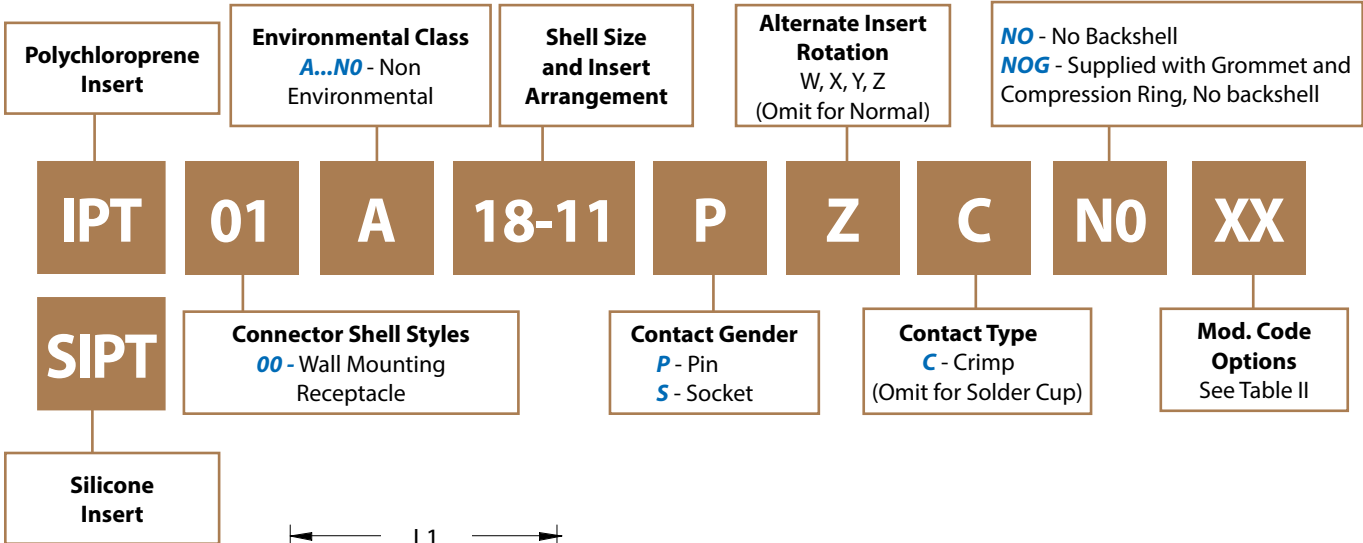
Shell size	D Max.	E min.	F Thread in inches	ØG ±0.2	L Max.
8	15.00	7.55	.5000 - 28 UNEF	17.3	45.9
10	18.20	10.70	.6250 - 24 UNEF	21.8	45.9
12	21.20	13.85	.7500 - 20 UNEF	25.1	45.9
14	24.60	16.85	.8750 - 20 UNEF	28.6	45.9
16	27.60	20.00	1.0000 - 20 UNEF	30.6	45.9
18	30.90	22.30	1.1875 - 18 UNEF	33.2	45.9
20	33.80	25.75	1.1875 - 18 UNEF	36.5	50.0
22	37.10	28.80	1.4375 - 18 UNEF	39.6	50.0
24	40.25	32.00	1.4375 - 18 UNEF	43.1	50.0

TABLE II: MODIFICATION CODES

CONTACT OPTIONS	
Sym	Description
B0	Connector Without Contacts (Only for crimp version)
FINISH OPTIONS	
Sym	Description and RoHS compliant
F6	Black Electrodeposited Paint
F7	Black Zinc Nickel
F11	Electroless Nickel
MB	Marine Bronze
Omit for standard version (Cadmium Olive Drab Finish)	



IPT 01 A...N0 In-Line Cable Connector without Backshell



C

- ### Application Notes
1. In-line cable connector without backshell with rear thread for the attachment of additional accessories.
 2. Connector Class "A...N0" (non-environmental)—no grommet supplied.
 3. Connector Class "A..NOG" (non-environmental)—supplied with grommet and compression ring, no backshell.
 4. Standard materials configuration consists of aluminum alloy with stainless steel coupling pins.
 5. Standard contact material consists of copper alloy with gold plating over nickel.
 6. A broad range of other front and rear connector accessories are available. See our website and/or contact factory for complete information.
 7. Standard insert is high insulation synthetic rubber.

IPT 01 A...NO
In-Line Cable Connector
without Backshell



TABLE I: DIMENSIONS

Shell size	ØG ±0.2	L1 Max.	L2 +0.8 -0	L3 Max.	F Thread in inches
8	17.3	21.7	10.94	2.0	.4375 - 28 UNEF
10	21.8	21.4	10.94	2.0	.5625 - 24 UNEF
12	25.1	21.7	10.94	2.0	.6875 - 24 UNEF
14	28.6	21.7	10.94	2.0	.8125 - 20 UNEF
16	30.6	21.4	10.94	2.0	.9375 - 20 UNEF
18	33.2	21.4	10.94	2.0	1.0625 - 18 UNEF
20	36.5	27.0	14.12	2.8	1.1875 - 18 UNEF
22	39.6	27.0	14.12	2.8	1.3125 - 18 UNEF
24	43.1	29.0	14.96	2.8	1.4375 - 18 UNEF

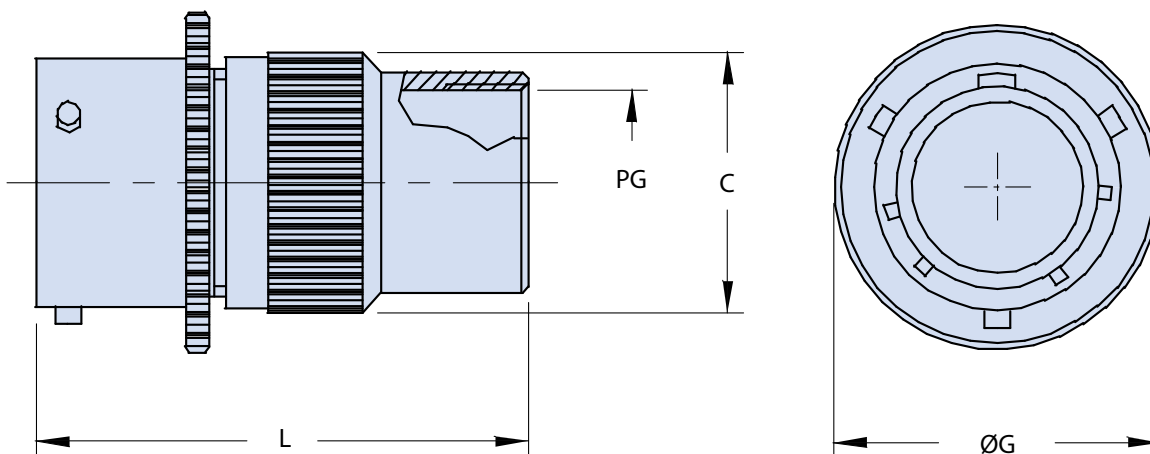
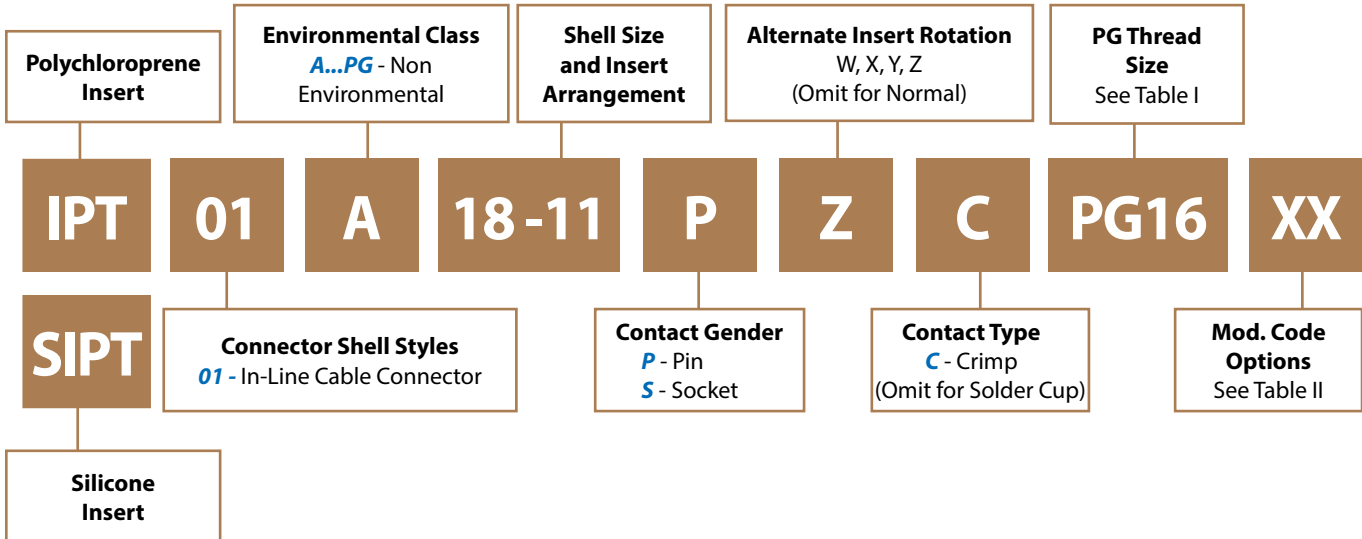
TABLE II: MODIFICATION CODES

CONTACT OPTIONS	
Sym	Description
B0	Connector Without Contacts (Only for crimp version)
FINISH OPTIONS	
Sym	Description and RoHS compliant
F6	Black Electrodeposited Paint
F7	Black Zinc Nickel
F11	Electroless Nickel
MB	Marine Bronze
Omit for standard version (Cadmium Olive Drab Finish)	





IPT 01 A...PG__
In-Line Cable Connector
with PG Threaded Backshell



Application Notes

1. In-line cable connector with backshell adapter threaded for use with PG cable glands (not included). Other types of PG adapters can be supplied in various sizes upon request.
2. Connector Class "A" (non-environmental)—no grommet supplied.
3. Standard materials configuration consists of aluminum alloy with stainless steel coupling pins.
4. Standard contact material consists of copper alloy with gold plating over nickel.
5. A broad range of other front and rear connector accessories are available. See our website and/or contact factory for complete information.
6. Standard insert is high insulation synthetic rubber.

IPT 01 A...PG__
In-Line Cable Connector
with PG Threaded Backshell



TABLE I: DIMENSIONS

Shell size	L Max.	C Max.	ØG ±0.2	PG Thread
8	41.0	18.0	17.3	7 – 9
10	41.0	18.0	21.8	7 – 9
12	51.0	23.5	25.1	11
14	51.0	24.5	28.6	9 – 11 – 13.5 – 16
16	56.0	28.0	30.6	9 – 11 – 13.5 – 16 – 21
18	56.0	30.5	33.2	13.5 – 16
20	58.5	33.5	36.5	13.5 – 16
22	63.5	37.0	39.6	13.5 – 16 – 21
24	66.0	40.0	43.1	13.5 – 16 – 21

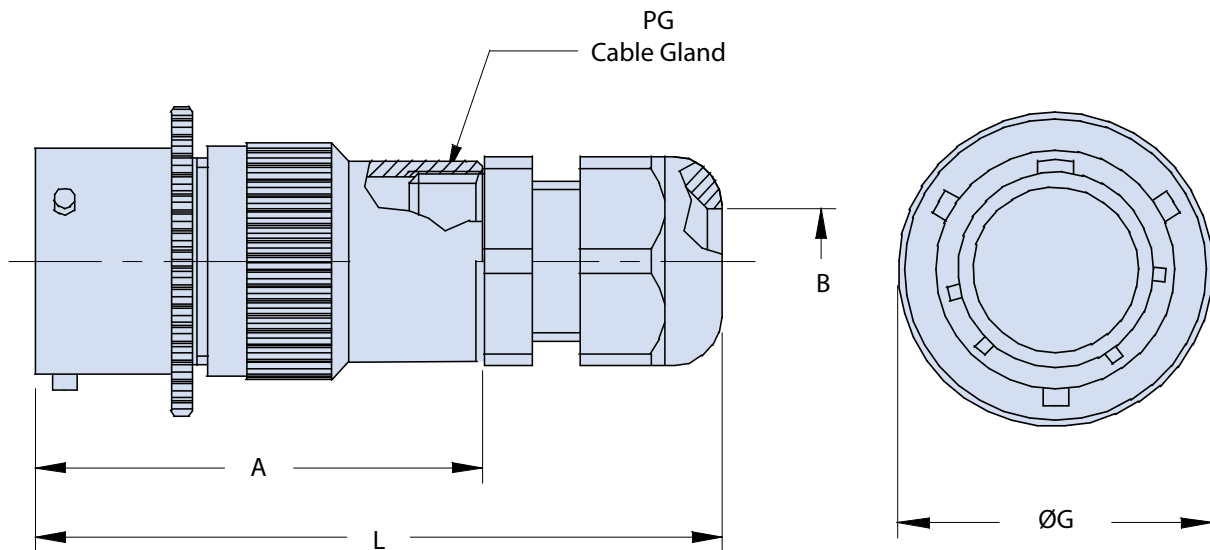
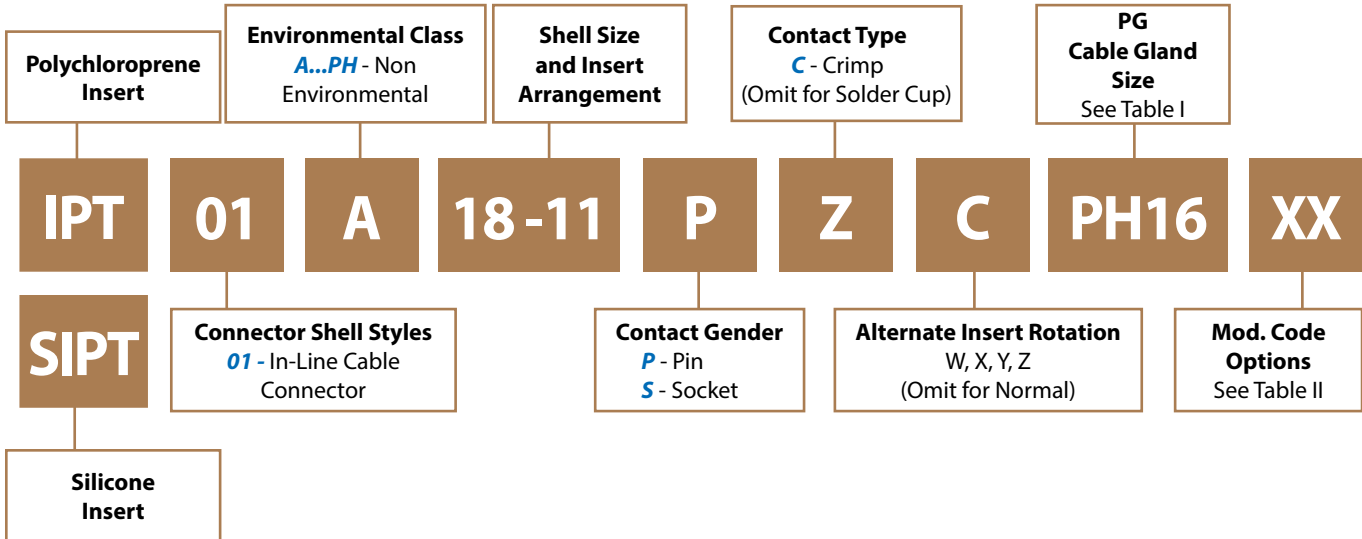
TABLE II: MODIFICATION CODES

CONTACT OPTIONS	
Sym	Description
B0	Connector Without Contacts (Only for crimp version)
FINISH OPTIONS	
Sym	Description and RoHS compliant
F6	Black Electrodeposited Paint
F7	Black Zinc Nickel
F11	Electroless Nickel
MB	Marine Bronze
Omit for standard version (Cadmium Olive Drab Finish)	





IPT 01 A...PH__ In-Line Cable Connector with Backshell and Plastic PG Cable Gland



Application Notes

1. In-line cable connector with backshell and plastic PG cable gland. Other types of PG adapters can be supplied in various sizes upon request.
2. Connector Class "A" (non-environmental)—no grommet supplied.
3. Standard materials configuration consists of aluminum alloy with stainless steel coupling pins.
4. Standard contact material consists of copper alloy with gold plating over nickel.
5. A broad range of other front and rear connector accessories are available. See our website and/or contact factory for complete information.
6. Standard insert is high insulation synthetic rubber.

IPT 01 A...PH__
In-Line Cable Connector
with Backshell and Plastic PG Cable Gland

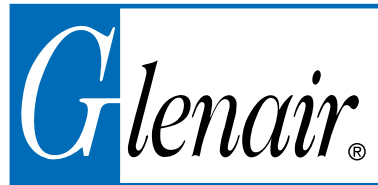


TABLE I: DIMENSIONS

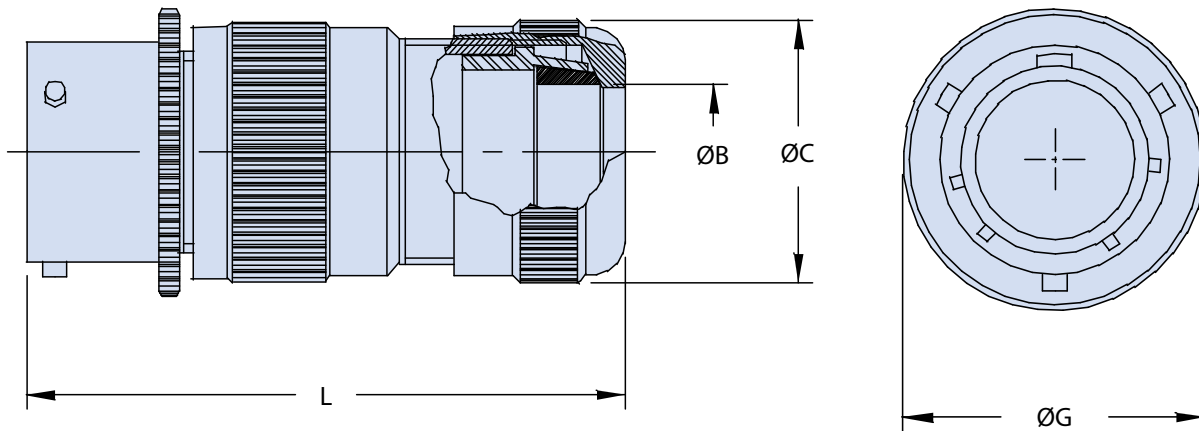
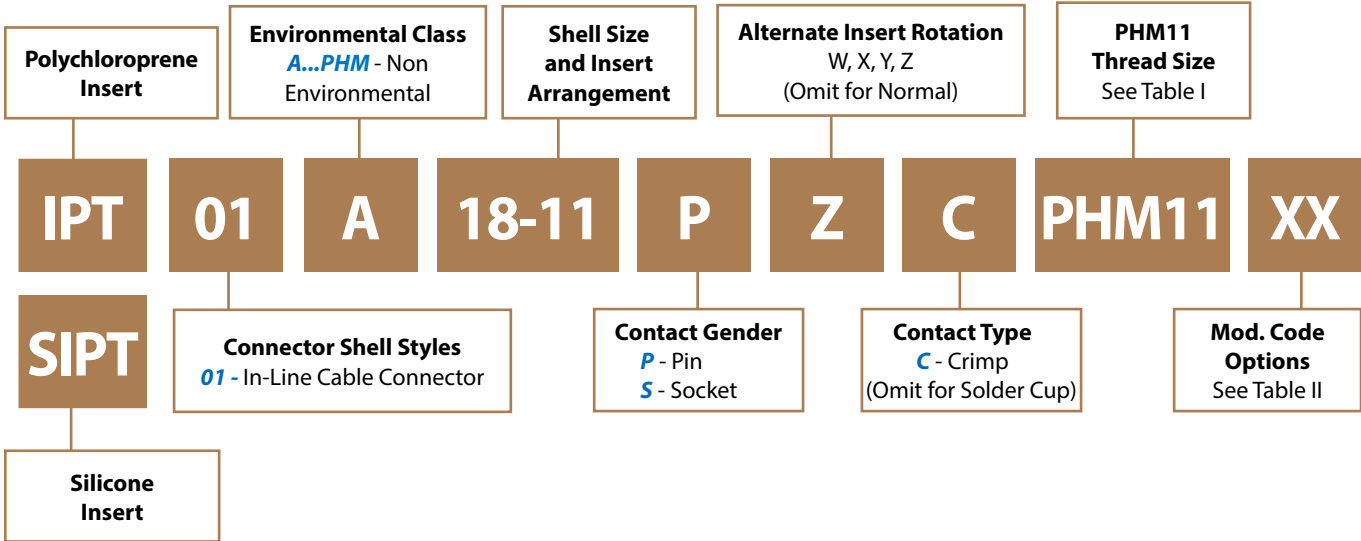
Shell size	A Max.	B min. - max.	PG Cable Gland Size	L Max.	ØG ±0.2
8	41.0	3 - 6.5 / 4 - 8	7 / 9	65.00	17.3
10	41.0	4 - 8	9	65.00	21.8
12	51.0	5 - 10	11	77.50	25.1
14	51.0	5 - 10 / 6 - 12 / 9 - 14	11 / 13.5 / 16	81.00	28.6
16	56.0	5 - 10 / 6 - 12 / 9 - 14	11 / 13.5 / 16	86.00	30.6
18	56.0	6 - 12 / 9 - 14	13.5 / 16	86.00	33.2
20	58.5	6 - 12 / 9 - 14	13.5 / 16	88.50	36.5
22	63.5	6 - 12 / 9 - 14 / 13 - 18	13.5 / 16 / 21	99.50	39.6
24	66.0	6 - 12 / 9 - 14 / 13 - 18	13.5 / 16 / 21	102.00	43.1

TABLE II: MODIFICATION CODES

CONTACT OPTIONS	
Sym	Description
B0	Connector Without Contacts (Only for crimp version)
FINISH OPTIONS	
Sym	Description and RoHS compliant
F6	Black Electrodeposited Paint
F7	Black Zinc Nickel
F11	Electroless Nickel
MB	Marine Bronze
Omit for standard version (Cadmium Olive Drab Finish)	



IPT 01 A...PHM__
In-Line Cable Connector
with PHM Backshell
and Sleeves to Accommodate Various Cable Sizes



Application Notes

1. In-line cable connector with backshell and PHM cable clamp. Rubber sleeves included to allow use of different cable diameters.
2. Connector Class "A" (non-environmental)—no grommet supplied.
3. Standard materials configuration consists of aluminum alloy with stainless steel coupling pins.
4. Standard contact material consists of copper alloy with gold plating over nickel.
5. A broad range of other front and rear connector accessories are available. See our website and/or contact factory for complete information.
6. Standard insert is high insulation synthetic rubber.

IPT 01 A...PHM__
In-Line Cable Connector
with PHM Backshell
and Sleeves to Accommodate Various Cable Sizes



TABLE I: DIMENSIONS

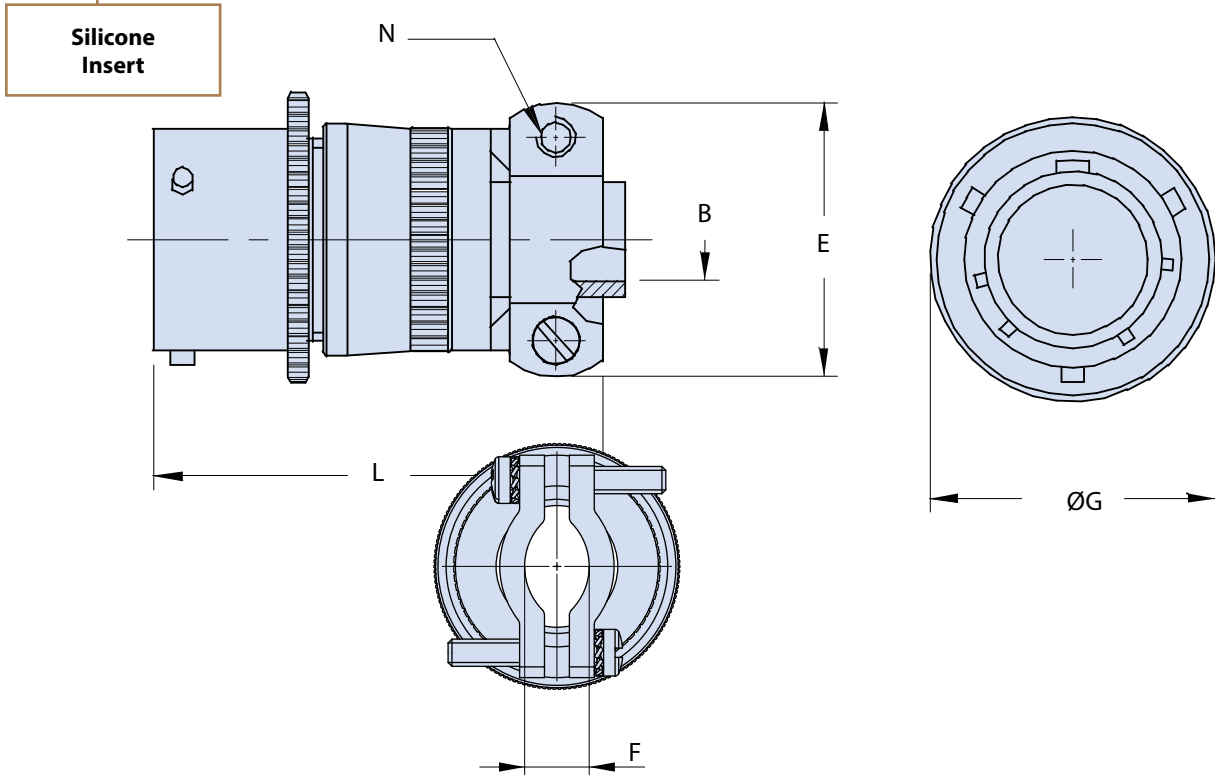
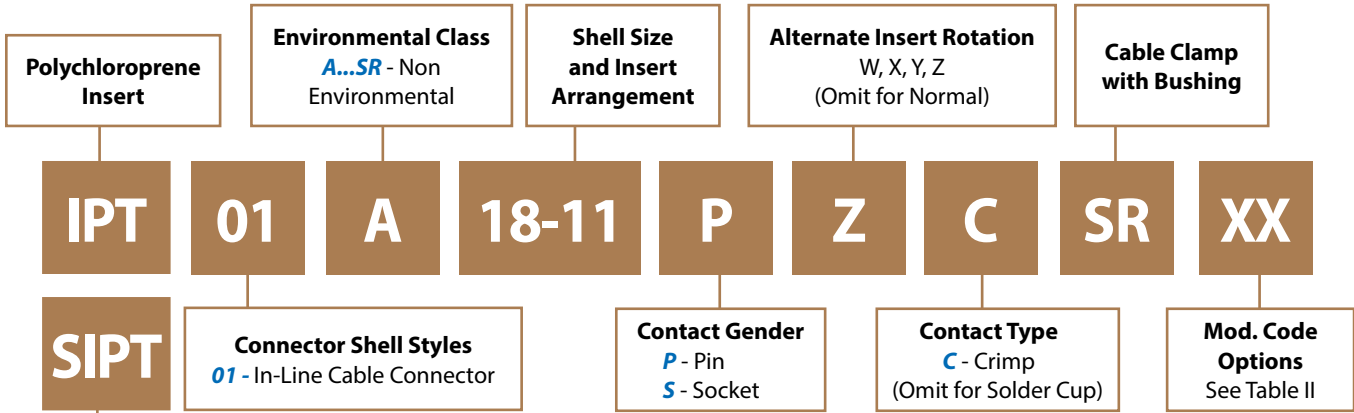
Shell size	P.N. PHM	ØB min. - max.	C Max.	ØG ±0.2	L Max.
8	7	2 - 7	15	17.3	55.0
10	9	2 - 9	21	21.8	55.0
12	11	2 - 11	24	25.1	65.0
14	11	2 - 11	24	28.6	65.0
16	11	2 - 11	24	30.6	65.0
18	11 / 18	2 - 11 / 9 - 16.5	42	33.2	80.0
20	18	9 - 16.5	42	36.5	81.5
22	18	9 - 16.5	42	39.6	81.5
24	18 / 22 / 24	9 - 16.5 / 15 - 20 / 19 - 24	42	43.1	82.0

TABLE II: MODIFICATION CODES

CONTACT OPTIONS	
Sym	Description
B0	Connector Without Contacts (Only for crimp version)
FINISH OPTIONS	
Sym	Description and RoHS compliant
F6	Black Electrodeposited Paint
F7	Black Zinc Nickel
F11	Electroless Nickel
MB	Marine Bronze
Omit for standard version (Cadmium Olive Drab Finish)	



IPT 01 A...SR In-Line Cable Connector with Backshell, Cable Clamp and Bushing



Application Notes

1. In-line cable connector with backshell, cable clamp and bushing for cable protection.
2. Connector Class "A" (non-environmental)—no grommet supplied.
3. Standard materials configuration consists of aluminum alloy with stainless steel coupling pins.
4. Standard contact material consists of copper alloy with gold plating over nickel.
5. A broad range of other front and rear connector accessories are available. See our website and/or contact factory for complete information.
6. Standard insert is high insulation synthetic rubber.

IPT 01 A...SR
In-Line Cable Connector
 with Backshell,
 Cable Clamp and Bushing



TABLE I: DIMENSIONS

Shell size	B ±0.25	F (*) ±0.75	E ±0.2	ØG ±0.2	L Max.	N Thread
8	3.2	4	19.10	17.3	48.5	6 - 32
10	4.8	4	20.70	21.8	48.5	6 - 32
12	7.9	6,4	23.90	25.1	48.5	6 - 32
14	9.5	7,5	27.00	28.6	48.5	6 - 32
16	12.7	8,3	28.60	30.6	52.0	6 - 32
18	15.9	11,3	35.00	33.2	52.0	8 - 32
20	15.9	12,7	35.00	36.5	60.5	8 - 32
22	19.0	16,3	39.75	39.6	60.5	8 - 32
24	20.3	16,3	42.10	43.1	63.0	8 - 32

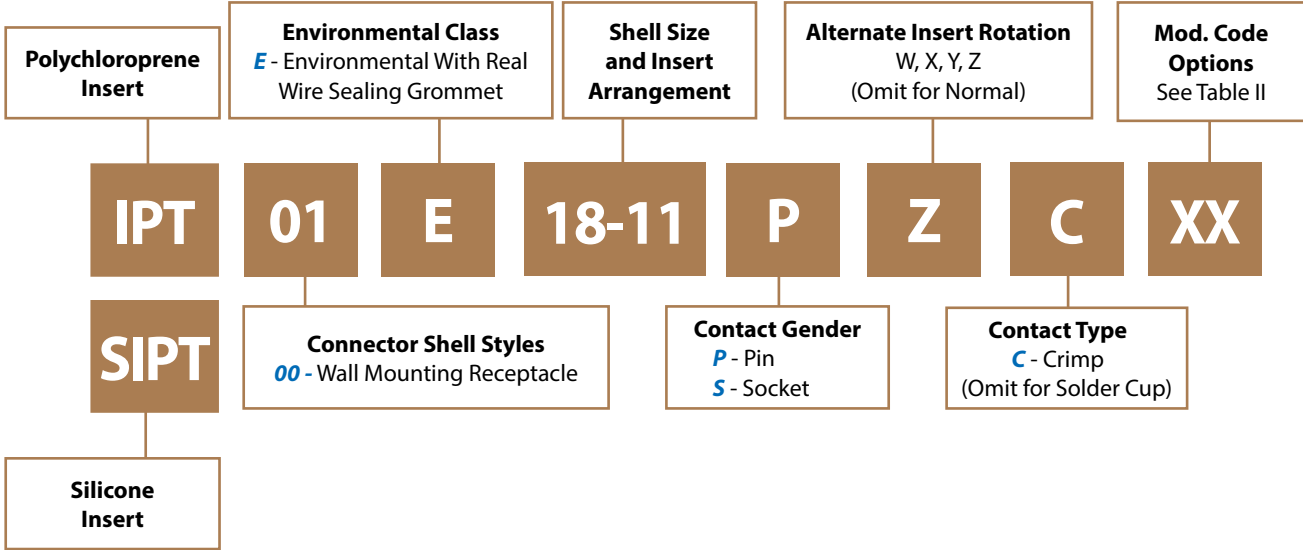
(*) Cable clamp cleats fully closed.

TABLE II: MODIFICATION CODES

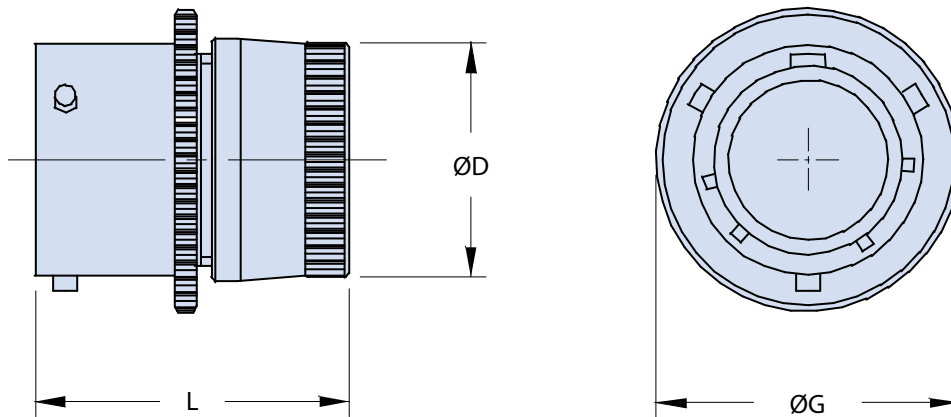
CONTACT OPTIONS	
Sym	Description
B0	Connector Without Contacts (Only for crimp version)
FINISH OPTIONS	
Sym	Description and RoHS compliant
F6	Black Electrodeposited Paint
F7	Black Zinc Nickel
F11	Electroless Nickel
MB	Marine Bronze
Omit for standard version (Cadmium Olive Drab Finish)	



IPT 01 E In-Line Cable Connector with General Duty Backshell



C



Application Notes

1. In-Line Cable Connector Class "E" (environmental)—Wire sealing grommet and general duty backshell supplied.
2. Standard materials configuration consists of aluminum alloy with stainless steel coupling pins.
3. Standard contact material consists of copper alloy with gold plating over nickel.
4. A broad range of other front and rear connector accessories are available. See our website and/or contact factory for complete information.
5. Standard insert is high insulation synthetic rubber.

IPT 01 E
In-Line Cable Connector
with General Duty Backshell



TABLE I: DIMENSIONS

Shell size	ØD Max.	ØG ±0.2	L Max.
8	15.44	17.3	32.15
10	18.64	21.8	32.15
12	21.79	25.1	32.15
14	25.00	28.6	32.15
16	28.19	30.6	32.15
18	31.34	33.2	32.15
20	34.54	36.5	38.50
22	37.69	39.6	38.50
24	40.89	43.1	40.10

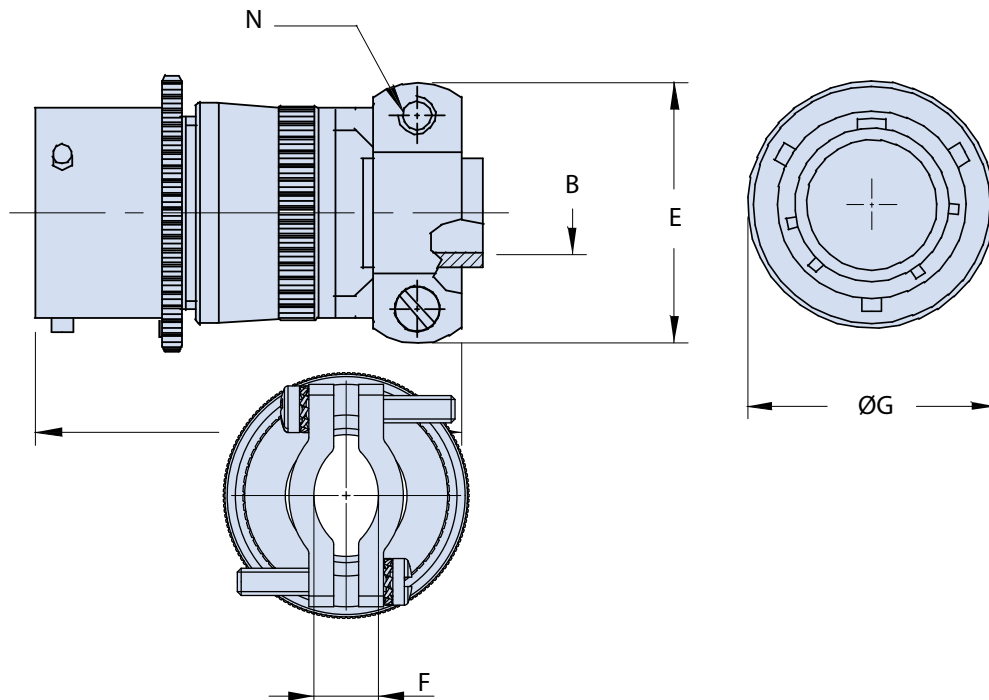
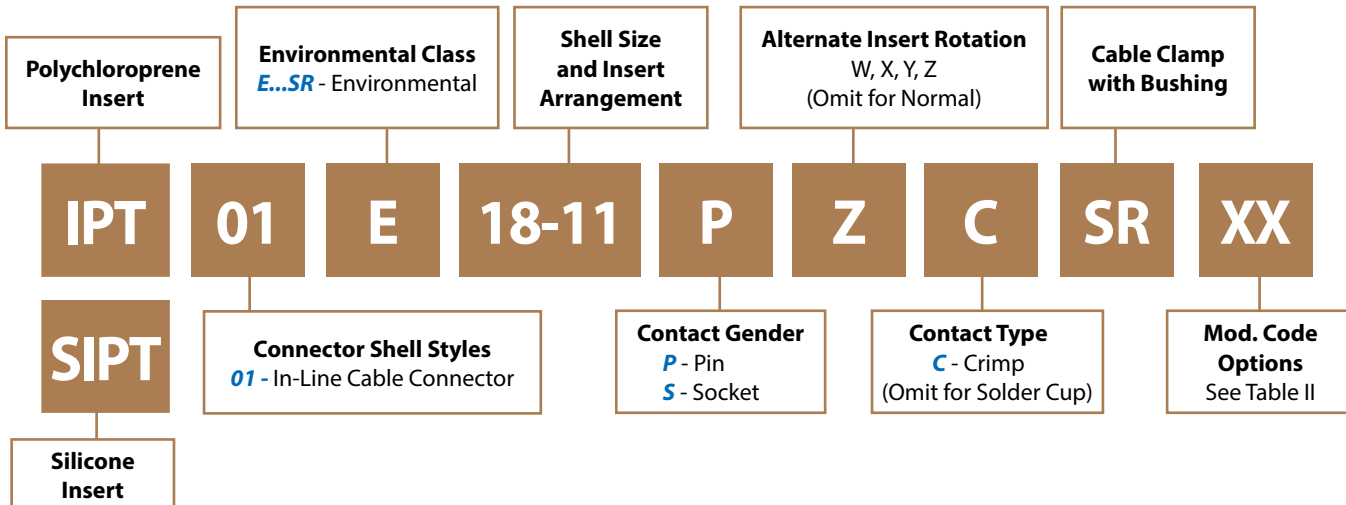
TABLE II: MODIFICATION CODES

CONTACT OPTIONS	
Sym	Description
B0	Connector Without Contacts (Only for crimp version)
FINISH OPTIONS	
Sym	Description and RoHS compliant
F6	Black Electrodeposited Paint
F7	Black Zinc Nickel
F11	Electroless Nickel
MB	Marine Bronze
Omit for standard version (Cadmium Olive Drab Finish)	





IPT 01 E...SR In-Line Cable Connector with Backshell, Cable Clamp and Bushing



Application Notes

1. In-line cable connector with sealing grommet, cable clamp and bushing for cable protection.
2. Connector Class "E" (environmental)—Wire sealing grommet supplied.
3. Standard materials configuration consists of aluminum alloy with stainless steel coupling pins.
4. Standard contact material consists of copper alloy with gold plating over nickel.
5. A broad range of other front and rear connector accessories are available. See our website and/or contact factory for complete information.
6. Standard insert is high insulation synthetic rubber.

IPT 01 E...SR
In-Line Cable Connector
 with Backshell, Cable Clamp and Bushing



TABLE I: DIMENSIONS

Shell size	B ±0.25	F (*) ±0.75	E ±0.2	ØG ±0.2	L Max.	N Thread
8	3.2	4	19.10	17.3	48.5	6 - 32
10	4.8	4	20.70	21.8	48.5	6 - 32
12	7.9	6,4	23.90	25.1	48.5	6 - 32
14	9.5	7,5	27.00	28.6	48.5	6 - 32
16	12.7	8,3	28.60	30.6	52.0	6 - 32
18	15.9	11,3	35.00	33.2	52.0	8 - 32
20	15.9	12,7	35.00	36.5	60.5	8 - 32
22	19.0	16,3	39.75	39.6	60.5	8 - 32
24	20.3	16,3	42.10	43.1	63.0	8 - 32

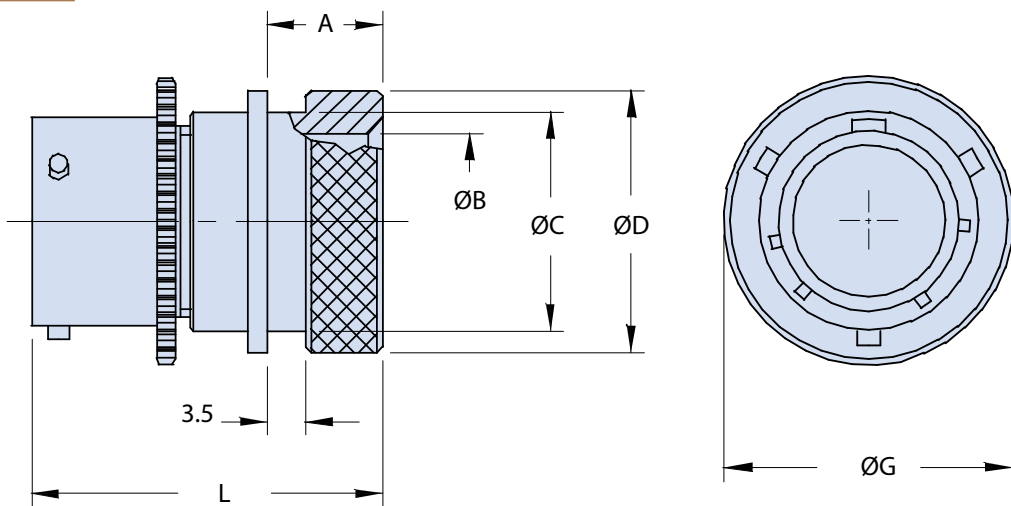
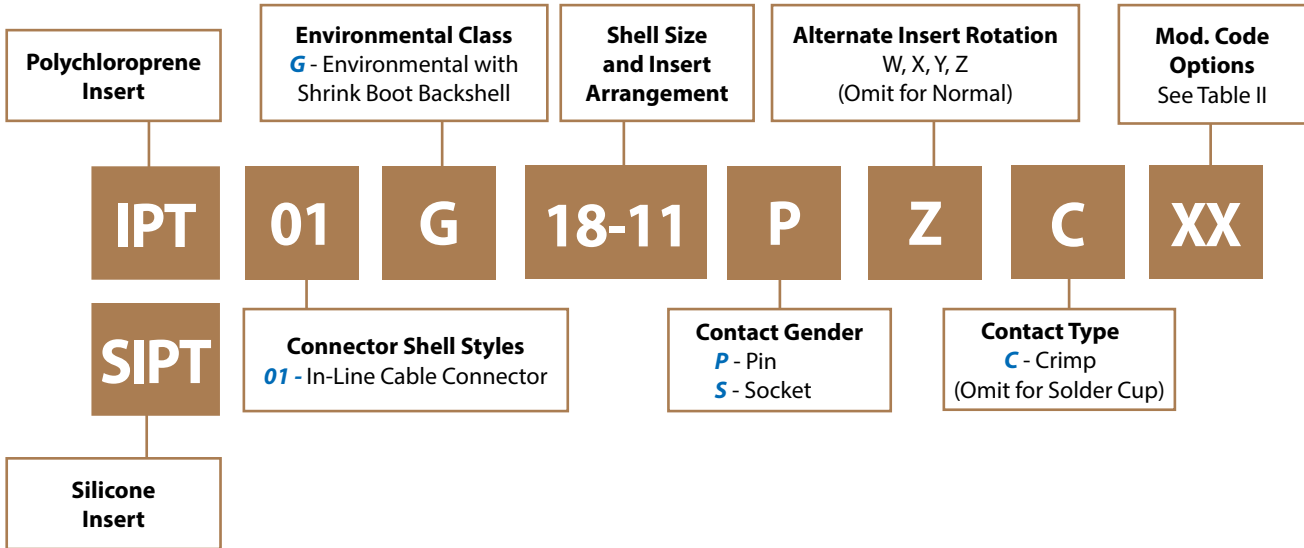
(*) Cable clamp cleats fully closed.

TABLE II: MODIFICATION CODES

CONTACT OPTIONS	
Sym	Description
B0	Connector Without Contacts (Only for crimp version)
FINISH OPTIONS	
Sym	Description and RoHS compliant
F6	Black Electrodeposited Paint
F7	Black Zinc Nickel
F11	Electroless Nickel
MB	Marine Bronze
Omit for standard version (Cadmium Olive Drab Finish)	



IPT 01 G In-Line Cable Connector with Shrink Boot Backshell



Application Notes

1. In-line cable connector with sealing grommet and backshell for heat shrink boot.
2. Connector/Backshell Class "G" (environmental)--Wire sealing grommet supplied.
3. Standard materials configuration consists of aluminum alloy with stainless steel coupling pins.
4. Standard contact material consists of copper alloy with gold plating over nickel.
5. A broad range of other front and rear connector accessories are available. See our website and/or contact factory for complete information.
6. Standard insert is high insulation synthetic rubber.

IPT 01 G
In-Line Cable Connector
with Shrink Boot Backshell



TABLE I: DIMENSIONS

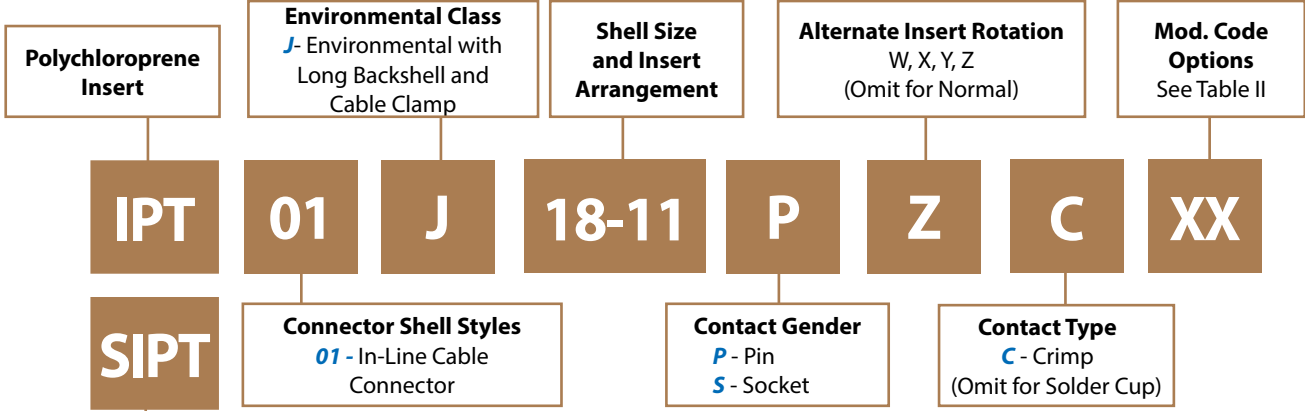
Shell size	A ±0.1	ØB +0.1 -0	ØC +0 -0.1	ØD +0 -0.3	L Max.	ØG ±0.2
8	12.2	8.20	13.0	15.5	43.5	17.3
10	12.2	11.40	15.8	18.3	42.0	21.8
12	12.2	14.55	21.0	23.6	42.0	25.1
14	12.2	17.50	21.8	24.4	42.0	28.6
16	14.5	20.60	25.9	29.7	44.0	30.6
18	14.5	23.15	28.2	31.9	44.5	33.2
20	15.8	26.50	32.2	36.0	48.5	36.5
22	15.8	29.60	34.5	38.4	48.5	39.6
24	14.9	32.80	37.6	41.5	48.5	43.1

TABLE II: MODIFICATION CODES

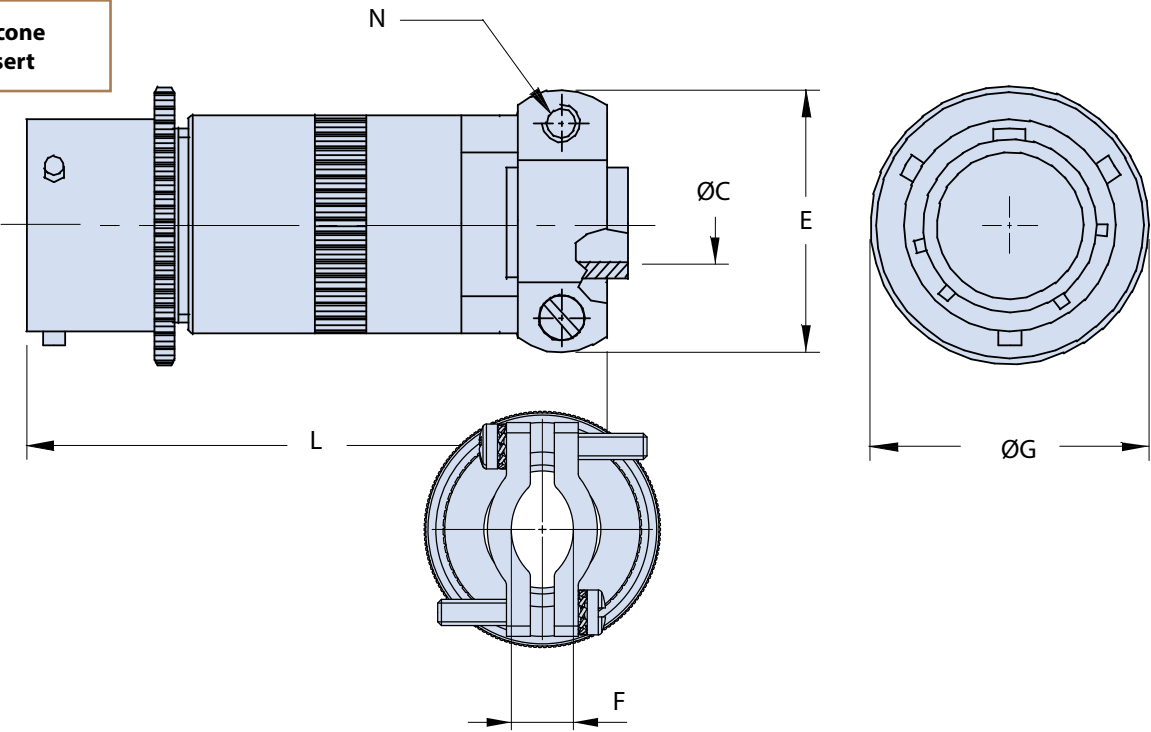
CONTACT OPTIONS	
Sym	Description
B0	Connector Without Contacts (Only for crimp version)
FINISH OPTIONS	
Sym	Description and RoHS compliant
F6	Black Electrodeposited Paint
F7	Black Zinc Nickel
F11	Electroless Nickel
MB	Marine Bronze
Omit for standard version (Cadmium Olive Drab Finish)	



IPT 01 J In-Line Cable Connector with Backshell, Cable Clamp and Sleeve



Silicone Insert



C

Application Notes

1. In-line cable connector with backshell, incorporated metal sleeve and cable clamp.
2. Connector/Backshell Class "J" (environmental)—No grommet supplied.
3. Standard materials configuration consists of aluminum alloy with stainless steel coupling pins.
4. Standard contact material consists of copper alloy with gold plating over nickel.
5. A broad range of other front and rear connector accessories are available. See our website and/or contact factory for complete information.
6. Standard insert is high insulation synthetic rubber.

IPT 01 J
In-Line Cable Connector
with Backshell, Cable Clamp and Sleeve



TABLE I: DIMENSIONS

Shell size	ØC		F (**) ±0.75	E ±0.2	ØG ±0.2	L Max.	N Thread
	open	closed					
8	5,85	4,5	4	19.10	17.3	56	6 - 32
10	7,9	5,6	4	20.70	21.8	56	6 - 32
12	11,25	8,6	6,4	23.90	25.1	59	6 - 32
14	13,7	10,2	7,5	27.00	28.6	66	6 - 32
16	15	12,5	8,3	28.60	30.6	72	6 - 32
18	16,5	13,5	11,3	35.00	33.2	79	8 - 32
20	18,5	15	12,7	35.00	36.5	90	8 - 32
22	21,5	18	16,3	39.75	39.6	95	8 - 32
24	22.7 (*)	18.8 (*)	16,3	42.10	43.1	102	8 - 32

(*) Consult the factory.

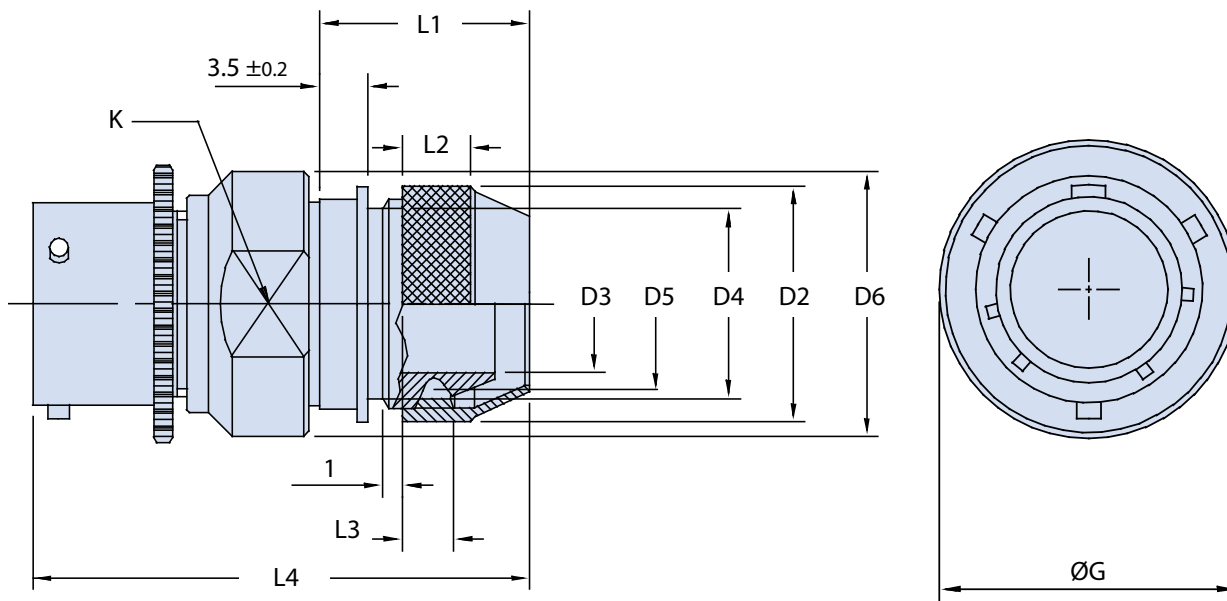
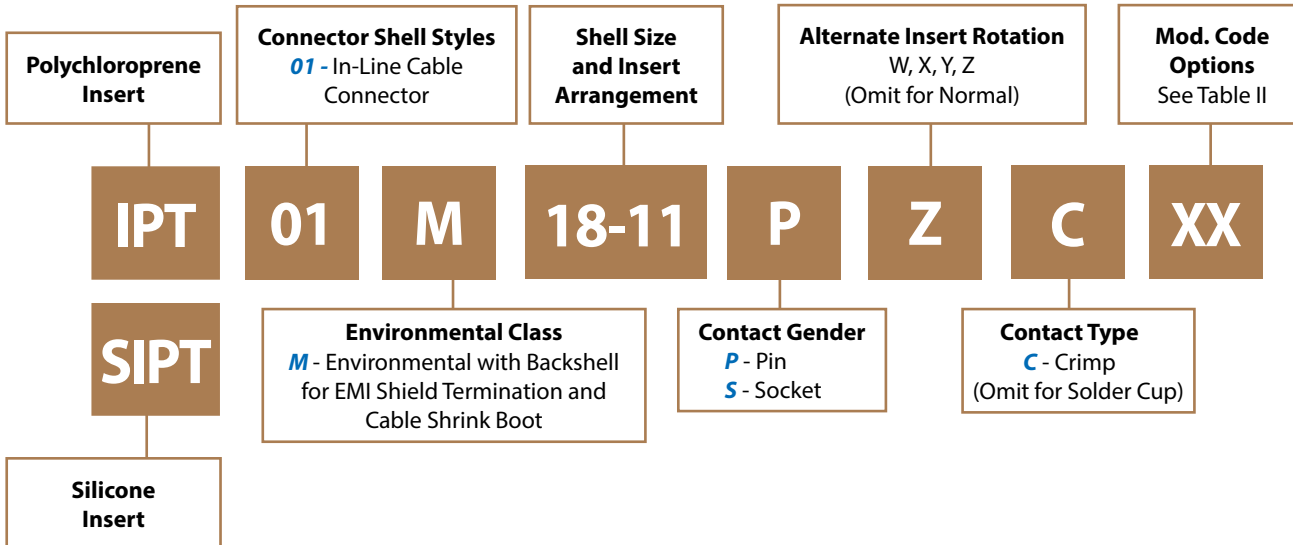
(**) Cable clamp cleats fully closed.

TABLE II: MODIFICATION CODES

CONTACT OPTIONS	
Sym	Description
B0	Connector Without Contacts (Only for crimp version)
FINISH OPTIONS	
Sym	Description and RoHS compliant
F6	Black Electrodeposited Paint
F7	Black Zinc Nickel
F11	Electroless Nickel
MB	Marine Bronze
Omit for standard version (Cadmium Olive Drab Finish)	



IPT 01 M
In-Line Cable Connector
with Backshell for
EMI Shield Termination and Shrink Boot



Application Notes

1. In-line cable connector with backshell for terminating EMI shielding and attaching heat shrink boots.
2. Connector/Backshell Class "M" (environmental)—Wire sealing grommet supplied.
3. Standard materials configuration consists of aluminum alloy with stainless steel coupling pins.
4. Standard contact material consists of copper alloy with gold plating over nickel.
5. A broad range of other front and rear connector accessories are available. See our website and/or contact factory for complete information.
6. Standard insert is high insulation synthetic rubber.

IPT 01 M
In-Line Cable Connector
with Backshell for
EMI Shield Termination and Shrink Boot



IPT Series
Bayonet Lock
Connectors

TABLE I: DIMENSIONS

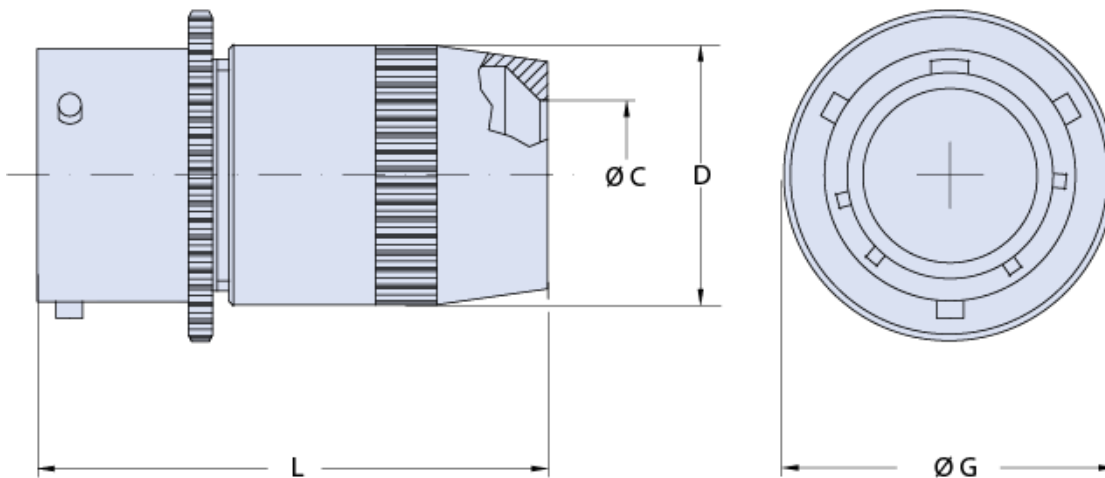
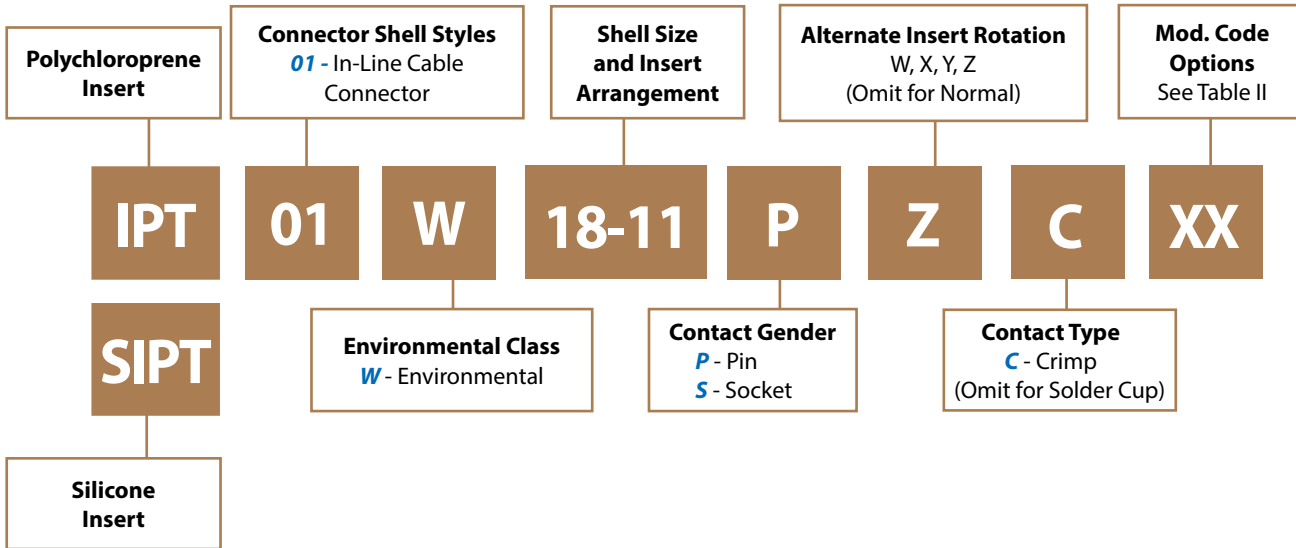
Shell size	K Key	ØG ±0.2	D2 +0.5 -0	D3 min.	D4	D5	D6 Max.	L1 +0 -2.5	L2 +1.5 -0	L3 min.	L4 Max.
8	18	17.3	16	6.6	13.5	M14x1	20	17	5	4	55
10	21	21.8	18	9.2	16.0	M16x1	23	17	5	4	55
12	24	25.1	22	12.2	20.0	M20x1	27	17	7	5	55
14	28	28.6	25	15.2	22.0	M23x1	30	18	8	6	56
16	31	30.6	28	18.3	26.0	M26x1	33	18	8	6	56
18	34	33.2	32	20.0	28.2	M30x1	36	18	10	6	56
20	37	36.5	34	23.0	30.5	M32x1	40	18	10	6	62
22	41	39.6	38	26.0	34.5	M36x1	43	18	10	6	62
24	44	43.1	41	28.8	37.2	M39x1	46	18	10	6	64

TABLE II: MODIFICATION CODES

CONTACT OPTIONS	
Sym	Description
B0	Connector Without Contacts (Only for crimp version)
FINISH OPTIONS	
Sym	Description and RoHS compliant
F7	Black Zinc Nickel
F11	Electroless Nickel
MB	Marine Bronze
Omit for standard version (Cadmium Olive Drab Finish)	



IPT 01 W In-Line Cable Connector with Long Backshell, Metal Sleeve and Gland Seal



Application Notes

1. In-line cable connector with long backshell, incorporated metal sleeve and gland seal. No cable clamp provided.
2. Connector/Backshell Class "W" (environmental)—No grommet supplied.
3. Standard materials configuration consists of aluminum alloy with stainless steel coupling pins.
4. Standard contact material consists of copper alloy with gold plating over nickel.
5. A broad range of other front and rear connector accessories are available. See our website and/or contact factory for complete information.
6. Standard insert is high insulation synthetic rubber.

IPT 01 W
In-Line Cable Connector
with Long Backshell, Metal Sleeve and Gland Seal

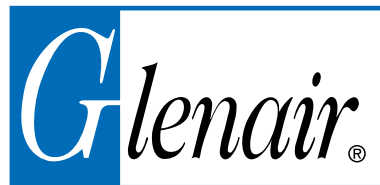


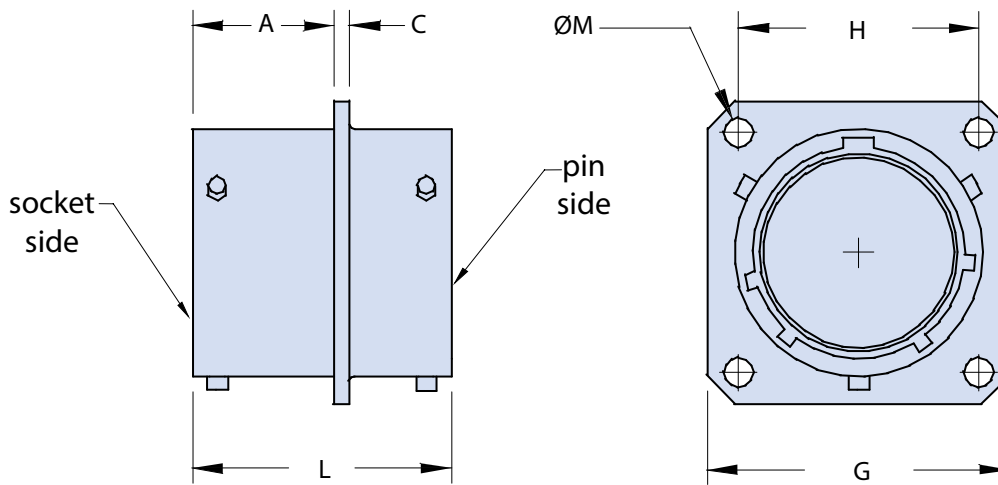
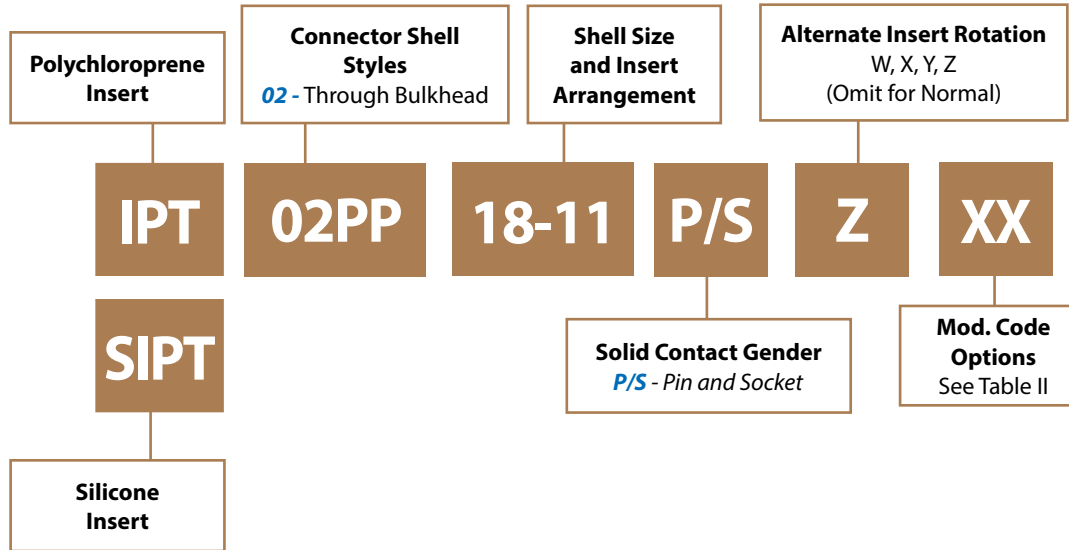
TABLE I: DIMENSIONS

Shell size	ØC		D Max.	ØG ±0.2	L Max.
	open	closed			
8	5,85	4,5	13.90	17.3	47.5
10	7,9	5,6	17.15	21.8	47.5
12	11,25	8,6	20.60	25.1	47.5
14	13,7	10,2	23.90	28.6	55.5
16	15	12,5	27.50	30.6	61.0
18	16,5	13,5	30.90	33.2	68.0
20	18,5	15	34.10	36.5	78.5
22	21,5	18	37.50	39.6	83.0
24	22.7 (*)	18.8 (*)	40.30	43.1	90.0

(*) Consult the factory.

TABLE II: MODIFICATION CODES

CONTACT OPTIONS	
Sym	Description
B0	Connector Without Contacts (Only for crimp version)
FINISH OPTIONS	
Sym	Description and RoHS compliant
F6	Black Electrodeposited Paint
F7	Black Zinc Nickel
F11	Electroless Nickel
MB	Marine Bronze
Omit for standard version (Cadmium Olive Drab Finish)	



Application Notes

1. Through bulkhead receptacle with solid feedthrough contacts.
2. Through mounting holes.
3. Standard materials configuration consists of aluminum alloy with stainless steel coupling pins.
4. Standard contact material consists of copper alloy with gold plating over nickel.
5. Standard insert is high insulation synthetic rubber.

IPT 02 PP
Through Bulkhead Receptacle



TABLE I: DIMENSIONS

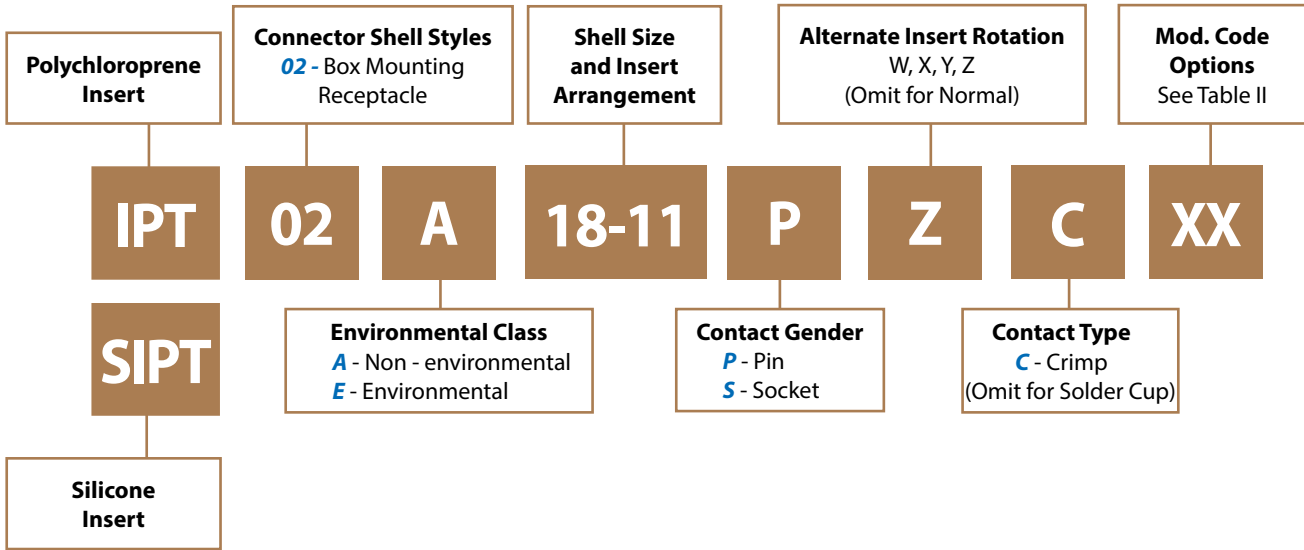
Shell size	A +0.2 -0	C ±0.2	L +0.2 -0	G ±0.4	H ±0.1	ØM +0.1 0
8	14.5	1.6	26.5	20.6	15.10	3.04
10	14.5	1.6	26.5	23.8	18.25	3.04
12	14.5	1.6	26.5	26.2	20.60	3.04
14	14.5	1.6	26.5	28.6	23.00	3.04
16	14.5	1.6	26.5	31.0	24.60	3.04
18	14.5	1.6	26.5	33.3	27.00	3.04
20	17.8	2.5	33.5	36.5	29.40	3.04
22	17.8	2.5	33.5	39.7	31.75	3.04
24	17.8	2.5	33.5	42.8	34.92	3.73

TABLE II: MODIFICATION CODES

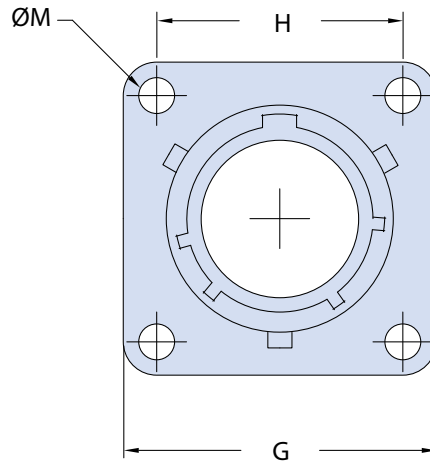
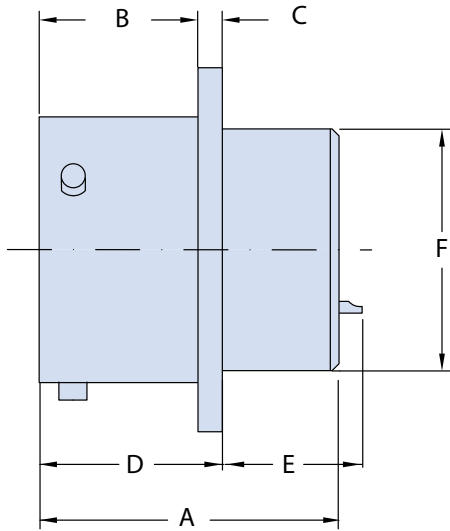
FINISH OPTIONS	
Sym	Description and RoHS compliant
F6	Black Electrodeposited Paint
F7	Black Zinc Nickel
F11	Electroless Nickel
MB	Marine Bronze
Omit for standard version (Cadmium Olive Drab Finish)	



IPT 02 A and IPT 02 E Box Mounting Receptacle



C



Application Notes

1. Box mount receptacle with through mounting holes; no rear accessory threads.
2. Connector Class "A" (non-environmental).
Connector Class "E" (environmental).
3. Standard materials configuration consists of aluminum alloy with stainless steel coupling pins.
4. Standard contact material consists of copper alloy with gold plating over nickel.
5. Standard insert is high insulation synthetic rubber.

IPT 02 A and IPT 02 E Box Mounting Receptacle



TABLE I: DIMENSIONS

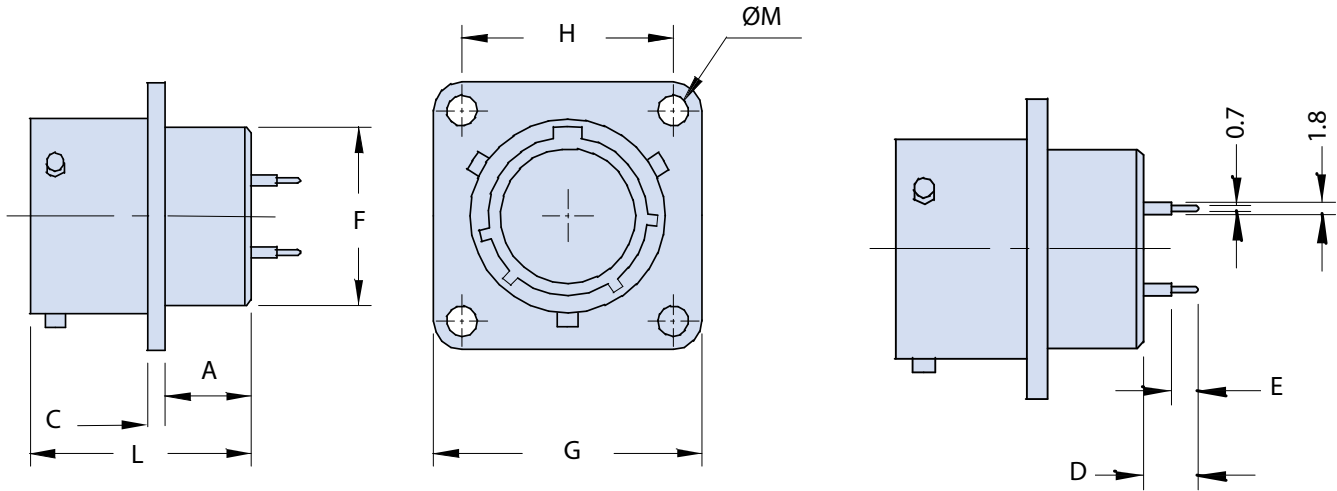
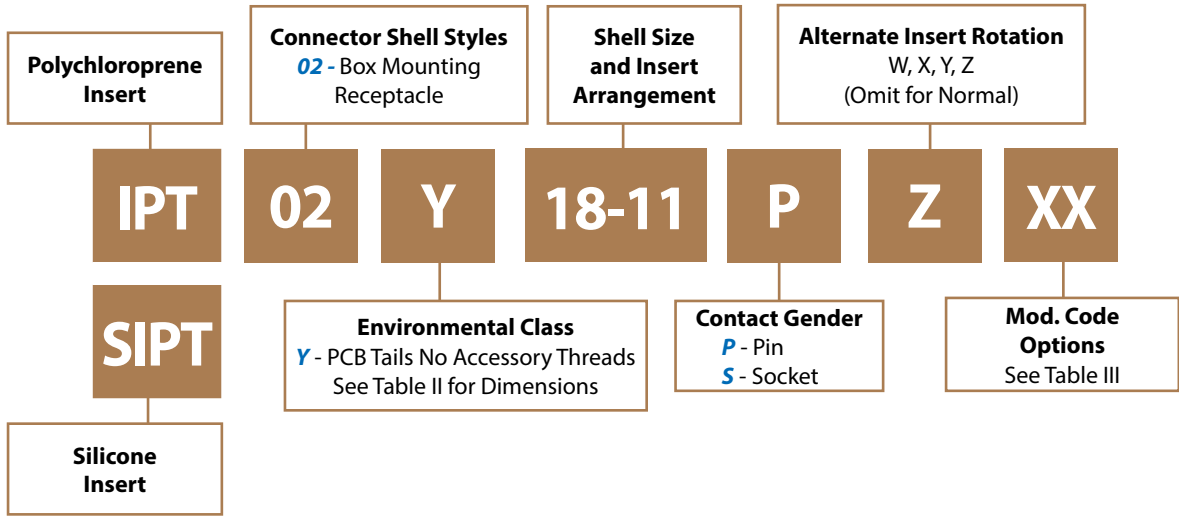
Shell size	A Max.	B +0.8 -0	C Max.	D +0.6 -0.25	E Max.	F Max.	G ±0.4	H ±0.1	ØM +0.1 0
8	21.9	10.94	2.0	12.5	11.8	11.40	20.6	15.10	3.04
10	21.9	10.94	2.0	12.5	11.8	14.55	23.8	18.25	3.04
12	21.9	10.94	2.0	12.5	11.8	17.75	26.2	20.60	3.04
14	21.9	10.94	2.0	12.5	11.8	20.90	28.6	23.00	3.04
16	21.9	10.94	2.0	12.5	11.8	24.10	31.0	24.60	3.04
18	21.9	10.95	2.0	12.5	11.8	27.25	33.3	27.00	3.04
20	27.4	14.12	2.8	16.5	13.4	30.45	36.5	29.40	3.04
22	27.4	14.12	2.8	16.5	13.4	33.60	39.7	31.75	3.04
24	29.0	14.96	2.8	17.3	12.5	36.80	42.8	34.92	3.73

TABLE II: MODIFICATION CODES

CONTACT OPTIONS	
Sym	Description
B0	Connector Without Contacts (Only for crimp version)
FINISH OPTIONS	
Sym	Description and RoHS compliant
F6	Black Electrodeposited Paint
F7	Black Zinc Nickel
F11	Electroless Nickel
MB	Marine Bronze
Omit for standard version (Cadmium Olive Drab Finish)	



IPT 02 Y Box Mounting Receptacle with Printed Circuit Board Terminations



Application Notes

1. Box mounting receptacle with PCB tails and no accessory threads. Printed circuit board terminations. Contact factory for custom tail lengths.
2. Through mounting holes.
3. Standard materials configuration consists of aluminum alloy with stainless steel coupling pins.
4. Standard contact material consists of copper alloy with gold plating over nickel.
5. Standard insert is high insulation synthetic rubber.

IPT 02 Y
Box Mounting Receptacle
with Printed Circuit Board Terminations



TABLE I: DIMENSIONS

Shell size	A +0 -0.2	C ±0.1	F Max.	G ±0.4	H ±0.1	ØM +0.1 0	L Max.
8	6.2	1.6	11.40	20.6	15.10	3.04	19.5
10	6.2	1.6	14.55	23.8	18.25	3.04	19.5
12	6.2	1.6	17.75	26.2	20.60	3.04	19.5
14	6.2	1.6	20.90	28.6	23.00	3.04	19.5
16	6.2	1.6	24.10	31.0	24.60	3.04	19.5
18	6.2	1.6	27.25	33.3	27.00	3.04	19.5
20	7.5	2.4	30.45	36.5	29.40	3.04	24.5
22	7.5	2.4	33.60	39.7	31.75	3.04	24.5
24	7.5	2.4	36.80	42.8	34.92	3.73	25.5

TABLE II: DIMENSIONS

Shell Size	Y		Y1		Y2		YS		YL		YM		YK	
	D ±0.4	E ±0.2	D ±0.4	E ±0.2	D ±0.4	E ±0.2	D ±0.4	E ±0.2	D ±0.4	E ±0.2	D ±0.4	E ±0.2	D ±0.4	E ±0.2
8	8.0	3.6	7.4	3.2	7.8	4.8	5.8	3.2	10.9	6.0	12.4	7.2	8.9	7.1
10	8.0	3.6	7.4	3.2	7.8	4.8	5.8	3.2	10.9	6.0	12.4	7.2	8.9	7.1
12	8.0	3.6	7.4	3.2	7.8	4.8	5.8	3.2	10.9	6.0	12.4	7.2	8.9	7.1
14	8.0	3.6	7.4	3.2	7.8	4.8	5.8	3.2	10.9	6.0	12.4	7.2	8.9	7.1
16	8.0	3.6	7.4	3.2	7.8	4.8	5.8	3.2	10.9	6.0	12.4	7.2	8.9	7.1
18	8.0	3.6	7.4	3.2	7.8	4.8	5.8	3.2	10.9	6.0	12.4	7.2	8.9	7.1
20	7.8	3.6	7.6	3.2	-	-	7.5	3.2	9.3	6.0	-	-	8.1	7.1
22	7.8	3.6	7.6	3.2	-	-	7.5	3.2	9.3	6.0	-	-	8.1	7.1
24	6.7	3.6	6.5	3.2	-	-	6.4	3.2	8.2	6.0	-	-	8.1	7.1

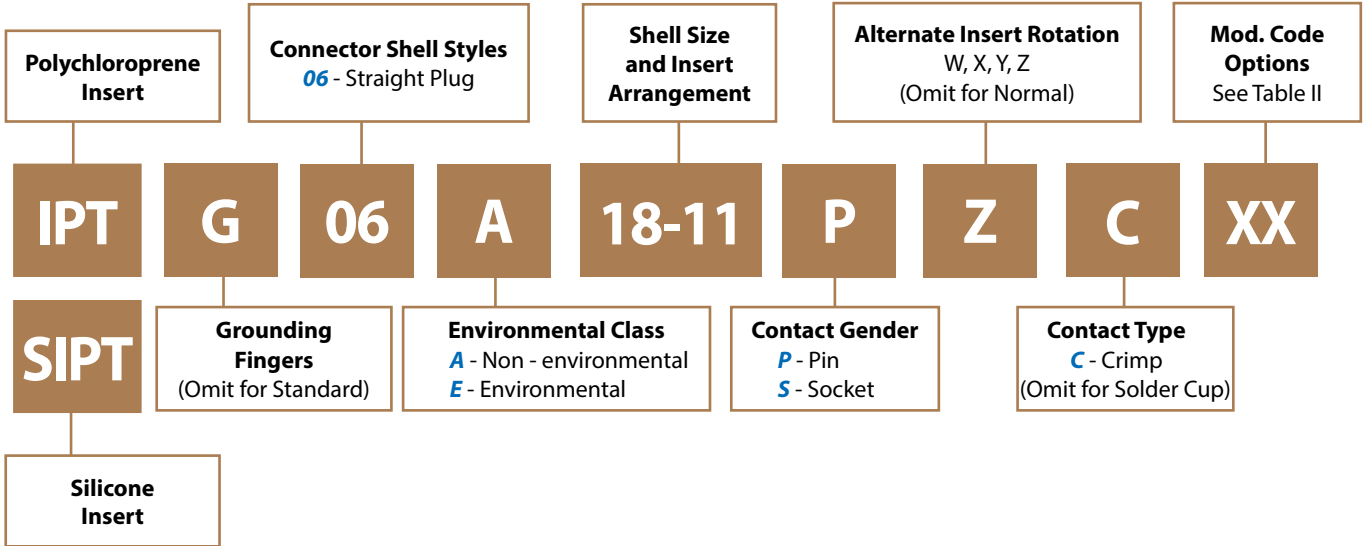
TABLE III: MODIFICATION CODES

FINISH OPTIONS	
Sym	Description and RoHS compliant
F6	Black Electrodeposited Paint
F7	Black Zinc Nickel
F11	Electroless Nickel
MB	Marine Bronze
Omit for standard version (Cadmium Olive Drab Finish)	

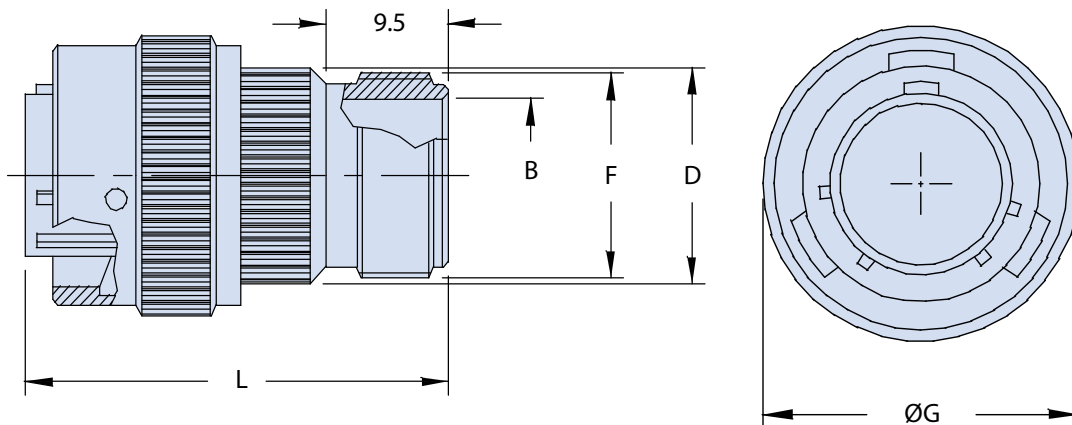


IPT 06 A

Straight Plug Connector with Backshell to Accommodate MS3057 Cable Clamp (Not Included)



C



- Application Notes**
1. Straight plug with backshell for attachment of cable clamp MS3057-A/B/C (not included).
 2. Connector Class "A" (non-environmental)--no grommet supplied.
 3. Connector Class "E" (environmental)--Wire sealing grommet supplied.
 4. Standard materials configuration consists of aluminum alloy.
 5. Standard contact material consists of copper alloy with gold plating over nickel.
 6. A broad range of other front and rear connector accessories are available. See our website and/or contact factory for complete information.
 7. Standard insert is high insulation synthetic rubber.

IPT 06 A
Straight Plug Connector
 with Backshell to Accommodate
 MS3057 Cable Clamp (Not Included)



TABLE I: DIMENSIONS

Shell size	B min.	D Max.	F Thread in inches	ØG ±0.2	L Max.
8	6.6	15.00	.5000 - 28 UNEF	18.10	45.90
10	9.2	18.20	.6250 - 24 UNEF	21.05	45.90
12	12.2	21.20	.7500 - 20 UNEF	25.15	45.90
14	15.2	24.60	.8750 - 20 UNEF	28.40	45.90
16	18.3	27.60	1.0000 - 20 UNEF	31.60	45.90
18	20.0	30.90	1.1875 - 18 UNEF	35.00	45.90
20	23.0	33.80	1.1875 - 18 UNEF	37.70	50.00
22	26.0	37.10	1.4375 - 18 UNEF	40.20	50.00
24	28.8	40.25	1.4375 - 18 UNEF	44.00	50.00

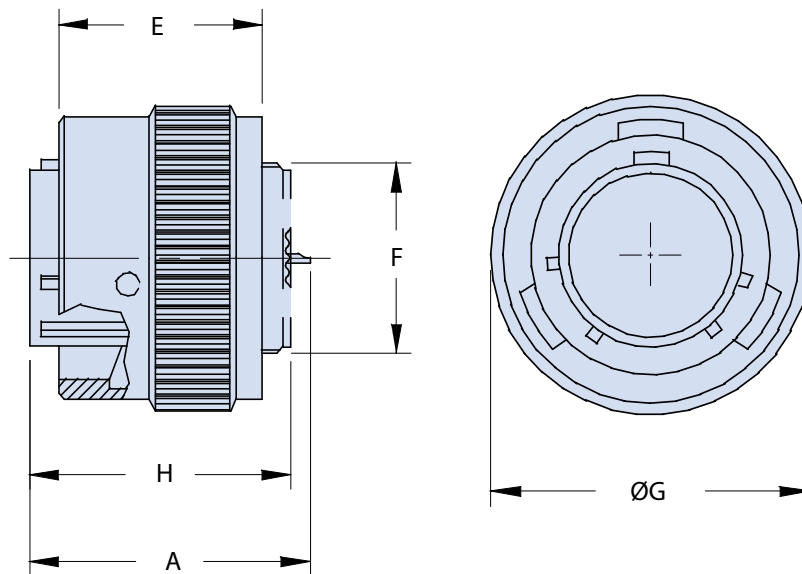
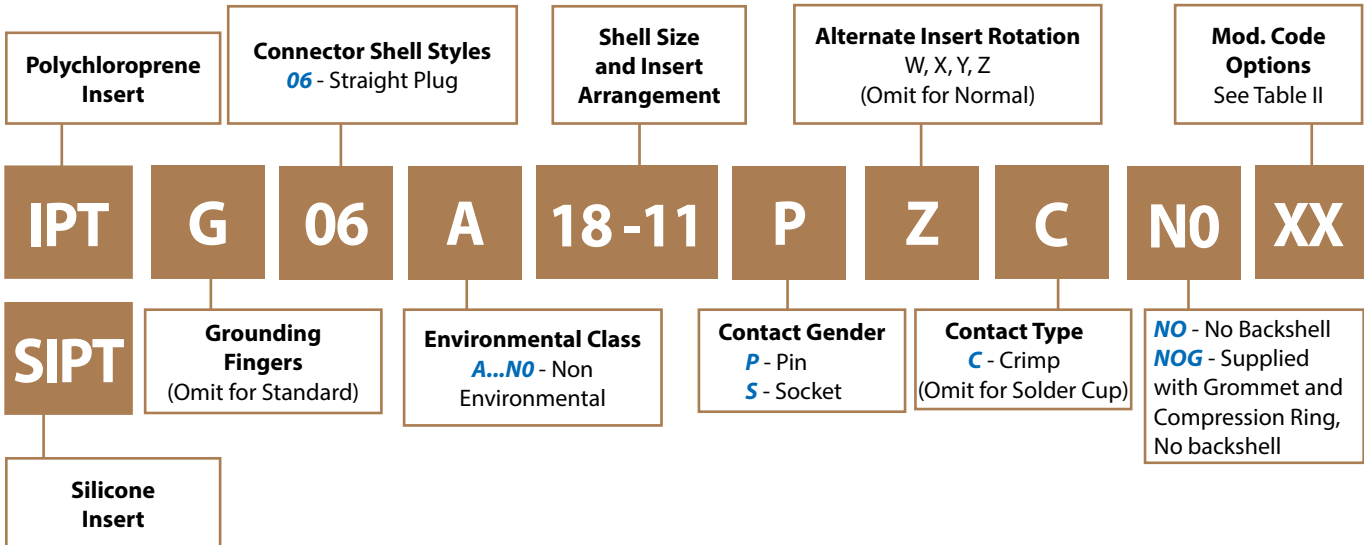
TABLE II: MODIFICATION CODES

CONTACT OPTIONS	
Sym	Description
B0	Connector Without Contacts (Only for crimp version)
FINISH OPTIONS	
Sym	Description and RoHS compliant
F6	Black Electrodeposited Paint
F7	Black Zinc Nickel
F11	Electroless Nickel
MB	Marine Bronze
Omit for standard version (Cadmium Olive Drab Finish)	





IPT 06 A...N0 Straight Plug Connector with Accessory Threads



Application Notes

1. Straight plug without backshell.
2. Connector Class "A" (non-environmental)—no grommet supplied.
3. Connector Class "A..N0G" (non-environmental)—supplied with grommet and compression ring, no backshell.
4. Standard materials configuration consists of aluminum alloy.
5. Standard contact material consists of copper alloy with gold plating over nickel.
6. A broad range of other front and rear connector accessories are available. See our website and/or contact factory for complete information.
6. Standard insert is high insulation synthetic rubber.

IPT 06 A...N0
Straight Plug Connector
with Accessory Threads

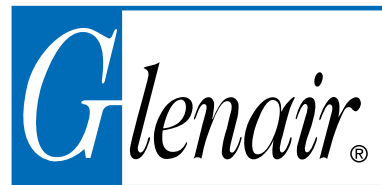


TABLE I: DIMENSIONS

Shell size	A Max.	H ±0.2	E ±0.2	ØG ±0.2	F Thread in inches
8	25.4	21.4	18	18.10	.4375 - 28 UNEF
10	25.4	21.4	18	21.05	.5625 - 24 UNEF
12	25.4	21.4	18	25.15	.6875 - 24 UNEF
14	25.4	21.4	18	28.40	.8125 - 20 UNEF
16	25.4	21.4	18	31.60	.9375 - 20 UNEF
18	25.4	21.4	18	35.00	1.0625 - 18 UNEF
20	27.8	25.4	19	37.70	1.1875 - 18 UNEF
22	27.8	25.4	19	40.20	1.3125 - 18 UNEF
24	29.4	27.0	20	44.00	1.4375 - 18 UNEF

TABLE II: MODIFICATION CODES

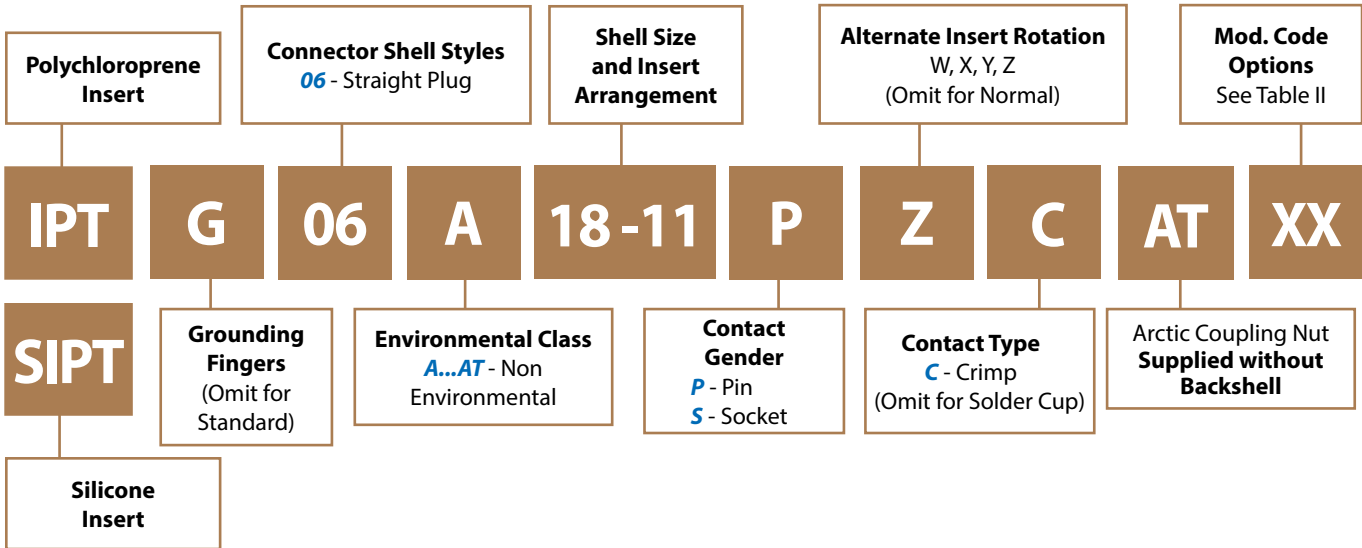
CONTACT OPTIONS	
Sym	Description
B0	Connector Without Contacts (Only for crimp version)
FINISH OPTIONS	
Sym	Description and RoHS compliant
F6	Black Electrodeposited Paint
F7	Black Zinc Nickel
F11	Electroless Nickel
MB	Marine Bronze
Omit for standard version (Cadmium Olive Drab Finish)	



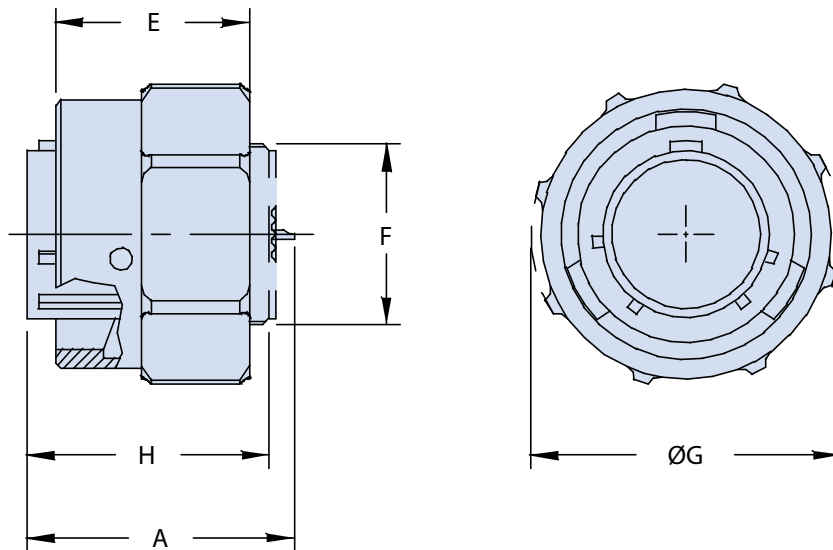
IPT 06 A... AT

Straight Plug Connector

with Accessory Threads and Arctic Coupling Nut



C



Application Notes

1. Straight plug with Arctic coupling nut (IAW BS9522 F0017).
2. Connector Class "A" (non-environmental)—no grommet supplied.
3. Standard materials configuration consists of aluminum alloy.
4. Standard contact material consists of copper alloy with gold plating over nickel.
5. A broad range of other front and rear connector accessories are available. See our website and/or contact factory for complete information.
6. Standard insert is high insulation synthetic rubber.

IPT 06 A...AT
Straight Plug Connector
with Accessory Threads and Arctic Coupling Nut



TABLE I: DIMENSIONS

Shell size	A Max.	H ±0.2	E ±0.2	ØG ±0.2	F Thread in inches
8	25.4	21.4	18	22.5	.4375 - 28 UNEF
10	25.4	21.4	18	24.8	.5625 - 24 UNEF
12	25.4	21.4	18	30.2	.6875 - 24 UNEF
14	25.4	21.4	18	33.6	.8125 - 20 UNEF
16	25.4	21.4	18	37.3	.9375 - 20 UNEF
18	25.4	21.4	18	39.7	1.0625 - 18 UNEF
20	27.8	25.4	19	43.3	1.1875 - 18 UNEF
22	27.8	25.4	19	47.6	1.3125 - 18 UNEF
24	29.4	27.0	20	49.7	1.4375 - 18 UNEF

For accessories and external dimensions see IPT06.

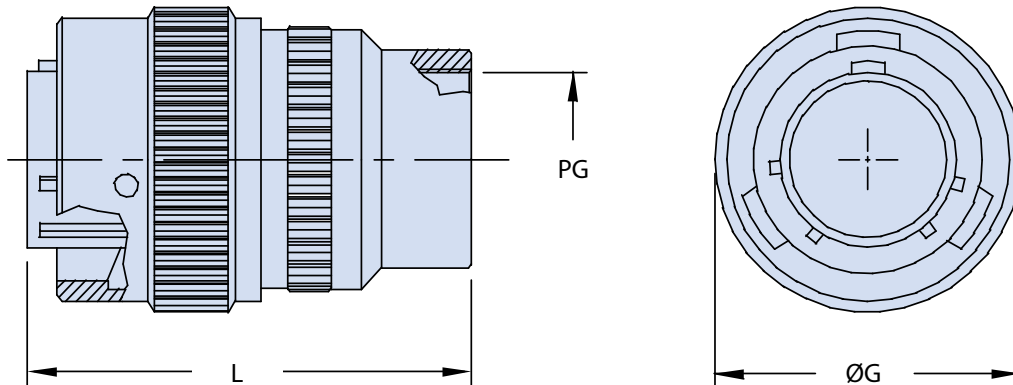
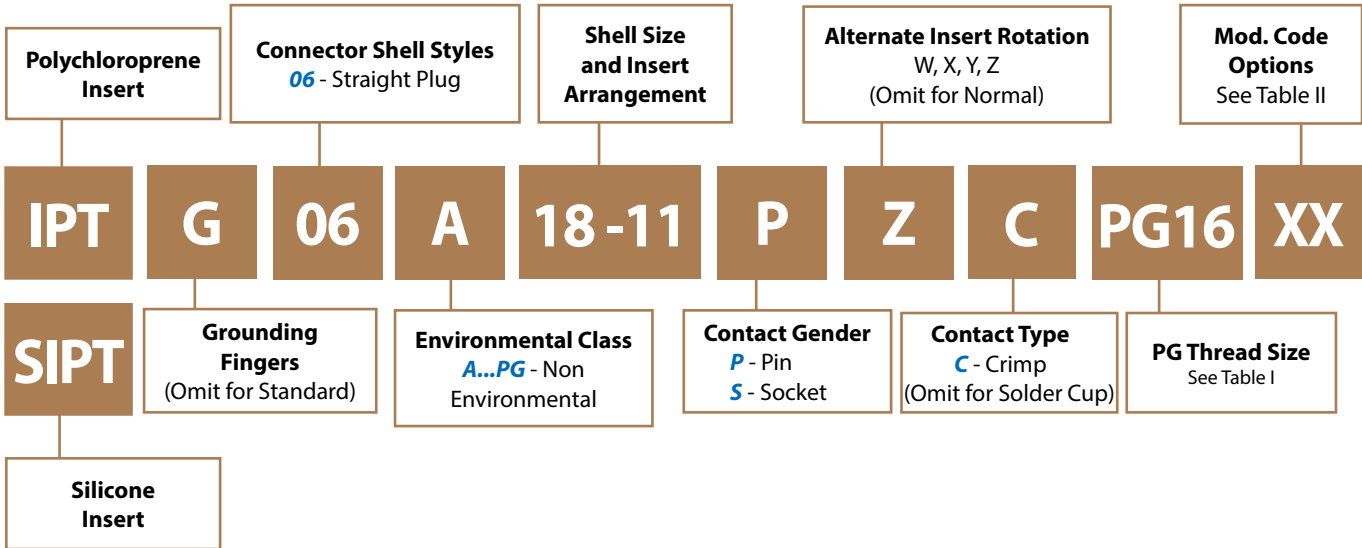
TABLE II: MODIFICATION CODES

CONTACT OPTIONS	
Sym	Description
B0	Connector Without Contacts (Only for crimp version)
FINISH OPTIONS	
Sym	Description and RoHS compliant
F6	Black Electrodeposited Paint
F7	Black Zinc Nickel
F11	Electroless Nickel
MB	Marine Bronze
Omit for standard version (Cadmium Olive Drab Finish)	





IPT 06 A...PG__ Straight Plug Connector with PG Threaded Backshell



Application Notes

1. Straight plug with backshell for use with PG glands (not included). Other PG sizes and types available upon request.
2. Connector Class "A" (non-environmental)—no grommet supplied.
3. Standard materials configuration consists of aluminum alloy.
4. Standard contact material consists of copper alloy with gold plating over nickel.
5. A broad range of other front and rear connector accessories are available. See our website and/or contact factory for complete information.
6. Standard insert is high insulation synthetic rubber.

IPT 06 A...PG __
Straight Plug Connector
with PG Threaded Backshell



TABLE I: DIMENSIONS

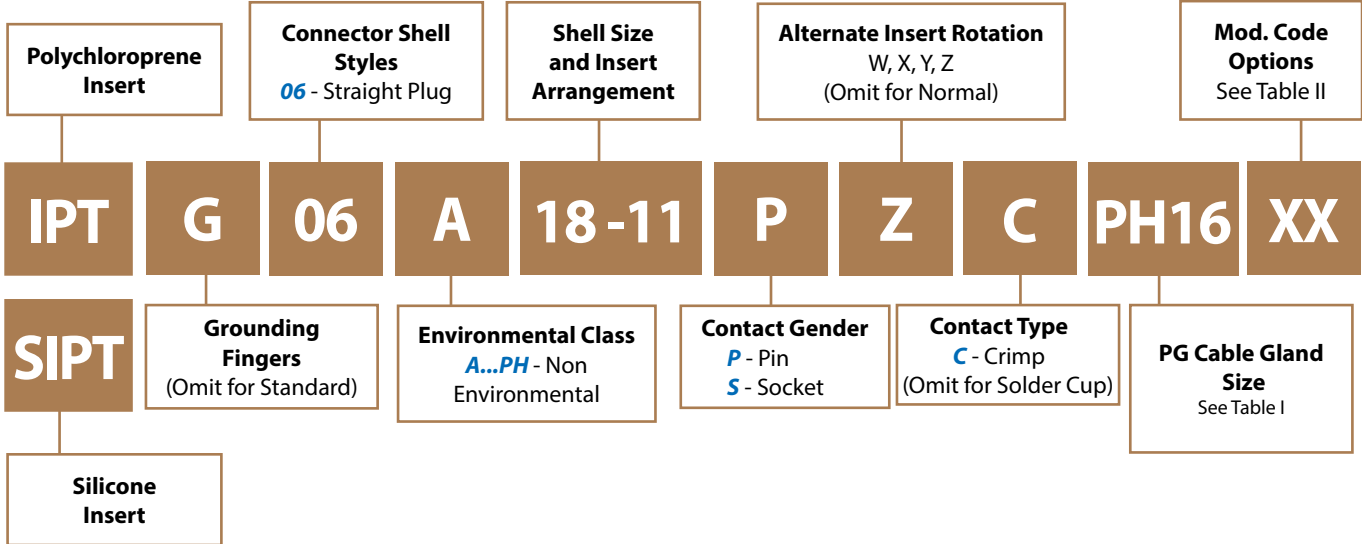
Shell size	L Max	PG Thread	ØG ±0.2
8	41	7 / 9	18.10
10	41	9	21.05
12	51	11	25.15
14	51	11 / 13.5 / 16	28.40
16	56	11 / 13.5 / 16	31.60
18	56	13.5 / 16	35.00
20	57	13.5 / 16	37.70
22	62	13.5 / 16 / 21	40.20
24	64	13.5 / 16 / 21	44.00

TABLE II: MODIFICATION CODES

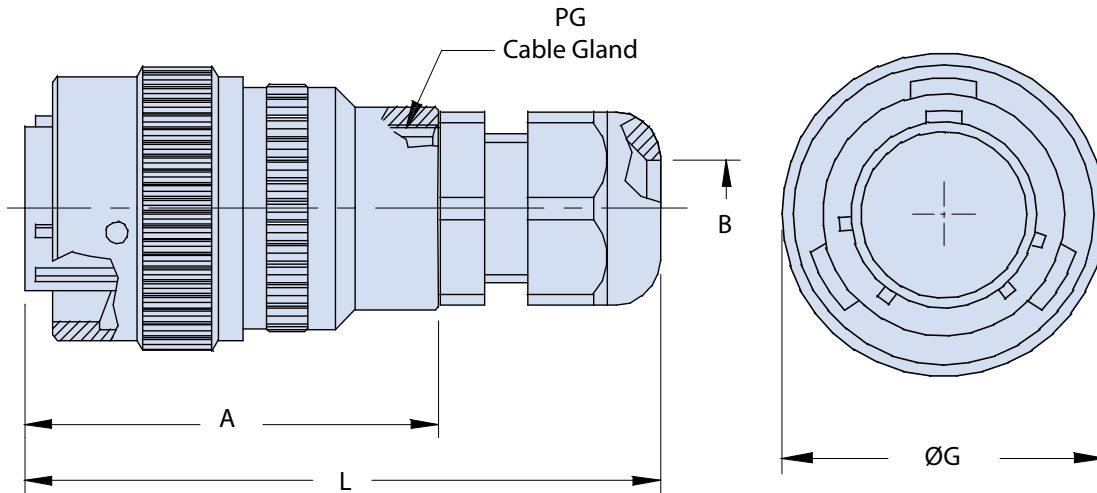
CONTACT OPTIONS	
Sym	Description
B0	Connector Without Contacts (Only for crimp version)
FINISH OPTIONS	
Sym	Description and RoHS compliant
F6	Black Electrodeposited Paint
F7	Black Zinc Nickel
F11	Electroless Nickel
MB	Marine Bronze
Omit for standard version (Cadmium Olive Drab Finish)	



IPT 06 A...PH__ Straight Plug Connector with Backshell and PG Cable Gland



C



Application Notes

1. Straight plug with backshell and plastic PG cable gland. Other types of PG adapters can be supplied in various sizes upon request.
2. Connector Class "A" (non-environmental)—no grommet supplied.
3. Standard materials configuration consists of aluminum alloy.
4. Standard contact material consists of copper alloy with gold plating over nickel.
5. A broad range of other front and rear connector accessories are available. See our website and/or contact factory for complete information.
6. Standard insert is high insulation synthetic rubber.

IPT 06 A...PH__
Straight Plug Connector
with Backshell and PG Cable Gland



TABLE I: DIMENSIONS

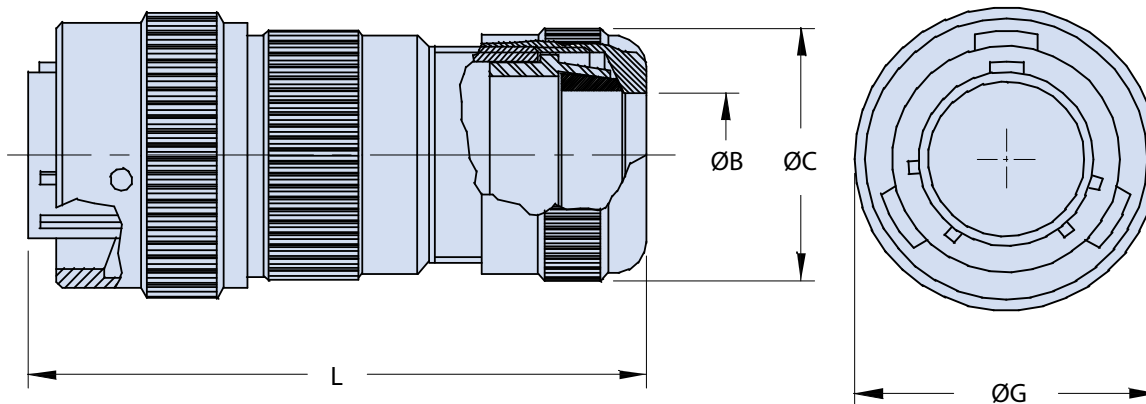
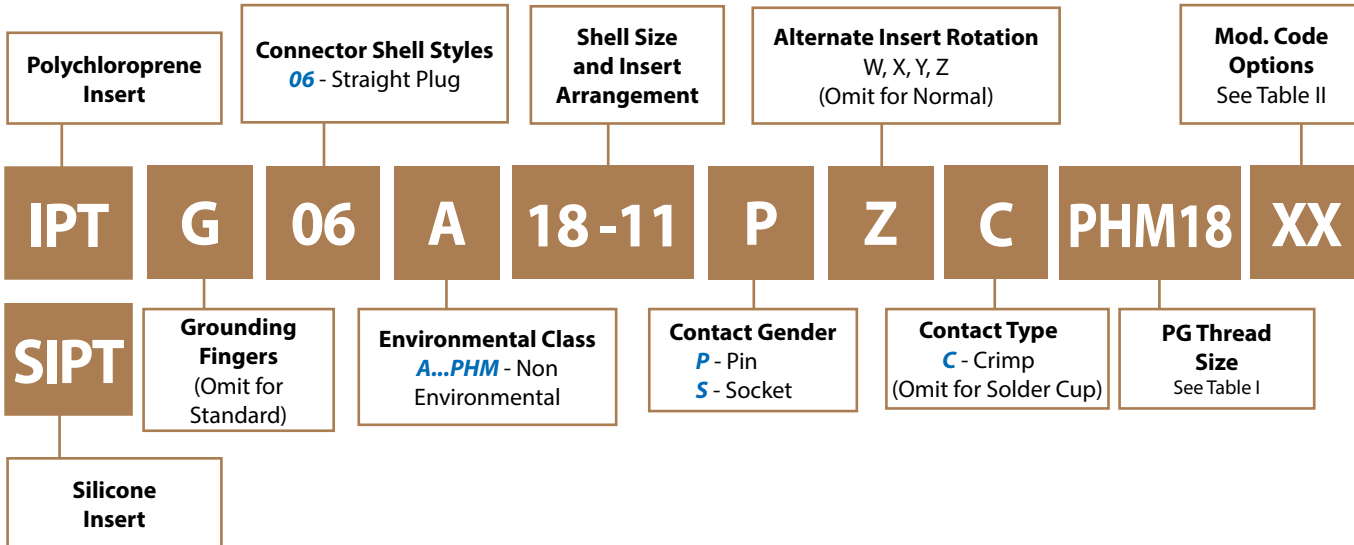
Shell size	A Max	B min. - max.	PG Cable Gland Size	L Max.	ØG ±0.2
8	41	3 - 6.5 / 4 - 8	7 / 9	65.00	18.10
10	41	4 - 8	9	65.00	21.05
12	51	5 - 10	11	77.50	25.15
14	51	5 - 10 / 6 - 12 / 9 - 14	11 / 13.5 / 16	81.00	28.40
16	56	5 - 10 / 6 - 12 / 9 - 14	11 / 13.5 / 16	86.00	31.60
18	56	6 - 12 / 9 - 14	13.5 / 16	86.00	35.00
20	57	6 - 12 / 9 - 14	13.5 / 16	87.00	37.70
22	62	6 - 12 / 9 - 14 / 13 - 18	13.5 / 16 / 21	98.00	40.20
24	64	6 - 12 / 9 - 14 / 13 - 18	13.5 / 16 / 21	100.00	44.00

TABLE II: MODIFICATION CODES

CONTACT OPTIONS	
Sym	Description
B0	Connector Without Contacts (Only for crimp version)
FINISH OPTIONS	
Sym	Description and RoHS compliant
F6	Black Electrodeposited Paint
F7	Black Zinc Nickel
F11	Electroless Nickel
MB	Marine Bronze
Omit for standard version (Cadmium Olive Drab Finish)	



IPT 06 A...PHM_ _
Straight Plug Connector
with PHM Backshell
and Sleeves to Accommodate Various Cable Sizes



Application Notes

1. Straight plug with PHM backshell includes rubber sleeves to allow use of different diameter cables.
2. Connector Class "A" (non-environmental)—no grommet supplied.
3. Standard materials configuration consists of aluminum alloy.
4. Standard contact material consists of copper alloy with gold plating over nickel.
5. A broad range of other front and rear connector accessories are available. See our website and/or contact factory for complete information.
6. Standard insert is high insulation synthetic rubber.

IPT 06 A...PHM__
Straight Plug Connector
with PHM Backshell
and Sleeves to Accommodate Various Cable Sizes



TABLE I: DIMENSIONS

Shell size	P.N. PHM	ØB min. - Max.	ØC Max.	ØG ±0.2	L Max.
8	7	2 - 7	15	18.10	55.00
10	9	2 - 9	21	21.05	55.00
12	11	2 - 11	24	25.15	65.00
14	11	2 - 11	24	28.40	65.00
16	11	2 - 11	24	31.60	65.00
18	11 / 18	2 - 11 / 9 - 16.5	42	35.00	80.00
20	18	9 - 16.5	42	37.70	80.00
22	18	9 - 16.5	42	40.20	80.00
24	18 / 22 / 24	9 - 16.5 / 15 - 20 / 19 - 24	42	44.00	80.00

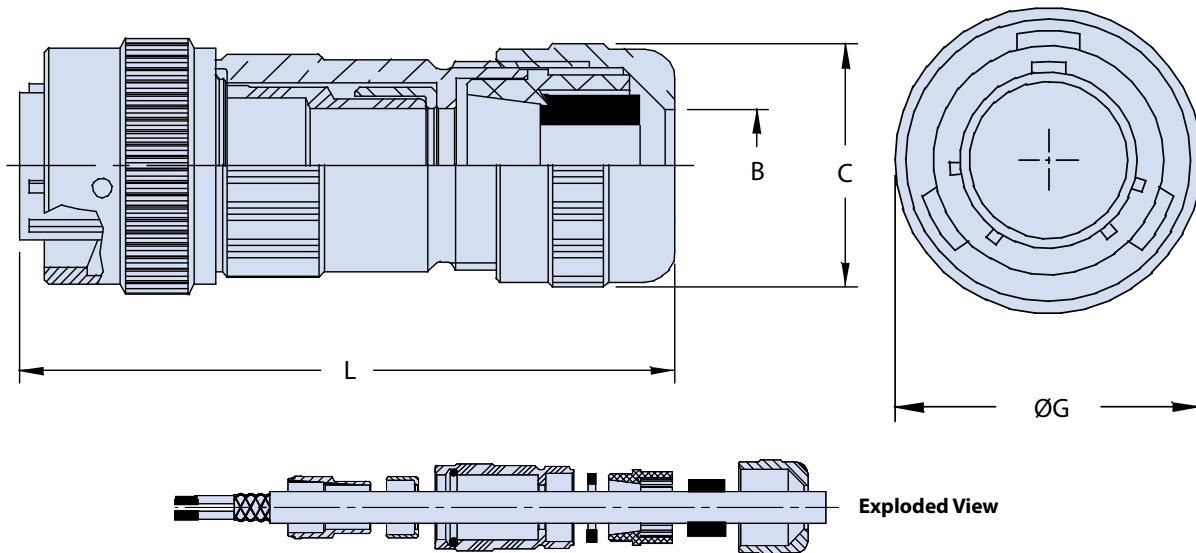
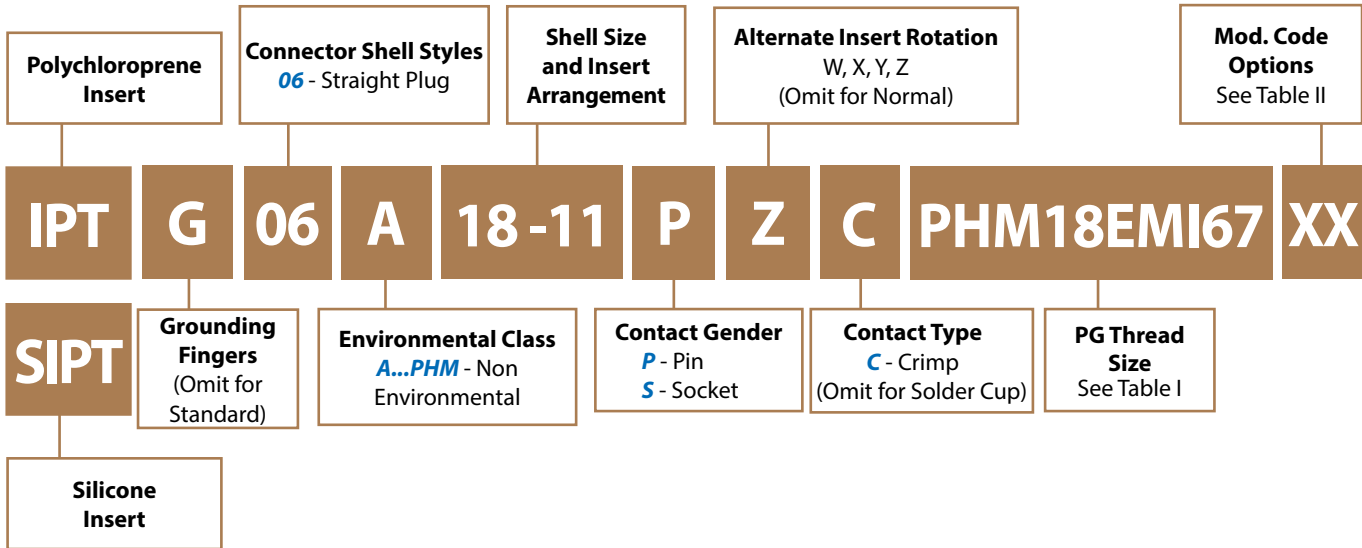
TABLE II: MODIFICATION CODES

CONTACT OPTIONS	
Sym	Description
B0	Connector Without Contacts (Only for crimp version)
FINISH OPTIONS	
Sym	Description and RoHS compliant
F6	Black Electrodeposited Paint
F7	Black Zinc Nickel
F11	Electroless Nickel
MB	Marine Bronze
Omit for standard version (Cadmium Olive Drab Finish)	





IPT 06 A...PHM__EMI67 Straight Plug Connector with Backshell for EMI Shield Termination



Application Notes

1. Straight plug with PHM backshell includes rubber sleeves to allow use of different diameter cables.
2. Connector Class "A" (non-environmental)—no grommet supplied. PHM connector accessory provides environmental sealing to IP67.
3. Standard materials configuration consists of aluminum alloy.
4. Standard contact material consists of copper alloy with gold plating over nickel.
5. A broad range of other front and rear connector accessories are available. See our website and/or contact factory for complete information.
6. Standard insert is high insulation synthetic rubber.

IPT 06 A...PHM__EMI67
Straight Plug Connector
with Backshell for EMI Shield Termination



TABLE I: DIMENSIONS

Shell size	P.N. PHM	B min. - max.	C Max.	ØG ±0.2	L Max.
8	7	2 - 7	15.0	18.10	75
10	9	2 - 9	21.0	21.05	75
12	11	2 - 11	24.0	25.15	85
14	11	2 - 11	24.0	28.40	85
16	11	2 - 11	24.0	31.60	85
18	11 / 18	2 - 11 / 9 - 16.5	42.0	35.00	100
20	18	9 - 16.5	42.0	37.70	100
22	18	9 - 16.5	42.0	40.20	100
24	18 / 22 / 24	9 - 16.5 / 15 - 20 / 19 - 24	42.0	44.00	100

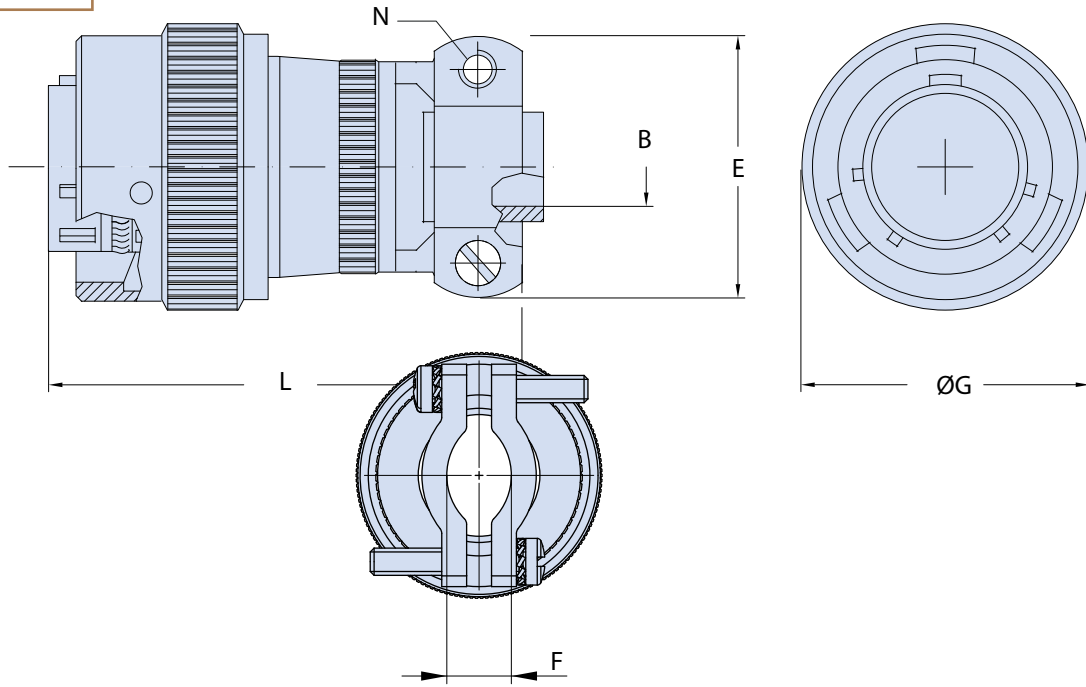
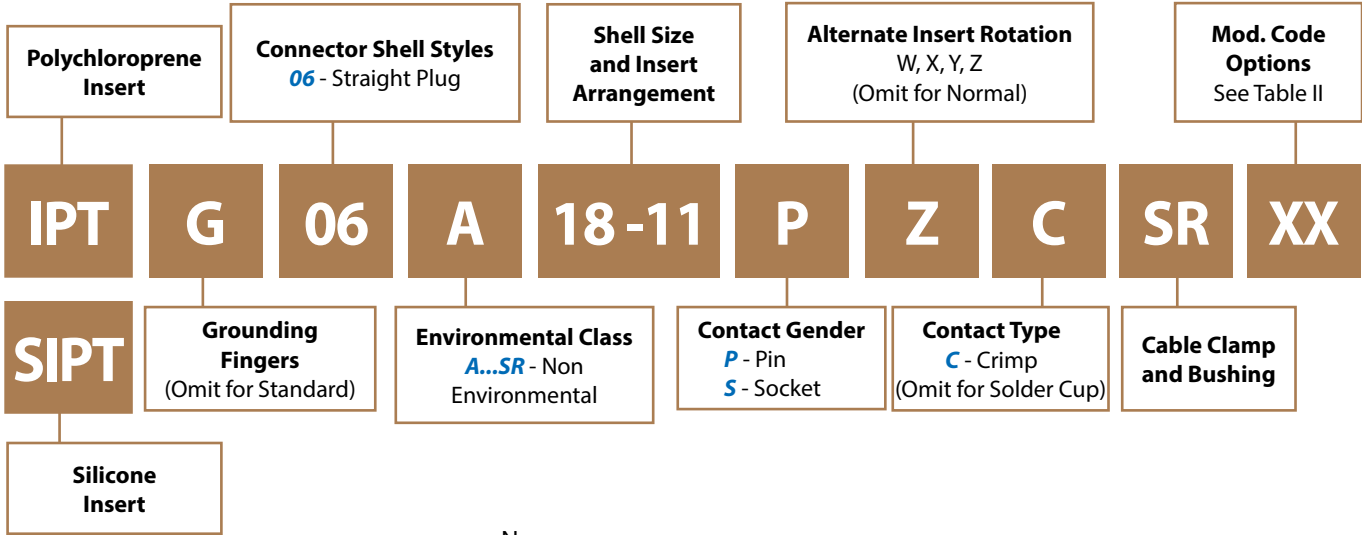
TABLE II: MODIFICATION CODES

CONTACT OPTIONS	
Sym	Description
B0	Connector Without Contacts (Only for crimp version)
FINISH OPTIONS	
Sym	Description and RoHS compliant
F7	Black Zinc Nickel
F11	Electroless Nickel
MB	Marine Bronze
Omit for standard version (Cadmium Olive Drab Finish)	



IPT 06 A...SR

Straight Plug Connector with Backshell, Cable Clamp and Bushing



Application Notes

1. Straight plug with cable clamp and bushing.
2. Connector Class "A" (non-environmental)—no grommet supplied.
3. Standard materials configuration consists of aluminum alloy.
4. Standard contact material consists of copper alloy with gold plating over nickel.
5. A broad range of other front and rear connector accessories are available. See our website and/or contact factory for complete information.
6. Standard insert is high insulation synthetic rubber.

IPT 06 A...SR
Straight Plug Connector
with Backshell, Cable Clamp and Bushing



TABLE I: DIMENSIONS

Shell size	B ±0.25	F (*) ±0.75	E ±0.2	ØG ±0.2	L Max.	N Thread
8	3.2	4	19.10	18.10	48.5	6 - 32
10	4.8	4	20.70	21.05	48.5	6 - 32
12	7.9	6,4	23.90	25.15	48.5	6 - 32
14	9.5	7,5	27.00	28.40	48.5	6 - 32
16	12.7	8,3	28.60	31.60	52.0	6 - 32
18	15.9	11,3	35.00	35.00	52.0	8 - 32
20	15.9	12,7	35.00	37.70	59.0	8 - 32
22	19.0	16,3	39.75	40.20	59.0	8 - 32
24	20.3	16,3	42.10	44.00	61.0	8 - 32

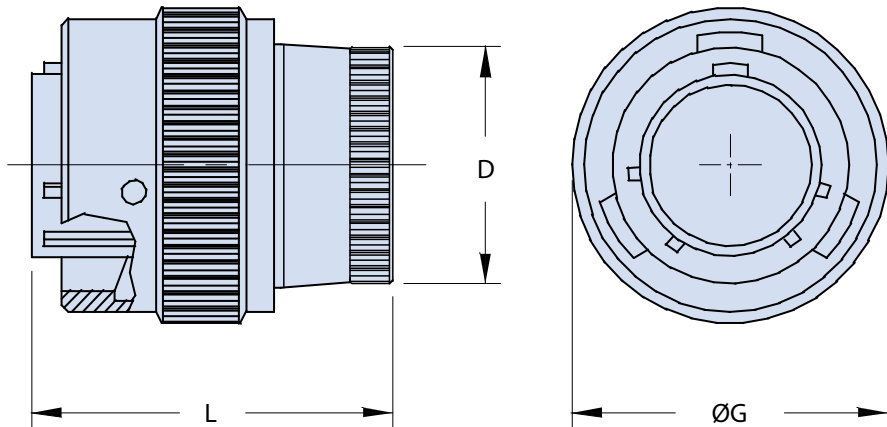
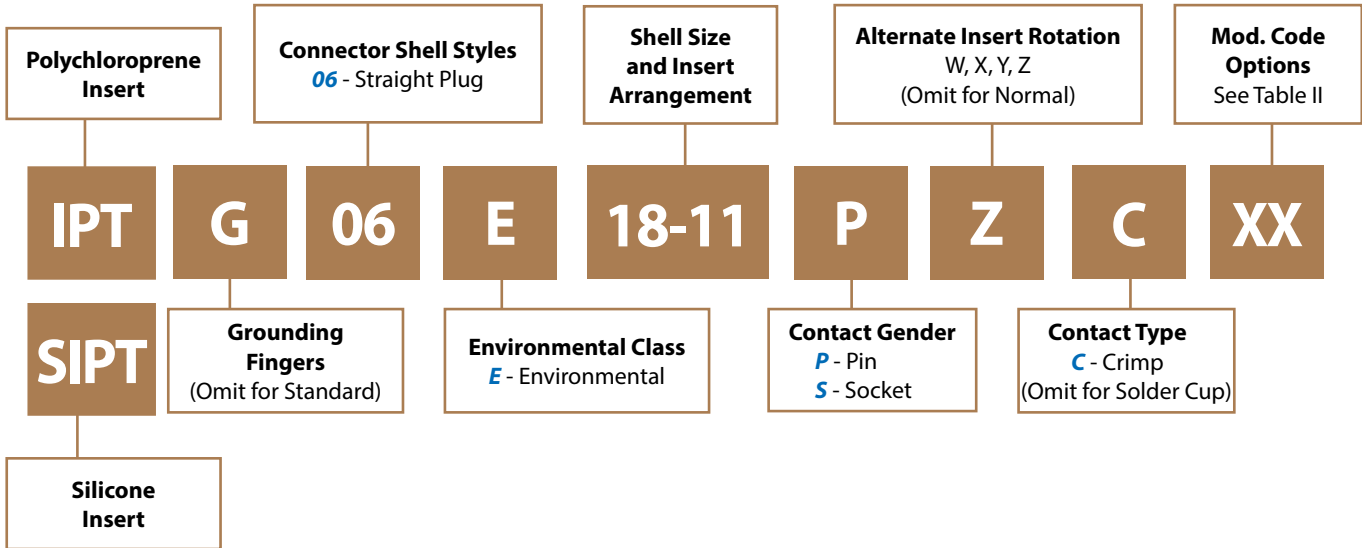
(*) Cable clamp cleats fully closed.

TABLE II: MODIFICATION CODES

CONTACT OPTIONS	
Sym	Description
B0	Connector Without Contacts (Only for crimp version)
FINISH OPTIONS	
Sym	Description and RoHS compliant
F6	Black Electrodeposited Paint
F7	Black Zinc Nickel
F11	Electroless Nickel
MB	Marine Bronze
Omit for standard version (Cadmium Olive Drab Finish)	



IPT 06 E Straight Plug Connector with General Duty Backshell



Application Notes

1. Straight plug with grommet and simple backshell for use with open wire bundles.
2. Connector Class "E" (environmental)—Wire sealing grommet supplied.
3. Standard materials configuration consists of aluminum alloy.
4. Standard contact material consists of copper alloy with gold plating over nickel.
5. A broad range of other front and rear connector accessories are available. See our website and/or contact factory for complete information.
6. Standard insert is high insulation synthetic rubber.

IPT 06 E
Straight Plug Connector
with General Duty Backshell

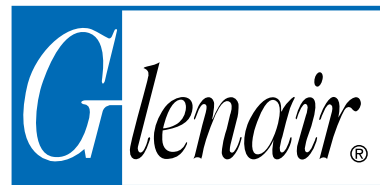


TABLE I: DIMENSIONS

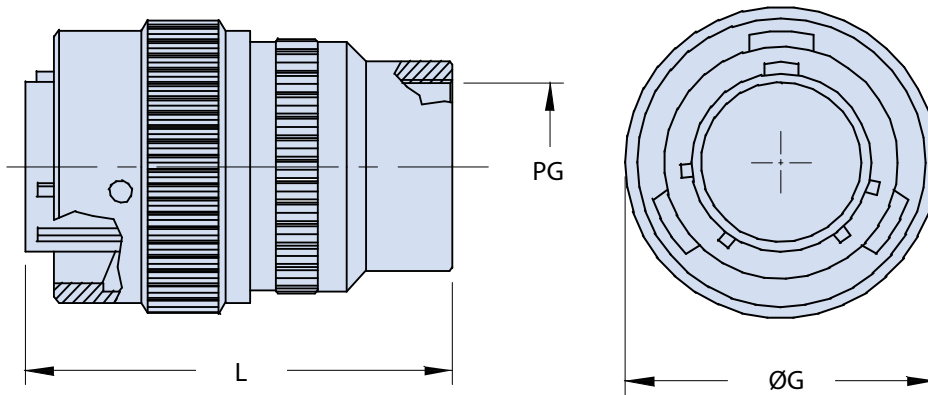
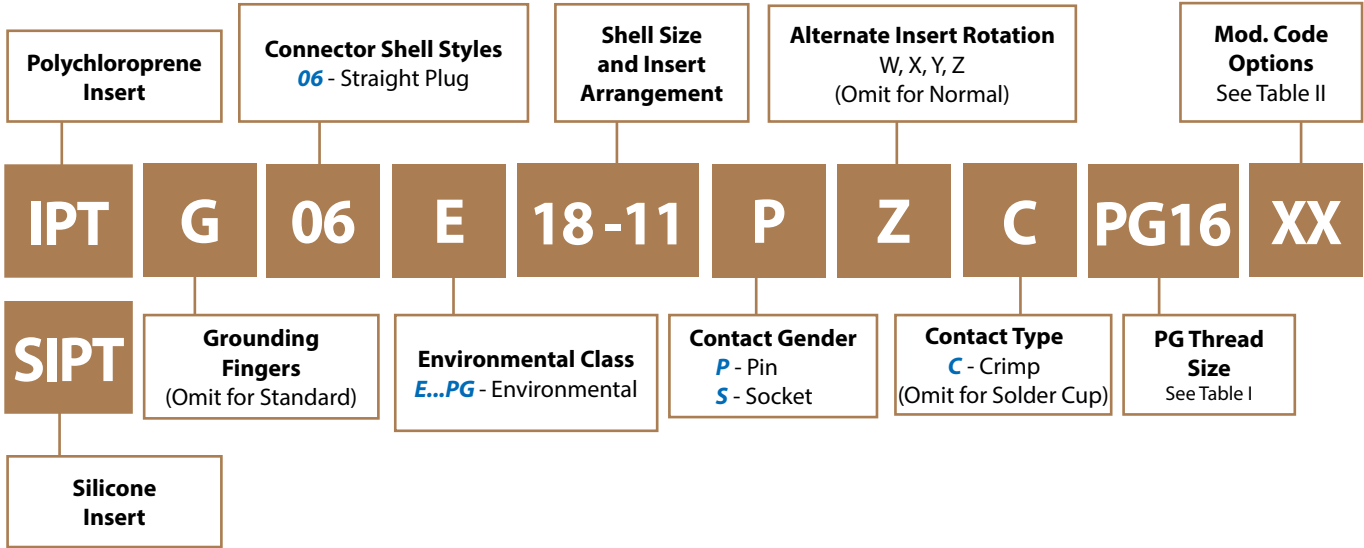
Shell size	D Max.	ØG ±0.2	L Max.
8	14.20	18.10	32.15
10	17.40	21.05	32.15
12	20.65	25.15	32.15
14	23.60	28.40	32.15
16	26.85	31.60	32.15
18	29.85	35.00	32.15
20	33.00	37.70	36.50
22	36.30	40.20	36.50
24	39.50	44.00	38.10

TABLE II: MODIFICATION CODES

CONTACT OPTIONS	
Sym	Description
B0	Connector Without Contacts (Only for crimp version)
FINISH OPTIONS	
Sym	Description and RoHS compliant
F6	Black Electrodeposited Paint
F7	Black Zinc Nickel
F11	Electroless Nickel
MB	Marine Bronze
Omit for standard version (Cadmium Olive Drab Finish)	



IPT 06 E...PG__ Straight Plug Connector with PG Threaded Backshell



Application Notes

1. Straight plug with backshell for use with PG glands (not included). Other PG sizes and types available upon request.
2. Connector Class "E" (environmental)—Wire sealing grommet supplied.
3. Standard materials configuration consists of aluminum alloy.
4. Standard contact material consists of copper alloy with gold plating over nickel.
5. A broad range of other front and rear connector accessories are available. See our website and/or contact factory for complete information.
6. Standard insert is high insulation synthetic rubber.

IPT 06 E...PG __
Straight Plug Connector
with PG Threaded Backshell

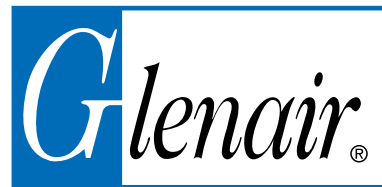


TABLE I: DIMENSIONS

Shell size	L Max	PG Thread	ØG ±0.2
8	41	7 / 9	18.10
10	41	9	21.05
12	51	11	25.15
14	51	11 / 13.5 / 16	28.40
16	56	11 / 13.5 / 16	31.60
18	56	13.5 / 16	35.00
20	57	13.5 / 16	37.70
22	62	13.5 / 16 / 21	40.20
24	64	13.5 / 16 / 21	44.00

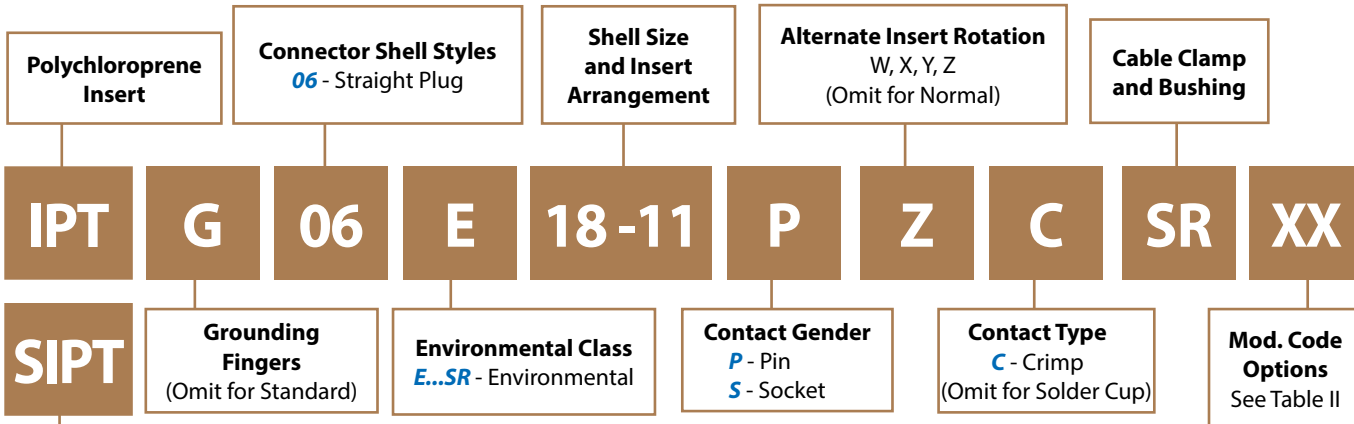
TABLE II: MODIFICATION CODES

CONTACT OPTIONS	
Sym	Description
B0	Connector Without Contacts (Only for crimp version)
FINISH OPTIONS	
Sym	Description and RoHS compliant
F6	Black Electrodeposited Paint
F7	Black Zinc Nickel
F11	Electroless Nickel
MB	Marine Bronze
Omit for standard version (Cadmium Olive Drab Finish)	

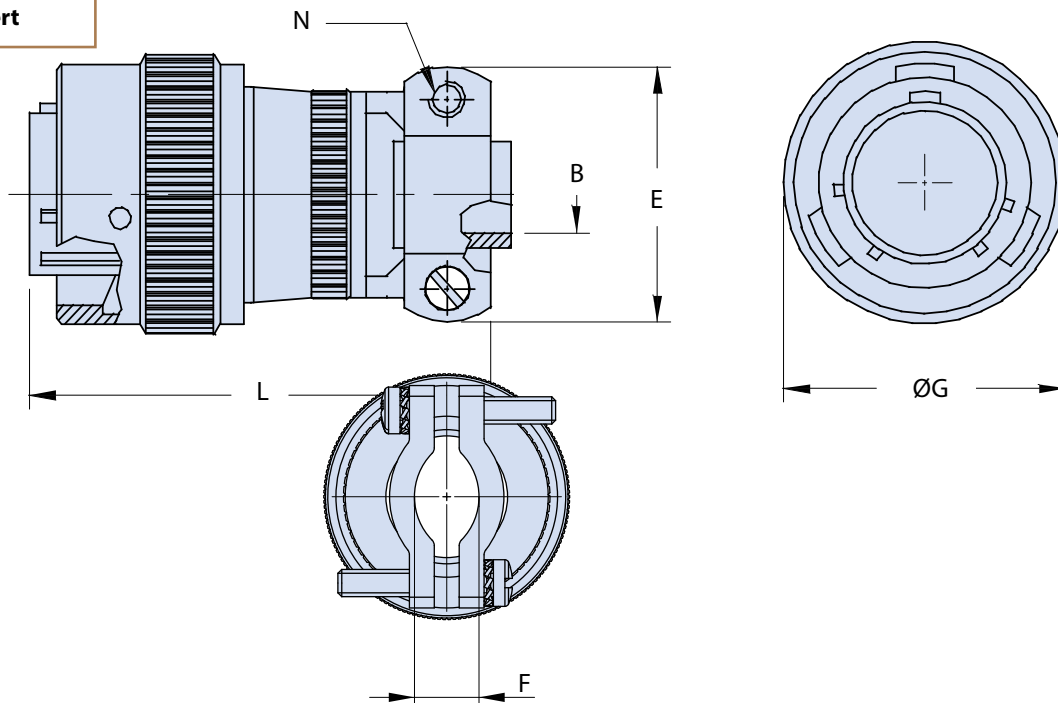


IPT 06 E...SR

Straight Plug Connector with Backshell, Cable Clamp and Bushing



Silicone Insert



Application Notes

1. Straight plug with cable clamp and bushing for cable protection.
2. Connector Class "E" (environmental)—Wire sealing grommet supplied.
3. Standard materials configuration consists of aluminum alloy.
4. Standard contact material consists of copper alloy with gold plating over nickel.
5. A broad range of other front and rear connector accessories are available. See our website and/or contact factory for complete information.
6. Standard insert is high insulation synthetic rubber.

IPT 06 E...SR
Straight Plug Connector
with Backshell, Cable Clamp and Bushing



TABLE I: DIMENSIONS

Shell size	B ±0.25	F (*) ±0.75	C min.	E ±0.2	ØG ±0.2	L Max.	N Thread
8	3.2	4	6.10	19.10	18.10	48.5	6 - 32
10	4.8	4	7.70	20.70	21.05	48.5	6 - 32
12	7.9	6,4	10.90	23.90	25.15	48.5	6 - 32
14	9.5	7,5	14.00	27.00	28.40	48.5	6 - 32
16	12.7	8,3	15.60	28.60	31.60	52.0	6 - 32
18	15.9	11,3	18.80	35.00	35.00	52.0	8 - 32
20	15.9	12,7	18.80	35.00	37.70	59.0	8 - 32
22	19.0	16,3	23.60	39.75	40.20	59.0	8 - 32
24	20.3	16,3	25.15	42.10	44.00	61.0	8 - 32

(*) Cable clamp cleats fully closed.

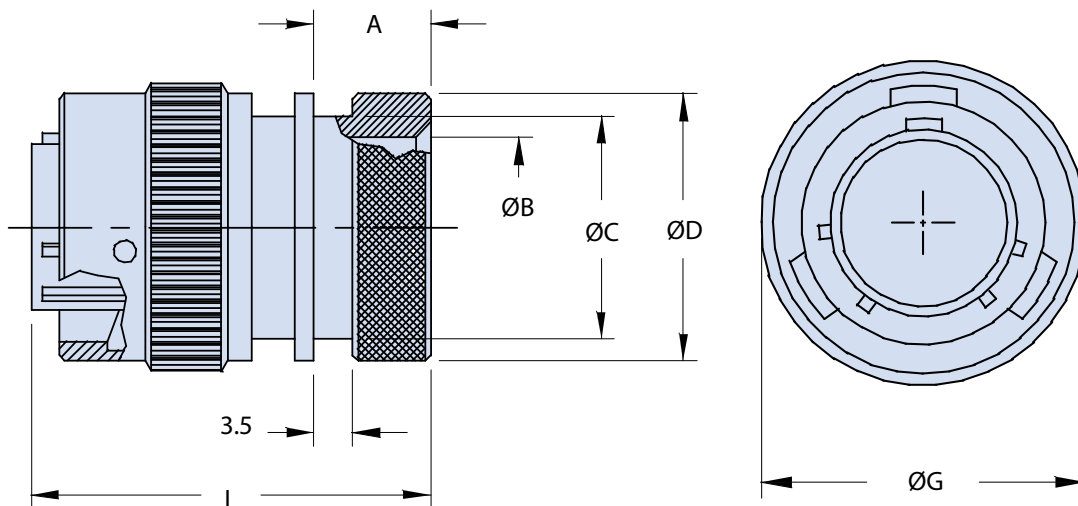
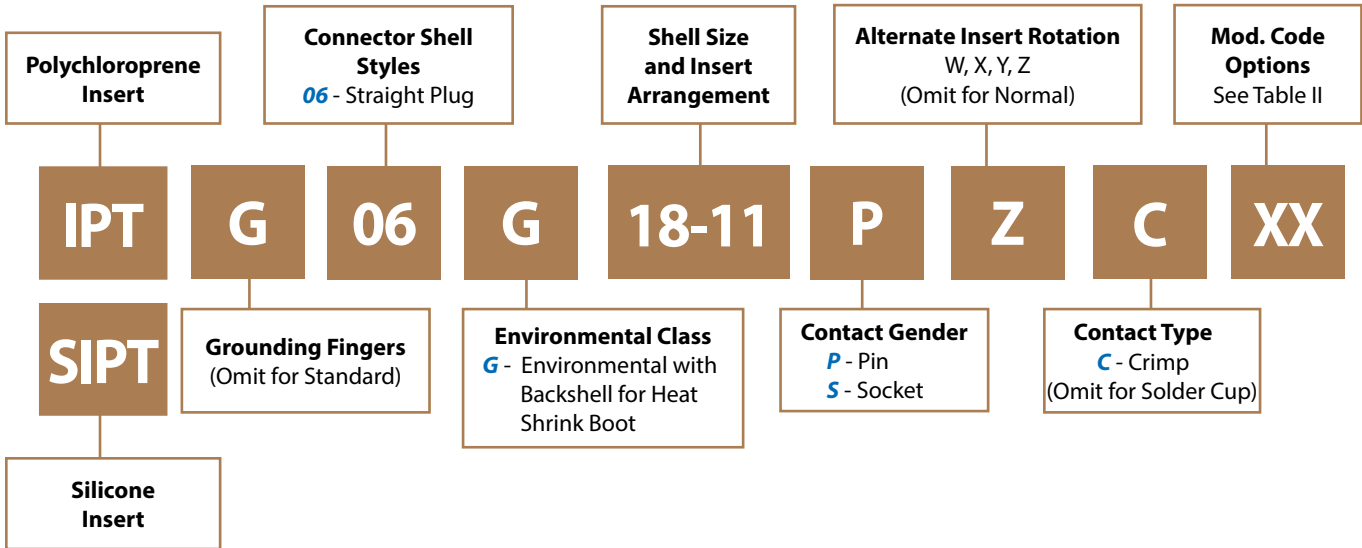
TABLE II: MODIFICATION CODES

CONTACT OPTIONS	
Sym	Description
B0	Connector Without Contacts (Only for crimp version)
FINISH OPTIONS	
Sym	Description and RoHS compliant
F6	Black Electrodeposited Paint
F7	Black Zinc Nickel
F11	Electroless Nickel
MB	Marine Bronze
Omit for standard version (Cadmium Olive Drab Finish)	





IPT 06 G Straight Plug Connector with Backshell for Heat Shrink Boot



Application Notes

1. Straight plug with backshell suitable for heat shrink boot; Environmental, connector includes wire sealing grommet.
2. Standard materials configuration consists of aluminum alloy.
3. Connector/Backshell Class "G" (environmental)--Wire sealing grommet supplied.
4. Standard contact material consists of copper alloy with gold plating over nickel.
5. A broad range of other front and rear connector accessories are available. See our website and/or contact factory for complete information.
6. Standard insert is high insulation synthetic rubber.

IPT 06 G
Straight Plug Connector
with Backshell for Heat Shrink Boot



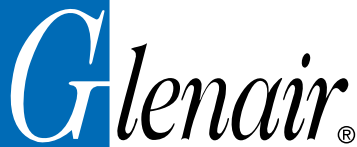
TABLE I: DIMENSIONS

Shell size	A ±0,1	ØB +0.1 -0	ØC +0 -0.1	ØD +0 -0.3	L Max.	ØG ±0.2
8	12.2	8.20	13.0	15.5	43.5	18.10
10	12.2	11.40	15.8	18.3	42.0	21.05
12	12.2	14.55	21.0	23.6	42.0	25.15
14	12.2	17.50	21.8	24.4	42.0	28.40
16	14.5	20.60	25.9	29.7	44.0	31.60
18	14.5	23.15	28.2	31.9	44.5	35.00
20	15.8	26.50	32.2	36.0	47.0	37.70
22	15.8	29.60	34.5	38.4	47.0	40.20
24	14.9	32.80	37.6	41.5	47.0	44.00

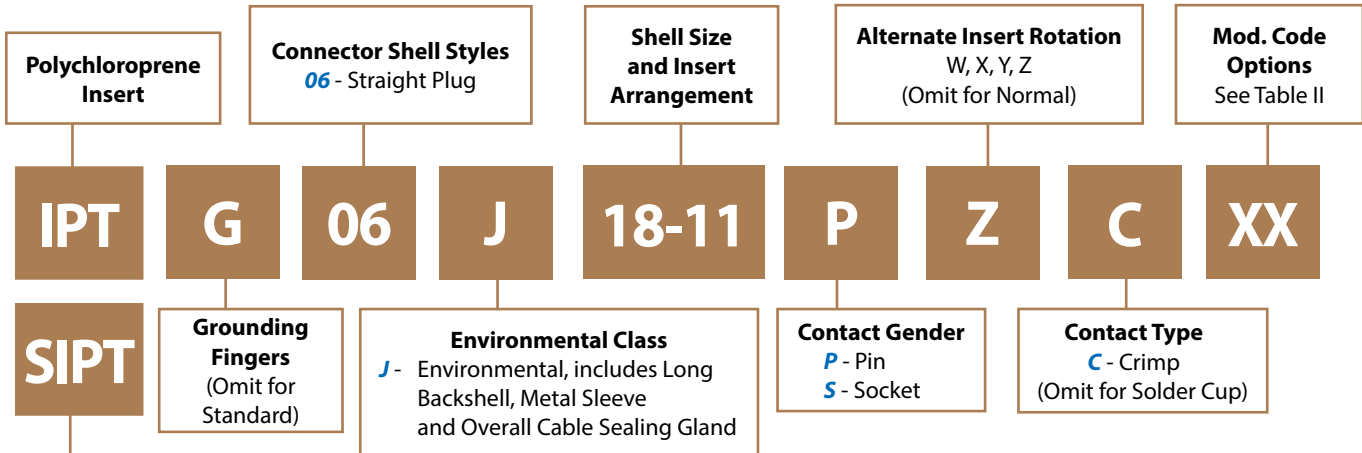
TABLE II: MODIFICATION CODES

CONTACT OPTIONS	
Sym	Description
B0	Connector Without Contacts (Only for crimp version)
FINISH OPTIONS	
Sym	Description and RoHS compliant
F6	Black Electrodeposited Paint
F7	Black Zinc Nickel
F11	Electroless Nickel
MB	Marine Bronze
Omit for standard version (Cadmium Olive Drab Finish)	

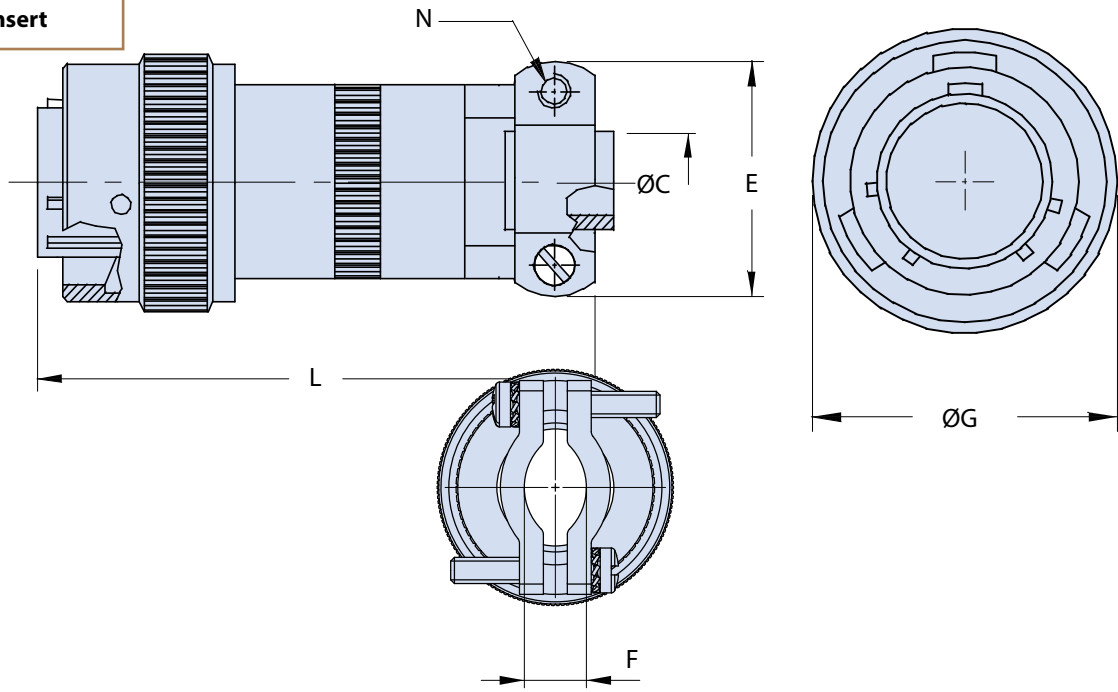




IPT 06 J
Straight Plug Connector
 with Long Backshell,
 Metal Sleeve, Cable Sealing Gland, and Cable Clamp



Silicone Insert



Application Notes

1. Straight plug with long backshell, incorporated metal sleeve, gland seal and cable clamp.
2. Connector/Backshell Class "J" (environmental)—No grommet supplied.
3. Standard materials configuration consists of aluminum alloy.
4. Standard contact material consists of copper alloy with gold plating over nickel.
5. A broad range of other front and rear connector accessories are available. See our website and/or contact factory for complete information.
6. Standard insert is high insulation synthetic rubber.

IPT 06 J
Straight Plug Connector
with Long Backshell,
Metal Sleeve, Cable Sealing Gland, and Cable Clamp



TABLE I: DIMENSIONS

Shell size	ØC		F (**) ±0.75	E ±0.2	ØG ±0.2	L Max.	N Thread
	open	closed					
8	5,85	4,5	4	19.10	18.10	56.0	6 - 32
10	7,9	5,6	4	20.70	21.05	56.0	6 - 32
12	11,25	8,6	6,4	23.90	25.15	59.0	6 - 32
14	13,7	10,2	7,5	27.00	28.40	66.0	6 - 32
16	15	12,5	8,3	28.60	31.60	72.0	6 - 32
18	16,5	13,5	11,3	35.00	35.00	79.0	8 - 32
20	18,5	15	12,7	35.00	37.70	88.5	8 - 32
22	21,5	18	16,3	39.75	40.20	95.5	8 - 32
24	22.7 (*)	18.8 (*)	16,3	42.10	44.00	100.0	8 - 32

(*) Consult the factory.

(**) Cable clamp cleats fully closed.

TABLE II: MODIFICATION CODES

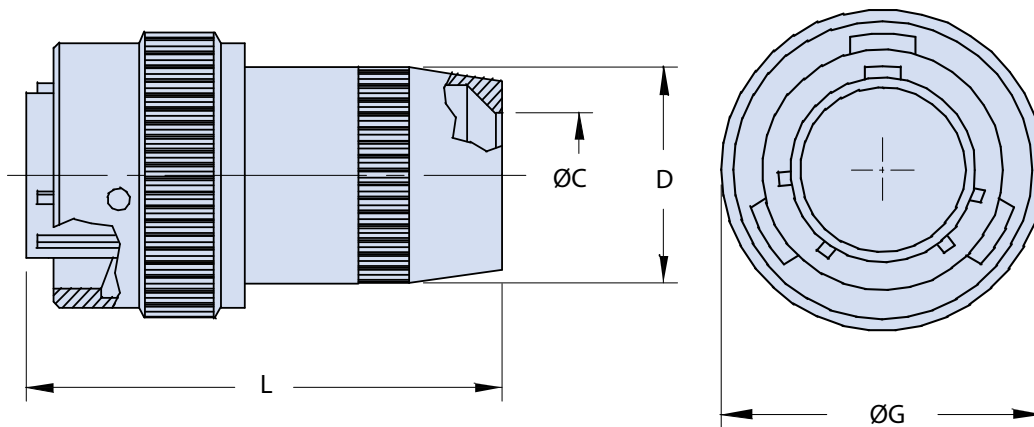
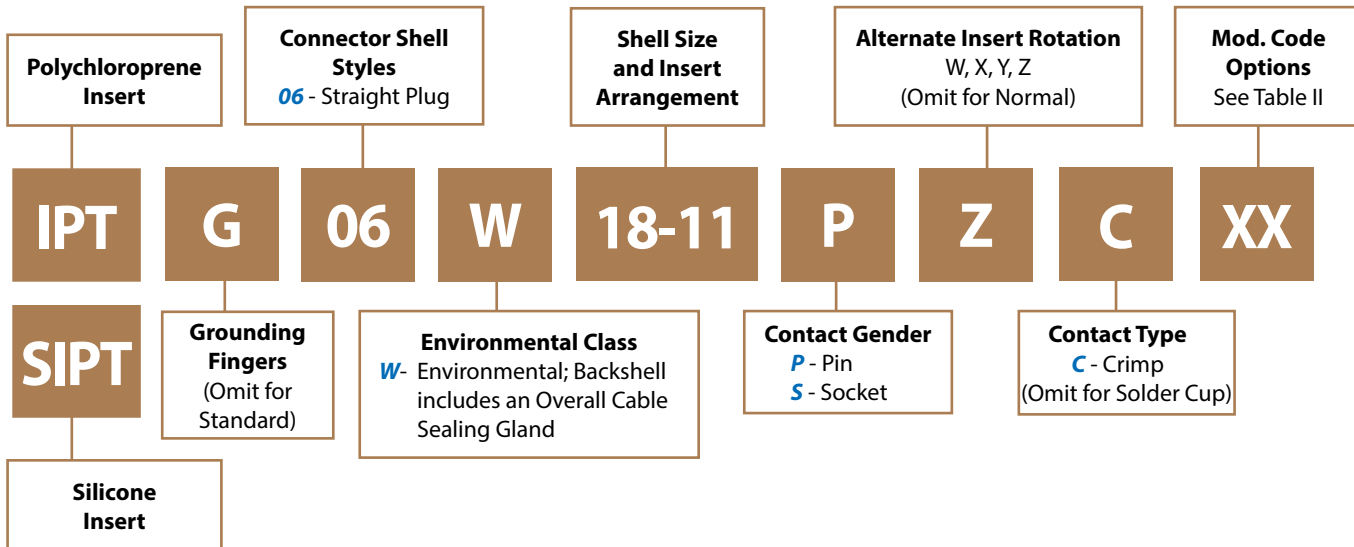
CONTACT OPTIONS	
Sym	Description
B0	Connector Without Contacts (Only for crimp version)
FINISH OPTIONS	
Sym	Description and RoHS compliant
F6	Black Electrodeposited Paint
F7	Black Zinc Nickel
F11	Electroless Nickel
MB	Marine Bronze
Omit for standard version (Cadmium Olive Drab Finish)	





IPT 06 W

Straight Plug Connector with Long Backshell and Cable Sealing Gland



Application Notes

1. Straight plug with long backshell, incorporated metal sleeve and gland seal. No cable clamp provided.
2. Connector/Backshell Class "W" (environmental)—No grommet supplied.
3. Standard materials configuration consists of aluminum alloy.
4. Standard contact material consists of copper alloy with gold plating over nickel.
5. A broad range of other front and rear connector accessories are available. See our website and/or contact factory for complete information.
6. Standard insert is high insulation synthetic rubber.

IPT 06 W
Straight Plug Connector
with Long Backshell and Cable Sealing Gland



TABLE I: DIMENSIONS

Shell size	ØC		D Max.	ØG ±0.2	L Max.
	open	closed			
8	5,85	4,5	13.90	18.10	47.5
10	7,9	5,6	17.15	21.05	47.5
12	11,25	8,6	20.60	25.15	47.5
14	13,7	10,2	23.90	28.40	55.5
16	15	12,5	27.50	31.60	61.0
18	16,5	13,5	30.90	35.00	68.0
20	18,5	15	34.10	37.70	78.5
22	21,5	18	37.50	40.20	83.0
24	22.7 (*)	18.8 (*)	40.30	44.00	90.0

(*) Consult the factory.

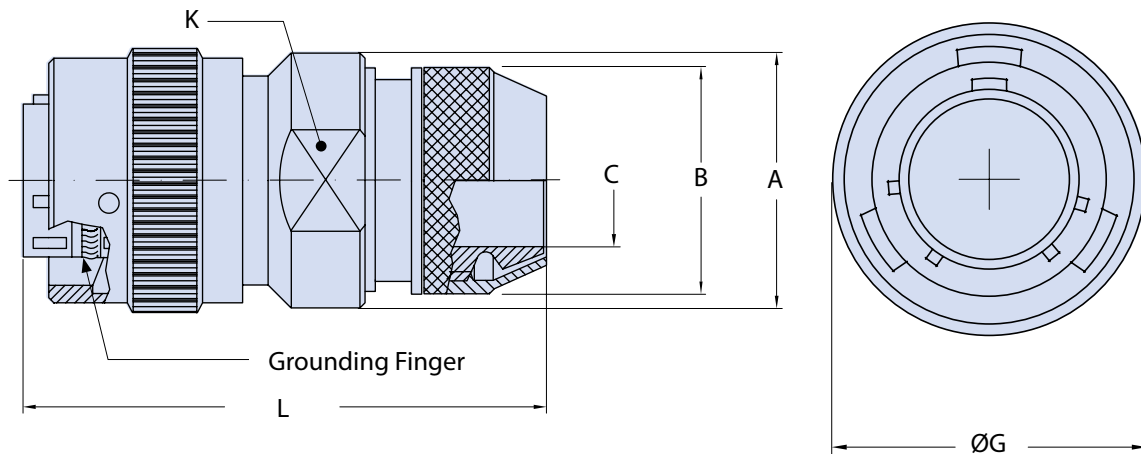
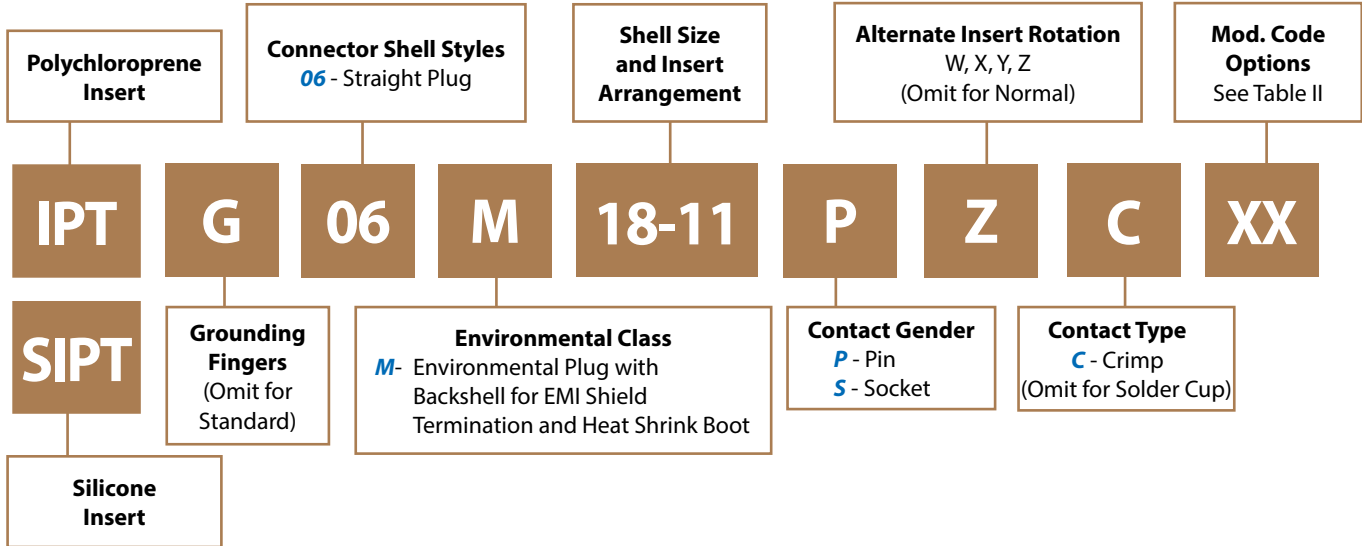
TABLE II: MODIFICATION CODES

CONTACT OPTIONS	
Sym	Description
B0	Connector Without Contacts (Only for crimp version)
FINISH OPTIONS	
Sym	Description and RoHS compliant
F6	Black Electrodeposited Paint
F7	Black Zinc Nickel
F11	Electroless Nickel
MB	Marine Bronze
Omit for standard version (Cadmium Olive Drab Finish)	





IPT 06 M
Straight Plug Connector
with Backshell Suitable for
EMI Shield Termination and Heat Shrink Boot



Application Notes

1. Straight plug with backshell for heat shrink boot, and/or terminating EMI shielded cable.
2. Standard materials configuration consists of aluminum alloy.
3. Connector/Backshell Class "M" (environmental)--Wire sealing grommet supplied.
4. Standard contact material consists of copper alloy with gold plating over nickel.
5. A broad range of other front and rear connector accessories are available. See our website and/or contact factory for complete information.
6. Standard insert is high insulation synthetic rubber.

IPT 06 M
Straight Plug Connector
with Backshell Suitable for
EMI Shield Termination and Heat Shrink Boot



TABLE I: DIMENSIONS

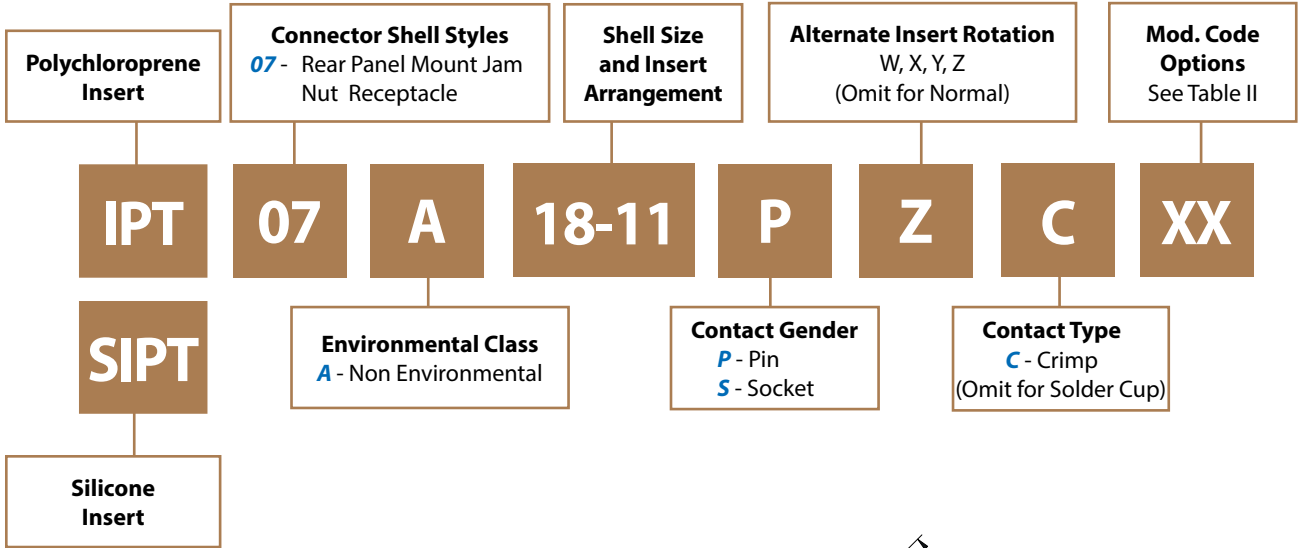
Shell size	A Max.	B +0.5 -0	C min.	K Key	L Max	ØG ±0.2
8	20	16	6.6	18	55	18.10
10	23	18	9.2	21	55	21.05
12	27	22	12.2	24	55	25.15
14	30	25	15.2	28	56	28.40
16	33	28	18.3	31	56	31.60
18	36	32	20.0	34	56	35.00
20	40	34	23.0	37	60	37.70
22	43	38	26.0	41	60	40.20
24	46	41	28.8	44	62	44.00

TABLE II: MODIFICATION CODES

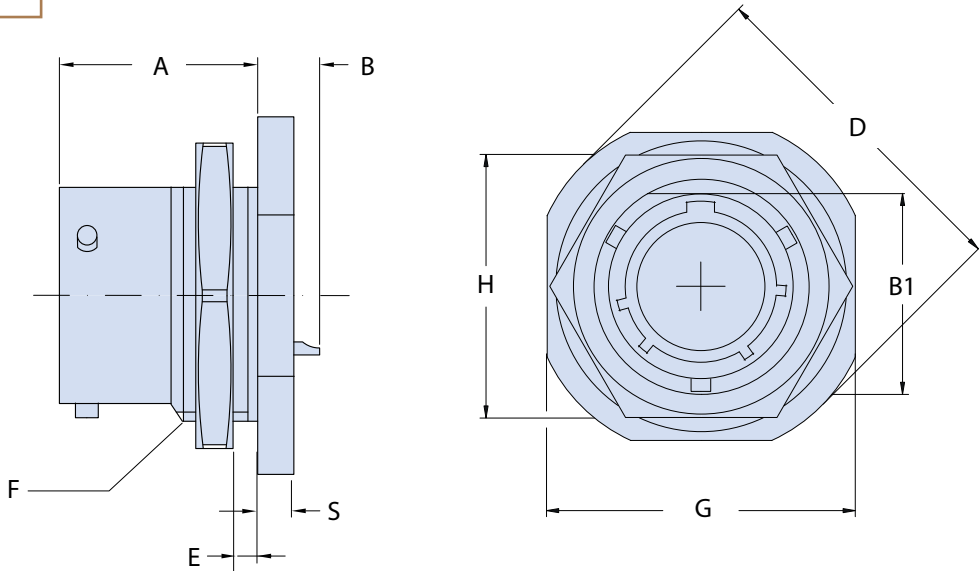
CONTACT OPTIONS	
Sym	Description
B0	Connector Without Contacts (Only for crimp version)
FINISH OPTIONS	
Sym	Description and RoHS compliant
F7	Black Zinc Nickel
F11	Electroless Nickel
MB	Marine Bronze
Omit for standard version (Cadmium Olive Drab Finish)	



IPT 07 A Rear Box Mount Jam Nut Receptacle Connector



C



Application Notes

1. Real box mount jam nut receptacle; No accessory threads.
2. Connector Class "A" (non-environmental).
3. Standard materials configuration consists of aluminum alloy with stainless steel coupling pins.
4. Standard contact material consists of copper alloy with gold plating over nickel.
5. Standard insert is high insulation synthetic rubber.

IPT 07 A
Rear Box Mount Jam Nut
Receptacle Connector

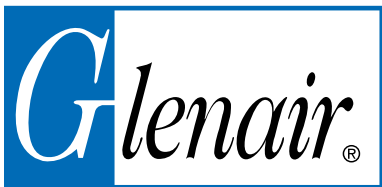


TABLE I: DIMENSIONS

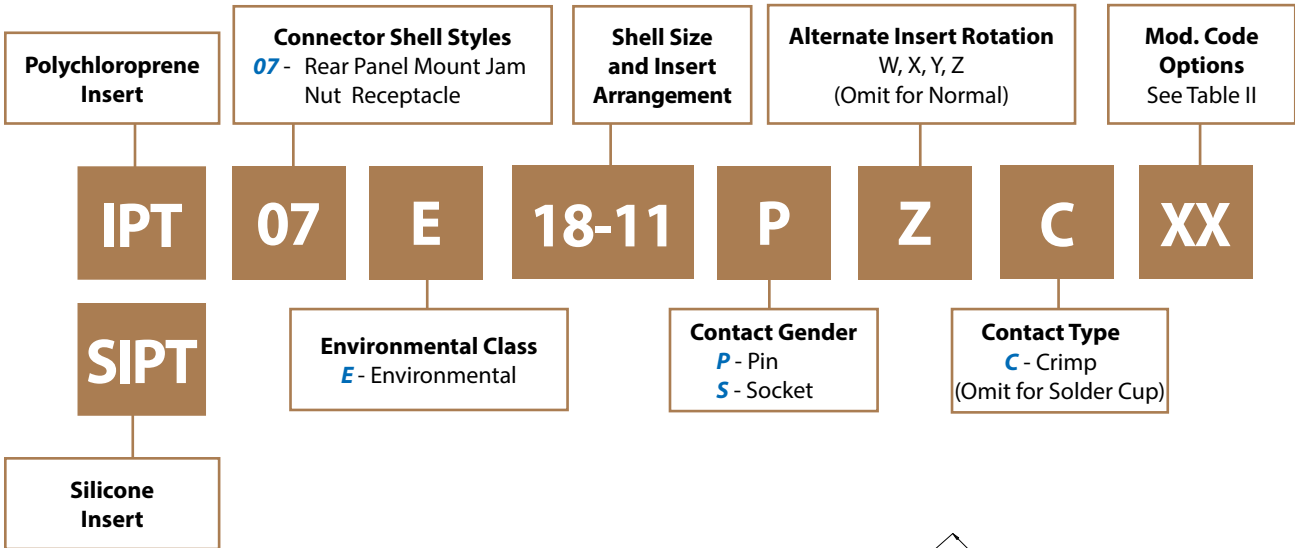
Shell size	A ±0.4	B ±1	B1 +0 -0.25	D +0 -0.8	E min.	E Max.	F Thread in inches	G Max.	H ±0.43	S ±0.5
8	17.70	4.8	13.46	27.3	1.6	3.2	.5625 - 24 UNEF	24.3	19.05	3.0
10	17.70	4.8	16.46	30.5	1.6	3.2	.6875 - 24 UNEF	27.4	22.23	3.0
12	17.70	4.8	20.78	35.3	1.6	3.2	.8750 - 20 UNEF	32.2	26.97	3.0
14	17.70	4.8	23.93	38.5	1.6	3.2	1.0000 - 20 UNEF	35.4	30.18	3.0
16	17.70	4.8	27.08	41.6	1.6	3.2	1.1250 - 18 UNEF	38.6	33.32	3.0
18	17.70	4.8	30.25	44.8	1.6	3.2	1.2500 - 18 UNEF	41.7	36.53	3.0
20	22.45	5.6	33.43	49.6	1.6	6.3	1.3750 - 18 UNEF	46.5	39.67	3.8
22	22.45	5.6	36.60	52.7	1.6	6.3	1.5000 - 18 UNEF	49.7	42.88	3.8
24	23.30	4.8	39.78	55.9	1.6	6.3	1.6250 - 18 UNEF	52.8	46.02	3.8

TABLE II: MODIFICATION CODES

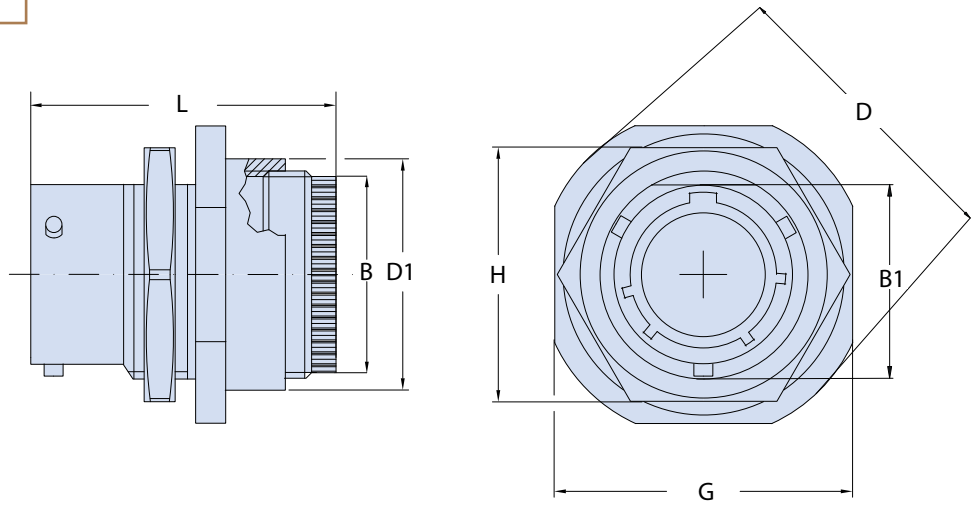
CONTACT OPTIONS	
Sym	Description
B0	Connector Without Contacts (Only for crimp version)
FINISH OPTIONS	
Sym	Description and RoHS compliant
F6	Black Electrodeposited Paint
F7	Black Zinc Nickel
F11	Electroless Nickel
MB	Marine Bronze
Omit for standard version (Cadmium Olive Drab Finish)	



IPT 07 E Rear Panel Mount Jam Nut Receptacle Connector with Backshell



C



Application Notes

1. Rear panel mount jam nut receptacle connector with simple backshell for open wire bundles.
2. Connector Class "E" (environmental)—Wire sealing grommet supplied.
3. Standard materials configuration consists of aluminum alloy with stainless steel coupling pins.
4. Standard contact material consists of copper alloy with gold plating over nickel.
5. A broad range of other front and rear connector accessories are available. See our website and/or contact factory for complete information.
6. Standard insert is high insulation synthetic rubber.

IPT 07 E
Rear Panel Mount Jam Nut
Receptacle Connector with Backshell



TABLE I: DIMENSIONS

Shell size	B Max.	B1 +0 -0.25	D +0 -0.8	G ±0.4	H ±0.4	L Max.	D1 min.
8	13.5	13.46	27.3	23.8	19	39.3	19.0
10	16.5	16.46	30.5	27.0	22	39.3	22.2
12	19.5	20.78	35.3	31.7	27	39.3	25.5
14	22.5	23.93	38.5	34.9	30	39.3	28.5
16	25.5	27.08	41.6	38.1	33	39.3	31.7
18	29.0	30.25	44.8	41.3	36	39.3	34.9
20	31.8	33.43	49.6	46.0	40	43.4	38.8
22	35.0	36.60	52.7	49.2	43	43.4	42.0
24	38.0	39.78	55.9	52.4	46	43.4	45.2

TABLE II: MODIFICATION CODES

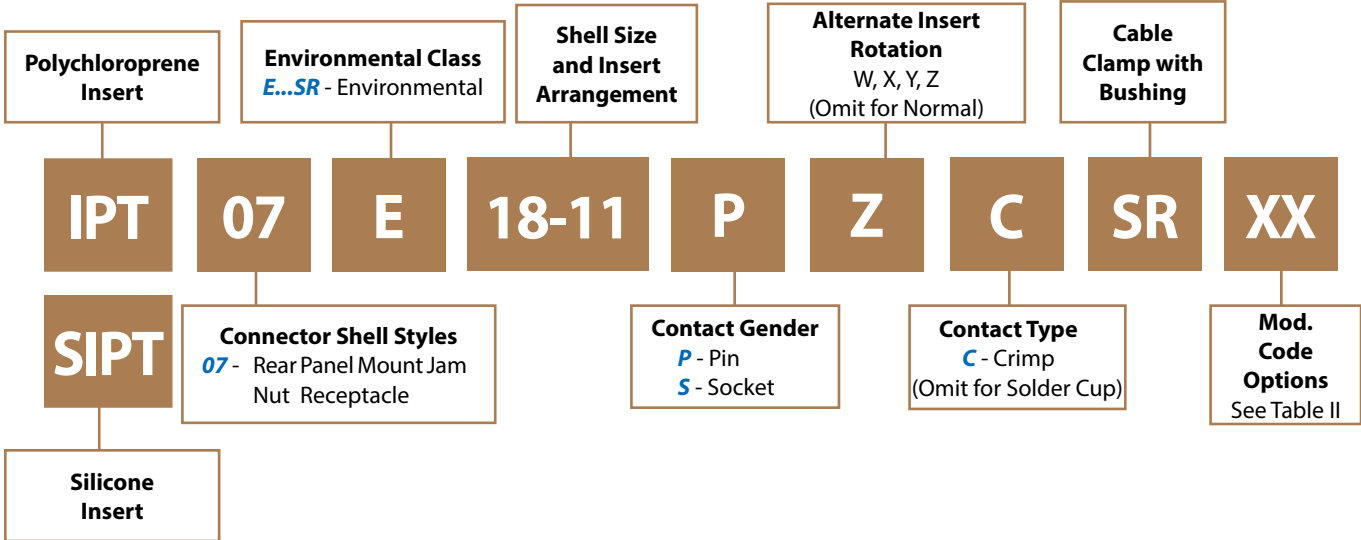
CONTACT OPTIONS	
Sym	Description
B0	Connector Without Contacts (Only for crimp version)
FINISH OPTIONS	
Sym	Description and RoHS compliant
F6	Black Electrodeposited Paint
F7	Black Zinc Nickel
F11	Electroless Nickel
MB	Marine Bronze
Omit for standard version (Cadmium Olive Drab Finish)	



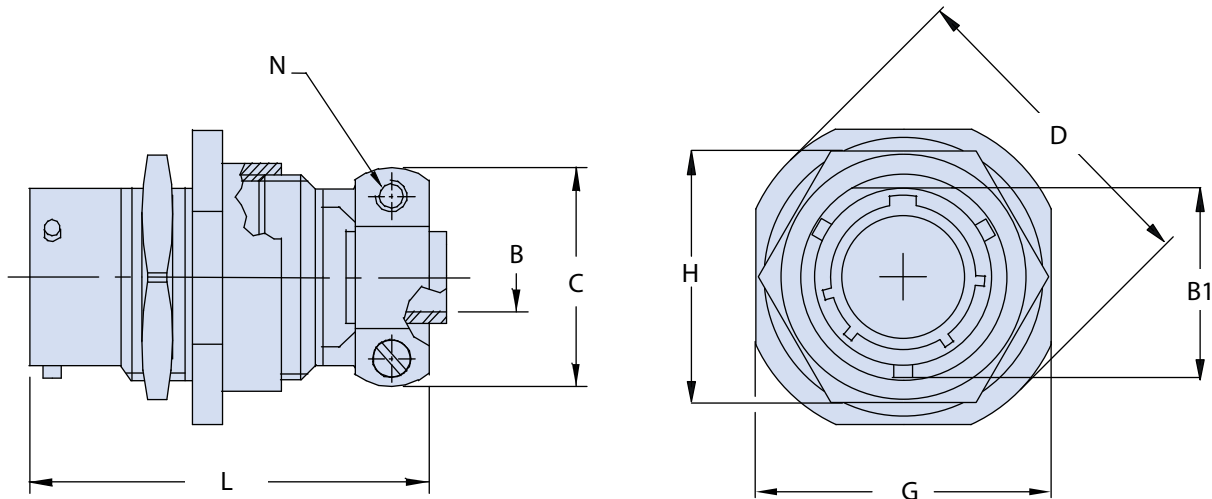


IPT 07 E...SR

Rear Panel Mount Jam Nut Receptacle Connector and Backshell with Cable Clamp and Bushing



C



Application Notes

1. Rear panel mount jam nut receptacle connector with backshell cable clamp and bushing for cable protection.
2. Connector Class "E" (environmental)—Wire sealing grommet supplied.
3. Standard materials configuration consists of aluminum alloy with stainless steel coupling pins.
4. Standard contact material consists of copper alloy with gold plating over nickel.
5. A broad range of other front and rear connector accessories are available. See our website and/or contact factory for complete information.
6. Standard insert is high insulation synthetic rubber.

IPT 07 E...SR
Rear Panel Mount Jam Nut
Receptacle Connector and Backshell
with Cable Clamp and Bushing



TABLE I: DIMENSIONS

Shell size	B ±0.25	B1 +0 -0.25	C ±0.2	D +0 -0.8	G ±0.4	H ±0.4	L Max	N Thread
8	3.2	13.46	19.10	27.3	23.8	19	55	6 - 32
10	4.8	16.46	20.70	30.5	27.0	22	58	6 - 32
12	7.9	20.78	23.90	35.3	31.7	27	58	6 - 32
14	9.5	23.93	27.00	38.5	34.9	30	58	6 - 32
16	12.7	27.08	28.60	41.6	38.1	33	58	6 - 32
18	15.9	30.25	35.00	44.8	41.3	36	63	8 - 32
20	15.9	33.43	35.00	49.6	46.0	40	65	8 - 32
22	19.0	36.60	39.75	52.7	49.2	43	65	8 - 32
24	20.3	39.78	42.10	55.9	52.4	46	65	8 - 32

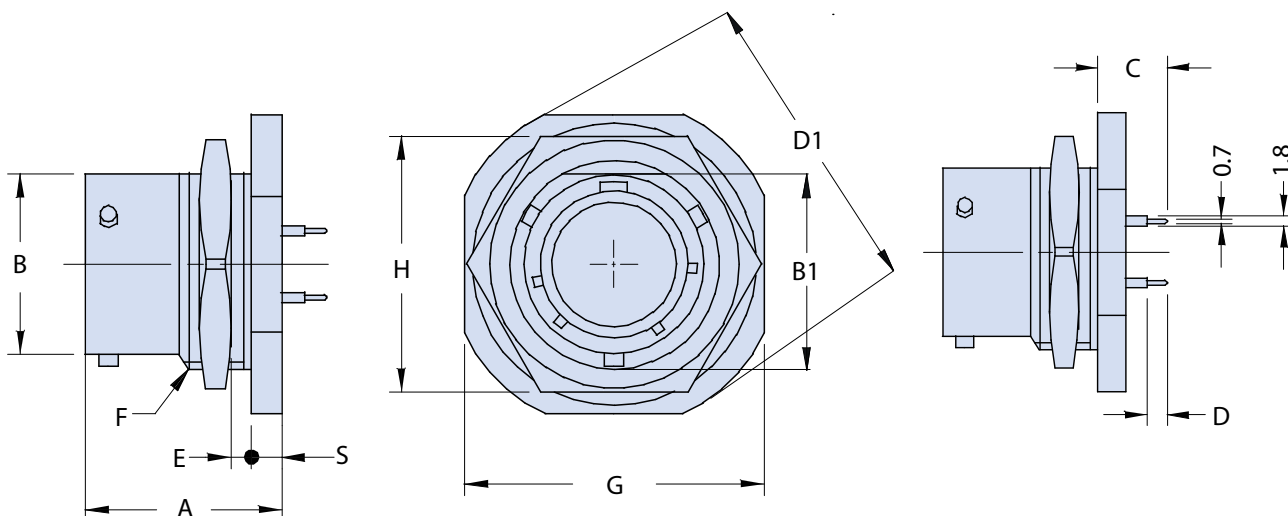
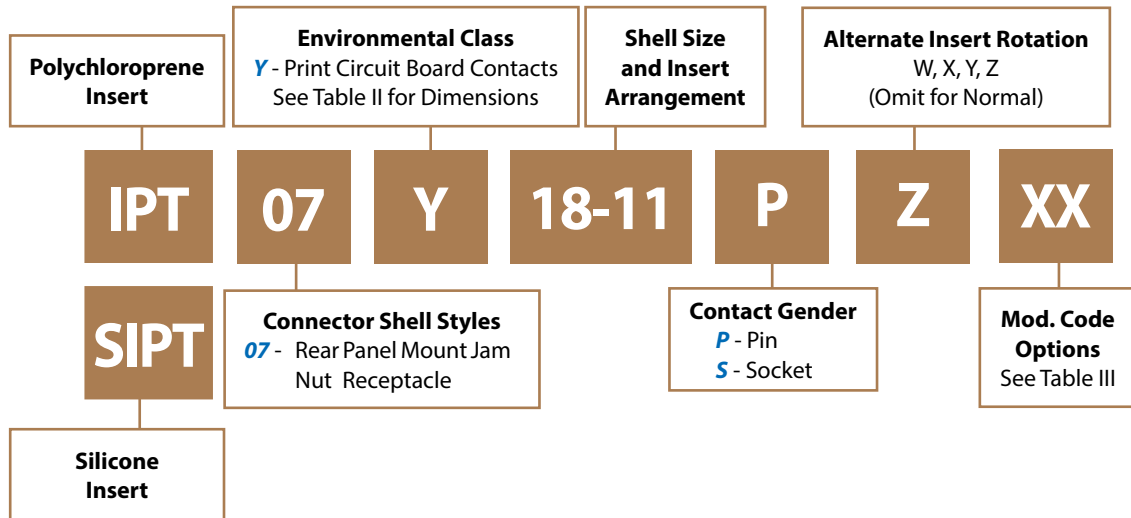
TABLE II: MODIFICATION CODES

CONTACT OPTIONS	
Sym	Description
B0	Connector Without Contacts (Only for crimp version)
FINISH OPTIONS	
Sym	Description and RoHS compliant
F6	Black Electrodeposited Paint
F7	Black Zinc Nickel
F11	Electroless Nickel
MB	Marine Bronze
Omit for standard version (Cadmium Olive Drab Finish)	





IPT 07 Y Rear Box Mount Jam Nut Receptacle with Printed Circuit Board Contacts



Application Notes

1. Rear box mount jam nut receptacle connector with printed circuit board contacts.
2. Connector Style "Y" — Includes PCB tails. Contact factory for custom tail lengths.
3. Standard materials configuration consists of aluminum alloy with stainless steel coupling pins.
4. Standard contact material consists of copper alloy with gold plating over nickel.
5. Standard insert is high insulation synthetic rubber.

IPT 07 Y
Rear Box Mount Jam Nut Receptacle
with Printed Circuit Board Contacts



TABLE I: DIMENSIONS

Shell size	A ±0.2	B +0 -0.1	B1 +0 -0.25	D1 +0 -0.8	E min.	E Max.	F Thread in inches	G ±0.4	H ±0.4	S ±0.4
8	20.85	12.01	13.46	27.3	1.6	3.2	.5625 - 24 UNEF	23.8	19	3.2
10	20.85	14.98	16.46	30.5	1.6	3.2	.6875 - 24 UNEF	27.0	22	3.2
12	20.85	19.05	20.78	35.3	1.6	3.2	.8750 - 20 UNEF	31.7	27	3.2
14	20.85	22.22	23.93	38.5	1.6	3.2	1.0000 - 20 UNEF	34.9	30	3.2
16	20.85	25.40	27.08	41.6	1.6	3.2	1.1250 - 18 UNEF	38.1	33	3.2
18	20.85	28.57	30.25	44.8	1.6	3.2	1.2500 - 18 UNEF	41.3	36	3.2
20	26.40	31.75	33.43	49.6	1.6	6.3	1.3750 - 18 UNEF	46.0	40	4.0
22	26.40	34.92	36.60	52.7	1.6	6.3	1.5000 - 18 UNEF	49.2	43	4.0
24	26.40	38.10	39.78	55.9	1.6	6.3	1.6250 - 18 UNEF	52.4	46	4.0

TABLE II: DIMENSIONS

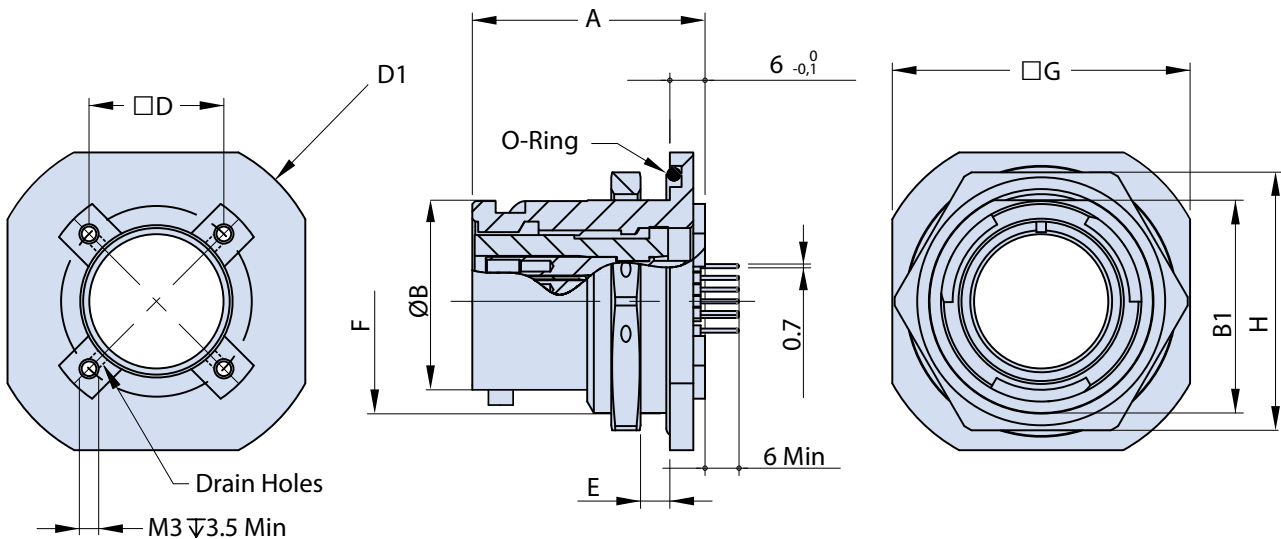
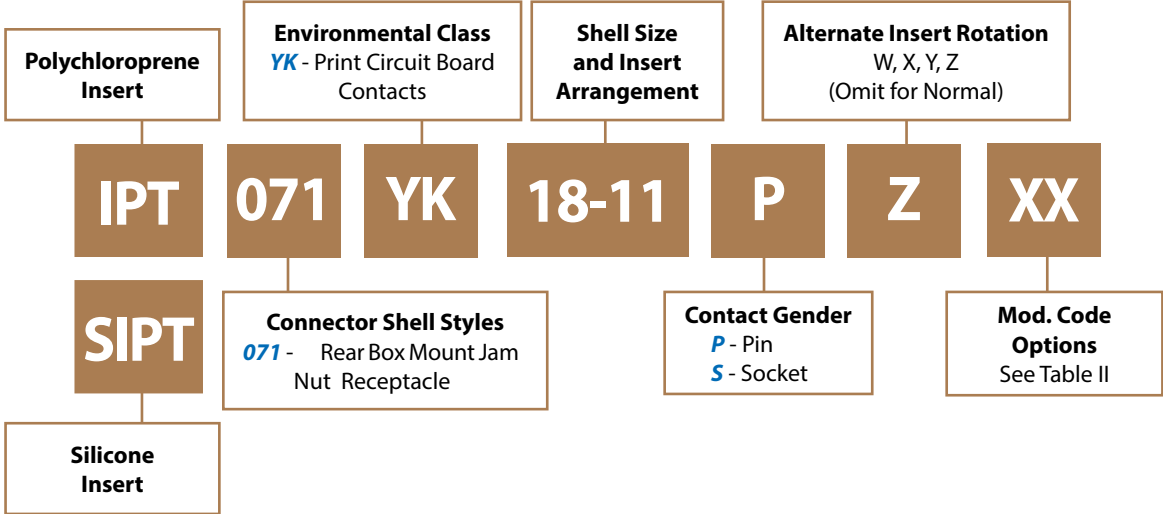
Shell size	Y		Y1		Y2		YS		YL		YM		YK	
	C	D	C	D	C	D	C	D	C	D	C	D	C	D
	±0.4	±0.2	±0.4	±0.2	±0.4	±0.2	±0.4	±0.2	±0.4	±0.2	±0.4	±0.2	±0.4	±0.2
8	10.0	3.6	8.9	3.2	9.4	4.8	7.8	3.2	12.5	6.0	14.0	7.2	12.7	7.1
10	10.0	3.6	8.9	3.2	9.4	4.8	7.8	3.2	12.5	6.0	14.0	7.2	12.1	7.1
12	9.4	3.6	8.9	3.2	9.4	4.8	7.8	3.2	12.5	6.0	13.9	7.2	12.1	7.1
14	9.9	3.6	8.9	3.2	9.4	4.8	7.8	3.2	12.5	6.0	14.0	7.2	12.1	7.1
16	9.4	3.6	8.9	3.2	9.4	4.8	7.8	3.2	12.5	6.0	14.0	7.2	12.1	7.1
18	9.9	3.6	8.9	3.2	9.4	4.8	7.8	3.2	12.5	6.0	14.0	7.2	12.1	7.1
20	9.6	3.6	8.7	3.2	11.35	4.8	9.3	3.2	11.1	6.0	14.5	7.2	12.75	7.1
22	9.6	3.6	8.7	3.2	11.35	4.8	9.3	3.2	11.1	6.0	14.65	7.2	11.9	7.1
24	8.7	3.6	8.5	3.2	11.00	4.8	8.5	3.2	10.3	6.0	14.6	7.2	11.2	7.1

TABLE III: MODIFICATION CODES

FINISH OPTIONS	
Sym	Description and RoHS compliant
F6	Black Electrodeposited Paint
F7	Black Zinc Nickel
F11	Electroless Nickel
MB	Marine Bronze
Omit for standard version (Cadmium Olive Drab Finish)	



IPT 071 YK Rear Box Mount Jam Nut Receptacle with Standoff and Printed Circuit Board Contacts



Application Notes

1. Rear box mount jam nut receptacle connector with standoff and printed circuit board contacts.
2. Connector Style "YK" — Includes PCB tails.
3. Standard materials configuration consists of aluminum alloy with stainless steel coupling pins.
4. Standard contact material consists of copper alloy with gold plating over nickel.
5. Standard insert is high insulation synthetic rubber.

IPT 071 YK
Rear Box Mount Jam Nut Receptacle
with Standoff and Printed Circuit Board Contacts



TABLE I: DIMENSIONS

Shell size	A ±0.2	B +0 -0.1	F Thread in inches	D ±0.2	E min.	E Max.	G ±0.4	B1 +0 -0.25	D1 +0 -0.8	H ±0.4
10	23.7	14.98	.6875 - 24 UNEF	11.5	1.6	3.2	27.0	16.46	30.5	22
12	23.7	19.05	.8750 - 20 UNEF	14.0	1.6	3.2	31.7	20.78	35.3	27
14	23.7	22.22	1.0000 - 20 UNEF	16.3	1.6	3.2	34.9	23.93	38.5	30
16	23.7	25.40	1.1250 - 18 UNEF	18.7	1.6	3.2	38.1	27.08	41.6	33
18	23.7	28.57	1.2500 - 18 UNEF	21.0	1.6	3.2	41.3	30.25	44.8	36
20	28.4	31.75	1.3750 - 18 UNEF	23.0	1.6	6.3	46.0	33.43	49.6	40
22	28.7	34.92	1.5000 - 18 UNEF	25.0	1.6	6.3	49.2	36.60	52.7	43
24	29.3	38.10	1.6250 - 18 UNEF	27.0	1.6	6.3	52.4	39.78	55.9	46

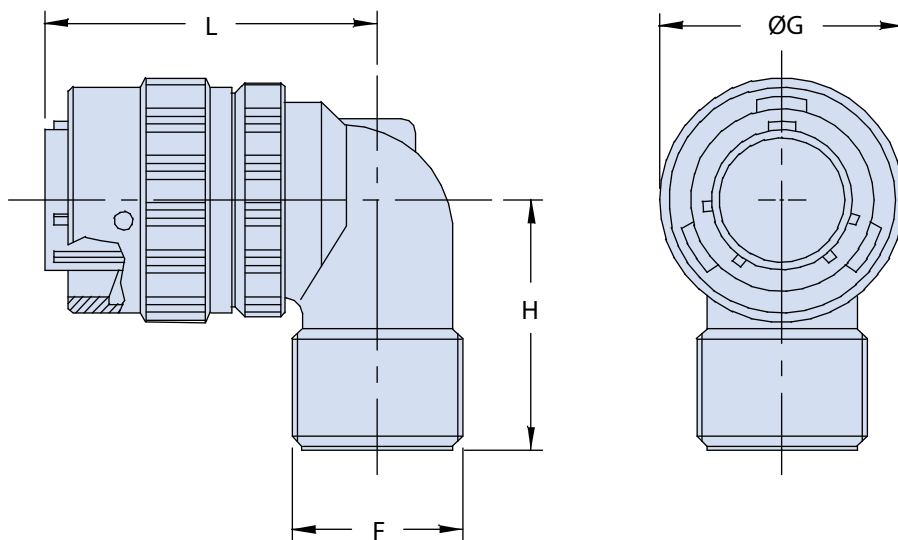
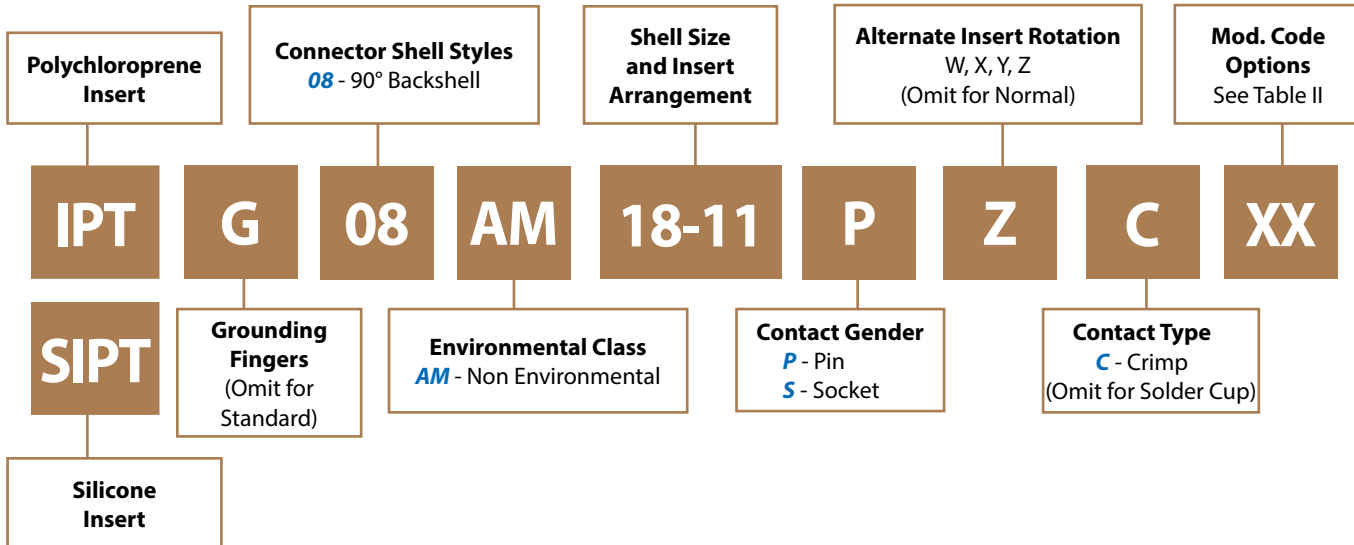
TABLE II: MODIFICATION CODES

FINISH OPTIONS	
Sym	Description and RoHS compliant
F6	Black Electrodeposited Paint
F7	Black Zinc Nickel
F11	Electroless Nickel
MB	Marine Bronze
Omit for standard version (Cadmium Olive Drab Finish)	





IPT 08 AM
Plug Connector
with 90° Backshell Suitable for MS3057 Cable Clamp



Application Notes

1. Plug with 90° backshell for cable clamp MS3057-A/B/C (not included).
2. Connector/Backshell Class "AM" (non-environmental)—no grommet supplied.
3. Standard materials configuration consists of aluminum alloy.
4. Standard contact material consists of copper alloy with gold plating over nickel.
5. A broad range of other front and rear connector accessories are available. See our website and/or contact factory for complete information.
6. Standard insert is high insulation synthetic rubber.

**IPT 08 AM
Plug Connector**
with 90° Backshell Suitable for MS3057 Cable Clamp



TABLE I: DIMENSIONS

Shell size	F Thread in inches	ØG ±0.2	H Max.	L Max.
8	.5000 - 28 UNEF	18.10	28.0	36.0
10	.6250 - 24 UNEF	21.05	26.0	36.0
12	.7500 - 20 UNEF	25.15	27.5	38.0
14	.8750 - 20 UNEF	28.40	28.0	41.5
16	1.0000 - 20 UNEF	31.60	31.0	43.0
18	1.1875 - 18 UNEF	35.00	33.0	48.0
20	1.1875 - 18 UNEF	37.70	33.0	52.0
22	1.4375 - 18 UNEF	40.20	38.0	56.0
24	1.4375 - 18 UNEF	44.00	39.0	57.0

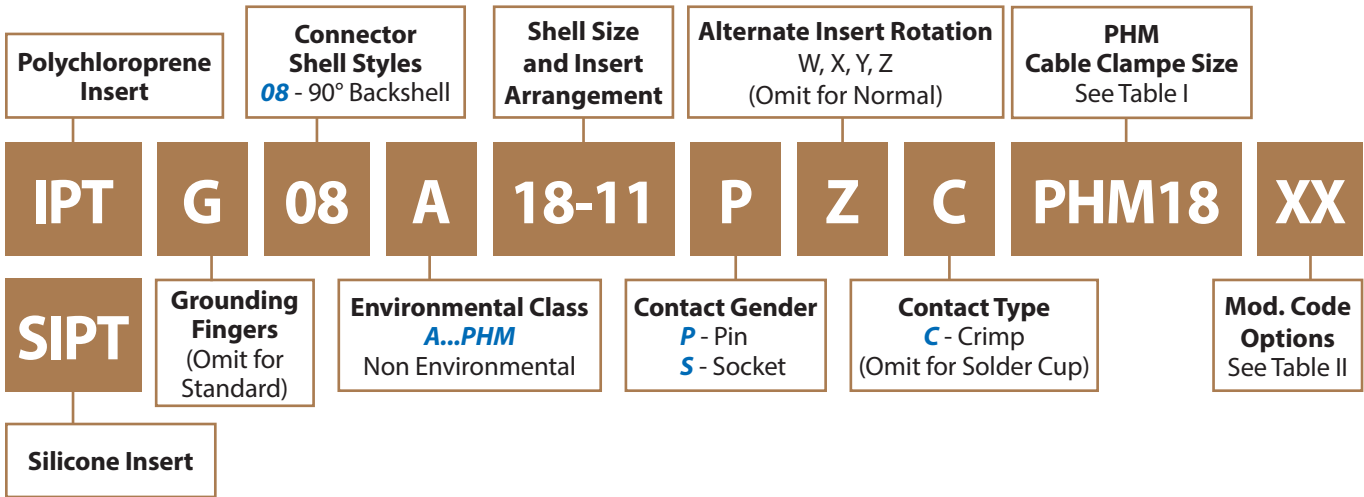
TABLE II: MODIFICATION CODES

CONTACT OPTIONS	
Sym	Description
B0	Connector Without Contacts (Only for crimp version)
FINISH OPTIONS	
Sym	Description and RoHS compliant
F6	Black Electrodeposited Paint
F7	Black Zinc Nickel
F11	Electroless Nickel
MB	Marine Bronze
Omit for standard version (Cadmium Olive Drab Finish)	

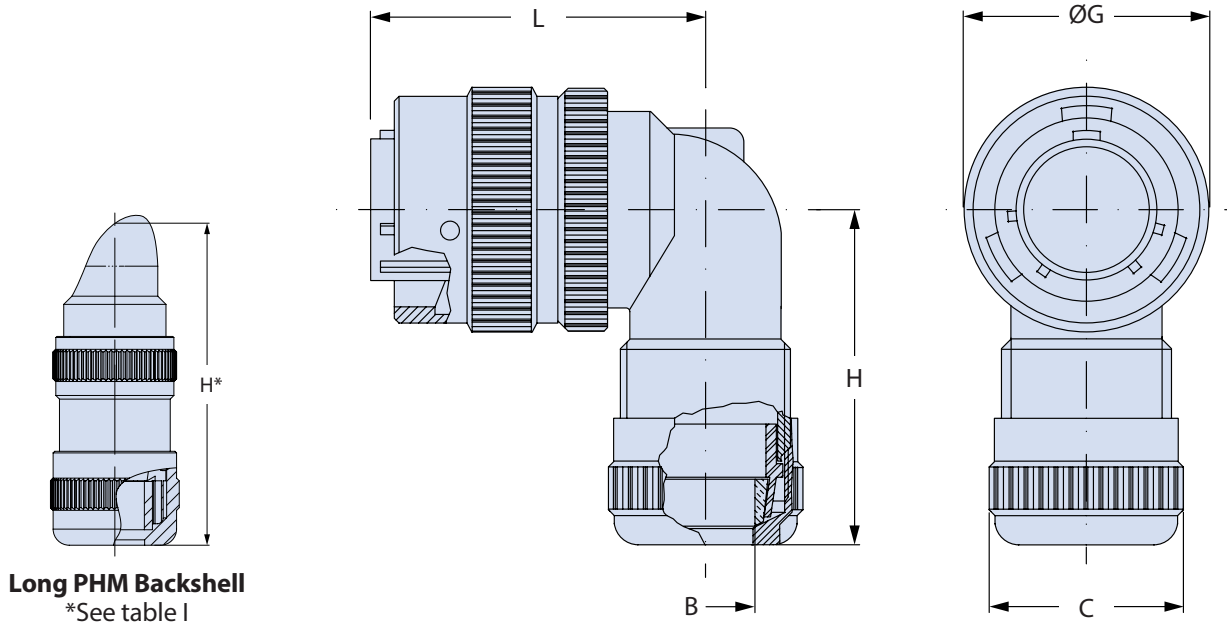




IPT 08 A...PHM__ Plug Connector with 90° PHM Backshell and Sleeves to Accommodate Various Cable Sizes



C



Application Notes

1. Plug with 90° backshell and PHM cable clamp. The PHM cable clamp assures excellent mechanical strength and splash proof sealing (if used with the correct neoprene sealing sleeves).
2. Connector Class "A" (non-environmental)—no grommet supplied.
3. Standard materials configuration consists of aluminum alloy.
4. Standard contact material consists of copper alloy with gold plating over nickel.
5. A broad range of other front and rear connector accessories are available. See our website and/or contact factory for complete information.
6. Standard insert is high insulation synthetic rubber.

**IPT 08 A...PHM__
 Plug Connector with 90° PHM Backshell
 and Sleeves to Accommodate Various Cable Sizes**



TABLE I: DIMENSIONS

Shell Size	PHM Cable Clamp Size	B Min. - Max.	C Max.	ØG ±0.2	H Max.	L Max.
8	7	2 - 7	15.2	18.10	46.0	36.0
10	9	2 - 9	21.5	21.05	45.0	36.0
12	11*	2 - 11	23.5	25.15	60.0*	38.0
14	11	2 - 11	25.5	28.40	44.5	41.5
16	11*	2 - 11	28.5	31.60	65.0*	43.0
18	11*/ 18	2 - 11 / 9 - 16.5	34.0	35.00	65.0* / 54.0	48.0
20	18	9 - 16.5	34.0	37.70	54.0	52.0
22	18	9 - 16.5	40.5	40.20	60.0	56.0
24	18*/ 22 / 24	9 - 16.5 / 15 - 20 / 19 - 24	40.5	44.00	80.0* / 61.0 / 61.0	57.0

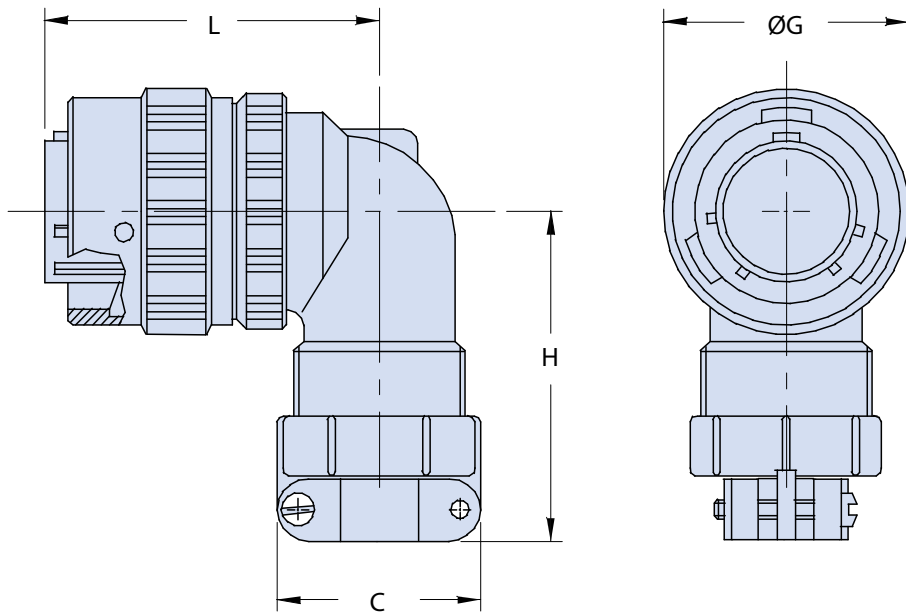
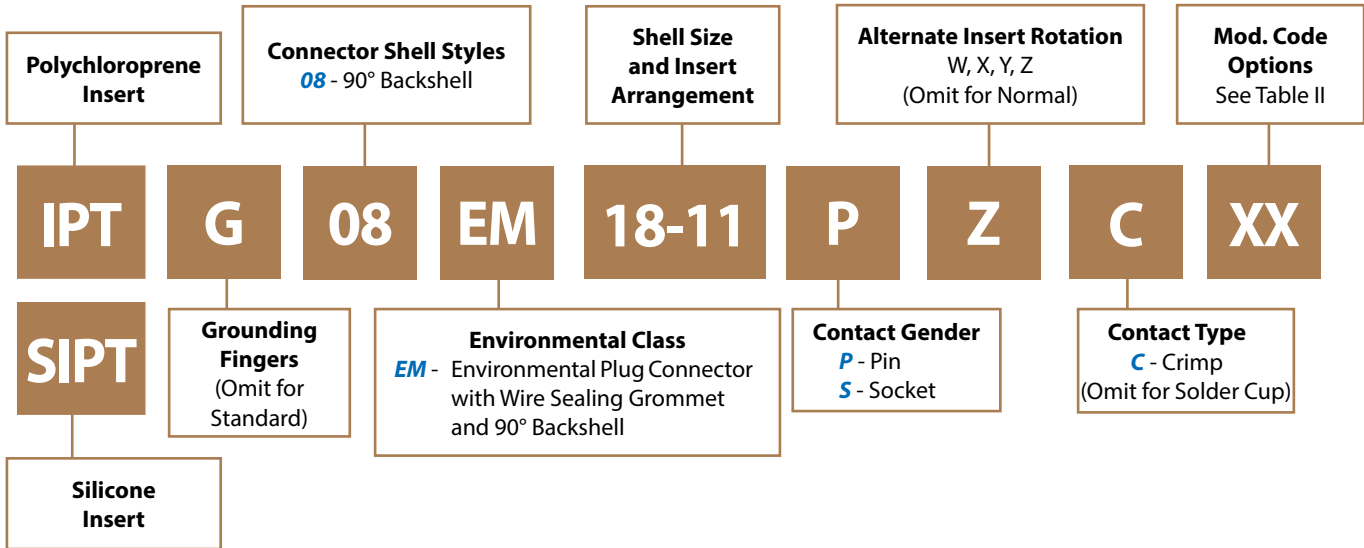
*PHM Long Backshell version

TABLE II: MODIFICATION CODES

CONTACT OPTIONS	
Sym	Description
B0	Connector Without Contacts (Only for crimp version)
FINISH OPTIONS	
Sym	Description and RoHS compliant
F6	Black Electrodeposited Paint
F7	Black Zinc Nickel
F11	Electroless Nickel
MB	Marine Bronze
Omit for standard version (Cadmium Olive Drab Finish)	



IPT 08 EM
Plug Connector
with 90° Backshell with MS3057-A Cable Clamp



Application Notes

1. Plug with 90° backshell, sealing grommet and 90° Backshell suitable for MS3057-A cable clamp.
2. Connector/Backshell Class "EM" (environmental)—Wire sealing grommet supplied.
3. Standard materials configuration consists of aluminum alloy.
4. Standard contact material consists of copper alloy with gold plating over nickel.
5. A broad range of other front and rear connector accessories are available. See our website and/or contact factory for complete information.
6. Standard insert is high insulation synthetic rubber.

IPT 08 EM
Plug Connector
 with 90° Backshell with MS3057-A Cable Clamp



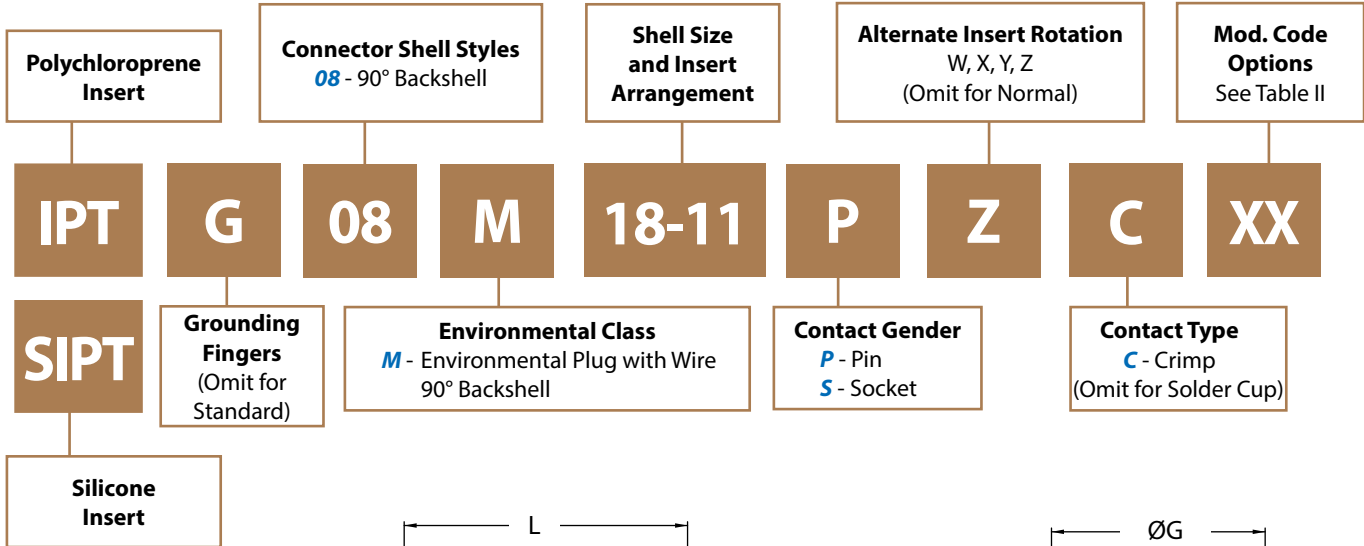
TABLE I: DIMENSIONS

Shell size	C Max.	ØG ±0.2	H Max.	L Max.
8	21.2	18.10	39.5	36.0
10	25.5	21.05	37.5	36.0
12	27.5	25.15	40.0	38.0
14	28.5	28.40	43.0	41.5
16	33.0	31.60	46.0	43.0
18	35.5	35.00	48.0	48.0
20	35.5	37.70	48.0	52.0
22	44.0	40.20	53.5	56.0
24	44.0	44.00	53.5	57.0

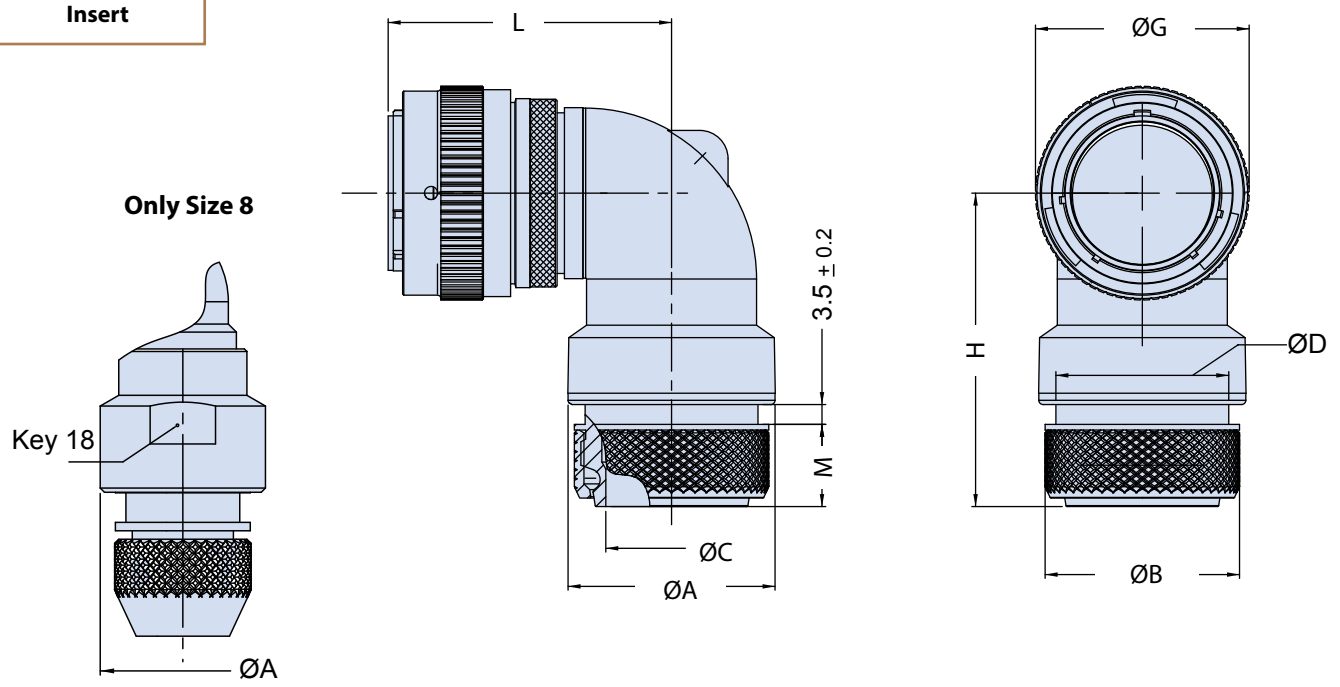
TABLE II: MODIFICATION CODES

CONTACT OPTIONS	
Sym	Description
B0	Connector Without Contacts (Only for crimp version)
FINISH OPTIONS	
Sym	Description and RoHS compliant
F6	Black Electrodeposited Paint
F7	Black Zinc Nickel
F11	Electroless Nickel
MB	Marine Bronze
Omit for standard version (Cadmium Olive Drab Finish)	

IPT 08 M Plug Connector with 90° Backshell for Shield Termination and Shrink Boot



C



- Application Notes**
1. Plug with 90° backshell for terminating shielded cable. Also suitable for heat shrink boots.
 2. Connector/Backshell Class "M" (environmental)—Wire sealing grommet supplied.
 3. Standard materials configuration consists of aluminum alloy.
 4. Standard contact material consists of copper alloy with gold plating over nickel.
 5. A broad range of other front and rear connector accessories are available. See our website and/or contact factory for complete information.
 6. Standard insert is high insulation synthetic rubber.

IPT 08 M
Plug Connector
with 90° Backshell for Shield Termination and Shrink Boot



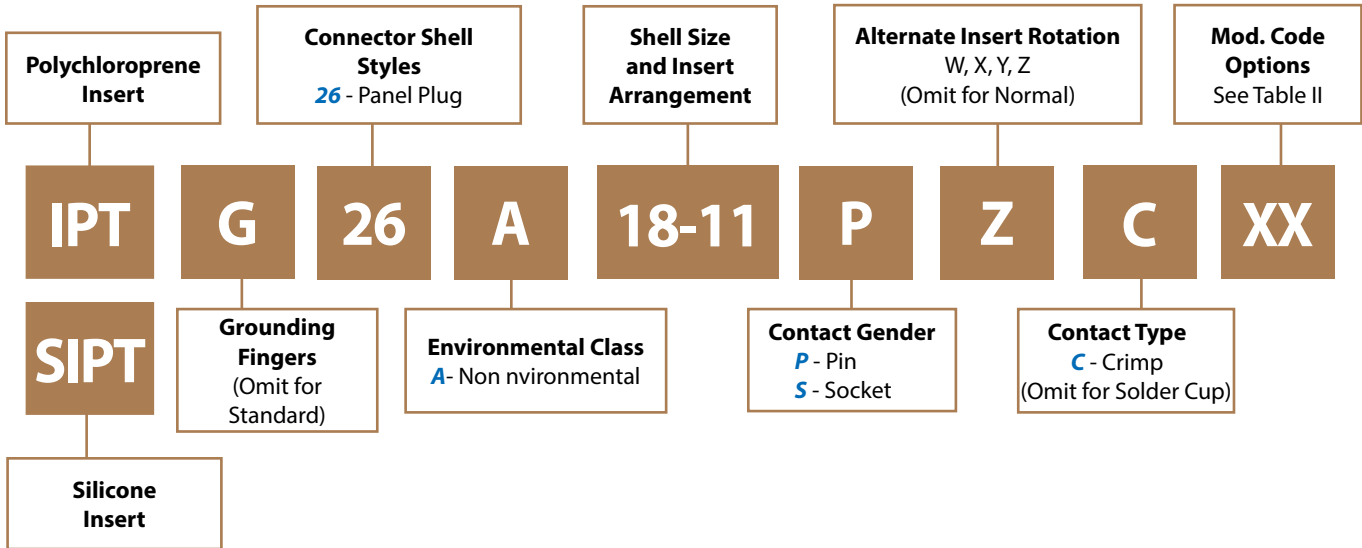
TABLE I: DIMENSIONS

Shell Size	ØA ± 0.2	ØB ± 0.2	ØC +0.1/0	ØD 0/-0.2	M ± 0.5	ØG ±0.2	L Max.	H Max.
8	19.6	16.20	6.80	13.50	13.50	18.10	34.50	53.50
10	19.05	18.30	9.30	15.80	12.50	21.05	37.50	45.10
12	22.00	22.30	12.25	19.80	13.50	25.15	37.50	48.00
14	25.50	25.30	15.40	22.60	14.50	28.40	39.20	49.50
16	30.175	28.30	18.50	26.00	14.50	31.60	44.40	52.70
18	30.175	32.30	20.20	28.20	14.50	35.00	46.60	56.60
20	36.60	34.30	23.30	30.50	14.50	37.70	50.50	55.80
22	36.60	38.20	26.00	34.00	14.50	40.20	54.40	59.60
24	44.80	41.30	29.00	37.20	14.50	44.00	55.70	58.60

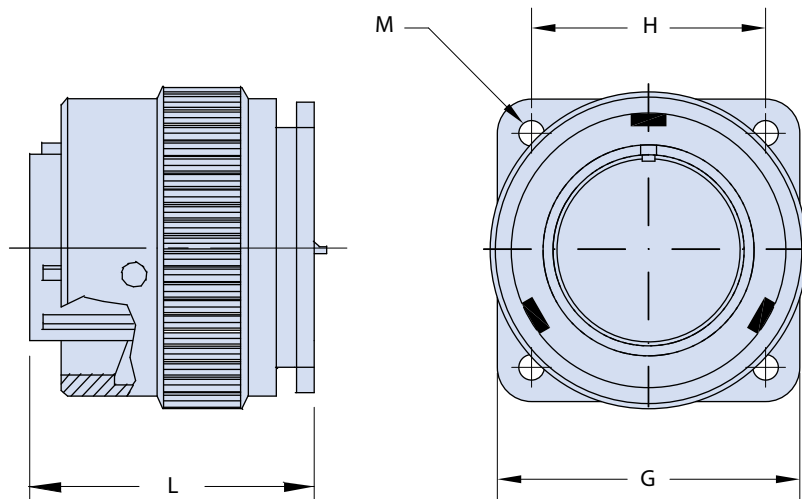
TABLE II: MODIFICATION CODES

CONTACT OPTIONS	
Sym	Description
B0	Connector Without Contacts (Only for crimp version)
FINISH OPTIONS	
Sym	Description and RoHS compliant
F7	Black Zinc Nickel
F11	Electroless Nickel
MB	Marine Bronze
Omit for standard version (Cadmium Olive Drab Finish)	

IPT 26 A Panel Plug Connector



C



Application Notes

1. Square flange box mount plug connector to be mated with In-line receptacles (IPT01).
2. Connector Class "A" (non-environmental)—no grommet supplied.
3. Standard materials configuration consists of aluminum alloy.
4. Standard contact material consists of copper alloy with gold plating over nickel.
5. Standard insert is high insulation synthetic rubber.

IPT 26 A
Panel Plug Connector



TABLE I: DIMENSIONS

Shell size	L Max.	G ±0.4	H ±0.1	M Thread
16	24.5	31.0	24.60	6 - 32UNC
20	28.5	36.5	29.40	6 - 32UNC
22	28.5	39.7	31.75	6 - 32UNC
24	32.0	42.8	34.92	6 - 32UNC

TABLE II: MODIFICATION CODES

CONTACT OPTIONS	
Sym	Description
B0	Connector Without Contacts (Only for crimp version)
FINISH OPTIONS	
Sym	Description and RoHS compliant
F6	Black Electrodeposited Paint
F7	Black Zinc Nickel
F11	Electroless Nickel
MB	Marine Bronze
Omit for standard version (Cadmium Olive Drab Finish)	



MIL-DTL-5015 TYPE
FIELD-READY
RJ45 ETHERNET

MIL-DTL-5015 TYPE REVERSE-BAYONET SUPERSEAL™

Rugged environmental MIL-DTL-5015 type Reverse Bayonet Connectors with IP68 sealing, robust insert-to-shell grounding, and a complete range of wire, cable, and circuit board terminations



Features

- Superior sealing — IP68 when mated—for complete system protection against water, sand and dust
- Shielded/grounded coupler designs in both receptacle and plug connectors
- Crimp, solder-cup, PC tail, and Quadrax contact/wire termination options
- RJ45 plug and/or jack interface options available in Cat 5e or Cat 6a



www.glenair.com

Glenair®

Glenair Italia S.p.A.
Via del lavoro,7
40057 - Quarto Inferiore
Granarolo dell'Emilia
Bologna - Italy
Tel. +39 051 782811
Fax +39 051 782259
info@glenair.it
www.glenair.it

IPT SE and IPT Series

Connector Accessories and Tools Section D



IT 3057-A Cable Clamp / IT 3057-C Cable Clamp	D-2 ; D-3
IT 3420 and IT 3420-A Neoprene Sleeve	D-4
IPT 3180-C / IPT 3180-CF and IPT 3180-SC Protective Plug Covers	D-5; D-6
IPT 3181-C and IPT 3181-CF Protective Receptacle Covers	D-7
IPT 3181-N and IPT 3181-NF Protective Receptacle Covers	D-8
IPT 3181-SC Protective Receptacle Covers	D-9
IT 90376-R and IT 90376-Y Protective Receptacle and Plug Plastic Caps	D-10
IPT 3115 and IPT 3115A Dummy Stowage Receptacles	D-11
10-101949 and 10-101949-S Square Flange Panel Mount Receptacle Sealing Gaskets	D-12
10-101033-11 and 10-101033-12 Sealing Plug for Wire Sealing Grommet	D-13
IPT Series Tools / IPT SE Series Tools	D-14 ; D-15

D

Mod. Code Options
See Table II

IT

3057-16A

F11

**MIL-DTL-26482 Serie I
Accessory**

Finish Options
See Table II

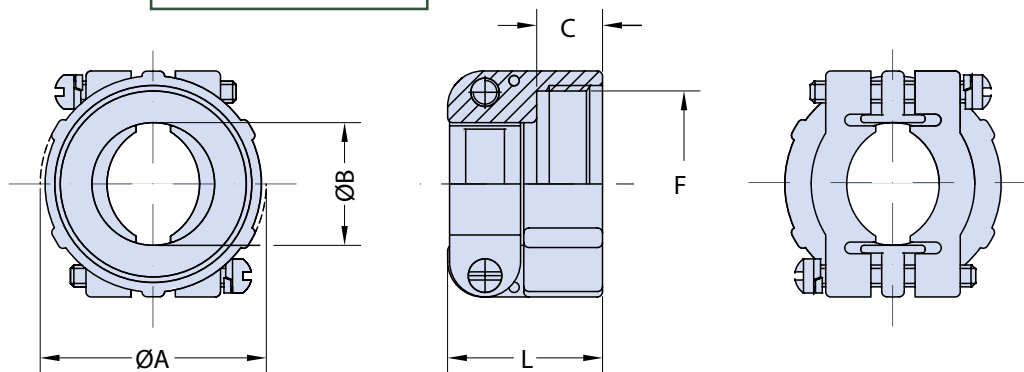


TABLE II: MODIFICATION CODES

Shell Finish (Omit for Standard Cad/Olive Drab Finish)
F6 - Black Electrodeposited Paint (RoHs)
F7 - Black Zinc Nickel (RoHs)
F11 - Electroless Nickel (RoHs)
MB - Marine Bronze (RoHs)

Application Notes

General duty cable clamp suitable for jacketed cable or wires protected by tubing.

TABLE I: DIMENSIONS

GLENAIR P/N	Shell size	Sleeve to use	ØA	ØB	C	F Thread in inches	L
IT3057 - 3A	8	IT3420 - 3	18	6.8	10.2	0.5000 - 28UNEF	20.6
IT3057 - 4A	10	IT3420 - 4	25	8.2	10.2	0.6250 - 24UNEF	21.0
IT3057 - 6A	12	IT3420 - 6	27	11.2	10.2	0.7500 - 20UNEF	22.2
IT3057 - 8A	14	IT3420 - 8	28	14.2	10.2	0.8750 - 20UNEF	24.0
IT3057 - 10A	16	IT3420 - 10	33	16.0	10.2	1.0000 - 20UNEF	28.5
IT3057 - 12A	18	IT3420 - 12	35	19.0	10.2	1.1875 - 18NEF	24.0
IT3057 - 12A	20	IT3420 - 12	35	19.0	10.2	1.1875 - 18NEF	24.0
IT3057 - 16A	22	IT3420 - 16	43	23.8	10.5	1.4375 - 18NEF	26.0
IT3057 - 16A	24	IT3420 - 16	43	23.8	10.5	1.4375 - 18NEF	26.0

IT 3057-C Cable Clamp

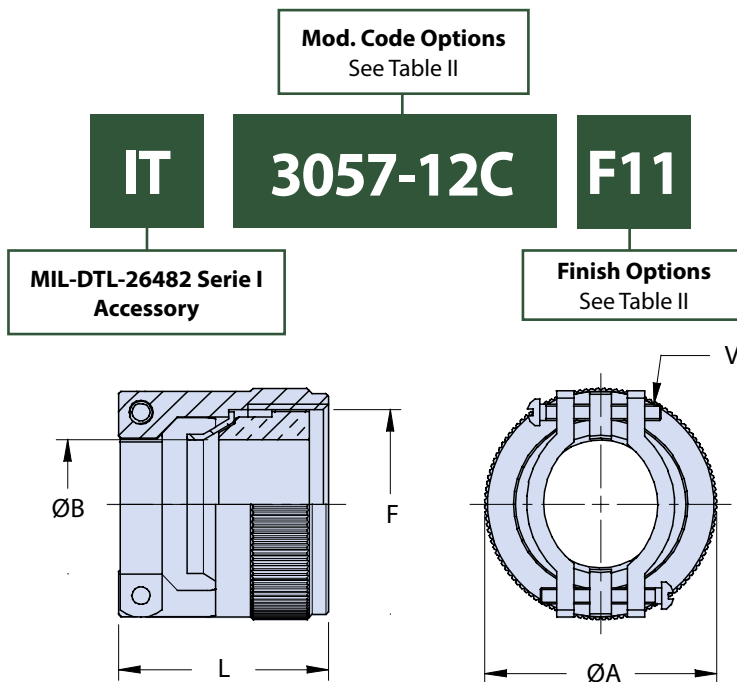
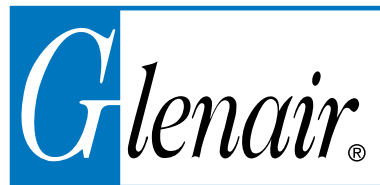


TABLE II: MODIFICATION CODES

Shell Finish (Omit for Standard Cad/Olive Drab Finish)
F6 - Black Electrodeposited Paint (RoHs)
F7 - Black Zinc Nickel (RoHs)
F11 - Electroless Nickel (RoHs)
MB - Marine Bronze (RoHs)

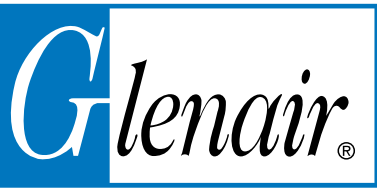
Application Notes

Waterproof cable clamp suitable for jacketed cable or wires protected by tubing. Assures watertight integrity of connector.



TABLE I: DIMENSIONS

GLENNAIR P/N	Shell size	Sleeve to use	ØA	ØB		F Thread in inches	L	V Thread
				min.	Max.			
IT3057 - 3C	8	IT3420 - 3A	20.0	0.68	5.56	0.5000 - 28UNEF	33.2	6 - 32 NC
IT3057 - 4C	10	IT3420 - 4A	22.6	2.38	7.93	0.6250 - 24UNEF	32.3	6 - 32 NC
IT3057 - 6C	12	IT3420 - 4A / 6A	25.8	5.84	11.12	0.7500 - 20UNEF	32.3	6 - 32 NC
IT3057 - 8C	14	IT3420 - 6A / 8A	28.1	8.00	13.84	0.8750 - 20UNEF	32.3	6 - 32 NC
IT3057 - 10C	16	IT3420 - 6A / 10A	31.0	9.60	15.87	1.0000 - 20UNEF	35.3	6 - 32 NC
IT3057 - 12C	18	IT3420 - 8A / 12A	37.3	11.30	19.00	1.1875 - 18NEF	35.7	8 - 32 NC
IT3057 - 12C	20	IT3420 - 8A / 12A	37.3	11.30	19.00	1.1875 - 18NEF	35.7	8 - 32 NC
IT3057 - 16C	22	IT3420 - 8A / 12A / 16A	42.0	15.50	23.80	1.4375 - 18NEF	38.5	8 - 32 NC
IT3057 - 16C	24	IT3420 - 8A / 12A / 16A	42.0	15.50	23.80	1.4375 - 18NEF	38.5	8 - 32 NC



IT 3420 and IT 3420-A Neoprene Sleeve

MIL-DTL-26482 Serie I
Accessory

Basic Part Number
and Shell Size

IT

3420-3

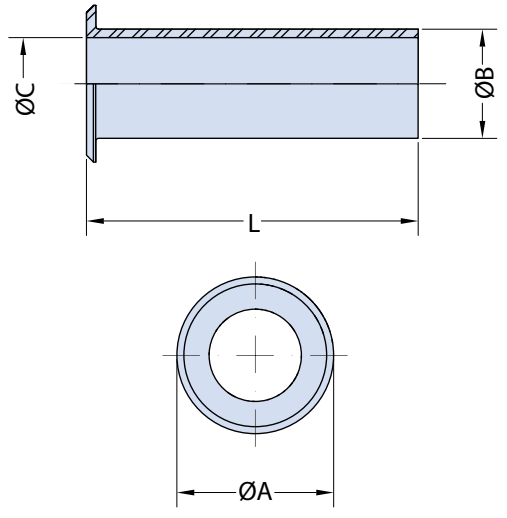


TABLE I: CLASS A CABLE CLAMPS

GLENAIR CODE	ØA	ØB	ØC	L
GLENAIR P/N				
IT3420 - 3	9.6	5.3	3.3	73.0
IT3420 - 4	12.8	7.7	5.6	69.9
IT3420 - 6	15.7	10.8	7.9	66.7
IT3420 - 8	18.9	14.0	11.1	63.5
IT3420 - 10	22.6	15.6	14.3	60.3
IT3420 - 12	27.5	18.8	15.9	57.2
IT3420 - 16	33.4	23.5	19.1	54.0

Application Notes

IT3420 : Neoprene sleeve for protection and reduction, used with class A cable clamps.

D

MIL-DTL-26482 Serie I
Accessory

Basic Part Number
and Shell Size

IT

3420-3A

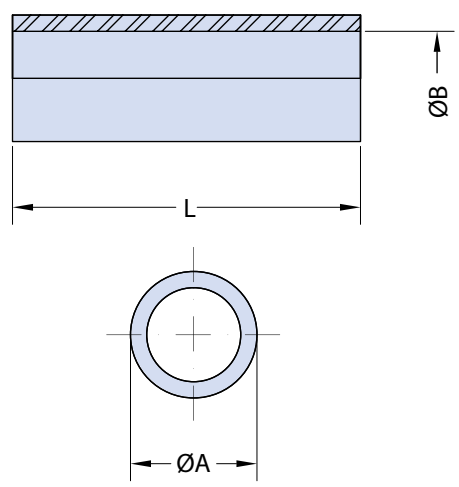


TABLE II: CLASS C CABLE CLAMPS

GLENAIR CODE	ØA	ØB	L
GLENAIR P/N			±0.8
IT3420 - 3A	5.3	3.2	50.8
IT3420 - 4A	7.7	5.6	50.8
IT3420 - 6A	10.8	7.9	50.8
IT3420 - 8A	13.5	11.1	50.8
IT3420 - 10A	15.6	11.1	50.8
IT3420 - 12A	18.8	13.7	50.8
IT3420 - 16A	23.5	19.1	50.8

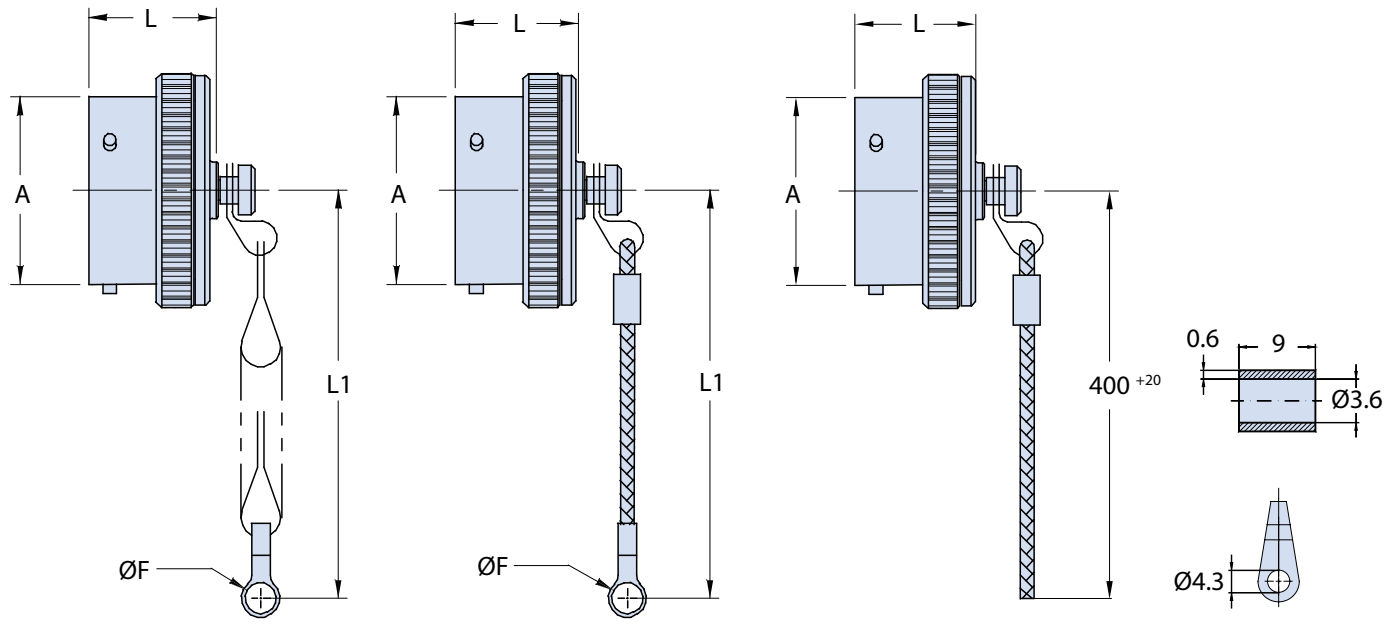
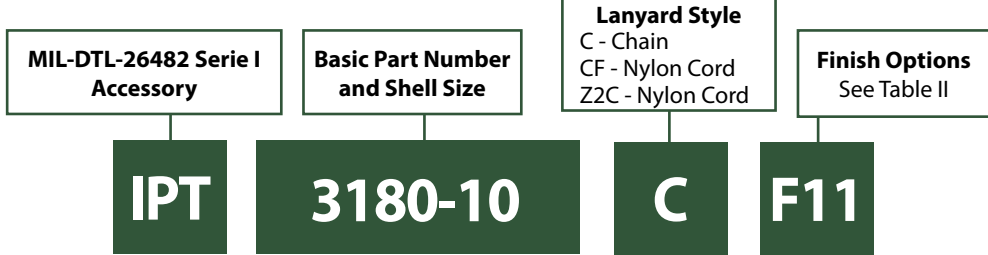
Application Notes

IT3420-A : Neoprene sleeve for protection and reduction, used with class C cable clamps.

IPT 3180-C and IPT 3180-CF Protective Plug Covers



IPT Bayonet Lock Connector Accessories



Example: IPT3180-18C
(Stainless Steel Chain)

Example: IPT3180-18CF
(Nylon Cord)

Example: IPT3180-18Z2C
(Nylon Cord with loose terminal link and sleeve)

D

GLENAIR P/N	Shell size	A +0.02 -0.12	ØF +0.2 0	L +0.6 0	L1 min.
IPT3180-8C	8	12.01	4.3	14.3	76.2
IPT3180-10C	10	14.98	4.3	14.3	76.2
IPT3180-12C	12	19.05	4.3	14.3	88.9
IPT3180-14C	14	22.22	4.3	14.3	88.9
IPT3180-16C	16	25.40	4.3	14.3	88.9
IPT3180-18C	18	28.57	4.3	14.3	88.9
IPT3180-20C	20	31.75	4.3	15.9	101.6
IPT3180-22C	22	34.92	4.3	15.9	101.6
IPT3180-24C	24	38.10	4.3	15.9	101.6

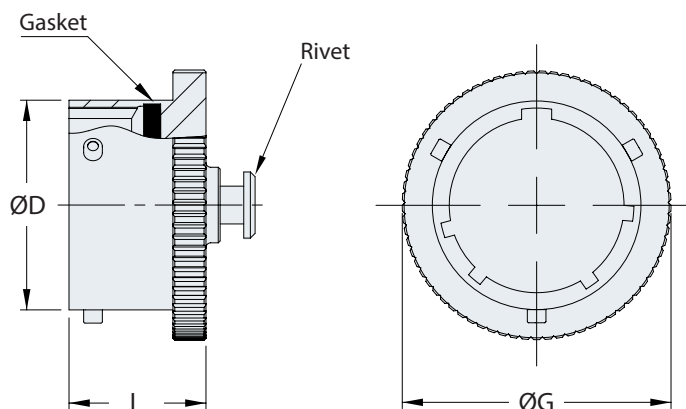
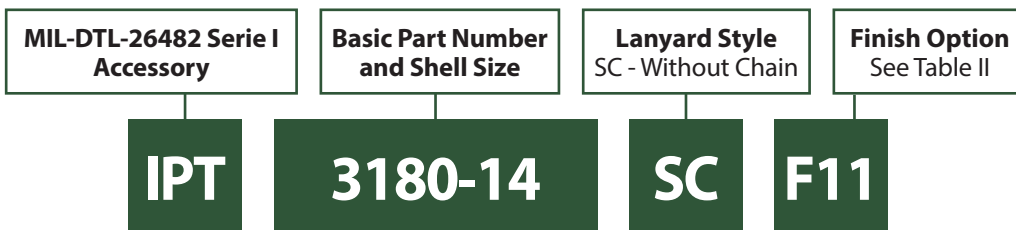
Application Notes
Metal protective cover for plug connectors with stainless steel chain or nylon cord.

TABLE II: MODIFICATION CODES

Shell Finish (Omit for Standard Cad/Olive Drab Finish)
F6 - Black Electrodeposited Paint (RoHs)
F7 - Black Zinc Nickel (RoHs)
F11 - Electroless Nickel (RoHs)
MB - Marine Bronze (RoHs)



IPT 3180-SC Protective Plug Cover Without Chain



D

TABLE I: DIMENSIONS

GLENAIR P/N	Shell Size	L Max.	ØD +0.02 -0.12	ØG Max.
IPT3180-8SC	8	14.5	12.01	18.0
IPT3180-10SC	10	14.5	14.98	22.0
IPT3180-12SC	12	14.5	19.05	26.0
IPT3180-14SC	14	14.5	22.22	29.0
IPT3180-16SC	16	14.5	25.40	32.0
IPT3180-18SC	18	14.5	28.57	35.0
IPT3180-20SC	20	16.0	31.75	38.0
IPT3180-22SC	22	16.0	34.92	41.0
IPT3180-24SC	24	17.0	38.10	44.5

Application Notes

Metal protective cover for plug connectors without chain. Includes gasket.

TABLE II: MODIFICATION CODES

Shell Finish (Omit for Standard Cad/Olive Drab Finish)
F6 - Black Electrodeposited Paint (RoHs)
F7 - Black Zinc Nickel (RoHs)
F11 - Electroless Nickel (RoHs)
MB - Marine Bronze (RoHs)

IPT 3181-C and IPT 3181-CF Protective Receptacle Covers



IPT Bayonet Lock Connector Accessories

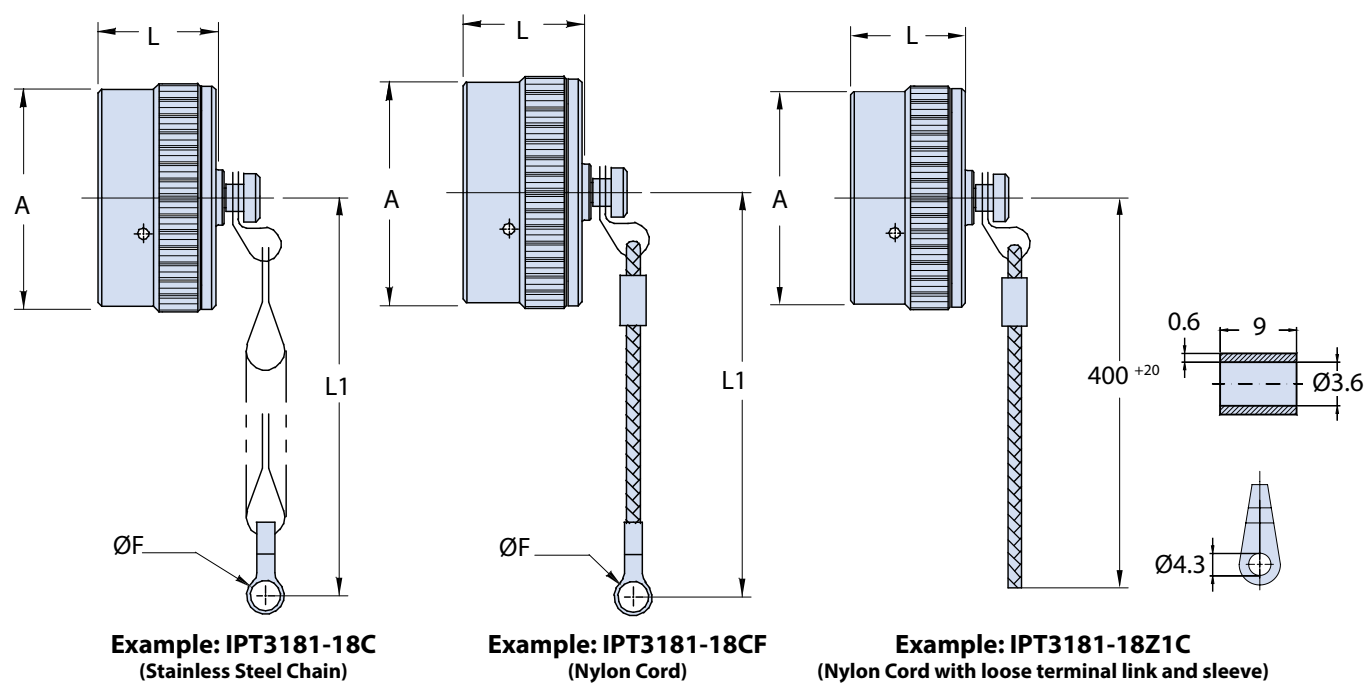
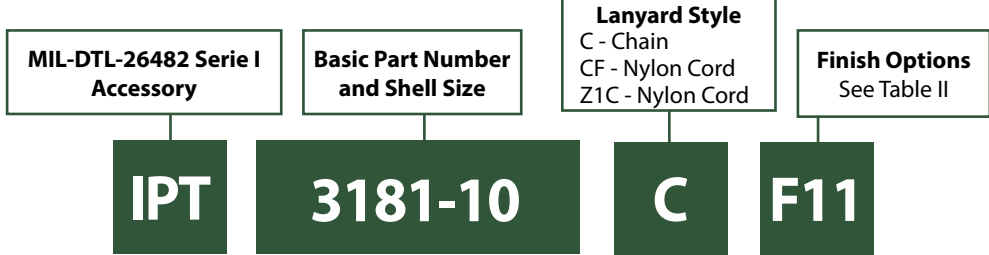


TABLE I: DIMENSIONS

GLENAIR P/N	Shell size	A Max.	ØF +0.2 -0	L Max.	L1 min.
IPT3181- 8C	8	17.95	4.3	14.30	76.2
IPT3181-10C	10	21.05	4.3	14.30	76.2
IPT3181-12C	12	25.40	4.3	14.30	88.9
IPT3181-14C	14	26.60	4.3	14.30	88.9
IPT3181-16C	16	31.80	4.3	14.30	88.9
IPT3181-18C	18	35.00	4.3	14.30	88.9
IPT3181-20C	20	38.00	4.3	14.30	101.6
IPT3181-22C	22	41.25	4.3	14.30	101.6
IPT3181-24C	24	44.40	4.3	15.30	101.6

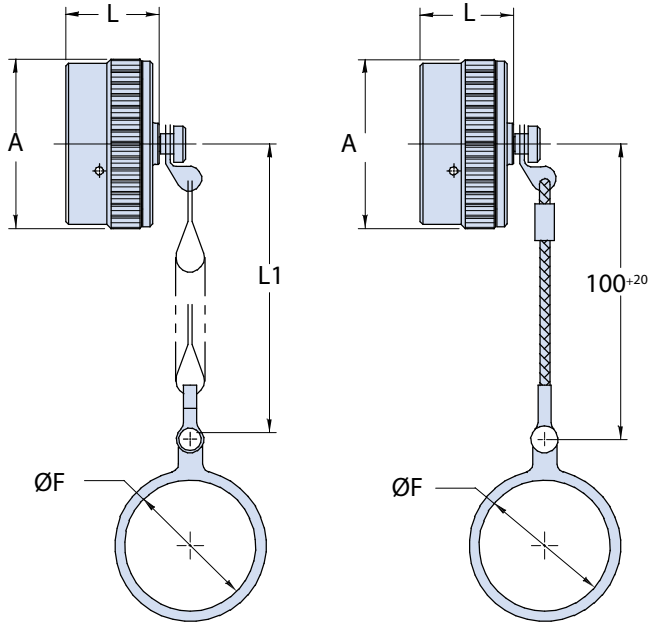
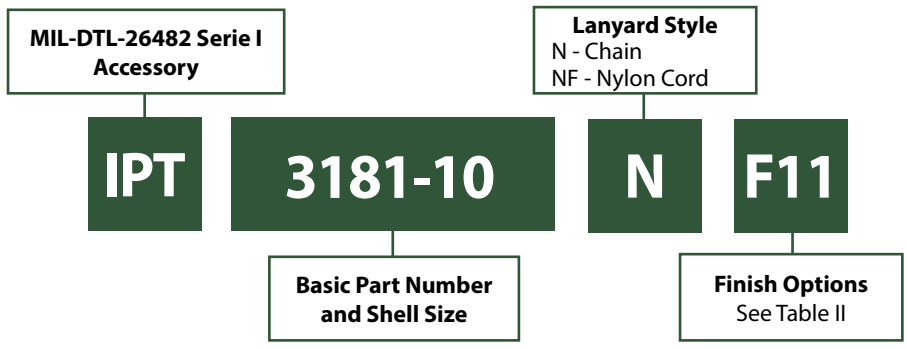
Application Notes
Metal protective cover for receptacle connectors with stainless steel chain or nylon cord.

TABLE II: MODIFICATION CODES

Shell Finish (Omit for Standard Cad/Olive Drab Finish)
F6 - Black Electrodeposited Paint (RoHs)
F7 - Black Zinc Nickel (RoHs)
F11 - Electroless Nickel (RoHs)
MB - Marine Bronze (RoHs)



IPT 3181-N and IPT 3181-NF Protective Jam Nut Receptacle Covers



Example: IPT3181-18N
(Stainless Steel Chain)

Example: IPT3181-18NF
(Nylon Cord)

TABLE I: DIMENSIONS

GLENAIR P/N	Shell size	A Max.	ØF +0.2 -0.1	L Max.	L1 min.
IPT3181- 8N	8	17.95	14.70	14.30	76.2
IPT3181-10N	10	21.05	17.85	14.30	76.2
IPT3181-12N	12	25.40	22.65	14.30	88.9
IPT3181-14N	14	26.60	25.80	14.30	88.9
IPT3181-16N	16	31.80	29.00	14.30	88.9
IPT3181-18N	18	35.00	32.15	14.30	88.9
IPT3181-20N	20	38.00	35.35	14.30	101.6
IPT3181-22N	22	41.25	38.50	14.30	101.6
IPT3181-24N	24	44.40	41.00	15.30	101.6

Application Notes
Metal protective cover for jam nut receptacle connectors with stainless steel chain or nylon cord.

TABLE II: MODIFICATION CODES

Shell Finish (Omit for Standard Cad/Olive Drab Finish)
F6 - Black Electrodeposited Paint (RoHs)
F7 - Black Zinc Nickel (RoHs)
F11 - Electroless Nickel (RoHs)
MB - Marine Bronze (RoHs)

IPT 3181-SC Protective Receptacle Cover Without Chain

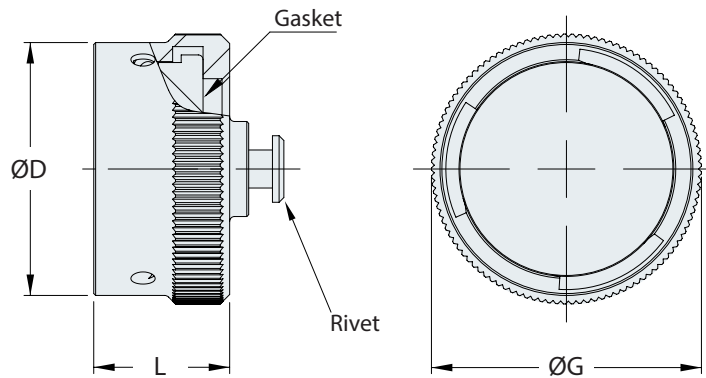
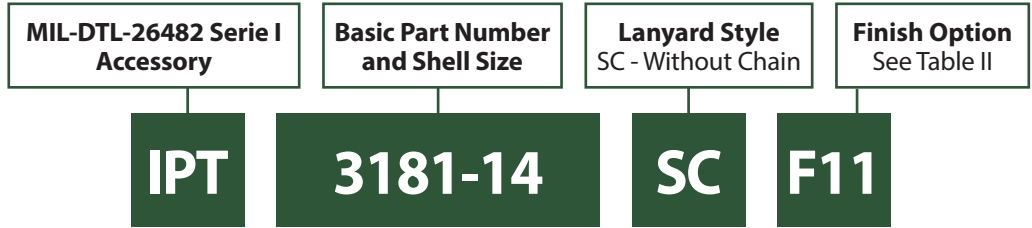


TABLE I: DIMENSIONS

GLENAIR P/N	Shell Size	L Max.	ØD +0.02 -0.12	ØG Max.
IPT3181-8SC	8	14.5	16.5	19.0
IPT3181-10SC	10	14.5	19.5	22.0
IPT3181-12SC	12	14.5	24.0	26.0
IPT3181-14SC	14	14.5	27.0	29.0
IPT3181-16SC	16	14.5	30.5	32.0
IPT3181-18SC	18	14.5	33.5	35.0
IPT3181-20SC	20	14.5	36.5	38.0
IPT3181-22SC	22	14.5	39.5	41.0
IPT3181-24SC	24	15.5	43.0	44.5

Application Notes

Metal protective cover for receptacle connectors without chain. Includes gasket.

TABLE II: MODIFICATION CODES

Shell Finish (Omit for Standard Cad/Olive Drab Finish)
F6 - Black Electrodeposited Paint (RoHs)
F7 - Black Zinc Nickel (RoHs)
F11 - Electroless Nickel (RoHs)
MB - Marine Bronze (RoHs)



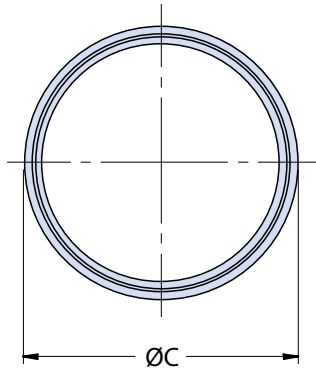
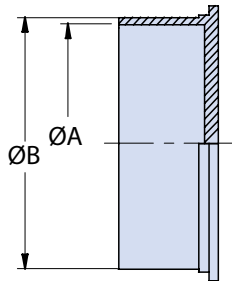
IT 90376-R and IT 90376-Y Protective Receptacle and Plug Plastic Caps

MIL-DTL-26482 Serie I
Accessory

Basic Part Number
and Shell Size

IT

90376-10R



Application Notes

Plastic caps for protection against dust and damage.

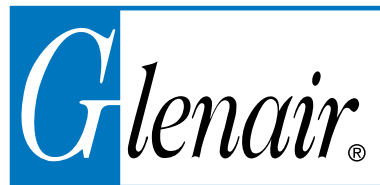
TABLE I: RECEPTACLE CAP DIMENSIONS

GLENAIR P/N	Shell size	ØA ±0.25	ØB ±0.25	ØC ±0.78
IT 90376-8R	Receptacle 8	12.19	13.71	18.79
IT 90376-12Y	Receptacle 10	15.36	16.89	21.33
IT 90376-14R	Receptacle 12	18.28	19.68	24.63
IT 90376-15R	Receptacle 14	21.59	22.98	28.57
IT 90376-18R	Receptacle 16	24.71	26.28	30.98
IT 90376-20Y	Receptacle 18	27.76	29.33	33.78
IT 90376-22R	Receptacle 20	31.26	33.04	37.21
IT 90376-24Y	Receptacle 22	34.03	35.81	40.38
TP 02-24	Receptacle 24	37.16	38.93	43.18

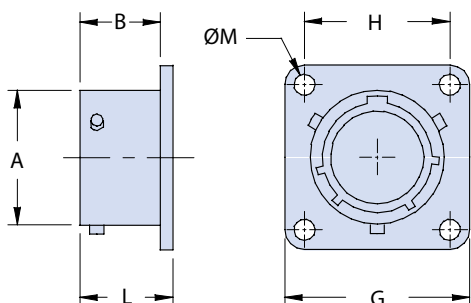
TABLE II: PLUG CAP DIMENSIONS

GLENAIR P/N	Shell size	ØA ±0.25	ØB ±0.25	ØC ±0.78
IT 90376-12R	Plug 8	10.49	12.26	17.01
IT 90376-14Y	Plug 10	13.46	15.11	19.05
IT 90376-16R	Plug 12	16.63	18.16	21.84
IT 90376-20R	Plug 14	19.93	21.46	26.18
IT 90376-18R	Plug 16	22.68	24.46	28.57
IT 90376-22R	Plug 18	26.11	27.63	31.75
IT 90376-24R	Plug 20	29.21	30.86	35.71
TP 02-24	Plug 22	32.25	34.03	38.10
IT 90376-28Y	Plug 24	35.30	37.08	41.65

IPT 3115 and IPT 3115A Dummy Stowage Receptacles

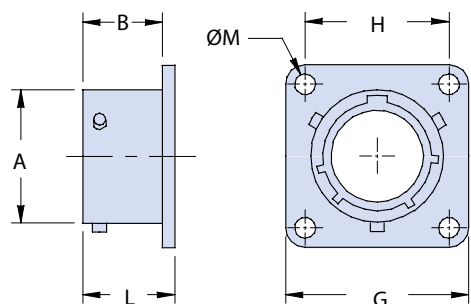


MIL-DTL-26482 Serie I Accessory	Basic Part Number and Shell Size	Finish Options See Table II
IPT	3115-10	F11



Application Notes
IPT3115 : Dummy receptacle with rear base and seal.
In conformity with MIL-DTL-26482 Serie I.

MIL-DTL-26482 Serie I Accessory	Basic Part Number and Shell Size	Finish Options See Table II
IPT	3115-10A	F11



Application Notes
IPT3115A : Dummy receptacle without rear base and seal.



TABLE I

Shell size	A +0.02 -0.12	B +0.25 -0	G ±0.4	H ±0.1	L +0.6 -0.25	ØM +0.1 0
8	12.01	10.95	20.6	15.10	12.5	3.04
10	14.98	10.95	23.8	18.25	12.5	3.04
12	19.05	10.95	26.2	20.60	12.5	3.04
14	22.22	10.95	28.6	23.00	12.5	3.04
16	25.40	10.95	31.0	24.60	12.5	3.04
18	28.57	10.95	33.3	27.00	12.5	3.04
20	31.75	14.10	36.5	29.35	16.5	3.04
22	34.92	14.10	39.7	31.75	16.5	3.04
24	38.10	15.00	42.8	34.92	17.3	3.73

TABLE II: MODIFICATION CODES

Shell Finish (Omit for Standard Cad/Olive Drab Finish)
F6 - Black Electrodeposited Paint (RoHs)
F7 - Black Zinc Nickel (RoHs)
F11 - Electroless Nickel (RoHs)
MB - Marine Bronze (RoHs)

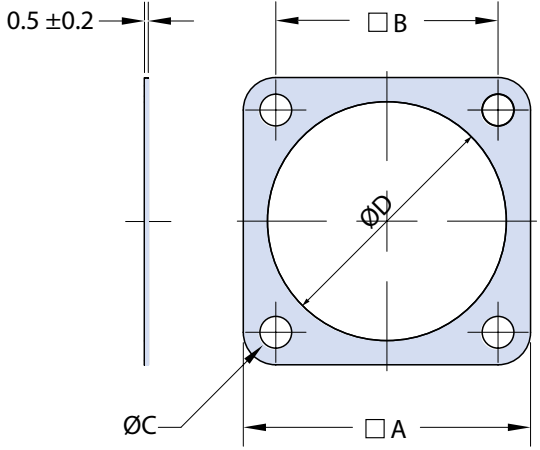


10-101949 and 10-101949-S Square Flange Panel Mount Receptacle Sealing Gaskets

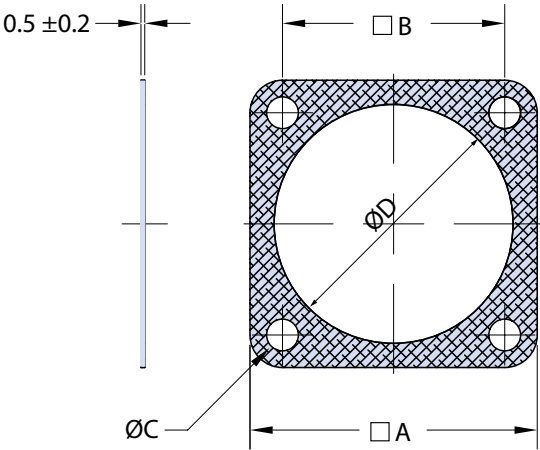
**Basic Part Number
and Shell Size (See Table I and II)**

**Material
See Table III**

10-101949 -XX S



Example: 10-101949-XX



Example: 10-101949-XXS

TABLE I (NON CONDUCTIVE)

GLENAIR P/N	Shell size	□ A Max	□ B ±0.3	ØC min.	ØD +0.1 / 0
10-101949-8	8	22.7	15.10	3.1	12.7
10-101949-10	10	25.8	18.30	3.1	15.9
10-101949-12	12	28.2	20.60	3.1	19.0
10-101949-14	14	30.6	23.00	3.1	22.2
10-101949-16	16	33.0	24.60	3.1	25.4
10-101949-18	18	35.4	27.00	3.1	28.6
10-101949-20	20	38.5	29.40	3.1	31.7
10-101949-22	22	41.7	31.80	3.1	34.9
10-101949-24	24	44.9	34.90	4.2	38.1

TABLE II (CONDUCTIVE)

GLENAIR P/N	Shell size	□ A Max	□ B ±0.3	ØC min.	ØD +0.1 / 0
10-101949-8S	8	20.6	15.10	3.3	12.7
10-101949-10S	10	23.8	18.25	3.3	15.9
10-101949-12S	12	26.2	20.60	3.3	19.1
10-101949-14S	14	28.6	23.00	3.3	22.3
10-101949-16S	16	31.0	24.60	3.3	25.5
10-101949-18S	18	33.3	27.00	3.3	28.6
10-101949-20S	20	36.5	29.35	3.3	31.8
10-101949-22S	22	39.7	31.75	3.3	35.0
10-101949-24S	24	42.9	34.90	4.0	38.2

TABLE III

MATERIAL	
Sym	Description
	Omit for Neoprene
S	Wire Mesh in Neoprene Substrate (Conductive)
F	Fluorosilicone
V	Viton
Y	Silicone

D

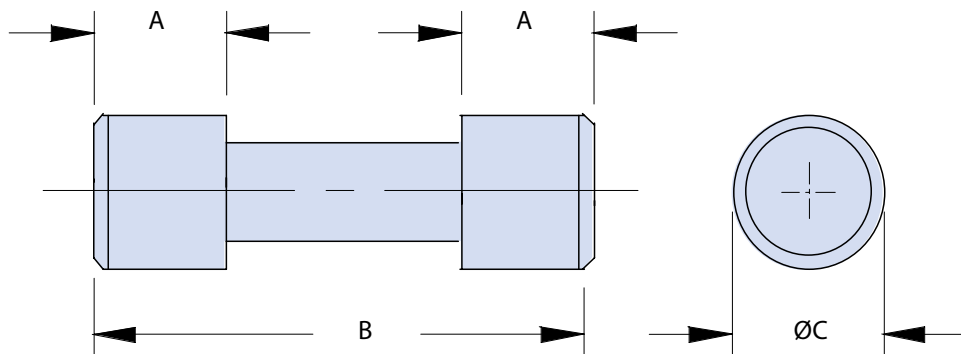
Sealing Plug for Wire Sealing Grommet



IPT Bayonet Lock
Connector
Accessories

Basic Part Number

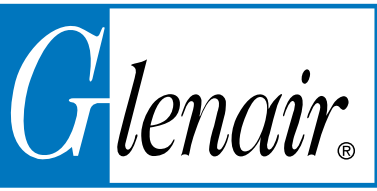
10-101033



D

TABLE I

GLENAIR P/N	Contact size	A ±0.13	B ±0.25	ØC ±0.13	Color
10-101033-11	20	2.92	9.53	2.4	Red
10-101033-12	16	3.17	11.91	3.68	Blue
10-101033-13	12	4.60	3.70	3.20	Yellow



IPT Series Tools

IPT CRIMP TOOLS - PIN CONTACTS

Diagram	Type of contact	Connector Size	A	ØB	ØC	ØD	Conductor Size		MANUAL TOOL	*PNEUMATIC TOOL TYPE "A"	TURRET	INSERTION TOOL		EXTRACTION TOOL														
							mm ²	AWG																				
	10-374-20	20S	8÷18	20,4	1	1,3	1,93	20	M. 105001	M22520.1.01 AF8 DMC	M. 105003	WA27F DMC	M. 105011 (or M.105008)	M22520/1.02 DMC TH1A (or VH441 DMC)	M. 117346	GLENNAIR IT TOOL	M. 118251	GLENNAIR IT TOOL										
								22											M. 105001	M22520.1.01 AF8 DMC	M. 105003	WA27F DMC	M. 105011 (or M.105008)	M22520/1.02 DMC TH1A (or VH441 DMC)	M. 117346	GLENNAIR IT TOOL	M. 118251	GLENNAIR IT TOOL
								24																				
10-374-16	16S	8÷18	22,3	1,57	1,72	2,6	0,5÷1	M. 105001	M22520.1.01 AF8 DMC	M. 105003	WA27F DMC	M. 105011 (or M.105008)	M22520/1.02 DMC TH1A (or VH441 DMC)	M. 117083	GLENNAIR IT TOOL	M. 118251	GLENNAIR IT TOOL											
							18											M. 105001	M22520.1.01 AF8 DMC	M. 105003	WA27F DMC	M. 105011 (or M.105008)	M22520/1.02 DMC TH1A (or VH441 DMC)	M. 117083	GLENNAIR IT TOOL	M. 118251	GLENNAIR IT TOOL	
							20																					
10-375-20	20	20÷24	24,3	1	1,3	1,93	0,2÷0,5	M. 105001	M22520.1.01 AF8 DMC	M. 105003	WA27F DMC	M. 105011 (or M.105008)	M22520/1.02 DMC TH1A (or VH441 DMC)	M. 117346	GLENNAIR IT TOOL	M. 118251	GLENNAIR IT TOOL											
							22											M. 105001	M22520.1.01 AF8 DMC	M. 105003	WA27F DMC	M. 105011 (or M.105008)	M22520/1.02 DMC TH1A (or VH441 DMC)	M. 117346	GLENNAIR IT TOOL	M. 118251	GLENNAIR IT TOOL	
							24																					
10-375-16	16	20÷24	24,3	1,57	1,72	2,6	0,2÷0,5	M. 105001	M22520.1.01 AF8 DMC	M. 105003	WA27F DMC	M. 105011 (or M.105008)	M22520/1.02 DMC TH1A (or VH441 DMC)	M. 117083	GLENNAIR IT TOOL	M. 118251	GLENNAIR IT TOOL											
							18											M. 105001	M22520.1.01 AF8 DMC	M. 105003	WA27F DMC	M. 105011 (or M.105008)	M22520/1.02 DMC TH1A (or VH441 DMC)	M. 117083	GLENNAIR IT TOOL	M. 118251	GLENNAIR IT TOOL	
							20																					
10-373-12S	12S	8÷18	22,5	2,38	2,5	3,8	2,5÷3	M. 105001	M22520.1.01 AF8 DMC	M. 105003	WA27F DMC	M. 105012	M22520/1.05	M. 117082	GLENNAIR IT TOOL	M. 118250	GLENNAIR IT TOOL											
							14											M. 105001	M22520.1.01 AF8 DMC	M. 105003	WA27F DMC	M. 105012	M22520/1.05	M. 117082	GLENNAIR IT TOOL	M. 118250	GLENNAIR IT TOOL	
							12																					
10-373-12	12	8÷18	26,3	2,38	2,5	3,8	2,5÷3	M. 105001	M22520.1.01 AF8 DMC	M. 105003	WA27F DMC	M. 105012	M22520/1.05	M. 117082	GLENNAIR IT TOOL	M. 118250	GLENNAIR IT TOOL											
							14											M. 105001	M22520.1.01 AF8 DMC	M. 105003	WA27F DMC	M. 105012	M22520/1.05	M. 117082	GLENNAIR IT TOOL	M. 118250	GLENNAIR IT TOOL	
							12																					

IPT CRIMP TOOLS - SOCKET CONTACTS

Diagram	Type of contact	Connector Size	A	ØB	ØC	ØD	Conductor Size		MANUAL TOOL	*PNEUMATIC TOOL TYPE "A"	TURRET	INSERTION TOOL		EXTRACTION TOOL		GUIDE PIN																
							mm ²	AWG																								
	10-571-20LC	20S	8÷18	20,4	1,08	1,3	1,93	0,2-0,5	M. 105001	M22520.1.01 AF8 DMC	M. 105003	WA27F DMC	M. 105011 (or M.105008)	M22520/1.02 DMC TH1A (or VH441 DMC)	M. 117346	GLENNAIR IT TOOL	M. 118251	GLENNAIR IT TOOL	M. 125007	GLENNAIR IT TOOL												
								22													M. 105001	M22520.1.01 AF8 DMC	M. 105003	WA27F DMC	M. 105011 (or M.105008)	M22520/1.02 DMC TH1A (or VH441 DMC)	M. 117346	GLENNAIR IT TOOL	M. 118251	GLENNAIR IT TOOL	M. 125007	GLENNAIR IT TOOL
								24																								
10-571-16LC	16S	8÷18	22,3	1,07	1,72	2,6	0,5 ÷1	M. 105001	M22520.1.01 AF8 DMC	M. 105003	WA27F DMC	M. 105001 (or M.105008)	M22520/1.02 DMC TH1A (or VH441 DMC)	M. 117083	GLENNAIR IT TOOL	M. 118251	GLENNAIR IT TOOL	M. 125001	GLENNAIR IT TOOL													
							18													M. 105001	M22520.1.01 AF8 DMC	M. 105003	WA27F DMC	M. 105001 (or M.105008)	M22520/1.02 DMC TH1A (or VH441 DMC)	M. 117083	GLENNAIR IT TOOL	M. 118251	GLENNAIR IT TOOL	M. 125001	GLENNAIR IT TOOL	
							20																									
10-573-20LC	20	20÷24	24,3	1,08	1,3	1,93	0,2-0,5	M. 105001	M22520.1.01 AF8 DMC	M. 105003	WA27F DMC	M. 105011 (or M.105008)	M22520/1.02 DMC TH1A (or VH441 DMC)	M. 117346	GLENNAIR IT TOOL	M. 118251	GLENNAIR IT TOOL	M. 125007	GLENNAIR IT TOOL													
							22													M. 105001	M22520.1.01 AF8 DMC	M. 105003	WA27F DMC	M. 105011 (or M.105008)	M22520/1.02 DMC TH1A (or VH441 DMC)	M. 117346	GLENNAIR IT TOOL	M. 118251	GLENNAIR IT TOOL	M. 125007	GLENNAIR IT TOOL	
							24																									
10-573-16LC	16	20÷24	24,3	1,07	1,72	2,6	0,5-1	M. 105001	M22520.1.01 AF8 DMC	M. 105003	WA27F DMC	M. 105011 (or M.105008)	M22520/1.02 DMC TH1A (or VH441 DMC)	M. 117083	GLENNAIR IT TOOL	M. 118251	GLENNAIR IT TOOL	M. 125001	GLENNAIR IT TOOL													
							18													M. 105001	M22520.1.01 AF8 DMC	M. 105003	WA27F DMC	M. 105011 (or M.105008)	M22520/1.02 DMC TH1A (or VH441 DMC)	M. 117083	GLENNAIR IT TOOL	M. 118251	GLENNAIR IT TOOL	M. 125001	GLENNAIR IT TOOL	
							20																									
10-576-12S	12S	8÷18	21,45	2,48	2,5	3,8	2,5÷3	M. 105001	M22520.1.01 AF8 DMC	M. 105003	WA27F DMC	M. 105012	M22520/1.05	M. 117082	GLENNAIR IT TOOL	M. 118250	GLENNAIR IT TOOL	M. 125002	GLENNAIR IT TOOL													
							14													M. 105001	M22520.1.01 AF8 DMC	M. 105003	WA27F DMC	M. 105012	M22520/1.05	M. 117082	GLENNAIR IT TOOL	M. 118250	GLENNAIR IT TOOL	M. 125002	GLENNAIR IT TOOL	
							12																									
10-576-12	12	8÷18	25,4	2,48	2,5	3,8	2,5÷3	M. 105001	M22520.1.01 AF8 DMC	M. 105003	WA27F DMC	M. 105012	M22520/1.05	M. 117082	GLENNAIR IT TOOL	M. 118250	GLENNAIR IT TOOL	M. 125002	GLENNAIR IT TOOL													
							14													M. 105001	M22520.1.01 AF8 DMC	M. 105003	WA27F DMC	M. 105012	M22520/1.05	M. 117082	GLENNAIR IT TOOL	M. 118250	GLENNAIR IT TOOL	M. 125002	GLENNAIR IT TOOL	
							12																									

* Use together as alternative.

IPT-SE CRIMP TOOLS - PIN AND SOCKET CONTACTS

	Type of contact		Conductor Size											
	mm ²	AWG			MANUAL TOOL		*PNEUMATIC TOOL TYPE "A"		TURRET		INSERTION TOOL		EXTRACTION TOOL	
10-314980-20P	20	0,2-0,5	20 22 24	M. 105001	M22520.1.01 AF8 DMC	M. 105003	WA27F DMC	M. 105011 (or M.105008)	M22520/1.02 DMC TH1A (or VH441 DMC)	M. 117349	DAK20 DMC	M. 118290	DRK20 DMC	
10-314980-20S	20	0,2-0,5	20 22 24	M. 105001	M22520.1.01 AF8 DMC	M. 105003	WA27F DMC	M. 105011 (or M.105008)	M22520/1.02 DMC TH1A (or VH441 DMC)	M. 117349	DAK20 DMC	M. 118290	DRK20 DMC	
10-314980-16S	16	0,5 ÷1	16 18 20	M. 105001	M22520.1.01 AF8 DMC	M. 105003	WA27F DMC	M. 105011 (or M.105008)	M22520/1.02 DMC TH1A (or VH441 DMC)	M. 117350	DAK16 DMC	M. 118291	DRK16 DMC	
10-314980-16P	16	0,5 ÷1	16 18 20	M. 105001	M22520.1.01 AF8 DMC	M. 105003	WA27F DMC	M. 105011 (or M.105008)	M22520/1.02 DMC TH1A (or VH441 DMC)	M. 117350	DAK16 DMC	M. 118291	DRK16 DMC	

* Use together as alternative.





The Faster 4/8 Pole Interconnect System for Ethernet Data Applications

ITH connector with Octobyte™ contacts is available with fully dedicated ETHERNET protocol or in a combo version where a mix of signal-power and Ethernet is required. RoHS compliant, IP67 (IP68 on request) exceeds performance expectations typical in harsh environmental applications found throughout Rail and Industrial markets.

OCTOBYTE™ contacts are vibration resistant and available to work with ETHERNET cables from CAT 5 to CAT 7A, MVB-WTB, RG58 Coax.



Adam E. Moreira

Commuter Applications

ITH connectors with OCTOBYTE™ contacts are easy and fast to assemble, making them best solution for harsh environment applications where signal reliability is a must:

- **Commuter Rail**
- **Passenger Information Systems** (Audio/Video/Digital displays)
- **Monitoring and Control** (Braking/Doors/Lighting/Data)
- **Heavy Industry**
- **Data Control**
- **Safety Systems**

Tested according to:
ISO F0 STP: CAT 7A
EN50173-1 F600-STP: CAT 7
EN50173-1 D STP: CAT 5E

Tested for compliance according to EN50173-1 standards set for CAT5E and CAT7. Testing was conducted using 12 jumpers, each 7.5 mt. in length for a total of 90 mt.



Masa Kazu Matsumoto

Passenger Information Systems



Glenair Italia S.p.A.
Via del Lavoro, 7.
40057 - Quarto Inferiore
91201-2497
Granarolo dell'Emilia - Italy
Tel. +39 051 782811
Fax +39 051 782259
info@glenair.it
www.glenair.it



IPT SE and IPT Series

Product index
Section E



**Additional Interconnect Solutions
from the Glenair Power Products Group**

E-2 ; E-3

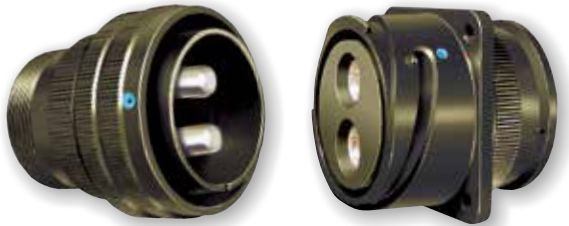
INDEX

E-5

E



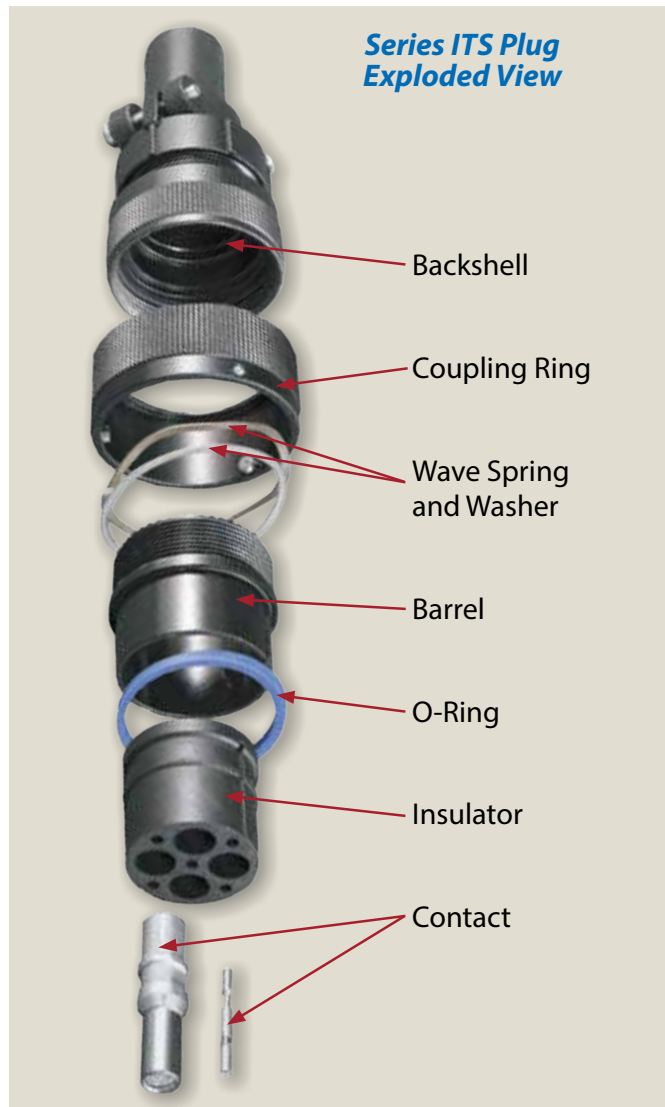
Additional Interconnect Solutions from the Glenair Power Products Group



Industry standard reverse-bayonet power and signal connectors (Glenair Series ITS)

- Dozens of proven connector technologies for harsh application environments
- Hundreds of power and signal contact arrangements (crimp and solder)
- Threaded, reverse bayonet, and innovative latch-and-lock coupling technologies
- Flame-resistant, caustic substance-free material choices for RoHS and other compliance standards

Industrial power and signal connectors for rugged applications—from mining equipment to monorails



Wide range of available catalog solutions

- Series ITS - Reverse-Bayonet Power and Signal*
- Series IT - Threaded Coupling Power and Signal*
- Series ITH - High Performance Rigid Insert Power*
- Series IPT - Standard Bayonet Power and Signal*
- Series IPT-SE - Standard Bayonet Crimp Contact*
- VG95234 - German Rail Qualified Reverse Bayonet**
- VG95328 - German Rail Qualified Standard Bayonet**
- VG96929 - German Rail Qualified High Voltage**
- Series ITZ - Triple-Start Thread Power and Signal*
- Series IRT - High Current High Voltage Rectangular*
- Series 901 - High Current Medium Voltage Circular*
- Series 500 - Reverse-Bayonet Single-Pole High Voltage*
- Series UJ - High Voltage Power Joint Connection System*



Glenair high-power tractor connector with TurboFlex™ cable, locking/lever coupling, and flexible standoff

**Additional Interconnect Solutions
from the Glenair Power Products Group**



IPT
Bayonet Lock
Connectors

Glenair Industrial/Rail Power and Signal Circular Connectors



**ITS-RG
Rubber-Coated**



**ITH
Rigid Insert**



**IPT and IPT SE
Standard Bayonet**



**Series ITS
Reverse-Bayonet**



**VG96929
Single-Pole High Current**



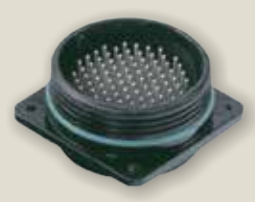
**VG95328 Qualified
Bayonet-Lock Connectors**



**Series CX
Coaxial Connector**



**Series IT
Threaded Coupling**



**ITZ
Triple-Start Coupling**

High-Current High-Voltage Power Connectors for Rail Applications



**IRT Series Rectangular
Multipole High Voltage
Connectors**



**ITS 901 Series Reverse Bayonet
Multi-Pole
Medium Voltage Connectors**



**ITS 500 Series Reverse Bayonet
Single-Pole
High Voltage Connectors**



UJ Series Connector System



Innovative tool-free locking and latching mechanisms

E

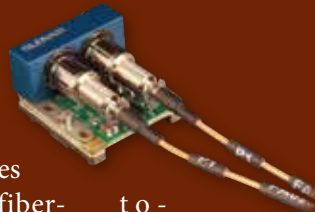
ETHERNET, VIDEO,
AND HIGH-SPEED
DATA NETWORKING

OPTO-ELECTRONIC INTERCONNECT SOLUTIONS

*For size and weight savings in avionics,
naval, ground tactical equipment, oil and gas,
industrial, mining, in-flight entertainment, and
other harsh application environments*



The need for reduced weight and small form-factor components, particularly in airframe and other high-performance environments, has led Glenair to develop a revolutionary new opto-electronic product series that incorporates transmitter and receiver functions, fiber-to-copper media conversion, and signal aggregation directly into interconnect wiring systems. These harsh-environment interconnect technologies reduce size and weight, and improve the performance of Ethernet, Video and High-Speed Digital applications—by leveraging the strengths of both electrical and optical media. Glenair offers both standard catalog solutions, as well as the integration of electronics or opto-electronics into rugged custom packages and cable assemblies per customer and application requirements.



Glenair®

Glenair, Inc.
1211 Air Way
Glendale, CA
91201-2497
818-247-6000
sales@glenair.com
www.glenair.com

Series IPT SE

Summary of Connector Styles and Backshell	A-1
IPT SE Series	B-1
High Performance Crimp Contact - Bayonet-Lock Signal Connectors (MIL-C-26482 Type)	B-2
High Performance Crimp Contact (MIL-C-26482 Type) - Styles and Classes	B-3
High Performance Crimp Contact (MIL-C-26482 Type) - Technical Data	B-5
How To Order - Part Number Breakdown	B-6
VG95328 Part Number Cross Reference	B-7
Materials and Finishes	B-8
Contact Dimensions - Pin and Socket	B-9
Insert Arrangement Tables and Sealing Plugs	B-10
Available Insert Arrangements	B-11
Fastener Height Requirements and Panel Cutout Dimensions	B-13
IPT 00 ASE Front Panel Mount Square Flange Receptacle with Backshell	B-14
IPT 00 SE Front Panel Mount Square Flange Receptacle with General Duty Backshell	B-16
IPT 00 ASE...N0 Front Panel Mount Square Flange Receptacle without Backshell	B-18
IPT 00 SE...SR Front Panel Mount Square Flange Receptacle with Backshell, Cable Clamp and Bushing.	B-20
IPT 00 GSE Front Panel Mount Square Flange Receptacle with Shrink Boot Backshell	B-22
IPT 00 MSE Front Panel Mount Square Flange Receptacle with Backshell for EMI Shield Termination and Shrink Boot	B-24
IPT 01 ASE In-Line Cable Connector with Backshell	B-26
IPT 01 SE In-Line Cable Connector with General Duty Backshell	B-28
IPT 01 ASE...N0 In-Line Cable Connector	B-30
IPT 01 SE...SR In-Line Cable Connector with Backshell, Cable Clamp and Bushing	B-32
IPT 01 GSE In-Line Cable Connector with Shrink Boot Backshell	B-34
IPT 01 MSE In-Line Cable Connector with Backshell for EMI Shield Termination and Shrink Boot	B-36
IPT 02 SE Box Mount Square Flange Receptacle	B-38
IPT 02 PP Through Bulkhead Receptacle	B-40
IPT 06 ASE Straight Plug Connector with Backshell to Accomodate MS3057 Cable Clamp (not included)	B-42



Glenair IPT SE and IPT Series Product Index

IPT 06 SE Straight Plug Connector with General Duty Backshell	B-44
IPT 06 ASE...N0 Straight Plug Connector without Backshell	B-46
IPT 06 SE...SR Straight Plug Connector with Backshell, Cable Clamp and Bushing	B-48
IPT 06 GSE Straight Plug Connector with Shrink Boot Backshell	B-50
IPT 06 MSE Straight Plug Connector with Backshell for EMI Shield Termination and Heat Shrink Boot	B-52
IPT 07 SE Rear Panel Mount Jam Nut Receptacle Connector with General Duty Backshell	B-54
IPT 07 SE...SR Rear Panel Mount Jam Nut Receptacle Connector and Backshell with Cable Clamp and Bushing	B-56
IPT 07 GSE Rear Panel Mount Jam Nut Receptacle Connector with Shrink Boot Backshell	B-58
IPT 07 MSE Rear Panel Mount Jam Nut Receptacle Connector with Backshell for EMI Shield Termination and Shrink Boot	B-60
IPT 08 MSE 90° Plug Connector with Backshell for EMI Shield Termination and Shrink Boot	B-62

Series IPT

IPT Series	C-1
Bayonet-Lock Signal Connectors (MIL-C-26482 Type) - Product Line Overview	C-2
High Performance Crimp Contact (MIL-C-26482 Type) - Styles and Classes	C-4
How To Order - Part Number Breakdown	C-7
Cross Section	C-8
Technical Data	C-9
Materials and Finishes	C-10
Contact Dimensions - Pin and Socket	C-11
Insert Arrangement Tables and Alternate Insert Positions	C-12
Alternate Key Positions for BS9522 F0017	C-13
Fastener Height Requirements and Panel Cutout Dimensions	C-14
Available Insert Arrangements	C-15
IPT 00 A Wall Mounting Receptacle with Backshell	C-18
IPT 00 A...N0 Wall Mounting Receptacle without Backshell	C-20
IPT 00 A...PG Wall Mounting Receptacle with PG Threaded Backshell	C-22
IPT 00 A...PH Wall Mounting Receptacle with Backshell and PG Cable Gland	C-24

Glenair IPT SE and IPT Series Product Index



IPT 00 A...PHM Wall Mounting Receptacle with PHM Backshell and Sleeves to Accomodate Various Cable Size	C-26
IPT 00 A...SR Wall Mounting Receptacle with Backshell, Bushing and Cable Clamp	C-28
IPT 00 E Wall Mounting Receptacle with General Duty Backshell	C-30
IPT 00 E...SR Wall Mounting Receptacle with Backshell, Bushing and Cable Clamp	C-32
IPT 00 G Wall Mounting Receptacle with Shrink Boot Backshell	C-34
IPT 00 J Wall Mounting Receptacle with Long Backshell and Cable Clamp	C-36
IPT 00 M Wall Mounting Receptacle with Backshell for EMI Shield Termination and Shrink Boot	C-38
IPT 00 W Wall Mounting Receptacle with Long Backshell, Metal Sleeve and Gland Seal	C-40
IPT 01 A In-Line Cable Connector with General Duty Backshell	C-42
IPT 01 A...N0 In-Line Cable Connector without Backshell	C-44
IPT 01 A...PG In-Line Cable Connector with PG Threaded Backshell	C-46
IPT 01 A...PH In-Line Cable Connector with Backshell and Plastic PG Cable Gland	C-48
IPT 01 A...PHM In-Line Cable Connector with PHM Backshell and Sleeves to Accomodate Various Cable Sizes	C-50
IPT 01 A...SR In-Line Cable Connector with Backshell, Cable Clamp and Bushing	C-52
IPT 01 E In-Line Cable Connector with General Duty Backshell	C-54
IPT 01 E...SR In-Line Cable Connector with Backshell, Cable Clamp and Bushing	C-56
IPT 01 G In-Line Cable Connector with Shrink Boot Backshell	C-58
IPT 01 J In-Line Cable Connector with Backshell, Cable Clamp and Sleeve	C-60
IPT 01 M In-Line Cable Connector with Backshell for EMI Shield Termination and Shrink Boot	C-62
IPT 01 W In-Line Cable Connector with Long Backshell, Metal Sleeve and Gland Seal	C-64
IPT 02 PP Through Bulkhead Receptacle	C-66
IPT 02 A and IPT 02 E Box Mounting Receptacle	C-68
IPT 02 Y Box Mounting Receptacle with Printed Circuit Board Terminations	C-70
IPT 06 A Straight Plug Connector with Backshell to Accomodate MS3057 Cable Clamp (not included)	C-72
IPT 06 A...N0 Straight Plug Connector with Accessory Threads	C-74
IPT 06 A...AT Straight Plug Connector with Accessory Threads and Arctic Coupling Nut	C-76





Glenair IPT SE and IPT Series Product Index

IPT 06 A...PG Straight Plug Connector with PG Threaded Backshell	C-78
IPT 06 A...PH Straight Plug Connector with Backshell and PG Cable Gland	C-80
IPT 06 A...PHM Straight Plug Connector with PHM Backshell and Sleeves to Accommodate Various Cable Sizes	C-82
IPT 06 A...PHM_ _EMI67 Straight Plug Connector with Backshell for EMI Shield Termination	C-84
IPT 06 A...SR Straight Plug Connector with Backshell, Cable Clamp and Bushing	C-86
IPT 06 E Straight Plug Connector with General Duty Backshell	C-88
IPT 06 E...PG Straight Plug Connector with PG Threaded Backshell	C-90
IPT 06 E...SR Straight Plug Connector with Backshell, Cable Clamp and Bushing	C-92
IPT 06 G Straight Plug Connector with Backshell for Heat Shrink Boot	C-94
PT 06 J Straight Plug Connector with Long Backshell, Metal Sleeve, Cable Sealing Gland and Cable Clamp	C-96
IPT 06 W Straight Plug Connector with Long Backshell and Cable Sealing Gland	C-98
IPT 06 M Straight Plug Connector with Backshell Suitable for EMI Shield Termination and Heat Shrink Boot	C-100
IPT 07 A Rear Box Mount Jam Nut Receptacle Connector	C-102
IPT 07 E Rear Panel Mount Jam Nut Receptacle Connector with Backshell	C-104
IPT 07 E...SR Rear Panel Mount Jam Nut Receptacle Connector and Backshell with Cable Clamp and Bushing	C-106
IPT 07 Y Rear Box Mount Jam Nut Receptacle with Printed Circuit Board Contacts	C-108
IPT 071 YK Rear Box Mount Jam Nut Receptacle with Standoff and Printed Circuit Board Contacts	C-110
IPT 08 AM Plug Connector with 90° Backshell Suitable for MS3057 Cable Clamp	C-112
IPT 08 A...PHM Plug Connector with 90° PHM Backshell and Sleeves to Accommodate Various Cable Sizes	C-114
IPT 08 EM Plug Connector with 90° Backshell for MS3057-A Cable Clamp	C-116
IPT 08 M Plug Connector with 90° Backshell for Shield Termination and Shrink Boot	C-118
IPT 26 A Panel Plug Connector	C-120



Series IPT SE and IPT Connector Accessories and Tools

IPT Bayonet Lock Tools and Accessories Overview	D-1
IT 3057-A Cable Clamp	D-2
IT 3057-C Cable Clamp	D-3
IT 3420 and IT 3420-A Neoprene Sleeve	D-4
IPT 3180-C and IPT 3180-CF Protective Plug Covers	D-5
IPT 3180-SC Protective Plug Covers without Chain	D-6
IPT 3181-C and IPT 3181-CF Protective Receptacle Covers	D-7
IPT 3181-N and IPT 3181-NF Protective Jam Nut Receptacle Covers	D-8
IPT 3181-SC Protective Receptacle Covers without Chain	D-9
IT 90376-R and IT 90376-Y Protective Receptacle and Plug Plastic Caps	D-10
IPT 3115 and IPT 3115A Dummy Stowage Receptacles	D-11
10-101949 and 10-101949-S Square Flange Panel Mount Receptacle Sealing Gaskets	D-12
Sealing Plug for Wire Sealing Grommet	D-13
IPT Series Tools	D-14
IPT SE Series Tools	D-15

The Glenair logo features the word "Glenair" in a white serif font, with the "G" in a larger, blue-outlined font, set against a blue and white background.

INNOVATION

Performance • Durability • Ease of Use



Band-Master™ ATS

Well-Master™ 260°



SAV-CON®
CONNECTOR SAVERS

ARMORLITE™



This special industrial-strength capability guide provides a comprehensive overview of Glenair's "no gap" family of interconnect solutions for rugged industrial, rail, geophysical and power industry applications. No other interconnect manufacturer in the world offers such a broad range of connectors, backshells, wire protection conduit, shrink boots, tools and more for harsh-environment industrial applications. All our solutions are backed with our high availability customer service model, which includes in-stock inventory for thousands of critical part numbers, no dollar or quantity minimum orders, free samples upon request, free engineering and application development and more. Contact the factory or our industrial/rail product team for application engineering assistance.

Why CHOOSE Glenair?



Plenty of Raw Materials!



Outstanding
Customer Service!



Abundant Machining Capacity!



In-House Assembly!



Huge "Same-Day" Inventory!

Glenair®



Out of This World

INTERCONNECT SOLUTIONS

Glenair, Inc.

1211 Air Way • Glendale, California • 91201-2497

Telephone: 818-247-6000 • Fax: 818-500-9912 • sales@glenair.com

www.glenair.com

**Glenair Power
Products Group** Telephone: 203-741-1115
860 N. Main Street Extension Facsimile:
Wallingford, CT 203-741-0053
06492 sales@glenair.com

Glenair UK Ltd Telephone: +44-1623-638100
40 Lower Oakham Way Facsimile:
Oakham Business Park +44-1623-638111
P.O. Box 37, Mansfield sales@glenair.co.uk
Notts, NG18 5BY England

Glenair Microway Systems Telephone: 847-679-8833
7000 North Lawndale Avenue Facsimile:
Lincolnwood, IL 847-679-8849
60712

Glenair Nordic AB Telephone: +46-8-50550000
Gustav III : S Boulevard 46 sales@glenair.se
SE-169 27 Solna
Sweden

Glenair Electric GmbH Telephone: 06172 / 68 16 0
Schaberweg 28 Facsimile:
61348 Bad Homburg 06172 / 68 16 90
Germany germany@glenair.com

Glenair Iberica Telephone: +34-925-89-29-88
C/ La Vega, 16 Facsimile:
45612 Velada +34-925-89-29-87
Spain sales@glenair.es

Glenair Italia S.p.A. Telephone: +39-051-782811
Via Del Lavoro, 7 Facsimile:
40057 Quarto Inferiore – +39-051-782259
Granarolo dell'Emilia info@glenair.it
Bologna, Italy

Glenair France SARL Telephone: +33-5-34-40-97-40
7, Avenue Parmentier Facsimile:
Immeuble Central Parc #2 +33-5-61-47-86-10
31200 Toulouse sales@glenair.fr
France

Glenair Korea Telephone: +82-31-8068-1090
B-1304 Gunpo IT Valley Facsimile:
148 Gosan-Ro, Gunpo-Si +82-31-8068-1092
Kyunggi-Do, Korea sales@glenair.kr
435-733

