

MISSION-CRITICAL
INTERCONNECT
SOLUTIONS



ARMORLITE™

Braided Microfilament Ground Straps

Weight-Saving ArmorLite™ Microfilament Solutions for ESD,
Lightning Strike, and Aircraft Electrical Power Applications

JUNE 2022

SERIES 107
BRAIDED GROUND
STRAPS
LIGHTWEIGHT
CONFIGURABLE

ARMORLITE™

Braided Ground Straps for electrostatic discharge, lightning strike and aircraft electrical power distribution applications



Lightning strikes, static electricity, and transient electrical currents from power systems have enough electrical potential to cause discharge on an aircraft that can ignite ground fuelling equipment or fry avionics gear. These events are managed in aircraft, Navy ships, next-generation eVTOL air taxis, and elsewhere via electrical bonding. Flexible bonding straps connect equipment, airframes, and structural elements to flight control surfaces to conduct destructive electrical surges to ground or bus bar components capable of absorbing the transient voltage.

Glenair designs and supplies a broad range of lightweight braided ground strap technologies, from our signature ArmorLite™ microfilament braided material for both commercial and military applications.

- **Ultra-lightweight** ground straps with highly conductive or dissipative performance
- **Significant contribution to weight reduction initiatives** in commercial and military aircraft
- **Standard-Duty Drawn Metal A-A-59569** plated copper and stainless steel materials also available
- **Mil-aero designs** with strap and lug configuration options beyond the mil-spec
- **Fast turnaround** on requests for unusual and build-to-print requirements

Selection Guide

**THE ARMORLITE
ADVANTAGE**

Lightweight
microfilament braided
ground straps



107-105 100% ArmorLite, our lightest weight braid configuration

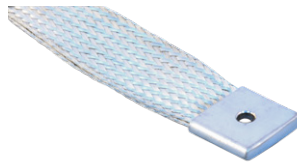
107-106 75% ArmorLite 25% Nickel Copper weight-saving conductive blend

107-107 50% ArmorLite 50% Nickel Copper weight-saving conductive blend

107-108 ArmorLite CF High-performance corrosion-free lightweight braid

**STANDARD-DUTY
GROUND STRAPS**

A-A-59569
soft-drawn braided
ground straps



107-101 Tin copper material ground straps

107-102 Silver copper material ground straps

107-103 Nickel copper material ground straps

107-104 Stainless steel material ground straps

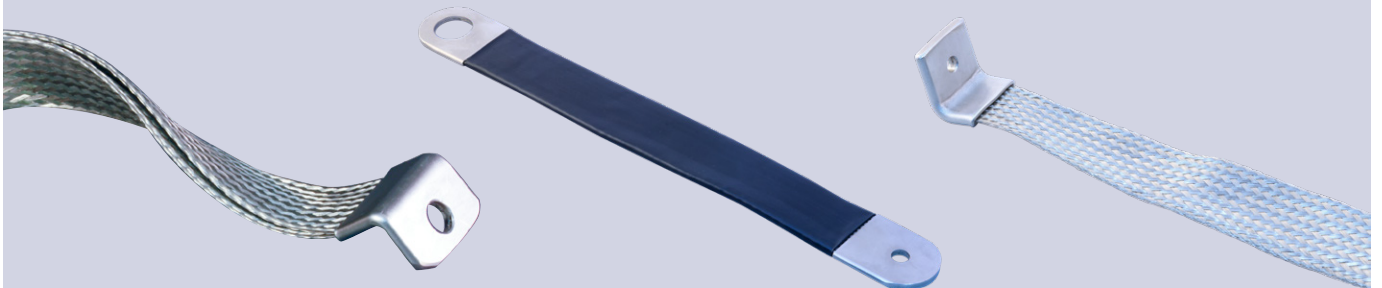
**MIL-SPEC
GROUND STRAPS**

with "better than
QPL" configuration
options



107-500 M24749-IV equivalent with configuration options beyond the mil-spec

VARIABLE LUG / HOLE / STRAP CONFIGURATION OPTIONS AVAILABLE ON ALL STYLES



Choose single-layer straps or dual-layer for strength and electrical performance

Available black or clear sleeving over strap. Square or radiused lugs and variable hole sizes

Straight, single right-angle, and dual right-angle configurable lugs

LIGHTWEIGHT

ARMORLITE™

Microfilament nickel-clad expandable stainless steel conductive braid material



ArmorLite™ is an ultra-lightweight microfilament stainless steel braiding material fabricated by Glenair into various forms of sleeving, shielding, and ground straps for EMI, lightning strike, and ESD applications

Save weight and fuel every time you fly! All-Up-Weight (AUW) has met its match: ArmorLite™ microfilament stainless steel braid material saves pounds compared to standard QQ-B-575/A-A-59569 solutions. Braided into cable shielding or ground straps, ArmorLite™ is a high-performance, high-strength, conductive stainless steel material ideally suited for use in aerospace applications. The principal benefit of ArmorLite™ is its extreme light weight compared to conventional nickel/copper braid material. By way of comparison, 100 feet of 5/8 inch ArmorLite™ braid is more than four pounds lighter than standard 575 A-A-59569 shielding. The ArmorLite braided ground straps in this catalog demonstrate outstanding performance in both ESD and lightning strike testing. Consult factory for complete test reports.

- **Ultra-lightweight** EMI/RFI braiding material for high-temperature applications -80°C to +260°C
- **Microfilament stainless steel: 70% lighter** than NiCu A-A-59569/QQB575
- **Outstanding electrical performance:** shielding, conductivity, and grounding
- **Commercial and military aerospace** qualifications
- **Superior flexibility** and “windowing” resistance
- **Strong:** 70,000 psi (min.) tensile strength
- **Best performing metallic braid** during lightning tests (IAW ANSI/EIA-364-75-1997 Waveform 5B)

LIGHTWEIGHT, FLEXIBLE ArmorLite™ Microfilament Braid



for EMI/RFI Grounding Applications

ArmorLite™ Material Performance Test Matrix			
DESCRIPTION	REQUIREMENT	PROCEDURE	REPORT
Altitude test 27,000 ft (5 PSIA nom.)	2.5% min.	RTCA DO-160F, Table 4-1, Table 4-2 Category C temp. spec	ARM-103
Operating Temperature	-80°C to +260°C	(Shielding effectiveness 1000 hours)	ARM-103
Braid Resistivity test, Pre and Post	Test pre/post-5 cycles-minimal disparity per spec.	EIA-364-32D IAW AS85049	ARM-110/1
Surface Transfer Impedance	Transfer Impedance (10.0 kHz ~ 1.0 GHz)	IEC 62153-4-3 min. 90% optical coverage	GT-17-263
Shield Effectiveness test, Pre and Post	Screening Attenuation (0 ~ 4.00 GHz)	IEC 62153-4-4 min. 90% optical coverage	GT-17-263
Tensile/ Pull Strength	220 lbs. (min.). No anomalies within 8% - 10% of pre test for variable sizes	Glenair ATP- 183. 0 lbs. to 90 lbs, to 150 lbs, to 220lbs @ speed of 0.25 inches/min	ARM-105
Specific Gravity Test	8.2 (max) per ISO-1183	ASTM A580 (ref 316L Stainless Steel)	ARM-109
Lightning Current Test	Glenair Qual. Test Plan 191/ DC resistance/ voltage criteria per DO-160F Level for 3 sizes up to 30Ka.	ANSI/EIA-364-75-1977 Wave Form 5B SAE/ARP5416 Section 6.3 Waveform 1, 3 (1, 10MHz) and 5A	ARM-110 ARM-112
Vertical Flammability	Self extinguishing ≤ 2 sec. Burn length 0.1 inch. max. Dripping 0.0 seconds.	14 CFR part 25.853 (a) AMdT25-116 Appendix F Part I (a) (1) (ii)	ARM-101
Mass Loss and Collected Volatile Condensable Materials	Total Mass Loss (TML) ≤1.0% Collected Volatile Condensable Matl.(CVM) ≤.1%	ASTM E-595	ARM-102
Salt Spray Test	DC Resistance IAW AS85049 .5 milliohm. No evidence of base metal on braid	ASTM B117-09 Sodium Chloride 5% 500 hrs.	ARM-100
Vibration Resistance	EAI Test Report 33247. DO160 section 8 Cat. R Vib. Curves E1	DO-160F RTCA/DO-160F, Section 9, Fig. 8-4. Curve E1. - 3 sizes - 3 hours on each axis.	ARM-111
Thermal Shock Cycling test and Resistivity	No adverse effects in visual inspection or resistance after 50 cycles	EIA-364-32D, Table 3 Test condition V -65°C to +175°C	ARM-113
Abrasion and Plating test	DC Resistance IAW AS 85049. Glenair internal QTR-003	ATP 180 20 continuous @ 6 cycles/min. over 3 arms with .030 radiused edges	ARM-107
Fluid Immersion Test	Material compatibility – see table below	Customer/AS4373D method 601 Mod	ARM-106
Flex Test	2 Cycles: starting 0° over vertical ctr. line across to 180° cycle. Total cycles of 25633	Glenair ATP 179	ARM-112

ArmorLite™ Material Fluid Resistance Testing						
Test Fluid	Test Temp °C	Test Temp °F	Immersion Time(h)	Requirement	Procedure	
MIL-L-23699, Lubricating Oil, Aircraft Turbine Engine, Synthetic Base	48-50	118-122	20	No fraying, DCResistance within limits (AS85049 paragraph 4.6.3)	SAE AS1241 Table 15/Mil-Std 810F Method 504 (modified), for all Substances. Additional conformance to Test Criteria AS4373D method 601 Mod	
MIL-H-5606 (Inactive for New Design), Hydraulic Fluid, Petroleum Base, Aircraft Missile, and Ordnance	48-50	118-122	20			
TTI-I-735, Solvent, Isopropyl Alcohol	20-25	68-77	168			
ASTM D 1153, Methyl Isobutyl Ketone (For use in organic coatings)	20-25	68-77	168			
MIL-DTL-5624 , Turbine Fuel, Aviation, Grade JP-4 either or MIL-T-83133, JP-8	20-25	68-77	168			
SAE AMS1424, Anti-Icing and Deicing-Defrosting Fluid, undiluted	48-50	118-122	20			
SAE AMS1424, Anti-Icing and Deicing-Defrosting Fluid, diluted 60/40 (fluid/water) ratio. Supersedes Coolanol 25 Item Q	48-50	118-122	20			
MIL-C-43616, Cleaning Compound, Aircraft Surface	48-50	118-122	20			
SAE AS 1241 , Fire Resistant Hydraulic Fluid for Aircraft	48-50	118-122	20			
MIL-L-7808, Lubricating Oil, Aircraft Turbine Engine, Synthetic Base	118-121	244-250	30			
MIL-C-87937, Cleaning Compound, Aircraft Surface, Alkaline, undiluted	63-68	145-154	20			
MIL-C-87937, Cleaning Compound, Aircraft Surface, Alkaline Waterbase, diluted 25175 (fluid/water) ratio	63-68	145-154	20			
TT-S-735, Standard Test Fluids; Hydrocarbon, Type I	20-25	68-77	168			
TT-S-735, Standard Test Fluids; Hydrocarbon, Type II	20-25	68-77	168			
TT-S-735, Standard Test Fluids; Hydrocarbon, Type III	20-25	68-77	168			
TT-S-735, Standard Test Fluids; Hydrocarbon, Type VII	20-25	68-77	168			
MIL-PRF-87252, Coolant Fluid, Hydrolytically Stable, Dielectric	20-25	68-77	168			

107-105 100% ArmorLite Microfilament Braid Configurable Crimp Lugs



HOW TO ORDER							
Sample Part Number	107-105	S	-RD	-64	A	E	-6 S
Product Series	100% ArmorLite ground strap						
Braid Layers	S = Single D = Double						
Lug Configuration	-SQ = Square Lugs -RD = Radiused Lugs -RA = Right-Angle Lugs -DRU = Double Right-Angle Lugs, Up-Up						
Size Code	12 – 64, See Dimensions Tables						
Lug 1 Hole	A – M, See Table. If two different sized lug holes are required, specify smaller lug hole in this location.						
Lug 2 Hole	A – M, See Table						
Length	In inches						
Insulation Sleeving	S = Black sleeving over braid C = Clear sleeving over braid Omit = No sleeving						



GROUND STRAP FEATURES

- For grounding airframe sections, dissipating static build-up in composite structures, dissipating lightning strike energy, and grounding individual moving parts
- 70+% weight savings over standard NiCu braid
- Approved for use by major airframe and equipment manufacturers
- Lightweight, durable, configurable crimp lugs: square, radiused, straight, single- and double-right-angle versions
- Available black or clear sleeving over braid

MATERIAL/FINISH

- ArmorLite, stainless steel 316L / nickel plate
- Lugs - Copper / nickel plate per AMS-C-26074
- Sleeving - per M23053 or equivalent

LUG HOLE SIZE CODES		
Hole Size Code	Ø C	Stud Size (Ref.)
A	.114/.122 (2.90/3.10)	#4
B	.142/.152 (3.61/3.86)	#6
C	.168/.178 (4.27/4.52)	#8
D	.193/.203 (4.90/5.16)	#10
E	.260/.275 (6.60/6.99)	1/4
F	.323/.338 (8.20/8.59)	5/16
G	.385/.400 (9.78/10.16)	3/8
H	.448/.463 (11.38/11.76)	7/16
J	.510/.525 (12.95/13.34)	1/2
K	.573/.588 (14.55/14.94)	9/16
L	.651/.666 (16.54/16.92)	5/8
M	.770/.785 (19.56/19.94)	3/4

SINGLE-LAYER ARMORLITE GROUND STRAP			
Size Code	Nom. Resistance mΩm/m	Max. Lug Code	Braid Weight (g/m)
12	54.0	B	11.5
16	36.0	D	16.5
20	35.0	E	18.0
24	27.5	F	21.5
32	14.5	G	43.0
40	12.5	J	52.5
48	10.0	L	64.5
64	7.0	M	85.0

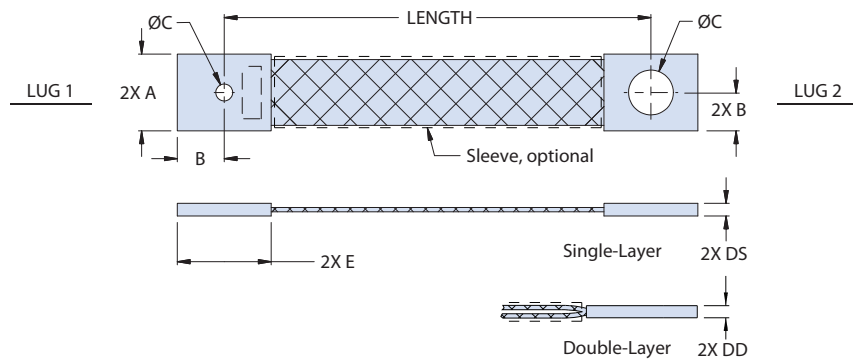
DOUBLE-LAYER ARMORLITE GROUND STRAP			
Size Code	Nom. Resistance mΩm/m	Max. Lug Code	Braid Weight (g/m)
12	27.0	B	23.0
16	18.0	D	33.0
20	17.5	E	36.0
24	14.0	F	43.0
32	7.5	G	86.0
40	6.5	J	105.0
48	5.0	L	129.0
64	3.5	M	170.0

NOTES

- Lug hole sizes may differ from each other depending on the part number development. Smaller lug hole diameter specified in "Lug 1" location in the part number. (Not applicable for RA right-angle lug configurations)
- Lug holes IAW AS7928
- Length tolerance: ± .250 inches (6.35 mm) up to 12 inches, or ± 2% for lengths > than 12".
- Consult Glenair for Ground Straps with larger cross-sectional area and braid gauge
- Ground Straps identified with Glenair name, P/N, and date code, space permitting

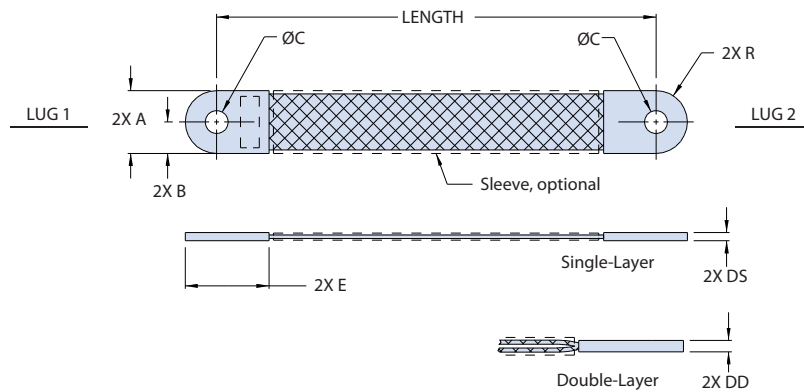
107-105 100% ArmorLite Microfilament Braid Square Lugs / Radiused Lugs

SQ - SQUARE LUG DIMENSIONS



Size Code	A		B		DS (Single-Layer)		DD (Double-Layer)		E	
	In.	mm	In.	mm	In.	mm	In.	mm	In.	mm
12	.240	6.10	.120	3.05	.052	1.32	.060	1.52	.240	6.10
16	.330	8.38	.165	4.19	.054	1.37	.062	1.57	.330	8.38
20	.410	10.41	.205	5.21	.072	1.83	.080	2.03	.410	10.41
24	.530	13.46	.265	6.73	.072	1.83	.080	2.03	.530	13.46
32	.740	18.80	.370	9.40	.088	2.24	.100	2.54	.740	18.80
40	.830	21.08	.415	10.54	.098	2.49	.110	2.79	.830	21.08
48	1.000	25.40	.500	12.70	.100	2.54	.115	2.92	1.000	25.40
64	1.180	29.97	.590	14.99	.100	2.54	.115	2.92	1.180	29.97

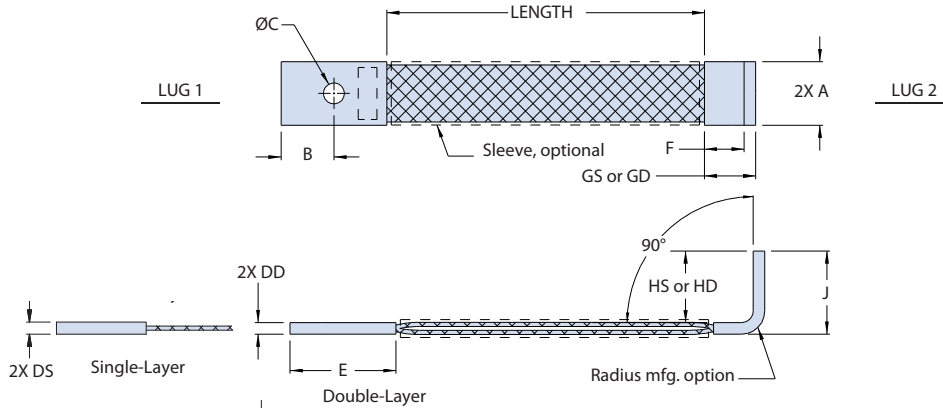
RD - RADIUSED LUG DIMENSIONS



Size Code	A		B		DS (Single-Layer)		DD (Double-Layer)		E		R	
	In.	mm	In.	mm	In.	mm	In.	mm	In.	mm	In.	mm
12	.240	6.10	.120	3.05	.052	1.32	.060	1.52	.630	16.00	.120	3.05
16	.330	8.38	.165	4.19	.054	1.37	.062	1.57	.630	16.00	.165	4.19
20	.410	10.41	.205	5.21	.072	1.83	.080	2.03	.750	19.05	.205	5.21
24	.530	13.46	.265	6.73	.072	1.83	.080	2.03	.750	19.05	.265	6.73
32	.740	18.80	.370	9.40	.088	2.24	.100	2.54	1.000	25.40	.370	9.40
40	.830	21.08	.415	10.54	.098	2.49	.110	2.79	1.100	27.94	.415	10.54
48	1.000	25.40	.500	12.70	.100	2.54	.115	2.92	1.250	31.75	.500	12.70
64	1.180	29.97	.590	14.99	.100	2.54	.115	2.92	1.400	35.56	.590	14.99

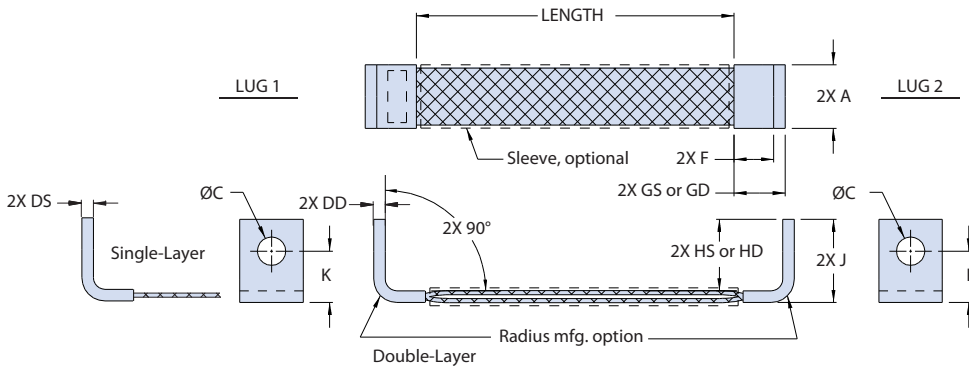
107-105 100% ArmorLite Microfilament Braid Single / Double Right-Angle Lugs

RA - RIGHT-ANGLE LUG DIMENSIONS



Size Code	A		B		DS		DD		E		F Ref.		GS Ref. (Single-Layer)		GD Ref. (Double-Layer)		HS Ref. (Single-Layer)		HD Ref. (Double-Layer)		J		K Ref.	
	In.	mm	In.	mm	In.	mm	In.	mm	In.	mm	In.	mm	In.	mm	In.	mm	In.	mm	In.	mm	In.	mm	In.	mm
12	.240	6.10	.313	7.95	.052	1.32	.060	1.52	.630	16.00	.375	9.53	.427	10.85	.435	11.05	.600	15.24	.590	14.99	.650	16.51	.500	12.70
16	.330	8.38	.313	7.95	.054	1.37	.062	1.57	.630	16.00	.375	9.53	.429	10.90	.437	11.10	.650	16.51	.640	16.26	.700	17.78	.500	12.70
20	.410	10.41	.375	9.53	.072	1.83	.080	2.03	.750	19.05	.375	9.53	.447	11.35	.455	11.56	.680	17.27	.670	17.02	.750	19.05	.500	12.70
24	.530	13.46	.375	9.53	.072	1.83	.080	2.03	.750	19.05	.375	9.53	.447	11.35	.455	11.56	.830	21.08	.820	20.83	.900	22.86	.625	15.88
32	.740	18.80	.425	10.80	.088	2.24	.100	2.54	.850	21.59	.375	9.53	.463	11.76	.475	12.07	.910	23.11	.900	22.86	1.000	25.40	.625	15.88
40	.830	21.08	.550	13.97	.098	2.49	.110	2.79	1.100	27.94	.500	12.70	.598	15.19	.610	15.49	1.050	26.67	1.040	26.42	1.150	29.21	.750	19.05
48	1.000	25.40	.625	15.88	.100	2.54	.115	2.92	1.250	31.75	.500	12.70	.600	15.24	.615	15.62	1.150	29.21	1.140	28.96	1.250	31.75	.750	19.05
64	1.180	29.97	.700	17.78	.100	2.54	.115	2.92	1.400	35.56	.500	12.70	.600	15.24	.615	15.62	1.250	31.75	1.240	31.50	1.350	34.29	.750	19.05

DRU - DOUBLE RIGHT-ANGLE (UP-UP) LUGS DIMENSIONS



Size Code	A		DS		DD		F Ref.		GS Ref. (Single-Layer)		GD Ref. (Double-Layer)		HS Ref. (Single-Layer)		HD Ref. (Double-Layer)		J		K Ref.	
	In.	mm	In.	mm	In.	mm	In.	mm	In.	mm	In.	mm	In.	mm	In.	mm	In.	mm	In.	mm
12	.240	6.10	.052	1.32	.060	1.52	.375	9.53	.427	10.85	.435	11.05	.600	15.24	.590	14.99	.650	16.51	.500	12.70
16	.330	8.38	.054	1.37	.062	1.57	.375	9.53	.429	10.90	.437	11.10	.650	16.51	.640	16.26	.700	17.78	.500	12.70
20	.410	10.41	.072	1.83	.080	2.03	.375	9.53	.447	11.35	.455	11.56	.680	17.27	.670	17.02	.750	19.05	.500	12.70
24	.530	13.46	.072	1.83	.080	2.03	.375	9.53	.447	11.35	.455	11.56	.830	21.08	.820	20.83	.900	22.86	.625	15.88
32	.740	18.80	.088	2.24	.100	2.54	.375	9.53	.463	11.76	.475	12.07	.910	23.11	.900	22.86	1.000	25.40	.625	15.88
40	.830	21.08	.098	2.49	.110	2.79	.500	12.70	.598	15.19	.610	15.49	1.050	26.67	1.040	26.42	1.150	29.21	.750	19.05
48	1.000	25.40	.100	2.54	.115	2.92	.500	12.70	.600	15.24	.615	15.62	1.150	29.21	1.140	28.96	1.250	31.75	.750	19.05
64	1.180	29.97	.100	2.54	.115	2.92	.500	12.70	.600	15.24	.615	15.62	1.250	31.75	1.240	31.50	1.350	34.29	.750	19.05

LIGHTWEIGHT ArmorLite™ Ground Straps



107-106 75% ArmorLite / 25% Nickel/Copper Braid Configurable Crimp Lugs



HOW TO ORDER								
Sample Part Number	107-106	S	-RD	-64	A	E	-6	S
Product Series	75% / 25% ArmorLite ground strap							
Braid Layers	S = Single D = Double							
Lug Configuration	-SQ = Square Lugs -RD = Radiused Lugs -RA = Right-Angle Lugs -DRU = Double Right-Angle Lugs, Up-Up							
Size Code	12 – 64, See Dimensions Tables							
Lug 1 Hole	A – M, See Table. If two different sized lug holes are required, specify smaller lug hole in this location.							
Lug 2 Hole	A – M, See Table							
Length	In inches							
Insulation Sleeving	S = Black sleeving over braid C = Clear sleeving over braid Omit = No sleeving							



GROUND STRAP FEATURES

- For grounding airframe sections, dissipating static build-up in composite structures, dissipating lightning strike energy, and grounding individual moving parts
- Saves weight compared to standard NiCu braid
- Approved for use by major airframe and equipment manufacturers
- Lightweight, durable, configurable crimp lugs: square, radiused, straight, single- and double-right-angle versions
- Available black or clear sleeving over braid

MATERIAL/FINISH

- 75% ArmorLite, stainless steel 316L / nickel plate
25% Copper / nickel plate
- Lugs - Copper / nickel plate per AMS-C-26074
- Sleeving - per M23053 or equivalent

LUG HOLE SIZE CODES		
Hole Size Code	Ø C	Stud Size (Ref.)
A	.114/.122 (2.90/3.10)	#4
B	.142/.152 (3.61/3.86)	#6
C	.168/.178 (4.27/4.52)	#8
D	.193/.203 (4.90/5.16)	#10
E	.260/.275 (6.60/6.99)	1/4
F	.323/.338 (8.20/8.59)	5/16
G	.385/.400 (9.78/10.16)	3/8
H	.448/.463 (11.38/11.76)	7/16
J	.510/.525 (12.95/13.34)	1/2
K	.573/.588 (14.55/14.94)	9/16
L	.651/.666 (16.54/16.92)	5/8
M	.770/.785 (19.56/19.94)	3/4

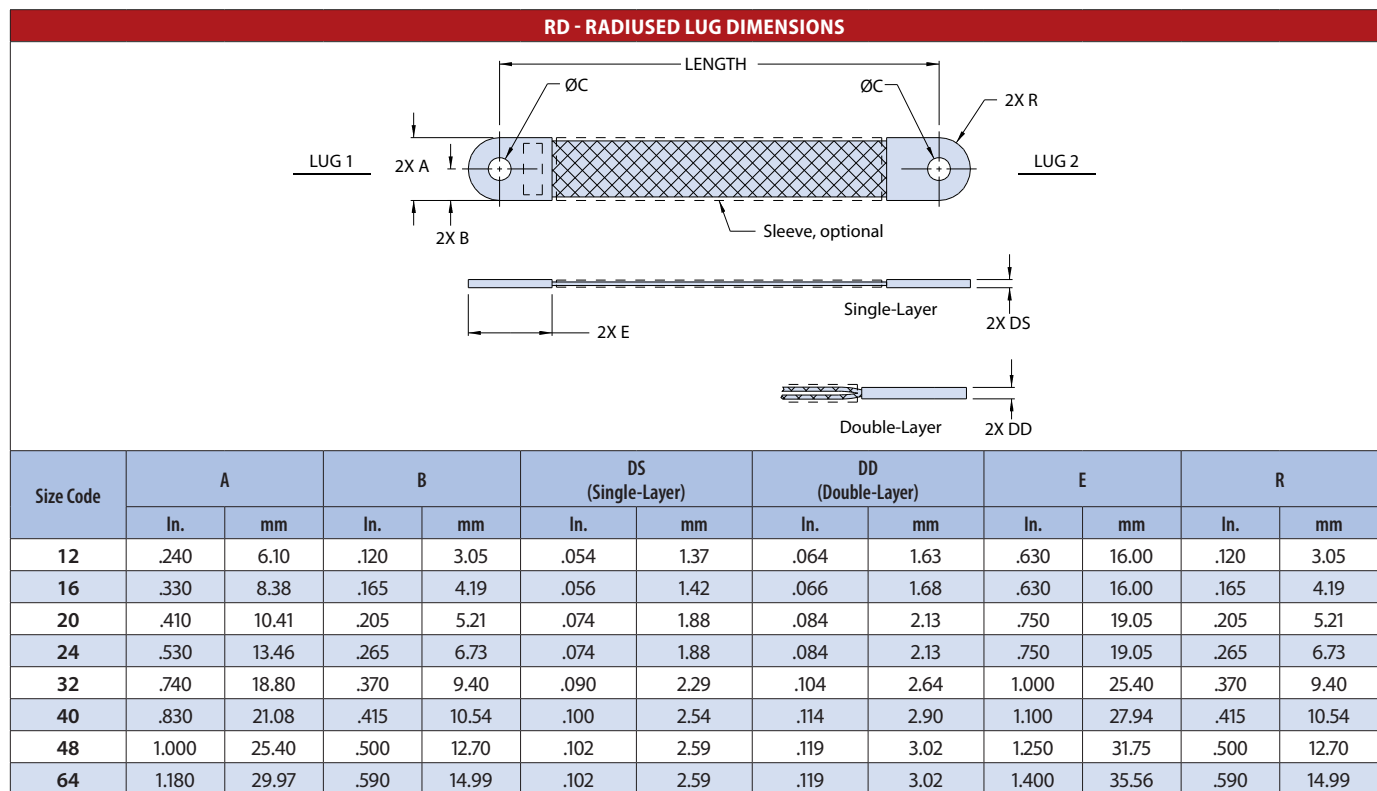
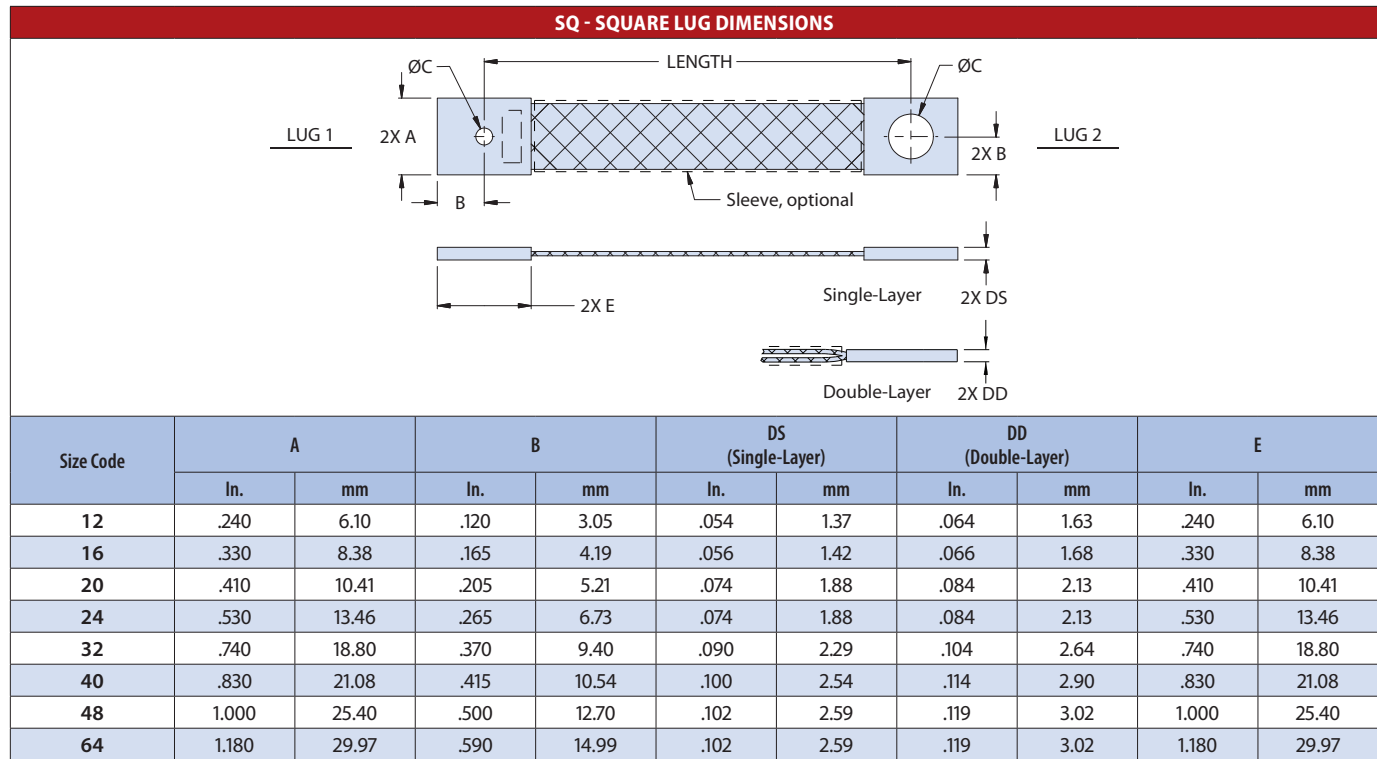
SINGLE-LAYER ARMORLITE GROUND STRAP			
Size Code	Nom. Resistance mOhm/m	Max. Lug Code	Braid Weight (g/m)
12	22.5	B	13.0
16	15.5	D	20.0
20	15.0	E	20.5
24	11.0	F	27.0
32	8.0	G	47.5
40	7.0	J	57.0
48	5.0	L	71.0
64	4.0	M	88.0

DOUBLE-LAYER ARMORLITE GROUND STRAP			
Size Code	Nom. Resistance mOhm/m	Max. Lug Code	Braid Weight (g/m)
12	11.5	B	26.0
16	8.0	D	40.0
20	7.5	E	41.0
24	5.5	F	54.0
32	4.0	G	95.0
40	3.5	J	114.0
48	2.5	L	142.0
64	2.0	M	176.0

NOTES

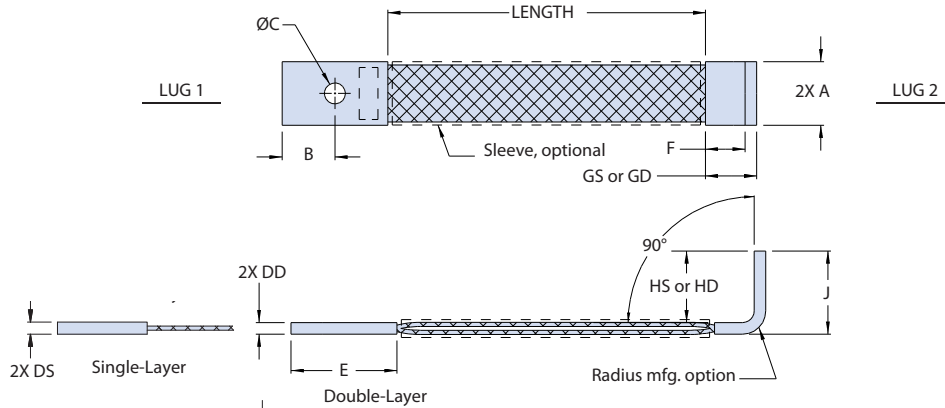
- Lug hole sizes may differ from each other depending on the part number development. Smaller lug hole diameter specified in "Lug 1" location in the part number. (Not applicable for RA right-angle lug configurations)
- Lug holes IAW AS7928
- Length tolerance: ± .250 inches (6.35 mm) up to 12 inches, or ± 2% for lengths > than 12".
- Consult Glenair for Ground Straps with larger cross-sectional area and braid gauge
- Ground Straps identified with Glenair name, P/N, and date code, space permitting

107-106 75% ArmorLite / 25% Nickel/Copper Braid Configurable Crimp Lugs



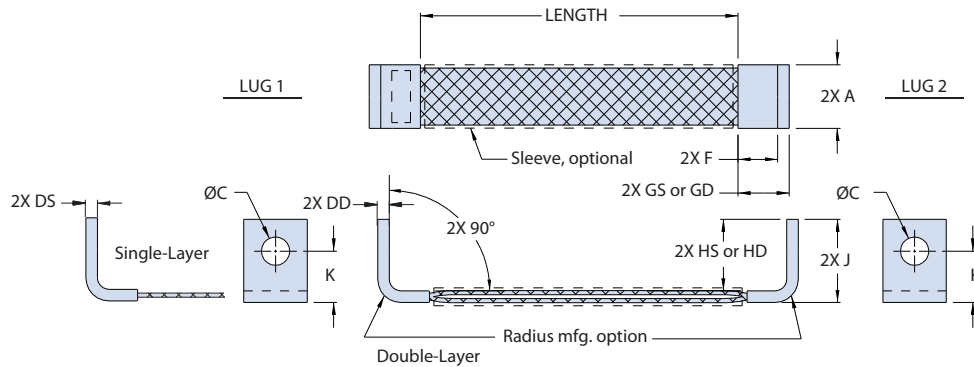
107-106 75% ArmorLite / 25% Nickel/Copper Braid Configurable Crimp Lugs

RA - RIGHT-ANGLE LUG DIMENSIONS



Size Code	A		B		DS		DD		E		F Ref.		GS Ref. (Single-Layer)		GD Ref. (Double-Layer)		HS Ref. (Single-Layer)		HD Ref. (Double-Layer)		J		K Ref.	
	In.	mm	In.	mm	In.	mm	In.	mm	In.	mm	In.	mm	In.	mm	In.	mm	In.	mm	In.	mm	In.	mm	In.	mm
12	.240	6.10	.313	7.95	.054	1.37	.064	1.63	.630	16.00	.375	9.53	.429	10.90	.439	11.15	.600	15.24	.590	14.99	.650	16.51	.500	12.70
16	.330	8.38	.313	7.95	.056	1.42	.066	1.68	.630	16.00	.375	9.53	.431	10.95	.441	11.20	.640	16.26	.630	16.00	.700	17.78	.500	12.70
20	.410	10.41	.375	9.53	.074	1.88	.084	2.13	.750	19.05	.375	9.53	.449	11.40	.459	11.66	.680	17.27	.670	17.02	.750	19.05	.500	12.70
24	.530	13.46	.375	9.53	.074	1.88	.084	2.13	.750	19.05	.375	9.53	.449	11.40	.459	11.66	.830	21.08	.820	20.83	.900	22.86	.625	15.88
32	.740	18.80	.425	10.80	.090	2.29	.104	2.64	.850	21.59	.375	9.53	.465	11.81	.479	12.17	.910	23.11	.900	22.86	1.000	25.40	.625	15.88
40	.830	21.08	.550	13.97	.100	2.54	.114	2.90	1.100	27.94	.500	12.70	.600	15.24	.614	15.60	1.050	26.67	1.040	26.42	1.150	29.21	.750	19.05
48	1.000	25.40	.625	15.88	.102	2.59	.119	3.02	1.250	31.75	.500	12.70	.602	15.29	.619	15.72	1.150	29.21	1.130	28.70	1.250	31.75	.750	19.05
64	1.180	29.97	.700	17.78	.102	2.59	.119	3.02	1.400	35.56	.500	12.70	.602	15.29	.619	15.72	1.250	31.75	1.230	31.24	1.350	34.29	.750	19.05

DRU - DOUBLE RIGHT-ANGLE (UP-UP) LUGS DIMENSIONS



Size Code	A		DS		DD		F Ref.		GS Ref. (Single-Layer)		GD Ref. (Double-Layer)		HS Ref. (Single-Layer)		HD Ref. (Double-Layer)		J		K Ref.	
	In.	mm	In.	mm	In.	mm	In.	mm	In.	mm	In.	mm	In.	mm	In.	mm	In.	mm	In.	mm
12	.240	6.10	.054	1.37	.064	1.63	.375	9.53	.429	10.90	.439	11.15	.600	15.24	.590	14.99	.650	16.51	.500	12.70
16	.330	8.38	.056	1.42	.066	1.68	.375	9.53	.431	10.95	.441	11.20	.640	16.26	.630	16.00	.700	17.78	.500	12.70
20	.410	10.41	.074	1.88	.084	2.13	.375	9.53	.449	11.40	.459	11.66	.680	17.27	.670	17.02	.750	19.05	.500	12.70
24	.530	13.46	.074	1.88	.084	2.13	.375	9.53	.449	11.40	.459	11.66	.830	21.08	.820	20.83	.900	22.86	.625	15.88
32	.740	18.80	.090	2.29	.104	2.64	.375	9.53	.465	11.81	.479	12.17	.910	23.11	.900	22.86	1.000	25.40	.625	15.88
40	.830	21.08	.100	2.54	.114	2.90	.500	12.70	.600	15.24	.614	15.60	1.050	26.67	1.040	26.42	1.150	29.21	.750	19.05
48	1.000	25.40	.102	2.59	.119	3.02	.500	12.70	.602	15.29	.619	15.72	1.150	29.21	1.130	28.70	1.250	31.75	.750	19.05
64	1.180	29.97	.102	2.59	.119	3.02	.500	12.70	.602	15.29	.619	15.72	1.250	31.75	1.230	31.24	1.350	34.29	.750	19.05

107-107 50% ArmorLite / 50% Nickel/Copper Braid Configurable Crimp Lugs



HOW TO ORDER							
Sample Part Number	107-107	S	-RD	-64	A	E	-6 S
Product Series	50% / 50% ArmorLite ground strap						
Braid Layers	S = Single D = Double						
Lug Configuration	-SQ = Square Lugs -RD = Radiused Lugs -RA = Right-Angle Lugs -DRU = Double Right-Angle Lugs, Up-Up						
Size Code	12 – 64, See Dimensions Tables						
Lug 1 Hole	A – M, See Table. If two different sized lug holes are required, specify smaller lug hole in this location.						
Lug 2 Hole	A – M, See Table						
Length	In inches						
Insulation Sleeving	S = Black sleeving over braid C = Clear sleeving over braid Omit = No sleeving						



GROUND STRAP FEATURES

- For grounding airframe sections, dissipating static build-up in composite structures, dissipating lightning strike energy, and grounding individual moving parts
- Saves weight compared to standard NiCu braid
- Approved for use by major airframe and equipment manufacturers
- Lightweight, durable, configurable crimp lugs: square, radiused, straight, single- and double-right-angle versions
- Available black or clear sleeving over braid

MATERIAL/FINISH

- 50% ArmorLite, stainless steel 316L / nickel plate
50% Copper / nickel plate
- Lugs - Copper / nickel plate per AMS-C-26074
- Sleeving - per M23053 or equivalent

LUG HOLE SIZE CODES		
Hole Size Code	Ø C	Stud Size (Ref.)
A	.114/.122 (2.90/3.10)	#4
B	.142/.152 (3.61/3.86)	#6
C	.168/.178 (4.27/4.52)	#8
D	.193/.203 (4.90/5.16)	#10
E	.260/.275 (6.60/6.99)	1/4
F	.323/.338 (8.20/8.59)	5/16
G	.385/.400 (9.78/10.16)	3/8
H	.448/.463 (11.38/11.76)	7/16
J	.510/.525 (12.95/13.34)	1/2
K	.573/.588 (14.55/14.94)	9/16
L	.651/.666 (16.54/16.92)	5/8
M	.770/.785 (19.56/19.94)	3/4

SINGLE-LAYER ARMORLITE GROUND STRAP			
Size Code	Nom. Resistance mΩm/m	Max. Lug Code	Braid Weight (g/m)
12	14.0	B	18.5
16	10.0	D	27.0
20	9.0	E	28.0
24	7.0	F	36.0
32	5.5	G	56.0
40	5.0	J	60.5
48	4.5	L	100.5
64	2.5	M	109.0

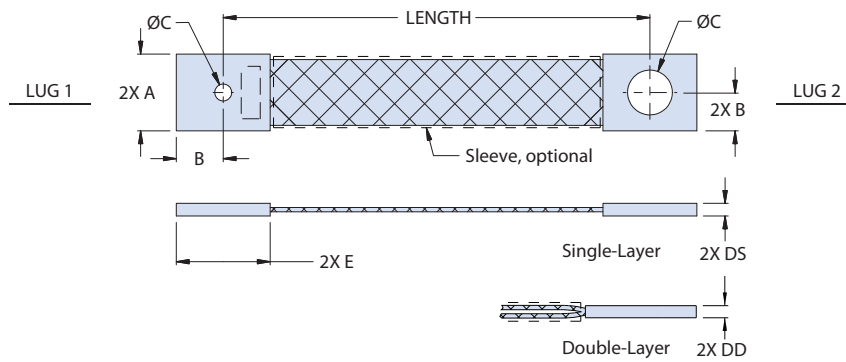
DOUBLE-LAYER ARMORLITE GROUND STRAP			
Size Code	Nom. Resistance mΩm/m	Max. Lug Code	Braid Weight (g/m)
12	7.0	B	37.0
16	5.0	D	54.0
20	4.5	E	56.0
24	3.5	F	72.0
32	3.0	G	112.0
40	2.5	J	121.0
48	2.3	L	201.0
64	1.5	M	218.0

NOTES

- Lug hole sizes may differ from each other depending on the part number development. Smaller lug hole diameter specified in "Lug 1" location in the part number. (Not applicable for RA right-angle lug configurations)
- Lug holes IAW AS7928
- Length tolerance: ± .250 inches (6.35 mm) up to 12 inches, or ± 2% for lengths > than 12".
- Consult Glenair for Ground Straps with larger cross-sectional area and braid gauge
- Ground Straps identified with Glenair name, P/N, and date code, space permitting

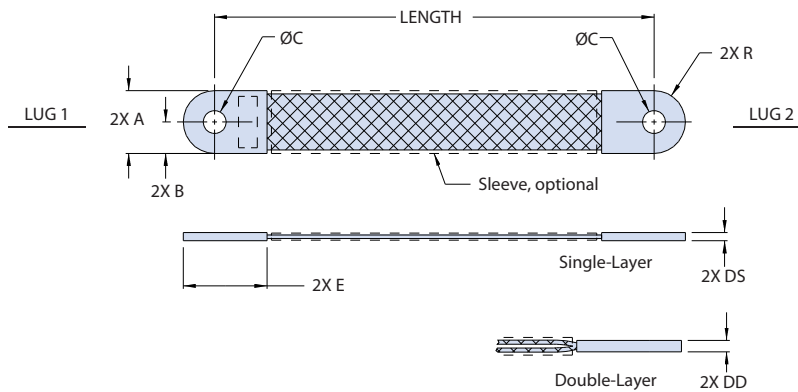
107-107 50% ArmorLite / 50% Nickel/Copper Braid Configurable Crimp Lugs

SQ - SQUARE LUG DIMENSIONS



Size Code	A		B		DS (Single-Layer)		DD (Double-Layer)		E	
	In.	mm	In.	mm	In.	mm	In.	mm	In.	mm
12	.240	6.10	.120	3.05	.054	1.37	.064	1.63	.240	6.10
16	.330	8.38	.165	4.19	.056	1.42	.066	1.68	.330	8.38
20	.410	10.41	.205	5.21	.074	1.88	.084	2.13	.410	10.41
24	.530	13.46	.265	6.73	.074	1.88	.084	2.13	.530	13.46
32	.740	18.80	.370	9.40	.090	2.29	.104	2.64	.740	18.80
40	.830	21.08	.415	10.54	.100	2.54	.114	2.90	.830	21.08
48	1.000	25.40	.500	12.70	.102	2.59	.119	3.02	1.000	25.40
64	1.180	29.97	.590	14.99	.102	2.59	.119	3.02	1.180	29.97

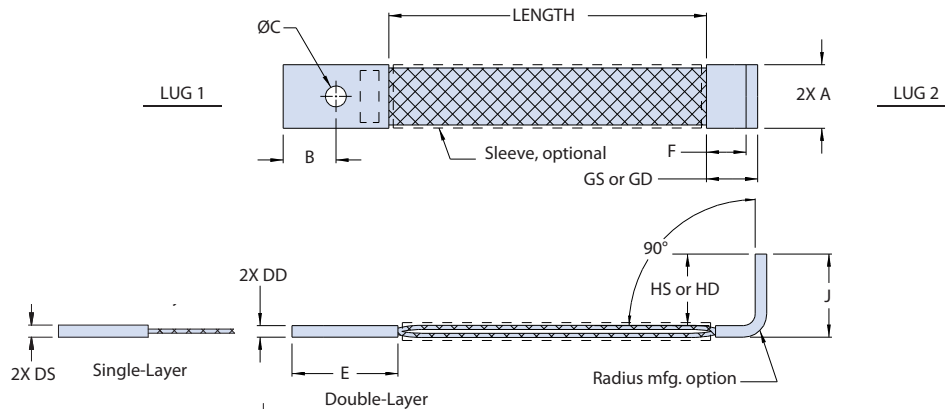
RD - RADIUSED LUG DIMENSIONS



Size Code	A		B		DS (Single-Layer)		DD (Double-Layer)		E		R	
	In.	mm	In.	mm	In.	mm	In.	mm	In.	mm	In.	mm
12	.240	6.10	.120	3.05	.054	1.37	.064	1.63	.630	16.00	.120	3.05
16	.330	8.38	.165	4.19	.056	1.42	.066	1.68	.630	16.00	.165	4.19
20	.410	10.41	.205	5.21	.074	1.88	.084	2.13	.750	19.05	.205	5.21
24	.530	13.46	.265	6.73	.074	1.88	.084	2.13	.750	19.05	.265	6.73
32	.740	18.80	.370	9.40	.090	2.29	.104	2.64	1.000	25.40	.370	9.40
40	.830	21.08	.415	10.54	.100	2.54	.114	2.90	1.100	27.94	.415	10.54
48	1.000	25.40	.500	12.70	.102	2.59	.119	3.02	1.250	31.75	.500	12.70
64	1.180	29.97	.590	14.99	.102	2.59	.119	3.02	1.400	35.56	.590	14.99

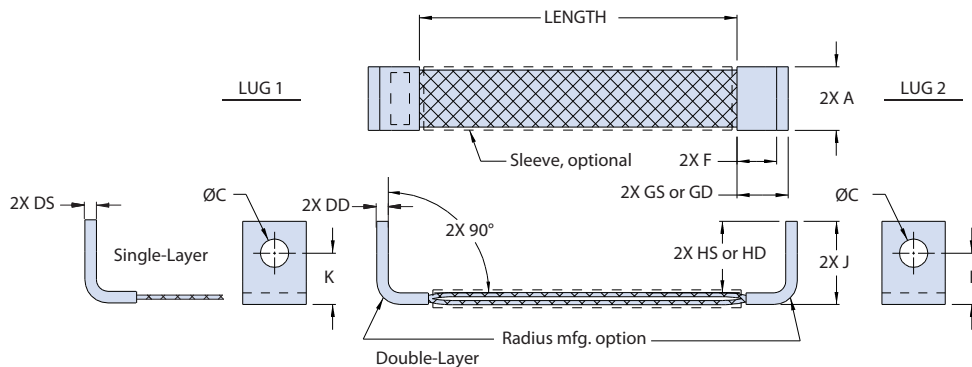
107-107 50% ArmorLite / 50% Nickel/Copper Braid Configurable Crimp Lugs

RA - RIGHT-ANGLE LUG DIMENSIONS



Size Code	A		B		DS		DD		E		F Ref.		GS Ref. (Single-Layer)		GD Ref. (Double-Layer)		HS Ref. (Single-Layer)		HD Ref. (Double-Layer)		J		K Ref.	
	In.	mm	In.	mm	In.	mm	In.	mm	In.	mm	In.	mm	In.	mm	In.	mm	In.	mm	In.	mm	In.	mm	In.	mm
12	.240	6.10	.313	7.95	.054	1.37	.064	1.63	.630	16.00	.375	9.53	.429	10.90	.439	11.15	.600	15.24	.590	14.99	.650	16.51	.500	12.70
16	.330	8.38	.313	7.95	.056	1.42	.066	1.68	.630	16.00	.375	9.53	.431	10.95	.441	11.20	.640	16.26	.630	16.00	.700	17.78	.500	12.70
20	.410	10.41	.375	9.53	.074	1.88	.084	2.13	.750	19.05	.375	9.53	.449	11.40	.459	11.66	.680	17.27	.670	17.02	.750	19.05	.500	12.70
24	.530	13.46	.375	9.53	.074	1.88	.084	2.13	.750	19.05	.375	9.53	.449	11.40	.459	11.66	.830	21.08	.820	20.83	.900	22.86	.625	15.88
32	.740	18.80	.425	10.80	.090	2.29	.104	2.64	.850	21.59	.375	9.53	.465	11.81	.479	12.17	.910	23.11	.900	22.86	1.000	25.40	.625	15.88
40	.830	21.08	.550	13.97	.100	2.54	.114	2.90	1.100	27.94	.500	12.70	.600	15.24	.614	15.60	1.050	26.67	1.040	26.42	1.150	29.21	.750	19.05
48	1.000	25.40	.625	15.88	.102	2.59	.119	3.02	1.250	31.75	.500	12.70	.602	15.29	.619	15.72	1.150	29.21	1.130	28.70	1.250	31.75	.750	19.05
64	1.180	29.97	.700	17.78	.102	2.59	.119	3.02	1.400	35.56	.500	12.70	.602	15.29	.619	15.72	1.250	31.75	1.230	31.24	1.350	34.29	.750	19.05

DRU - DOUBLE RIGHT-ANGLE (UP-UP) LUGS DIMENSIONS



Size Code	A		DS		DD		F Ref.		GS Ref. (Single-Layer)		GD Ref. (Double-Layer)		HS Ref. (Single-Layer)		HD Ref. (Double-Layer)		J		K Ref.	
	In.	mm	In.	mm	In.	mm	In.	mm	In.	mm	In.	mm	In.	mm	In.	mm	In.	mm	In.	mm
12	.240	6.10	.054	1.37	.064	1.63	.375	9.53	.429	10.90	.439	11.15	.600	15.24	.590	14.99	.650	16.51	.500	12.70
16	.330	8.38	.056	1.42	.066	1.68	.375	9.53	.431	10.95	.441	11.20	.640	16.26	.630	16.00	.700	17.78	.500	12.70
20	.410	10.41	.074	1.88	.084	2.13	.375	9.53	.449	11.40	.459	11.66	.680	17.27	.670	17.02	.750	19.05	.500	12.70
24	.530	13.46	.074	1.88	.084	2.13	.375	9.53	.449	11.40	.459	11.66	.830	21.08	.820	20.83	.900	22.86	.625	15.88
32	.740	18.80	.090	2.29	.104	2.64	.375	9.53	.465	11.81	.479	12.17	.910	23.11	.900	22.86	1.000	25.40	.625	15.88
40	.830	21.08	.100	2.54	.114	2.90	.500	12.70	.600	15.24	.614	15.60	1.050	26.67	1.040	26.42	1.150	29.21	.750	19.05
48	1.000	25.40	.102	2.59	.119	3.02	.500	12.70	.602	15.29	.619	15.72	1.150	29.21	1.130	28.70	1.250	31.75	.750	19.05
64	1.180	29.97	.102	2.59	.119	3.02	.500	12.70	.602	15.29	.619	15.72	1.250	31.75	1.230	31.24	1.350	34.29	.750	19.05

107-108 ArmorLite CF Microfilament Braid Configurable Crimp Lugs



HOW TO ORDER								
Sample Part Number	107-108	S	-RD	-64	A	E	-6	S
Product Series	ArmorLite CF ground strap							
Braid Layers	S = Single D = Double							
Lug Configuration	-SQ = Square Lugs -RD = Radiused Lugs -RA = Right-Angle Lugs -DRU = Double Right-Angle Lugs, Up-Up							
Size Code	12 – 64, See Dimensions Tables							
Lug 1 Hole	A – M, See Table. If two different sized lug holes are required, specify smaller lug hole in this location.							
Lug 2 Hole	A – M, See Table							
Length	In inches							
Insulation Slewing	S = Black sleeving over braid C = Clear sleeving over braid Omit = No sleeving							



GROUND STRAP FEATURES

- Broad temperature tolerance, -80°C to +300°C
- Corrosion / harsh environment resistant
- For grounding airframe sections, dissipating static build-up in composite structures, dissipating lightning strike energy, and grounding individual moving parts
- 70% reduced weight vs. standard NiCu braid
- Lightweight, durable, configurable crimp lugs: square, radiused, straight, single- and double-right-angle versions
- Available black or clear sleeving over braid

MATERIAL/FINISH

- ArmorLite CF, copper-stainless steel 316L
- Lugs - Stainless steel / nickel plate per AMS-C-26074
- Slewing - per M23053 or equivalent

LUG HOLE SIZE CODES		
Hole Size Code	Ø C	Stud Size (Ref.)
A	.114/.122 (2.90/3.10)	#4
B	.142/.152 (3.61/3.86)	#6
C	.168/.178 (4.27/4.52)	#8
D	.193/.203 (4.90/5.16)	#10
E	.260/.275 (6.60/6.99)	1/4
F	.323/.338 (8.20/8.59)	5/16
G	.385/.400 (9.78/10.16)	3/8
H	.448/.463 (11.38/11.76)	7/16
J	.510/.525 (12.95/13.34)	1/2
K	.573/.588 (14.55/14.94)	9/16
L	.651/.666 (16.54/16.92)	5/8
M	.770/.785 (19.56/19.94)	3/4

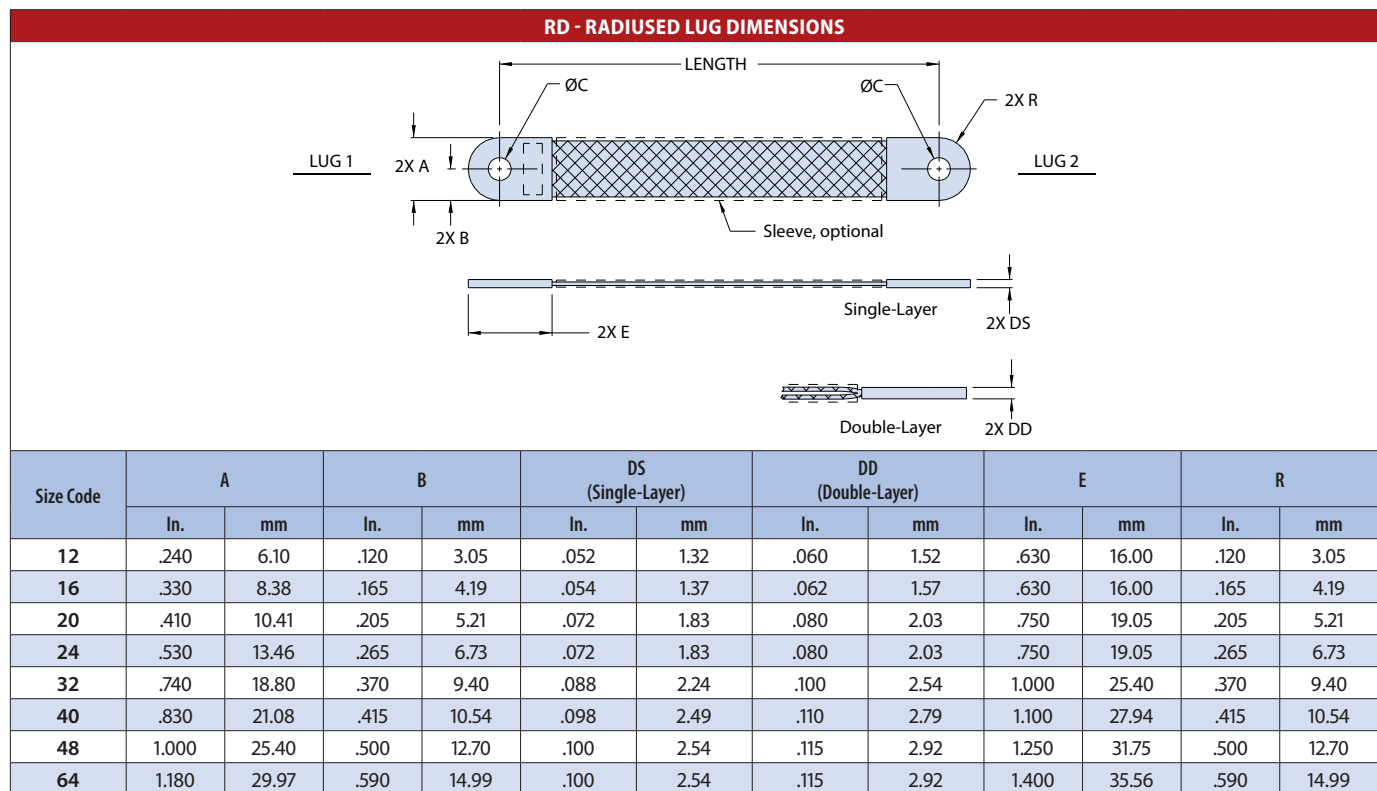
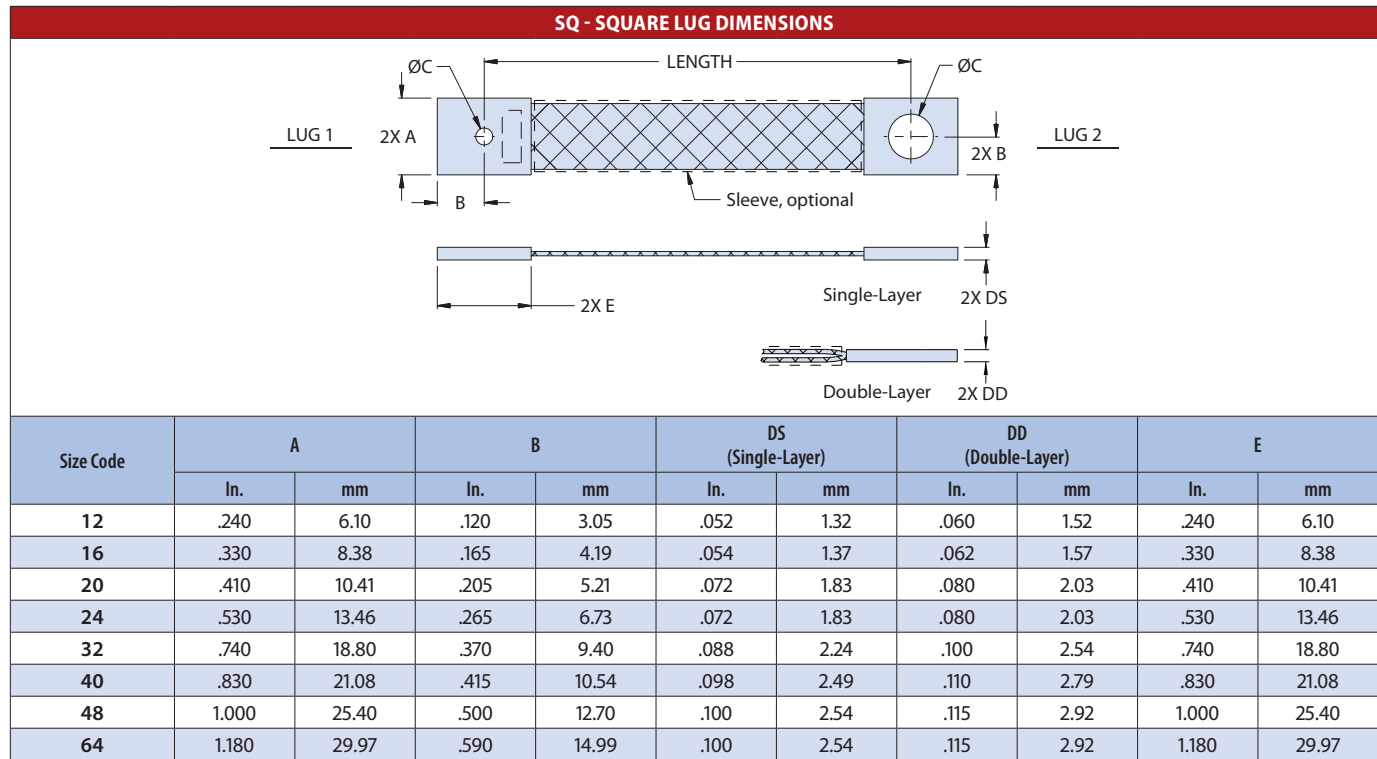
SINGLE-LAYER ARMORLITE CF GROUND STRAP			
Size Code	Nom. Resistance mOhm/m	Max. Lug Code	Braid Weight (g/m)
12	28.0	B	14.0
16	19.5	D	20.0
20	16.0	E	21.0
24	13.0	F	28.0
32	6.0	G	52.5
40	4.0	J	59.0
48	3.5	L	76.0
64	2.5	M	104.5

DOUBLE-LAYER ARMORLITE CF GROUND STRAP			
Size Code	Nom. Resistance mOhm/m	Max. Lug Code	Braid Weight (g/m)
12	14.0	B	28.0
16	10.0	D	40.0
20	8.0	E	42.0
24	6.5	F	56.0
32	3.0	G	105.0
40	2.0	J	118.0
48	1.8	L	152.0
64	1.5	M	209.0

NOTES

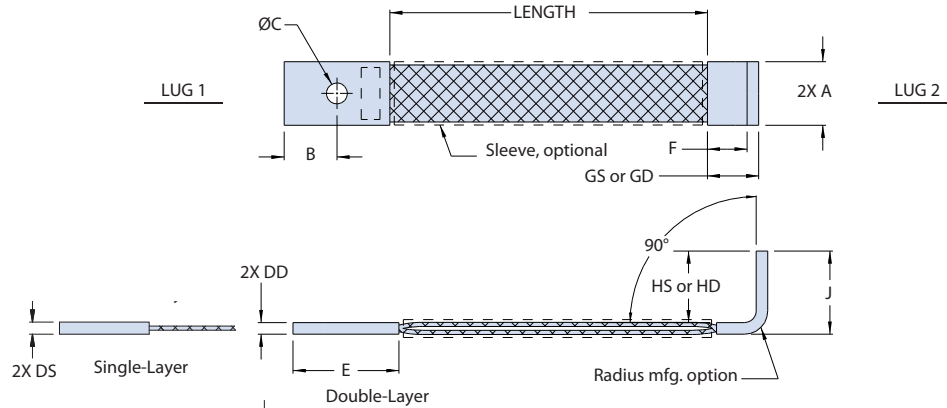
- Lug hole sizes may differ from each other depending on the part number development. Smaller lug hole diameter specified in "Lug 1" location in the part number. (Not applicable for RA right-angle lug configurations)
- Lug holes IAW AS7928
- Length tolerance: ± .250 inches (6.35 mm) up to 12 inches, or ± 2% for lengths > than 12".
- Consult Glenair for Ground Straps with larger cross-sectional area and braid gauge
- Ground Straps identified with Glenair name, P/N, and date code, space permitting

107-108 ArmorLite CF Microfilament Braid Square Lugs / Radiused Lugs



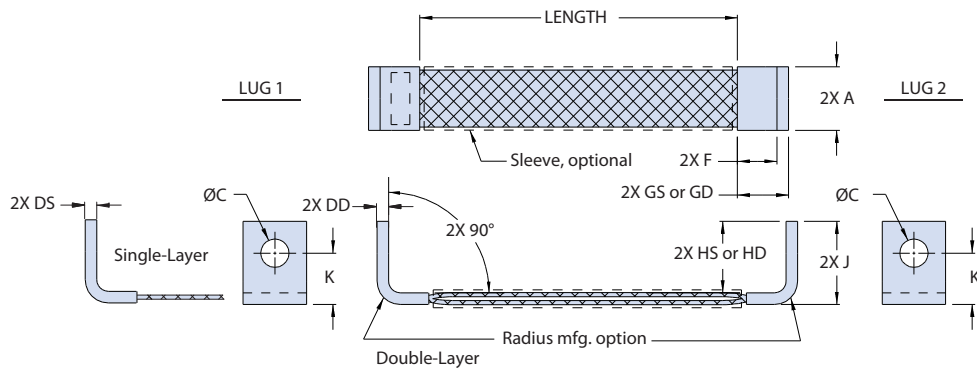
**107-108 ArmorLite CF Microfilament Braid
 Single / Double Right-Angle Lugs**

RA - RIGHT-ANGLE LUG DIMENSIONS



Size Code	A		B		DS		DD		E		F Ref.		GS Ref. (Single-Layer)		GD Ref. (Double-Layer)		HS Ref. (Single-Layer)		HD Ref. (Double-Layer)		J		K Ref.	
	In.	mm	In.	mm	In.	mm	In.	mm	In.	mm	In.	mm	In.	mm	In.	mm	In.	mm	In.	mm	In.	mm	In.	mm
12	.240	6.10	.313	7.95	.052	1.32	.060	1.52	.630	16.00	.375	9.53	.427	10.85	.435	11.05	.600	15.24	.590	14.99	.650	16.51	.500	12.70
16	.330	8.38	.313	7.95	.054	1.37	.062	1.57	.630	16.00	.375	9.53	.429	10.90	.437	11.10	.650	16.51	.640	16.26	.700	17.78	.500	12.70
20	.410	10.41	.375	9.53	.072	1.83	.080	2.03	.750	19.05	.375	9.53	.447	11.35	.455	11.56	.680	17.27	.670	17.02	.750	19.05	.500	12.70
24	.530	13.46	.375	9.53	.072	1.83	.080	2.03	.750	19.05	.375	9.53	.447	11.35	.455	11.56	.830	21.08	.820	20.83	.900	22.86	.625	15.88
32	.740	18.80	.425	10.80	.088	2.24	.100	2.54	.850	21.59	.375	9.53	.463	11.76	.475	12.07	.910	23.11	.900	22.86	1.000	25.40	.625	15.88
40	.830	21.08	.550	13.97	.098	2.49	.110	2.79	1.100	27.94	.500	12.70	.598	15.19	.610	15.49	1.050	26.67	1.040	26.42	1.150	29.21	.750	19.05
48	1.000	25.40	.625	15.88	.100	2.54	.115	2.92	1.250	31.75	.500	12.70	.600	15.24	.615	15.62	1.150	29.21	1.140	28.96	1.250	31.75	.750	19.05
64	1.180	29.97	.700	17.78	.100	2.54	.115	2.92	1.400	35.56	.500	12.70	.600	15.24	.615	15.62	1.250	31.75	1.240	31.50	1.350	34.29	.750	19.05

DRU - DOUBLE RIGHT-ANGLE (UP-UP) LUGS DIMENSIONS

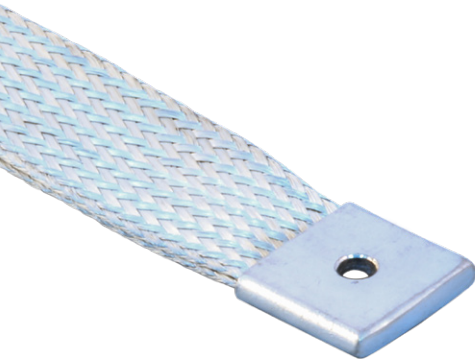


Size Code	A		DS		DD		F Ref.		GS Ref. (Single-Layer)		GD Ref. (Double-Layer)		HS Ref. (Single-Layer)		HD Ref. (Double-Layer)		J		K Ref.	
	In.	mm	In.	mm	In.	mm	In.	mm	In.	mm	In.	mm	In.	mm	In.	mm	In.	mm	In.	mm
12	.240	6.10	.052	1.32	.060	1.52	.375	9.53	.427	10.85	.435	11.05	.600	15.24	.590	14.99	.650	16.51	.500	12.70
16	.330	8.38	.054	1.37	.062	1.57	.375	9.53	.429	10.90	.437	11.10	.650	16.51	.640	16.26	.700	17.78	.500	12.70
20	.410	10.41	.072	1.83	.080	2.03	.375	9.53	.447	11.35	.455	11.56	.680	17.27	.670	17.02	.750	19.05	.500	12.70
24	.530	13.46	.072	1.83	.080	2.03	.375	9.53	.447	11.35	.455	11.56	.830	21.08	.820	20.83	.900	22.86	.625	15.88
32	.740	18.80	.088	2.24	.100	2.54	.375	9.53	.463	11.76	.475	12.07	.910	23.11	.900	22.86	1.000	25.40	.625	15.88
40	.830	21.08	.098	2.49	.110	2.79	.500	12.70	.598	15.19	.610	15.49	1.050	26.67	1.040	26.42	1.150	29.21	.750	19.05
48	1.000	25.40	.100	2.54	.115	2.92	.500	12.70	.600	15.24	.615	15.62	1.150	29.21	1.140	28.96	1.250	31.75	.750	19.05
64	1.180	29.97	.100	2.54	.115	2.92	.500	12.70	.600	15.24	.615	15.62	1.250	31.75	1.240	31.50	1.350	34.29	.750	19.05

STANDARD-DUTY A-A-59569 Ground Straps



107-101 Tin-Plated Copper Braid Configurable Crimp Lugs



HOW TO ORDER							
Sample Part Number	107-101	S	-RD	-2000	A	E	-6 S
Product Series	Tin-plated copper ground strap						
Braid Layers	S = Single D = Double						
Lug Configuration	-SQ = Square Lugs -RD = Radiused Lugs -RA = Right-Angle Lugs -DRU = Double Right-Angle Lugs, Up-Up						
Size Code	125 - 2000, See Dimensions Tables						
Lug 1 Hole	A - M, See Table. If two different sized lug holes are required, specify smaller lug hole in this location.						
Lug 2 Hole	A - M, See Table						
Length	In inches						
Insulation Sleeving	S = Black sleeving over braid C = Clear sleeving over braid Omit = No sleeving						

GROUND STRAP FEATURES

- Soft-drawn tin-plated copper braid
- EMI frequency effective from 10KHz to 1 GHz
- 150°C temperature tolerant
- 125 lbs. pull strength (.500 dia. braid)
- 48 hours salt spray corrosion resistant
- Good abrasion resistance
- Lightweight, durable, configurable crimp lugs: square, radiused, straight, single- and double-right-angle versions
- Available black or clear sleeving over braid

MATERIAL/FINISH

- 36 AWG Copper / tin plate IAW A-A-59569
- Lugs - Copper / tin plate per ASTM B545
- Sleeving - per M23053 or equivalent

LUG HOLE SIZE CODES		
Hole Size Code	Ø C	Stud Size (Ref.)
A	.114/.122 (2.90/3.10)	#4
B	.142/.152 (3.61/3.86)	#6
C	.168/.178 (4.27/4.52)	#8
D	.193/.203 (4.90/5.16)	#10
E	.260/.275 (6.60/6.99)	1/4
F	.323/.338 (8.20/8.59)	5/16
G	.385/.400 (9.78/10.16)	3/8
H	.448/.463 (11.38/11.76)	7/16
J	.510/.525 (12.95/13.34)	1/2
K	.573/.588 (14.55/14.94)	9/16
L	.651/.666 (16.54/16.92)	5/8
M	.770/.785 (19.56/19.94)	3/4

SINGLE-LAYER BRAID GROUND STRAP					
Size Code	CSA (KCMIL)	CSA (mm ²)	Ref. AWG Equivalent	Nom. Resistance mOhm/m	Max. Lug Code
125	3.0	1.5	16-15	11.90	B
203	7.8	4.0	12-11	4.70	D
250	9.6	4.9	11-10	3.90	E
437	10.8	5.5	10	3.40	F
500	13.2	6.7	9	2.95	G
1000	19.2	9.7	8-7	2.20	J
1500	23.4	11.9	7-6	1.90	L
2000	28.8	14.6	6-5	1.55	M

DOUBLE-LAYER BRAID GROUND STRAP					
Size Code	CSA (KCMIL)	CSA (mm ²)	Ref. AWG Equivalent	Nom. Resistance mOhm/m	Max. Lug Code
125	6.0	3.0	13-12	5.95	B
203	1.56	8.0	9-8	2.35	D
250	19.2	9.8	8-7	1.95	E
437	21.6	11.0	7	1.70	F
500	26.4	13.4	6	1.50	G
1000	38.4	19.4	5-4	1.10	J
1500	46.8	23.8	4-3	0.95	L
2000	57.6	29.2	3-2	0.80	M

NOTES

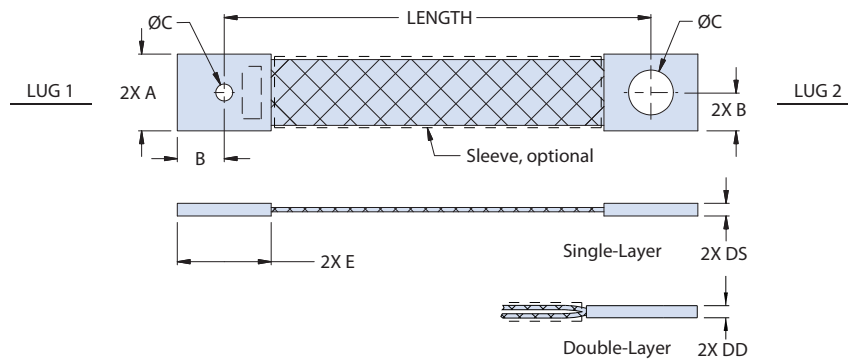
- Lug hole sizes may differ from each other depending on the part number development. Smaller lug hole diameter specified in "Lug 1" location in the part number. (Not applicable for RA right-angle lug configurations)
- Lug holes IAW AS7928
- Length tolerance: ± .250 inches (6.35 mm) up to 12 inches, or ± 2% for lengths > than 12".
- Consult Glenair for Ground Straps with larger cross-sectional area and braid gauge
- Ground Straps identified with Glenair name, P/N, and date code, space permitting

STANDARD-DUTY A-A-59569 Ground Straps



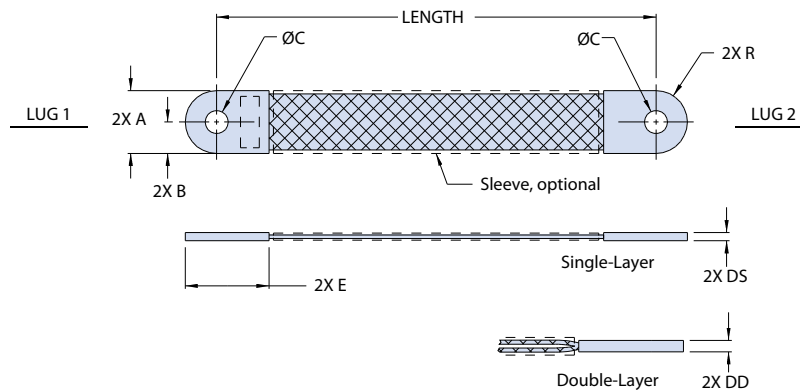
107-101 Tin-Plated Copper Braid Square Lugs / Radiused Lugs

SQ - SQUARE LUG DIMENSIONS



Size Code	A		B		DS (Single-Layer)		DD (Double-Layer)		E	
	In.	mm	In.	mm	In.	mm	In.	mm	In.	mm
125	.240	6.10	.120	3.05	.060	1.52	.075	1.91	.240	6.10
203	.330	8.38	.165	4.19	.070	1.78	.090	2.29	.330	8.38
250	.410	10.41	.205	5.21	.090	2.29	.120	3.05	.410	10.41
437	.530	13.46	.265	6.73	.085	2.16	.110	2.79	.530	13.46
500	.600	15.24	.300	7.62	.085	2.16	.110	2.79	.600	15.24
1000	.830	21.08	.415	10.54	.100	2.54	.130	3.30	.830	21.08
1500	1.000	25.40	.500	12.70	.100	2.54	.130	3.30	1.000	25.40
2000	1.180	29.97	.590	14.99	.100	2.54	.130	3.30	1.180	29.97

RD - RADIUSED LUG DIMENSIONS



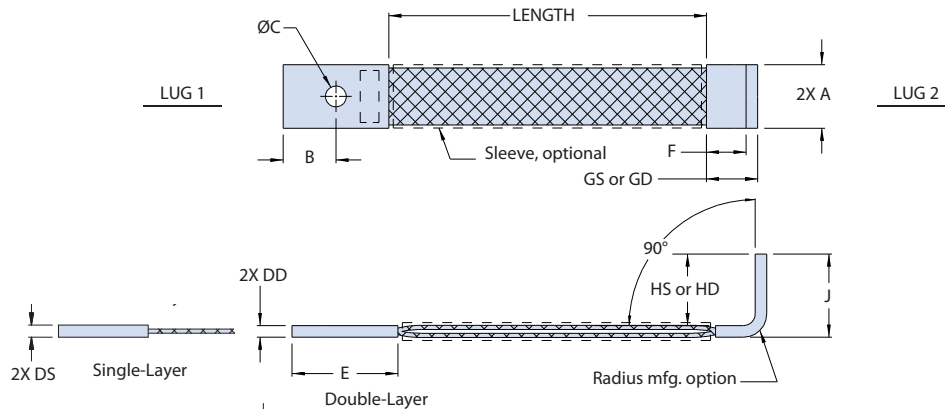
Size Code	A		B		DS (Single-Layer)		DD (Double-Layer)		E		R	
	In.	mm	In.	mm	In.	mm	In.	mm	In.	mm	In.	mm
125	.240	6.10	.120	3.05	.060	1.52	.075	1.91	.630	16.00	.120	3.05
203	.330	8.38	.165	4.19	.070	1.78	.090	2.29	.630	16.00	.165	4.19
250	.410	10.41	.205	5.21	.090	2.29	.120	3.05	.750	19.05	.205	5.21
437	.530	13.46	.265	6.73	.085	2.16	.110	2.79	.750	19.05	.265	6.73
500	.600	15.24	.300	7.62	.085	2.16	.110	2.79	.850	21.59	.300	7.62
1000	.830	21.08	.415	10.54	.100	2.54	.130	3.30	1.100	27.94	.415	10.54
1500	1.000	25.40	.500	12.70	.100	2.54	.130	3.30	1.250	31.75	.500	12.70
2000	1.180	29.97	.590	14.99	.100	2.54	.130	3.30	1.400	35.56	.590	14.99

STANDARD-DUTY A-A-59569 Ground Straps



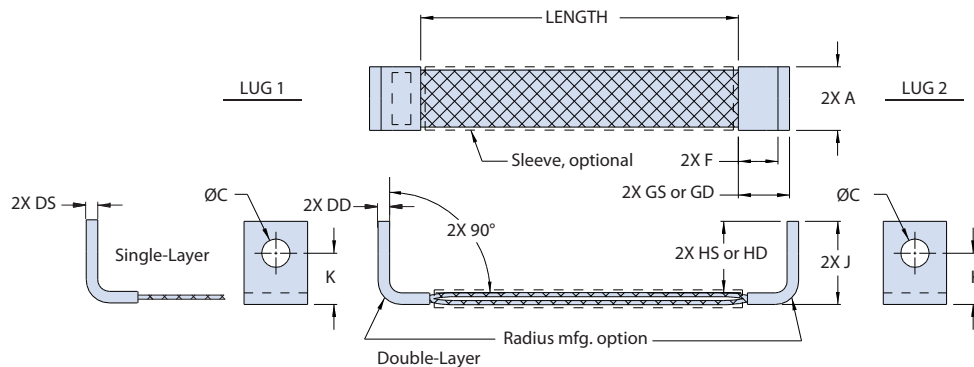
107-101 Tin-Plated Copper Braid Single / Double Right-Angle Lugs

RA - RIGHT-ANGLE LUG DIMENSIONS



Size Code	A		B		DS		DD		E		F Ref.		GS Ref. (Single-Layer)		GD Ref. (Double-Layer)		HS Ref. (Single-Layer)		HD Ref. (Double-Layer)		J		K Ref.	
	In.	mm	In.	mm	In.	mm	In.	mm	In.	mm	In.	mm	In.	mm	In.	mm	In.	mm	In.	mm	In.	mm	In.	mm
125	.240	6.10	.313	7.95	.060	1.52	.075	1.91	.630	16.00	.375	9.53	.435	11.05	.450	11.43	.590	14.99	.580	14.73	.650	16.51	.500	12.70
203	.330	8.38	.313	7.95	.070	1.78	.090	2.29	.630	16.00	.375	9.53	.445	11.30	.465	11.81	.630	16.00	.610	15.49	.700	17.78	.500	12.70
250	.410	10.41	.375	9.53	.090	2.29	.120	3.05	.750	19.05	.375	9.53	.465	11.81	.495	12.57	.660	16.76	.630	16.00	.750	19.05	.500	12.70
437	.530	13.46	.375	9.53	.085	2.16	.110	2.79	.750	19.05	.375	9.53	.460	11.68	.485	12.32	.820	20.83	.790	20.07	.900	22.86	.625	15.88
500	.600	15.24	.425	10.80	.085	2.16	.110	2.79	.850	21.59	.375	9.53	.460	11.68	.485	12.32	.920	23.37	.890	22.61	1.000	25.40	.625	15.88
1000	.830	21.08	.550	13.97	.100	2.54	.130	3.30	1.100	27.94	.500	12.70	.600	15.24	.630	16.00	1.050	26.67	1.020	25.91	1.150	29.21	.750	19.05
1500	1.000	25.40	.625	15.88	.100	2.54	.130	3.30	1.250	31.75	.500	12.70	.600	15.24	.630	16.00	1.150	29.21	1.120	28.45	1.250	31.75	.750	19.05
2000	1.180	29.97	.700	17.78	.100	2.54	.130	3.30	1.400	35.56	.500	12.70	.600	15.24	.630	16.00	1.250	31.75	1.220	30.99	1.350	34.29	.750	19.05

DRU - DOUBLE RIGHT-ANGLE (UP-UP) LUGS DIMENSIONS



Size Code	A		DS		DD		F Ref.		GS Ref. (Single-Layer)		GD Ref. (Double-Layer)		HS Ref. (Single-Layer)		HD Ref. (Double-Layer)		J		K Ref.	
	In.	mm	In.	mm	In.	mm	In.	mm	In.	mm	In.	mm	In.	mm	In.	mm	In.	mm	In.	mm
125	.240	6.10	.060	1.52	.075	1.91	.375	9.53	.435	11.05	.450	11.43	.590	14.99	.580	14.73	.650	16.51	.500	12.70
203	.330	8.38	.070	1.78	.090	2.29	.375	9.53	.445	11.30	.465	11.81	.630	16.00	.610	15.49	.700	17.78	.500	12.70
250	.410	10.41	.090	2.29	.120	3.05	.375	9.53	.465	11.81	.495	12.57	.660	16.76	.630	16.00	.750	19.05	.500	12.70
437	.530	13.46	.085	2.16	.110	2.79	.375	9.53	.460	11.68	.485	12.32	.820	20.83	.790	20.07	.900	22.86	.625	15.88
500	.600	15.24	.085	2.16	.110	2.79	.375	9.53	.460	11.68	.485	12.32	.920	23.37	.890	22.61	1.000	25.40	.625	15.88
1000	.830	21.08	.100	2.54	.130	3.30	.500	12.70	.600	15.24	.630	16.00	1.050	26.67	1.020	25.91	1.150	29.21	.750	19.05
1500	1.000	25.40	.100	2.54	.130	3.30	.500	12.70	.600	15.24	.630	16.00	1.150	29.21	1.120	28.45	1.250	31.75	.750	19.05
2000	1.180	29.97	.100	2.54	.130	3.30	.500	12.70	.600	15.24	.630	16.00	1.250	31.75	1.220	30.99	1.350	34.29	.750	19.05

STANDARD-DUTY A-A-59569 Ground Straps



107-102 Silver-Plated Copper Braid Configurable Crimp Lugs



HOW TO ORDER							
Sample Part Number	107-102	S	-RD	-2000	A	E	-6 S
Product Series	Silver-plated copper ground strap						
Braid Layers	S = Single D = Double						
Lug Configuration	-SQ = Square Lugs -RD = Radiused Lugs -RA = Right-Angle Lugs -DRU = Double Right-Angle Lugs, Up-Up						
Size Code	125 – 2000, See Dimensions Tables						
Lug 1 Hole	A – M, See Table. If two different sized lug holes are required, specify smaller lug hole in this location.						
Lug 2 Hole	A – M, See Table						
Length	In inches						
Insulation Sleeving	S = Black sleeving over braid C = Clear sleeving over braid Omit = No sleeving						

GROUND STRAP FEATURES

- Soft-drawn silver-plated copper braid
- High-temperature tolerant to 200°C
- EMI frequency effective from 10KHz to 1 GHz
- 125 lbs. pull strength (.500 dia. braid)
- 48 hours salt spray corrosion resistant
- Lightweight, durable, configurable crimp lugs: square, radiused, straight, single- and double-right-angle versions
- Available black or clear sleeving over braid

MATERIAL/FINISH

- Braid - 36 AWG copper / silver plate IAW A-A-59569
- Lugs - copper / silver plate per ASTM B700
- Sleeving - per M23053 or equivalent

LUG HOLE SIZE CODES		
Hole Size Code	Ø C	Stud Size (Ref.)
A	.114/.122 (2.90/3.10)	#4
B	.142/.152 (3.61/3.86)	#6
C	.168/.178 (4.27/4.52)	#8
D	.193/.203 (4.90/5.16)	#10
E	.260/.275 (6.60/6.99)	1/4
F	.323/.338 (8.20/8.59)	5/16
G	.385/.400 (9.78/10.16)	3/8
H	.448/.463 (11.38/11.76)	7/16
J	.510/.525 (12.95/13.34)	1/2
K	.573/.588 (14.55/14.94)	9/16
L	.651/.666 (16.54/16.92)	5/8
M	.770/.785 (19.56/19.94)	3/4

SINGLE-LAYER BRAID GROUND STRAP					
Size Code	CSA (KCMIL)	CSA (mm ²)	Ref. AWG Equivalent	Nom. Resistance mΩ/m	Max. Lug Code
125	3.0	1.5	16–15	7.90	B
203	7.8	4.0	12–11	3.10	D
250	9.6	4.9	11–10	2.65	E
437	10.8	5.5	10	2.20	F
500	13.2	6.7	9	2.00	G
1000	19.2	9.7	8–7	1.45	J
1500	23.4	11.9	7–6	1.30	L
2000	28.8	14.6	6–5	1.05	M

DOUBLE-LAYER BRAID GROUND STRAP					
Size Code	CSA (KCMIL)	CSA (mm ²)	Ref. AWG Equivalent	Nom. Resistance mΩ/m	Max. Lug Code
125	6.0	3.0	13–12	3.95	B
203	15.6	8.0	9–8	1.55	D
250	19.2	9.8	8–7	1.35	E
437	21.6	11.0	7	1.10	F
500	26.4	13.4	6	1.00	G
1000	38.4	19.4	5–4	0.75	J
1500	46.8	23.8	4–3	0.65	L
2000	57.6	29.2	3–2	0.55	M

NOTES

- Lug hole sizes may differ from each other depending on the part number development. Smaller lug hole diameter specified in "Lug 1" location in the part number. (Not applicable for RA right-angle lug configurations)
- Lug holes IAW AS7928
- Length tolerance: ± .250 inches (6.35 mm) up to 12 inches, or ± 2% for lengths > than 12".
- Consult Glenair for Ground Straps with larger cross-sectional area and braid gauge
- Ground Straps identified with Glenair name, P/N, and date code, space permitting

STANDARD-DUTY A-A-59569 Ground Straps



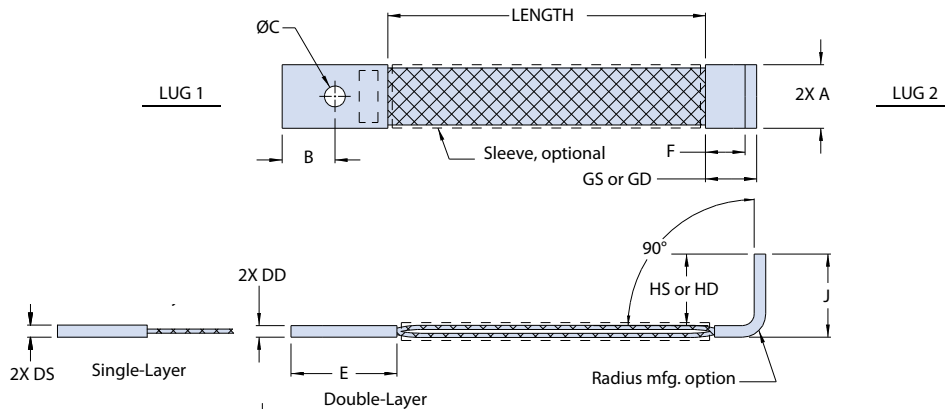
107-102 Silver-Plated Copper Braid Square Lugs / Radiused Lugs

SQ - SQUARE LUG DIMENSIONS										
Size Code	A		B		DS (Single-Layer)		DD (Double-Layer)		E	
	In.	mm	In.	mm	In.	mm	In.	mm	In.	mm
125	.240	6.10	.120	3.05	.060	1.52	.075	1.91	.240	6.10
203	.330	8.38	.165	4.19	.070	1.78	.090	2.29	.330	8.38
250	.410	10.41	.205	5.21	.090	2.29	.120	3.05	.410	10.41
437	.530	13.46	.265	6.73	.085	2.16	.110	2.79	.530	13.46
500	.600	15.24	.300	7.62	.085	2.16	.110	2.79	.600	15.24
1000	.830	21.08	.415	10.54	.100	2.54	.130	3.30	.830	21.08
1500	1.000	25.40	.500	12.70	.100	2.54	.130	3.30	1.000	25.40
2000	1.180	29.97	.590	14.99	.100	2.54	.130	3.30	1.180	29.97

RD - RADIUSED LUG DIMENSIONS												
Size Code	A		B		DS (Single-Layer)		DD (Double-Layer)		E		R	
	In.	mm	In.	mm	In.	mm	In.	mm	In.	mm	In.	mm
125	.240	6.10	.120	3.05	.060	1.52	.075	1.91	.630	16.00	.120	3.05
203	.330	8.38	.165	4.19	.070	1.78	.090	2.29	.630	16.00	.165	4.19
250	.410	10.41	.205	5.21	.090	2.29	.120	3.05	.750	19.05	.205	5.21
437	.530	13.46	.265	6.73	.085	2.16	.110	2.79	.750	19.05	.265	6.73
500	.600	15.24	.300	7.62	.085	2.16	.110	2.79	.850	21.59	.300	7.62
1000	.830	21.08	.415	10.54	.100	2.54	.130	3.30	1.100	27.94	.415	10.54
1500	1.000	25.40	.500	12.70	.100	2.54	.130	3.30	1.250	31.75	.500	12.70
2000	1.180	29.97	.590	14.99	.100	2.54	.130	3.30	1.400	35.56	.590	14.99

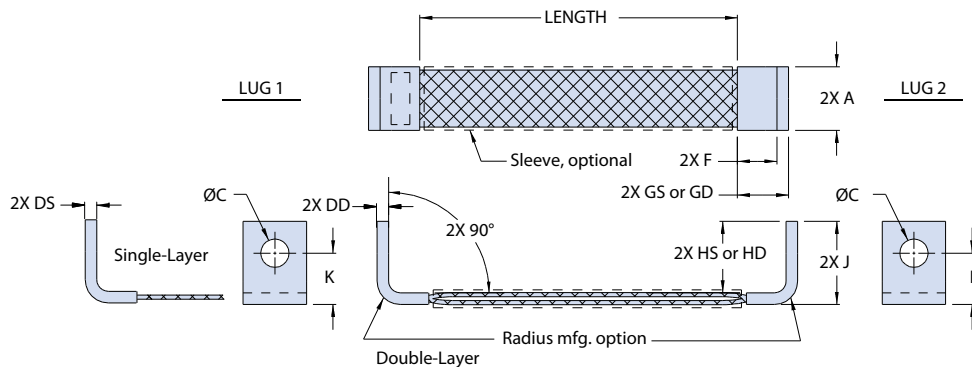
107-102 Silver-Plated Copper Braid Single / Double Right-Angle Lugs

RA - RIGHT-ANGLE LUG DIMENSIONS



Size Code	A		B		DS		DD		E		F Ref.		GS Ref. (Single-Layer)		GD Ref. (Double-Layer)		HS Ref. (Single-Layer)		HD Ref. (Double-Layer)		J		K Ref.	
	In.	mm	In.	mm	In.	mm	In.	mm	In.	mm	In.	mm	In.	mm	In.	mm	In.	mm	In.	mm	In.	mm	In.	mm
125	.240	6.10	.313	7.95	.060	1.52	.075	1.91	.630	16.00	.375	9.53	.435	11.05	.450	11.43	.590	14.99	.580	14.73	.650	16.51	.500	12.70
203	.330	8.38	.313	7.95	.070	1.78	.090	2.29	.630	16.00	.375	9.53	.445	11.30	.465	11.81	.630	16.00	.610	15.49	.700	17.78	.500	12.70
250	.410	10.41	.375	9.53	.090	2.29	.120	3.05	.750	19.05	.375	9.53	.465	11.81	.495	12.57	.660	16.76	.630	16.00	.750	19.05	.500	12.70
437	.530	13.46	.375	9.53	.085	2.16	.110	2.79	.750	19.05	.375	9.53	.460	11.68	.485	12.32	.820	20.83	.790	20.07	.900	22.86	.625	15.88
500	.600	15.24	.425	10.80	.085	2.16	.110	2.79	.850	21.59	.375	9.53	.460	11.68	.485	12.32	.920	23.37	.890	22.61	1.000	25.40	.625	15.88
1000	.830	21.08	.550	13.97	.100	2.54	.130	3.30	1.100	27.94	.500	12.70	.600	15.24	.630	16.00	1.050	26.67	1.020	25.91	1.150	29.21	.750	19.05
1500	1.000	25.40	.625	15.88	.100	2.54	.130	3.30	1.250	31.75	.500	12.70	.600	15.24	.630	16.00	1.150	29.21	1.120	28.45	1.250	31.75	.750	19.05
2000	1.180	29.97	.700	17.78	.100	2.54	.130	3.30	1.400	35.56	.500	12.70	.600	15.24	.630	16.00	1.250	31.75	1.220	30.99	1.350	34.29	.750	19.05

DRU - DOUBLE RIGHT-ANGLE (UP-UP) LUGS DIMENSIONS

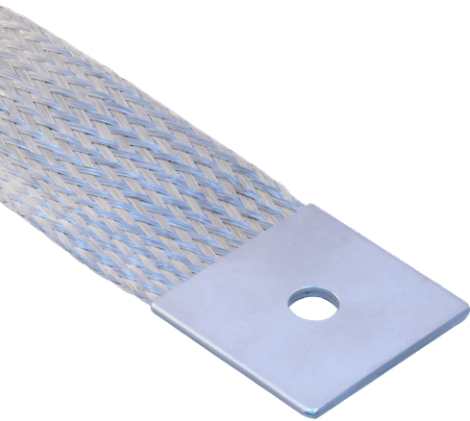


Size Code	A		DS		DD		F Ref.		GS Ref. (Single-Layer)		GD Ref. (Double-Layer)		HS Ref. (Single-Layer)		HD Ref. (Double-Layer)		J		K Ref.	
	In.	mm	In.	mm	In.	mm	In.	mm	In.	mm	In.	mm	In.	mm	In.	mm	In.	mm	In.	mm
125	.240	6.10	.060	1.52	.075	1.91	.375	9.53	.435	11.05	.450	11.43	.590	14.99	.580	14.73	.650	16.51	.500	12.70
203	.330	8.38	.070	1.78	.090	2.29	.375	9.53	.445	11.30	.465	11.81	.630	16.00	.610	15.49	.700	17.78	.500	12.70
250	.410	10.41	.090	2.29	.120	3.05	.375	9.53	.465	11.81	.495	12.57	.660	16.76	.630	16.00	.750	19.05	.500	12.70
437	.530	13.46	.085	2.16	.110	2.79	.375	9.53	.460	11.68	.485	12.32	.820	20.83	.790	20.07	.900	22.86	.625	15.88
500	.600	15.24	.085	2.16	.110	2.79	.375	9.53	.460	11.68	.485	12.32	.920	23.37	.890	22.61	1.000	25.40	.625	15.88
1000	.830	21.08	.100	2.54	.130	3.30	.500	12.70	.600	15.24	.630	16.00	1.050	26.67	1.020	25.91	1.150	29.21	.750	19.05
1500	1.000	25.40	.100	2.54	.130	3.30	.500	12.70	.600	15.24	.630	16.00	1.150	29.21	1.120	28.45	1.250	31.75	.750	19.05
2000	1.180	29.97	.100	2.54	.130	3.30	.500	12.70	.600	15.24	.630	16.00	1.250	31.75	1.220	30.99	1.350	34.29	.750	19.05

STANDARD-DUTY A-A-59569 Ground Straps



107-103 Nickel-Plated Copper Braid Configurable Crimp Lugs



HOW TO ORDER							
Sample Part Number	107-103	S	-RD	-2000	A	E	-6 S
Product Series	Nickel-plated copper ground strap						
Braid Layers	S = Single D = Double						
Lug Configuration	-SQ = Square Lugs -RD = Radiused Lugs -RA = Right-Angle Lugs -DRU = Double Right-Angle Lugs, Up-Up						
Size Code	125 - 2000, See Dimensions Tables						
Lug 1 Hole	A - M, See Table. If two different sized lug holes are required, specify smaller lug hole in this location.						
Lug 2 Hole	A - M, See Table						
Length	In inches						
Insulation Sleeving	S = Black sleeving over braid C = Clear sleeving over braid Omit = No sleeving						

GROUND STRAP FEATURES

- Highly-conductive soft-drawn nickel-plated copper braid
- EMI frequency effective from 10KHz to 1 GHz
- 200°C temperature tolerant
- 125 lbs. pull strength (.500 dia. braid)
- 500 hours salt spray corrosion resistant
- Good abrasion resistance
- Lightweight, durable, configurable crimp lugs: square, radiused, straight, single- and double-right-angle versions
- Available black or clear sleeving over braid

MATERIAL/FINISH

- Braid - 36 AWG copper / nickel plate IAW A-A-59569
- Lugs - copper / nickel plate per AMS-C-26074
- Sleeving - per M23053 or equivalent

LUG HOLE SIZE CODES

Hole Size Code	Ø C	Stud Size (Ref.)
A	.114/.122 (2.90/3.10)	#4
B	.142/.152 (3.61/3.86)	#6
C	.168/.178 (4.27/4.52)	#8
D	.193/.203 (4.90/5.16)	#10
E	.260/.275 (6.60/6.99)	1/4
F	.323/.338 (8.20/8.59)	5/16
G	.385/.400 (9.78/10.16)	3/8
H	.448/.463 (11.38/11.76)	7/16
J	.510/.525 (12.95/13.34)	1/2
K	.573/.588 (14.55/14.94)	9/16
L	.651/.666 (16.54/16.92)	5/8
M	.770/.785 (19.56/19.94)	3/4

SINGLE-LAYER BRAID GROUND STRAP

Size Code	CSA (KCMIL)	CSA (mm ²)	Ref. AWG Equivalent	Nom. Resistance mOhm/m	Max. Lug Code
125	3.0	1.5	16-15	12.65	B
203	7.8	4.0	12-11	5.00	D
250	9.6	4.9	11-10	4.25	E
437	10.8	5.5	10	3.60	F
500	13.2	6.7	9	3.15	G
1000	19.2	9.7	8-7	2.35	J
1500	23.4	11.9	7-6	2.05	L
2000	28.8	14.6	6-5	1.65	M

DOUBLE-LAYER BRAID GROUND STRAP

Size Code	CSA (KCMIL)	CSA (mm ²)	Ref. AWG Equivalent	Nom. Resistance mOhm/m	Max. Lug Code
125	6.0	3.0	13-12	6.35	B
203	1.56	8.0	9-8	2.50	D
250	19.2	9.8	8-7	2.15	E
437	21.6	11.0	7	1.80	F
500	26.4	13.4	6	1.60	G
1000	38.4	19.4	5-4	1.20	J
1500	46.8	23.8	4-3	1.05	L
2000	57.6	29.2	3-2	0.85	M

NOTES

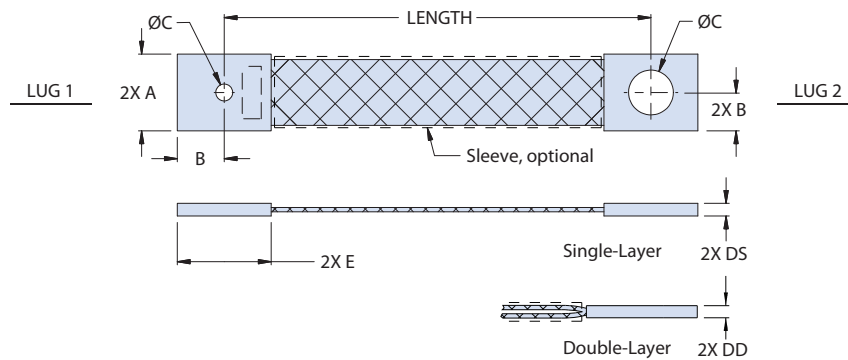
- Lug hole sizes may differ from each other depending on the part number development. Smaller lug hole diameter specified in "Lug 1" location in the part number. (Not applicable for RA right-angle lug configurations)
- Lug holes IAW AS7928
- Length tolerance: ± .250 inches (6.35 mm) up to 12 inches, or ± 2% for lengths > than 12".
- Consult Glenair for Ground Straps with larger cross-sectional area and braid gauge
- Ground Straps identified with Glenair name, P/N, and date code, space permitting

STANDARD-DUTY A-A-59569 Ground Straps



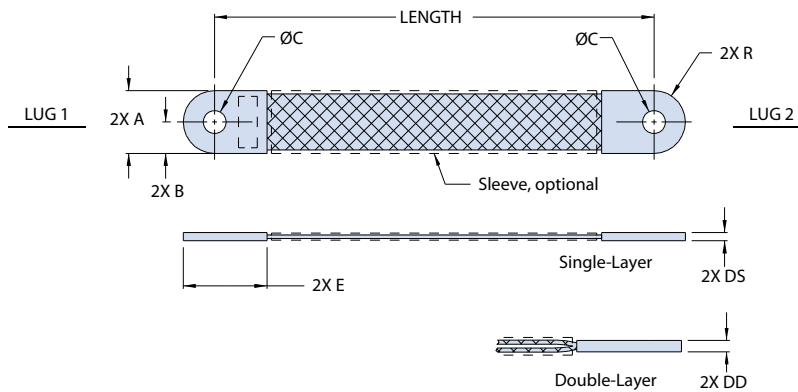
107-103 Nickel-Plated Copper Braid Square Lugs / Radiused Lugs

SQ - SQUARE LUG DIMENSIONS



Size Code	A		B		DS (Single-Layer)		DD (Double-Layer)		E	
	In.	mm	In.	mm	In.	mm	In.	mm	In.	mm
125	.240	6.10	.120	3.05	.060	1.52	.075	1.91	.240	6.10
203	.330	8.38	.165	4.19	.070	1.78	.090	2.29	.330	8.38
250	.410	10.41	.205	5.21	.090	2.29	.120	3.05	.410	10.41
437	.530	13.46	.265	6.73	.085	2.16	.110	2.79	.530	13.46
500	.600	15.24	.300	7.62	.085	2.16	.110	2.79	.600	15.24
1000	.830	21.08	.415	10.54	.100	2.54	.130	3.30	.830	21.08
1500	1.000	25.40	.500	12.70	.100	2.54	.130	3.30	1.000	25.40
2000	1.180	29.97	.590	14.99	.100	2.54	.130	3.30	1.180	29.97

RD - RADIUSED LUG DIMENSIONS



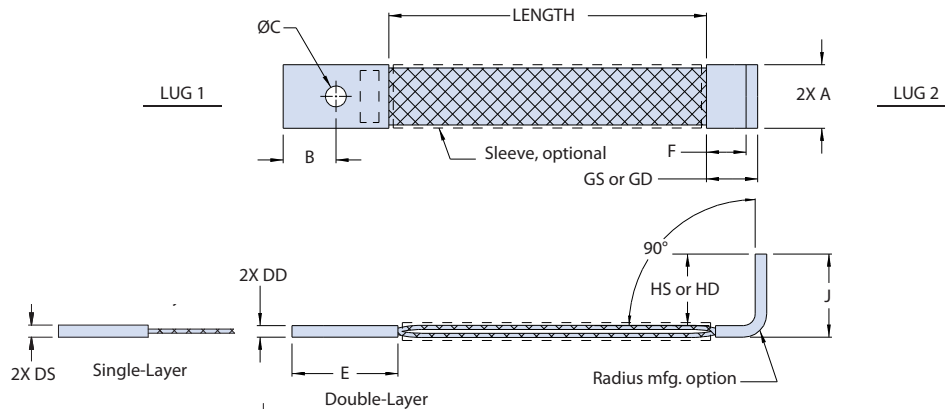
Size Code	A		B		DS (Single-Layer)		DD (Double-Layer)		E		R	
	In.	mm	In.	mm	In.	mm	In.	mm	In.	mm	In.	mm
125	.240	6.10	.120	3.05	.060	1.52	.075	1.91	.630	16.00	.120	3.05
203	.330	8.38	.165	4.19	.070	1.78	.090	2.29	.630	16.00	.165	4.19
250	.410	10.41	.205	5.21	.090	2.29	.120	3.05	.750	19.05	.205	5.21
437	.530	13.46	.265	6.73	.085	2.16	.110	2.79	.750	19.05	.265	6.73
500	.600	15.24	.300	7.62	.085	2.16	.110	2.79	.850	21.59	.300	7.62
1000	.830	21.08	.415	10.54	.100	2.54	.130	3.30	1.100	27.94	.415	10.54
1500	1.000	25.40	.500	12.70	.100	2.54	.130	3.30	1.250	31.75	.500	12.70
2000	1.180	29.97	.590	14.99	.100	2.54	.130	3.30	1.400	35.56	.590	14.99

STANDARD-DUTY A-A-59569 Ground Straps



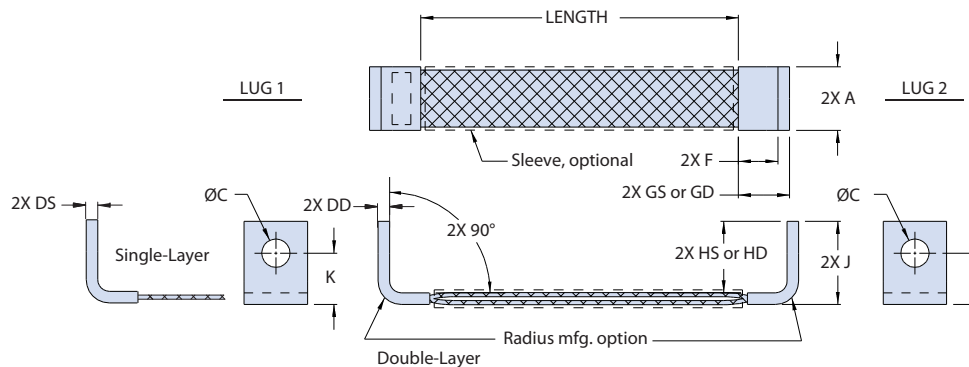
107-103 Nickel-Plated Copper Braid Single / Double Right-Angle Lugs

RA - RIGHT-ANGLE LUG DIMENSIONS



Size Code	A		B		DS		DD		E		F Ref.		GS Ref. (Single-Layer)		GD Ref. (Double-Layer)		HS Ref. (Single-Layer)		HD Ref. (Double-Layer)		J		K Ref.	
	In.	mm	In.	mm	In.	mm	In.	mm	In.	mm	In.	mm	In.	mm	In.	mm	In.	mm	In.	mm	In.	mm	In.	mm
125	.240	6.10	.313	7.95	.060	1.52	.075	1.91	.630	16.00	.375	9.53	.435	11.05	.450	11.43	.590	14.99	.580	14.73	.650	16.51	.500	12.70
203	.330	8.38	.313	7.95	.070	1.78	.090	2.29	.630	16.00	.375	9.53	.445	11.30	.465	11.81	.630	16.00	.610	15.49	.700	17.78	.500	12.70
250	.410	10.41	.375	9.53	.090	2.29	.120	3.05	.750	19.05	.375	9.53	.465	11.81	.495	12.57	.660	16.76	.630	16.00	.750	19.05	.500	12.70
437	.530	13.46	.375	9.53	.085	2.16	.110	2.79	.750	19.05	.375	9.53	.460	11.68	.485	12.32	.820	20.83	.790	20.07	.900	22.86	.625	15.88
500	.600	15.24	.425	10.80	.085	2.16	.110	2.79	.850	21.59	.375	9.53	.460	11.68	.485	12.32	.920	23.37	.890	22.61	1.000	25.40	.625	15.88
1000	.830	21.08	.550	13.97	.100	2.54	.130	3.30	1.100	27.94	.500	12.70	.600	15.24	.630	16.00	1.050	26.67	1.020	25.91	1.150	29.21	.750	19.05
1500	1.000	25.40	.625	15.88	.100	2.54	.130	3.30	1.250	31.75	.500	12.70	.600	15.24	.630	16.00	1.150	29.21	1.120	28.45	1.250	31.75	.750	19.05
2000	1.180	29.97	.700	17.78	.100	2.54	.130	3.30	1.400	35.56	.500	12.70	.600	15.24	.630	16.00	1.250	31.75	1.220	30.99	1.350	34.29	.750	19.05

DRU - DOUBLE RIGHT-ANGLE (UP-UP) LUGS DIMENSIONS

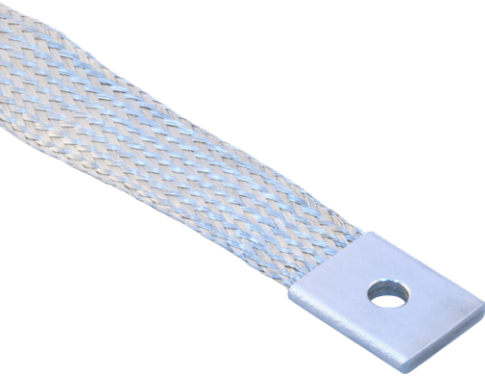


Size Code	A		DS		DD		F Ref.		GS Ref. (Single-Layer)		GD Ref. (Double-Layer)		HS Ref. (Single-Layer)		HD Ref. (Double-Layer)		J		K Ref.	
	In.	mm	In.	mm	In.	mm	In.	mm	In.	mm	In.	mm	In.	mm	In.	mm	In.	mm	In.	mm
125	.240	6.10	.060	1.52	.075	1.91	.375	9.53	.435	11.05	.450	11.43	.590	14.99	.580	14.73	.650	16.51	.500	12.70
203	.330	8.38	.070	1.78	.090	2.29	.375	9.53	.445	11.30	.465	11.81	.630	16.00	.610	15.49	.700	17.78	.500	12.70
250	.410	10.41	.090	2.29	.120	3.05	.375	9.53	.465	11.81	.495	12.57	.660	16.76	.630	16.00	.750	19.05	.500	12.70
437	.530	13.46	.085	2.16	.110	2.79	.375	9.53	.460	11.68	.485	12.32	.820	20.83	.790	20.07	.900	22.86	.625	15.88
500	.600	15.24	.085	2.16	.110	2.79	.375	9.53	.460	11.68	.485	12.32	.920	23.37	.890	22.61	1.000	25.40	.625	15.88
1000	.830	21.08	.100	2.54	.130	3.30	.500	12.70	.600	15.24	.630	16.00	1.050	26.67	1.020	25.91	1.150	29.21	.750	19.05
1500	1.000	25.40	.100	2.54	.130	3.30	.500	12.70	.600	15.24	.630	16.00	1.150	29.21	1.120	28.45	1.250	31.75	.750	19.05
2000	1.180	29.97	.100	2.54	.130	3.30	.500	12.70	.600	15.24	.630	16.00	1.250	31.75	1.220	30.99	1.350	34.29	.750	19.05

STANDARD-DUTY A-A-59569 Ground Straps



107-104 Stainless Steel Braid Configurable Crimp Lugs



HOW TO ORDER							
Sample Part Number	107-104	S	-RD	-2000	A	E	-6 S
Product Series	Stainless steel ground strap						
Braid Layers	S = Single D = Double						
Lug Configuration	-SQ = Square Lugs -RD = Radiused Lugs -RA = Right-Angle Lugs -DRU = Double Right-Angle Lugs, Up-Up						
Size Code	125 – 2000, See Dimensions Tables						
Lug 1 Hole	A – M, See Table. If two different sized lug holes are required, specify smaller lug hole in this location.						
Lug 2 Hole	A – M, See Table						
Length	In inches						
Insulation Sleeving	S = Black sleeving over braid C = Clear sleeving over braid Omit = No sleeving						

GROUND STRAP FEATURES

- Soft-drawn stainless steel braid
- High-temperature tolerant to 260°C
- 1000 hours salt spray corrosion resistant
- EMI frequency effective from 10KHz to 1 GHz
- 225 lbs. pull strength (.500 dia. braid)
- Lightweight, durable, configurable crimp lugs: square, radiused, straight, single- and double-right-angle versions
- Available black or clear sleeving over braid

MATERIAL/FINISH

- Braid - 36 AWG stainless steel per ASTM A580
- Lugs - stainless steel / passivate per AMS2700
- Sleeving - per M23053 or equivalent

LUG HOLE SIZE CODES		
Hole Size Code	Ø C	Stud Size (Ref.)
A	.114/.122 (2.90/3.10)	#4
B	.142/.152 (3.61/3.86)	#6
C	.168/.178 (4.27/4.52)	#8
D	.193/.203 (4.90/5.16)	#10
E	.260/.275 (6.60/6.99)	1/4
F	.323/.338 (8.20/8.59)	5/16
G	.385/.400 (9.78/10.16)	3/8
H	.448/.463 (11.38/11.76)	7/16
J	.510/.525 (12.95/13.34)	1/2
K	.573/.588 (14.55/14.94)	9/16
L	.651/.666 (16.54/16.92)	5/8
M	.770/.785 (19.56/19.94)	3/4

SINGLE-LAYER BRAID GROUND STRAP					
Size Code	CSA (KCMIL)	CSA (mm ²)	Ref. AWG Equivalent	Nom. Resistance mΩm/m	Max. Lug Code
125	3.0	1.5	16–15	573.00	B
203	7.8	4.0	12–11	225.00	D
250	9.6	4.9	11–10	187.00	E
437	10.8	5.5	10	163.00	F
500	13.2	6.7	9	138.00	G
1000	19.2	9.7	8–7	104.00	J
1500	23.4	11.9	7–6	90.00	L
2000	28.8	14.6	6–5	74.00	M

DOUBLE-LAYER BRAID GROUND STRAP					
Size Code	CSA (KCMIL)	CSA (mm ²)	Ref. AWG Equivalent	Nom. Resistance mΩm/m	Max. Lug Code
125	6.0	3.0	13–12	286.50	B
203	15.6	8.0	9–8	112.50	D
250	19.2	9.8	8–7	93.50	E
437	21.6	11.0	7	81.50	F
500	26.4	13.4	6	69.00	G
1000	38.4	19.4	5–4	52.00	J
1500	46.8	23.8	4–3	45.00	L
2000	57.6	29.2	3–2	37.00	M

NOTES

- Lug hole sizes may differ from each other depending on the part number development. Smaller lug hole diameter specified in "Lug 1" location in the part number. (Not applicable for RA right-angle lug configurations)
- Lug holes IAW AS7928
- Length tolerance: ± .250 inches (6.35 mm) up to 12 inches, or ± 2% for lengths > than 12".
- Consult Glenair for Ground Straps with larger cross-sectional area and braid gauge
- Ground Straps identified with Glenair name, P/N, and date code, space permitting

STANDARD-DUTY A-A-59569 Ground Straps



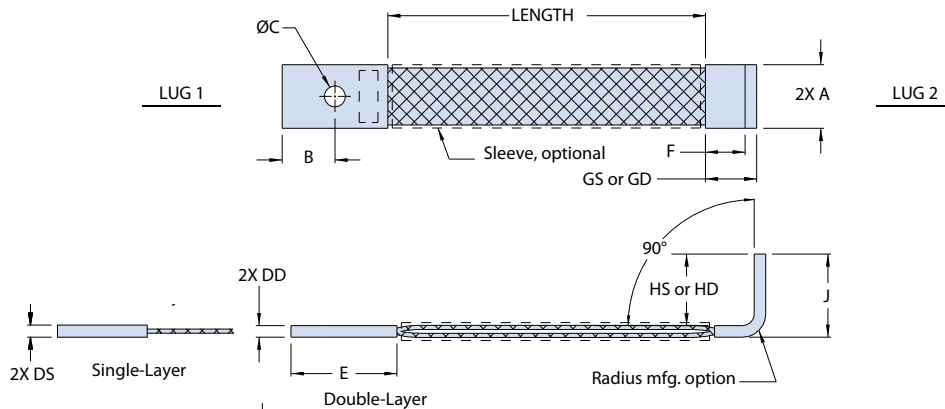
107-104 Stainless Steel Braid Square Lugs / Radiused Lugs

SQ - SQUARE LUG DIMENSIONS										
Size Code	A		B		DS (Single-Layer)		DD (Double-Layer)		E	
	In.	mm	In.	mm	In.	mm	In.	mm	In.	mm
125	.240	6.10	.120	3.05	.060	1.52	.075	1.91	.240	6.10
203	.330	8.38	.165	4.19	.070	1.78	.090	2.29	.330	8.38
250	.410	10.41	.205	5.21	.090	2.29	.120	3.05	.410	10.41
437	.530	13.46	.265	6.73	.085	2.16	.110	2.79	.530	13.46
500	.600	15.24	.300	7.62	.085	2.16	.110	2.79	.600	15.24
1000	.830	21.08	.415	10.54	.100	2.54	.130	3.30	.830	21.08
1500	1.000	25.40	.500	12.70	.100	2.54	.130	3.30	1.000	25.40
2000	1.180	29.97	.590	14.99	.100	2.54	.130	3.30	1.180	29.97

RD - RADIUSED LUG DIMENSIONS												
Size Code	A		B		DS (Single-Layer)		DD (Double-Layer)		E		R	
	In.	mm	In.	mm	In.	mm	In.	mm	In.	mm	In.	mm
125	.240	6.10	.120	3.05	.060	1.52	.075	1.91	.630	16.00	.120	3.05
203	.330	8.38	.165	4.19	.070	1.78	.090	2.29	.630	16.00	.165	4.19
250	.410	10.41	.205	5.21	.090	2.29	.120	3.05	.750	19.05	.205	5.21
437	.530	13.46	.265	6.73	.085	2.16	.110	2.79	.750	19.05	.265	6.73
500	.600	15.24	.300	7.62	.085	2.16	.110	2.79	.850	21.59	.300	7.62
1000	.830	21.08	.415	10.54	.100	2.54	.130	3.30	1.100	27.94	.415	10.54
1500	1.000	25.40	.500	12.70	.100	2.54	.130	3.30	1.250	31.75	.500	12.70
2000	1.180	29.97	.590	14.99	.100	2.54	.130	3.30	1.400	35.56	.590	14.99

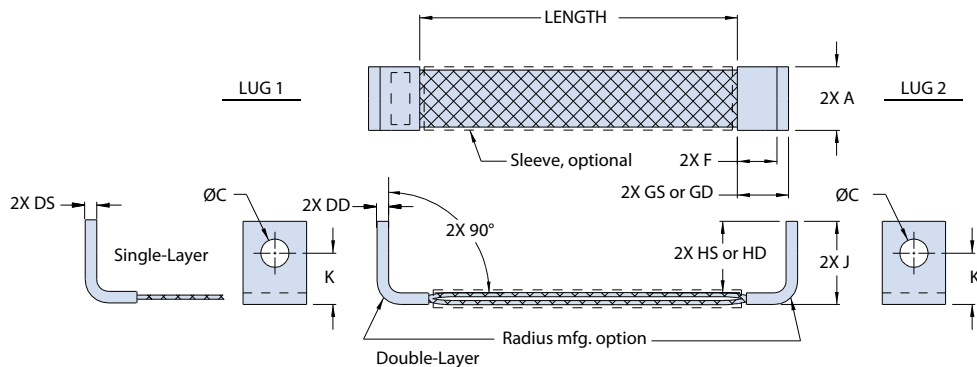
107-104 Stainless Steel Braid
Single / Double Right-Angle Lugs

RA - RIGHT-ANGLE LUG DIMENSIONS



Size Code	A		B		DS		DD		E		F Ref.		GS Ref. (Single-Layer)		GD Ref. (Double-Layer)		HS Ref. (Single-Layer)		HD Ref. (Double-Layer)		J		K Ref.	
	In.	mm	In.	mm	In.	mm	In.	mm	In.	mm	In.	mm	In.	mm	In.	mm	In.	mm	In.	mm	In.	mm	In.	mm
125	.240	6.10	.313	7.95	.060	1.52	.075	1.91	.630	16.00	.375	9.53	.435	11.05	.450	11.43	.590	14.99	.580	14.73	.650	16.51	.500	12.70
203	.330	8.38	.313	7.95	.070	1.78	.090	2.29	.630	16.00	.375	9.53	.445	11.30	.465	11.81	.630	16.00	.610	15.49	.700	17.78	.500	12.70
250	.410	10.41	.375	9.53	.090	2.29	.120	3.05	.750	19.05	.375	9.53	.465	11.81	.495	12.57	.660	16.76	.630	16.00	.750	19.05	.500	12.70
437	.530	13.46	.375	9.53	.085	2.16	.110	2.79	.750	19.05	.375	9.53	.460	11.68	.485	12.32	.820	20.83	.790	20.07	.900	22.86	.625	15.88
500	.600	15.24	.425	10.80	.085	2.16	.110	2.79	.850	21.59	.375	9.53	.460	11.68	.485	12.32	.920	23.37	.890	22.61	1.000	25.40	.625	15.88
1000	.830	21.08	.550	13.97	.100	2.54	.130	3.30	1.100	27.94	.500	12.70	.600	15.24	.630	16.00	1.050	26.67	1.020	25.91	1.150	29.21	.750	19.05
1500	1.000	25.40	.625	15.88	.100	2.54	.130	3.30	1.250	31.75	.500	12.70	.600	15.24	.630	16.00	1.150	29.21	1.120	28.45	1.250	31.75	.750	19.05
2000	1.180	29.97	.700	17.78	.100	2.54	.130	3.30	1.400	35.56	.500	12.70	.600	15.24	.630	16.00	1.250	31.75	1.220	30.99	1.350	34.29	.750	19.05

DRU - DOUBLE RIGHT-ANGLE (UP-UP) LUGS DIMENSIONS



Size Code	A		DS		DD		F Ref.		GS Ref. (Single-Layer)		GD Ref. (Double-Layer)		HS Ref. (Single-Layer)		HD Ref. (Double-Layer)		J		K Ref.	
	In.	mm	In.	mm	In.	mm	In.	mm	In.	mm	In.	mm	In.	mm	In.	mm	In.	mm	In.	mm
125	.240	6.10	.060	1.52	.075	1.91	.375	9.53	.435	11.05	.450	11.43	.590	14.99	.580	14.73	.650	16.51	.500	12.70
203	.330	8.38	.070	1.78	.090	2.29	.375	9.53	.445	11.30	.465	11.81	.630	16.00	.610	15.49	.700	17.78	.500	12.70
250	.410	10.41	.090	2.29	.120	3.05	.375	9.53	.465	11.81	.495	12.57	.660	16.76	.630	16.00	.750	19.05	.500	12.70
437	.530	13.46	.085	2.16	.110	2.79	.375	9.53	.460	11.68	.485	12.32	.820	20.83	.790	20.07	.900	22.86	.625	15.88
500	.600	15.24	.085	2.16	.110	2.79	.375	9.53	.460	11.68	.485	12.32	.920	23.37	.890	22.61	1.000	25.40	.625	15.88
1000	.830	21.08	.100	2.54	.130	3.30	.500	12.70	.600	15.24	.630	16.00	1.050	26.67	1.020	25.91	1.150	29.21	.750	19.05
1500	1.000	25.40	.100	2.54	.130	3.30	.500	12.70	.600	15.24	.630	16.00	1.150	29.21	1.120	28.45	1.250	31.75	.750	19.05
2000	1.180	29.97	.100	2.54	.130	3.30	.500	12.70	.600	15.24	.630	16.00	1.250	31.75	1.220	30.99	1.350	34.29	.750	19.05

"BETTER THAN QPL" M24749-IV Equivalent Ground Straps



107-500 Stainless Steel Braid M24749 Type IV Style with configurable options



HOW TO ORDER							
Sample Part Number	107-500	S	-RD	-2000	A	E	-6 S
Product Series	Stainless steel ground strap						
Braid Layers	S = Single D = Double						
Lug Configuration	-SQ = Square Lugs -RD = Radiused Lugs -RA = Right-Angle Lugs -DRU = Double Right-Angle Lugs, Up-Up						
Size Code	125 - 2000, See Dimensions Tables						
Lug 1 Hole	A - M, See Table. If two different sized lug holes are required, specify smaller lug hole in this location.						
Lug 2 Hole	A - M, See Table						
Length	In inches						
Insulation Sleeving	S = Black sleeving over braid C = Clear sleeving over braid Omit = No sleeving						

GROUND STRAP FEATURES

- Meets the rigorous specifications of MIL-DTL-24749 Rev. C with width, length, and lug configuration options beyond standard mil-spec straps
- Tested to survive 1000 hours salt spray
- Unique Stainless Steel/Nickel hybrid braid
- Lightweight, durable, configurable crimp lugs: square, radiused, straight, single- and double-right-angle versions
- Available black or clear sleeving over braid

MATERIAL/FINISH

- Braid - 36 AWG stainless steel 50% / nickel 200 50%
- Lugs - stainless steel / passivate per AMS2700
- Sleeving - per M23053 or equivalent

LUG HOLE SIZE CODES

Hole Size Code	Ø C	Stud Size (Ref.)
A	.114/.122 (2.90/3.10)	#4
B	.142/.152 (3.61/3.86)	#6
C	.168/.178 (4.27/4.52)	#8
D	.193/.203 (4.90/5.16)	#10
E	.260/.275 (6.60/6.99)	1/4
F	.323/.338 (8.20/8.59)	5/16
G	.385/.400 (9.78/10.16)	3/8
H	.448/.463 (11.38/11.76)	7/16
J	.510/.525 (12.95/13.34)	1/2
K	.573/.588 (14.55/14.94)	9/16
L	.651/.666 (16.54/16.92)	5/8
M	.770/.785 (19.56/19.94)	3/4

SINGLE-LAYER BRAID GROUND STRAP

Size Code	CSA (KCMIL)	CSA (mm ²)	Ref. AWG Equivalent	Nom. Resistance mOhm/m	Max. Lug Code
125	3.0	1.5	16-15	131.00	B
203	7.8	4.0	12-11	52.00	D
250	9.6	4.9	11-10	43.00	E
437	10.8	5.5	10	37.00	F
500	13.2	6.7	9	31.00	G
1000	19.2	9.7	8-7	23.00	J
1500	23.4	11.9	7-6	20.50	L
2000	28.8	14.6	6-5	14.00	M

DOUBLE-LAYER BRAID GROUND STRAP

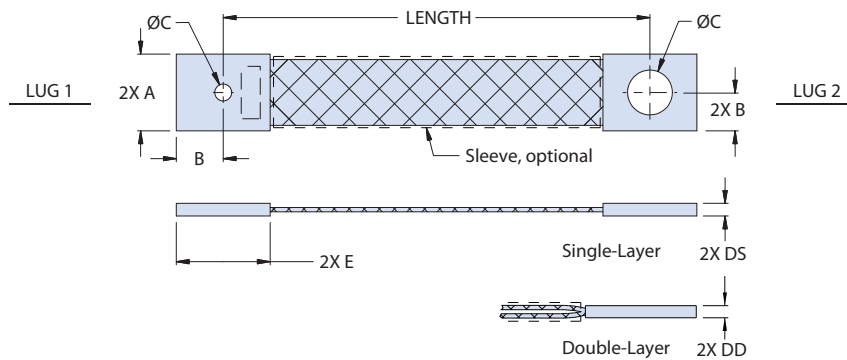
Size Code	CSA (KCMIL)	CSA (mm ²)	Ref. AWG Equivalent	Nom. Resistance mOhm/m	Max. Lug Code
125	6.0	3.0	13-12	65.50	B
203	1.56	8.0	9-8	26.00	D
250	19.2	9.8	8-7	21.50	E
437	21.6	11.0	7	18.50	F
500	26.4	13.4	6	15.50	G
1000	38.4	19.4	5-4	11.50	J
1500	46.8	23.8	4-3	10.50	L
2000	57.6	29.2	3-2	7.00	M

NOTES

- Ground strap IAW MIL-DTL-24749 Type IV with all options, except strap allows for nonstandard strap form, widths, lengths, and hole sizes.
- Lug hole sizes may differ from each other depending on the part number development. Smaller lug hole diameter specified in "Lug 1" location in the part number. (Not applicable for RA right-angle lug configurations). Lug holes IAW AS7928
- Length tolerance: ± .250 inches (6.35 mm) up to 5 inches, or ± 5% for lengths > than 5".
- Consult Glenair for Ground Straps with larger cross-sectional area and braid gauge
- Ground Straps identified with Glenair name, P/N, and date code, space permitting

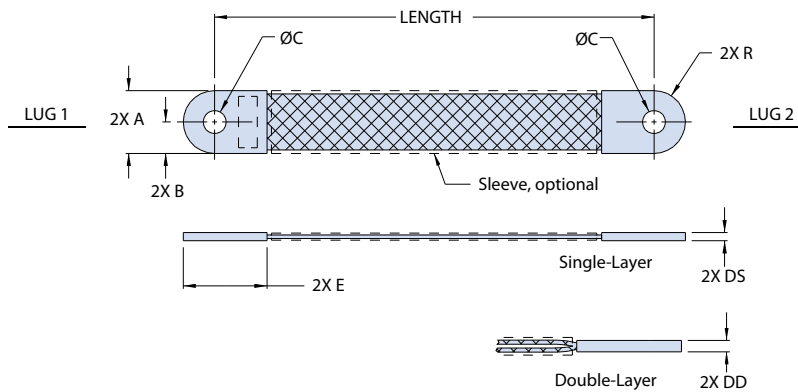
107-500 Stainless Steel Braid, M24749 Type IV Style Square Lugs / Radiused Lugs

SQ - SQUARE LUG DIMENSIONS



Size Code	A		B		DS (Single-Layer)		DD (Double-Layer)		E	
	In.	mm	In.	mm	In.	mm	In.	mm	In.	mm
125	.240	6.10	.120	3.05	.060	1.52	.075	1.91	.240	6.10
203	.330	8.38	.165	4.19	.070	1.78	.090	2.29	.330	8.38
250	.410	10.41	.205	5.21	.090	2.29	.120	3.05	.410	10.41
437	.530	13.46	.265	6.73	.085	2.16	.110	2.79	.530	13.46
500	.600	15.24	.300	7.62	.085	2.16	.110	2.79	.600	15.24
1000	.830	21.08	.415	10.54	.100	2.54	.130	3.30	.830	21.08
1500	1.000	25.40	.500	12.70	.100	2.54	.130	3.30	1.000	25.40
2000	1.180	29.97	.590	14.99	.100	2.54	.130	3.30	1.180	29.97

RD - RADIUSED LUG DIMENSIONS



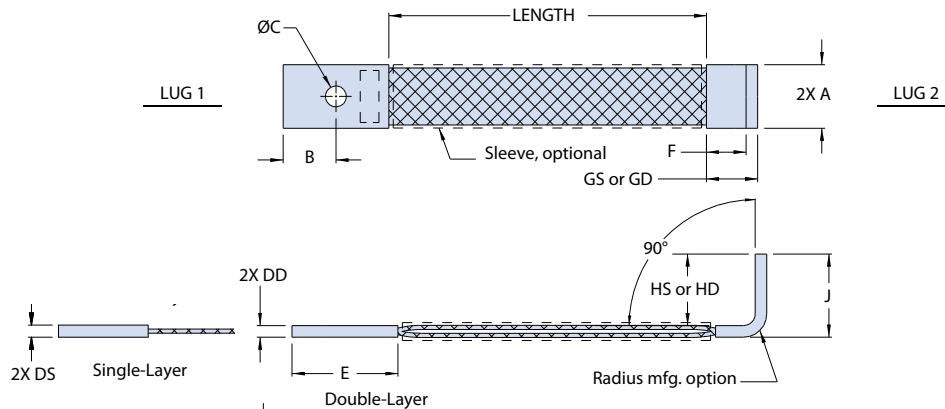
Size Code	A		B		DS (Single-Layer)		DD (Double-Layer)		E		R	
	In.	mm	In.	mm	In.	mm	In.	mm	In.	mm	In.	mm
125	.240	6.10	.120	3.05	.060	1.52	.075	1.91	.630	16.00	.120	3.05
203	.330	8.38	.165	4.19	.070	1.78	.090	2.29	.630	16.00	.165	4.19
250	.410	10.41	.205	5.21	.090	2.29	.120	3.05	.750	19.05	.205	5.21
437	.530	13.46	.265	6.73	.085	2.16	.110	2.79	.750	19.05	.265	6.73
500	.600	15.24	.300	7.62	.085	2.16	.110	2.79	.850	21.59	.300	7.62
1000	.830	21.08	.415	10.54	.100	2.54	.130	3.30	1.100	27.94	.415	10.54
1500	1.000	25.40	.500	12.70	.100	2.54	.130	3.30	1.250	31.75	.500	12.70
2000	1.180	29.97	.590	14.99	.100	2.54	.130	3.30	1.400	35.56	.590	14.99

"BETTER THAN QPL" M24749-IV Equivalent Ground Straps



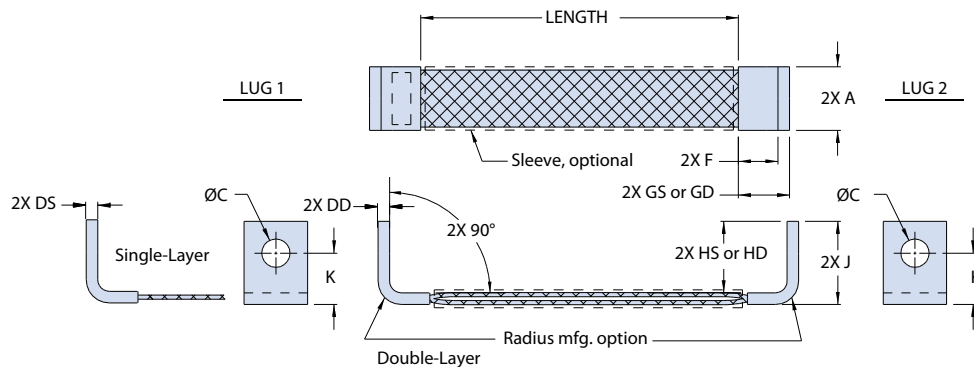
107-500 Stainless Steel Braid, M24749 Type IV style Single / Double Right-Angle Lugs

RA - RIGHT-ANGLE LUG DIMENSIONS



Size Code	A		B		DS		DD		E		F Ref.		GS Ref. (Single-Layer)		GD Ref. (Double-Layer)		HS Ref. (Single-Layer)		HD Ref. (Double-Layer)		J		K Ref.	
	In.	mm	In.	mm	In.	mm	In.	mm	In.	mm	In.	mm	In.	mm	In.	mm	In.	mm	In.	mm	In.	mm	In.	mm
125	.240	6.10	.313	7.95	.060	1.52	.075	1.91	.630	16.00	.375	9.53	.435	11.05	.450	11.43	.590	14.99	.580	14.73	.650	16.51	.500	12.70
203	.330	8.38	.313	7.95	.070	1.78	.090	2.29	.630	16.00	.375	9.53	.445	11.30	.465	11.81	.630	16.00	.610	15.49	.700	17.78	.500	12.70
250	.410	10.41	.375	9.53	.090	2.29	.120	3.05	.750	19.05	.375	9.53	.465	11.81	.495	12.57	.660	16.76	.630	16.00	.750	19.05	.500	12.70
437	.530	13.46	.375	9.53	.085	2.16	.110	2.79	.750	19.05	.375	9.53	.460	11.68	.485	12.32	.820	20.83	.790	20.07	.900	22.86	.625	15.88
500	.600	15.24	.425	10.80	.085	2.16	.110	2.79	.850	21.59	.375	9.53	.460	11.68	.485	12.32	.920	23.37	.890	22.61	1.000	25.40	.625	15.88
1000	.830	21.08	.550	13.97	.100	2.54	.130	3.30	1.100	27.94	.500	12.70	.600	15.24	.630	16.00	1.050	26.67	1.020	25.91	1.150	29.21	.750	19.05
1500	1.000	25.40	.625	15.88	.100	2.54	.130	3.30	1.250	31.75	.500	12.70	.600	15.24	.630	16.00	1.150	29.21	1.120	28.45	1.250	31.75	.750	19.05
2000	1.180	29.97	.700	17.78	.100	2.54	.130	3.30	1.400	35.56	.500	12.70	.600	15.24	.630	16.00	1.250	31.75	1.220	30.99	1.350	34.29	.750	19.05

DRU - DOUBLE RIGHT-ANGLE (UP-UP) LUGS DIMENSIONS

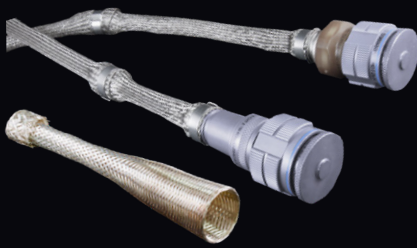


Size Code	A		DS		DD		F Ref.		GS Ref. (Single-Layer)		GD Ref. (Double-Layer)		HS Ref. (Single-Layer)		HD Ref. (Double-Layer)		J		K Ref.	
	In.	mm	In.	mm	In.	mm	In.	mm	In.	mm	In.	mm	In.	mm	In.	mm	In.	mm	In.	mm
125	.240	6.10	.060	1.52	.075	1.91	.375	9.53	.435	11.05	.450	11.43	.590	14.99	.580	14.73	.650	16.51	.500	12.70
203	.330	8.38	.070	1.78	.090	2.29	.375	9.53	.445	11.30	.465	11.81	.630	16.00	.610	15.49	.700	17.78	.500	12.70
250	.410	10.41	.090	2.29	.120	3.05	.375	9.53	.465	11.81	.495	12.57	.660	16.76	.630	16.00	.750	19.05	.500	12.70
437	.530	13.46	.085	2.16	.110	2.79	.375	9.53	.460	11.68	.485	12.32	.820	20.83	.790	20.07	.900	22.86	.625	15.88
500	.600	15.24	.085	2.16	.110	2.79	.375	9.53	.460	11.68	.485	12.32	.920	23.37	.890	22.61	1.000	25.40	.625	15.88
1000	.830	21.08	.100	2.54	.130	3.30	.500	12.70	.600	15.24	.630	16.00	1.050	26.67	1.020	25.91	1.150	29.21	.750	19.05
1500	1.000	25.40	.100	2.54	.130	3.30	.500	12.70	.600	15.24	.630	16.00	1.150	29.21	1.120	28.45	1.250	31.75	.750	19.05
2000	1.180	29.97	.100	2.54	.130	3.30	.500	12.70	.600	15.24	.630	16.00	1.250	31.75	1.220	30.99	1.350	34.29	.750	19.05

ARMORLITE™

AmberStrand®

LIGHTWEIGHT ARMORLITE™ (STAINLESS STEEL) AND AMBERSTRAND® (COMPOSITE) SHIELDING



Tubular AmberStrand® and ArmorLite™ lightweight metal-clad microfilament EMI/RFI braided shielding



Shield sock backshells with lightweight ArmorLite™ or AmberStrand® microfilament EMI/RFI braid

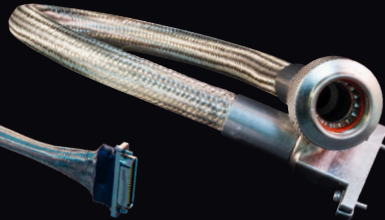


ArmorLite™ CF with enhanced corrosion resistance and temperature tolerance

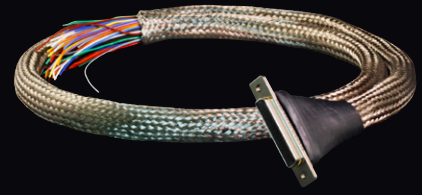
TURNKEY FACTORY OVERBRAIDING WITH LIGHTWEIGHT AND QQ-B-575B/A-A-59569 BRAID



Turnkey factory-overbraided multibranch cable assembly



Overbraided conduit assembly, ready for customer termination

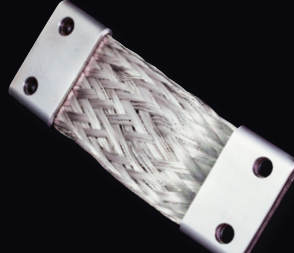


Factory-overbraided pigtail assembly

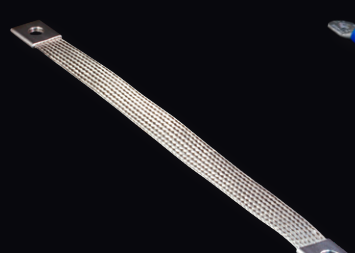
ARMORLITE™ AND METALLIC BRAID GROUND STRAPS



Lightweight ArmorLite™ microfilament ground straps



Heavy-duty metallic braid ground straps



MIL-DTL-24749 Type IV Qualified navy ground straps

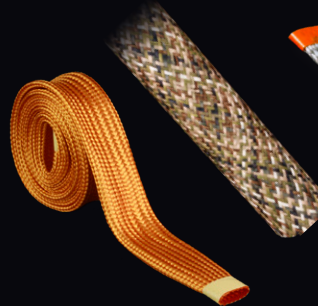


Round braid profile ground straps

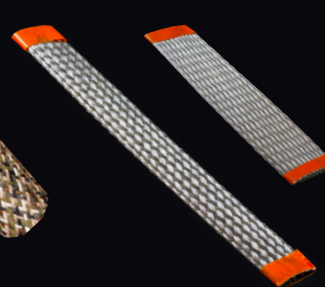
INDUSTRY-STANDARD TUBULAR FABRIC AND METAL BRAID



Tubular fabric braid for mechanical and abrasion protection of electrical wire interconnect systems



Wide range of colored Nomex® for abrasion protection and wire identification



QQ-B-575B/A-A-59569 metallic braid for EMI shielding




High-temperature fiberglass braid for engine applications

Conductive Tubular EMI/RFI Shielding



ArmorLite™ and conventional-duty expandable sleeving for EMI/RFI EWIS applications

Principal Selection Criteria	ARMORLITE Weight Reduction with Optimized Strength and Temperature Tolerance			AmberStrand® Weight Reduction	
Braid Part Number and Material Construction	 103-051 Microfilament ArmorLite™ 100% SS Nickel Plated	 103-052 Microfilament ArmorLite™ 75% SS/25% NiCu	 103-071 Microfilament ArmorLite™ 50% SS/50% NiCu	 103-026 Microfilament AmberStrand® 100% Nickel Plated	 103-027 Microfilament AmberStrand® 75% / 25% NiCu
RoHS Materials					
EMI Frequency Effectiveness Range	10 KHz to 1 GHz+	10 KHz to 1 GHz+	10 KHz to 1 GHz+	10 KHz to 1 GHz+	10 KHz to 1 GHz+
Temperature Range	+260°C	+200°C	+200°C	+220°C	+200°C
Pull Strength*	150 Lbs. minimum	125 Lbs. minimum	125 Lbs. minimum	150 Lbs. minimum	125 Lbs. minimum
Corrosion Resistance Rating	500 Hours Salt Spray	500 Hours Salt Spray	500 Hours Salt Spray	500 Hours Salt Spray	500 Hours Salt Spray
Abrasion Resistance	Good	Good	Good	Good	Good
Material Specification	ASTM A580	ASTM A580/ ASTM B355	ASTM A580/ ASTM B355	ZYLON AS	ZYLON AS ASTM B355

* Values are based on .500 Dia. Braid

General-Duty				High Temperature plus Corrosion Resistance
				
100-001	100-002	100-003	100-005	100-004
Soft Drawn Tin Plated Copper	Soft Drawn Silver Plated Copper	Soft Drawn Nickel Plated Copper	Soft Drawn Tin Plated Copper-Clad Steel	Soft Drawn Stainless Steel
				
10 KHz to 1 GHz+	10 KHz to 1 GHz+	10 KHz to 1 GHz+	Good (H Field) Poor (E Field)	Good (H Field) Poor (E Field)
+150°	+200°	+200°	+175°	+260°
125 Lbs.	125 Lbs.	125 Lbs.	175 Lbs.	225 Lbs.
48 Hours Salt Spray	48 Hours Salt Spray	500 Hours Salt Spray	96 Hours Salt Spray	1000 Hours Salt Spray
Good	Fair	Good	Good	Very Good
ASTM B33	ASTM B298	ASTM B355	ASTM B520	QQ-W-423/ ASTM A580



MISSION-CRITICAL INTERCONNECT SOLUTIONS

Glenair, Inc.

1211 Air Way • Glendale, California • 91201-2497
Telephone: 818-247-6000 • Fax: 818-500-9912 • sales@glenair.com
www.glenair.com

Glenair East
20 Sterling Drive
Wallingford, CT
06492

Telephone:
203-741-1115
Facsimile:
203-741-0053
sales@glenair.com

Glenair UK Ltd
40 Lower Oakham Way
Oakham Business Park
Mansfield, Notts
NG18 5BY England

Telephone:
+44-1623-638100
Facsimile:
+44-1623-638111
sales@glenair.co.uk

Glenair Microway Systems
7000 North Lawndale Avenue
Lincolnwood, IL
60712

Telephone:
847-679-8833
Facsimile:
847-679-8849

Glenair Nordic AB
Gustav III : S Boulevard 42
SE-169 27 Solna
Sweden

Telephone:
+46-8-50550000
sales@glenair.se

Glenair GmbH
Schaberweg 28
61348 Bad Homburg
Germany

Telephone:
06172 / 68 16 0
Facsimile:
06172 / 68 16 90
info@glenair.de

Glenair Iberica
C/ La Vega, 16
45612 Velada
Spain

Telephone:
+34-925-89-29-88
Facsimile:
+34-925-89-29-87
sales@glenair.es

Glenair Italia S.p.A.
Via Del Lavoro, 7
40057 Quarto Inferiore –
Granarolo dell'Emilia
Bologna, Italy

Telephone:
+39-051-782811
Facsimile:
+39-051-782259
info@glenair.it

Glenair France SARL
7, Avenue Parmentier
Immeuble Central Parc #2
31200 Toulouse
France

Telephone:
+33-5-34-40-97-40
Facsimile:
+33-5-61-47-86-10
sales@glenair.fr

Glenair Korea
6-21 Tapsil-ro 58beon-gil
Giheung-gu, Yongin-si
Gyeonggi-do
Republic of Korea

Telephone:
+82-07-5067-2437
Facsimile:
+82-504-375-4549
sales@glenair.kr

