

# SERIES 77

# Autoshrink™ D Cold-Action Shrink Boots and Tubing



## 777-024 Shielded, Straight Wall Tubing with Ground Strap



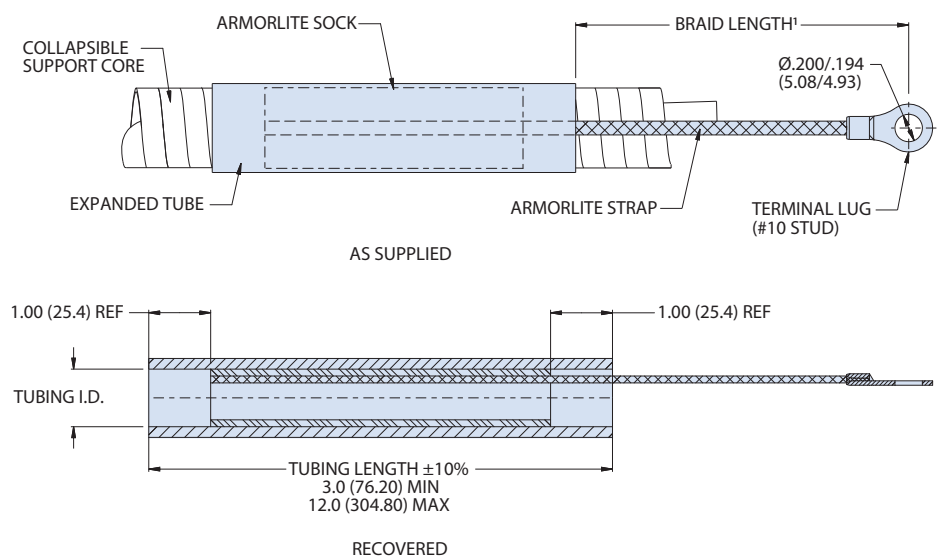
Straight wall tubing with integral ground strap provides a fast and durable repair or upgrade solution for grounding shielded wires to a common ground or airframe. Autoshrink™ D Tubing is RoHS compliant, halogen free, and highly resistant to sunlight and ozone damage. Boots are water-tight when installed with 779-005 adhesive. Service temperature range is -65°C to 225°C. Choose tube based on wire bundle diameter. 10 colors available.

How to Order	
<b>Sample Part Number</b>	<b>777 -024 A 0375 -3 -6 -0</b>
<b>Product Series</b>	777 = Autoshrink™
<b>Basic Part Number</b>	-024 = Shielded tubing, Autoshrink™ D, with ground strap
<b>Braid Material/Finish</b>	A = ArmorLite™
<b>Size Code</b>	See dimensions table
<b>Tubing Length</b>	Dimension in one inch increments; 12 inches maximum
<b>Braid Length</b>	Dimension in one inch increments; no maximum
<b>Color Code</b>	See color table

### NOTES

1. Length tolerance of braid is  $\pm .250$  for lengths up to 24 inches and  $\pm 1\%$  for lengths greater than 24 inches
2. ArmorLite strap and sock are joined by solder SN63
3. Length in expanded form may be less than length after unrestricted shrinkage
4. Material:
  - Tubing: Duraelectric™ D, .062 wall thickness
  - Braid: ArmorLite™
  - Lug: copper/nickel plate per QQ-N-290

Color Code	
Code	Color
0	Black
1	Brown
2	Red
3	Orange
4	Yellow
5	Green
6	Blue
7	Violet
8	Gray
9	White



Dimensions					
Size Code	Tube I.D. After (Recovered) Ref	As Supplied Core I.D. /Ref	Wire Bundle Range Ref		Armorlite™ Braid
			Min	Max	
0250	.250 (6.4)	.80 (20.3)	.35 (8.9)	.65 (16.5)	103-051-008
0375	.375 (9.5)	1.18 (30.0)	.55 (14.0)	1.00 (25.4)	103-051-012
0625	.625 (15.9)	2.00 (50.8)	.85 (21.6)	1.65 (41.9)	103-051-020