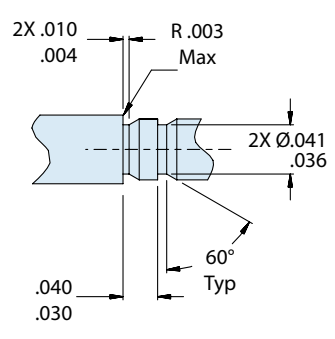
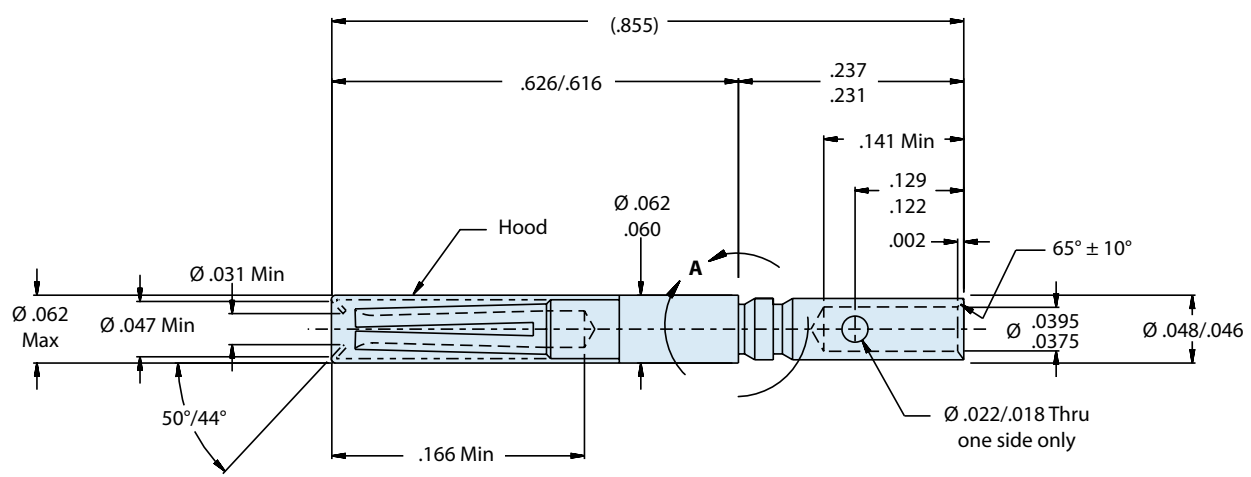




850-018-22
M39029/56-348 Type
Size 22 Socket Contact with Expanded Wire Accommodation



Mating End Size	Glenair Part Number
22	850-018-22



DETAIL A

Material and Finish
 Contact Body: Copper alloy, plated with 50 microinches gold per ASTM B488 Type II code C over 50–100 microinches nickel IAW SAE AMS-QQ-N-290, class II
 Hood: 305 CRES, passivated

Notes
 May be used with up to 20AWG wire

D