

SMALL DIAMETER, LIGHTWEIGHT INSULATION EXCELLENT SOLDERABILITY

How To Order

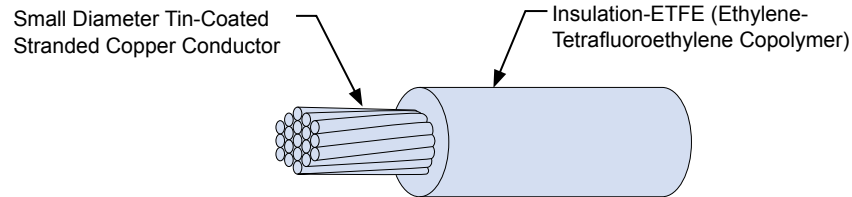
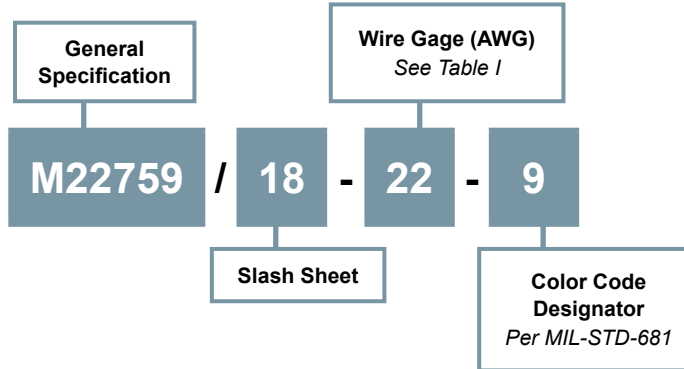


Table I

Part Number	Wire Size (AWG)	Stranding (Number of strands x AWG gage of strands)	Diameter of stranded conductor (inches)		Finished Wire		
			min	max	Resistance at 20° C (68° F) (Ohms/1000 ft) max	Diameter (inches)	Weight (lbs/1000 ft) max
M22759/18-26-*	26	19 x 38	.018	.020	41.3	.032 ± .002	1.52
M22759/18-24-*	24	19 x 36	.023	.024	26.2	.036 ± .002	2.12
M22759/18-22-*	22	19 x 34	.029	.031	16.2	.043 ± .002	3.16
M22759/18-20-*	20	19 x 32	.037	.039	9.88	.051 ± .002	4.76
M22759/18-18-*	18	19 x 30	.046	.049	6.23	.061 ± .002	7.10
M22759/18-16-*	16	19 x 29	.052	.055	4.81	.070 ± .002	9.14
M22759/18-14-*	14	19 x 27	.065	.069	3.06	.085 ± .002	14.1
M22759/18-12-*	12	19 x 25	.084	.089	2.02	.107 ± .003	21.8
M22759/18-10-*	10	37 x 26	.106	.112	1.26	.134 ± .003	34.1

M22759/18
Tin Coated Copper Wire
with Thin-Wall Extruded ETFE Insulation



Mil-Spec

B

Table II: Test Data	
Temperature Rating	150° C (302° F) max conductor temperature
Voltage Rating	600 volts (rms) at sea level
Short Term Thermal Stability	7 hours at 230 ± 2° C (446 ± 3.6° F). Quality conformance test, group II; test procedures and requirements as in life cycle test except for time and temperature of oven exposure.
Spark Test of Primary Insulation	not required
Impulse Dielectric Test	100% test, 8.0 kilovolts (peak)
Insulation Resistance, Initial	26 AWG through 20 AWG: 5,000 megohms for 1000 ft (min) 18 AWG through 14: 3,000 megohms for 1000 ft (min) 12 AWG through 10: 2,000 megohms for 1000 ft (min)
Wrap Test	"wrap back" test required, no cracking. Oven temperature: 200 ± 2° C (392 ± 3.6° F)
Blocking	200 ± 2° C (392 ± 3.6° F)
Shrinkage	0.125 inch max at 200 ± 2° C (392 ± 3.6° F)
Wicking	no requirement
Low Temperature (Cold Bend)	bend temperature: -65° ± 2° C (-85 ± 3.6° F) dielectric test: 2,200 volts (rms), 60 Hz
Thermal Shock	oven temperature: 150 ± 2° C (302 ± 3.6° F) max change in measurement: 26 AWG through 12 AWG: 0.060 inch 10 AWG: 0.100 inch
Flammability	vertical flame test; 2 seconds (max) after-flame, 5.50 in (max) burn length. Post-flame dielectric test not required.
Life Cycle	oven temperature 200 ± 2° C (392 ± 3.6° F) dielectric test: 2,200 volts (rms), 60 Hz
Dielectric Test After Immersion	2,200 volts (rms), 60 Hz
Acid Resistance	no requirement
Conductor Strand Adhesion Requirements	shall be in accordance with 3.6.11 of MIL-W-22759
Abrasion Resistance After Immersion	no requirement
Humidity Resistance	after humidity exposure, wire shall meet the requirements for initial insulation resistance.
Surface Resistance	26 AWG through 12 AWG: 500 megohm-inches (min) initial and final readings 10 AWG: no requirement
Smoke	200° C (392° F)
Color	in accordance with MIL-STD-104, class 1; white preferred
Color Striping or Banding Durability	125 cycles (250 strokes) minimum, 500 grams weight
Identification of Product	Required. Shall be ink printing only.
Identification Durability	125 cycles (250 strokes) minimum, 500 grams weight
Wire Length Requirements	schedule A

Notes

Cable identified with manufacturer's name and part number.
 Cable is sold in 1 foot increments. Specify desired length on purchase order.