



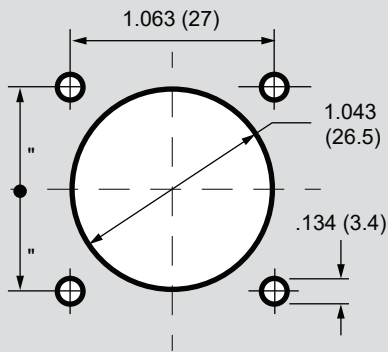
# RJ45 ETHERNET, USB, HDMI, AND DISPLAY PORT Introduction and Technical Reference



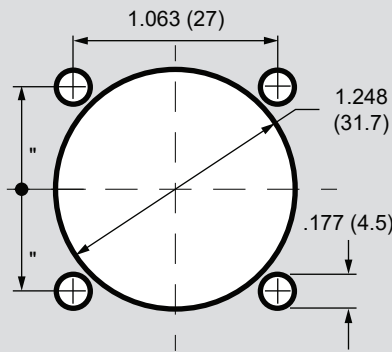
## Recommended panel cutouts for Glenair Series ITS (5015 intermountable) connectors

### GLENAIR SERIES ITS (MIL-DTL-5015) RJ45 PANEL CUTOUTS FOR SHELL SIZE 18

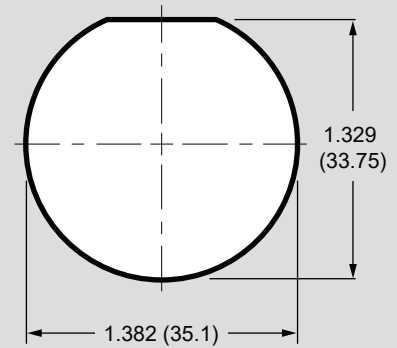
**A**



SQUARE FLANGE  
FRONT PANEL MOUNTING

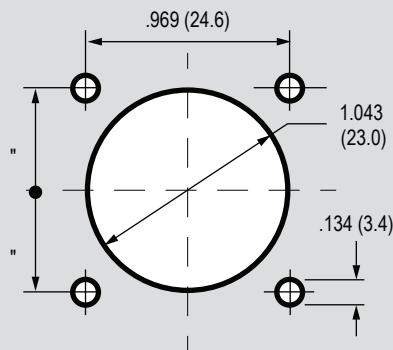


SQUARE FLANGE  
REAR PANEL MOUNTING

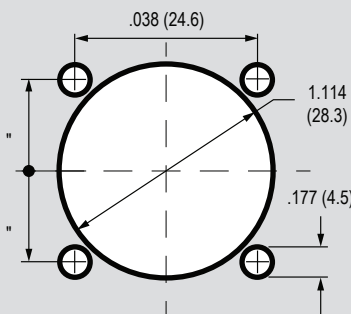


JAM NUT MOUNT

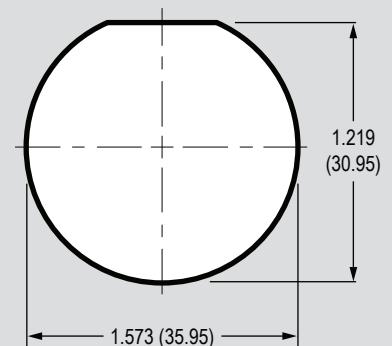
### GLENAIR SERIES ITS (MIL-DTL-5015) USB PANEL CUTOUTS FOR SHELL SIZE 16



SQUARE FLANGE  
FRONT PANEL MOUNT



SQUARE FLANGE  
REAR PANEL MOUNT



JAM NUT MOUNT