



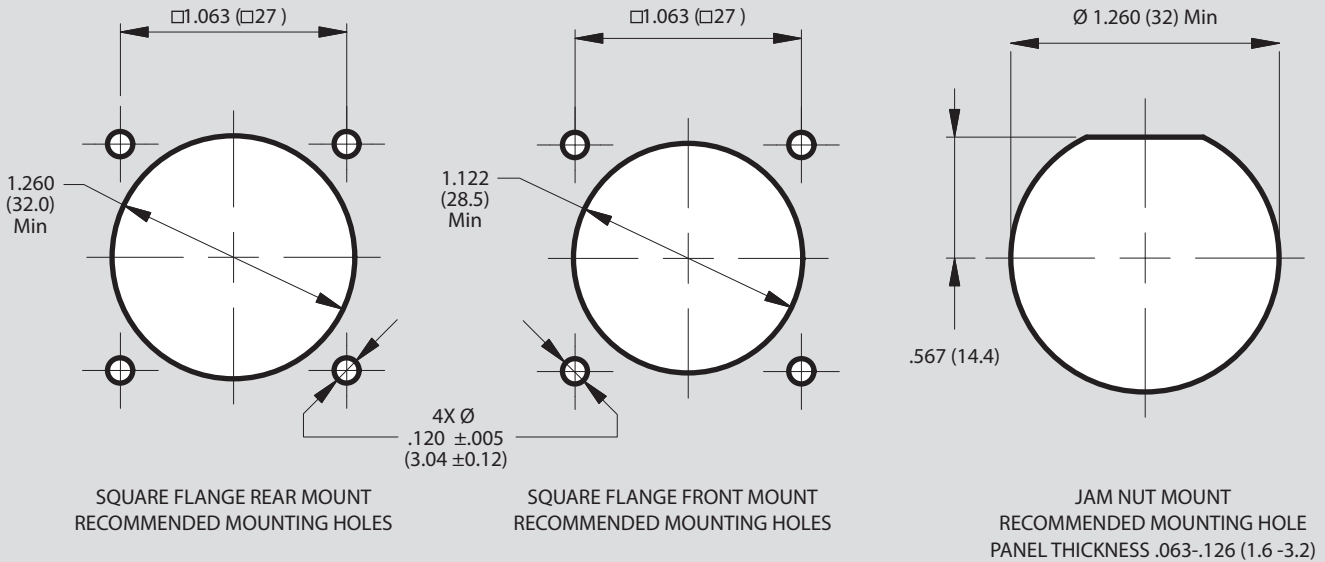
RJ45 ETHERNET, USB, HDMI, AND DISPLAY PORT Introduction and Technical Reference



Recommended panel cutouts for Glenair Series IPT (MIL-DTL-26482 type) connectors

A

GLENAIR SERIES IPT (MIL-DTL-26482 TYPE) RJ45 PANEL CUTOUTS FOR SHELL SIZE 18



GLENAIR SERIES IPT (MIL-DTL-26482 TYPE) USB PANEL CUTOUTS FOR SHELL SIZE 16

