

How to Order							
<b>Part Number Example</b>	<b>900-320</b>	<b>NF</b>	<b>D0</b>	<b>-</b>	<b>17</b>	<b>1</b>	<b>1</b>
<b>Basic Number</b>	<b>900-320</b>						
<b>Material/Finish</b>	See Material and Finish Options Table						
<b>Connector Style</b>	<b>D0</b> = Receptacle, Wall Mount <b>05</b> = Receptacle, Inline <b>07</b> = Receptacle, Jam Nut <b>G6</b> = Plug						
<b>Shielding</b>	- = Inline Shielded RJ45 <b>G</b> = Inline Shielded and Grounded to Shell (See Note 2)						
<b>Shell Size</b>	<b>15</b> or <b>17</b>						
<b>Alternate Polarization</b>	<b>1, 2, 3, 4, 5, 6</b> See Section A for details (Per MIL-DTL-28840)						
<b>RJ12 Orientation Option</b>	<b>1, 2, 3, 4</b> (See below for options)						

### NOTES

1. Receptacle connector meets IP67 requirements in the unmated condition and plug meets IP68 requirements in the mated condition, consult factory for details.
2. "G" option only with receptacle.
3. Connector accessory features per M28840 connector designator G. Consult factory for accessory selection.

### SPECIFICATIONS

- RJ12 coupler maintains shield continuity
- Wiring: straight through
- RoHS compliant
- Electrical: current rating: 1.5 Amp
- D.W.V.: 1000 VDC (700 VAC)
- Operating temperature: -40°C to +125°C

Wall Mount & Inline						
Shell Size	A Thread	B Sq	C Bsc	D Thread	E	ØF
15	1.062-.1P-.2L-DS-2A	1.278 (32.46) 1.238 (31.45)	.968 (24.59)	1.000-20 UNEF 2A	1.080 (27.43) 1.070 (27.18)	1.275 (32.39) 1.255 (31.88)
17	1.125-.1P-.2L-DS-2A	1.403 (35.64) 1.363 (34.62)	1.015 (25.78)	1.125-18 UNEF 2A	1.143 (29.03) 1.133 (28.78)	1.338 (33.99) 1.318 (33.48)

Jam Nut Mount & Plug					
Shell Size	ØG	H	J Flat	K Thread	ØL Max
15	1.681 (42.70) 1.661 (42.19)	1.587 (40.31) 1.567 (39.80)	1.153 (29.29) 1.144 (29.06)	1.1875-18 UNEF 2A	1.263 (32.08)
17	1.743 (44.27) 1.723 (43.76)	1.649 (41.88) 1.629 (41.38)	1.216 (30.89) 1.207 (30.66)	1.250-18 UNEF 2A	1.387 (35.23)

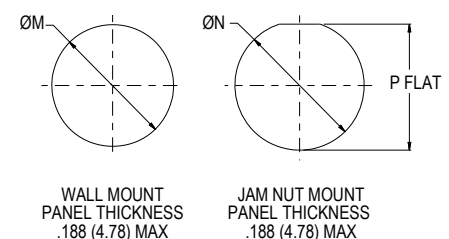
Material and Finish Options		
Code	Material	Finish Description
<b>NF</b>	Aluminum	Cadmium O. D. Over Electroless Nickel (500 hour Salt Spray)
<b>ZN</b>		Zinc Nickel, Olive Drab
<b>MT</b>		Nickel-PTFE, 1000 Hour Grey™
<b>Z1</b>	Stainless Steel	Passivate
<b>ZU</b>		Black Cadmium Over Nickel
<b>AB</b>	Marine Bronze	None (Clean Only)

Wiring Diagram*			
Pin	Modern Color Code (UTP)	Old Color Code	Destination
1	white/green	white	T3 (Tip 3)
2	white/orange	black	T2 (Tip 2)
3	blue/white	red	R1 (Ring 1)
4	white/blue	green	T1 (Tip 1)
5	orange/white	orange	R2 (Ring 2)
6	green/white	blue	R3 (Ring 3)

- Pair 1 = Primary dial tone or talk circuit on a single line
- Pair 2 = Secondary dial tone on a two line or data control circuit for an electronic key phone
- Pair 3 = Third dial tone on a three line or an accessory circuit for an electronic key phone

\*Wiring Diagram based on industry standard USOC-6

Recommended Panel Cutouts			
Shell Size	ØM	ØN	P Flat
15	1.124 (28.55)	1.203 (30.56) 1.193 (30.30)	1.165 (29.59) 1.155 (29.34)
17	1.187 (30.15)	1.265 (32.13) 1.255 (31.88)	1.228 (31.19) 1.218 (30.94)



### RJ12 JACK ORIENTATION OPTIONS

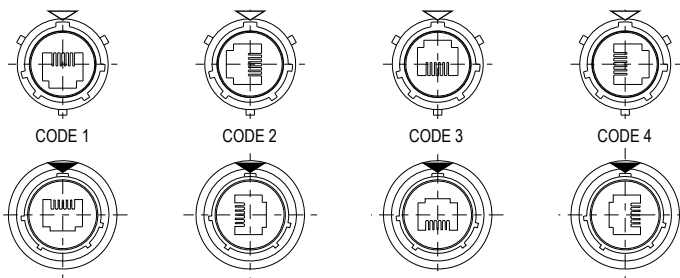
▽ = KEYWAY

RJ12 JACK ORIENTATION OPTIONS

(Partial Front Views Shown)

▼ = KEY

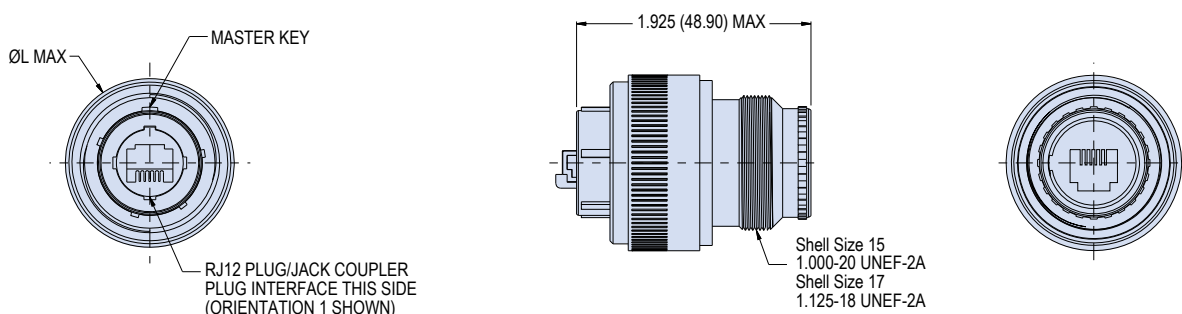
RJ12 PLUG ORIENTATION OPTIONS



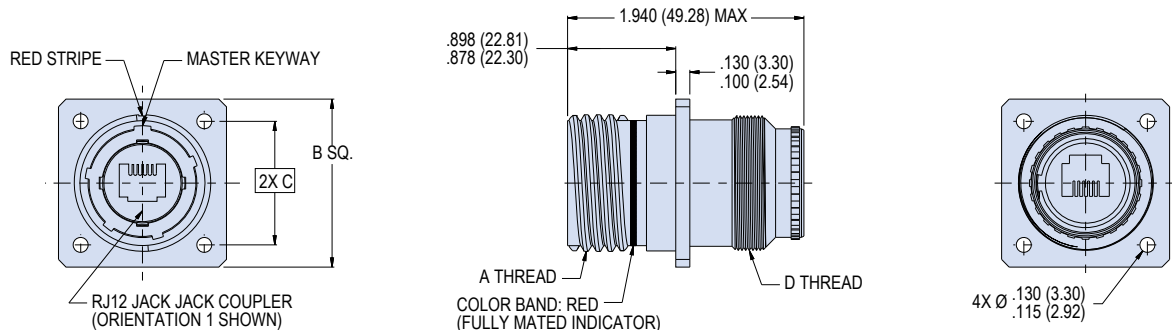
RJ12  
**28840 SuperSea™**  
 900-320 RJ12 Coupler Connector



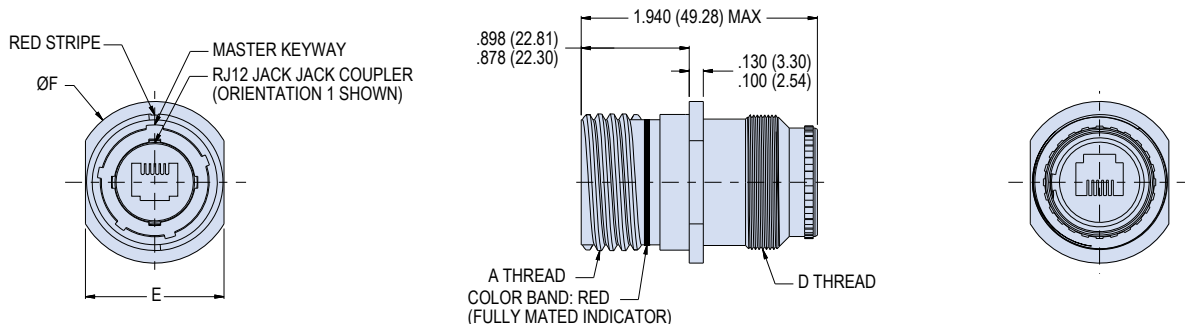
**G6 - PLUG (SEE JAM NUT MOUNT AND PLUG TABLE)**



**D0 - WALL MOUNT RECEPTACLE (SEE WALL MOUNT AND INLINE TABLE)**



**05 - RECEPTACLE, INLINE (SEE WALL MOUNT AND INLINE TABLE)**



**07 - JAM NUT MOUNT RECEPTACLE (SEE JAM NUT MOUNT AND PLUG TABLE)**

