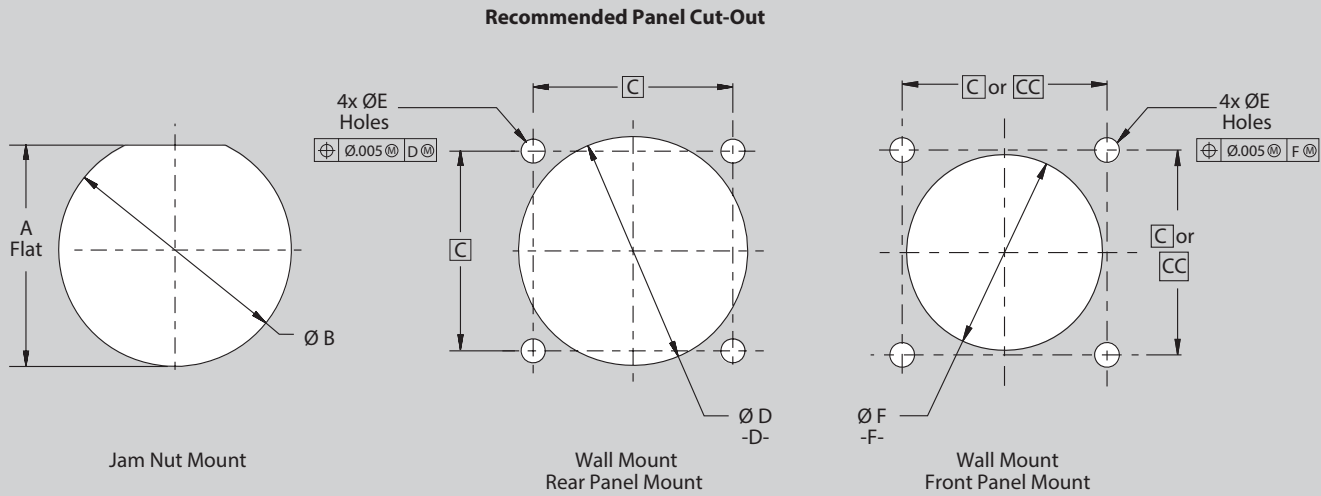


# MIL-DTL-38999 Series III Type

## Recommended panel cut-out dimensions

REFERENCE MATERIAL

### RECOMMENDED PANEL CUT-OUT



| Panel Cut-Out Dimensions |            |               |               |               |               |               |                            |               |
|--------------------------|------------|---------------|---------------|---------------|---------------|---------------|----------------------------|---------------|
| Shell Size Code          | Shell Size | Jam Nut Mount |               | Wall Mount    |               |               |                            |               |
|                          |            | A Flat        | B Dia         | C BSC         | CC BSC        | D Dia Min     | E Dia Flange Holes         | F Dia Min     |
| A                        | 9          | .661 (16.79)  | .703 (17.58)  | .719 (18.26)  | .594 (15.09)  | .656 (16.66)  | .133 (3.38)<br>.123 (3.12) | .516 (13.12)  |
|                          |            | .654 (16.61)  | .693 (17.60)  |               |               |               |                            |               |
| B                        | 11         | .771 (19.58)  | .835 (21.21)  | .812 (20.62)  | .719 (18.26)  | .796 (20.22)  |                            | .750 (19.05)  |
|                          |            | .761 (19.33)  | .825 (20.96)  |               |               |               |                            |               |
| C                        | 13         | .955 (24.26)  | 1.020 (25.91) | .906 (23.01)  | .812 (20.62)  | .922 (23.42)  |                            | .906 (23.01)  |
|                          |            | .945 (24.00)  | 1.010 (25.65) |               |               |               |                            |               |
| D                        | 15         | 1.085 (27.56) | 1.145 (29.08) | .969 (24.61)  | .906 (23.01)  | 1.047 (26.59) |                            | 1.016 (25.81) |
|                          |            | 1.075 (27.31) | 1.135 (28.83) |               |               |               |                            |               |
| E                        | 17         | 1.210 (30.73) | 1.270 (32.26) | 1.062 (26.97) | .969 (24.61)  | 1.219 (30.96) | 1.141 (28.98)              |               |
|                          |            | 1.200 (30.48) | 1.260 (32.00) |               |               |               |                            |               |
| F                        | 19         | 1.335 (33.91) | 1.395 (35.43) | 1.156 (29.36) | 1.062 (26.97) | 1.297 (32.94) | 1.266 (32.16)              |               |
|                          |            | 1.325 (33.66) | 1.385 (35.18) |               |               |               |                            |               |
| G                        | 21         | 1.460 (37.08) | 1.520 (38.61) | 1.250 (31.75) | 1.156 (29.36) | 1.422 (36.12) | 1.375 (34.93)              |               |
|                          |            | 1.450 (36.83) | 1.510 (38.35) |               |               |               |                            |               |
| H                        | 23         | 1.585 (40.26) | 1.645 (41.78) | 1.375 (34.93) | 1.250 (31.75) | 1.547 (39.29) | 1.484 (37.69)              |               |
|                          |            | 1.575 (40.01) | 1.635 (41.53) |               |               |               |                            |               |
| J                        | 25         | 1.710 (43.43) | 1.770 (44.96) | 1.500 (38.10) | 1.375 (34.92) | 1.672 (42.47) | .155 (3.94)<br>.145 (3.68) |               |
|                          |            | 1.700 (43.18) | 1.760 (44.70) |               |               |               |                            |               |

### RECOMMENDED PANEL THICKNESS FOR 233-205, 233-206, AND 233-207 THRU 233-211

**For All Jam-Nuts:**

Shell Size 9 Thru 25: .126/.062 (3.20/ 1.57)

**Square Flange (233-205 and 233-206):**

Shell Size 9 Thru 19: .228 (5.79)

Shell Size 21 Thru 25: .197 (5.00)

**Square Flange 233-207 To 233-211**

Front Panel Mount Shell Size 9 Thru 19: .228 (5.80)

Front Panel Mount Shell Size 21 Thru 25: .197 (5.00)

Rear Panel Mount Shell Size 9 Thru 19: .338 (8.59)

Rear Panel Mount Shell Size 21 Thru 25: .307 (7.80)