

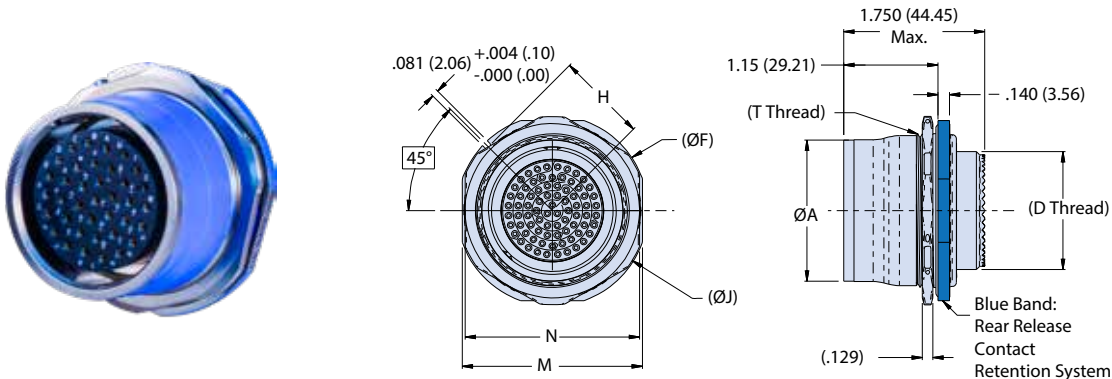
## MIL-DTL-38999 Series III Type space-grade blind-mate 253-019 jam-nut receptacle, mates with 253-018 BFT

ENVIRONMENTAL CONNECTORS

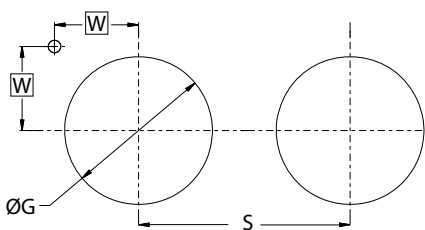
| Part Number Development        |   |  |  |     |    |       |   |   |  |
|--------------------------------|---|--|--|-----|----|-------|---|---|--|
| Sample Part Number             | 253-019   |  |  | -07 | ME | 25-35 | S | N |  |
| Series / Basic Part No.        | 253-019 = Blind-mate receptacle for use with 253-018 & 253-053-07 bulkhead feed-thru  |  |  |     |    |       |   |   |  |
| Connector Mounting             | 07 = Jam-nut mount (float mount), receptacle<br>007 = Jam-nut mount (float mount), receptacle; reverse silkscreen marking   |  |  |     |    |       |   |   |  |
| Material/Finish                | ME = Aluminum, electroless nickel    ZL = CRES, electrodeposited nickel<br>MT = Aluminum, nickel PTFE        Z1 = CRES, passivated  |  |  |     |    |       |   |   |  |
| Shell Size-Insert Arrangement* | Per MIL-STD-1560; symmetrical layouts only, consult factory for complete details  |  |  |     |    |       |   |   |  |
| Contact Type                   | S = Socket, crimp removable    P = Pin, crimp removable   |  |  |     |    |       |   |   |  |
| Alternate Polarization*        | A = 40°, B = 65°, C = 80°, D = 210°, E = 250°, F = 280°, G = 310°, H = 330°, N = 135° (Normal) Per L°. G6 only<br>Refers to blind mate side. Plug/Receptacle side per MIL-DTL-38999 |  |  |     |    |       |   |   |  |

\*Refer to section A for complete details. Refer to Space-Grade Guidelines material (IAW NASA EEE INST-002) for outgassing and screening modification codes, on pages 60 and 61. Modification codes may be added directly to the end of any valid part number

### 253-019 FLOATING JAM-NUT MOUNT RECEPTACLE WITH MISALIGNMENT ACCOMMODATION AND OPTIONAL SEALING: MATES WITH 253-018 BULKHEAD FEED-THRU



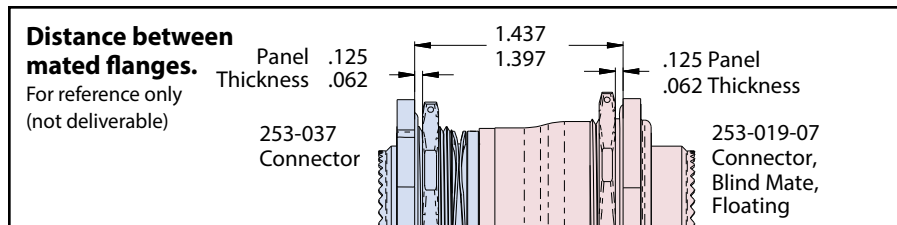
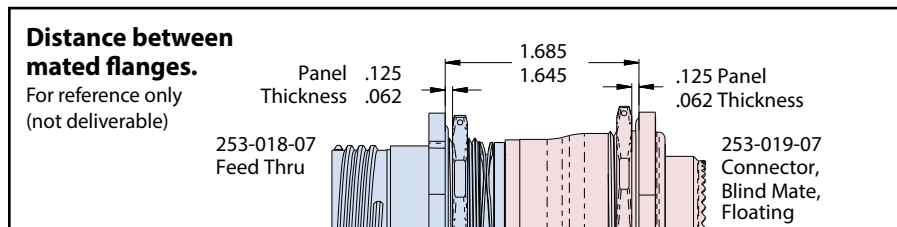
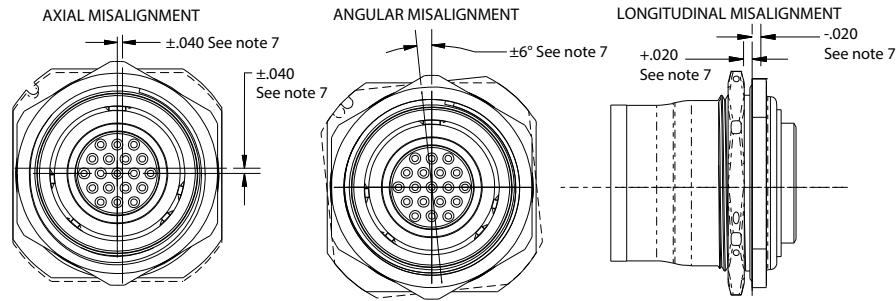
| Dimensions for 253-019-07 Jam Nut Receptacle |               |  |                |                                 |                                 |                      |                      |                     |
|--|---------------|--|----------------|---------------------------------|---------------------------------|----------------------|----------------------|---------------------|
| Shell Size                                   | F Flange      | H (End of Slot)<br>0.0/-0.008(0.0/-0.20) | Ø J<br>Jam Nut | N, Jam Nut Flat<br>±.010 (±.25) | M, Flange Flats<br>±.010 (±.25) | T Thread<br>Class 2A | D Thread<br>Class 2A | Ø A<br>±.010 (±.25) |
| 13   | 1.640 (41.66) | 0.729 (18.52)                            | 1.500 (38.10)  | 1.300 (33.02)                   | 1.390 (35.31)                   | 1.125-18 UNEF        | .6875-24             | .970 (24.64)        |
| 15   | 1.750 (44.45) | 0.791 (20.09)                            | 1.625 (41.28)  | 1.450 (36.83)                   | 1.515 (38.48)                   | 1.250-18 UNEF        | .8125-20             | 1.105 (28.07)       |
| 21   | 2.180 (55.37) | 1.017 (25.83)                            | 2.063 (52.40)  | 1.875 (47.63)                   | 1.955 (49.66)                   | 1.625-18 UNEF        | 1.1875-18            | 1.475 (37.47)       |
| 23   | 2.315 (58.80) | 1.076 (27.33)                            | 2.141 (54.38)  | 2.010 (51.05)                   | 2.080 (52.83)                   | 1.750-18 UNS         | 1.3125-18            | 1.595 (40.51)       |
| 25   | 2.330 (59.18) | 1.100 (27.94)                            | 2.300 (58.42)  | 2.125 (53.98)                   | 2.195 (55.75)                   | 1.875-16 UN          | 1.4375-18            | 1.720 (43.69)       |



| Table IV 253-019-07 Panel Cut-Out |                      |              |
|-----------------------------------|----------------------|--------------|
| Shell Size                        | Ø G, Thru-Hole ±.004 | W (Basic)    |
| 13                                | 1.134 (28.80)        | .549 (13.94) |
| 15                                | 1.259 (31.98)        | .593 (15.06) |
| 21                                | 1.634 (41.50)        | .753 (19.13) |
| 23                                | 1.759 (44.68)        | .797 (20.24) |
| 25                                | 1.884 (47.85)        | .810 (20.57) |

**MIL-DTL-38999 Series III Type space-grade blind-mate 253-019 jam-nut receptacle, mates with 253-018 BFT**

**253-019 Misalignment Capabilities**



**NOTES:**

- Connector mates with Glenair 253-018 and 253-037 fixed series connectors having same insert arrangement and polarization.
- Distance between mated mounting flanges as shown. Consult manufacturer if other distance between mated mounting flanges is required.
- Misalignment capability as shown.
- See Space-Grade guidelines material, in this section, for outgassing/screening options available
- Stainless steel locating pin ( $\varnothing.079$ ) shipped with each connector
- Contact factory for PC tail versions.
- Dimensions and features are intended for customer use only.
- Dimensions are reference only and not measured during final inspection at factory.
- Connector style 007, jam nut mount with reverse silkscreen marking is used when mating to 253-018 feed-thru connector that is contact type PP (pin on both sides) or SS (socket on both sides).
- Material/finish
  - Shell, jam-nut: see part number development, finish
  - Spring: CRES/passivated
  - Insulators: high grade rigid dielectric/N.A.
  - Seals: fluorosilicone blend, silicone
  - Contacts: copper alloy/gold plated