

# SuperNine® Backshells and accessories

## MIL-DTL-38999 Series III Type



### 871H004 Swing-Arm Flex Clamp, EMI Banding Adapter, Composite

BACKSHELLS AND ACCESSORIES

**Self-Locking**



*Shielded, self-locking, adjustable arms.* 871H004 Swing-Arm Flex Clamp fits MIL-DTL-38999 Series III and IV connectors. Adjustable arms pivot to 0°, 45° or 90° positions. Includes EMI banding adapter with optional "T" slots for pigtailed individual shields. Terminate shield braid to adapter with optional Band-Master ATS® pre-coiled banding strap. Coupling nut has anti-decoupling mechanism for audible detented coupling and prevents backoff under high vibration.

**Adapter Code H**

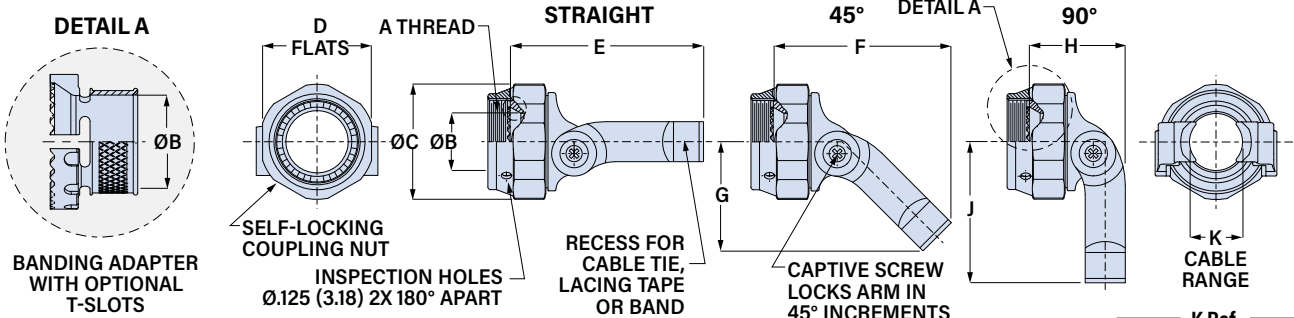
This accessory fits these connectors:  
MIL-DTL-38999 Series III and Series IV

**FIGURE 1**  
FINISH CODES *NFS, BNS*

**FIGURE 2**  
BANDING ADAPTER SLOTS

**PART NUMBER**

		<b>871H004</b>	<b>M</b>	<b>23</b>	<b>S</b>	<b>K</b>				
<b>Base P/N</b>	<b>871H004</b>									
<b>Banding Adapter Material/Finish</b>	<b>M</b>	Alum/Electroless Nickel								
	<b>NF</b>	Alum/Olive Drab Cadmium								
	<b>NFS</b>	Alum/O.D. Cadmium, selective (fig. 1)								
	<b>MT</b>	Alum/Nickel-PTFE								
	<b>TZ</b>	Alum/Tin-Zinc								
	<b>BM</b>	Brass/Electroless Nickel								
	<b>BN</b>	Brass/Olive Drab Cadmium								
	<b>BNS</b>	Brass/O.D. Cadmium, selective (fig. 1)								
	<b>BMT</b>	Brass/Nickel-PTFE								
<b>Shell Size</b>	Shell Size	9	11	13	15	17	19	21	23	25
	Size Code	<b>09</b>	<b>11</b>	<b>13</b>	<b>15</b>	<b>17</b>	<b>19</b>	<b>21</b>	<b>23</b>	<b>25</b>
<b>Banding Adapter Slots</b>	Omit if not required. See Figure 2									
	<b>S</b>	"T" Slots in Banding Adapter for Shield Pigtails								
<b>Band</b>	Omit if not required.									
	<b>K</b>	Pre-Coiled Micro Band included With Clamp								
	<b>J</b>	Pre-Coiled Slim Micro Band included With Clamp								



Shell Size	A Thread	ø B Min		ø C Max		D Flats		E Max		F Max		G Max		H Max		J Max		K Ref.			
		in	mm	in	mm	in	mm	in	mm	in	mm	in	mm	in	mm	in	mm	in	mm		
9 (A)	M12X1.0-6H	.178	4.5	.812	20.6	.750	19.1	1.79	45.5	1.57	39.9	.87	22.1	.96	24.4	1.12	28.4	.393	10.0	.098	2.5
11 (B)	M15X1.0-6H	.305	7.8	.938	23.8	.875	22.2	1.80	45.7	1.57	39.9	.89	22.6	.96	24.4	1.15	29.2	.455	11.6	.121	3.1
13 (C)	M18X1.0-6H	.404	10.3	1.125	28.6	1.000	25.4	2.08	52.8	1.88	47.8	1.10	27.9	1.05	26.7	1.44	36.6	.598	15.2	.157	4.0
15 (D)	M22X1.0-6H	.565	14.4	1.250	31.8	1.125	28.6	2.08	52.8	1.88	47.8	1.16	29.5	1.32	33.5	1.50	38.1	.710	18.0	.210	5.3
17 (E)	M25X1.0-6H	.658	16.7	1.375	34.9	1.250	31.8	2.29	58.2	2.13	54.1	1.28	32.5	1.21	30.7	1.68	42.7	.839	21.3	.246	6.2
19 (F)	M28X1.0-6H	.777	19.7	1.500	38.1	1.375	34.9	2.28	57.9	2.13	54.1	1.35	34.3	1.21	30.7	1.81	46.0	.934	23.7	.277	7.0
21 (G)	M31X1.0-6H	.877	22.3	1.625	41.3	1.500	38.1	2.75	69.9	2.54	64.5	1.63	41.4	1.37	34.8	2.12	53.8	1.068	27.1	.313	8.0
23 (H)	M34X1.0-6H	.999	25.4	1.750	44.5	1.625	41.3	2.75	69.9	2.54	64.5	1.67	42.4	1.37	34.8	2.16	54.9	1.197	30.4	.349	8.9
25 (J)	M37X1.0-6H	1.127	28.6	1.875	47.6	1.750	44.5	2.96	75.2	2.75	69.9	1.84	46.7	1.46	37.1	2.41	61.2	1.323	33.6	.380	9.7

ADVANCED PERFORMANCE

# SuperNine® Backshells and accessories

## MIL-DTL-38999 Series III Type



### 871H004 Swing-Arm Flex Clamp, EMI Banding Adapter, Composite

#### MATERIAL / FINISH

Coupling nut, body, arms: thermoplastic, black  
 Screws, washers, inserts: stainless steel/ passivated  
 Anti-decoupling springs: thermoplastic  
 Banding adapter: aluminum alloy or brass  
 Band (optional): stainless steel/ passivated

#### BAND INFORMATION

Terminate cable braid to band adapter with optional pre-coiled banding strap. Glenair's Band-Master ATS® banding system provides quick, easy, cost-effective and highly reliable termination. Band is passivated stainless steel.



Shell Size	Pre-Coiled Micro Band Part No.	Pre-Coiled Slim Micro Band Part No.	Length		Max Diameter	
			in	mm	in	mm
9 - 13	<b>601-061</b>	<b>601-601</b>	8.125	206	.88	22.4
15 - 25	<b>601-065</b>	<b>601-603</b>	14.25	362	1.88	47.8

BACKSHELLS AND ACCESSORIES