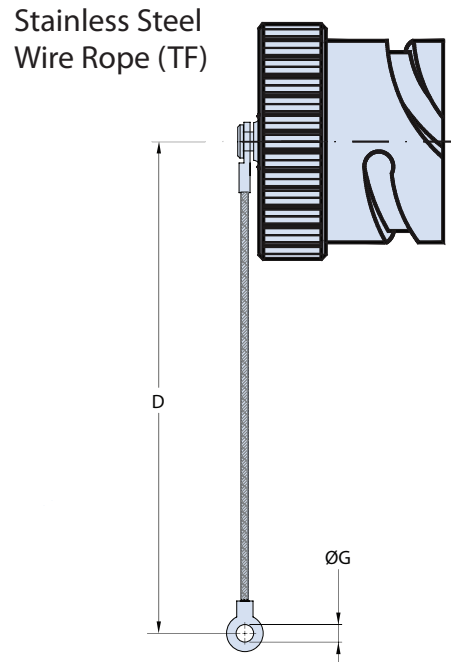
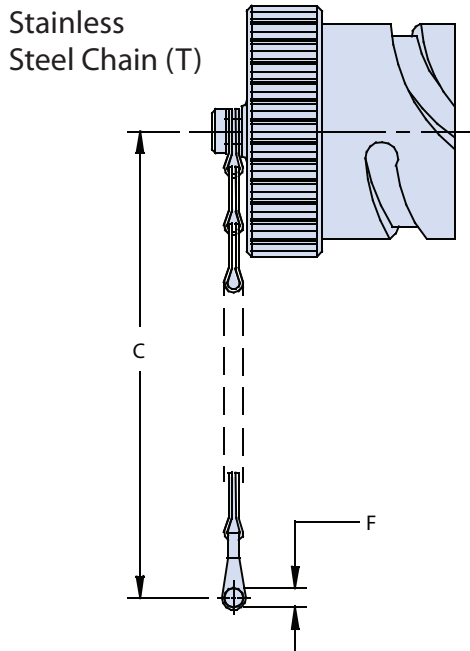




REVERSE-BAYONET QUICK-DISCONNECT ITS-NG™ Nuclear-Grade Containment Area Class 1E Connectors Accessories



PLUG (06) COVER



Sample Part Number

NGITB	06	T	-18	FK1
Series	Plug Cover	Lanyard Type	Shell Size Desig.	Material and Finish

Lanyard Type

Code	Description
T	Stainless Steel Chain
TF	Stainless Steel Wire Rope

Lanyard and Standard Ring Eyelet Diameter dimensions

Shell Size Desig.	SST Chain (Lanyard Type T)		SST Wire Rope (Lanyard Type TF)	
	Std Length (C)	Ring Eyelet Dia (F)	Std Length (D)	Ring Eyelet Dia (G)
-14S	123 (4.84)	4.3 (0.17)	193 (7.60)	4.3 (0.17)
-16S	123 (4.84)	4.3 (0.17)	193 (7.60)	4.3 (0.17)
-18	123 (4.84)	4.3 (0.17)	193 (7.60)	4.3 (0.17)
-20	138 (5.43)	4.8 (0.19)	193 (7.60)	4.3 (0.17)
-22	138 (5.43)	4.8 (0.19)	193 (7.60)	4.3 (0.17)
-24	138 (5.43)	4.8 (0.19)	193 (7.60)	4.3 (0.17)
-28	206 (8.11)	4.8 (0.19)	193 (7.60)	5.3 (0.21)
-32	206 (8.11)	5.6 (0.22)	193 (7.60)	5.3 (0.21)
-36	206 (8.11)	5.6 (0.22)	193 (7.60)	5.3 (0.21)
-40	206 (8.11)	5.6 (0.22)	193 (7.60)	5.3 (0.21)

Material and Finish

Code	Material/Finish
FK1	Stainless Steel

SUPER ITS: HARSH ENVIRONMENT

A

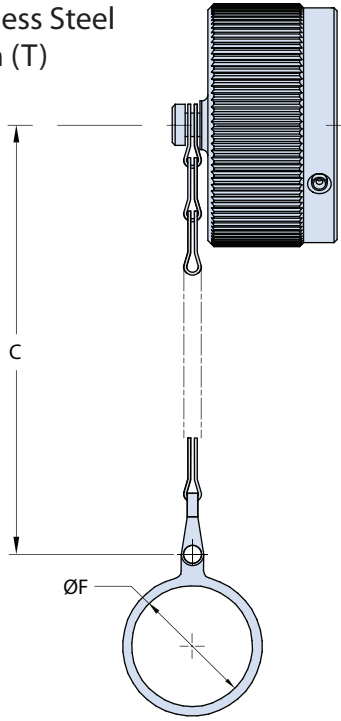


REVERSE-BAYONET QUICK-DISCONNECT ITS-NG™ Nuclear-Grade Containment Area Class 1E Connectors Accessories

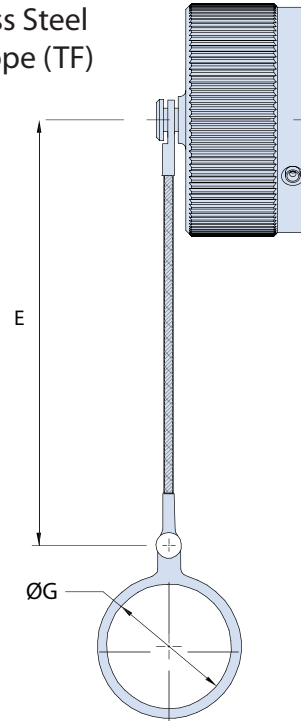


JAM-NUT (07) RECEPTACLE COVER

Stainless Steel Chain (T)



Stainless Steel Wire Rope (TF)



Sample Part Number

NGITB	07	T	-18	FK1
Series	Basic P/N	Lanyard Type	Shell Size	Material and Finish

Lanyard Type

Code	Description
T	Stainless Steel Chain
TF	Stainless Steel Wire Rope

Lanyard and Ring Attachment Dimensions

Shell Size	SST Chain (Lanyard Type T)		SST Wire Rope (Lanyard Type TF)	
	Std Length (C)	Ring Eyelet Dia (F)	Std Length (E)	Ring Eyelet Dia (G)
14S	4.764 (121)	1.142 (29.00)	8.189 (208)	1.142 (29.00)
16S	4.764 (121)	1.266 (32.15)	8.189 (208)	1.266 (32.15)
18	5.394 (137)	1.392 (35.35)	8.189 (208)	1.392 (35.35)
20	5.433 (138)	1.516 (38.50)	8.189 (208)	1.516 (38.50)
22	5.433 (138)	1.614 (41.00)	8.189 (208)	1.614 (41.00)
24	5.433 (138)	1.760 (44.70)*	8.189 (208)	1.772 (45.00)*
28	8.701 (221)	2.016 (51.20)*	8.189 (208)	2.016 (51.20)*
32	8.701 (221)	2.264 (57.50)*	8.189 (208)	2.264 (57.50)*
36	8.701 (221)	2.512 (63.80)*	8.189 (208)	2.512 (63.80)*
40	8.701 (221)	2.764 (70.20)*	8.189 (208)	2.764 (70.20)*

Material and Finish

Code	Material / Finish
FK1	Stainless Steel

SUPER ITS: HARSH ENVIRONMENT

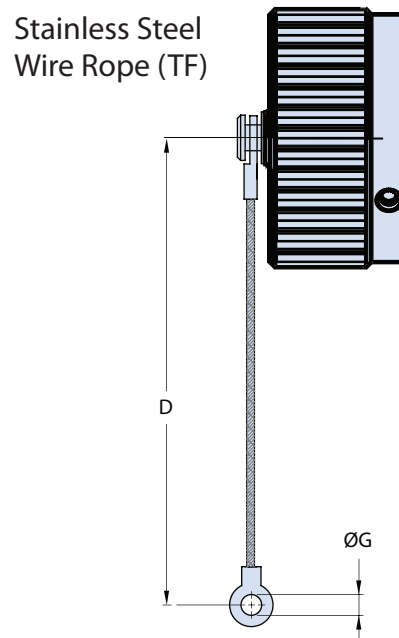
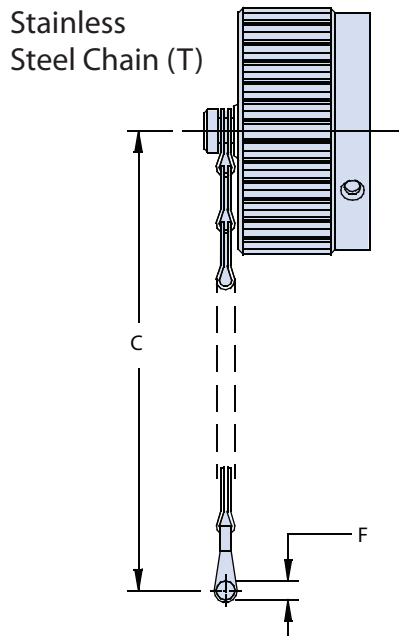
A



REVERSE-BAYONET QUICK-DISCONNECT ITS-NG™ Nuclear-Grade Containment Area Class 1E Connectors Accessories



WALL MOUNT (02) RECEPTACLE COVER



Sample Part Number				
NGITB	02	T	-18	FK1
Series	Shell Style Cover Type	Lanyard Type	Shell Size	Material and Finish

Lanyard Type	
Code	Description
T	Stainless Steel Chain
TF	Stainless Steel Wire Rope

Lanyard and Ring Attachment Dimensions				
Shell Size Desig.	SST Chain (Lanyard Type T)		SST Wire Rope (Lanyard Type TF)	
	Std Length (C)	Ring Eyelet Dia (F)	Std Length (D)	Ring Eyelet Dia (G)
-14S	108	.169 (4.3)	7.598 (193)	.169 (4.3)
-16S	108	.169 (4.3)	7.598 (193)	.169 (4.3)
-18	123	.169 (4.3)	7.598 (193)	.169 (4.3)
-20	123	.169 (4.3)	7.598 (193)	.169 (4.3)
-22	123	.169 (4.3)	7.598 (193)	.169 (4.3)
-24	123	.169 (4.3)	7.598 (193)	.169 (4.3)
-28	206	.220 (5.6)	7.598 (193)	.209 (5.3)
-32	206	.220 (5.6)	7.598 (193)	.209 (5.3)
-36	206	.220 (5.6)	7.598 (193)	.209 (5.3)
-40	206	.220 (5.6)	7.598 (193)	.209 (5.3)

Material and Finish	
Code	Material / Finish
FK1	Stainless Steel

SUPER ITS: HARSH ENVIRONMENT

A