



BATTLE-TESTED

# STAR-PAN™

## Commercial protocol cables and adapters

### COMMERCIAL PROTOCOL CABLES, ADAPTERS, AND ACCESSORIES

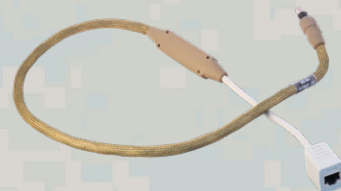
Part No. / Description	NATO Stock No. NSN		Page No.
<b>808-079</b>	<b>5995-01-682-9409</b>	USB Type A Cable	155
<b>808-145</b>	<b>5995-01-679-0913</b>	USB Type A EUD Cable	156
<b>808-053</b>	<b>5995-01-674-0054</b>	PAN Port to USB-A Cable	157
<b>808-111</b>		On-The-Go USB Adapter Cable	158
<b>TS3-033</b>		DB-9 RS-232 Cable	159
<b>808-078</b>	<b>5995-01-682-9477</b>	RJ45 Plug Cable	160
<b>808-084</b>	<b>5995-01-693-7143</b>	RJ45 Receptacle Cable	161



**USB-A host adapter cable  
(without power)**



**PAN device to USB-A  
Receptacle Adapter Cable**



**Ethernet converter cable,  
RJ45 receptacle**

BATTLE-TESTED

**STAR-PAN™**

## Commercial protocol cables, adapters, and accessories 808-079 USB Type A Cable



USB Type A Cable

### SPECIFICATIONS

- USB Type A host adapter cable, without USB VBUS
- Santoprene jacketed cable, black
- TPE overmolded, ergonomic connector strain relief, black.
- Mighty Mouse 807 (NATO standard) connector and USB-A connector
- Weight, 18" cable: 26g
- Export classification: 3A611.x

### HOW TO ORDER

<b>Sample Part Number:</b>	<b>808-079</b>	<b>-24</b>
Cable Series	USB-A Host Adapter Cable	
Length Designator	In inches. Maximum 180" <b>Omit for default length of 18.00"</b>	



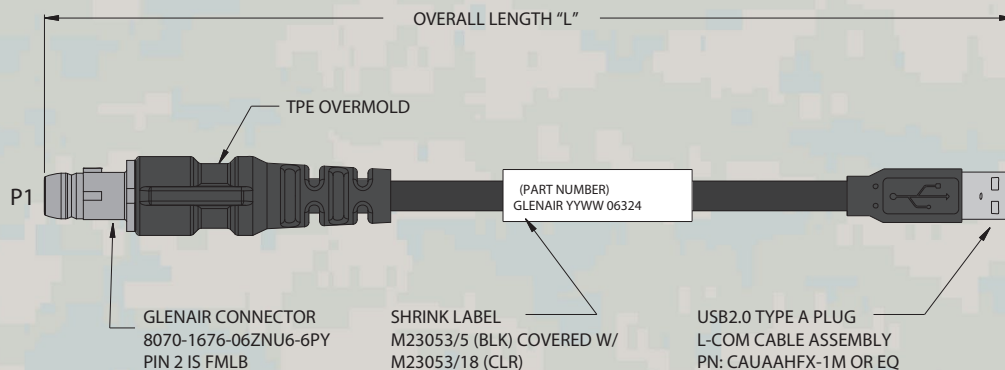
QUALIFIED FOR USE WITH ALL STAR-PAN POWER / DATA HUBS

**LIGHT, II, IV, AND VI**

HUB PORT DESIGNATOR:

**EUD**

COMMERCIAL PROTOCOL CABLES AND ADAPTERS



BATTLE-TESTED

STAR-PAN™

Commercial protocol cables, adapters, and accessories

808-145 USB Type A EUD Cable



COMMERCIAL PROTOCOL CABLES AND ADAPTERS



USB Type A EUD Cable

**SPECIFICATIONS**

- USB Type A EUD cable
- Santoprene jacketed cable, black
- TPE overmolded, ergonomic connector strain relief, black.
- Mighty Mouse 807 (NATO standard) connector and USB-A connector
- Weight, 18" cable: 26g
- Export classification: 3A611.x

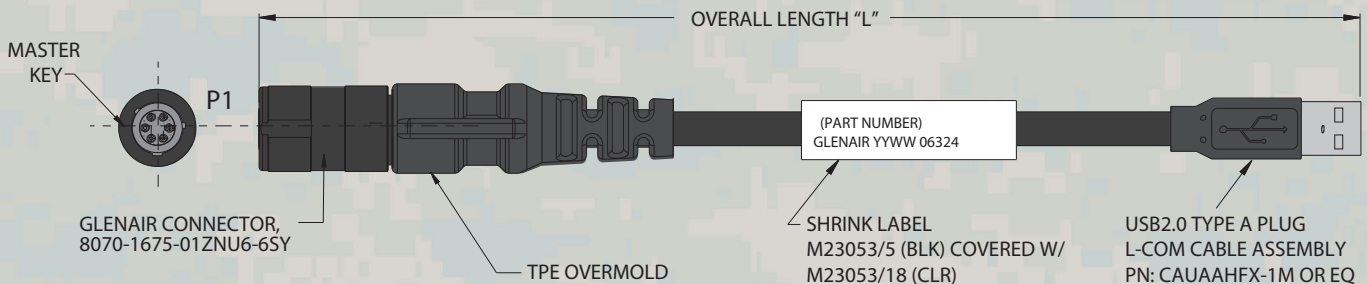
**HOW TO ORDER**

<b>Sample Part Number:</b>	<b>808-145</b>	<b>-24</b>
<b>Cable Series</b>	USB-A Host Adapter Cable	
<b>Length Designator</b>	In inches. <b>Omit for default length of 18.00"</b>	



QUALIFIED FOR USE WITH ALL STAR-PAN POWER / DATA HUBS  
**LIGHT, II, IV, AND VI**

HUB PORT DESIGNATOR:  
**EUD**





BATTLE-TESTED

**STAR-PAN™**

# Commercial protocol cables, adapters, and accessories

## 808-053 PAN Port to USB-A Cable



COMMERCIAL PROTOCOL CABLES AND ADAPTERS



Pan Port to USB-A Cable

### SPECIFICATIONS

- PAN device to USB type A receptacle adapter cable
- Santoprene jacketed cable, black
- TPE overmolded, ergonomic connector strain reliefs, black.
- Mighty Mouse 807 (NATO standard) connector and USB-A connector
- Weight, 5" cable: 18g
- Export classification: 3A611.x
- PAN port connection

### HOW TO ORDER

<b>Sample Part Number:</b>	<b>808-053</b>	<b>-12</b>
<b>Cable Series</b>	USB-A Receptacle Cable	
<b>Length Designator</b>	In inches. <b>Omit for default length of 5.00"</b>	

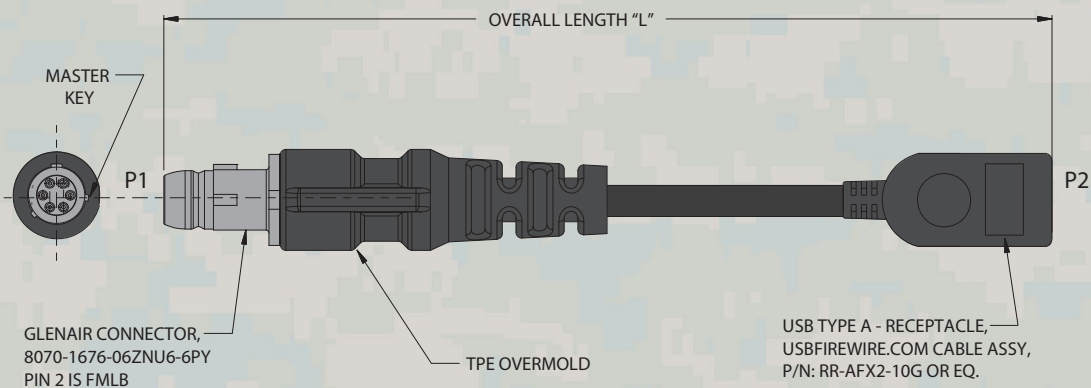


QUALIFIED FOR USE WITH ALL STAR-PAN POWER / DATA HUBS

**LIGHT, II, IV, AND VI**

HUB PORT DESIGNATOR:

**PAN**



BATTLE-TESTED

STAR-PAN™

Commercial protocol cables, adapters, and accessories  
808-111 On-The-Go USB Adapter Cable



COMMERCIAL PROTOCOL CABLES AND ADAPTERS



On-the-Go  
USB Adapter Cable

**SPECIFICATIONS**

- USB type A receptacle adapter cable
- Santoprene jacketed cable, black
- TPE overmolded, ergonomic connector strain reliefs, black.
- Mighty Mouse 807 (NATO standard) connector and USB-A connector
- Export classification: 3A611.x

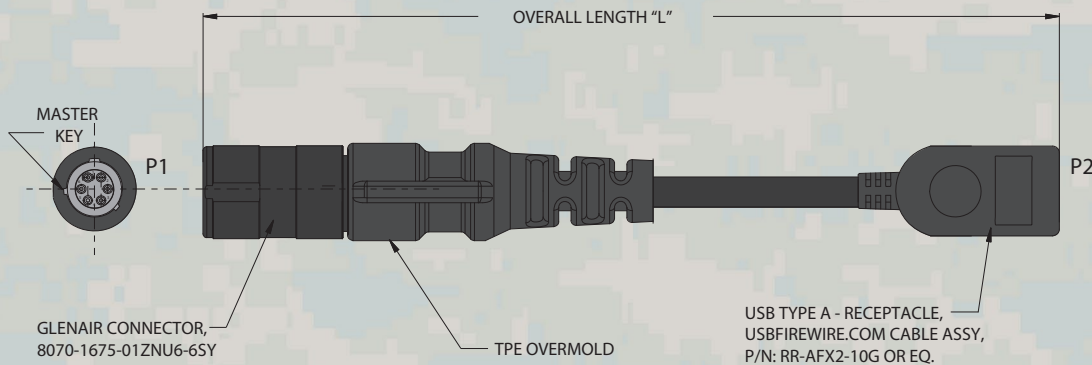
**HOW TO ORDER**

<b>Sample Part Number:</b>	<b>808-111</b>	<b>-12</b>
<b>Cable Series</b>	OTG USB Adapter Cable	
<b>Length Designator</b>	In inches. <b>Omit for default length of 5.00"</b>	



QUALIFIED FOR USE WITH ALL STAR-PAN POWER / DATA HUBS  
**LIGHT, II, IV, AND VI**

HUB PORT DESIGNATOR:  
**EUD**



BATTLE-TESTED

# STAR-PAN™

## Commercial protocol cables, adapters, and accessories

### TS3-033 DB-9 RS-232 Cable



COMMERCIAL PROTOCOL CABLES AND ADAPTERS



#### SPECIFICATIONS

- RS-232 converter cable with DB9 connector
- Polyurethane jacketed cable, black
- TPU overmolded, ergonomic connector strain relief, black.
- Mighty Mouse 807 (NATO standard) connector and RS-232 connector
- Weight, 24" cable: 88g
- PAN RS-232 to USB

DB9 RS-232 Cable

#### HOW TO ORDER

<b>Sample Part Number:</b>	<b>TS3-033</b>	<b>-32</b>
<b>Cable Series</b>	DB-9 RS-232 Cable	
<b>Length Designator</b>	In inches. <b>Omit for default length of 24.00"</b>	

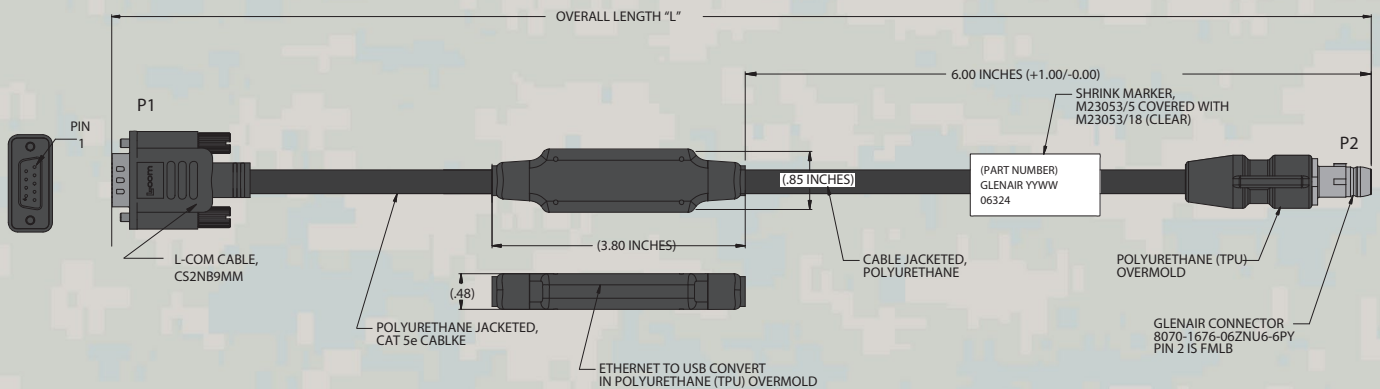


QUALIFIED FOR USE WITH ALL STAR-PAN POWER / DATA HUBS

**LIGHT, II, IV, AND VI**

HUB PORT DESIGNATOR:

**PAN**



BATTLE-TESTED

# STAR-PAN™

## Commercial protocol cables, adapters, and accessories

### 808-078 RJ45 Plug Cable



COMMERCIAL PROTOCOL CABLES AND ADAPTERS



RJ45 Plug Cable

#### SPECIFICATIONS

- CAT5e Ethernet cable with RJ45 plug
- Integrated Ethernet to USB conversion circuitry
- Santoprene jacketed cable, black
- TPE overmolded, ergonomic connector strain relief, black.
- Mighty Mouse 807 (NATO standard) connector and RJ45 connector
- Weight, 24" cable: 80g
- Export classification: 3A611.x

#### HOW TO ORDER

<b>Sample Part Number:</b>	<b>808-078</b>	<b>-32</b>
<b>Cable Series</b>	STAR-PAN RJ45 Ethernet Cable	
<b>Length Designator</b>	In inches. <b>Omit for default length of 24.00"</b>	

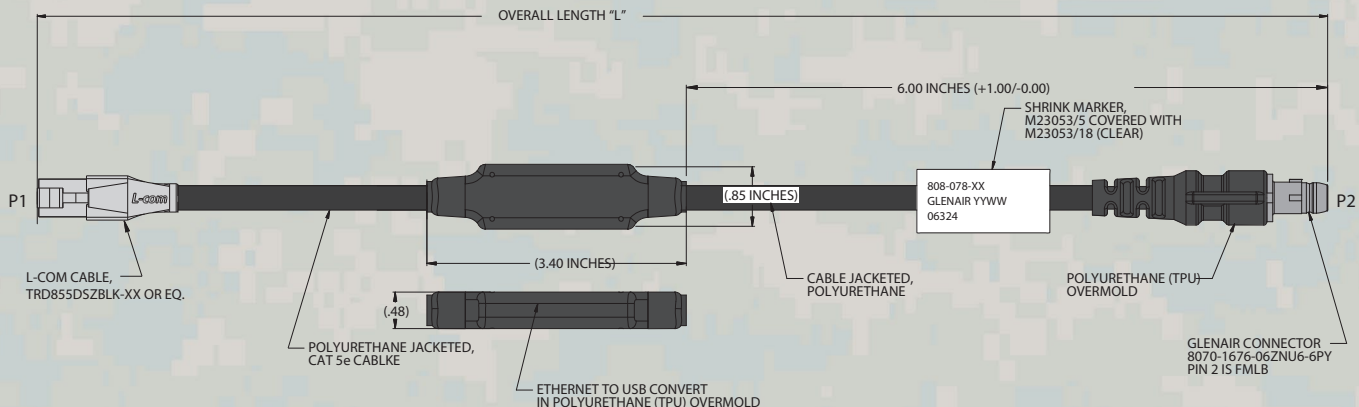


QUALIFIED FOR USE WITH ALL STAR-PAN POWER / DATA HUBS

**LIGHT, II, IV, AND VI**

HUB PORT DESIGNATOR:

**PAN**





BATTLE-TESTED

# STAR-PAN™

## Commercial protocol cables, adapters, and accessories 808-084 RJ45 Receptacle Cable



COMMERCIAL PROTOCOL CABLES AND ADAPTERS



### SPECIFICATIONS

- CAT5e Ethernet cable with RJ45 receptacle
- Integrated Ethernet to USB conversion circuitry
- Nomex braided cable, olive drab
- TPE overmolded, ergonomic connector strain relief, desert tan.
- Mighty Mouse 807 (NATO standard) connector and RJ45 connector
- Weight, 30" cable: 94g
- Export classification: 3A611.x

### RJ45 Receptacle Cable

#### HOW TO ORDER

<b>Sample Part Number:</b>	<b>808-084</b>	<b>-24</b>
<b>Cable Series</b>	RJ45 Ethernet Cable	
<b>Length Designator</b>	In inches. <b>Omit for default length of 30.00"</b>	



QUALIFIED FOR USE WITH ALL STAR-PAN POWER / DATA HUBS

**LIGHT, II, IV, AND VI**

HUB PORT DESIGNATOR:

**PAN**

