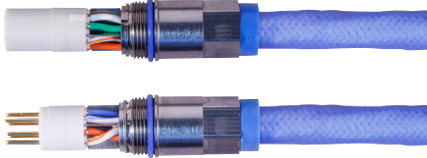


8575-0001 SpeedMaster™ Cat 6A contacts, pre-wired for use in MIL-DTL-38999 Series III type connectors



Technical Data Specifications

- Operating temperature: -65°C to +200°C (SpeedMaster) or -40°C to +85°C (RJ45); cable dependent
- Meets EIA/TIA 568C.2-10 and IEC 60603-7-51 Cat 6A 500 MHz
- Characteristic Impedance: 100 ohms
- Insulation resistance: 200 megohms min.
- Durability: 500 mating cycles

SpeedMaster Construction

- Isolator body:** copper alloy/electroless nickel
- Contacts:** copper alloy, gold plated
- Retention ferrule and shield ferrule:** copper alloy/electroless nickel
- Insulator:** rigid plastic/N.A.
- O-rings/grommets:** fluorosilicone blend/N.A.

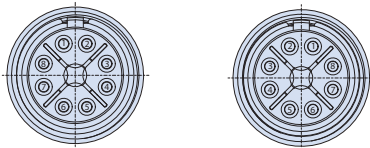
RJ45 Construction

- Body:** UL 94-V0 polycarbonate
- Grommet:** UL 94-V0 polycarbonate
- Contacts:** copper alloy, 50 microinches selective gold plating
- Shield:** nickel-plated copper alloy

Connector Compatibility

- Glenair 824-009 and -010 Mighty Mouse
- Glenair 280-098 thru -103 HiPer-D
- Glenair 233-219 SuperNine

Contact Positions



Mating Face of Pin Contacts

Mating Face of Socket Contacts

Notes

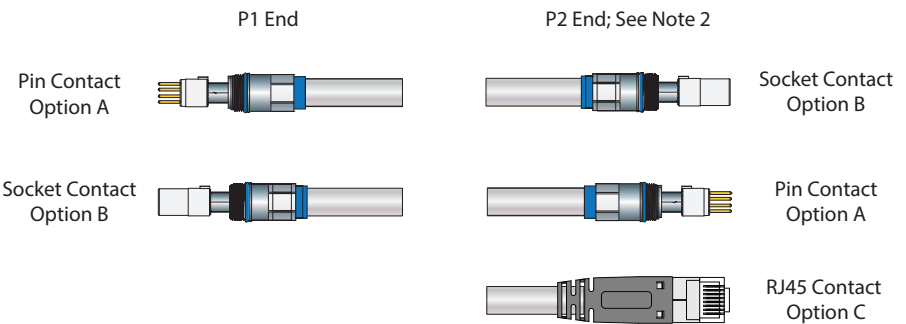
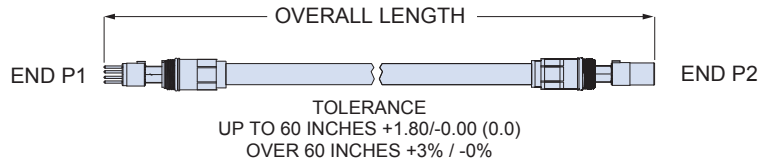
- 100% tested for continuity, DWV and IR.
- Not available in pin to pin or socket to socket configurations..

Pre-wired SpeedMaster assemblies are 100% tested and ready for use. For use with Series 23 SuperNine connectors with keyed size #8 cavities, these assemblies are available with three termination options: single-ended SpeedMaster contacts on one end, SpeedMaster contacts on both ends, or SpeedMaster contact on one end and RJ45 plug on the other end.

858-102 is superseded by 8575-0001

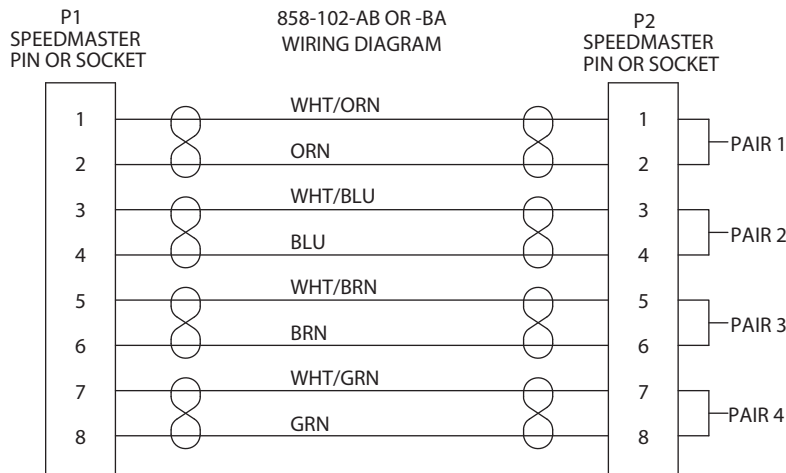
Part Number Development					
Sample Part Number	8575-0001	-A	C	-1	-12
Product	8575-0001				
End A Contact Type*	-A = 858-101-X SpeedMaster pin -B = 858-100-X SpeedMaster socket				
End B Contact/Connector*	A = SpeedMaster pin B = SpeedMaster socket C = RJ45 plug N = No connector				
Cable Option	-1 = 963-003-24 -5 = 963-033-24		-2 = 963-003-26 -6 = 963-033-26 -4 = 963-037		
Length	Overall length in inches				

* Not available in pin to pin or socket to socket configurations

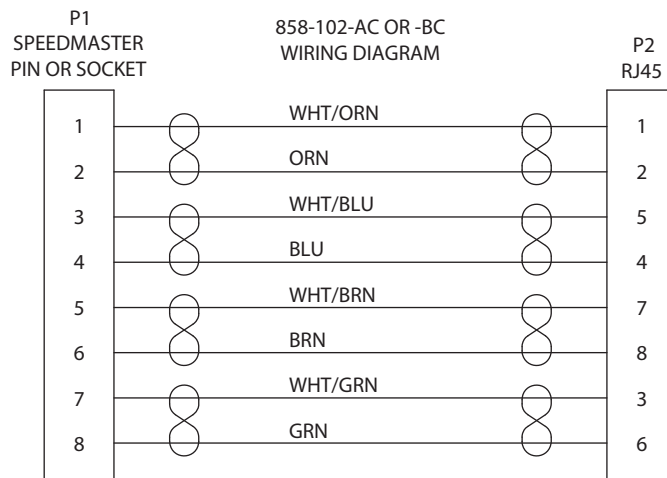


8575-0001 SpeedMaster™ Cat 6A contacts, pre-wired for use in MIL-DTL-38999 Series III type connectors

8575-0001 SPEEDMASTER™ WIRING DIAGRAMS



SPEEDMASTER TO SPEEDMASTER IS 1 TO 1.
MUST BE PIN TO SOCKET OR SOCKET TO PIN
OMIT P2 FOR 858-102-AN OR -BN



SPEEDMASTER PIN OR SOCKET TO RJ45 PLUG