

064-001

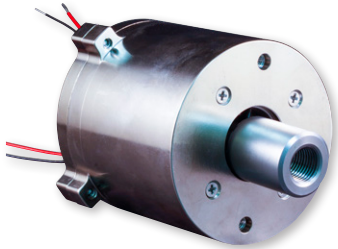
Heavy-duty hold-down release mechanisms

12,500 lb. release preload
Redundant circuit

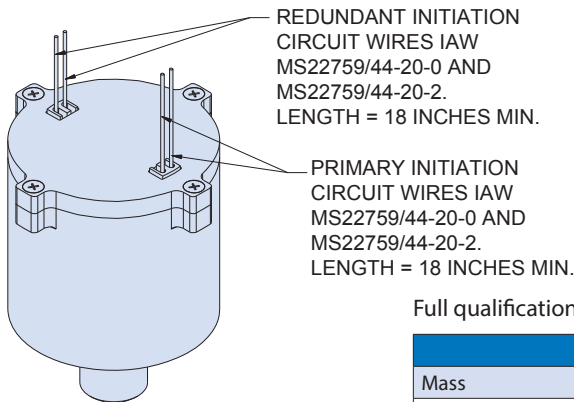
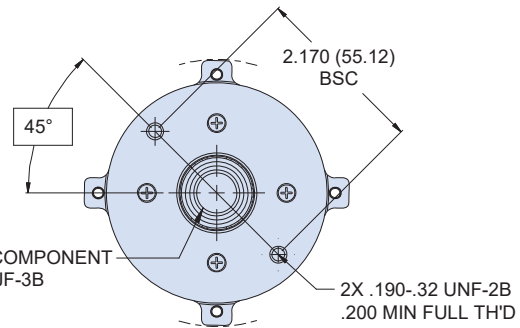
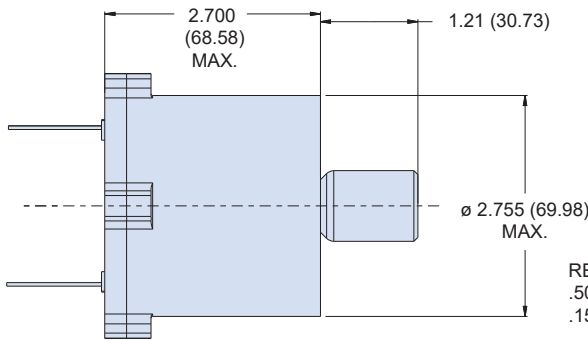


A

ELECTRICALLY REDUNDANT HOLD DOWN RELEASE MECHANISM, HEAVY-DUTY



How To Order		
Sample Part No.	064	-001
Basic Part No.	Heavy-Duty HDRM	
Dash No.	Redundant Circuit	



Available 069-401 mechanical release for use in place of refurbishment initiator. Consult factory for application notes.

Full qualification pending. Design and dimensions are subject to change.

NOTES

- Unit is identified with Glenair name, CAGE code, part number, and date code, space permitting. Primary initiation circuit identified with "P" and redundant with "R".
- Release preload 12,500 lbs. (55.6 kN)
- Full qualification pending
- Reference Glenair P/N 060-401 for refurbishment initiator
- Metric threads available, consult factory for options

Physical characteristics	
Mass	870.4 grams nominal weight
Bolt	.500-20 UNJF-3B*
Material list	IAW MSFC-STD-3029
Epoxy	Outgassing requirements per GSC19384
Device features	
Redundant initiation	2 initiation points
Field refurbishable	Initiator can be replaced in less than 15 minutes by trained personnel
Reliability prediction	0.9999995 (based off scaled design)
Packaging	External housing typically supplied with two mounting points. Custom housings and mountings available
Connectorization	Standard design supplied with wire inputs. Connectorized versions available
Scalable bolt size	Bolt size determines preload and can be scaled to accommodate a wide range of requirements
*Size callout based on the bolt size to be used. Metric thread also available. Consult factory for complete test report	

064-001

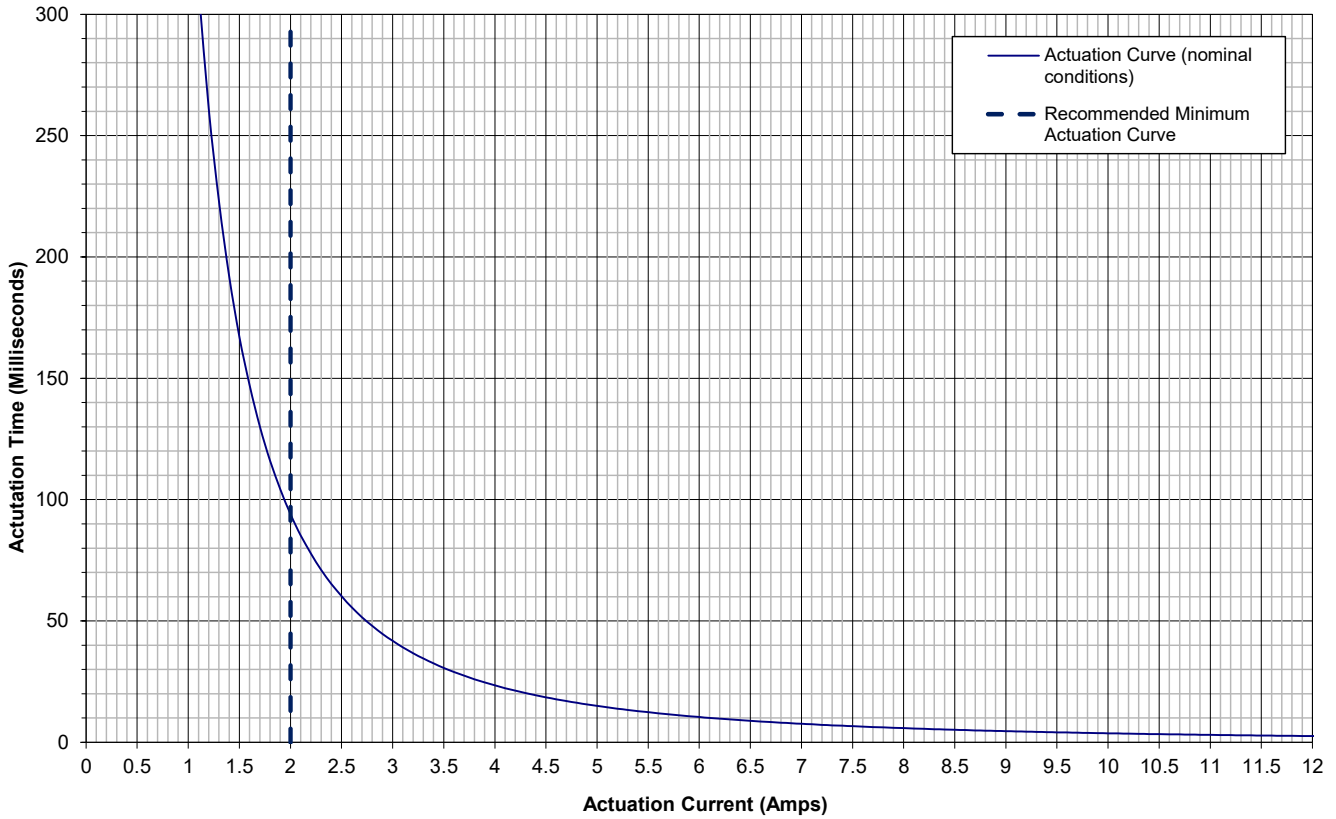
Heavy-duty hold-down release mechanisms

12,500 lb. release preload

Actuation curve



Actuation Curve for Heavy Duty Mechanism
(nominal conditions)



A