

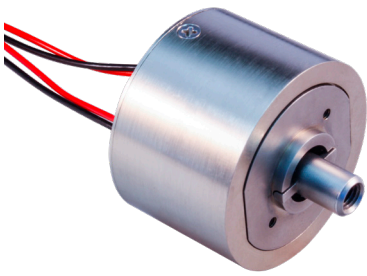
061-005

# Medium-duty hold-down release mechanism

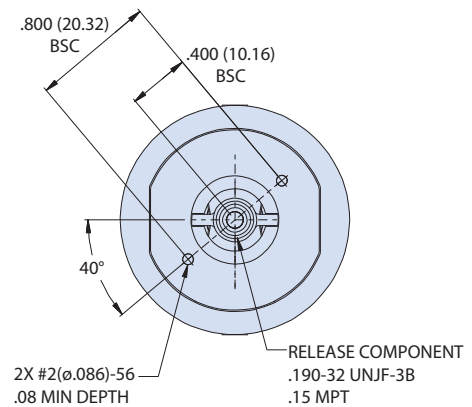
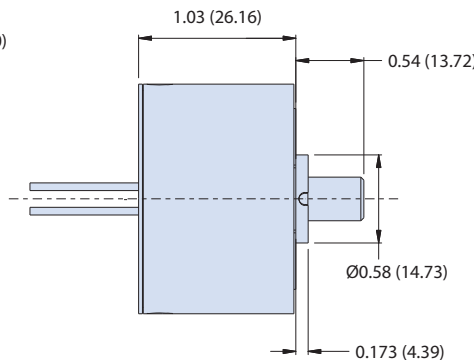
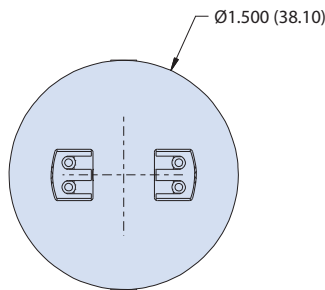
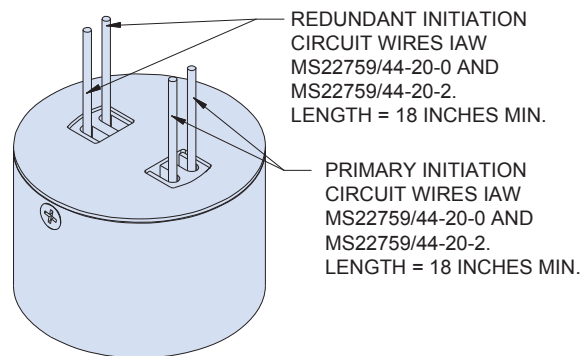
2500 lb. release preload  
Redundant circuit



## ELECTRICALLY REDUNDANT HOLD DOWN RELEASE MECHANISM, MEDIUM-DUTY



How To Order		
Sample Part No.	061	-005
Basic Part No.	Medium-Duty HDRM	
Dash No.	Redundant Circuit	



### NOTES

- Unit is identified with Glenair name, CAGE code, part number, and date code, space permitting. Primary initiation circuit identified with "P" and redundant with "R".
- Release preload 2500 lbs. (11.1 kN)
- Reference Glenair P/N 060-105 for refurbishment initiator
- Nominal actuation current 3.5 Amps
- Qualification test report available
- See 061-023 for metric thread version
- Mechanical release version available, consult factory

Physical characteristics	
Mass	85.1 grams nominal weight
Release component thread	0.190-32 UNJF-3B*
Material list	IAW MSFC-STD-3029
Epoxy	Outgassing requirements per GSC19384
Device features	
Redundant initiation	2 initiation points
Field refurbishable	Initiator can be replaced in less than 15 minutes by trained personnel
Reliability prediction	0.9999994
Packaging	External housing typically supplied with two mounting points. Custom housings and mountings available
Connectorization	Standard design supplied with wire inputs. Connectorized versions available
Scalable bolt size	Bolt size determines preload and can be scaled to accommodate a wide range of requirements
*Size callout based on the bolt size to be used. Metric thread also available. Consult factory for qualification test report.	

061-005

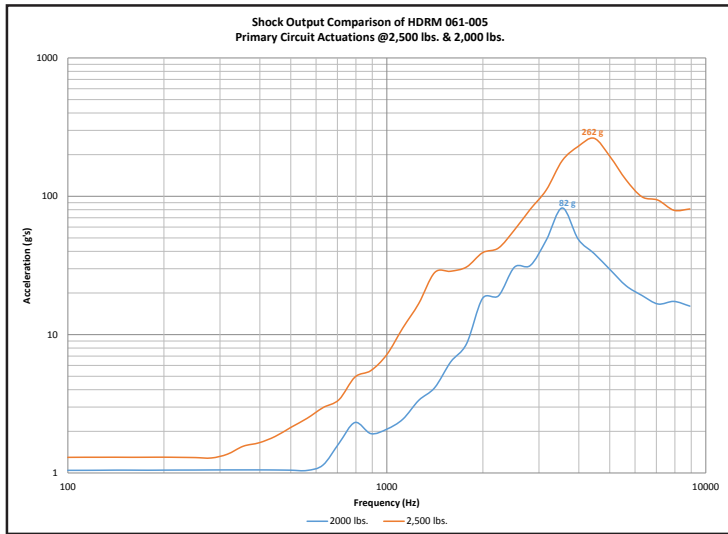
# Medium-duty hold-down release mechanism



2500 lb. release preload

## Summary of qualification test data

A



Tested Capability for 061-005	
Nominal Release Preload	2,250 pounds
Proof Preload	2,500 pounds
Ultimate Load	3,250 pounds
Electrical Resistance	1.5 ohms max
Sine Vibration 3 orthogonal axes	25 G's
Random Vibration 3 orthogonal axes	50.9 G <sub>rms</sub>
Actuation Time	Under 100 ms @3.5 Amps
Shock Input	2,849 G's
Source Shock	Under 300 G's @2,500 pounds
Life Test	10 refurbishments during qualification and an expected continued usage
Temperature	-150°C to +150°C released in a vacuum (1x10 <sup>-6</sup> Torr)
Extended Preload	<4.0% loss

