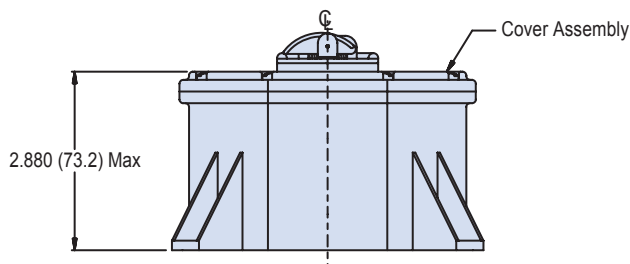


**FIGURE 1 TOP VIEW**

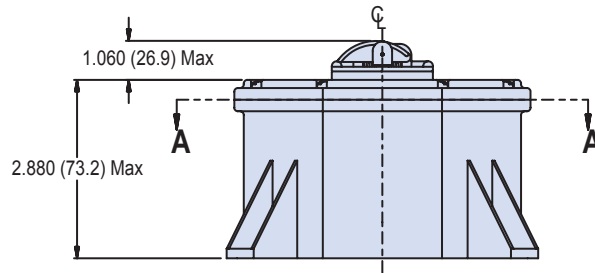
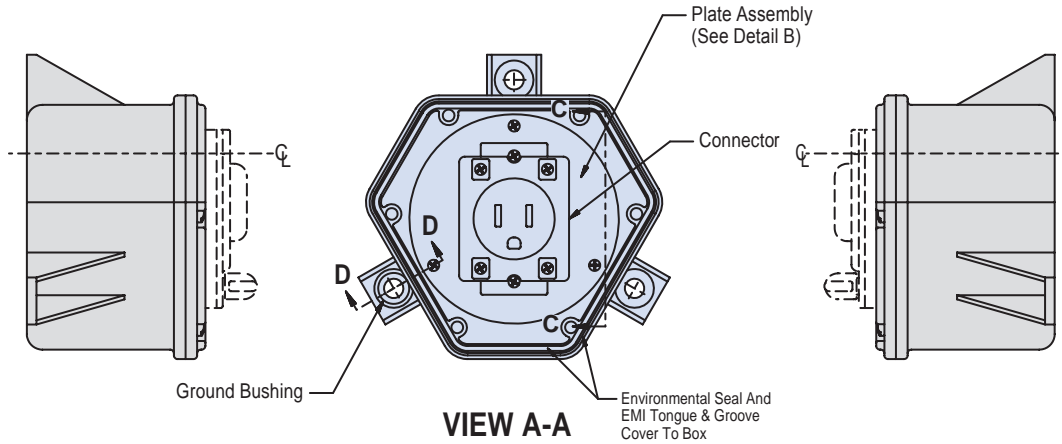


E

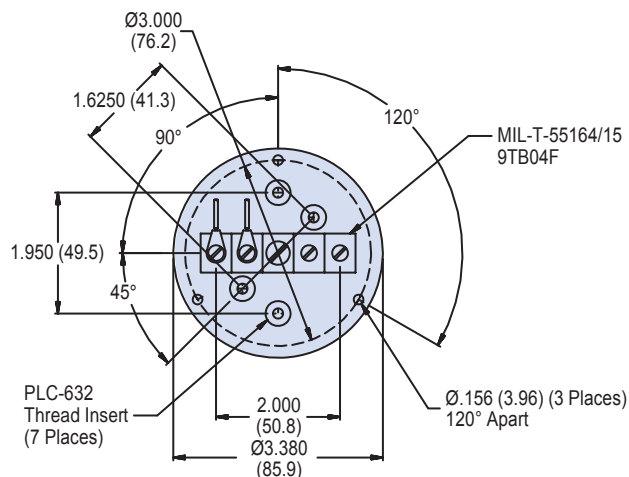
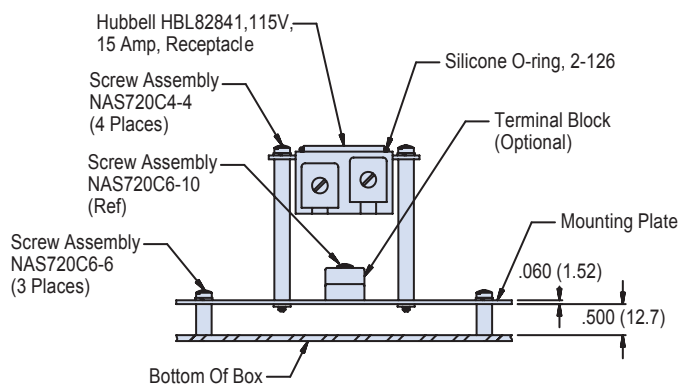
**147-023XMS-01**  
**(NSN: 5940-01-557-2645)**  
**15 Amp, 115 V Blade Type Receptacle Composite Box**  
**Grounded • Size 4.3 x 4.8 x 2.9**



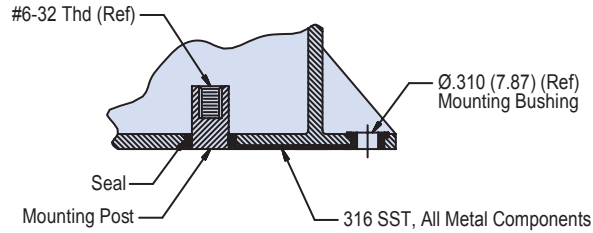
Junction  
Boxes



**E**

**DETAIL B****VIEW C-C****APPLICATION NOTES**

1. Assembly identified with manufacturer's code identification number (Glenair, part number and date code).
2. Color may be subject to fading, however UV exposure will not affect material physical properties.
3. Assembly is similar to symbol part numbers and require installation in accordance with NAVSEA drawing 803-6983506.
4. Material / Finish:  
 Box, cover - Thermoplastic grey color/see Table I.  
 Hardware - 316 SST/passivate.  
 Seals and gaskets - Silicone/N.A.  
 Mounting Plate - 300 series SST/passivate.
5. Metric dimensions (mm) are indicated in parentheses.
6. Not for use with thread collar receptacle, see 147-023XMS-02.



**SECTION D-D**

**Electrical Ground Through Internal  
 Mounting Post To External Mounting Bushing**

**TABLE I: Finish**

Symbol	Description
<b>XMS</b>	Internal Surfaces - Electroless Nickel Exterior Surfaces - Unplated Light Grey Color
<b>XO</b>	No Plating

**TABLE II: Replacement Parts**

Item	Part Number	Description	Material
1	140-065XMS-13	Cover Assembly	Grey Thermoplastic
2	687-499-2	Cover Screw Assembly	316 SST/Passivate
3	687-305Z132	Mounting Plate Assembly	300 Series SST
4	630-038XO-04K	1/8 Turn Flop Lid	Grey Thermoplastic
5	HBL8284I	Electrical Connector	N/A