

M28840/16 Plug Connector



MIL-DTL
28840

Military
Designator

Shell Size

Contact Style
P, S, F, G, D or E

M28840/16

A

G

1

P

1

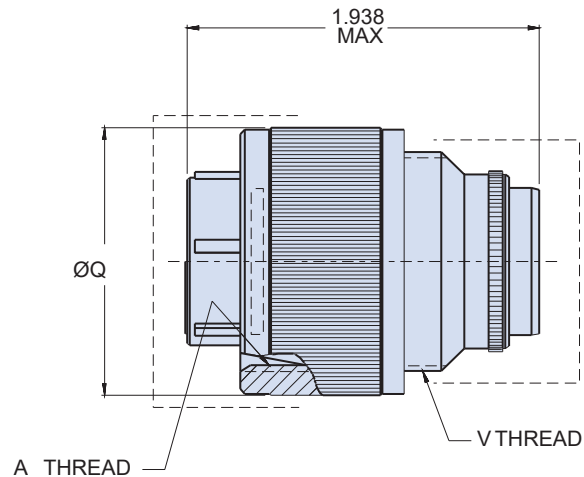
Material and Finish

- A* - Class D: Aluminum, Cadmium Plate, O.D. over Electroless Nickel
- B* - Class DS: Corrosion Resistant Steel, Cadmium Plate, Black
- L* - Class T: Aluminum, Tin-Zinc Plate over Electroless Nickel, Non-Reflective

Insert
Arrangement

Key Position
1, 2, 3, 4, 5 and 6

B



Designator	A Thread Class 2B	V Thread Class 2A	Ø Q Max.
A (11)	.750-1P-.2L-DS	3/4-20 UNEF	1.028 (26.11)
B (13)	.875-1P-.2L-DS	7/8-20 UNEF	1.141 (28.98)
C (15)	1.062-1P-.2L-DS	1-20 UNEF	1.263 (32.08)
D (17)	1.125-1P-.2L-DS	1 1/8-18 UNEF	1.387 (35.23)
E (19)	1.312-1P-.2L-DS	1 1/4-18 UNEF	1.513 (38.43)
F (23)	1.500-1P-.2L-DS	1 7/16-18 UNEF	1.703 (43.26)
G (25)	1.625-1P-.2L-DS	1 9/16-18 UNEF	1.825 (46.36)
H (29)	1.812-1P-.2L-DS	1 7/8-16 UN	2.143 (54.43)
J (33)	2.000-1P-.2L-DS	2 1/16-16 UNS	2.329 (59.16)