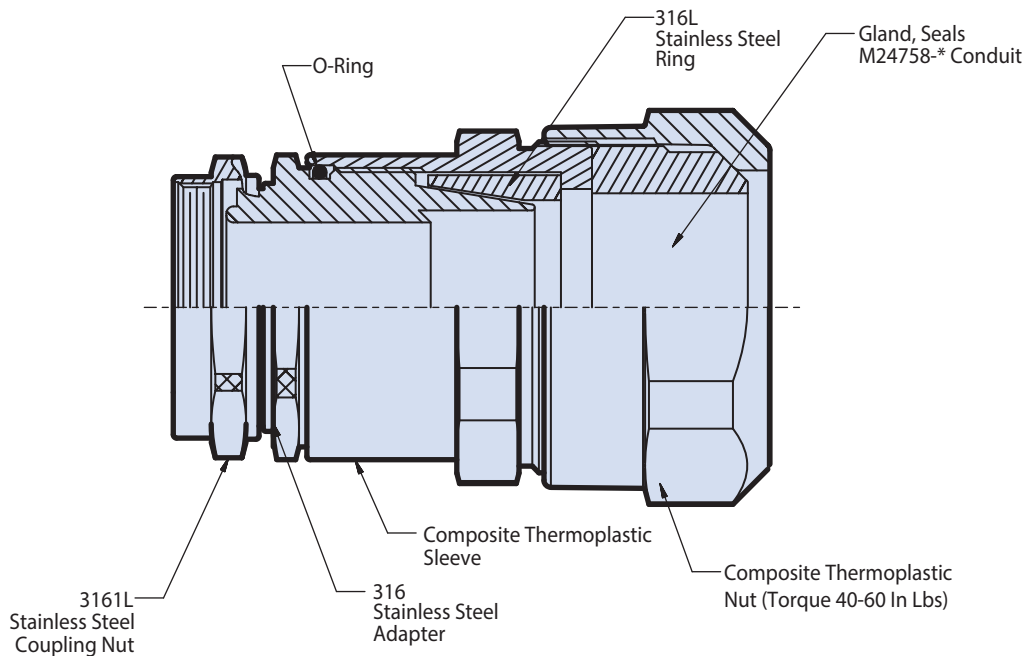


A

**A Marriage of Lightweight
Composite Thermoplastic
and Stainless Steel
Provides About
40% Weight Reduction
on a Select Group of
Qualified MIL-PRF-24758A (SH)
Conduit Fitting Styles and Sizes**



Typical Distribution of Materials
Comprising the New Ultra-Lightweight
MIL-PRF-24758A(SH)
Conduit Fittings

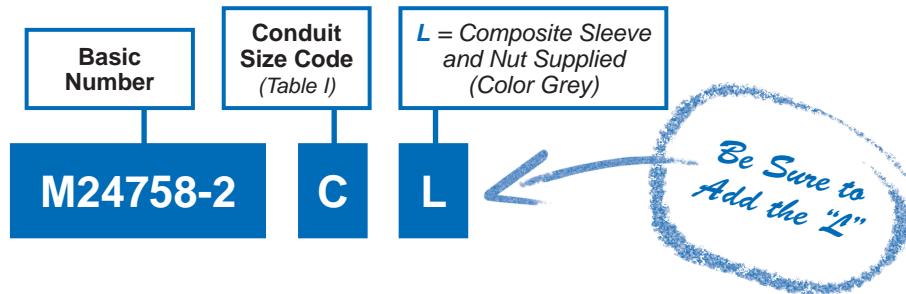
**Now Available: New Ultra-Lightweight
Qualified MIL-PRF-24758A(SH) Conduit Fittings
About 40% Weight Reduction • Select Styles and Sizes**



MIL-PRF
24758A

*How to Order
the Qualified New Ultra-Lightweight
MIL-PRF-24758 A(SH) Conduit Fittings*

A



**The New Ultra-Lightweight MIL-PRF-24758A(SH)
Conduit Fittings are available
ONLY IN THE FOLLOWING DASH NUMBERS AND SIZE CODES:**

DASH NUMBERS:

-2L, -3L, 4L, 5L, 6L, 7L, 8L, 39L, 40L, 41L, 43L, 44L, 45L, 46L, 47L, 48L, 52L, 53L, 54L, 56L, 57L

SIZE CODES:

A, B, C, D, E, J, K

Materials / Finish:

Adapter, Coupling Nut and Ring – 316L Stainless Steel/
Nickel Plating, Grey Color.

Sleeve and Nut – Composite Thermoplastic/Grey Color

O-Ring and Gland – Silicone Rubber/N.A.