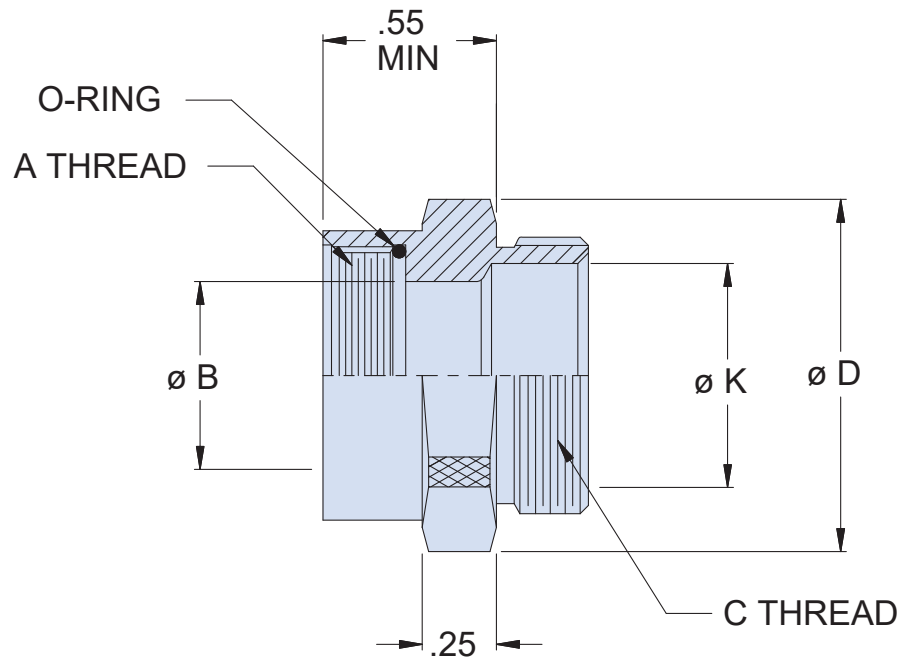
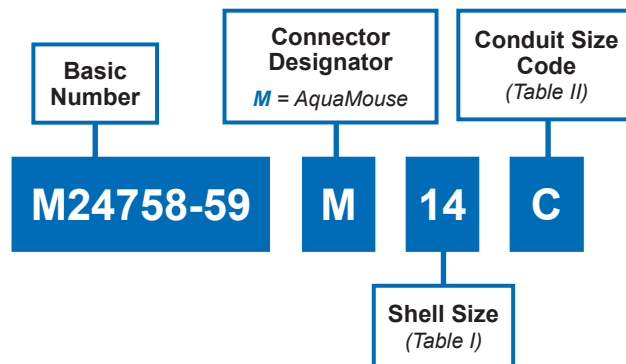


MIL-PRF-24758-59
Adapter for Series 802 AquaMouse Connectors
To M24758-2, -3, or -4 Conduit Fittings

A



MIL-PRF-24758-59
Adapter for Series 802 AquaMouse Connectors
To M24758-2, -3, or -4 Conduit Fittings



MIL-PRF
24758A

A

TABLE I: Shell Size, Thread, Dimensions and Max Conduit Size Code

SHELL SIZE	A THREAD CLASS - 2B	B DIA REF	D DIA MAX	MAX CONDUIT SIZE CODE SEE NOTE 3
05	1/4-32 UNEF	.172 (4.37)	.87 (22.10)	J
06	5/16-32 UNEF	.234 (5.94)		
07	7/16-28 UNEF	.312 (7.92)	1.02 (25.91)	B
08	1/2-28 UNEF	.375 (9.52)		
09	9/16-24 UNEF	.438 (11.13)	1.16 (29.46)	K
10	5/8-24 UNEF	.500 (12.70)		
12	11/16-24 UNEF	.594 (15.09)	1.31 (33.27)	C
14	7/8-20 UNEF	.750 (19.05)	1.67 (42.42)	D
15	15/16-20 UNEF	.812 (20.62)		
21	1 1/4-18 UNEF	1.062 (26.97)	2.18 (55.37)	F

TABLE II: Conduit Size Code

CONDUIT SIZE CODE	C CLASS - 2A THREAD	K DIA MIN
A	.438-28 UNEF	.245 (6.22)
B	.688-24 UNEF	.495 (12.57)
C	.938-20 UNEF	.745 (18.92)
D	1.250-18 UNEF	.995 (25.27)
E	1.563-18 UNEF	1.245 (31.62)
F	1.875-16 UN	1.495 (37.97)
J	.563-24 UNEF	.370 (9.40)
K	.813-20 UNEF	.620 (15.75)

APPLICATION NOTES

1. Assembly identified with manufacturer's code, name and part number, and classification code 490.
2. M24758-59 adapts Series 802 AquaMouse connectors to M24758-2, M24758-3, or M24758-4 conduit fittings.
3. Consult factory for availability when Max Conduit Size Code is exceeded.
4. Material / Finish:
Adapter - 316L SST/Electroless Nickel, matte finish
O-Ring - Silicone/N.A.
5. Metric dimensions (mm) are indicated in parentheses.